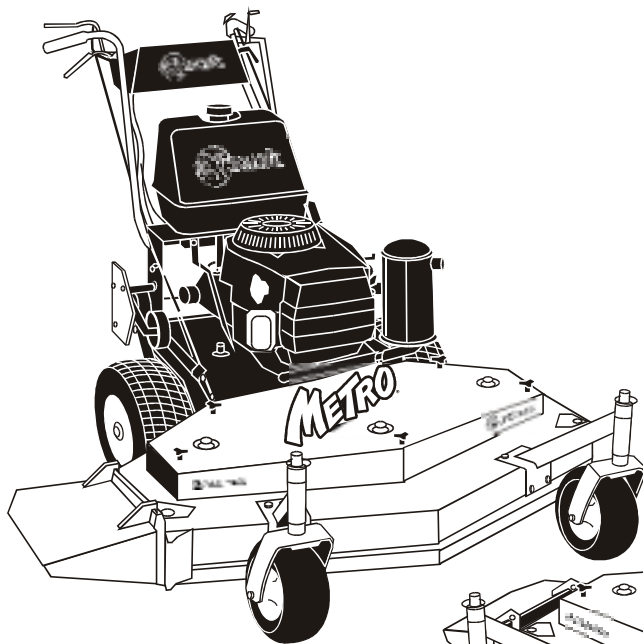
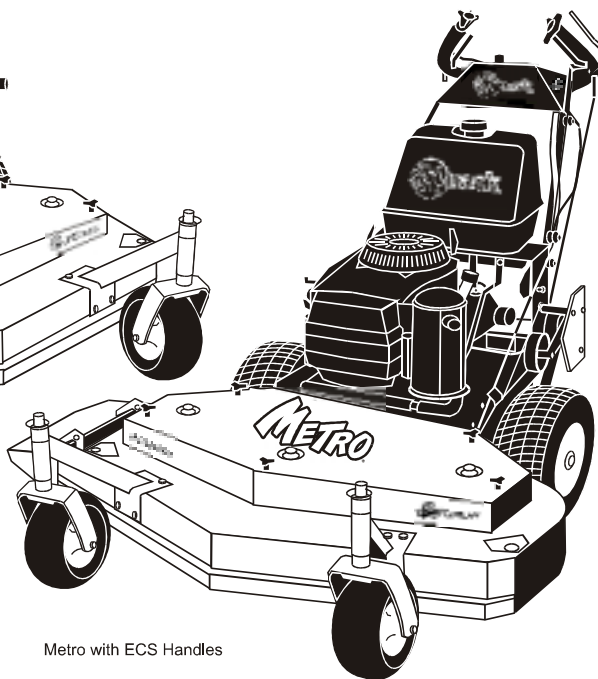


For Serial Nos.
370,000 & Higher



Metro with Pistol Grip Handles



Metro with ECS Handles

PARTS MANUAL

METRO[®]

CONGRATULATIONS on the purchase of your new Exmark mower. This product has been carefully designed and manufactured to give you a maximum amount of dependability and years of trouble-free operation. If additional information is needed, or should you require trained mechanic service, contact your authorized Exmark equipment dealer or distributor. If you need to order replacement parts from your dealer, always give the model number and serial number of your mower as well as the part number, description and quantity of the part needed.

The Serial No. plate is located on the top front engine frame on the right hand side of the machine. For ease of ordering and reference, we suggest that you record the information requested in the following identification table.

Place Model No. and Serial No. Label Here
(Included in Literature Pack)
or Fill in Below

Model No. _____

Serial No. _____

Engine Model No. and Spec. No. (Code) _____

Engine Serial No. (E/No) _____

Date Purchased _____

Part No. 103-3635

EXMARK PARTS PLUS® PROGRAM

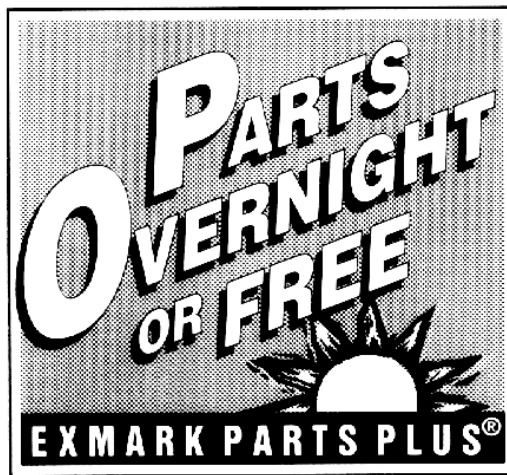
EFFECTIVE DATE: September 1, 1995

Program

If your Exmark dealer does not have the Exmark part in stock, Exmark will get the parts to the dealer the next business day or the part will be FREE* Guaranteed!!

How the Program Works

1. If dealer does not have part in stock for a "down" unit at the time of request by customer, the dealer contacts his distributor by 1:00 p.m., local time, and requests Exmark Parts Plus® shipment of six (6) line items or less.
2. Distributor ships part(s) to dealer or customer, as requested by dealer, same day, overnight UPS. Distributor bills dealer for part and freight charges where applicable.
3. If distributor does not have the part(s) in stock to satisfy Exmark Parts Plus® order, he contacts Exmark by 3:00 p.m., central time, with an Exmark Parts Plus® order of six (6) line items or less.
4. If order is received by 3:00 p.m. central time, Exmark ships part(s) direct to dealer or customer, as requested by distributor, same day, overnight UPS. Exmark bills the distributor for parts and shipping charges, where applicable.
5. The customer pays for the part and freight if it is shipped under the Exmark Parts Plus® and if it arrive in accordance to the program.
6. Who pays for the part and freight if it fails to arrive overnight in accordance to the program?
 - A. Under any circumstance the customer does not pay.
 - B. If the part does not arrive overnight due to:
 1. The dealer not submitting the Exmark Parts Plus® order to his Exmark distributor by 1:00 p.m., the dealer pays for the part and freight.
 2. The Distributor being unable to ship the part the same day or not submitting the Exmark Parts Plus® order to Exmark by 3:00 p.m., central time, the Distributor pays for the part and freight.
 3. Exmark being unable to ship the part and the Exmark parts order is received by 3:00 p.m., central time, Exmark pays for the part and freight.
 4. If the part does not arrive overnight due to the shipper (UPS), the shipper pays for the freight and Exmark pays for the part.



The following restrictions apply -- The Exmark Parts Plus® Program is available only through participating Exmark Dealers and applies only to orders submitted on this program Monday through Thursday. Parts Plus service is available only in the 48 contiguous United States. UPS has initiated a Saturday delivery program to many areas of the continental United States and can be requested for an overnight shipment on Friday to be delivered Saturday. The next day air charge, plus the Saturday delivery fee will be the responsibility of the purchaser. Exmark Mfg. will assume no responsibility for Saturday delivery shipments. To qualify, all Exmark Parts Plus® orders must be received by Exmark by 3:00 p.m., central time. Orders must be six (6) line items or less. Exclusions from the Exmark Parts Plus® Program are: Any wholegood or accessory in its entirety, engines and engine replacement parts, 5-speed Peerless transmissions and 5-speed transaxles, hydraulic or hydrostatic wheel motors, cutter decks and engine decks or any item exceeding United Parcel Service size and weight restrictions.

Due to UPS restrictions, aerosol spray paint is considered a hazardous material and cannot be shipped via UPS next day or Second Day Air.

Exmark Manufacturing stocks a limited supply of parts for transaxles, pumps and wheel motors. These parts can be ordered for Next Day Air shipment but will not be guaranteed per the Parts Plus Program.

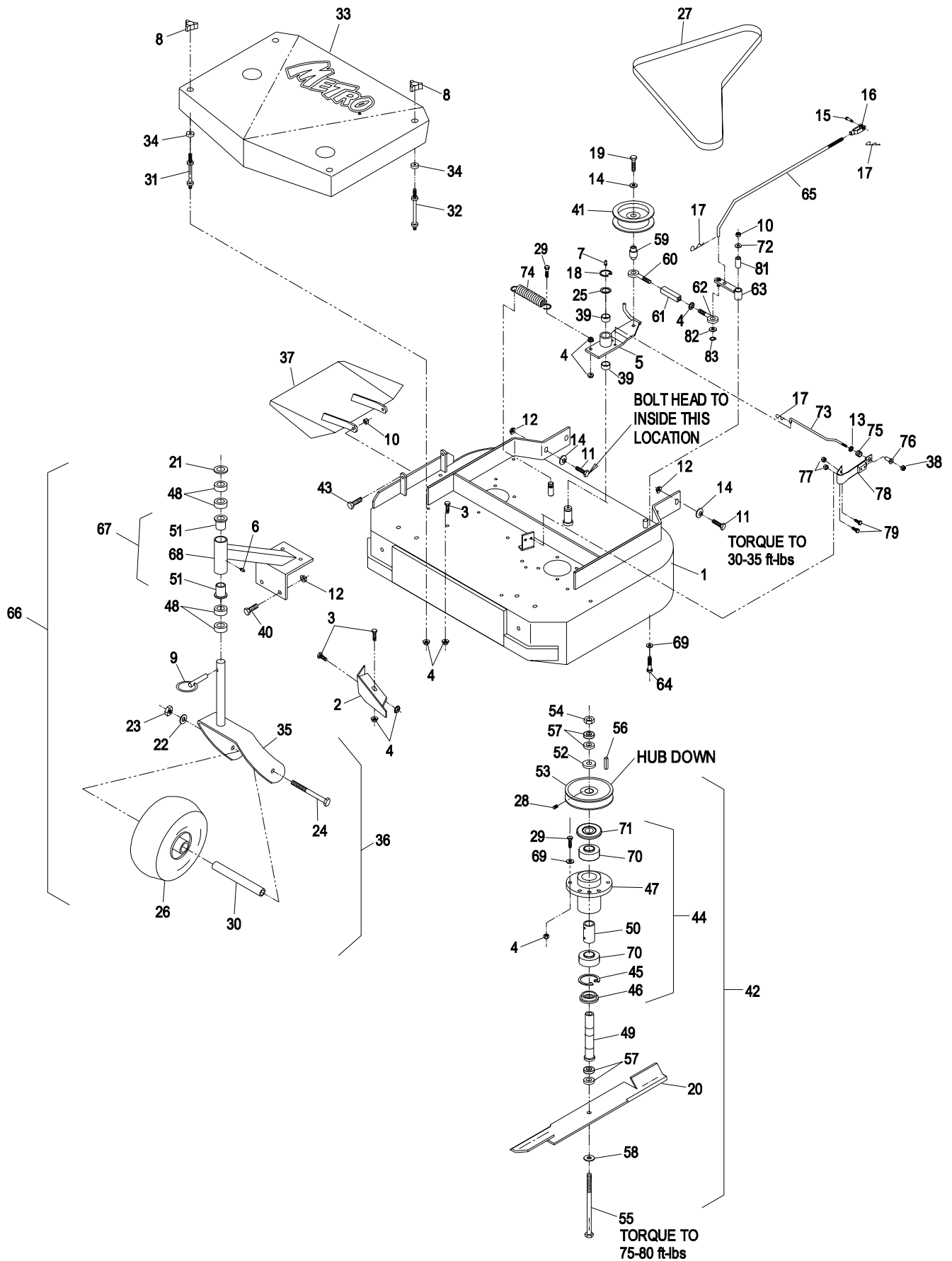


**READ OPERATOR'S MANUAL BEFORE
OPERATING OR SERVICING EXMARK EQUIPMENT.**

TABLE OF CONTENTS

<u>Description</u>	<u>Page</u>
Decals.....	14
Engine Deck Group.....	6 - 9
48" Mower Deck	4 - 5
32" and 36" Mower Deck	2 - 3
Upper Handles & Controls, ECS.....	12 - 13
Upper Handles & Controls, Pistol Grip.....	10 - 11
Wiring Diagrams	15

32" and 36" MOWER DECK

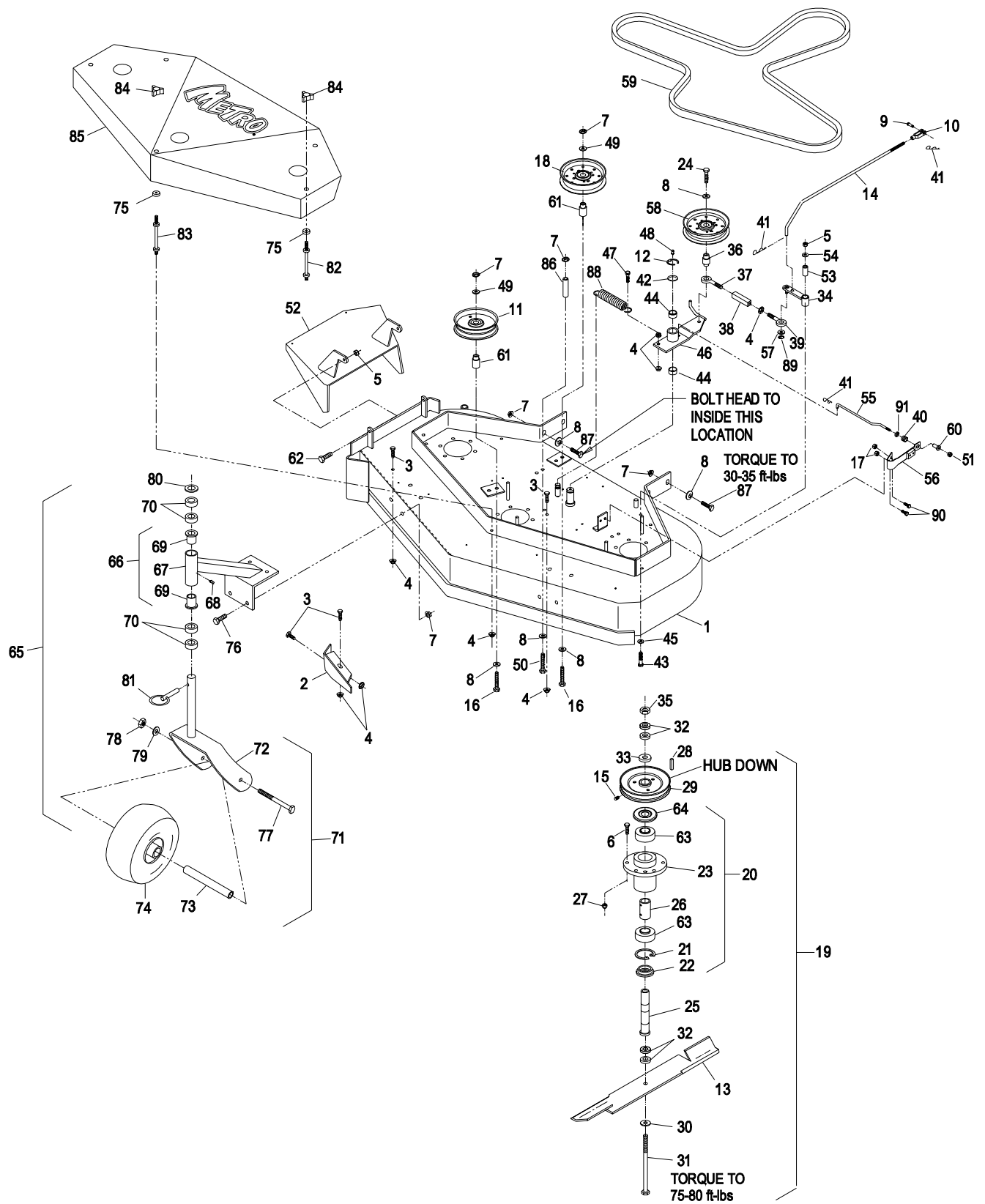


32" and 36" MOWER DECK

Ref. No.	Part No.	Description	Qty. Req'd.	Ref. No.	Part No.	Description	Qty. Req'd.
1	103-2312	Deck (103-2307-01) w/decals & dogleg(36")	1	39	1-323729	Powder metal bearing	2
	103-2313	Deck (103-2301-01) w/decals & dogleg (32")	1	40	323-4	3/8-16 x 3/4 HH capscrew	8
2	1-302189-01	Baffle wldmnt, dogleg	1	41	1-603843	Idler pulley (heavy duty).....	1
3	322-2	Screw, 5/16-18 x 5/8	7	42	103-2555	Cutter Housing Complete	2
4	32128-20	5/16-18 Whizlock nut.....	22	43	322-5	5/16-18 x 1 HH capscrew.....	2
5	103-3600	Engagmt. arm w/bushing.....	1	44	103-2547	Cutter housing assembly.....	2
6	302-52	Grease Zerk, 1/8 NPT straight.....	2	45	32120-8	Retaining ring.....	2
7	302-19	Grease Zerk, 1/4-28 straight.....	1	46	103-2535	Spacer	2
8	1-323385	Knob, belt cover.....	4	47	1-323532	Cutter housing.....	2
9	1-809020	Quick pin, 10" caster	2	48	1-303314	Spacer, 10" caster.....	8
10	3296-29	5/16-18 Nyloc hex nut.....	3	49+	1-323529	Tube, spindle	2
11	323-8	3/8-16 x 1 1/2 HH capscrew	6	50	103-2534	Spacer	2
12	3290-357	3/8-16 whizlock nut.....	14	51	1-303514	Flange , thrust bearing	4
13	1-323748	Ring, push-on 7/16	1	52	1-323339	Retaining washer, sheave.....	2
14	98-5975	3/8 Disc spring washer	7	53+	1-403183	Pulley	2
15	1-808280	5/16 x 1 Clevis pin	1	54	3219-6	5/8-18 UNF hex nut.....	2
16	1-303105	Yoke	1	55	1-800861	5/8-18 x 8 HH Capscrw (Gr 5).....	2
17	1-806003	Cotter hairpin.....	3	56	1-807267	Key, 1/4 x 3/16 x 1 1/4.....	2
18	32151-103	E-Ring for .875 rd.	1	57	1-323539	Spacer, blade drive	8
19	702809	3/8-16 x 1 7/8 capscrew.....	1	58	1-513208	5/8 Spring disc washer.....	2
20	103-2528	Blade, Notched (36")	2	59	1-303434	Engagement bushing.....	1
•	103-2518	Blade, Mulching (36")	2	60	1-303348	Eye bolt (left hand thread).....	1
	103-2508	Blade, Low Lift (36") optional.....	2	61	1-303236	Turnbuckle body	1
	103-1578	Blade, Solid (36")	2	62	1-303238	Eye bolt (right hand thread)	1
	103-2527	Blade, Notched (32")	2	63	1-322235	Assist arm	1
•	103-2517	Blade, Mulching (32")	2	64	322-10	Screw, 5/16-18 X 2	1
	103-2507	Blade, Low Lift (32") optional.....	2	65	1-323303	Assist arm linkage.....	1
	103-1577	Blade, Solid (32")	2	66◇	103-1238	Caster/mount, complete.....	2
21	1-513338	Washer, special.....	2	▲	103-2281	Caster/mount, complete.....	2
22	3253-7	1/2 spring lockwasher.....	2	67◇	1-302203	Caster whl support w/bearings.....	2
23	3217-9	1/2-13 Hex nut.....	2	▲	103-2296	Caster whl support w/bearings,weighted .	2
24	325-20	1/2-13 x 6 HH capscrew	2	68◇	1-302194-01	Caster whl support wldmnt.....	2
25	1-303352	Washer, spindle.....	1	▲	103-2297-01	Caster whl support wldmnt,weighted.....	2
26	103-1224	Tire & Wheel Asm	2	69	1-303334	5/16 Spring disc washer.....	9
	1-513809	Roller bearing.....	1	70+	103-2477	Bearing	4
	103-2170	Bushing.....	2	71+	103-1330	Guard,Bearing top	2
27	1-323733	Drive belt (to blades) 36" Model.....	1	72	3256-3	Wshr, flat std 5/16.....	1
	1-323734	Drive belt, (to blades) 32" Model.....	1	73	1-323715	Rod, brake 36"	1
28◆	1-803310	Setscrew, 5/16-18 x 3/8.....	2		1-323718	Rod, brake 32"	1
29	322-6	5/16-18 x 1 1/4 HH capscrew	9	74	1-323071	Spring.....	1
30	103-2169	Spacer, front caster.....	2	75	1-323747	Spring, compression.....	1
31	1-303537	Stud, belt shield (short).....	2	76	1-323746	Spacer, flanged	1
32	1-303536	Stud, belt shield (long).....	2	77	3296-42	Nut, nyloc 1/4 - 20.....	2
33	1-324208	Shield (1-302213-01) w/decals, 36".....	1	78	1-324372	Pad/spring assy	1
	1-324194	Shield (1-322149-01) w/decals, 32".....	1	79	321-4	Screw, HHCap 1/4-20 X 3/4.....	2
34	1-323417	Washer, belt cover mount	4	81	1-403179	Tube, pivot	1
35	1-322145-01	Fork wldmnt, caster	2	82	3256-23	Wshr, flt SAE 5/16	1
36	103-1236	Caster wheel assembly.....	2	83	32120-35	E-ring	1
37	1-302233-01	Chute.....	1	84☆	103-2171	Kit,semi-pneumatic whl replacement	2
38	3296-56	Nut,nyloc 1/4-20 thin	1				

- ◆ Use Pro-lock Nut Type (p/n 1-840022 .5 ml tube) on the setscrews
- Requires installation of Micro-Mulch accessory for proper mulching. Mulch kit P/N's MK322(32") or MK362(36")
- ☆ Kit 103-2171 used to install semi-pneumatic casters on machines originally fitted with pneumatic casters. Includes 103-1224 & 103-2169. Order 2 per machine.
- ▲ Models with ECS handles only
- ◇ Models with Standard pistol grip handles only
- ✚ Apply Mobil HTS grease (or a food-grade antisieze) between the spindles & bearings, spindles & sheaves, and under top bearing guard. DO NOT use a copper or nickel based antisieze.
- Exmark red touch up spray paint - P/N 1-850337

48" MOWER DECK

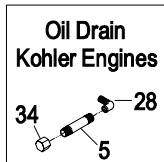
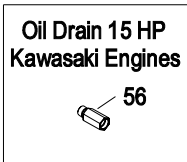
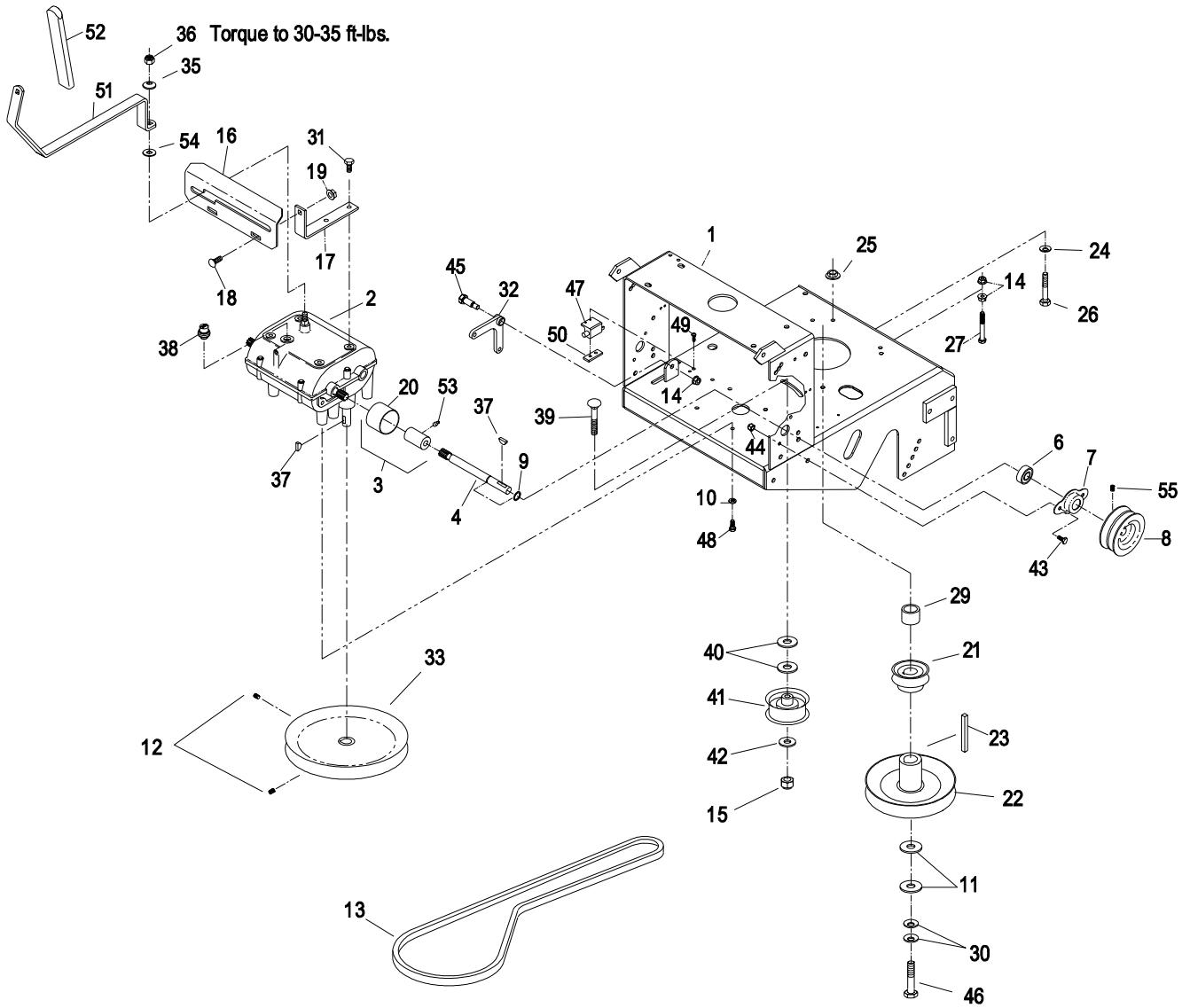


48" MOWER DECK

Ref. No.	Part No.	Description	Qty. Req'd.	Ref. No.	Part No.	Description	Qty. Req'd.
1	1-404257	Deck (1-402108-01)w/decals & dogleg....	1	47	322-6	5/16-18 1 1/4 HH capscrew	1
2	1-402107-01	Baffle, dogleg	1	48	302-19	Zerk 1/4-28 strt	1
3	322-2	5/16-18 x 5/8 HH capscrew	4	49	3256-24	3/8 Flatwasher	2
4	32128-20	5/16-18 Whizlock nut.....	12	50	323-20	3/8-16 x 3 1/4 HH capscrew	1
5	3296-29	5/16-18 Nyloc hex nut	3	51	3296-56	Nut, nyloc 1/4-20 thin	1
6	323-7	3/8-16 x 1 1/4 HH capscrew	18	52	1-402106-01	Chute wldmt	1
7	3290-357	3/8-16 whizlock nut	17	53	1-403179	Tube, pivot	1
8	98-5975	3/8 disc spring washer	10	54	3256-3	Washer, Flat Std 5/16.....	1
9	1-808280	5/16 x 1 Clevis pin.....	1	55	1-323714	Rod brake 48" LH	1
10	1-303105	Yoke	1	56	1-324372	Pad/spring assy	1
11	1-613098	Idler pulley "V"	1	57	3256-23	5/16 SAE flat washer	1
12	32151-103	E-Ring for .875 rd.	1	58	1-603843	Pulley, idler (heavy duty).....	1
13	103-2527	Blade, Notched (48").....	3	59	1-403174	Drive belt (main deck) 48".....	1
•	103-2517	Blade, mulching (48")	3	60	1-323746	Spacer, flanged	1
	103-2507	Blade, Low Lift (48") optional.....	3	61	1-403184	Bushing	2
	103-1577	Blade, Solid (48")	3	62	322-5	5/16-18 x 1 HH capscrew	2
14	1-323303	Assist arm linkage.....	1	63+	103-2477	Bearing	3
15♦	1-803310	Setscrew, 5/16-18 x 3/8	3	64+	103-1330	Guard,Bearing top.....	3
16	323-13	3/8-16 x 2 3/4 HH capscrew	2	65■	103-1238	Caster/mount, complete	2
17	3296-42	Nut, nyloc 1/4 - 20.....	2	◇	103-2281	Caster/mount, complete	2
18	1-403186	Idler pulley	1	66■	1-302203	Caster whl support w/bearings.....	2
19	103-2555	Cutter Housing Complete	3	◇	103-2296	Caster whl support w/bearings,weighted ...	2
20	103-2547	Housing, w/brg, spacer, and ring.....	3	67■	1-302194-01	Caster wheel support wldmnt	2
21	32120-8	Retaining ring	3	◇	103-2297-01	Caster wheel support wldmnt,weighted	2
22	103-2535	Spacer	3	68	302-52	Grease zerk, 1/8 N.P.T.....	2
23	1-323532	Cutter housing	3	69	1-303514	Flange, thrust bearing.....	4
24	702809	3/8-16 x 1 7/8 HH Capscrew	1	70	1-303314	Spacer, 10" caster	8
25+	1-323529	Cutter spindle tube	3	71	103-1236	Caster wheel assembly.....	2
26	103-2534	Spacer	3	72	1-322145-01	Fork wldmnt, caster	2
27	3296-39	Nut, nylock 3/8-16	18	73	103-2169	Spacer, front caster	2
28	1-807267	Key, 1/4 x 3/16 x 1 1/4	3	74	103-1224	Tire & Wheel Asm.....	2
29+	1-403183	Pulley	3		1-513809	Roller bearing.....	2
30	1-513208	5/8 Spring disc washer	3		103-2170	Bushing	4
31	1-800861	5/8-18x8 HH Capscrew(Gr5)	3	75	1-323417	Washer, belt cover mount.....	5
32	1-323539	Spacer, blade drive.....	12	76	323-4	3/8-16 x 3/4 HH capscrew	8
33	1-323339	Washer, retainer (sheave).....	3	77	325-20	1/2-13 x 6 HH capscrew	2
34▽	1-322230	Assist arm (48").....	1	78	3217-9	1/2-13 Hex nut	2
▲	1-322235	Assist arm	1	79	3253-7	1/2 spring lockwasher.....	2
35	3219-6	5/8-18 UNF hex nut	3	80	1-513338	Washer, special	2
36	1-303434	Engagement bushing.....	1	81	1-809020	Quick pin, 10" caster.....	2
37	1-303348	Eye bolt (left hand thread)	1	82	1-303537	Stud, belt shield (short).....	2
38	1-303236	Turnbuckle body	1	83	1-303536	Stud, belt shield (long).....	3
39	1-303238	Eye bolt (right hand thread)	1	84	1-323385	Knob, belt cover.....	5
40	1-323747	Spring, compression	1	85	1-404238	Shield (1-402100-01)w/decals 48"	1
41	1-806003	Cotter hairpin.....	3	86	1-403188	Spacer, belt guide	1
42	1-303352	Washer, spindle	1	87	323-8	3/8-16 x 1 1/2 HH capscrew.....	6
43	322-10	Screw, 5/16-18 X 2.....	1	88	1-323071	Spring 5sp/dr idler	1
44	1-323729	Powder metal bearing.....	2	89	32120-35	E - ring	1
45	1-303334	Washer, Spring Disc 5/16.....	1	90	321-4	1/4-20 X 3/4 HH capscrew.....	2
46▽	1-402109	Engagement. arm w/bushings (48").....	1	91	1-323748	Ring, push-on 7/16.....	1
▲	103-3600	Engagement. arm w/bushings	1	92☆	103-2171	Kit,semi-pneumatic whl replacement....	1

- ♦ Use Pro-lock Nut Type (p/n 1-840022 .5 ml tube) on the setscrews
- Requires installation of Micro-Mulch accessory for proper mulching. Mulch kit P/N's MK483
- ☆ Kit 103-2171 used to install semi-pneumatic casters on machines originally fitted with pneumatic casters. Includes 103-1224 & 103-2169. Order 2 per machine.
- ◇ For units with ECS handles only.
- For units with Standard pistol grip handles only.
- + Apply Mobil HTS grease (or a food-grade antisieze) between the spindles & bearings, spindles & sheaves, and under top bearing guard. DO NOT use a copper or nickel based antisieze.
Exmark red touch up spray paint - P/N 1-850337
- ▽ This component is required for units with S/N 378,077 and lower.
- ▲ This component is required for units with S/N 378,078 and higher.

ENGINE DECK GROUP



ENGINE DECK GROUP

Ref. No.	Part No.	Description	Qty. Req'd.	Ref. No.	Part No.	Description	Qty. Req'd.	
1	103-3499	Rear deck (103-2923-01) w/decals....	1	28▲●	1-303431	St. Elbow (brass) 3/8 NPT.....	1	
2	1-323500	Transmission	1	29	1-633453	Spacer,tube.....	1	
3	1-324340	Coupling, w/guard and zerk.....	2	30	1-603610	Washer,disc spring	2	
4	1-323502	Output shaft, transmission.....	2			(15 HP Kaw & All Koh)		
5▲●	1-323326	Nipple (galvanized) 3/8 NPT x 3.0.....	1		98-5975	Washer,disc spring (12.5 HP Kaw) ..	1	
6∇	1-323252	Shaft bearing, transmission.....	2	31	9264964	5/16-18 x 3/4 Tapping screw	4	
7	1-323254	Bearing flange, trans shaft	2	32	1-303186	Bell crank.....	1	
8∇	1-323257-03	Sheave, 3 1/4" (36"&48").....	2	33∇	1-323278	Sheave, transmission drive	1	
	∇	1-323363-03	Sheave, 3 1/4" (32")	2	34●	Cap (hex) 3/8 NPT	1	
9	32151-62	Retaining ring	2	35	98-5975	3/8 Spring disc washer.....	1	
10	1-805005	5/16 spring lockwasher.....	4	36	3296-6	3/8-24 Hex nylock nut	1	
11	1-373034	Washer, flat.....	2	37	3257-5	3/16 x 3/4 Woodruff key	3	
12◇	3245-41	1/4-20 x 3/8 Cuppoint setscrew.....	2	38	1-303282	Neutral switch.....	1	
13	1-323280	Belt, transmission.....	1	39	3231-6	3/8-16 x 2 Carriage bolt, SSN	1	
14	3290-357	3/8-16 Whizlock nut.....	3	40	3256-5	7/16 Std. Flatwasher	2	
15	3296-39	3/8-16 Nyloc nut.....	1	41	1-323285	Idler pulley, transmission drive.....	1	
16	103-3498	Shifter plate (1-323387-03) w/decals .	1	42	3256-24	3/8 SAE flatwasher.....	1	
17	1-323389-03	Leg, shifter lever.....	2	43	321-3	1/4-20 x 5/8 HH capscrew	4	
18	3230-1	5/16-18 x 3/4 Carriage bolt.....	2	44	3296-42	1/4-20 Nyloc nut	4	
19	32128-20	5/16-18 Whizlock nut	2	45	1-603403	1/2 x 1 Shoulder bolt	1	
20	51-4220	Guard coupler	2	46◇	3212-6	Screw,7/16-20x1 1/2	1	
21∇	103-1666	Sheave, trans. drive, 2 3/4"	1			(15 HP Kaw & All Kohler)		
22∇	103-1668	Pulley,blade drive (6.71")(36")	1	◇	33115-035	Screw,M10x1.5x35 (12.5 HP Kaw)...	1	
	∇	103-1667	Pulley,blade drive(7.33")(32"&48")....	1	47	1-513051	Blade engagement switch	1
23	5-1336	Key,1/4 sq x 2.....	1	48	322-3	5/16-18 x 3/4 HH capscrew	4	
24	1-303334	5/16 disc spring washer.....	4	49	3290-500	10-24 x 5/8 Pan Hd.....	2	
25	32128-20	5/16-18 Whizlock nut.....	4	50	1-633181	Plate, tapped	1	
		(15 HP Kaw Engine)		51	103-1606	Shift lever,w/grip.....	1	
26*	322-7	5/16-18 x 1 1/2 HH capscrew	4	52	103-1733	Foam grip	1	
		(15 HP Kaw)		53	302-19	1/4-28 Grease zerk (straight)	2	
*	33114-025	M8-1.25 x 25mm HH capscrew	4	54	1-323379	Washer, shifter lever	1	
		(12.5 HP Kaw & All Kohler)		55◇	1-803310	5/16-18 x 3/8 Cuppoint setscrew.....	2	
27	323-13	3/8-16x2 3/4 HH Capscrew	1	56	103-2587	Adapter, oil drain (15 HP Kaw).....	1	

◇ Use Pro-lock (Nut type) Part No. 1-840022 (.5ml tube) on setscrew threads and on sheave retaining bolt in engine crankshaft.

∇ Apply anti-seize compound to bore of blade drive and transmission drive pulleys on engine, drive pulley on transmission, and bearings and sheaves on transmission output shafts.

▲ Use Teflon Pipe Sealant (or equivalent) on all pipe threads, except cap.

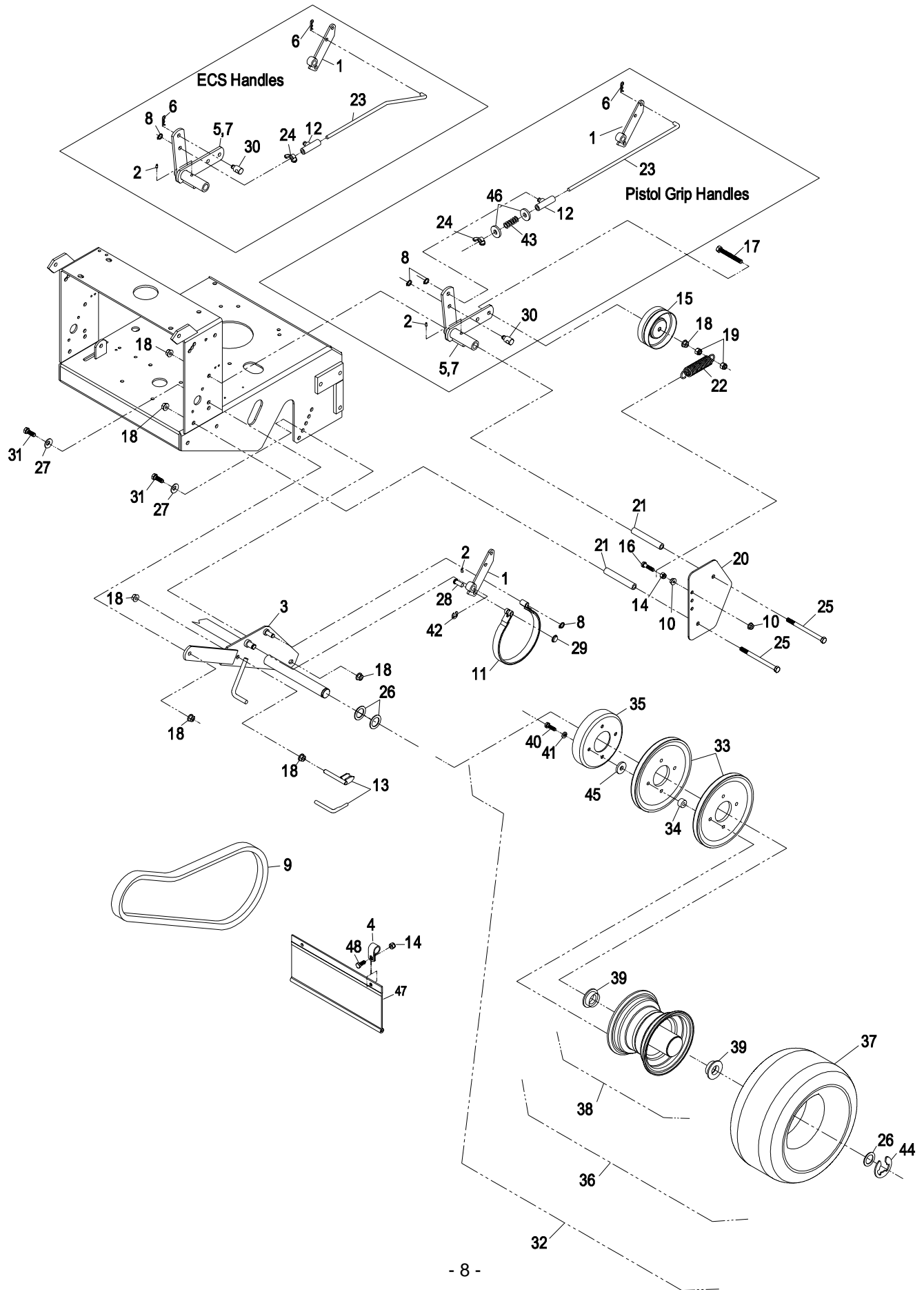
* Torque Engine Mounting Bolts: 15 HP Kaw to 15-20 ft-lbs / Kohler & 12.5 HP Kaw to 25-30 ft-lbs.

Exmark red touch up spray paint - P/N 1-850337

Exmark black touch up spray paint - Gloss black

● Kohler models only

ENGINE DECK GROUP (con't)



ENGINE DECK GROUP (con't)

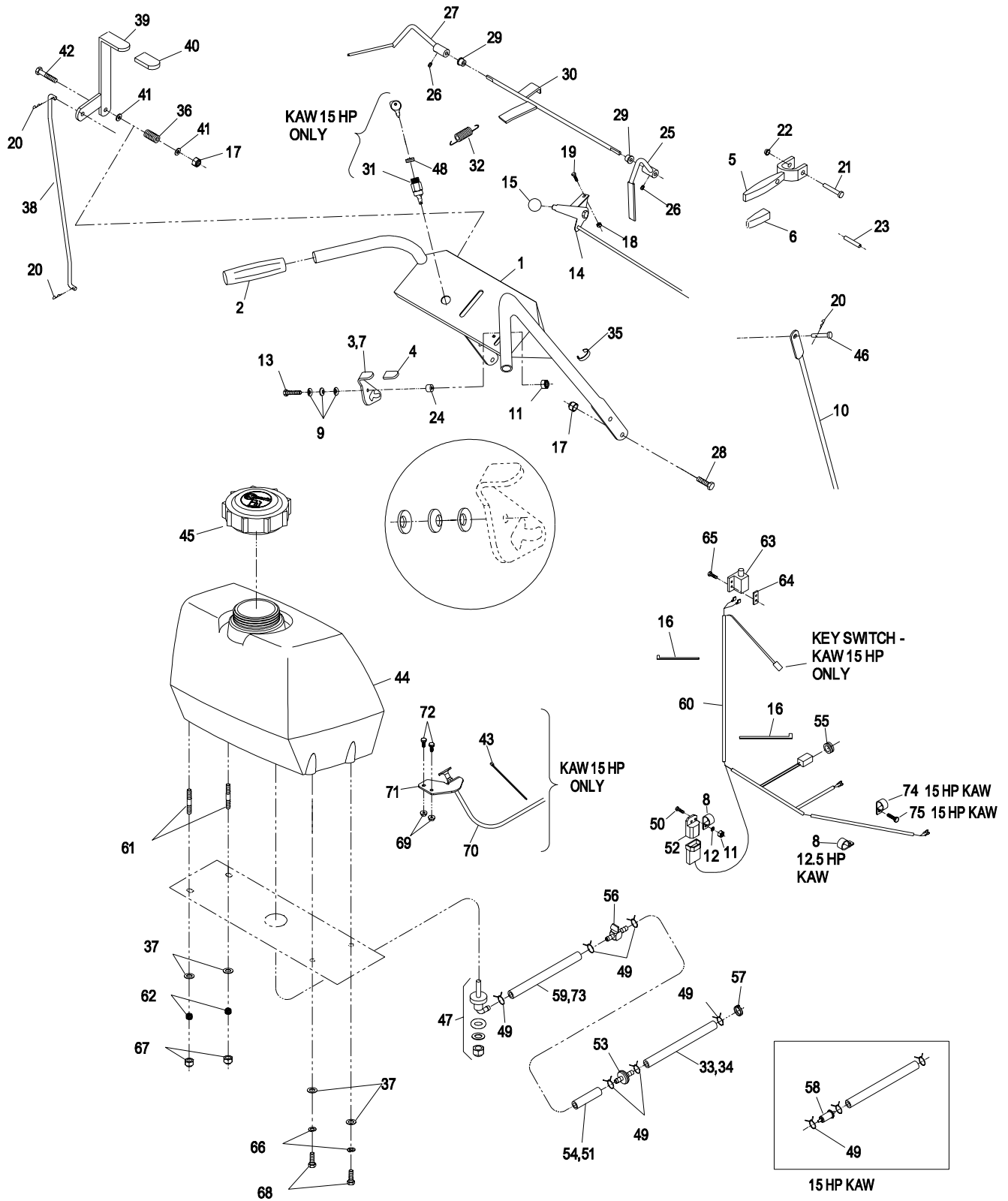
Ref. No.	Part No.	Description	Qty. Req'd.	Ref. No.	Part No.	Description	Qty. Req'd.
1	103-1611-03	Brake arm wldmnt	2	25	323-39	3/8-16 x 5 HH capscrew	4
2	302-19	1/4-28 Grease zerk (straight)	4	26	1-523157	Spacer, wheel (14 Ga.).....	As Req'd.
3	1-322117-03	Axle wldmnt (36" & 48" Models)	1		1-543436	Spacer, wheel (18 Ga.).....	As Req'd.
	1-322141-03	Axle wldmnt (32" Model)	1	27	98-5975	3/8 Disc spring washer.....	4
4	2412-104	R-Clamp.....	2	28	1-323307	3/8 Clevis pin	2
5	103-1615-03	Idler arm wldmnt (LH)	1	29	1-803051	3/8 Pushnut	2
6 ◇	1-806003	Cotter hairpin, #2.....	4	30■	103-1864	Swivel, short adjust.....	2
■	1-806003	Cotter hairpin, #2.....	2	◇	103-1618	Swivel, short adjust.....	2
7	103-1616-03	Idler arm wldmnt (RH).....	1	31	323-6	3/8-16 x 1 HH capscrew	4
8■	32151-47	Klipring (for 3/8 shaft).....	6	32	1-324367	Drive wheel (36"&48" Models).....	2
◇	32151-47	Klipring (for 3/8 shaft).....	4		1-324193	Drive wheel (32" Model).....	2
9	1-323288	Belt, wheel drive(36"&48" Models)	2	33	1-323253	Sheave (36" & 48" Model).....	4
	1-323344	Belt, wheel drive (32" Model).....	2		1-323349	Sheave (32"Model)	2
10	32128-20	5/16-18 Whizlock nut.....	4	34	1-323260	Spacer, sheave (36" & 48" Model) ...	8
11	1-323262	Brake band.....	2	35	1-323261	Brake drum	2
12	1-322125	Swivel wldmnt, brake linkage	2	36	1-323719	Wheel & Tire (36"&48"Models).....	2
13	1-412358	Scraper wldmnt(36"&48" Models)	2		1-323346	Wheel & Tire (32"Model)	2
	1-603430	Scraper (32" Model)	2	37	1-323720	Tire, 13 x 6.50-6 (4-ply) (36"&48")	1
14	3296-29	5/16-18 Nyloc nut.....	4		1-323361	Tire, 13 x 5.00-6 (4-ply) (32").....	1
15	1-323277	Idler pulley (36"&48" Models)	2	38	1-323328	Wheel & hub w/brgs (36"&48")	1
	1-323352	Idler pulley (32" Model).....	2		1-323360	Wheel & hub w/brgs (32").....	1
16	322-6	5/16-18 x 1 1/4 HH capscrew	2	39	1-323329	Bearing, flanged	4
17	99-8664	3/8-16 x 3 HH Tap bolt.....	2	40	322-5	5/16-18 x 1 HHCS (32").....	8
18	3290-357	3/8-16 Whizlock nut.....	14		322-7	5/16-18 x 11/2 HHCS (36"&48")	8
19	3296-39	3/8-16 Nyloc nut.....	4	41	1-805005	5/16 Spring washer.....	8
20	1-323287-01	Shield, wheel drive	2	42	32120-47	E-Ring (for 1/2" shaft)	2
21	1-323283	Spacer.....	4	43■	1-323245	Spring, Compression	2
22	1-603402	Drive spring	2	44	1-808519	E-Ring (for 1" shaft)	2
23■	1-323548	Linkage,Brake	2	45	1-373034	Swivel washer (32" Model only).....	4
◇	103-1619	Linkage,LH Brake.....	1	46■	3256-23	5/16 SAE Flat washer.....	4
◇	103-1620	Linkage,RH Brake	2	47	98-3259	Shield, Trailing	1
24	1-513959	5/16-18 Nyloc wingnut.....	2	48	322-3	5/16-18 x 3/4 HH capscrew	2

Exmark black touch up spray paint - Gloss black

◇ For units with ECS handles only.

■ For units with Standard pistol grip handles only.

STANDARD PISTOL GRIP UPPER HANDLES & CONTROLS



STANDARD PISTOL GRIP UPPER HANDLES & CONTROLS

Ref. No.	Part No.	Description	Qty. Req'd.	Ref. No.	Part No.	Description	Qty. Req'd.
1	103-0211	Handle wldmnt(1-322227-03) w/decals	1	39	1-322157	Engagmt. lever, blade w/grip	1
2	1-303097	Handle grip	2	40	1-303020	Grip, lever	1
3*	1-324279	Latch w/grip (left)	1	41	3256-4	3/8 Std. flatwasher	2
4	1-303019	Grip, latch	2	42	323-10	3/8-16 x 2 HH capscrew	1
5	1-302006	Drive lever w/grip	2	43	1-303335	Plastic tie, large (15 HP Kaw)	1
6	1-303021	Grip, drive lever	2	44	103-2983	Tank, gas	1
7	1-324280	Latch w/grip (right)	1	45	103-2107	Cap, fuel tank	1
8	1-323229	Clip, 3/8 Loom (Koh & 15 HP Kaw)	1	46	1-808286	Clevis pin	2
	1-323229	Clip, 3/8 Loom (12.5 HP Kaw)	2				
9	1-303435	Washer, 1/4 disc spring	6	47◇	103-2605	Fitting, fuel bulkhead w/screen	1
10	1-323359	Linkage, wheel drive	2	48	103-0498	Nut, Ignition Switch (15 HP Kaw)	1
11	3296-42	1/4-20 Nyloc nut	3	49	1-303077	Clamp, fuel line (15 HP Kaw)	4
12	3256-22	1/4 SAE Flatwasher	1		1-303077	Clamp, fuel line (12.5 HP Kaw)	5
13	321-18	1/4-20 x 2 1/4 HH capscrew	2		1-303077	Clamp, fuel line (Kohler)	6
14	1-323322	Throttle cable(12.5HP Kaw & Koh)	1	50	321-4	1/4-20 x 3/4 HH capscrew	1
	1-633696	Throttle cable (15 HP Kaw)	1	51	1-603955	Fuel line, 6" (15 Kaw)	1
15	1-513592	Knob, (red ball)	1	52◆	1-323430	Interlock, OPC	1
16	1-303287	Plastic tie, 5 1/2"	5	53	1-303197	Fuel filter (12.5 HP Kaw & Kohler)	1
17	3296-39	3/8-16 Nyloc nut	5	54	1-603776	Fuel line, 2.5" (12.5HP Kaw&Koh)	1
18	3296-2	10-24 Nyloc hex nut	2	55	1-543296	Grommet	1
19	1-807513	10-24 x 1/2 Carriage bolt	2	56	1-603770	Fuel valve	1
20	1-806003	Hairpin cotter	4	57	1-303308	Clamp, fuel line (12.5 HP Kaw)	1
21	1-808250	3/16 x 1 3/4 Clevis pin	2	58	Kawasaki	PN 41019-1055 w/6" fuel line	1
22	1-803001	3/16 Palnut	2	59	1-603955	Fuel line, 6" (12.5 HP Kaw, Koh)	1
23	1-806340	5/16 x 1 Rollpin	2	60	103-1660	Wiring harness (12.5 HP Kaw)	1
24	1-323549	Spacer	2		103-1640	Wiring harness (Kohler)	1
25◆◆	1-412185-03	Lever, OPC (RH)	1		103-1610	Wiring harness (15 HP Kaw)	1
26◇	1-803322	5/16-24 x 5/16 Setscrew	2	61●	1-633023	Stud, gas tank	2
27◆◆	1-412183-03	Lever, OPC (LH)	1	62	1-633349	Spring, gas tank	2
28	323-6	3/8-16 x 1 HH capscrew	4	63	1-513051	Switch	1
29	1-303365	Nylon bushing	2	64	1-633181	Plate, tapped	1
30	1-322192-03	Connecting rod	1	65	3290-500	Screw	2
31	1-403121	Switch, key (15 HP Kaw)	1	66	1-805005	Washer Lock 5/16	2
	1-603511	Key, Ignition (15 HP Kaw)	1	67	3296-47	Nut, Nyloc 5/16-18	2
	103-2106	Key, Exmark logo (15 HP Kaw)	1	68	322-3	Screw, 5/16-18X3/4	2
32	1-303363	Actuator spring	1	69	32128-33	Nut, Whizlock 1/4-20 (15 HP Kaw)	2
33	103-2944	Fuel line, 10" (12.5 HP Kaw)	1	70	103-1796	Choke cable (15 HP Kaw)	1
34	1-603954	Fuel line, 13.75" (Kohler)	1	71	103-1797-01	Bracket, choke cable (15 HP Kaw)	1
35	1-303088	Cable clip	1	72	321-3	Screw, 1/4-20 x 5/8 (15 HP Kaw)	2
36	1-303160	Spring, compression	1	73	1-303022	Fuel line, 8.5" (15 HP Kaw)	1
37	3256-23	Washer, 5/16 SAE	4	74	1-413510	Clip, loom 1/2" (15 HPKaw)	1
38	1-323298	Linkage, blade drive	1	75	33114-016	Screw, HH M8-16 x 1.25 (15 HP Kaw)	1

◇ Use Pro-lock (Nut type) Part No. 1-840022 (.5 ml tube) on setscrew threads, and on fuel tank fitting.

● Use Pro-lock (Retaining) Part No. 1-840023 (.5 ml tube) on inside of OPC hub (See Operator's Manual) & on fuel tank studs going into tank.

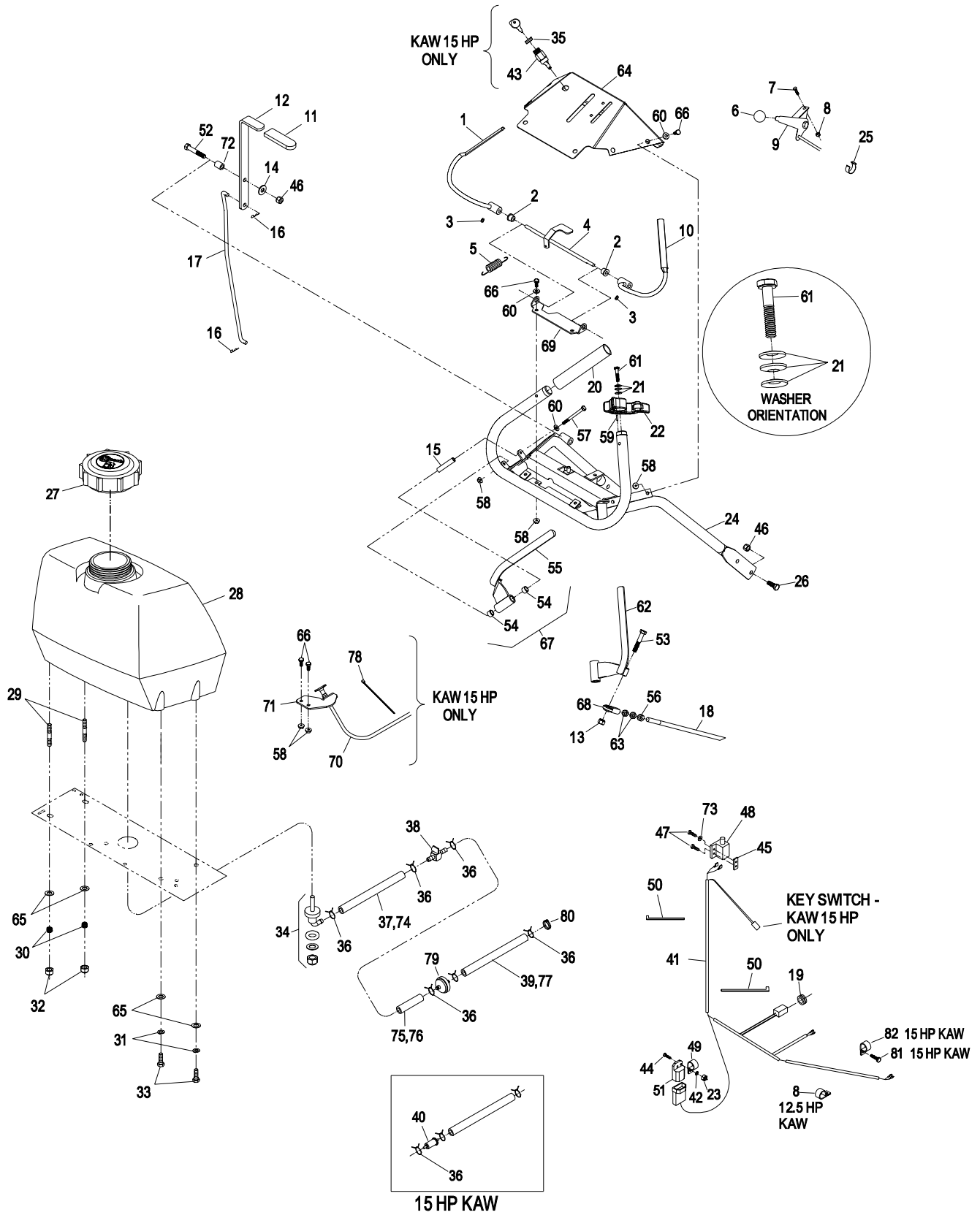
◆ OPC refers to Operator Presence Control.

* Not illustrated.

NOTE: Use dielectric grease on all electrical connections.

Exmark black touch up spray paint - Gloss black

ECS UPPER HANDLES & CONTROLS

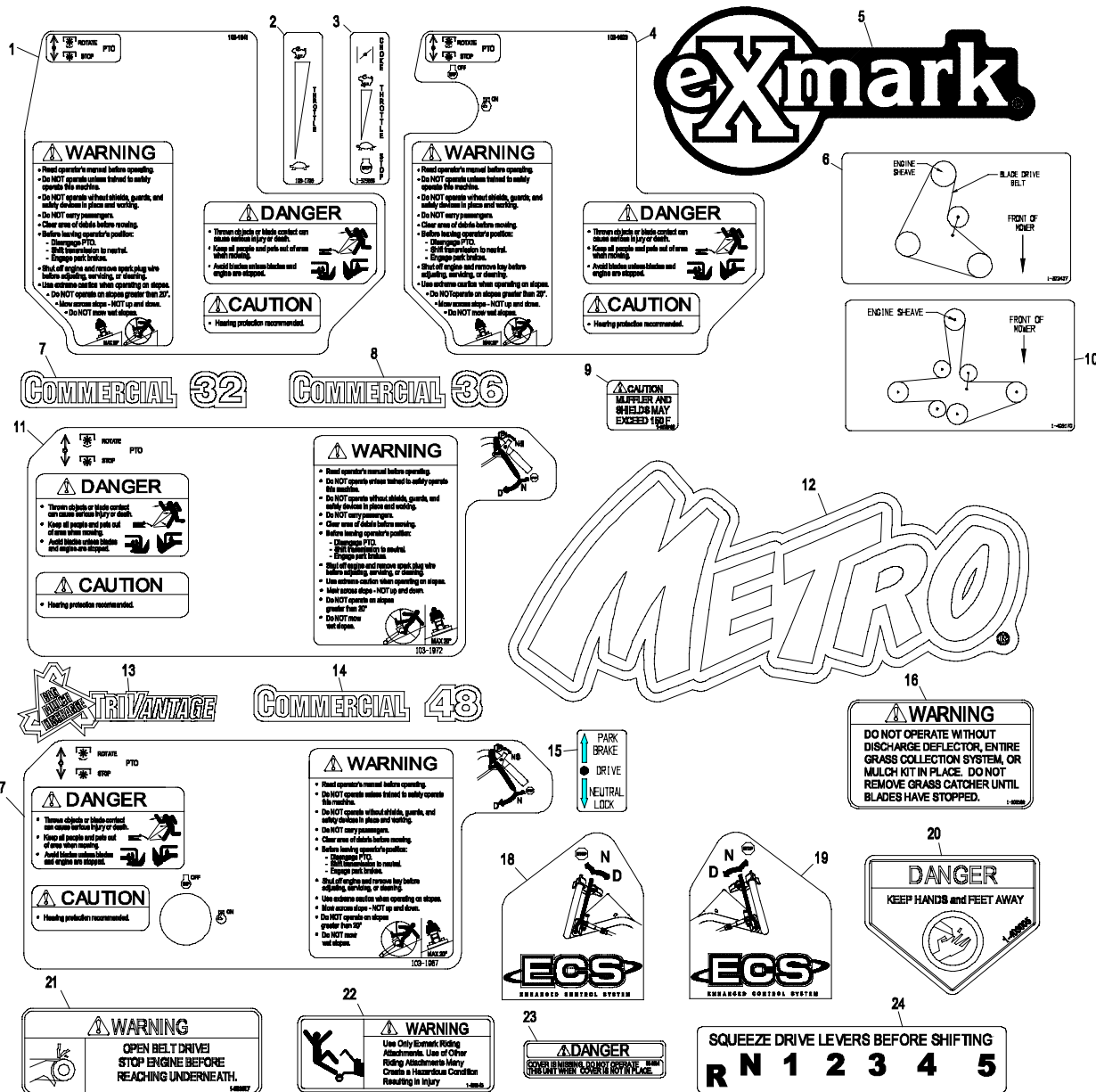


ECS UPPER HANDLES & CONTROLS

Ref. No.	Part No.	Description	Qty. Req'd.	Ref. No.	Part No.	Description	Qty. Req'd.
1∇	103-1566-03	Lever, weldment OPC LH.....	1	43	1-403121	Switch, On/Off (15 HP Kaw).....	1
2	1-303365	Bushing, Nylon	2		1-603511	Key, ignition (15 HP Kaw)	1
3♦	1-803322	Screw, Set .312-24x.312	2		103-2106	Key, Exmark logo (15 HP Kaw)....	1
4	103-0769-03	Rod weldment, OPC.....	1	44	321-4	Screw, Hex Cap ¼-20x3/4	1
5	1-303363	Spring, Actuator.....	1	45	1-633181	Plate, Tapped.....	1
6	1-513592	Knob, Ball Red.....	1	46	3296-39	Nut, Nyloc 3/8-16	5
7	1-807513	Bolt, Carr. #10-24x1/2 G2.....	2	47	3290-500	Scrw,Mach CRPH 10-24x5/8	2
8	3296-2	Nut, Nyloc #10-24	2	48	1-513051	Switch, Neutral Lockout	1
9	1-633696	Cable,Throttle Control (15 HP Kaw)	1	49	1-323229	Clip, 3/8 Loom (Koh & 15 HP Kaw) ...	1
	1-323322	Cable,Throttle Control (12.5HP Kaw & Koh)	1		1-323229	Clip, 3/8 Loom (12.5 HP Kaw).....	2
10∇	103-1567-03	Lever, weldment OPC RH	1	50	1-303287	Tie, Plastic 5 1/2"	6
11	1-303020	Grip, Lever.....	1	51	1-323430	Module, Wiring Harness.....	1
12	103-1629	Clutch Lever w/Grip	1	52	323-14	Screw,3/8-16 x 3.0	1
13	3296-29	Nut, Nyloc 5/16-18	2	53	322-9	Screw,5/16-18 x 1.75	2
14	3256-4	Washer, Flat STD 3/8	1	54	1-413152	Bearing	4
15	103-0027	Spacer.....	2	55	103-2466-03	Lever,drive LH	1
16	1-806003	Pin, Hair Cotter	2	56	3219-3	Nut,3/8-24 reg hex	2
17	103-1627	Linkage, Upper	1	57	321-14	Screw,1/4-20 x 2 3/4	2
18	103-1604	Linkage, Wheel Drive	2	58	32128-33	Nut,1/4-20 whizlock (15 HP Kaw).	12
19	1-543296	Grommet.	1		32128-33	Nut,1/4-20 whiz. (12.5 HP Kaw & Koh)	10
20	103-0815	Grip, Handle	2	59	103-0464	Pin,1/8 x 1/2 spring	2
21	1-303435	Washer, Disc Spring 1/4.....	6	60	3256-22	Washer,1/4 SAE flat	10
22	103-1631	Latch, thumb LH	1	61♦	103-0235	Screw,1/4-20 x 1 1/8 w/nylon	2
	103-1630	Latch, thumb RH (shown).....	1	62	103-2465-03	Lever,drive RH	1
23	3296-42	Nut, Nyloc ¼-20	1	63	3220-3	Nut,3/8-24 jam	4
24	103-0770-03	Handle weldment.....	1	64	103-0546-03	Wld,upper handle console	1
25	1-303088	Cable clip.	1	*	103-2764	Asm,console w/decals	1
26	323-6	Screw, Hex Cap 3/8-16x1	4	▲	103-2765	Asm,console w/decals	1
27	103-2107	Cap, Fuel Tank.....	1	65	3256-23	Washer,5/16 SAE flat	4
28	103-2983	Tank, Fuel Intermediate.....	1	66	321-3	Screw,1/4-20 x 5/8 (15 HP Kaw) ..	10
29∇	1-633023	Stud	2		321-3	Screw,1/4-20x5/8 (12.5HP Kaw & Koh)	8
30	1-633349	Spring, Fuel tank	2	67	103-2513	Asm,drive lever RH	1
31	1-805005	Wshr,Lock Hlcl Spg 5/16 Hvy.....	2		103-2514	Asm,drive lever LH	1
32	3296-47	Nut, Nyloc 5/16-18	2	68	103-2463	Joint,,375 ball end	2
33	322-3	Screw, Hex Cap 5/16-18x¾	2	69	103-0489-03	Bracket,opc axle	1
34♦	103-2605	Fitting,fuel bulkhead w/screen	1	70	103-1796	Cable,choke push/pull (15 HP Kaw)	1
35	103-0498	Nut, Ignition Switch (15 HP Kaw	1	71	103-1797-01	Bracket,choke cable (15 HP Kaw)...	1
36	1-303077	Clamp, Fuel line (15 HP Kaw)	4	72	1-633080	Bushing	1
	1-303077	Clamp, Fuel line (12.5 HP Kaw)	5	73	3256-14	Washer, #10 flat	1
	1-303077	Clamp, Fuel line (Koh).....	6	74	1-303022	Hose,fuel line 8.5" (15 HP Kaw) ..	1
37	1-603955	Hose, Fuel line 6" (12.5 HP Kaw & Koh)....	1	75	1-603776	Hose,fuel line 2.5" (12.5 HP Kaw & Koh)	1
38	1-603770	Valve, Fuel.....	1	76	1-603955	Hose,fuel line 6" (15 HP Kaw)	1
39	103-2944	Hose, Fuel line 10" (12.5 HP Kaw)	1	77	1-603954	Hose,fuel line 13.75" (Koh)	1
40	Kawasaki PN 41019-1055	w/6" fuel line	1	78	1-303335	Tie, Plastic 7 5/16" (15 HP Kaw) ..	1
41•	103-1660	Harness, Wiring (12.5 HP Kaw).....	1	79	1-303197	Fuel filter (12.5 HP Kaw & Koh) ..	1
•	103-1640	Harness, Wiring (15 HP Koh).....	1	80	1-303308	Clamp, fuel line (12.5 HP Kaw) ...	1
•	103-1610	Harness, Wiring (15 HP Kaw).....	1	81	1-413510	Clip, loom 1/2" (15 HP Kaw).....	1
42	3256-22	Washer, Flat SAE 1/4.....	1	82	33114-016	Screw, HH M8-16 x1.25 (15 HPKaw)	1

- ♦ Use Pro-Lock nut type, Part no. 1-840022 (.5cc tube) on setscrew threads and to thumb latch screws, and on fuel tank fitting.
 - ∇ Use Pro-Lock retaining type, Part no. 1-840023 (.5cc tube) on inside of bore of OPC hub and on fuel tank studs going into tank.
 - Use dielectric grease on all electrical connectors.
 - ▲ For 15 HP Kawasaki units with a key and separate choke control.
 - * For 12.5 HP Kawasaki and 15 HP Kohler units without a key.
- Exmark black touch up spray paint - Gloss black

DECALS

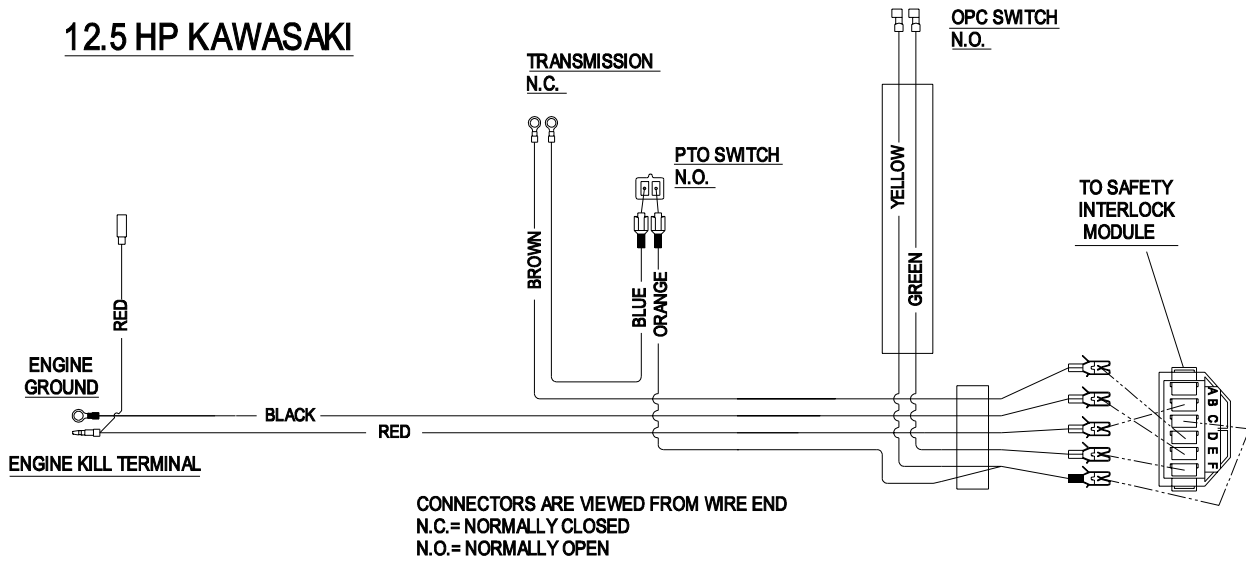


Ref. No.	Part No.	Description	Qty. Req'd.	Ref. No.	Part No.	Description	Qty. Req'd.
1●	103-1641	Decal, Console (Koh, 12.5 HP Kaw)	1	14	1-403131	Decal, Commercial 48"	1
2●	103-1798	Decal, Throttle (15 HP Kaw)	1	15★	1-323550	Decal, Neutral/Brake	2
3	1-323689	Decal, Throttle (Koh, 12.5 HP Kaw)	1	16	1-303508	Decal, Discharge Warning	1
4●	103-1623	Decal, Console (15 HP Kaw)	1	17★	103-1967	Decal, Console (15 HP Kaw)	1
5	103-2882	Decal, Exmark Logo	1	18●	103-2245	Decal, RH ECS Instruction	1
6	1-323427	Decal, Belt Routing (32" & 36")	1	19●	103-2244	Decal, LH ECS Instruction	1
7	1-323410	Decal, Commercial 32"	1	20	1-403005	Decal, Danger (32" & 36")	1
8	1-323411	Decal, Commercial 36"	1		1-403005	Decal, Danger (48")	2
9	1-513746	Decal, Muffler	1	21	1-303517	Decal, Belt Drive	1
10	1-403170	Decal, Belt Routing (48")	1	22	1-403143	Decal, Sulky Warning	1
11★	103-1972	Decal, Console (Koh, 12.5 HP Kaw)	1	23	98-5954	Decal, Missing Cover	1
12	103-2920	Decal, Metro Model	1	24	1-303518	Decal, Shifter	1
13	1-303520	Decal, TriVantage	1		103-2640	Decal, Kit	

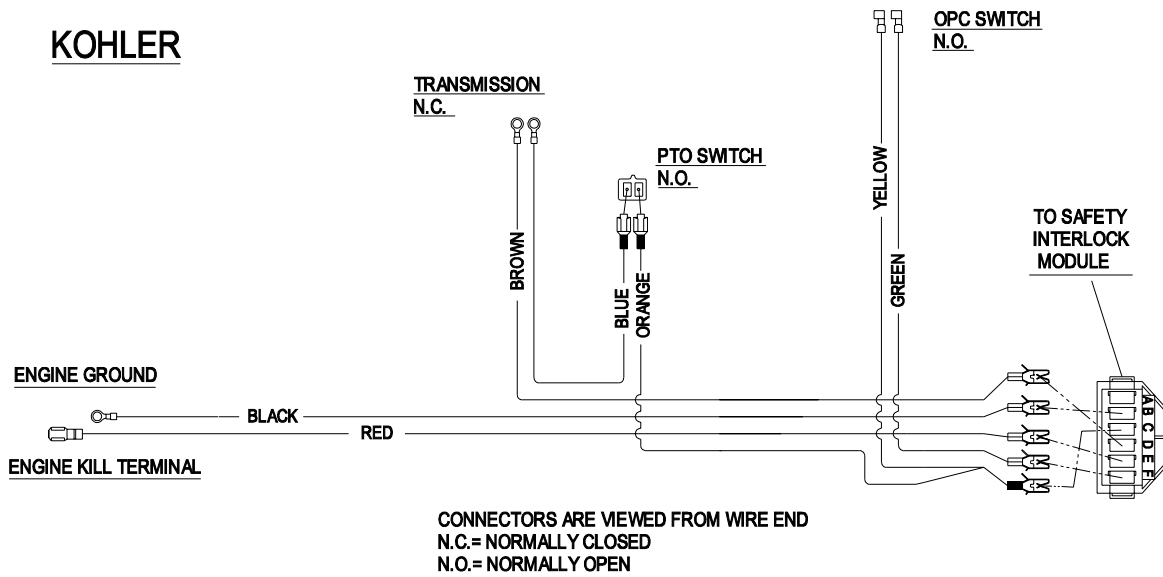
★ Standard Pistol Grip units only
● ECS units only

WIRING DIAGRAMS

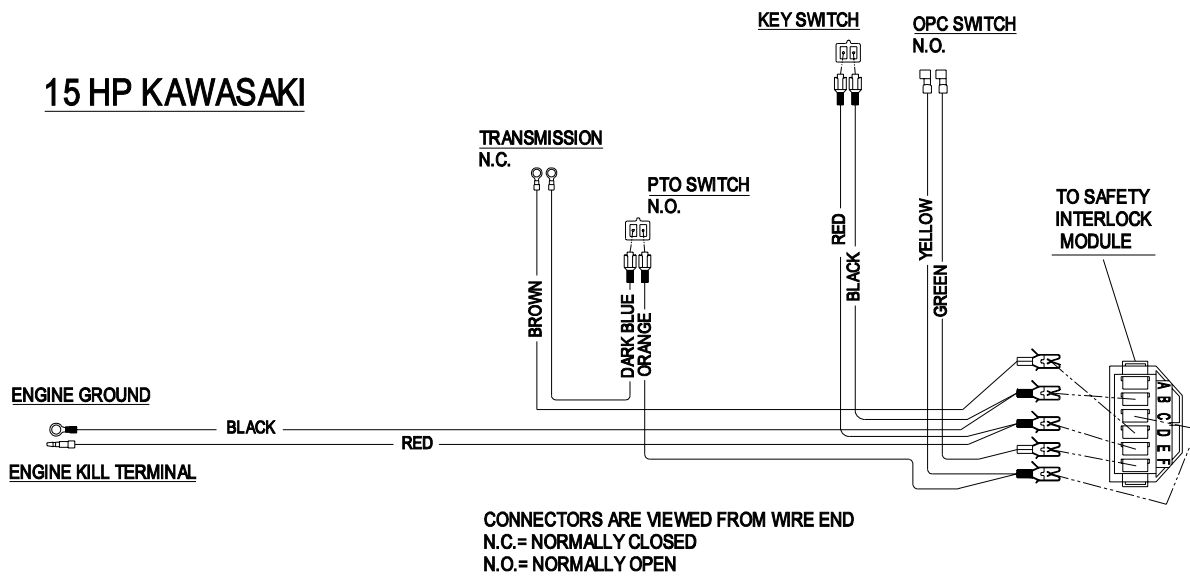
12.5 HP KAWASAKI



KOHLER



15 HP KAWASAKI



SERVICE RECORD

Date	Description of Work Done	Service Done By

NOTES

**SEE EXMARK'S COMPLETE
LINE OF PRODUCTS FOR TURF CARE**

LAZER Z[®]

LAZER Z[®] HP

LAZER Z[®] XP

TURF RANGER[®]

TURF TRACER[®]

TURF TRACER[®] HP

VIKING HYDRO

METRO[®]

METRO[®] HP

SELF STEERING SULKY

ULTRA VAC[™]

ULTRA VAC[™] QDS

GRASS CATCHER

MICRO-MULCH[™] ACCESSORY

©1997 – 2002
EXMARK MFG. CO. INC.
INDUSTRIAL PARK BOX 808
BEATRICE, NE 68310
ALL RIGHTS RESERVED

PART NO. 103-3635
(402) 223-6300
FAX (402) 223-5489
PRINTED IN U.S.A.

