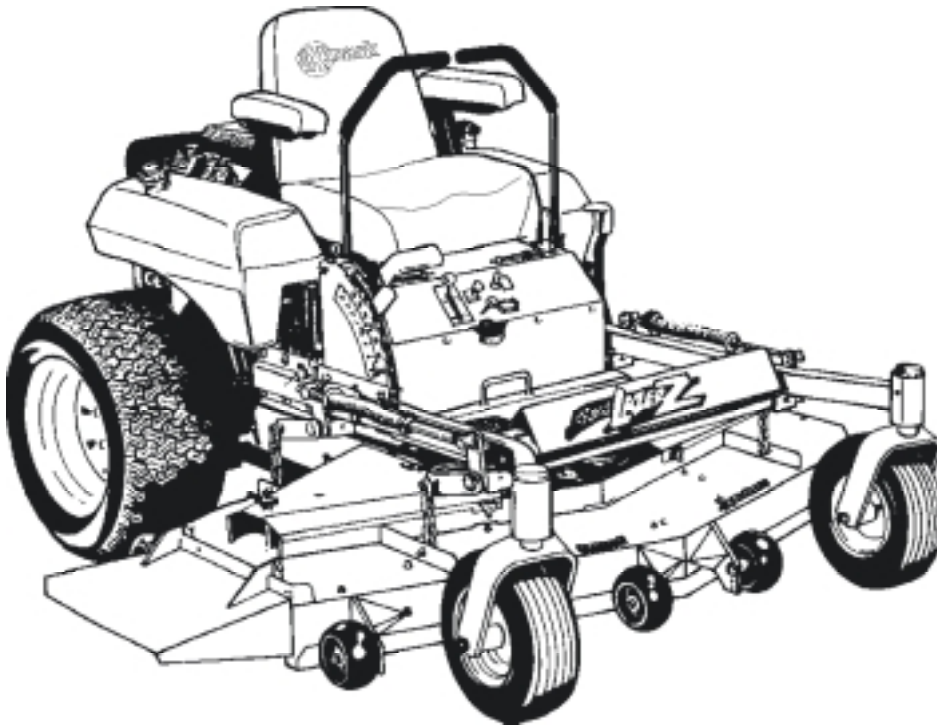


For Serial Nos.
260,000 & Higher



PARTS MANUAL

LAZER Z[®]

CONGRATULATIONS on the purchase of your new Exmark mower. This product has been carefully designed and manufactured to give you a maximum amount of dependability and years of trouble-free operation.

If additional information is needed, or should you require trained mechanic service, contact your authorized Exmark equipment dealer or distributor.

If you need to order replacement parts from your dealer, always give the model number and serial number of your mower as well as the part number, description and quantity of the part needed.

The Serial No. plate is located on the right side of the console.

For ease of ordering and reference, we suggest that you record the information requested in the following identification table.

Model No. _____

Serial No. _____

Engine Model No. _____

Engine Serial No. _____

Date Purchased _____

Paste Label From
Literature Packet Here

EXMARK PARTS PLUS® PROGRAM

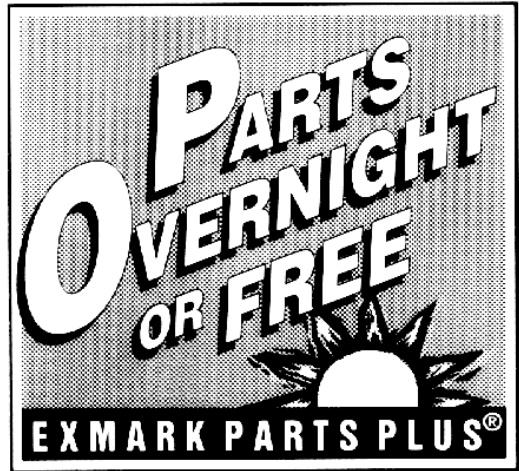
EFFECTIVE DATE: September 1, 1995

Program

If your Exmark dealer does not have the Exmark part in stock, Exmark will get the parts to the dealer the next business day or the part will be FREE* Guaranteed!!

How the Program Works

1. If dealer does not have part in stock for a "down" unit at the time of request by customer, the dealer contacts his distributor by 1:00 p.m., local time, and requests Exmark Parts Plus® shipment of six (6) line items or less.
2. Distributor ships part(s) to dealer or customer, as requested by dealer, same day, overnight UPS. Distributor bills dealer for part and freight charges where applicable.
3. If distributor does not have the part(s) in stock to satisfy Exmark Parts Plus® order, he contacts Exmark by 3:00 p.m., central time, with an Exmark Parts Plus® order of six (6) line items or less.
4. If order is received by 3:00 p.m. central time, Exmark ships part(s) direct to dealer or customer, as requested by distributor, same day, overnight UPS. Exmark bills the distributor for parts and shipping charges, where applicable.
5. The customer pays for the part and freight if it is shipped under the Exmark Parts Plus® and if it arrives in accordance to the program.
6. Who pays for the part and freight if it fails to arrive overnight in accordance to the program?
 - A. Under any circumstance the customer does not pay.
 - B. If the part does not arrive overnight due to:
 1. The dealer not submitting the Exmark Parts Plus® order to his Exmark distributor by 1:00 p.m., the dealer pays for the part and freight.
 2. The Distributor being unable to ship the part the same day or not submitting the Exmark Parts Plus® order to Exmark by 3:00 p.m., central time, the Distributor pays for the part and freight.
 3. Exmark being unable to ship the part and the Exmark parts order is received by 3:00 p.m., central time, Exmark pays for the part and freight.
 4. If the part does not arrive overnight due to the shipper (UPS), the shipper pays for the freight and Exmark pays for the part.



The following restrictions apply -- The Exmark Parts Plus® Program is available only through participating Exmark Dealers and applies only to orders submitted on this program Monday through Thursday. Parts Plus service is available only in the 48 contiguous United States. UPS has initiated a Saturday delivery program to many areas of the continental United States and can be requested for an overnight shipment on Friday to be delivered Saturday. The next day air charge, plus the Saturday delivery fee will be the responsibility of the purchaser. Exmark Mfg. will assume no responsibility for Saturday delivery shipments. To qualify, all Exmark Parts Plus® orders must be received by Exmark by 3:00 p.m., central time. Orders must be six (6) line items or less. Exclusions from the Exmark Parts Plus® Program are: Any wholegood or accessory in its entirety, engines and engine replacement parts, 5-speed Peerless transmissions and 5-speed transaxles, hydraulic or hydrostatic wheel motors, cutter decks and engine decks or any item exceeding United Parcel Service size and weight restrictions.

Due to UPS restrictions, aerosol spray paint is considered a hazardous material and cannot be shipped via UPS next day or Second Day Air.

Exmark Manufacturing stocks a limited supply of parts for transaxles, pumps and wheel motors. These parts can be ordered for Next Day Air shipment but will not be guaranteed per the Parts Plus Program.



**READ OPERATOR'S MANUAL BEFORE
OPERATING OR SERVICING EXMARK EQUIPMENT.**

TABLE OF CONTENTS

<u>Description</u>	<u>Page</u>
Decal Group	27-28
Electrical Diagram	34-38
Electrical Group.....	29-33
Engine Deck Group	18-24
Front Frame Group.....	9-10
Fuel Group	12-14
Hydraulics Group.....	25-26
Main Frame Group	11
Motion Control Levers	17
Park Brake Group	15-16
Parts Plus Program	1
52" Deck Group.....	3-4
60" Deck Group.....	5-6
72" Deck Group.....	7-8

52" DECK GROUP

Ref. No.	Part No.	Description	Qty. Req'd.	Ref. No.	Part No.	Description	Qty. Req'd.
1	103-0332-01	Deck wldmt, 52"	1	48 ★	1-803022	Setscrew,5/16-18x5/8sqhdcp	2
	103-0675	Deck wldmt, 52" w/decals.....	1	49★	1-807264	Key, 1/4 sq x 2 5/8	1
2	3256-24	Washer, 3/8 SAE	3	50★	1-633012	Jackshaft, deck drive	1
3★	1-323533	Spacer, shv/brg	3	51★	103-1140	Cutter housing complete.....	3
	1-323533	Spacer, shv/brg	4	52	323-20	Screw, 3/8-16 x 3 1/4.....	1
4★	1-513208	Washer, disc spring.....	3	53★	1-633014-01	Bracket, jackshaft	1
	1-513208	Washer, disc spring.....	4	54★	3230-1	Bolt, 5/16-18 x 3/4 Carr.....	6
5	1-303334	Washer, 5/16 disc spring.....	1	55★	1-513013	Housing, flange.....	4
6	32128-20	Nut, 5/16-18 whizloc	14	56★	1-513012	Bearing w/lock collar & ss.....	2
7	1-602913-01	Baffle wldmt, discharge	1	57★	1-633573	Guard, Brg bottom	3
8	322-2	Screw, 5/16-18 x 5/8.....	5		1-633573	Guard, Brg bottom	4
9	1-603299	Roller, antiscalp.....	6	58★	3231-22	Bolt, 3/8-16 x 1 carr.....	4
10★	3290-357	Nut, 3/8-16 whizlock	12	59	103-1072-01	Strut wldmt, deck	2
	3290-357	Nut, 3/8-16 whizlock	8	60	1-634619	Housing w/ring, spacer, & brg....	3
11	1-373034	Washer, pivot	8	61	1-633029	Spherical rod end.....	2
12	1-603602	Bushing, roller	6	62 ★	1-803050	Setscrew, 5/16-18 x .75sqhd	1
13★	98-5975	Washer, 3/8 disc spring.....	10	63	327-11	Screw, 5/8-11 x 5	2
	98-5975	Washer, 3/8 disc spring.....	14	64	3253-8	Lockwasher, 5/8 reg.spring.....	2
14	98-5961	Screw, 3/8-16 x 4 gr 8	6	65	302-19	Zerk, 1/4-28 straight.....	4
15	103-0345-01	Chute, discharge 52"	1	66	1-632199-01	Pin wldmt, deck strut.....	2
16	322-5	Screw, 5/16-18 x 1.....	3	67★	3219-6	Nut, 5/8-18 hex	5
17	3296-29	Nut, 5/16-18 nyloc	4		3219-6	Nut, 5/8-18 hex	6
18	1-633357-01	Shield, belt 52"	2	68	3257-32	Key, # 61 Woodruff.....	3
19	1-323385	Knob, belt shield.....	6	69Ω	1-633701	Sheave, blade drive	3
20	1-322110	Belt guide wldmt	1	70Ω	1-513016	Bearing	6
21	103-0862	Screw, 5/8-11x2 3/4 gr 8	3		1-513016	Bearing	8
22	323-11	Screw, 3/8-16 x 2 1/4.....	2	71	1-323532	Housing ,bearing.....	3
23	1-303537	Stud, belt shield.....	2	72	1-323528	Spacer, bearing	3
24	3256-3	Washer 5/16 std flat	4		1-323528	Spacer, bearing	4
25	1-323417	Washer, rubber.....	2	73	323-7	Screw, Hex cap 3/8x1 1/4.....	18
26	1-633151	Spring, extension.....	1	74★	32120-8	Snap Ring.....	3
27	1-632119-03	Arm wldmt, deck idler	1		32120-8	Snap Ring.....	4
28	1-513034	Bearing, pivot.....	2	75	103-0584	Spindle.....	3
29	1-634244	Arm wldmt/brg sub-assy	1	76	1-633482	Blade, notched air foil.....	3
30	1-603044	Bushing, idler pivot.....	1		1-613251	Blade, solid air foil.....	3
31	302-40	Zerk, 1/4-20 90°.....	1		1-633485	Blade, low lift.....	3
32	3256-4	Washer, 3/8 std flat	3	◆	1-633484	Blade, mulching	3
33	3296-39	Nut, 3/8-16 nylock.....	20		103-1578	Blade, bahia.....	3
34	323-13	Screw, 3/8-16 x 2 3/4.....	1	77★	1-634546	Jackshaft S/A.....	1
35	1-633109	Idler pulley 6.00 dia flat	2	78 ★	103-1081	Strut wldmt S/A	2
36	3234-11	Bolt, 3/8-16 x 1 whizlock.....	1		103-1106	Strut wldmt S/A	2
37	1-633456	Bushing, Idler	2	79	1-643393	Jackshaft.....	1
38	3217-11	Nut, 5/8-11 hex	2	80	103-0135	Sheave, Jackshaft	1
39	32128-37	Nut, 7/16-14 whizlock	16		103-0185	Sheave, Jackshaft	1
40	1-603805	Idler pulley 5.06 O.D V	1	81	103-0280	Housing, Jackshaft	1
41	1-633366	Belt, blade drive 52" Deck.....	1	82	103-0698	Jackshaft S/A.....	1
42	1-633447	Chain.....	4		103-0699	Jackshaft S/A.....	1
43	1-800811	Screw, 7/16-14 x 1-1/2	8	83	103-0678	Complete deck asy (LZ25KC524) 1	
44	322-3	Screw, 5/16-18 x 3/4	2		103-0679	Complete deck asy (LZ23LKA524)1	
45Ω★	1-403087	Sheave, blade drive 6.75 OD ..	1	84	323-6	Screw, 3/8-16 x 1	4
46Ω★	1-633010	Pulley, split sheave 6.30 OD ..	1	85	103-1192	Asm,Jackshaft housing w/brgs...1	
47	30-1710	Setscrew, 5/16-18 x 1sqhdcp ..	1	86	103-0865	Washer, disc spring	3

Use Pro-lock Nut Type (P/N 1-840022 .5 ml. tube) on setscrews. Ω Use antiseize on bore of sheaves and bearings.

* Cutter housing complete includes sheave, washer, and nut. Exmark red touch up spray paint - P/N 1-850337

◆ Requires installation of Micro-Mulch accessory for proper mulching. Mulch kit P/N MK524

Strut subassemblies have same components, they are assembled to different lengths from center to center.

PN 103-1081=15.31";PN 103-1106=15.00"

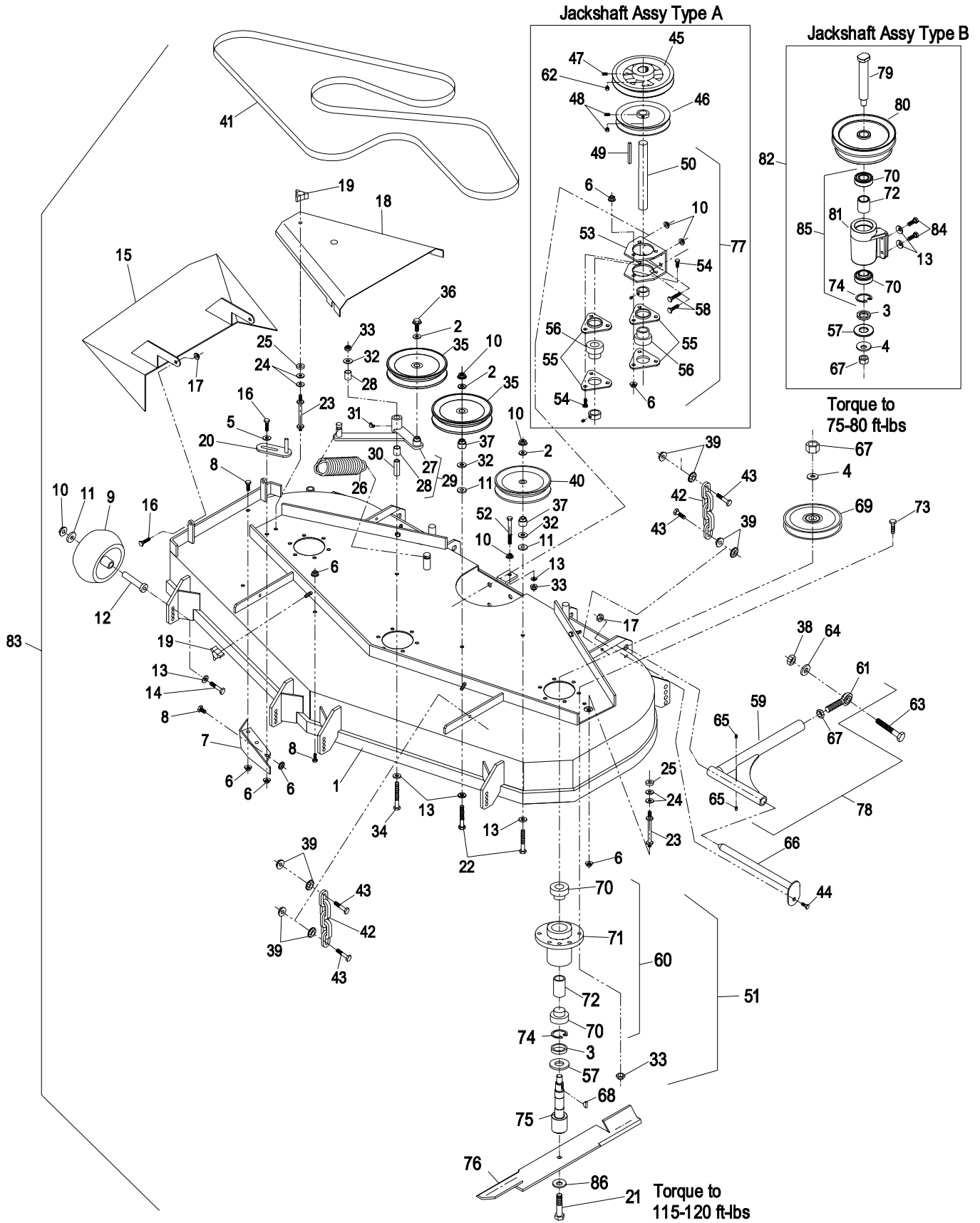
Reference the picture on the next page to determine if your unit uses Jackshaft Type A or B:

★ A component used with Jackshaft Type A on LZ25KC524 & LZ23LKA524 units.

A component used with Jackshaft Type B on LZ25KC524 units.

A component used with Jackshaft Type B on LZ23LKA524 units

52" DECK GROUP



60" DECK GROUP

Ref. No.	Part No.	Description	Qty. Req'd.	Ref. No.	Part No.	Description	Qty. Req'd.
1	103-0422-01	Deck wldmt, 60.....	1	50*❖	1-633012	Jackshaft, deck drive	1
	103-0676	Deck wldmt, 60 w/decals.....	1	51	3217-11	Nut, 5/8-11 hex	2
2	1-634619	Housing w/ring, spacer, brg....	3	52	323-20	Screw, 3/8-16 x 3 ¼	1
3	3256-24	Washer, 3/8 SAE.....	3	53*❖	1-633014-01	Bracket, jackshaft.....	1
4*❖	1-513208	Washer, disc Spring.....	3	54*❖	3230-1	Bolt, 5/16-18 x 3/4 Carr.....	6
	1-513208	Washer, disc Spring.....	4	55*❖	1-513013	Housing, flange.....	4
5	1-303334	Washer, 5/16 disc spring	1	56*❖	1-513012	Bearing w/lock collar & ss.....	2
6	32128-20	Nut, 5/16-18 whizlock	2	57*	103-1140	Cutter housing complete.....	3
❖	32128-20	Nut, 5/16-18 whizlock	14	58❖	3231-22	Bolt, 3/8-16 x 1 carr	4
7	1-602913-01	Baffle wldmt, discharge	1	59	103-1072-01	Strut wldmt, deck	2
8	322-2	Screw, 5/16-18 x 5/8	5	60*❖	1-323533	Spacer shv/brg.....	3
9	1-603299	Roller, antiscalp.....	6		1-323533	Spacer shv/brg.....	4
10	3290-357	Nut, 3/8-16 whizlock.....	6	61	1-633029	Spherical rod end.....	2
*❖	3290-357	Nut, 3/8-16 whizlock.....	10	62 *❖	1-803050	Setscrew, 5/16 x 3/4sqhdcp....	1
11	1-373034	Washer, pivot	8	63	327-11	Screw, 5/8-11 x 5	2
12	1-603602	Bushing, roller	6	64	3253-8	Lockwasher, 5/8 reg.spring.....	2
13	98-5975	Washer, 3/8 disc spring	10	65	302-19	Zerk, 1/4-28 straight.....	4
14	98-5961	Screw, 3/8-16 x 4 gr 8	6	66	1-632199-01	Pin wldmt, deck strut	2
15	1-632939-01	Chute, discharge 60".....	1	67*❖	3219-6	Nut, 5/8-18 hex	5
16	322-5	Screw, 5/16-18 x 1	2		3219-6	Nut, 5/8-18 hex	6
17	3296-29	Nut, 5/16-18 nylock	4	68	3257-32	Key, # 61 Woodruff.....	3
18	1-633084-01	Shield, belt 60"	2	69*	1-633701	Sheave, Blade drive.....	3
19	1-323385	Knob, belt shield.....	6	70*❖❖	1-513016	Bearing	6
20	1-322110	Belt guide wldmt.....	1	★	1-513016	Bearing	8
21	103-0862	Screw, 5/8-11 x 2 ¾ gr 8	3	71	1-323532	Housing, bearing.....	3
22	323-11	Screw, 3/8-16 x 2 1/4	2	72*❖	1-323528	Spacer, bearing	3
23	1-303537	Stud, belt shield.....	2		1-323528	Spacer, bearing	4
24	3256-3	Washer 5/16 std flat	6	73*❖	1-633573	Guard, brg bottom.....	3
25	1-323417	Washer, rubber	2		1-633573	Guard, brg bottom.....	4
26	1-633151	Spring, extension.....	1	74*❖	32120-8	Snap Ring	3
27	1-632119-03	Arm wldmt, deck idler.....	1		32120-8	Snap Ring	4
28	1-513034	Bearing, pivot	2	75	103-0584	Spindle.....	3
29	1-634244	Arm wldmt/brg sub-assy.....	1	76	1-633483	Blade, notched air foil	3
30	1-603044	Bushing, idler pivot.....	1		1-613250	Blade, solid air foil.....	3
31	302-40	Zerk, 1/4-20 90°	1		1-613111	Blade, low lift.....	3
32	3256-4	Washer, 3/8 std flat	3	◆	1-613112	Blade, mulching	3
33	3296-39	Nut, 3/8-16 nylock	20		103-1580	Blade, bahia.....	3
34	323-13	Screw, 3/8-16 x 2 3/4	1	77*❖	1-634546	Jackshaft S/A.....	1
35	1-633109	Idler pulley 6.00 dia flat	2	78▽*	103-1081	Strut wldmt S/A	2
36	3234-11	Bolt, 3/8-16 x 1 whizlock.....	1	▽❖	103-1106	Strut wldmt S/A	2
37	1-633456	Bushing, Idler	2	79	103-0280	Housing, Jackshaft	1
38	323-8	Screw, 3/8-16 x 1 ½	18	80	103-0136	Sheave, Jackshaft Double	1
39	32128-37	Nut, 7/16-14 whizlock.....	16		103-0137	Sheave, Jackshaft Double	1
40	1-603805	Idler pulley 5.06 O.D. V	1	81*❖	1-643393	Jackshaft	1
41	1-633127	Belt, blade drive 60" deck.....	1	82	103-0700	Jackshaft Assy.....	1
42	1-633447	Chain	4		103-0701	Jackshaft Assy.....	1
43	1-800811	Screw, 7/16-14 x 1 ½	8	83	103-0680	Complete Deck Assy	
44	322-3	Screw, 5/16-18 x ¾	2			(Air-cooled except 26HP Koh EFI) 1	
45*❖	1-303498	Sheave, 6.13 OD.....	1		103-0681	Complete Deck Assy	
*❖	1-643292	Pulley, split 6.71 OD.....	1			(23 & 27 HP Kaw liq-cooled & 26 HP Koh EFI) 1	
46*❖	1-633010	Pulley, split 6.30 OD.....	1	84	322-6	Screw. 5/16-18 x 1 ¼	1
*❖	1-643292	Pulley, split 6.71 OD.....	1	85	323-6	Screw. 3/8-16 x 1	4
47 *❖	30-1710	Setscrew, 5/16-18 x 1sqhdcp..	1	86	103-1192	Asm,Jackshaft housing w/brgs	1
48 *❖	1-803022	Setscrew,5/16-18x5/8sqhdcp .	2	87	103-0865	Washer,disc spring.....	3
49*❖	1-807264	Key, 1/4 sq x 2 5/8	1				

★ Use antiseize on bore of sheaves and bearings.

Exmark red touch up spray paint - P/N 1-850337

* Cutter housing complete includes sheave, washer, & nut.

Use Pro-lock Nut Type (P/N 1-840022) on setscrews.

◆ Requires installation of Micro-Mulch accessory for proper mulching. Mulch kit P/N MK604

▽ Strut subassemblies have same components, they are assembled to different lengths from center to center. PN 103-1081 = 15.31"; PN 103-1106 = 15.00"

Reference the picture on the next page to determine if your unit uses Jackshaft Type A or B:

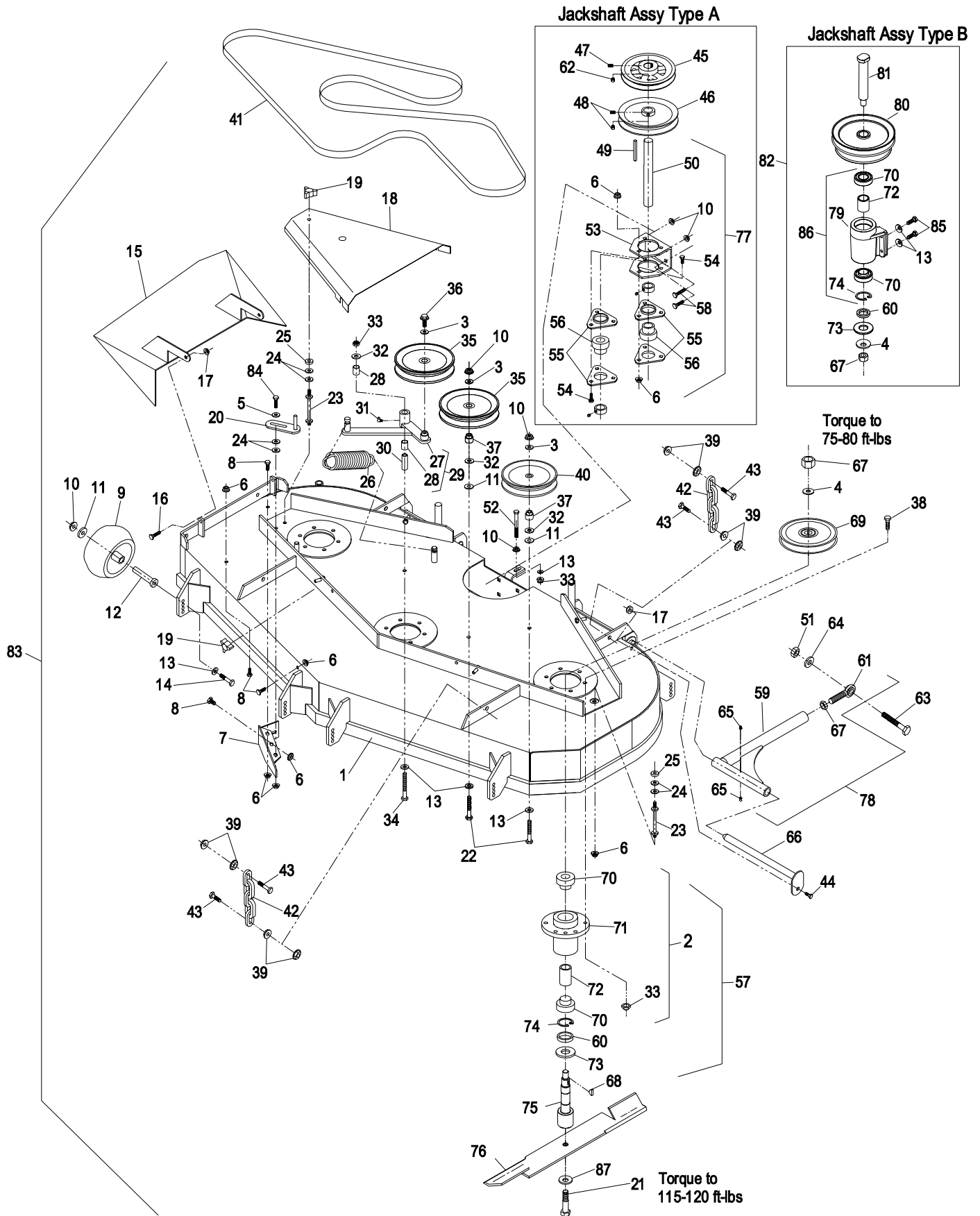
★ A component used with Jackshaft Type A on all air-cooled units except 26 HP Kohler EFI.

❖ A component used with Jackshaft Type A on 23 & 27HP Kawasaki liquid-cooled units and 26HP Kohler EFI air cooled.

A component used with Jackshaft Type B on all air-cooled units except 26 HP Kohler. Reference picture on next page.

A component used with Jackshaft Type B on 23 & 27 HP Kawasaki liquid-cooled units and 26 HP Kohler EFI air-cooled.

60" DECK GROUP



72" DECK GROUP

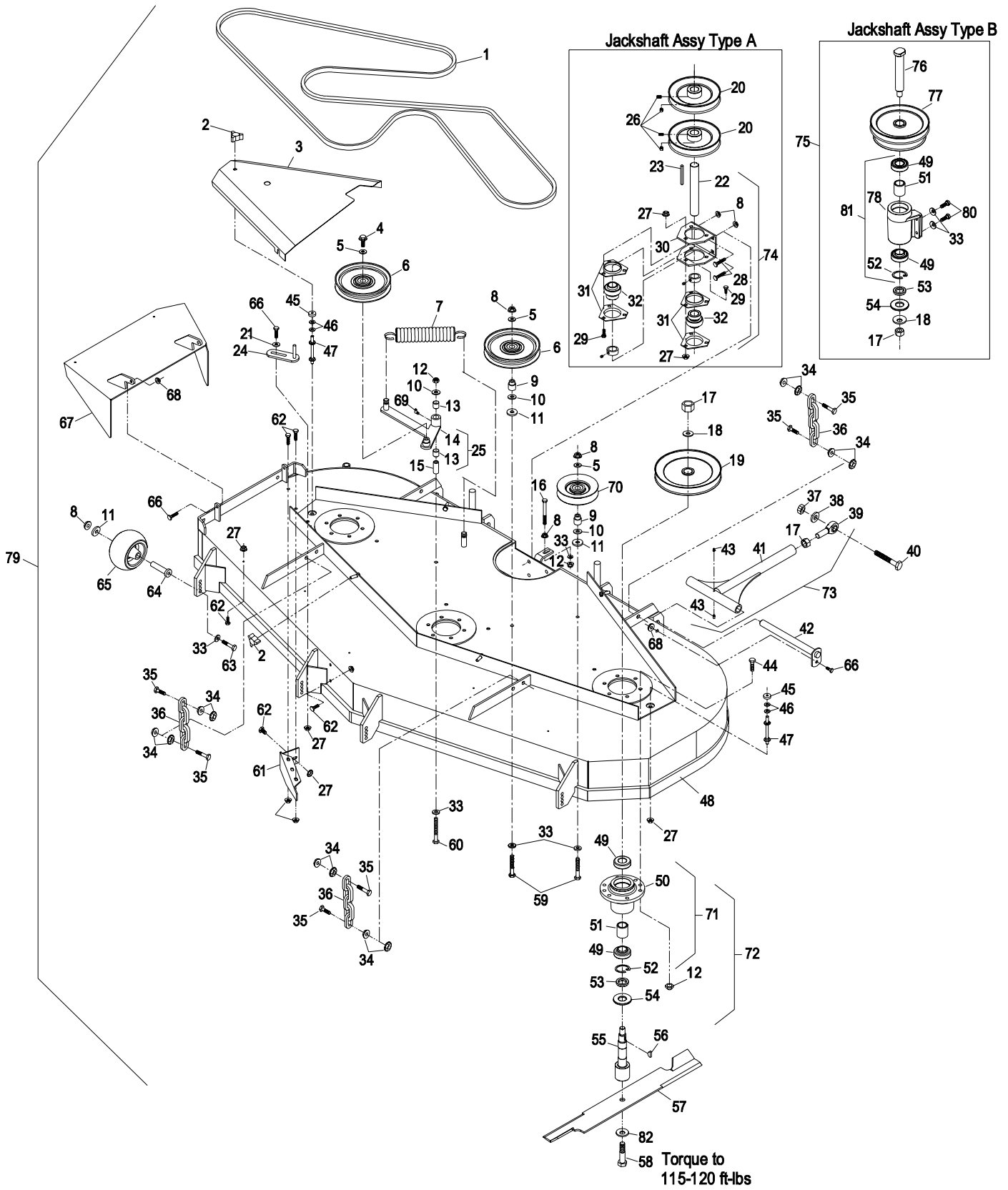
Ref. No.	Part No.	Description	Qty. Req'd.	Ref. No.	Part No.	Description	Qty. Req'd.
1	1-643052	Belt, Blade drive 72"	1	45	1-323417	Washer, rubber	2
2	1-323385	Knob, belt shield	6	46	3256-3	Washer 5/16 std flat	4
3	1-643076-01	Shield, belt 72" RH	1	47	1-303537	Stud, belt shield	2
*	1-643075-01	Shield, belt 72" LH	1	48	103-0588-01	Deck weldment, 72"	1
4	3234-11	Bolt, 3/8-16 x 1 whizlock	1		1-644149	Deck weldment, 72" w/decals	1
5	3256-24	Washer, 3/8 SAE	3	499	1-513016	Bearing	6
6	1-633109	Idler pulley 6.00 dia flat	2		1-513016	Bearing	8
7	1-633151	Spring, extension	1	50	1-323532	Housing, bearing	3
8	3290-357	Nut, 3/8-16 whizlock	13	51★	1-323528	Spacer, bearing	3
9	1-633456	Bushing, Idler	2		1-323528	Spacer, bearing	4
10	3256-4	Washer, 3/8 std flat	3	52★	32120-8	Snap Ring	3
11	1-373034	Washer, pivot	8		32120-8	Snap Ring	4
12	3296-39	Nut, 3/8-16 nyloc	20	53★	1-323533	Spacer shv/brg	3
13	1-513034	Bearing, pivot	2		1-323533	Spacer shv/brg	4
14	1-632119-03	Arm wldmt, deck idler	1	54★	1-633573	Guard, brg bottom	3
15	1-603044	Bushing, idler pivot	1		1-633573	Guard, brg bottom	4
16	323-20	Screw, 3/8-16 x 3 1/4	1	55	103-0584	Spindle	3
17★	3219-6	Nut, 5/8-18 hex	5	56	3257-32	Key, # 61 Woodruff	3
	3219-6	Nut, 5/8-18 hex	6	57	1-643006	Blade, notched air foil	3
18★	1-513208	Washer, disc spring	3	◆	1-643097	Blade, mulching	3
	1-513208	Washer, disc spring	4		1-643428	Blade, low lift	3
199	1-643269	Sheave, Blade drive	3		1-643429	Blade, solid air foil	3
20	1-643292	Pulley, split 6.71	2		103-1581	Blade, bahia	3
21	1-303334	Washer, 5/16 disc spring	1	58	103-0862	Screw, 5/8-11 x 1 gr 8	3
22★	1-633012	Jackshaft, deck drive	1	59	323-11	Screw, 3/8-16 x 2 1/4	2
23★	1-807264	Key, 1/4 sq x 2 5/8	1	60	323-13	Screw, 3/8-16 x 2 3/4	1
24	1-322110	Belt guide wldmt	1	61	1-602913-01	Baffle wldmt, discharge	1
25	1-634244	Arm wldmt/brg sub-assy	1	62	322-2	Screw, 5/16-18 x 5/8	5
26 ★	1-803022	Setscrew, 5/16-18x5/8shcp ..	4	63	98-5961	Screw, 3/8-16 x 4 gr8	6
27★	32128-20	Nut, 5/16-18 whizlock	15	64	1-603602	Bushing, roller	6
28★	3231-22	Bolt, 3/8-16 x 1 carr	4	65	1-603299	Roller, anti-scalp	6
29★	3230-1	Bolt, 5/16-18 x 3/4 Carr.	6	66	322-5	Screw, 5/16-18 x 1	5
30★	1-633014-01	Bracket, jackshaft	1	67	1-642071-01	Chute, discharge 72"	1
31★	1-513013	Housing, flange	4	68	329-29	Nut, 5/16-18 nyloc	4
32★	1-513012	Bearing w/lock collar & ss	2	69	302-40	Zerk, 1/4-20 90°	1
33★	98-5975	Washer, 3/8 disc spring	10	70	1-603805	Idler pulley 5.06 O.D. V	1
	98-5975	Washer, 3/8 disc spring	14	71	1-634619	Housing w/ring, spacer, brg ..	3
34	32128-37	Nut, 7/16-14 whizlock	16	72*	1-644092	Cutter housing complete	3
35	1-800811	Screw, 7/16-14 x 1-1/2	8	73	103-1082	Strut wldmt S/A	2
36	1-633447	Chain	4	74	1-634546	Jackshaft S/A	1
37	3217-11	Nut, 5/8-11 hex	2	75	103-0701	Jackshaft Assy	1
38	3253-8	Lockwasher, 5/8 reg.spring ..	2	76	1-643393	Jackshaft	1
39	1-633029	Spherical rod end	2	77	103-0137	Sheave, double	1
40	327-11	Screw, 5/8-11 x 5	2	78	103-0280	Housing, Jackshaft	1
41	103-1073-01	Strut wldmt, deck	2	79	103-0683	Complete deck assembly	1
42	1-632199-01	Pin wldmt, deck strut	2	80	323-6	Screw, .3/8-16 x 1	4
43	302-19	Zerk, 1/4-28 straight	4	81	103-1192	Asm, Jackshaft housing w/brgs	1
44	323-8	Screw, 3/8-16 x 1 1/2	18	82	103-0865	Washer, disc spring	3

- ◆ Requires installation of Micro-Mulch accessory for proper mulching. Mulch kit P/N MK724.
- 9 Use antiseize on bore of sheaves and bearings.
Use Pro-lock Nut Type (P/N 1-840022 .5 ml. tube) on setscrews.
Exmark red touch up spray paint - P/N 1-850337
- * Cutter housing complete includes sheave, washer, and nut.

Reference the picture on the next page to determine if your unit uses Jackshaft Type A or B:

- ★ A component used with Jackshaft Type A.
A component used with Jackshaft Type B.

72" DECK GROUP



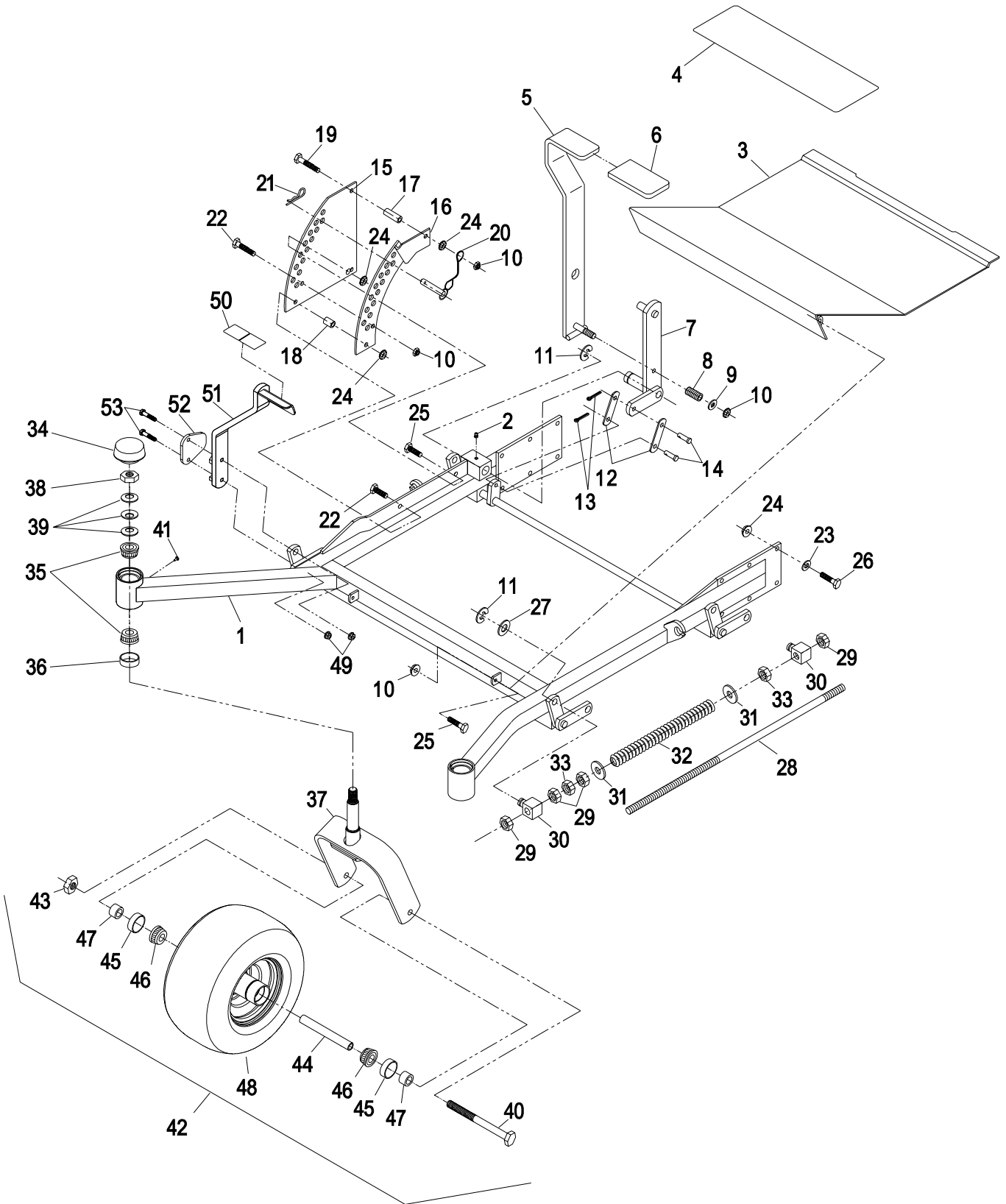
FRONT FRAME GROUP

Ref. No.	Part No.	Description	Qty. Req'd.	Ref. No.	Part No.	Description	Qty. Req'd.
1	1-632518-01	Frame wldmt, front 52".....	1	29	3217-11	Nut, 5/8-11 regular.....	8
	1-632513-01	Frame wldmt, front 60".....	1	30	1-633441	Swivel, deck mount.....	4
	1-642046-01	Frame wldmt, front 72".....	1	31	3256-7	Washer, 5/8 std flat	4
2	302-19	Zerk, 1/4-28 straight.....	5	32	1-633064	Spring, deck support (52" &60")	2
3	103-1490-01	Floorpan	1		1-643015	Spring, deck support (72")..	2
4	1-633553	Pad, anti skid.....	3	33	3218-6	Jam nut, 5/8-11	4
5	1-634312	Lever w/grip.....	1	34	1-543513	Cap, grease	2
	1-632324-03	Lever wldmt, lift	1	35	1-543509	Bearing cone, tapered roller	4
6	1-633295	Grip, lift lever	1		1-543508	Bearing cup, tapered roller .	4
7	103-1500-03	Arm wldmt, deck lift.....	1	36	1-543511	Seal, grease.....	2
8	1-633325	Spring, compression	1	37	1-642111-01	Caster wldmt.....	2
9	3256-24	Washer, 3/8 SAE flat.....	1	38	3296-51	Nut, 3/4-10 nylock.....	2
10	3296-39	Nut, nylock 3/8-16	5	39	1-633508	Washer, spring disk.....	6
11	32151-103	E-ring	5	40	325-24	Screw 1/2-13x9	2
12	1-633068	Arm, deck lift	2	41	1-811010	Plug	2
13	3272-10	Cotter pin, 1/8 x 3/4.....	2	42	103-0069	Caster wheel assy	2
14	1-808284	Clevis pin, 3/8 x 1	2	43	3296-45	Nut, 1/2-13 nylock (light thin) ..	2
15	1-633889-01	Plate, deck lift.....	1	44	1-633959	Spacer, front caster	2
16	1-632899-01	Plate wldmt, deck lift	1	45	103-0063	Seal, bearing.....	4
17	1-633082	Bushing, lift lever	1	46	1-633585	Bearing cone.....	4
18	1-633080	Bushing, lift lever	1	47	1-633581	Spacer, bearing.. ..	4
19	323-13	Screw, 3/8-16 x 2 3/4	1	48	103-0065	Wheel & tire assy	2
20	1-633097	Hitch pin w/lanyard	1		1-523009	Tire, 13x6.5-6 4 ply	2
21	1-806005	Hairpin cotter (serv only)	1		103-0071	Wheel	2
22	323-9	Screw, 3/8-16 x 1 3/4	2		1-633584	Bearing cup.....	4
23	98-5975	Washer, 3/8 disc spring.....	12	49▽	32128-20	Nut, whizlock 5/16-18.....	2
24	3290-357	Nut, whizlock 3/8-16	15	50▽	1-543161	Pad, pedal.....	2
25	323-6	Screw, 3/8-16 x 1	3	51▽	103-0147-01	Lever wldmt, deck lift	1
26	323-7	Screw, 3/8-16X1 1/4.....	12	52▽	1-643220	Strap	1
27	3256-29	Washer, 7/8 SAE flat.....	4	53▽	322-7	Screw, 5/16-18x1 1/2	2
28	1-633096	Rod, deck lift.....	2				

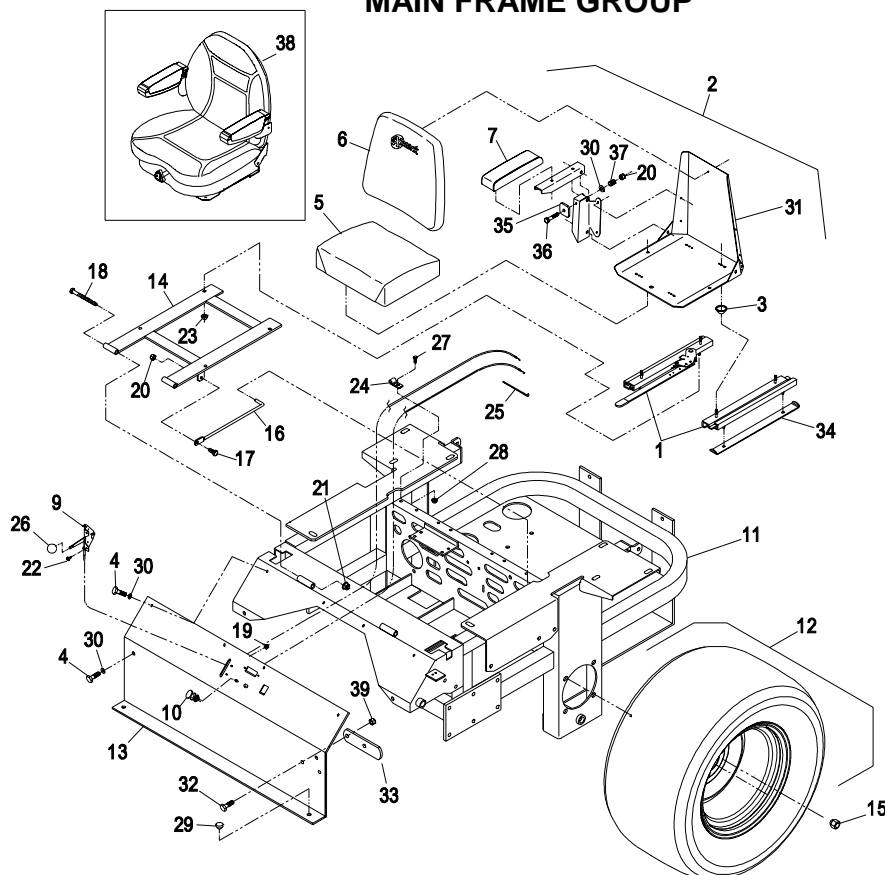
Exmark red touch up spray paint - P/N 850337

▽ Components are standard on Kohler 26 HP EFI units & all 72" decks, they are an optional kit for other models PN 103-0149.

FRONT FRAME GROUP



MAIN FRAME GROUP



Ref. No.	Part No.	Description	Qty. Req'd.	Ref. No.	Part No.	Description	Qty. Req'd.
1	1-643255	Track, seat (4" adjustable) ...	1	23	32128-20	Nut, whizlock 5/16-18	4
2	103-0287	Seat (All units except 26hp Koh)	1	24	1-513762	Clip, loom (.50)	1
3	1-543401	Spacer, seat track	2	25	1-303335	Plastic tie (lrg)	1
4	322-3	Screw, 5/16-18 x 3/4	6	26	1-513592	Ball, (red) throttle cable	1
5	103-0290	Cushion, seat	1	27	321-6	Screw, 1/4-20 x 1.0	1
6	103-0289	Cushion, backrest	1	28	32128-33	Nut, whizlock 1/4-20	1
7	103-0292	Cushion, armrest (RH)	1	29	1-513658	Bumper	2
8*	103-0291	Cushion armrest (LH)	1	30	3256-23	Washer, 5/16 SAE flat	8
9	1-633696	Cable, throttle	1	31	1-633859	Seat Frame	1
10	1-603336	Cable, choke	1	32	323-6	Screw, 3/8-16 x 1	2
11	1-642324-03	Frame, engine deck	1	33	1-633964-03	Stop, Park Brake	1
12	1-633970	Wheel/tire assy. (60" & 72") ..	2	34♦	1-633872-03	Stop/Spacer	
	1-633993	Tire, 24x12-12 4 ply (60" & 72")	2			(26 HP Kohl & 23 & 27 HP Kaw liq-cooled)	2
	1-633992	Wheel (60" & 72")	2	35	103-0284	Tab, Armrest Adjustment	2
	1-653010	Wheel/tire assy. (52")	2	36	322-7	Screw, 5/16-18 x 1 1/2	2
	1-653160	Tire, 23x9.5-12 4 ply (52")	2	37	1-633349	Spring, Compression	2
	1-653158	Wheel (52")	2	38∇	1-633821	Seat, Suspension (26hp Koh)	1
13	1-633965-03	Front, Console	1		1-631845	Kit, Pan w/seat & back	1
14	1-632187-03	Frame, seat mount	1		1-631844	Kit, Armrest Assy	1
15	242-50	Nut, wheel 1/2-20	8		1-631843	Kit, Boot, upper&lower wire ..	1
16	1-633293	Rod, seat hold-up	1		1-631842	Kit, ArmrestPad w/hardwre ...	1
17	322-5	Screw, 5/16-18 x 1	1		1-631846	Kit, Damper w/hardware	1
18	323-39	Screw, 3/8-16 x 5	2		1-631847	Kit, Rollers, bumpers&hrdwre	1
19	3296-2	Nut, nyloc #10-24	2		1-631848	Kit, Spring,Cable & hardware	1
20	3296-29	Nut, nyloc 5/16-18	3		1-631849	Kit, Knob,Shaft & hardware ..	1
21	3296-39	Nut, nyloc 3/8-16	2		1-643281	Switch, Seat	1
22	1-807513	Screw, #10-24 x 1/2	2	39	3290-357	Nut, whizlock 3/8-16	1

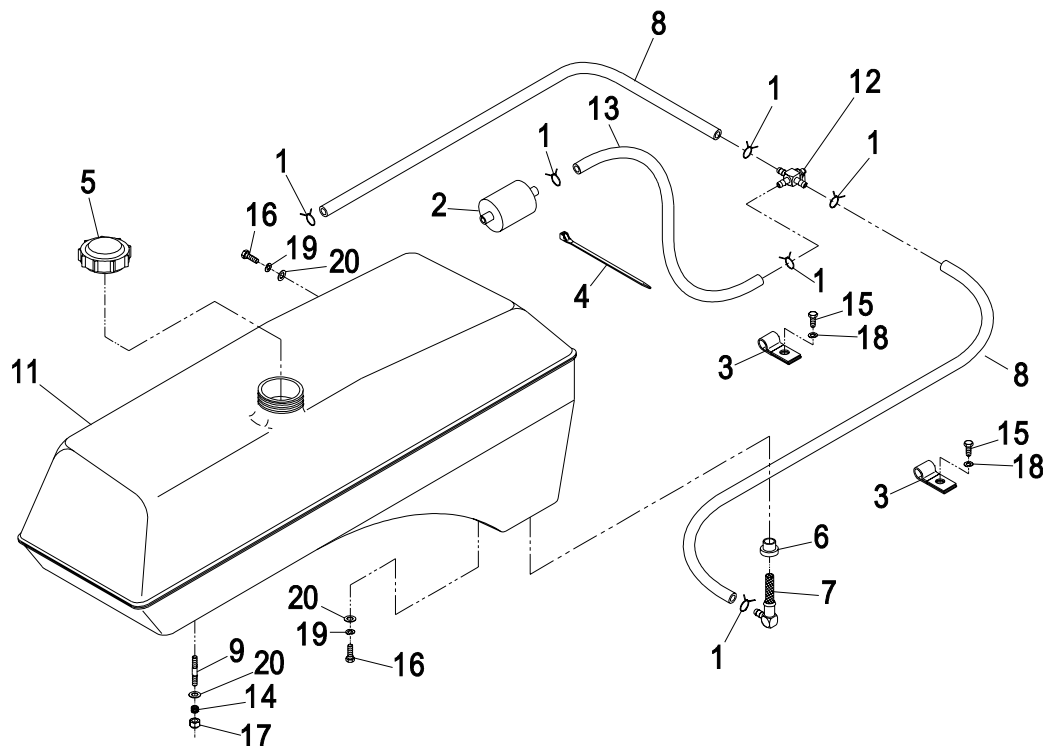
* Not Illustrated

∇ The suspension seat is standard on the Kohler 26 HP EFI units, it is an optional kit on other units PN MSSSLZ.

♦ The stop/spacer is installed with the slotted holes to the rear on 26HP Kohler units and the slotted holes to the front on Kawasaki liquid-cooled units. NOTE: If a Suspension Seat is installed on a Kawasaki liquid-cooled unit the stop/spacer must be turned around and re-installed with the slotted holes to the rear.

Exmark black touch up spray paint - gloss black

23 HP KAWASAKI and 23 & 25 HP KOHLER AIR-COOLED FUEL GROUP



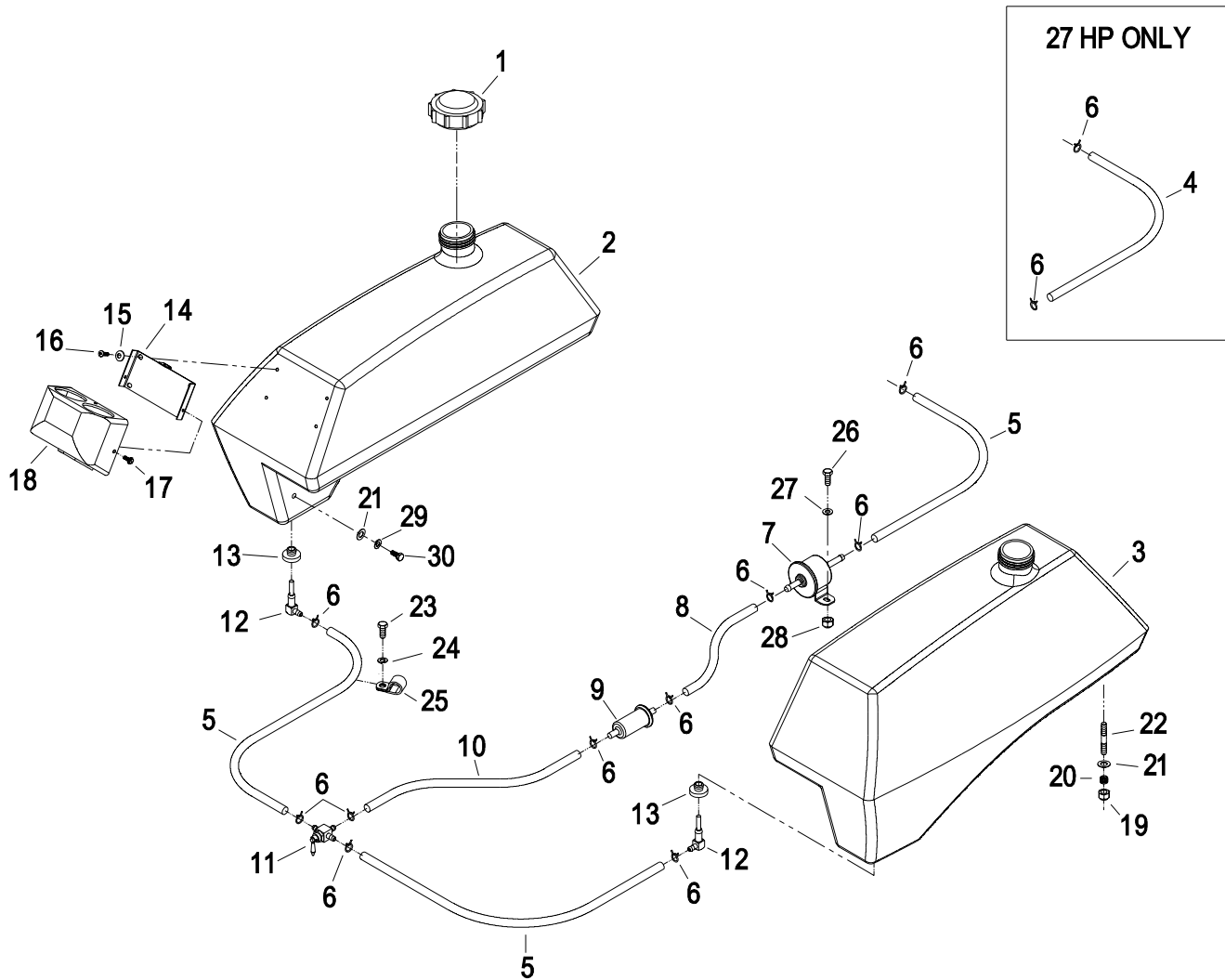
Ref. No.	Part No.	Description	Qty. Req'd.	Ref. No.	Part No.	Description	Qty. Req'd.
1	303077	Clamp, fuel line	6	11	633968	Tank, fuel (RH)	1
2	⊠ Kohler	Part No. 2405002 Fuel Filter..	1	12	633347	Valve, fuel	1
	⊠ Kawasaki	Part No. 49019-7001 Fuel Filter	1	13	633348	Fuel line	1
3	513762	Clip, loom .50	2	14	633349	Spring, fuel tank.....	6
4	303335	Plastic tie (large)	1	15	321-3	Screw, 1/4-20 x 5/8.....	2
5	513508	Cap, fuel tank.....	2	16	322-3	Screw, 5/16-18 x 3/4.....	4
6	513645	Bushing	2	17	3296-47	Nut, thin nylock 5/16-18	6
7	543277	Elbow, strainer	2	18	805004	Washer, lock 1/4.....	2
8	543456	Fuel line.....	2	19	805005	Washer, lock 5/16.....	4
9	◆ 633023	Stud, fuel tank	6	20	3256-23	Washer, 5/16 SAE.....	10
10*	633967	Tank, fuel (LH)	1				

◆ Use Prolock, Retaining type (Part No. 1-840023), .5cc tube on stud threads going into the tank.

* Not Illustrated.

⊠ Refer to Engine Owner's Manual (Fuel Filter **Must** be 15 Micron or smaller).

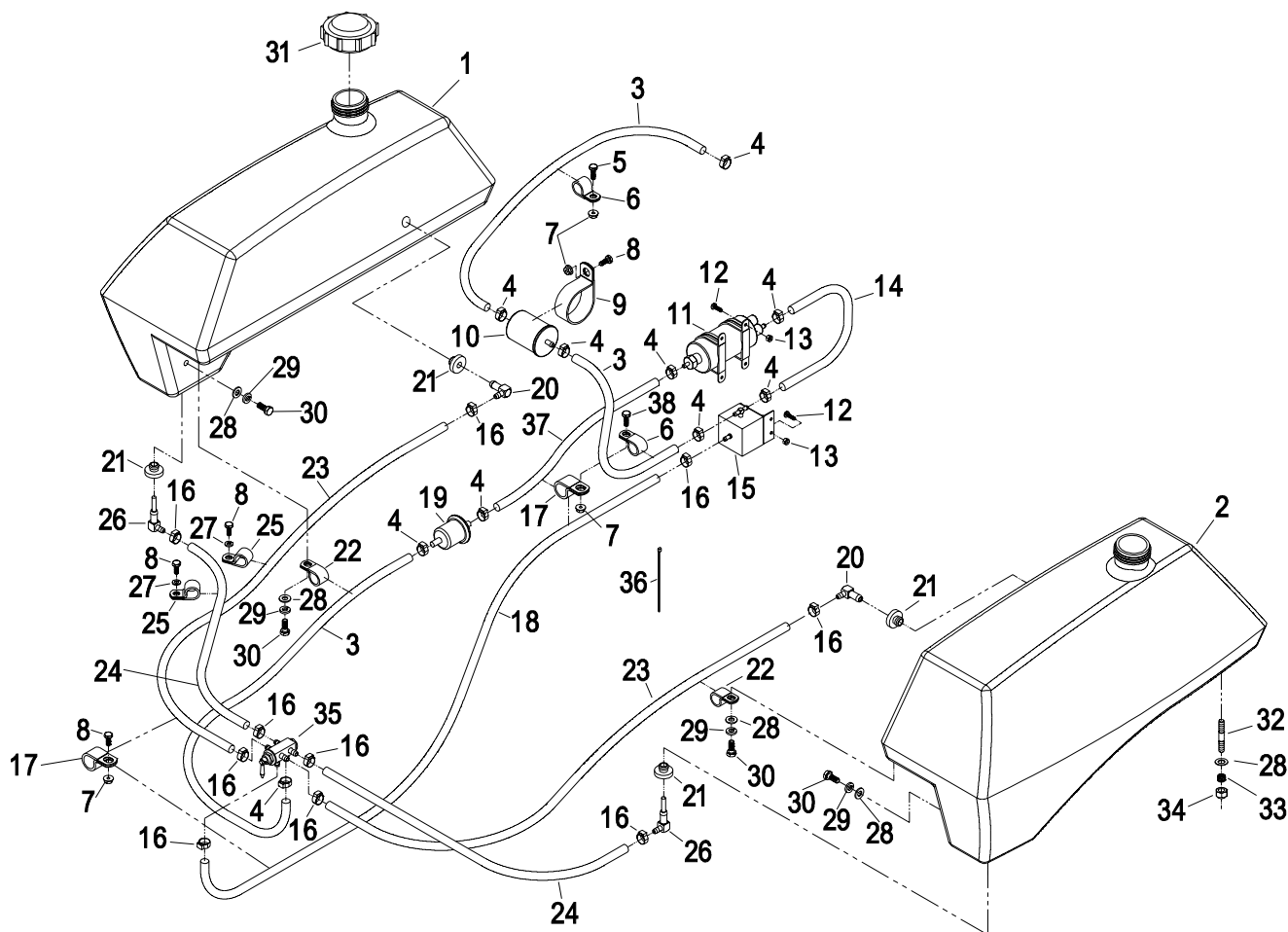
KAWASAKI LIQUID-COOLED FUEL GROUP



Ref. No.	Part No.	Description	Qty. Req'd.	Ref. No.	Part No.	Description	Qty. Req'd.
1	1-513508	Cap, fuel tank.....	2	16▽	3290-500	Screw, Machine 10-24x5/8...	4
2	1-643017	Tank, fuel (RH).....	1	17	1-802002	Screw, thread cut 10-32x1/2	3
3	1-633967	Tank, fuel (LH)	1	18	1-643013	Cover, gauge.....	1
4	103-1335	Fuel, line (27 HP only)	4	19	3296-47	Nut, thin nyloc 5/16-18	6
5	1-543456	Fuel line (23 HP)	3	20	1-633349	Spring, fuel tank	6
	1-543456	Fuel line (27 HP)	2	21	3256-23	Washer, 5/16 SAE.....	10
6	1-303077	Clamp, fuel line	10	22◆	1-633023	Stud, fuel tank	6
7⊠	Kawasaki P/N 49040-2065	Fuel Pump..	1	23	321-3	Screw, 1/4-20 x 5/8	1
8	1-643270	Fuel line	1	24	1-805004	Washer, lock 1/4	1
9⊠	Kawasaki P/N 49019-1055	Fuel Filter ...	1	25	1-513762	Clip, loom .50	1
10	1-303426	Fuel line	1	26	321-4	Screw, Cap 1/4-20x3/4.....	2
11	1-633347	Valve, fuel	1	27	3256-22	Washer, flat SAE 1/4.....	2
12	1-543277	Elbow, strainer	2	28	32128-33	Nut, whizlock 1/4-20	2
13	1-513645	Bushing	2	29	1-805005	Washer, lock 5/16	4
14	1-643014-03	Bracket, gauge mount.....	1	30	322-3	Screw, 5/16-18 x 3/4	4
15	1-303435	Washer, disc spring 1/4	4				

- ◆ Use Prolock, Retaining type (Part No. 1-840023), .5cc tube on stud threads going into the tank.
- ⊠ Refer to Engine Owner's Manual (Fuel Filter **Must** be 40 Micron or smaller).
- ▽ Snug fit only on slotted holes, **Do Not Overtighten**, tank must be able to expand.

KOHLER 26 HP EFI FUEL GROUP



Ref. No.	Part No.	Description	Qty. Req'd.	Ref. No.	Part No.	Description	Qty. Req'd.
1	1-643244	Tank, EFI Fuel (RH)	1	20	1-643172	Elbow, 90°	2
2	1-643243	Tank, EFI Fuel (LH)	1	21	1-513645	Bushing, Fuel Valve	4
3	1-643238	Fuel line, .31 x 24"	3	22	103-0373	Clip, Loom	2
4▲	1-643277	Clamp, .31 I.D. Fuel Hose ...	10	23	1-633348	Fuel Line.....	2
5	321-4	Screw, Cap 1/4 -20 x 3/4	1	24	1-543456	Fuel Line.....	2
6	1-603727	Clip, Loom .56.....	2	25	1-513762	Clip, loom .50	2
7	32128-33	Nut, Whizlock 1/4-20	4	26	1-543277	Elbow, 90° w/strainer.....	2
8	321-3	Screw, Cap 1/4 -20 x 5/8	3	27	1-805004	Washer, lock 1/4	2
9	1-643241	Clip, Loom 2.13	1	28	3256-23	Washer, flat SAE 5/16.....	10
10☒	Kohler P/N 24 050 03	Fuel Filter (large) .	1	29	1-805005	Washer, lock 5/16 hvy.....	4
11☒	Kohler P/N 24 393 20	Fuel Pump	1	30	322-3	Screw, 5/16-18 x 3/4	4
12	3290-500	Screw, Machine #10-24x5/8	6	31	1-513508	Cap, Fuel Tank.....	2
13	3296-2	Nut, Nyloc #10-24	6	32◆	1-633023	Stud, Fuel Tank.....	6
14	1-643236	Fuel Line, .31 x 9	1	33	1-633349	Spring, Fuel Tank.....	6
15☒	Kohler P/N 24 403 12	Fuel Regulator.....	1	34	3296-47	Nut, Thin Nyloc 5/16-18.....	6
16▲	1-643293	Clamp, .25"	10	35	1-643234	Valve, Fuel Dual Flow	1
17	1-643312	Clip, loom.....	2	36	1-303287	Plastic Tie (small	1
18	1-643235	Fuel line, .25 x 40"	1	37	1-643239	Fuel line, .31 x 28.0.....	1
19	99-9403	Fuel Filter.....	1	38	321-6	Screw, Cap 1/4-20 x 1.....	1

- ◆ Use Prolock, Retaining type (Part No. 1-840023), .5cc tube on stud threads going into the tank.
- ☒ Refer to Engine Owner's Manual (Fuel Filter **Must** be 40 Micron or smaller).
- ▲ Clamps require special pliers P/N 1-643394 (Oetiker P/N 14100118 or Kohler P/N 2445505) for installation.

PARK BRAKE GROUP

Ref. No.	Part No.	Description	Qty. Req'd.	Ref. No.	Part No.	Description	Qty. Req'd.
1	1-513140	Bushing.....	2	19	1-808285	Pin, clevis 3/8 x 1 1/8	4
2	1-633454	Spring, brake rod	2	20	325-17	Screw, 1/2-13 x 4 (52"&60")	8
3	1-633477	Rod, brake	3		1-800334	Screw, 1/2-13 x 6 (72").....	8
4	1-634500	Lever w/grip	1	21	1481	Zerk, 1/4-28 45° (52"&60")	2
	1-632489-03	Lever, brake.....	1		302-19	Zerk, 1/4-28 straight (72")	2
5	1-632217-03	Shaft, brake	1	22	103-0131	Nut, sq reg 1/2-13 UNC-2B	8
6❖	1-632714-03	Bracket, brake (LH)(52"&60")	1	23	3219-3	Nut, 3/8-24.....	8
❖	1-632712-03	Bracket, brake (LH) (72")....	1	24	3290-357	Nut, whizlock 3/8-16	4
7❖❖	1-632715-03	Bracket, brake (RH)(52"&60")	1	25	3253-7	Washer, lock 1/2	8
❖	1-632713-03	Bracket, brake (RH)(72")	1	26	3256-4	Washer, 3/8 std.....	4
8	1-809036	Nut, slotted 1.00-20	2	27❖	3272-10	Pin, cotter 1/8 x 3/4	9
9❖	1-633693	Band, brake	2	28	1-806800	Pin, cotter 9/64 x 1 1/2	2
10	1-633380	Spacer (short)(52"&60").....	4	29❖	1-808283	Pin, clevis 3/8 x 2	2
	1-633060	Spacer (short) (72")	4	30❖	3256-28	Washer, 3/4 SAE	2
11	1-633382	Spacer (long)(52"&60").....	4	31❖	32151-48	E-Ring, retaining.....	2
	1-633062	Spacer (long)(72")	4	32	1-523157	Washer, spacer.....	2
12	1-633102	Bearing, flange.....	2	33★	103-0352-03	Bracket, brake (52"& 60")...	2
13	1-633131	Yoke.....	4	★	103-0354-03	Bracket, brake (72")	2
14	1-633144	Pin, trunion.....	2	34★	103-0384	Spacer	6
15❖	1-634927	Hub & drum w/studs, wheel	2	35★	103-0355	Band, Brake.....	2
◆	1-633926	Studs, wheel	8	36★	103-0374	Retainer, Brake Band.....	2
16	1-807020	Woodruff key, 5/16X1	2	37★	322-9	Screw, HH .312-18x1.75	6
17	1-633268	Grip, brake lever	1	38★	103-0590	Hub & drum w/studs, wheel	2
18	323-4	Screw, 3/8-16 x 3/4.....	4	◆	1-633926	Studs, wheel.....	8

◆ Not Illustrated

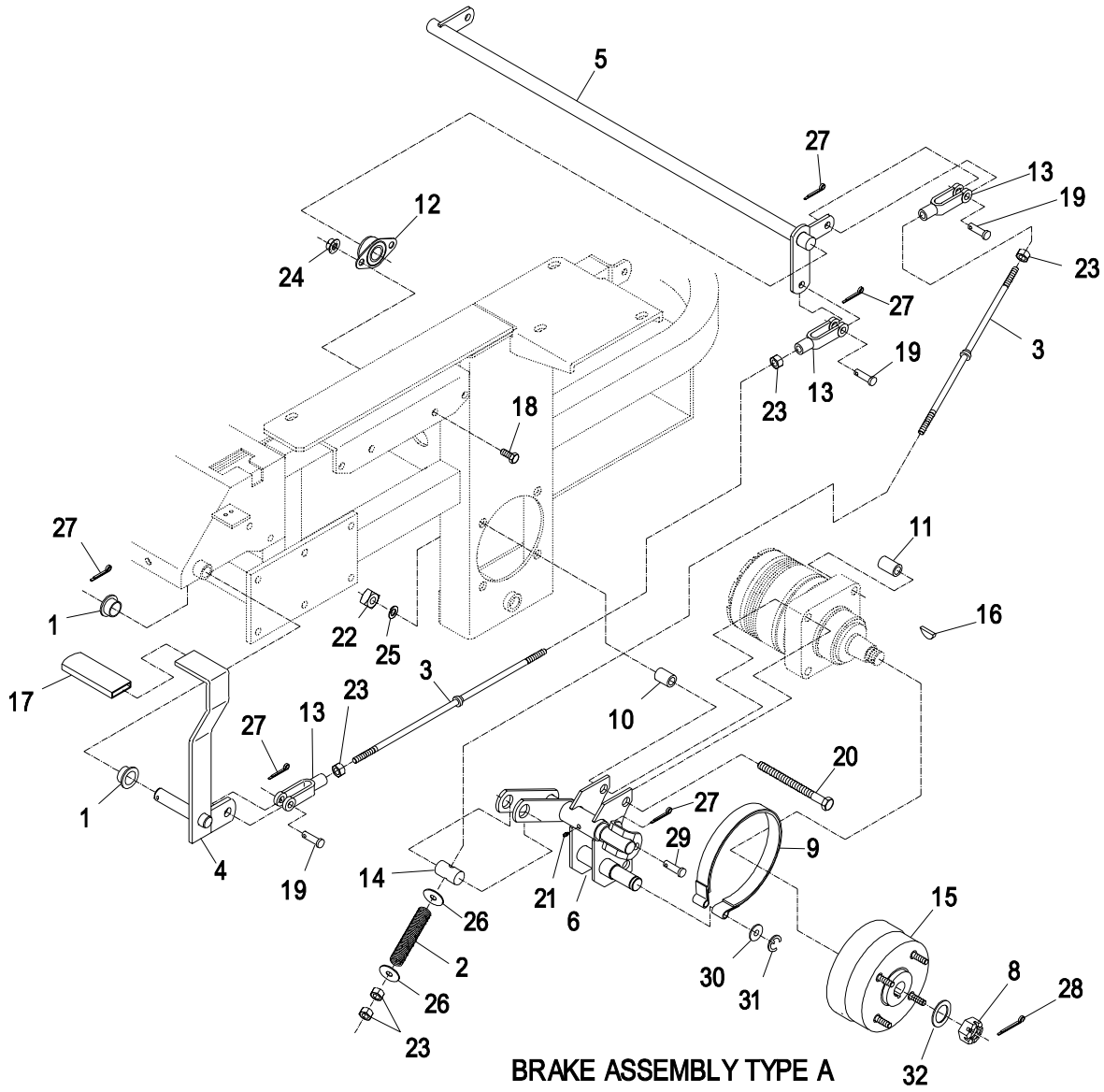
Reference the picture on the next page to determine if your unit uses Park Brake Type A or B:

❖ A Component used with Park Brake Type A.

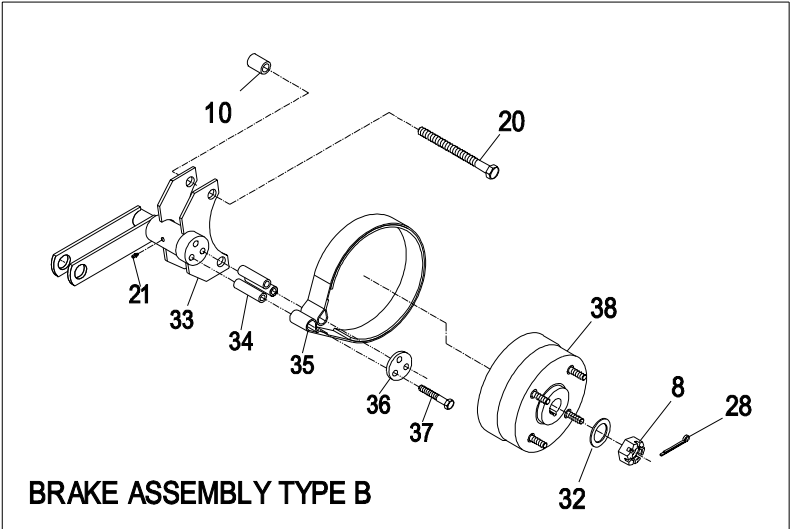
★ A Component used with Park Brake Type B.

Exmark black touch up spray paint - gloss black

PARK BRAKE GROUP

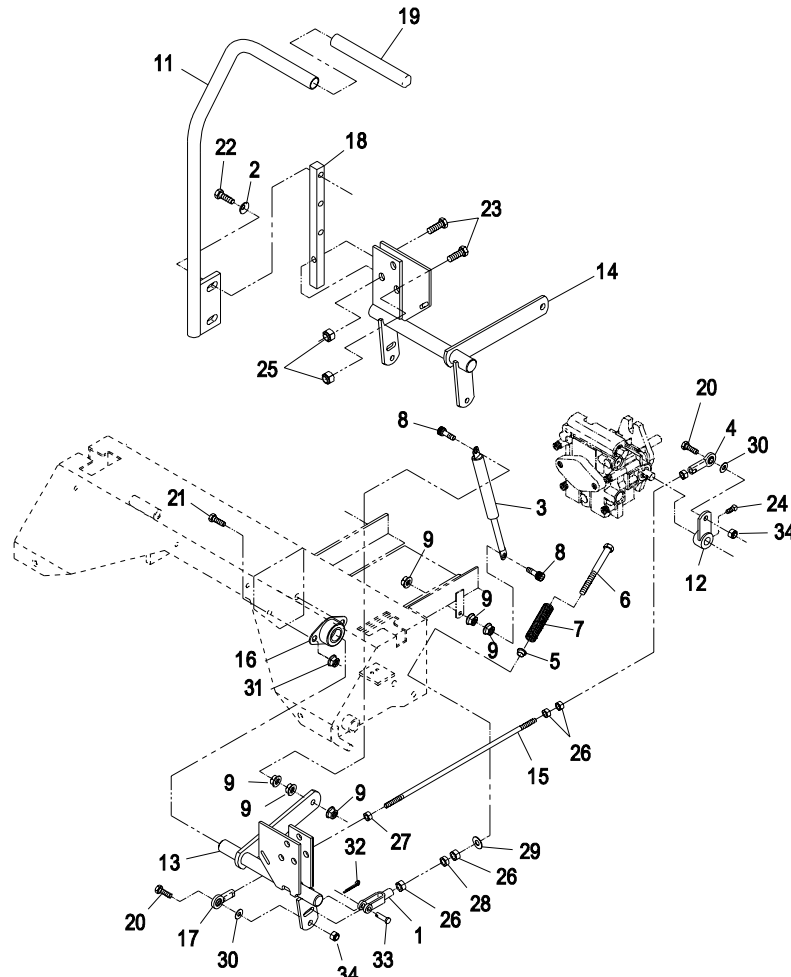


BRAKE ASSEMBLY TYPE A



BRAKE ASSEMBLY TYPE B

MOTION CONTROL LEVERS



Ref. No.	Part No.	Description	Qty. Req'd.	Ref. No.	Part No.	Description	Qty. Req'd.
1	1-303105	Yoke	2	16	1-633102	Bearing, flanged.....	4
2	98-5975	Washer, disc spring 3/8	4	17	1-633152	Ball joint (LH)	2
3	1-523027	Damper	2	18φ	103-0407	Arm, control shaft.....	2
4	1-543017	Ball joint (RH)	2		1-633177	Arm, control shaft.....	2
5	1-603735	Bushing, nylon (reverse ind)	2	19	1-633257	Grip, motion control handle	2
6	1-603737	Bolt, (neutral return)	2	20	322-6	Screw, 5/16-18 x 1 1/4	4
7	1-603807	Spring, (neutral return)	2	21	323-4	Screw, 3/8-16 x 3/4	8
8	1-403180	Screw, 5/16-18x1 3/8 special	4	22	323-7	Screw, 3/8-16 x 1	4
9	32128-20	Nut, whizlock 5/16-18	12	23	323-9	Screw, 3/8-16 x 1 3/4	6
10*φ	103-0631	Handle w/grip (LH)	1	24	1-803022	Set screw, 5/16 x 5/8	2
	1-634258	Handle w/grip (LH)	1	25	3296-39	Nut, nyloc 3/8-16.....	6
φ	103-0409-03	Handle, motion control (LH)	1	26	3219-2	Nut, 5/16-24	10
	1-632191-03	Handle, motion control (LH)	1	27	1-804524	Nut, 5/16-24 (LH)	2
11φ	103-0632	Handle w/grip (RH).....	1	28	3220-2	Nut, jam 5/16-24	2
	1-634259	Handle w/grip (RH).....	1	29	3256-2	Washer, 1/4	2
φ	103-0410-03	Handle, motion control (RH)	1	30	3256-3	Washer, 5/16 std	4
	1-632193-03	Handle, motion control (RH)	1	31	3290-357	Nut, whizlock 3/8-16.....	8
12	1-632208-03	Arm, pump control.....	2	32	3272-5	Pin, cotter 3/32 x 1/2.....	2
13	1-642319	Bracket, motion control (LH)	1	33	1-808280	Pin, clevis 5/16 x 1	2
14	1-642320	Bracket, motion control (RH)	1	34	3296-29	Nut, nyloc 5/16-18.....	4
15	1-633153	Link, pump control.....	2				

* Not Illustrated.

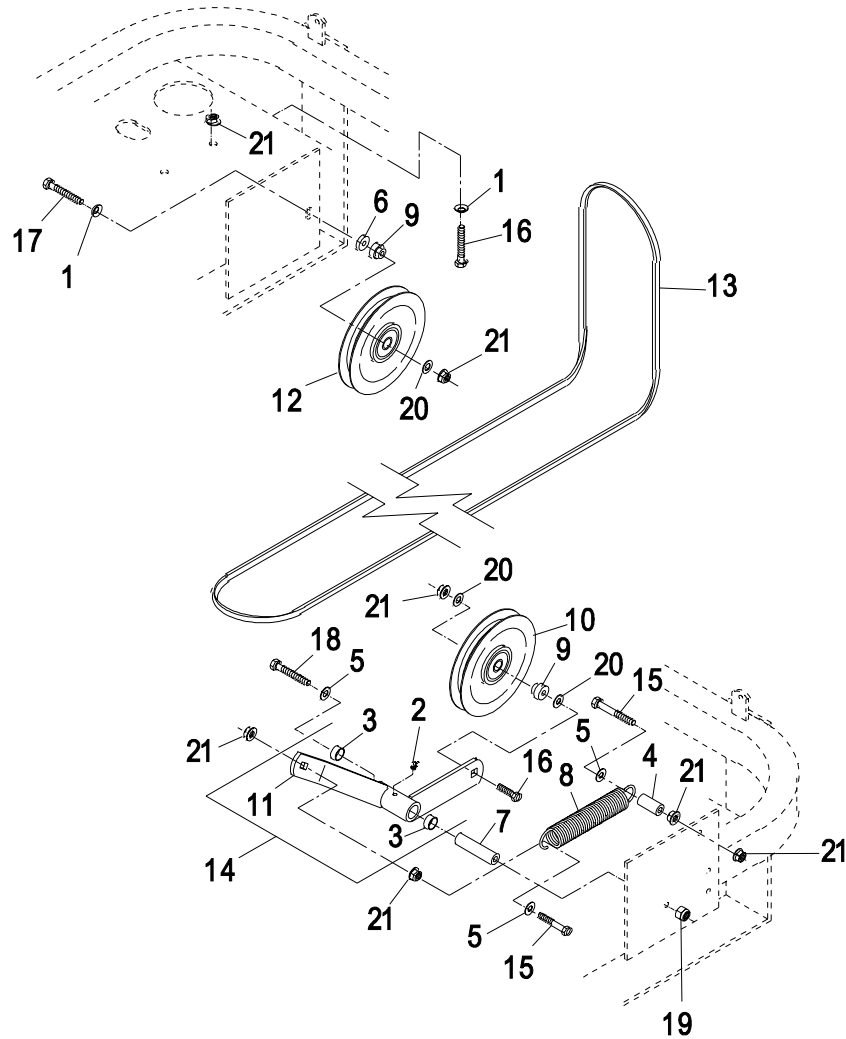
Exmark black touch up spray paint - gloss black

Use Pro-Lock, Nut Type (P/N 1-840022, .5ml tube) on setscrews

Components required for units with older motion control assemblies (Identified by 2 holes in upper portion of motion control shaft (item 18))

φ Components required for units with newer motion control assemblies (Identified by 3 holes in upper portion of motion control shaft (item 18))

COMMON ENGINE DECK GROUP



Ref. No.	Part No.	Description	Qty. Req'd.	Ref. No.	Part No.	Description	Qty. Req'd.
1	98-5975	Washer, spring disc 3/8	5	12	1-633166	Pulley, idler.....	1
2	302-40	Zerk, 1/4-20 (90°).....	1	13	1-633173	Belt, mule drive	1
3	1-513034	Bearing.....	2	14	1-632469	Arm, idler w/bushings.....	1
4	1-603401	Spacer, spring.....	1	15	323-11	Screw, 3/8-16 x 2 1/4	2
5	3256-4	Washer, 3/8	3	16	323-9	Screw, 3/8-16 x 1 3/4 (Koh)	5
6	1-603050	Spacer	1		323-9	Screw, 3/8-16 x 1 3/4 (Kaw)	1
7	1-603384	Bushing, idler pivot.....	1	17	323-13	Screw, 3/8-16 x 2 3/4	1
8	1-603402	Spring, mule idler	1	18	1-800805	Screw, 3/8-16 x 3 1/2	1
9	1-603496	Bushing, idler	2	19	3296-39	Nut, nyloc 3/8	1
10	1-603805	Pulley, idler	1	20	3256-24	Washer, 3/8 sae.....	3
11	1-632468-03	Arm, idler	1	21	3290-357	Nut, whizlock 3/8-16.....	10

Exmark black touch up spray paint - gloss black

AIR-COOLED ENGINE DECK GROUP

Ref. No.	Part No.	Description	Qty. Req'd.	Ref. No.	Part No.	Description	Qty. Req'd.
1	1-643315	Baffle, Engine Cooler	1	33	32128-33	Nut, whizlock 1/4-20	5
2	1-303335	Plastic tie	1	34	1-633396	Clip, loom .56.....	1
3	1-523420	Bumper, rubber	2	35	1-809076	Screw, M6-1.0 x 45mm	
4	322-6	Screw, Cap 5/16x1 ¼ (Warner)	1			(23 hp & 25 hp Koh)	2
5	1-633630	Grommet (all clutches)	2		32144-57	Screw, 5/16-18x1.75	
6	1-603610	Wshr, spring disc (all clutches).	2			(23 hp Kaw & 26 hp Koh)	2
7	1-633615-03	Guard, rear engine	1	36	1-323235	Washer, disc spring	
8	1-633543-03	Strap, clutch (all clutches)	1			(23 hp & 25 hp Koh only).....	2
9	103-0662	Clutch w/tie (23HP)	1	37	1-323236	Spacer	2
	103-0665	Clutch w/tie (25&26HP).....	1	38	1-633545	Spacer, Grommet (all clutches) .	2
10	1-633453	Spacer (23 HP)	1	39	1-633988	Spacer, clutch anchor (Warner).	1
	1-633179	Spacer (25 & 26 HP)	1	40	3296-29	Nut, nyloc 5/16-18 (Warner)	1
11	1-634308	Shield, lift – subassy (Koh)	1		3296-29	Nut, nyloc 5/16-18 (Ogura)	2
	103-1301	Shield, lift – subassy (Kaw)....	1	41	3256-63	Washer, 3/16 std.	6
12	103-1308	Shield, engine	1	42∇	1-543232	Nipple, pipe 3/8 NPT (Koh)	1
13	1-633300-03	Shield, lift (Koh)	1	43∇	1-303428	Elbow, 3/8 NPT (Koh)	1
	103-1304-03	Shield, lift (Kaw).....	1	44	322-14	Screw, 5/16-18 x 3.0 (Ogura) ..	1
14	1-634796	Shield (LH) - subassy (Koh) ...	1	45	1-633082	Spacer, clutch anchor (Ogura)...	1
	103-0241	Shield (LH) - subassy (Kaw) ..	1	46	322-7	Screw, 5/16-18 ½ (Ogura)	1
15	1-633301	Shield, heat (Koh).....	2	47	1-643179	Spacer, clutch (Ogura)	1
	103-0243	Shield, heat (Kaw)	2	48	1-641212	Clutch w/tie (Ogura).....	1
16	1-633795-03	Baffle, engine (LH)	1	49	1-643180	Keeper, clutch (Ogura)	1
17	1-643313-03	Shield, muffler	1	50	1-807261	Key, ¼ x ¼ x 2.0 (Ogura)	1
18	1-644316	Shield (RH) - subassy (Koh)....	1	51*	103-1594	Muffler,kit 26hp EFI Kohler ...	1
	103-0242	Shield (RH) - subassy (Kaw)...	1		103-1595	Muffler,kit 23hp Kaw	1
19	1-523285	Clip, shield (Koh)	2	52	9266934	Screw, 5/16-18x.5	
	1-523285	Clip, shield (Kaw).....	4			(23 hp Kaw & 26 hp Koh)	2
20	1-633794-03	Baffle, engine (RH).....	1	53	324-2	Screw, 7/16-14x.75 g5	
21	322-19	Screw, 5/16-18x4 (Warner)	1			(23 hp Kaw & 26 hp Koh)	2
22	321-4	Screw, 1/4-20 x ¾	10	54	3253-6	Washer, Lock 7/16	
23	1-613235	Washer (Warner)	4			(23 hp Kaw & 26 hp Koh)	2
	1-613235	Washer (25 hp Ogura)	5	55	33014-00	Nut, Hex M8 1.25	
24	323-6	Screw, 3/8-16 x 1	8			(23 hp Kaw & 26 hp Koh)	4
	323-6	Screw, 3/8-16 x 1 (26hp Koh)...	9	56	1-805005	Washer, Lock 5/16hvy	
25∩	3212-10	Screw, 7/16-20x2 ½(all clutches)1				(23 hp Kaw & 26 hp Koh)	4
26	1-803035	Rivet, 3/16 x ¼ (Koh)	11	579	103-0152	Keeper, Clutch	1
	1-803035	Rivet, 3/16 x ¼ (Kaw)	13	58	1-653291	Gasket (Koh)	2
27	3296-42	Nut, nyloc 1/4-20	6		1-653313	Gasket (Kaw)	2
28	1-643264-03	Bracket, guard top	2	59	103-1513	Arrester, Spark (1.25)	1
29	3256-2	Washer, 1/4 std	4			(26 hp Koh EFI & 23 hp Kaw)	
30	3256-3	Washer, 5/16 std (all clutches). ...	1	60	103-1514	Clamp,Muffler (1.38)	1
31	32128-20	Nut,whzck 5/16-18 (Warner)...	1			(26 hp Koh EFI & 23 hp Kaw)	
32	3290-357	Nut, whzck 3/8-16	8				
	3290-357	Nut, whzck 3/8-16 (26hp Koh)...	9				

∇ Use a Teflon Pipe Sealant or equivalent on threads.

∩ Use Pro-Lock, Nut Type (P/N 840022, .5ml tube) on clutch bolt.

* The muffler for 23 & 25 HP Kohler units comes with the engine.

9 For 23 HP Kawasaki air-cooled units only

Exmark black touch up spray paint - gloss black

Kohler Replacement Parts List

(Refer to Engine Owner's Manual)

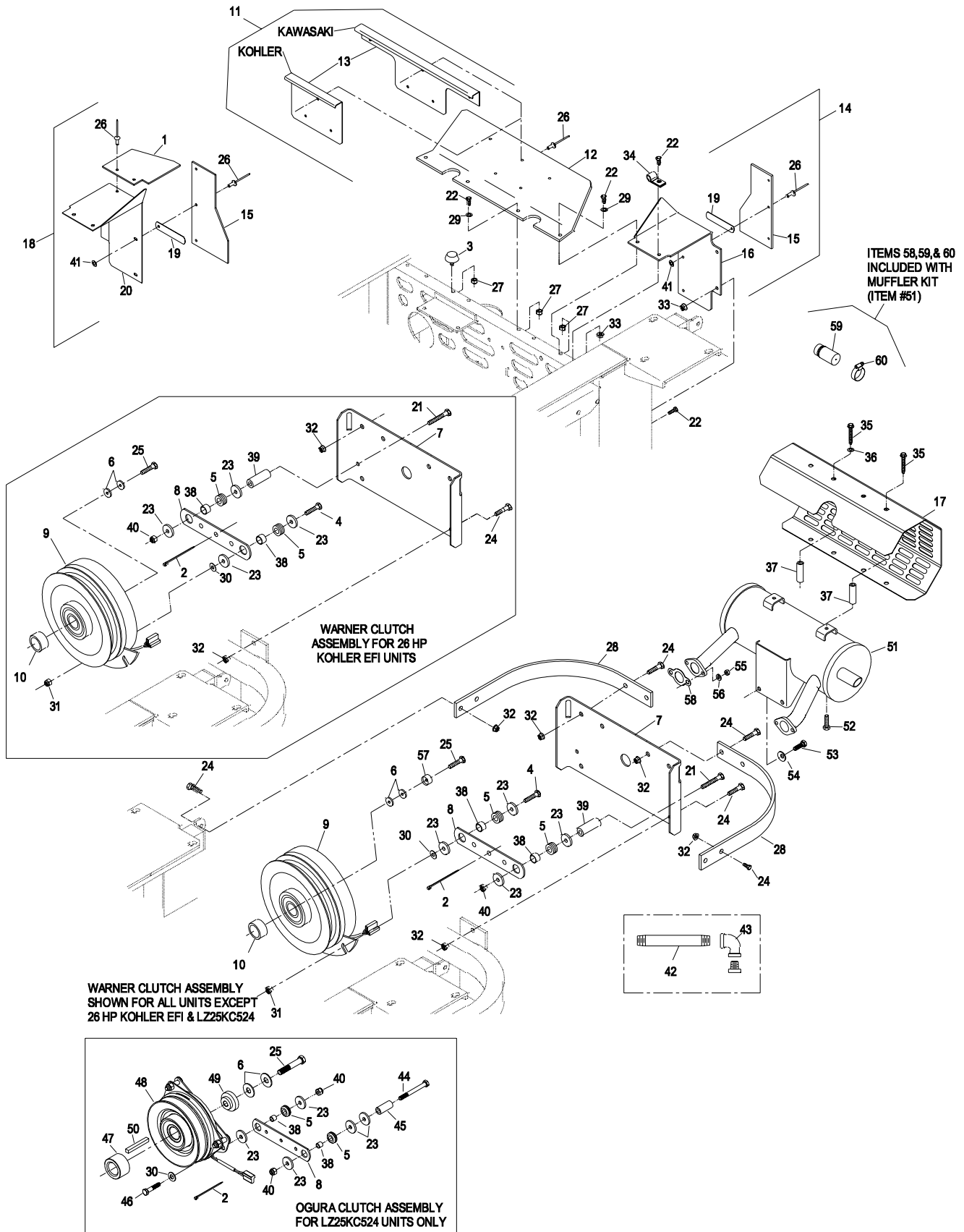
Description	Kohler Part No.
Engine Oil Filter	5205002
Air Precleaner	(23hp Engine) 2408302
	(For 25hp Engine) 2408305
Air Filter	(For 23hp Engine) 4708303
	(For 25hp Engine) 2408303
	(For 26hp EFI Engine) 2508301
Safety Filter	(For 26hp EFI Engine) 2508304

Kawasaki Replacement Parts List

(Refer to Engine Owner's Manual)

Description	Kawasaki Part No.
Engine Oil Filter	49065-2078
Air Filter	11029-7002

AIR-COOLED ENGINE DECK GROUP

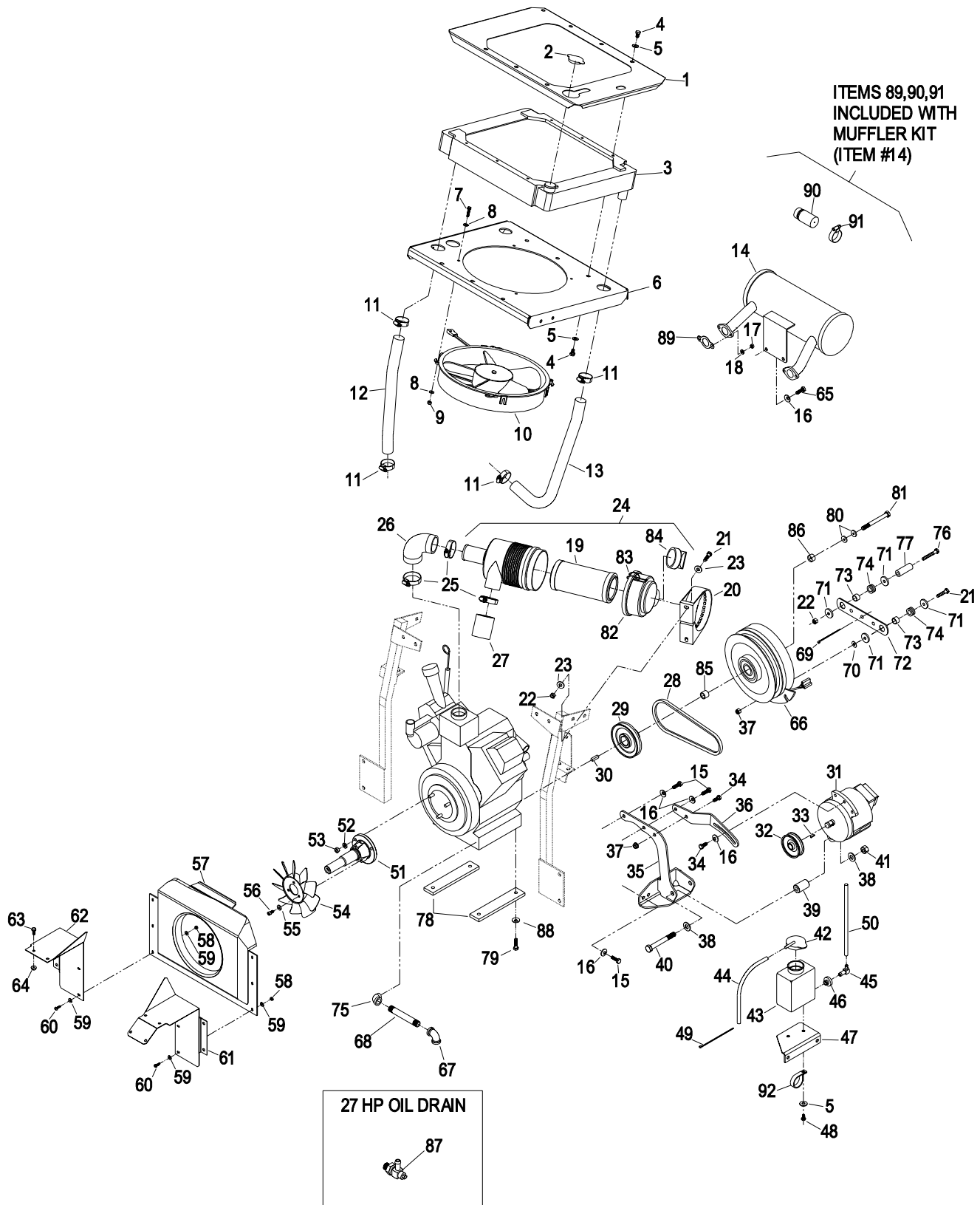


KAWASAKI LIQUID-COOLED ENGINE DECK GROUP

Ref No.	Part No.	Description	Qty. Req'd.	Ref. No.	Part No.	Description	Qty. Req'd.
1	1-633902-03	Plate, Radiator Trim Face.	1	46	1-513645	Bushing, Fuel Valve.....	1
2	1-643161	Cap, Radiator.....	1	47	1-643024-03	Bracket, Bottle.....	1
3	1-633829	Radiator, Horiz. Mount(23 hp)	1	48	321-2	Screw, Cap Hex 1/4-20x1/2	2
	103-1046	Radiator, horiz. Mount(27 hp)	1	49	1-303287	Plastic Tie 5.5x.044x.1	3
4	322-1	5/16-18x1/2 HHC Screw...	12	50	1-643129	Hose, .31 ID x 27.00"	1
5	3256-23	Washer, Flat SAE 5/16.....	14	51	1-633851	Extension, Crankshaft.....	1
6	1-633888-03	Plate, Radiator/Fan Mnt....	1	52	1-805005	Washer, Lock 5/16.....	3
7	1-803067	Scrw,12-24x1.0HSHWMach4	4	53	33014-00	Nut, Hex M8.....	3
8	3256-16	Washer, Flat Std #12.....	8	54	1-633869	Fan, Pump Cooling.....	1
9	1-804254	Nut, Nyloc HH #12-24.....	4	55	3256-22	Washer, Flat SAE 1/4.....	3
10	1-633831	Fan Assy, 12" Hi Profile....	1	56	1-809095	Screw,HexScket 1/4-20x1/2	3
11	1-633989	Clamp,Hose-worm .75-1.50	4	57	103-0098	Shroud, Hydraulic Fan(.....	1
12	1-633894	Hose, Radiator Inlet (23 hp)	1	58	3296-2	Nut, Nyloc #10-24.....	6
	103-0074	Hose, Radiator Inlet (27 hp)	1	59	3256-14	Washer, Flat Std #10.....	12
13	1-633895	Hose, Rad. Outlet (23 hp)...	1	60	3290-500	Screw, Mach #10-24x5/8...	6
	103-0075	Hose, Rad. Outlet (27 hp)...	1	61	103-0895-03	Shield, LH Liquid.....	1
14	103-1553	Muffler,kit (23 hp).....	1	62	1-633794-03	Shield, RH Eng Shield.....	1
	103-1557	Muffler,kit (27 hp).....	1	63	321-4	Screw, Cap HH 1/4-20x5/8	6
15♦	33114-025	Screw, M8-1.25x25mm.....	4	64	32128-33	Nut, Whizlock 1/4-20.....	6
16	1-303334	Wshr, Disc Sprg 5/16(23 hp)	7	65	3314-016	Screw, M8-1.25x16mm(23hp)	2
	1-303334	Wshr, Disc Sprg 5/16(27 hp)	2		33115-020	Screw, M10-1.5x20mm(27hp)	2
17	33013-00	Nut, Hex M6.....	4	66	103-1364	Clutch w/tie.....	1
18	1-805004	Washer, Lock 1/4 Hvy.....	4	67▽♦	1-303428	Elbow, 90°.....	1
19	93-2195	Element, filter Primary.....	1	68▽♦	1-643167	Nipple, 3/8 npt x 4.5.....	1
20	95-5806	Bracket, air cleaner mount	1	69	1-303335	Tie, plastic.....	1
21	322-6	Screw, Cap 5/16-18x1-1/4	3	70	3256-3	Washer, 5/16 std.....	1
22	3296-29	Nut, Nyloc 5/16-18.....	3	71	1-613235	Washer.....	4
23	3256-3	Washer, Flat Std 5/16.....	4	72	1-633543-03	Strap, Clutch/Brake.....	1
24	95-5805	Cleaner, remote air w/filter	1	73	1-633545	Spacer, Grommet.....	2
25	1-643009	Clamp, Hose 1.31-2.25.....	3	74	1-633630	Grommet.....	2
26♦	1-643083	Hose, Air cleaner.....	1	75▽♦	1-403124	Elbow, Street.....	1
27	1-643084	Hose, Air inlet.....	1	76	322-38	Screw, Cap HH 5/16-18x4.5	1
28♦	1-633853	Belt, Alternator.....	1	77	1-643008	Spacer, Clutch Anchor.....	1
29♦	1-633841	Sheave w/hub.....	1	78♦	1-643007-03	Spacer, Engine.....	2
30	1-807259	Key, Mach 1/4x1/4x1.....	1	79	32114-030	Screw, M8-1.25x30mm(23hp)	4
31♦	1-633881	Alternator.....	1		32115-025	Screw, M10-1.5x25mm(27hp)	4
♦	1-643158	Regulator, Alternator.....	1	80	1-603610	Washer, disc spring 7/16...	2
♦	1-643159	Brushes, Alternator.....	1	81	48-7570	Screw, Cap M10x1.5x65mm	1
♦	1-643160	Bearing, Alternator.....	1	82	94-3652	Cover w/latch.....	1
32♦	1-633882	Sheave, Alternator.....	1	83	1-643283	Latch, Air cleaner.....	2
33♦	1-807004	Key.....	1	84	87-9400	Vacuator Valve.....	1
34♦	322-3	Screw, CapHH5/16-18x3/4	1	85	1-633179	Spacer, Clutch (23 hp).....	1
35♦	1-632835	Bracket, Alternator.....	1		103-0114	Spacer, Clutch (27 hp).....	1
36♦	1-633838	Arm, Alternator tension....	1	86	103-0152	Keeper, Clutch (27 hp).....	1
37	32128-20	Nut, Whzlck 5/16-18 (23 hp)	2	87▽	103-0161	Valve, Oil Drain (27 hp only)..	1
	32128-20	Nut, Whzlck 5/16-18 (27 hp)	1	88	1-303334	Wshr, Disc Sprg 5/16(23 hp)	4
38♦	3256-26	Washer, flat SAE 1/2.....	2		98-5975	Wshr, Disc Sprg 3/8(27 hp) .	4
39♦	1-633839	Spacer.....	1	89	103-1563	Gasket, Exhaust (22/23 hp) ..	2
40♦	325-17	Screw, Cap HH 1/2-13x4..	1		103-1564	Gasket, Exhaust (27 hp).....	2
41♦	3296-23	Nut, Nyloc 1/2-13.....	1	90	103-1513	Arrester, Spark (22/23 hp) (1.25)	1
42	1-643164	Cap, Overflow Tank.....	1		103-1511	Arrester, Spark (27 hp) (1.50)	1
43	1-643163	Tank, Overflow (2.0 pts)....	1	91	103-1514	Clamp, Muffler (22/23 hp) (1.38).	1
44	1-643131	Hose, .25 ID x 22.00".....	1		103-1512	Clamp, Muffler (27 hp) (1.63)..	1
45	1-643259	Elbow, 90deg.....	1	92	103-0113	Clip,loom.....	1

Replacement Engine Oil Filter - **Kawasaki** Part No. 49065-2078 ▽ Use a Teflon Pipe Sealant or equivalent on threads.
 Exmark black touch up spray paint – gloss black ♦ For 23 hp Kawasaki Liquid-Cooled units only

KAWASAKI LIQUID-COOLED ENGINE DECK GROUP



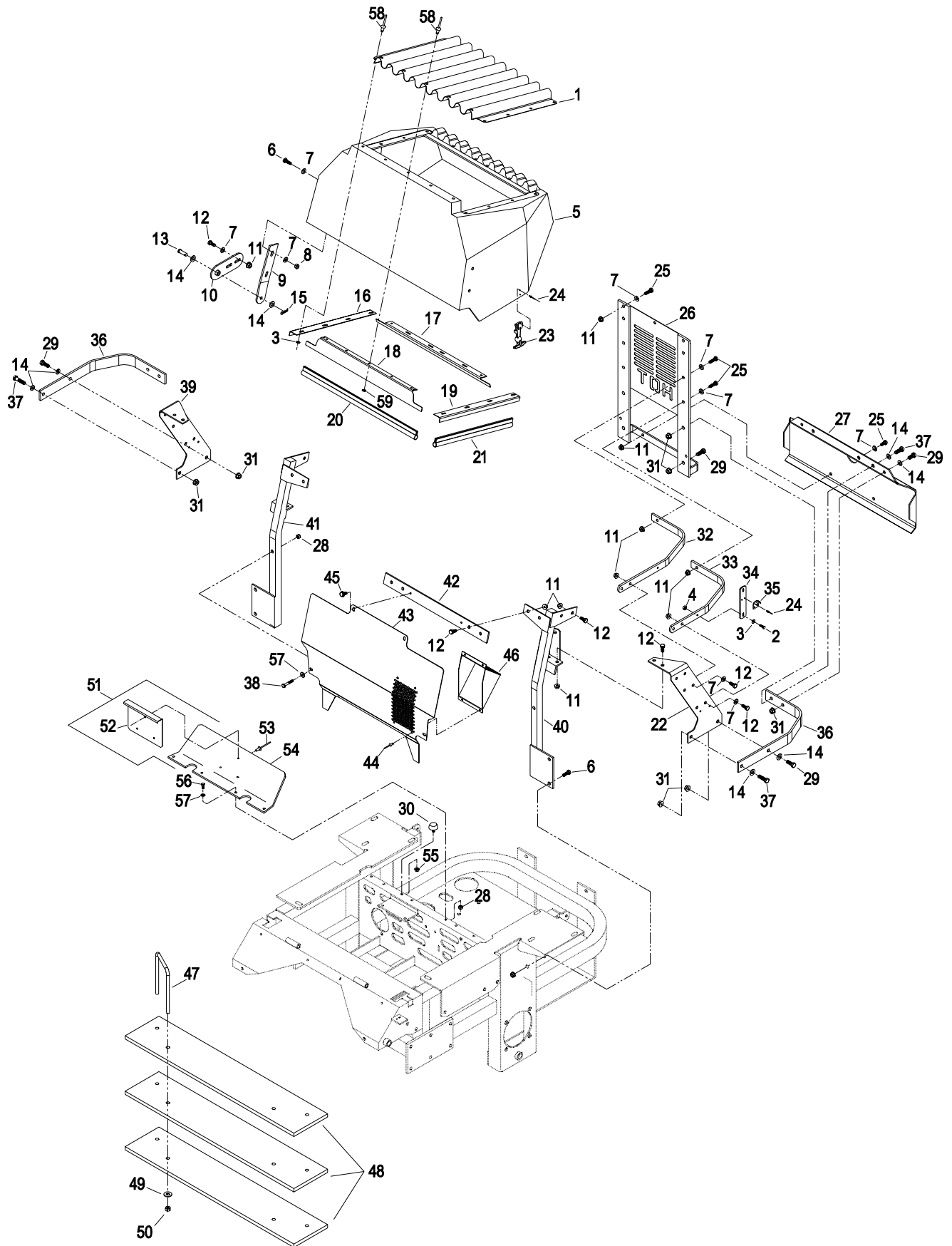
KAWASAKI LIQUID-COOLED ENGINE DECK GROUP (cont.)

Ref. No.	Part No.	Description	Qty. Req'd.	Ref. No.	Part No.	Description	Qty. Req'd.
1	1-633864-03	Screen, Radiator Intake	1	33	1-633898-03	Rib, Bottom	2
2	1-803069	Screw, 10-24X.75 BHSCap	4	34	1-633877-03	Bar, Latch Hook.....	2
3	3256-14	Washer, Flat Std #10	16	35	1-643189	Keeper, Rubber Latch	2
4	3296-2	Nut, Nyloc #10-24	4	36	1-633896-03	Bar, Rad. Mnt. Frame.....	2
5	1-633857	Hood, Engine Gray.....	1	37	323-7	Screw,Cap HH 3/8-16x1-1/44	
★	103-1044	Hood, w/decals	1	38	323-9	Screw,Cap HH 1/4-20x1 1/22	
6	322-4	Screw,Cap HH 5/16-18x7/8	8	39	103-0897-03	Plate, Side Rad. Mnt. RH .	1
7	3256-23	Washer, Flat SAE 5/16	21	40	1-632984-03	Brace, Radiator-LH (23 hp).	1
8	3296-29	Nut, Nyloc 5/16-18	4		103-0107-03	Brace, Radiator-LH (27 hp).	1
9	1-633885-03	Plate, Hood Hinge	2	41	1-632985-03	Brace, Radiator-RH	1
10	1-632986-03	Hinge, Shackle wld	2	42	1-633878-03	Crossbar	1
11	32128-20	Nut, Whizlock 5/16-18	37	43	1-643087-03	Deflector, Air.....	1
12	322-3	Screw,Cap 5/16-18x3/4 ...	24	44	3269-3	Pop Rivet- Stl 3/16x.250...	4
13	1-808285	Pin, Clevis 3/8x1 1/8	2	45	49-2040	Screw, Tapping1/4-20x.75	2
14	3256-24	Washer, Flat SAE 3/8	12	46	1-643096-03	Plenum, Air intake (23 hp) ..	1
15	1-806003	Pin, Hair Cotter .080 #2	2		103-0110-03	Plenum, Air intake (27 hp) ..	1
16	1-643106-03	Angle, Rad. Trim Side RH.	1	47	103-0221	U-bolt (72" deck, 27 hp)	2
17	1-643108-03	Angle, Rad. Trim Bottom ..	1		1-643147	U-bolt (all except 72"deck, 27hp)	2
18	1-643107-03	Angle, Rad. Trim Top.....	1	48	1-643150-01	Weight Bar (52" deck, 23 hp).	4
19	1-643105-03	Angle, Rad. Trim Side LH .	1		103-0217-01	Weight Bar (60" deck, 23 hp).	2
20	1-643187	Seal, Trim - 20" Length.	2		103-0217-01	Weight Bar (60" deck, 27 hp).	3
21	1-643186	Seal, Trim - 14" Length	2		103-0885-01	Weight Bar (72" deck, 27 hp).	1
22	103-0896-03	Plate, Side Rad. Mnt. LH ..	1	49	3256-4	Washer, flat Std 3/8.....	4
23	1-643188	Latch, EPDM Rubber	2	50	3296-39	Nut, Nyloc 3/8-16.....	4
24	923786	Pop Rivet.	8	51	1-634308	Shield, lift - subassembly..	1
25	322-5	Screw, Cap 5/16-18x1	9	52	1-633300-03	Shield, lift	1
26	1-632873-03	Radiator Mount weld-rear .	1	53	1-803035	Rivet, Alum. 3/16x1/4	3
27	1-633886-03	Bumper, Rear.....	1	54	103-1308	Shield, engine	1
28	3296-42	Nut, Nyloc 1/4-20	6	55	32128-33	Nut, Whizlock 1/4-20	2
29	323-6	Screw, Cap Hex 3/8-16x1 .	6	56	321-4	Screw, 1/4-20x3/4.....	4
30	1-523420	Bumper, rubber	2	57	3256-2	Washer, 1/4 std	6
31	3290-357	Nut, Whizlock 3/8-16.....	10	58	1-803072	Rivet, Bulbex .19 x1.07	17
32	1-633897-03	Rib, Top	2	59	1-303435	Washer, Spring Disc .25 ..	5

Exmark black touch up spray paint – gloss black

★ Hood only comes with black logo decal, side decals need to be ordered separately.

KAWASAKI LIQUID-COOLED ENGINE DECK GROUP (cont.)



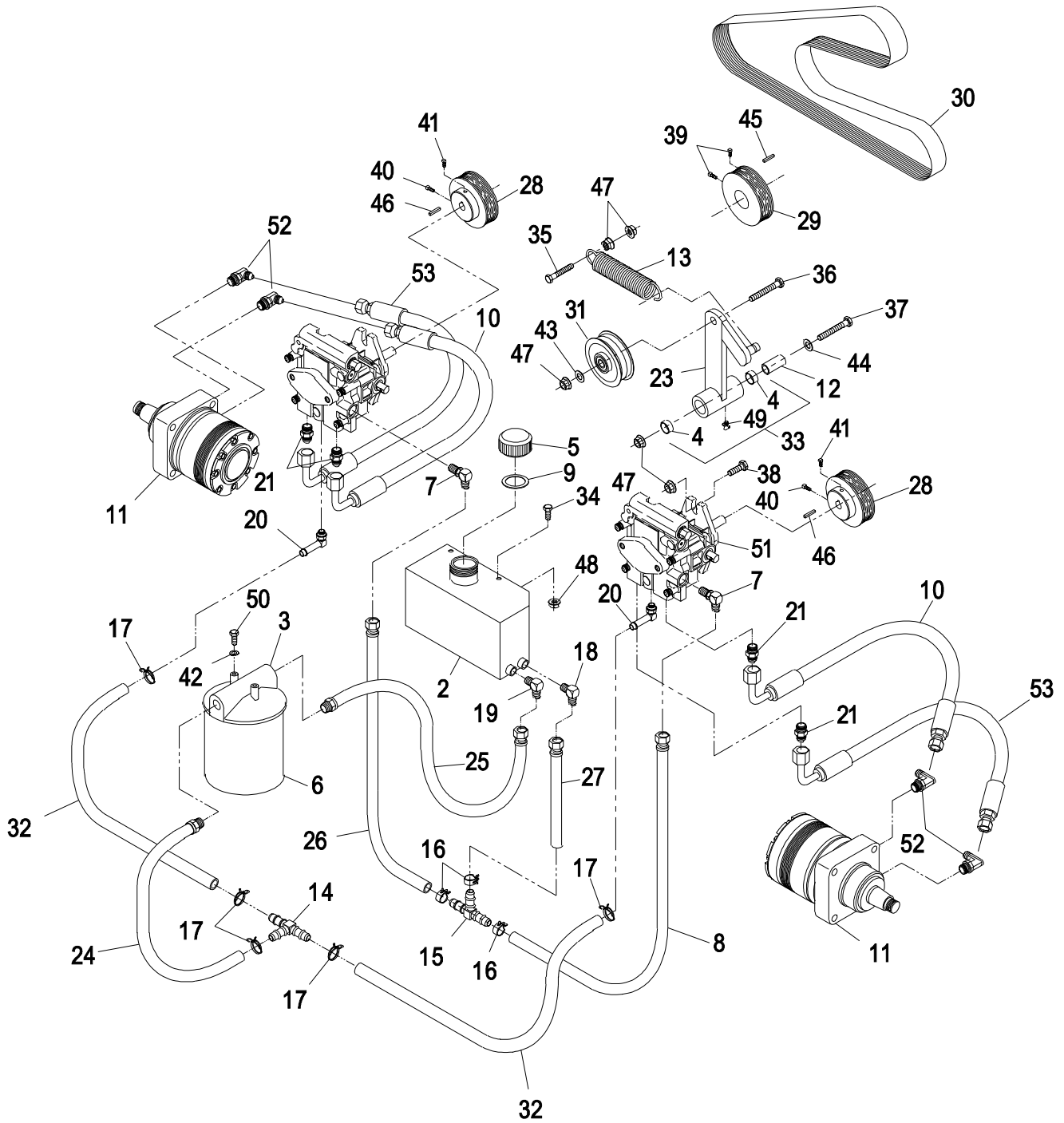
HYDRAULIC GROUP

Ref. No.	Part No.	Description	Qty. Req'd.	Ref. No.	Part No.	Description	Qty. Req'd.
1	1-403102	Hose, Lower 52" & 60"	2	26	1-632285	Hose, low pressure (11 ¼")	1
2∇	1-512166-03	Tank, hydraulic reservoir ...	1	27	1-632286	Hose, low pressure (4")	1
3∇	1-513006	Head, filter.....	1	28	1-633568	Sheave, pump	2
4	1-513034	Bearing, pivot	2	29	1-633567	Sheave, engine.....	1
5	1-513167	Cap, hydraulic tank	1	30	1-633569	Belt, pump drive.....	1
6	1-513211	Element, hydraulic oil filter .	1	31	1-633167	Pulley, idler w/bushing	1
◆	1-523541	Element,hyd oil filter(winter)	1	32	1-633335	Hose, low pressure (14 ½")	2
7	1-513840	Elbow, 90° w/O-ring	2	33	1-634277	Arm, w/bearing	1
	1-603921	O-Ring.....	1	34	321-4	Screw, 1/4-20 x 3/4.....	2
8	1-522217	Hose, low pressure (7").....	1	35	323-8	Screw, 3/8-16 x 1 1/2.....	1
9	1-523103	Gasket, tank cap	1	36	323-9	Screw, 3/8-16 x 1 3/4.....	1
10	1-633774	Hose, upper (52"&60")	2	37	1-800805	Screw, 3/8-16 x 3 1/2.....	1
	1-633776	Hose, upper (72").....	2	38	323-7	Screw, 3/8-16 x 1.....	4
11	1-523328	Motor, wheel drive.....	2	39	1-803022	Setscrew, 5/16-18 x 5/8.....	2
	1-000099	Kit, seal	1	40	30-1710	Setscrew, 5/16-18 x 1.....	2
	1-000139	Kit, bearing.....	1	41	1-803050	Setscrew, 5/16-18 x 3/4.....	2
12	1-603384	Bushing, idler pivot.....	1	42	1-805004	Lockwasher, 1/4	2
13	1-603413	Spring, pump drive idler	1	43	3256-3	Washer, 5/16 std	1
14	1-603721	Fitting, tee (3/8" i.d. hose) ..	1	44	3256-4	Washer, 3/8 std	1
15	1-603722	Fitting, tee (1/4" i.d. hose) ..	1	45	13-2840	Key, 1/4 x 1/4 x 1 1/4.....	1
16	1-603826	Clamp, hose (1/2")	3	46	1-807272	Key, 5mm x 5mm x 25mm .	2
17	1-603827	Clamp, hose (5/8")	5	47	3290-357	Nut, 3/8-16 whizlock	8
18	1-603987	Elbow,90° 7/16-JICx1/4-NPT	1	48	32128-33	Nut, whizlock 1/4-20	2
19	1-603988	Elbow,90° 9/16-JICx1/4-NPT	1	49	302-40	Zerk, 90° 1/4-28.....	1
20	1-603989	Elbow, 90° (w/O-ring)	2	50	321-3	Screw, 1/4-20 x 5/8	2
	1-603923	O-Ring (SAE #4)	1	51	1-603841	Pump, hydro	2
21	1-603990	Connector, strght (w/o-rings)	4		2513018	Kit, overhaul seal	1
	1-603920	O-Ring (SAE #8)	1	52	1-633786	Elbow,90°(w/o-rings)(52&60)	4
	1-603992	O-Ring (37° flare #8).....	1		1-633605	Elbow,90°(w/o-rings)(72)	1
22	1-613034	Hose, high pressure 60".....	2		1-603919	O-Ring (SAE #10).....	1
	1-403102	Hose, high pressure 52".....	2		1-603992	O-Ring (37° flare #8)	1
23	1-632201-03	Arm, pump idler	1	53	1-633775	Hose, lower (52"&60")	2
24	1-632281	Hose, low pressure (12")....	1		1-633777	Hose, lower (72")	2
25	1-632282	Hose,low pressure(20 1/2")	1				

Use Pro-Lock, Nut Type (P/N 1-840022, 5 ml tube) on setscrews.

- ∇ Use Teflon pipe sealant on pipe threads in reservoir & filter head.
Exmark black touch up spray paint - gloss black
- ◆ Use only for operation below 32°F (0°C)

HYDRAULIC GROUP



DECAL GROUP

Ref. No.	Part No.	Description	Qty. Req'd.	Ref. No.	Part No.	Description	Qty. Req'd.
1	103-0166	Decal, Console 1	1	22	1-633827	Decal, Park Brake Warning..	1
2	103-0210	Decal, Console 2	1	23	1-643339	Decal, Pump Belt Rtg	1
3	1-633706	Decal, Deck Height	1	24	103-1143	Decal, Hood 23 L.C. RH.....	1
4	1-633702	Decal, Check Service	1	25	103-1141	Decal, Hood 27 L.C. RH.....	1
5	1-633462	Decal, Important	1	26	103-1144	Decal, Hood 23 L.C. LH	1
6	1-403005	Decal, Danger.....	2	27	103-1142	Decal, Hood 27 L.C. LH	1
7	1-323540	Decal, Roller Mounting	1	28•	1-643288	Decal, Fuse/Relay	1
8φ	1-643103	Decal, Exmark logo	1	29	103-1077	Decal, Bolt Torque.....	1
∇	1-643386	Decal, Exmark logo	1	30φ	1-643253	Decal, Radiator Fan	1
9	1-303293	Decal, 2 Minute Cool	2	31	1-633313	Decal, Warning.....	1
10	1-643401	Decal, Mercury Switch.....	1	32	1-523552	Decal, Hyd Tank/Hot Surface	1
11	1-643222	Decal, Belt Routing.....	1	33•	103-0261	Decal, Fuel Valve	1
12	103-1146	Decal, Ultracut 60	1	34	1-513748	Decal, Guard	1
13♦	103-0262	Decal, Fuel Valve.....	1	35	103-0368	Decal, Rotating Devices	1
14•	1-643397	Decal, EPS	1	36φ	1-643104	Decal, L.C. Lazer Swash	1
15	1-513742	Decal, No Step	2	37	103-0245	Decal, Top Console.....	1
16	103-1145	Decal, Ultracut 52	1	38φ	103-0223	Decal, Havoline Coolant (60")	1
17	1-633922	Decal, Anti-Scalp	1	39φ	65-2690	Decal, Hot Surface	2
18**	1-633350	Decal, Lazer Swash.....	1	40	1-633345	Decal, Deck Height.....	1
19	103-1147	Decal, Ultracut 72	1		103-0371	Decal Kit-Air-Cooled (including EFI)	
20	103-1027	Decal, Relay	1		103-0370	Decal Kit-Kaw Liquid-Cooled	
21	1-303508	Decal, Discharge Warning ...	1				

- ** Decal for Air-Cooled units only.
- ♦ Decal for all units except 26 HP EFI Kohler.
- Decals for 26 HP EFI Kohler units only.
- ∇ Decal for all units except Kawasaki Liquid-Cooled.
- φ Decal for Kawasaki Liquid-Cooled units only.
Decal for 27 HP Kawasaki Liquid-Cooled units only.

DECAL GROUP

1 RELEASE
PARK BRAKE
ENGAGE

2 **DANGER**
Engines produce Carbon Monoxide which is an odorless Deadly Poison
Do NOT operate in an enclosed area
Do Not carry passengers
Avoid blades unless blades and engine are stopped
Keep all people and pets out of area when mowing
Thrown Objects or Blade Contact can cause Serious Injury or Death
Use extreme caution when operating on slopes
Do NOT operate on slopes greater than 15°
Avoid sudden starts when traveling uphill
Loss of traction may occur going downhill
Exceeds turns slowly
Drive slower on slopes
Do NOT mow wet slopes

3 4.5
4.0
3.5
3.0
2.5
2.0

4 **CAUTION**
Read manual before operating
Before starting engine
Park brake must be engaged
Lowers must be out to its normal lock position
Operator must be in seat
PTO switch must be off
Before leaving seat
Park brake must be engaged
PTO switch must be off
Lowers must be out to normal lock position
KEEP ALL GUARDS AND SHIELDS IN PLACE
Do NOT park on slope unless park brake is engaged
Hearing protection recommended

5 **WARNING**
Disengage PTO, engage park brake, shut off engine and remove key before making adjustments, servicing or cleaning

6 **DANGER**
KEEP HANDS AND FEET AWAY

7 **DANGER**
Throttle

8 **eXmark**

9 **CAUTION**
ALLOW TIME TO COOL AFTER MOWING BEFORE REWINDING

10 **IMPORTANT!**
BEFORE STARTING ENGINE
CLEAN GRASS FROM PUMP DRIVE BELT COMPARTMENT. CHECK MORE OFTEN IN DRY CONDITIONS.

11 BELT ROUTING

12 **UltraCut 60**

13 **EPS**

14 **NO STEP**

15 **UltraCut 52**

16 **UltraCut 72**

17 **UltraCut 60**

18 **eXmark LAZER Z**

19 **UltraCut 72**

20 KILL RELAY START RELAY FAN RELAY

21 **WARNING**
DO NOT OPERATE WITHOUT DISCHARGE DEFLECTOR OR ENTIRE GRASS COLLECTION SYSTEM IN PLACE. DO NOT REMOVE GRASS CATCHER UNTIL BLADES HAVE STOPPED.

22 **WARNING**
PARKING BRAKE MUST NOT HOLD WITH AIDED WEIGHT OF ACCUMULATOR. CHAIN MACHINES TO HOLD. CHAIN MUST BE FULLY ENGAGED. CHAIN MUST BE FULLY ENGAGED. DO NOT PARK ON SLOPE. ALWAYS BRACE THE TIRE ON THE LOW WHEEL AND CHECKED ON SLOPES.

23 PUMP BELT ROUTING

24 **23 HP**
LIQUID-COOLED

25 **27 HP**
LIQUID-COOLED

26 **23 HP**
LIQUID-COOLED

27 **27 HP**
LIQUID-COOLED

28 **CAUTION**
Loose or Damaged Blade Bolt may allow blade to come out from under blade at HIGH SPEED.
Replace Blade Bolt after striking a foreign object.
Torque Blade Bolt to 115-120 FT-LBS (15-16 Nm) SEE OPERATORS MANUAL.

29 **CAUTION**
DO NOT OPERATE WITHOUT GUARD IN PLACE.

30 **CAUTION**
ROTATING MECHANICAL DEVICES CAN CAUSE SERIOUS INJURY.
DO NOT operate without guards in place.
Stop engine before opening cover.

31 **WARNING**
DISengage BLADE CLUTCH, SHUT OFF ENGINE AND REMOVE KEY BEFORE MAKING ADJUSTMENTS, REPAIRS OR CLEANING DECK.

32 **CAUTION**
HYPERMAG-15 USE ONLY
MOBIL 1 SAE 15W-40
SYNTHETIC ENGINE OIL
FILL TO TOP OF GAUGE
HOT

33 **CAUTION**
HOT

34 **CAUTION**
DO NOT OPERATE WITHOUT GUARD IN PLACE.

35 **WARNING**
ROTATING MECHANICAL DEVICES CAN CAUSE SERIOUS INJURY.
DO NOT operate without guards in place.
Stop engine before opening cover.

36 **eXmark LAZER Z LIQUID-COOLED**

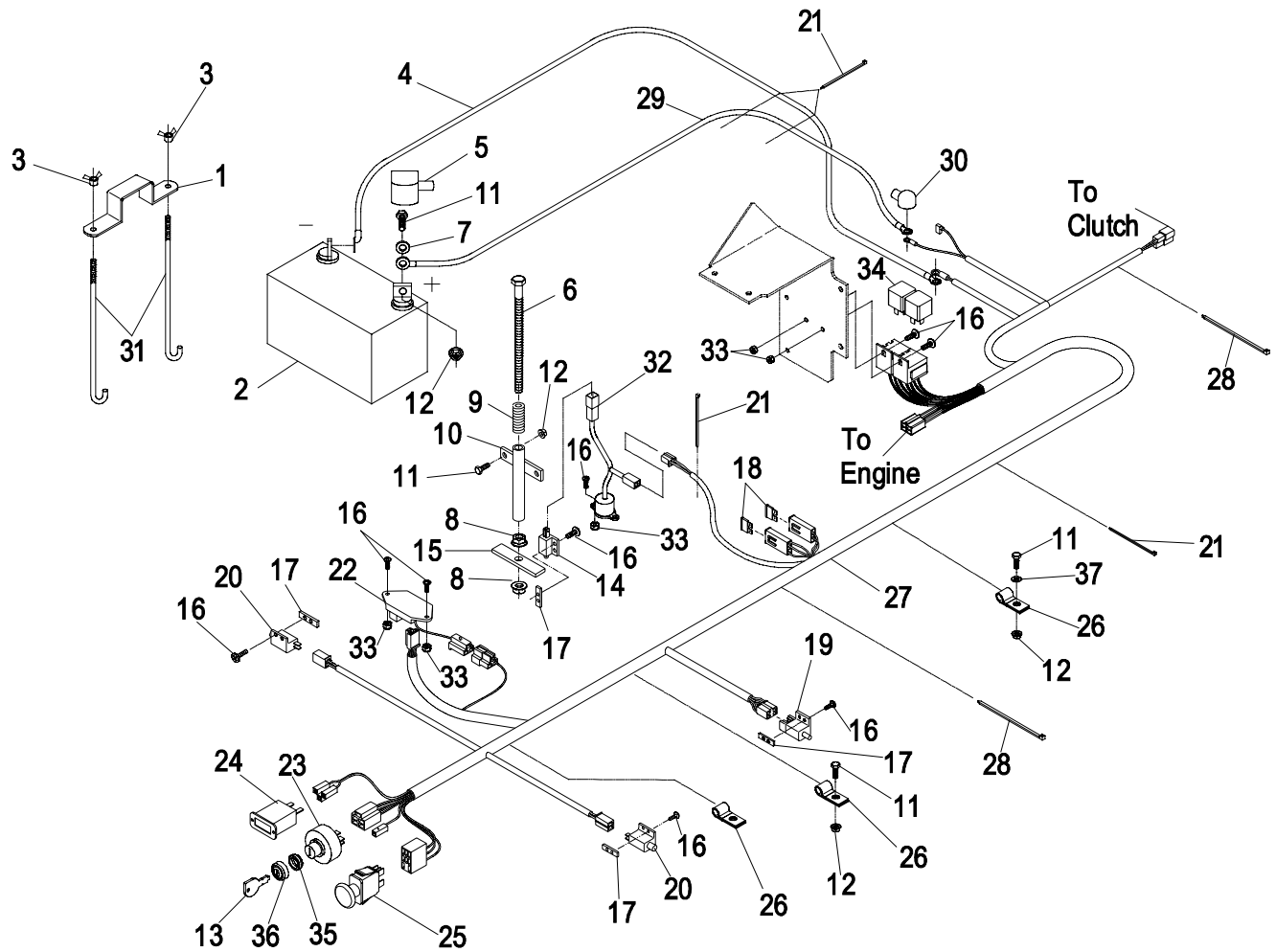
37 **WARNING**
Battery contains sulfuric acid. Avoid contact and always shield eyes, face, skin and clothing from battery. Cigarettes, if smokes or sparks could cause battery to explode. Do not charge or use booster cables or adjust post connections without proper technique. In event of an accident flush with water and call a physician immediately. Keep out of reach of children.

38 **WARNING**
Use 5/8 wrench
Do turn counter-clockwise to release to set surrington

39 **WARNING**
HOT

40 5.0
4.5
4.0
3.5
3.0
2.5
2.0
1.5

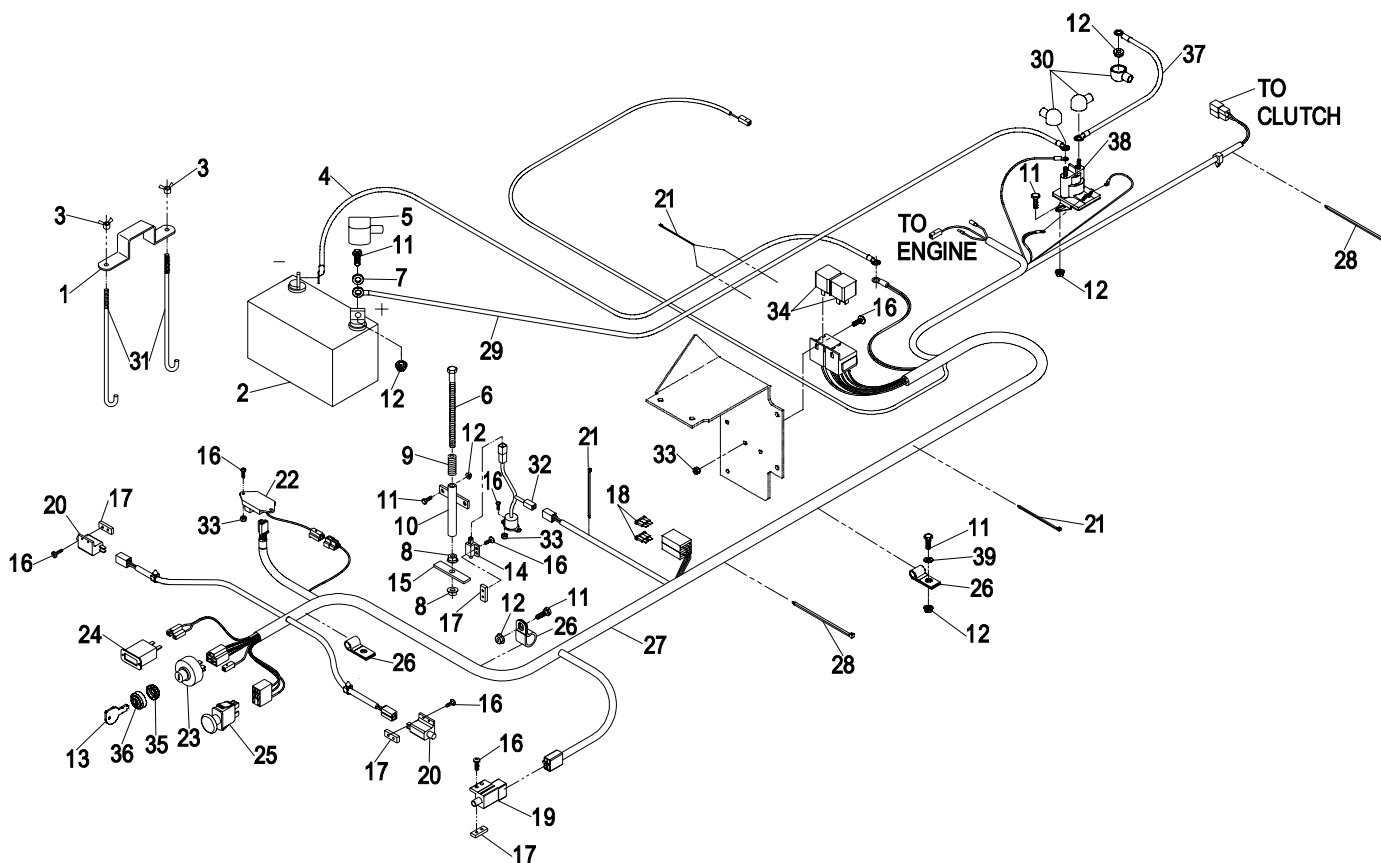
KOHLER 23 & 25 HP AIR-COOLED ELECTRICAL GROUP



Ref. No.	Part No.	Description	Qty. Req'd.	Ref. No.	Part No.	Description	Qty. Req'd.
1	1-633652	Hold down-battery	1	19	1-633111	Switch-brake N.O/N.C	1
2	103-0293	Battery-12V	1	20	1-513051	Switch-drive lever N.O.	2
3	1-543792	Wingnut, nyloc.....	2	21	1-303287	Plastic tie (small).....	5
4	1-633307	Cable-battery (-) 40"	1	22	100-6186	Module-seat delay.....	1
5	1-543391	Insulator-battery	1	23	103-0206	Switch-ignition w/ keys.....	1
6	1-800282	Screw, 5/16-18x7	1	24	1-513374	Meter-engine hours.....	1
7	3256-2	Washer, 1/4 flat.....	2	25	1-633673	Switch	1
8	32128-20	Nut, 5/16-18 whizlock	2	26	1-633396	Clip-Loom .69	3
9	1-523415	Spring-seat switch.....	1	27	103-0294	Harness-wiring.....	1
10	1-522424	Spring mount wldmt	1	28	1-303335	Plastic tie (large)	2
11	321-4	Screw, 1/4-20x3/4	6	29	1-523281	Cable-battery (+) 30".....	1
12	32128-33	Nut, 1/4-20 whizlock	6	30	1-543393	Insulator, solenoid (+)	1
13	1-603511	Keys, ignition	1	31	1-633651	Bolt, battery hold down	2
14	1-513152	Switch- seat N.C.	1	32	1-633782	Switch, tilt.....	1
15	1-513180	Actuator, seat switch	1	33	3296-2	Nut, #10-24 Hex Nyloc.....	6
16	3290-500	Screw, #10-24x5/8	14	34	1-643275	Relay, 12V	2
17	1-633181	Plate, tapped	4	35	103-0498	Nut, Ignition.....	1
18	1-816001	Fuse-20 amp	2	36	103-0499	Seal, Ignition	1
				37	3256-22	Washer, 1/4 SAE	1

◇ Use dielectric grease on all wiring harness connectors.

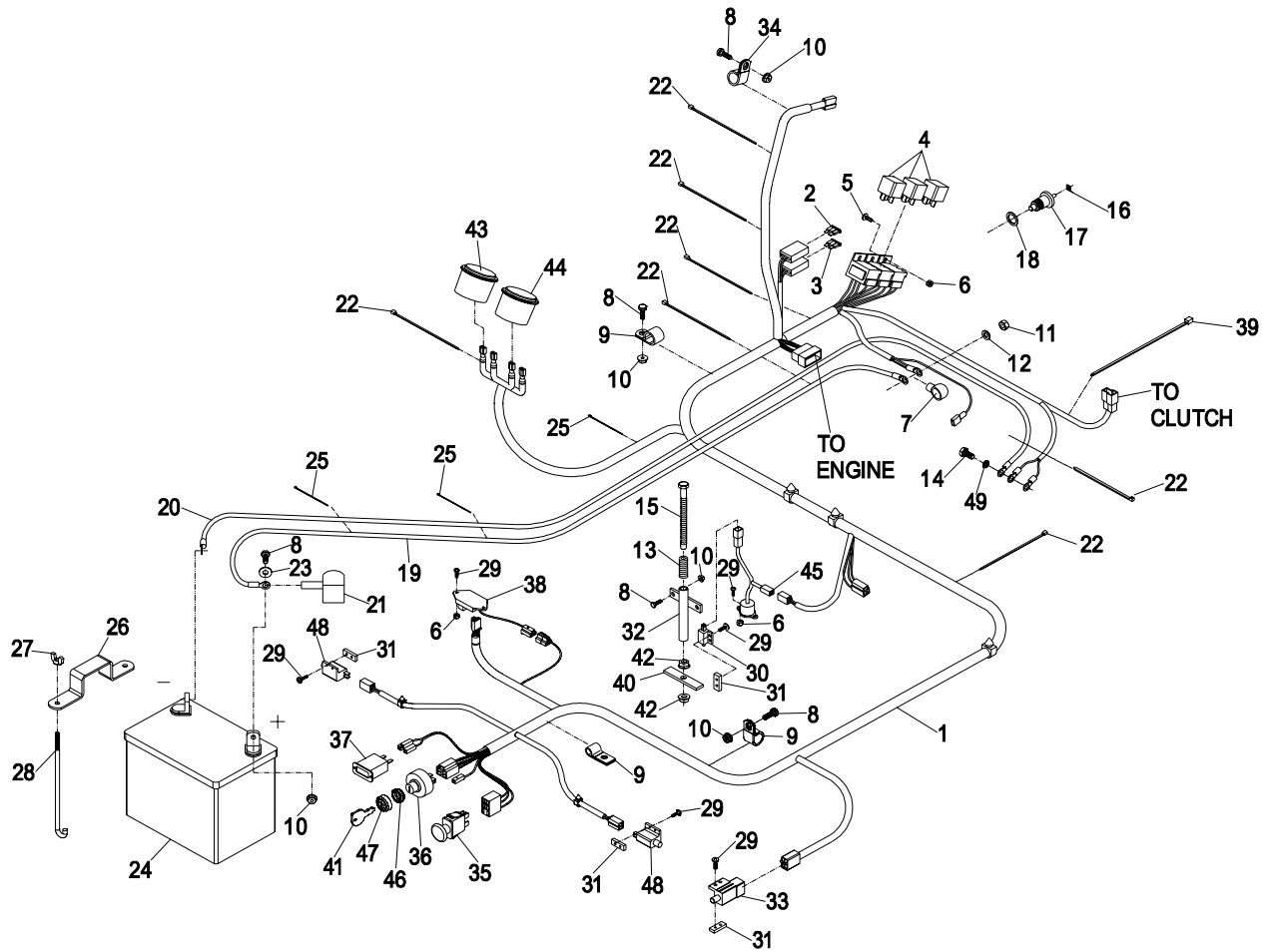
KAWASAKI 23 HP AIR-COOLED ELECTRICAL GROUP



Ref. No.	Part No.	Description	Qty. Req'd.	Ref. No.	Part No.	Description	Qty. Req'd.
1	1-633652	Hold down-battery	1	21	1-303287	Plastic tie (small).....	5
2	103-0293	Battery-12V	1	22	100-6186	Module-seat delay.....	1
3	1-543792	Wingnut, nyloc.....	2	23	103-0206	Switch-ignition w/ keys.....	1
4	1-633307	Cable-battery (-) 40".....	1	24	1-513374	Meter-engine hours.....	1
5	1-543391	Insulator-battery	1	25	1-633673	Switch	1
6	1-800282	Screw, 5/16-18x7	1	26	1-633396	Clip-Loom .69	3
7	3256-2	Washer, 1/4 flat.....	2	27◇	103-0732	Harness-wiring.....	1
8	32128-20	Nut, 5/16-18 whizlock.....	2	28	1-303335	Plastic tie (large)	2
9	1-523415	Spring-seat switch.....	1	29	1-523281	Cable-battery (+) 30".....	1
10	1-522424	Spring mount wldmt	1	30	1-543393	Insulator, solenoid (+)	3
11	321-4	Screw, 1/4-20x3/4	8	31	1-633651	Bolt, battery hold down	2
12	32128-33	Nut, 1/4-20 whizlock.....	9	32	1-633782	Switch, tilt.....	1
13	1-603511	Keys, ignition	1	33	3296-2	Nut, #10-24 Hex Nyloc.....	6
14	1-513152	Switch- seat N.C.	1	34	1-643275	Relay, 12V	2
15	1-513180	Actuator, seat switch.....	1	35	103-0498	Nut, Ignition.....	1
16	3290-500	Screw, #10-24x5/8	14	36	103-0499	Seal, Ignition	1
17	1-633181	Plate, tapped	4	37	1-633306	Wire, starter solenoid.....	1
18	1-816001	Fuse-20 amp	2	38	1-513075	Switch, 12V solenoid.....	1
19	1-633111	Switch-brake N.O./N.C.	1	39	3256-22	Washer, 1/4 SAE	1
20	1-513051	Switch-drive lever N.O.	2				

◇ Use dielectric grease on all wiring harness connectors.

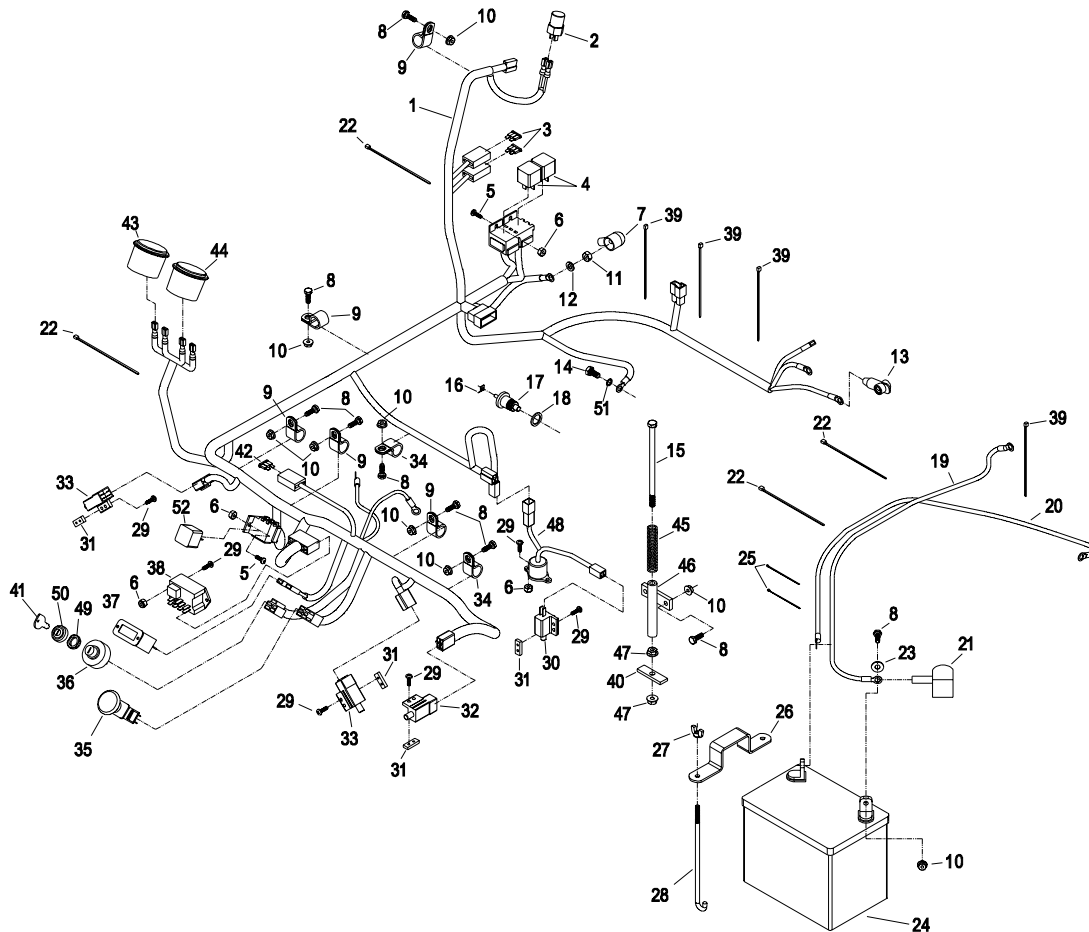
KAWASAKI 27 HP LIQUID-COOLED ELECTRICAL GROUP



Ref. No.	Part No.	Description	Qty. Req'd.	Ref. No.	Part No.	Description	Qty. Req'd.
1◇	103-0883	Harness-wiring.....	1	26	1-633652	Hold-down-battery	1
2	1-816001	Fuse-20 amp	1	27	1-543792	Wingnut, nyloc.....	2
3	1-816003	Fuse-30 amp	1	28	1-633651	Bolt, battery hold-down	2
4	1-643275	Relay, 12V	3	29	3290-500	Screw, #10-24x5/8	12
5	1-803071	Screw, machine #10-24x1/2	2	30	1-513152	Switch- seat N.C.....	1
6	3296-2	Nut, nyloc #10-24	6	31	1-633181	Plate- tapped	4
7	1-543393	Insulator, solenoid +	1	32	1-522424	Spring mount wldmt.....	1
8	321-4	Screw, 1/4-20x3/4.....	7	33	1-633111	Switch-brake N.O./N.O.....	1
9	1-633396	Clip- loom .69.....	3	34	1-513762	Clip-loom .50	1
10	32128-33	Nut, 1/4-20 whizlock	7	35	1-633673	Switch.....	1
11	33014-00	Nut, hex M8-1.25	1	36	103-0206	Switch-ignition w/ keys	1
12	3256-23	Washer, 5/16 SAE	1	37	1-513374	Meter- engine hours	1
13	1-523415	Spring- seat switch	1	38	100-6186	Module, seat delay	1
14	33114-016	Screw, hex M8-1.25x16	1	39	1-643115	Plastic tie (large)	1
15	1-800282	Screw, 5/16-18x7.....	1	40	1-513180	Actuator, seat switch	1
16	1-643145	Tab, #10stud .25 Spade 45°	1	41	1-603511	Keys, ignition	1
17	103-0283	Sender Unit, Temp	1	42	32128-20	Nut, 5/16-18 whizlock	2
18	1-643153	Washer, Alum. Sender gskt.	1	43	1-643037	Gauge, Voltmeter	1
19	1-523279	Cable- battery (+).....	1	44	1-643021	Gauge, Temperature.....	1
20	1-633307	Cable-battery (-).....	1	45	1-633782	Switch, tilt	1
21	1-543391	Insulator-battery.....	1	46	103-0498	Nut, Ignition	1
22	1-303335	Plastic tie (medium)	7	47	103-0499	Seal, Ignition.....	1
23	3256-2	Washer, 1/4 flat	2	48	1-513051	Switch, drive lever N.O.....	2
24	103-0293	Battery-12V.....	1	49	3256-23	Washer, 5/16 SAE.....	1
25	1-303287	Plastic tie (small)	3				

◇ Use dielectric grease on all wiring harness connectors.

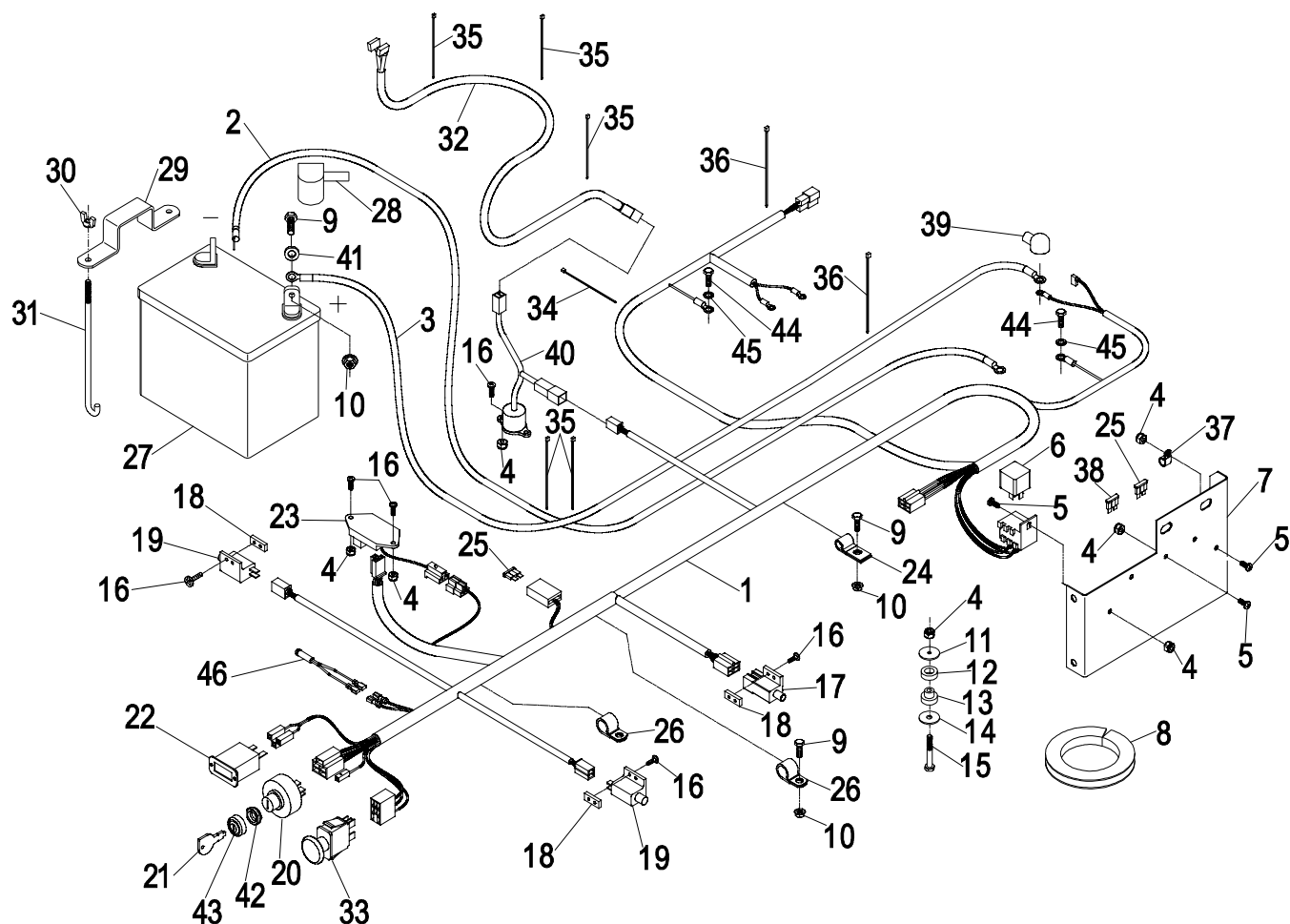
KAWASAKI 23 HP LIQUID-COOLED ELECTRICAL GROUP



Ref. No.	Part No.	Description	Qty. Req'd.	Ref. No.	Part No.	Description	Qty. Req'd.
1	1-643095	Harness-wiring	1	27	1-543792	Wingnut, nyloc	2
2	1-633833	Switch, fan-thermal	1	28	1-633651	Bolt, battery holddown.....	2
3	1-816003	Fuse-30 amp	2	29	3290-500	Screw, #10-24x5/8	12
4	1-643275	Relay, 12V	2	30	1-513152	Switch- seat N.C.	1
5	1-803071	Screw, machine #10-24x1/2	3	31	1-633181	Plate- tapped.....	4
6	3296-2	Nut, nyloc #10-24	7	32	1-633110	Switch- brake N.O./N.O.	1
7	1-543393	Insulator, solenoid +	1	33	1-633111	Switch-drive lever N.O./N.C.	2
8	321-4	Screw, 1/4-20x3/4	11	34	1-513762	Clip-loom .50.....	2
9	1-633396	Clip- loom .69.....	5	35	1-633673	Switch	1
10	32128-33	Nut, 1/4-20 whizlock.....	11	36	1-543070	Switch-ignition w/ keys.....	1
11	33014-00	Nut, hex M8-1.25	1	37	1-513374	Meter- engine hours.....	1
12	1-805005	Washer, lock 5/16	1	38	1-633856	Module, ignition interlock	1
13	1-643178	Insulator, alternator (+) red ..	1	39	1-643115	Plastic tie (large)	5
14	33114-016	Screw, hex M8-1.25x16	1	40	1-513180	Actuator, seat switch.....	1
15	1-800282	Screw, 5/16-18x7	1	41	1-603511	Keys, ignition.....	1
16	1-643145	Tab, #10stud .25 Spade 45°	1	42	1-816001	Fuse-20 amp.....	1
17	1-643036	Sender Unit, Temp	1	43	1-643037	Gauge, Voltmeter.....	1
18	1-643153	Washer, Alum Sender gskt. .	1	44	1-643021	Gauge, Temperature	1
19	1-523279	Cable- battery (+)	1	45	1-523415	Spring- seat switch.....	1
20	1-633307	Cable-battery (-)	1	46	1-522424	Spring mount wldmt.....	1
21	1-543391	Insulator-battery	1	47	32128-20	Nut, 5/16-18 whizlock.....	2
22	1-303335	Plastic tie (medium)	4	48	1-633782	Switch, tilt.....	1
23	3256-2	Washer, 1/4 flat.....	2	49	103-0498	Nut, Ignition.....	1
24	103-0293	Battery-12V	1	50	103-0499	Seal, Ignition	1
25	1-303287	Plastic tie (small)	5	51	3256-23	Washer, 5/16 SAE	1
26	1-633652	Holdown-battery	1	52	98-7249	Relay.....	1

Use dielectric grease on all wiring harness connectors.

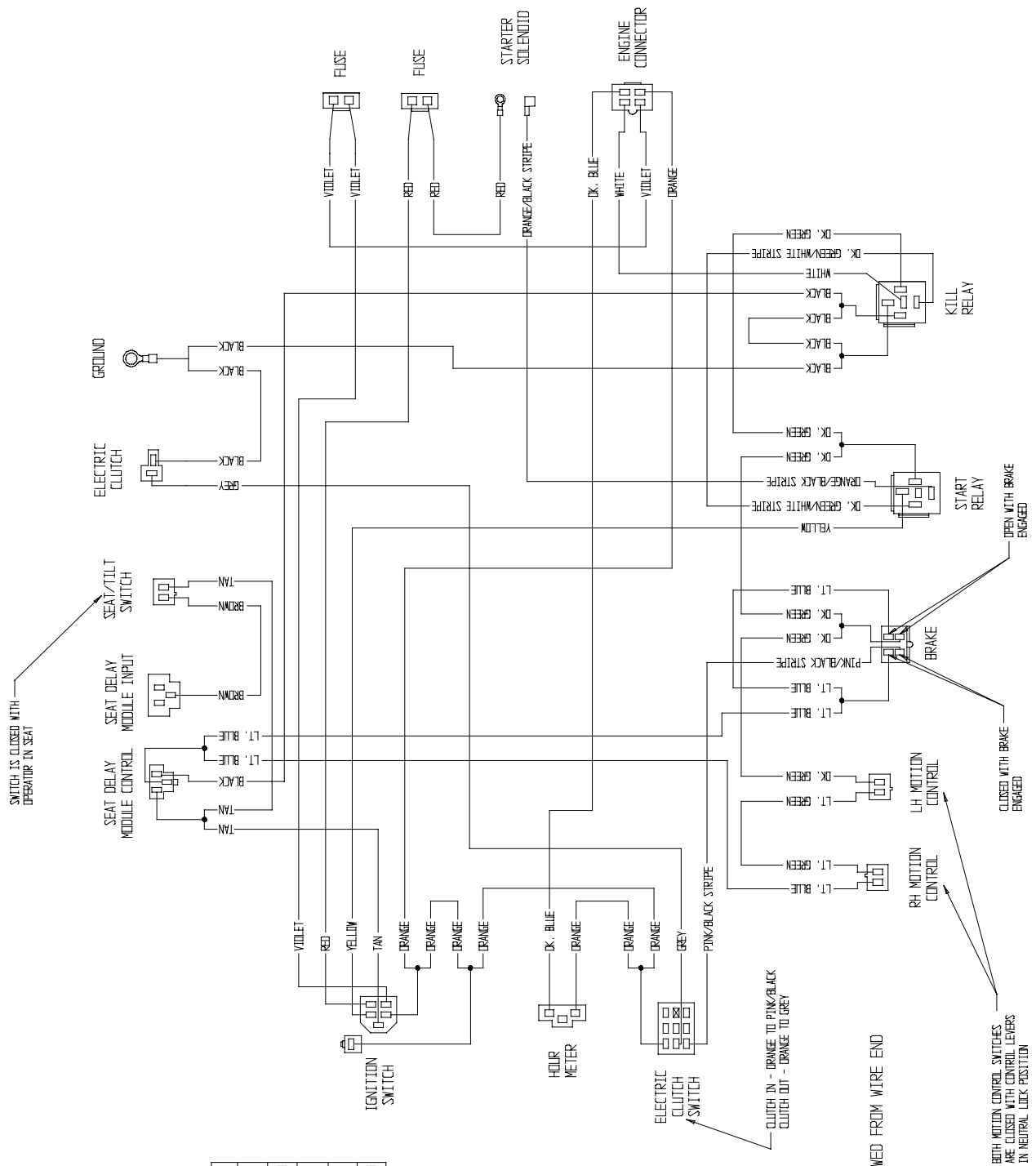
KOHLER 26 HP EFI ELECTRICAL GROUP



Ref. No.	Part No.	Description	Qty. Req'd.	Ref. No.	Part No.	Description	Qty. Req'd.
1	103-0263	Harness-wiring	1	24	1-513762	Clip-loom .50.....	2
2	1-633307	Cable-battery (-).....	1	25	1-816001	Fuse-20 amp	2
3	1-523279	Cable- battery (+).....	1	26	1-633396	Clip- loom .69.....	2
4	3296-2	Nut, nyloc #10-24	14	27	103-0293	Battery-12V.....	1
5	1-803071	Screw, machine #10-24x1/2	6	28	1-543391	Insulator-battery.....	1
6	1-643275	Relay, 12V	1	29	1-633652	Holdown-battery.....	1
7	1-643257	Panel, fuses/relay	1	30	1-543792	Wingnut, nyloc	2
8	1-643246	Trim-lok, 3/16" x 9.75.....	1	31	1-633651	Bolt, battery holddown	2
9	321-4	Screw, 1/4-20x3/4	6	32	1-633840	Wiring Harness, seat	1
10	32128-33	Nut, 1/4-20 whizlock.....	6	33	1-633673	Switch	1
11	1-805518	Washer, fender #10 x 1.0	4	34	1-303287	Plastic tie (small)	1
12	1-643325	Ring Mount, Vibration	4	35	1-303335	Plastic tie (medium)	5
13	1-643326	Bushing Mount, Vibration	4	36	1-643115	Plastic tie (large)	2
14	1-805519	Washer, Fender 1/4 x 1.0 ...	4	37	1-323229	Clip, loom 3/8	1
15	1-803074	Screw, Shoulder .25 x .75 ...	4	38	1-816002	Fuse, 10 amp	1
16	3290-500	Screw, #10-24x5/8	8	39	1-543393	Insulator, solenoid +	1
17	1-633111	Switch, N.O./N.O.....	1	40	1-633782	Switch, tilt	1
18	1-633181	Plate- tapped.....	3	41	3256-2	Washer, 1/4 flat	2
19	1-513051	Switch, N.O./N.C.....	2	42	103-0498	Nut, Ignition	1
20	103-0206	Switch-ignition w/ keys	1	43	103-0499	Seal, Ignition	1
21	1-603511	Keys, ignition.....	1	44	33114-016	Screw, M8-1.25 x 16mm	2
22	1-513374	Meter- engine hours.....	1	45	3256-23	Washer, 5/16 SAE	2
23	100-6186	Module, seat delay	1	46	1-643267	Indicator, Red LED	1

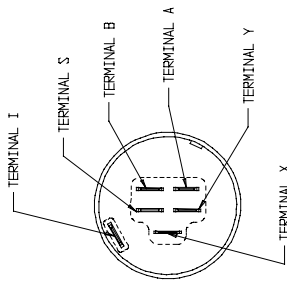
◇ Use dielectric grease on all wiring harness connectors.

KOHLER 23, & 25 HP AIR-COOLED ELECTRICAL DIAGRAM



IGNITION SWITCH

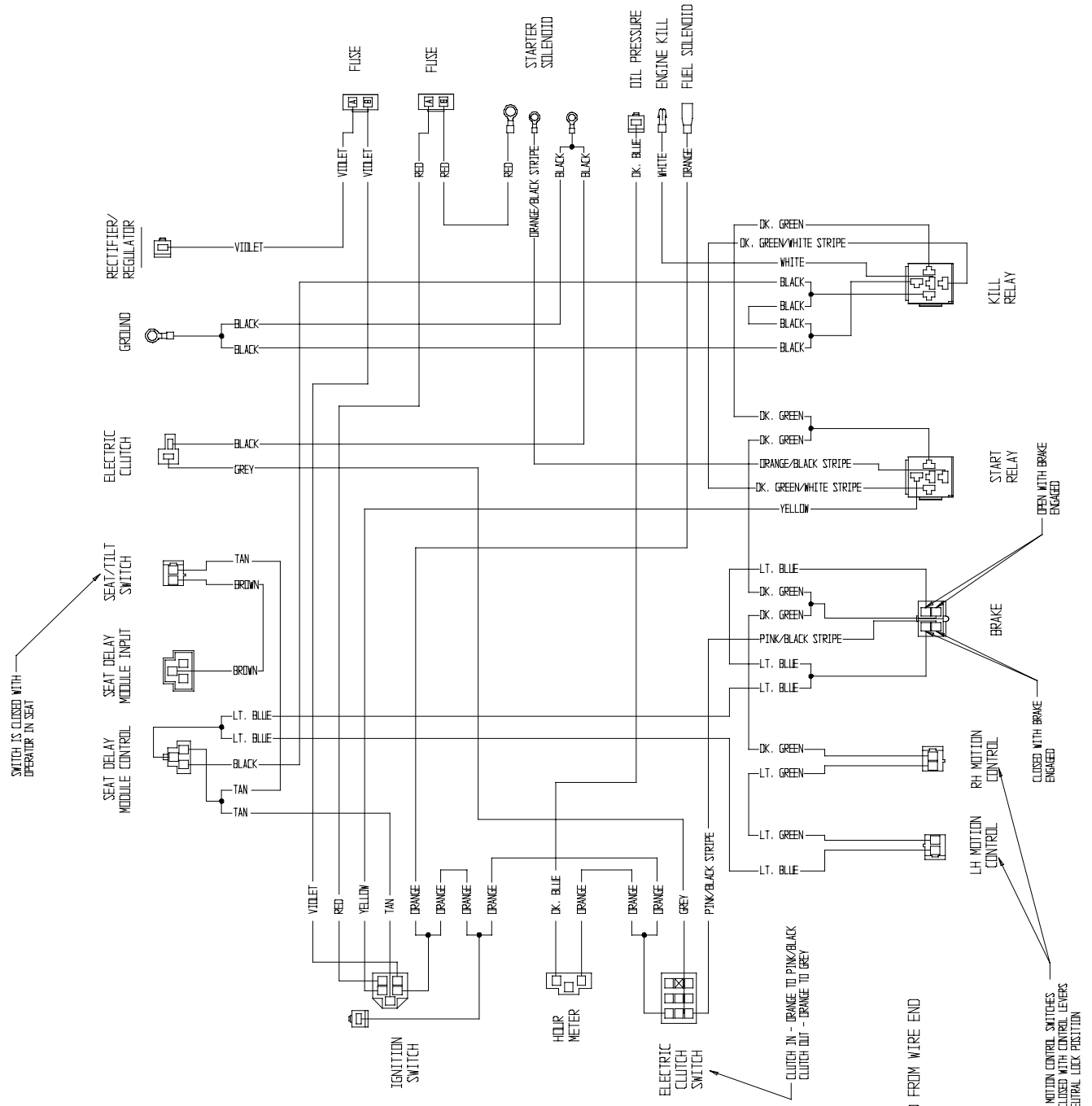
TERMINAL	CONNECTIONS
TERMINAL A	VOLTAGE REGULATOR
TERMINAL B	BATTERY
TERMINAL I	HOUR METER, ENGINE, CLUTCH SWITCH
TERMINAL S	START RELAY
TERMINAL X	SEAT DELAY, TILT SWITCH
TERMINAL Y	HOUR METER, ENGINE, CLUTCH SWITCH



POSITION	CIRCUIT "MAKE"
1. OFF	NONE
2. RUN	B + I + A X + Y
3. START	B + I + S

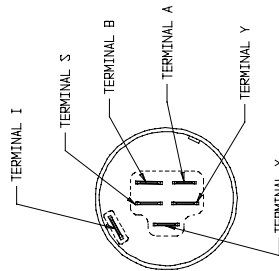
NOTE:
CONNECTORS VIEWED FROM WIRE END

KAWASAKI 23 HP AIR-COOLED ELECTRICAL DIAGRAM



IGNITION SWITCH

TERMINAL	CONNECTIONS
TERMINAL A	RECTIFIER/REGULATOR
TERMINAL B	BATTERY
TERMINAL I	HOUR METER, FUEL SOLENOID, CLUTCH SWITCH
TERMINAL S	START RELAY
TERMINAL X	SEAT DELAY, TILT SWITCH
TERMINAL Y	HOUR METER, FUEL SOLENOID, CLUTCH SWITCH

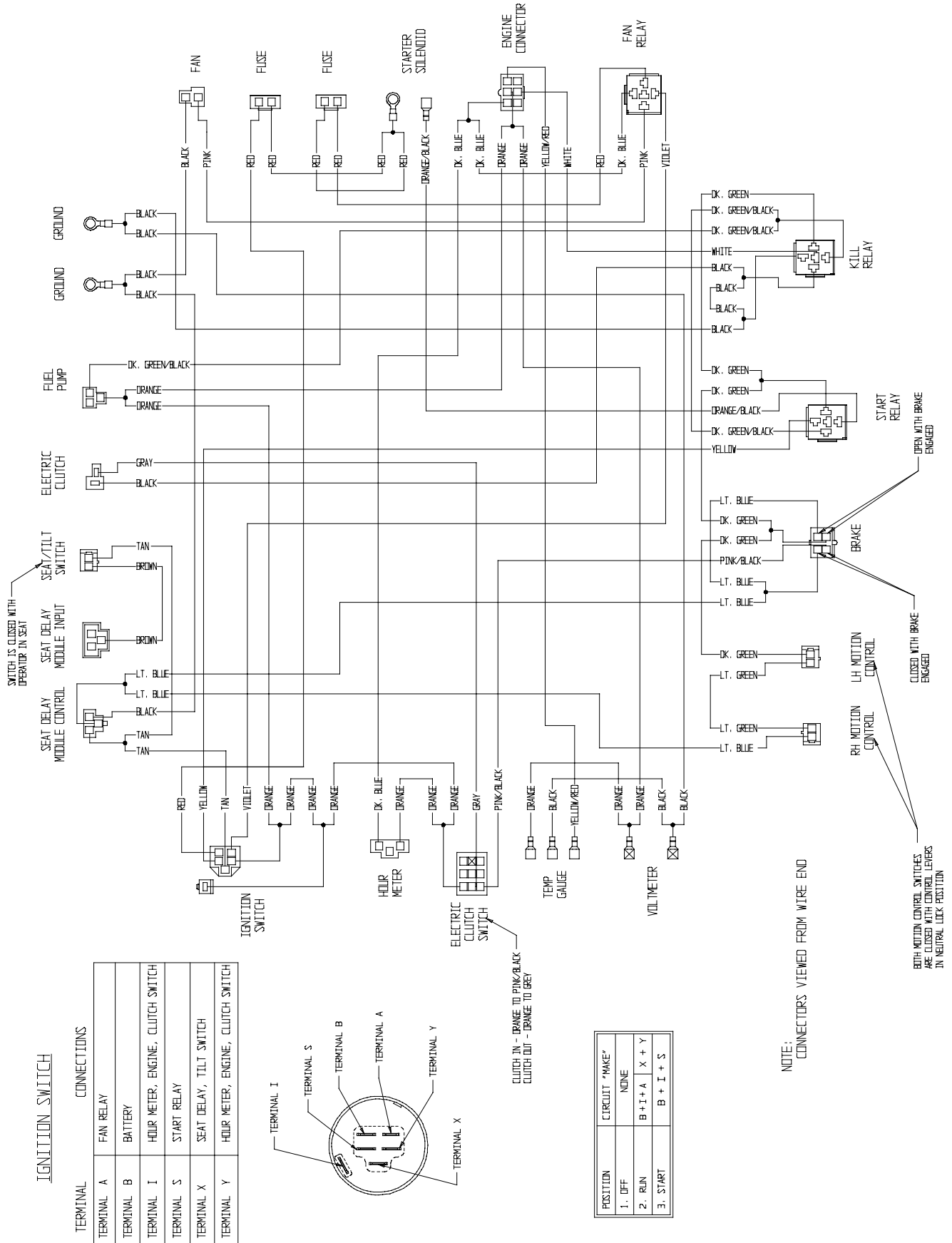


POSITION	CIRCUIT "MAKE"
1. OFF	NONE
2. RUN	B + I + A X + Y
3. START	B + I + S

NOTE:
CONNECTORS VIEWED FROM WIRE END

BOTH MOTION CONTROL SWITCHES ARE CLOSED WITH CONTROL LEVERS IN NEUTRAL LOCK POSITION

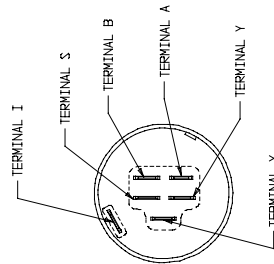
KAWASAKI 27 HP LIQUID-COOLED ELECTRICAL DIAGRAM



IGNITION SWITCH

CONNECTIONS

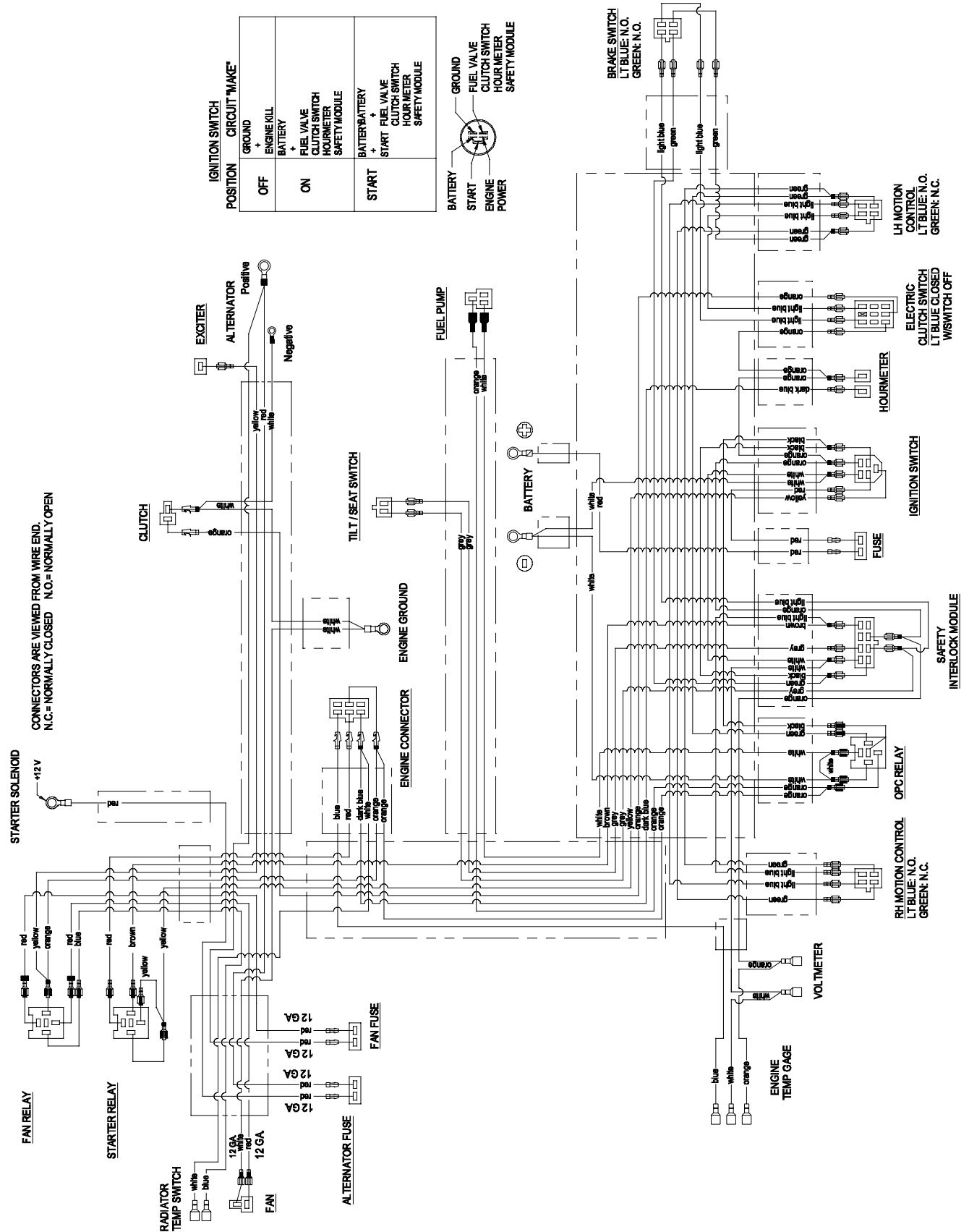
TERMINAL	CONNECTIONS
TERMINAL A	FAN RELAY
TERMINAL B	BATTERY
TERMINAL I	HOURL METER, ENGINE, CLUTCH SWITCH
TERMINAL S	START RELAY
TERMINAL X	SEAT DELAY, TILT SWITCH
TERMINAL Y	HOURL METER, ENGINE, CLUTCH SWITCH



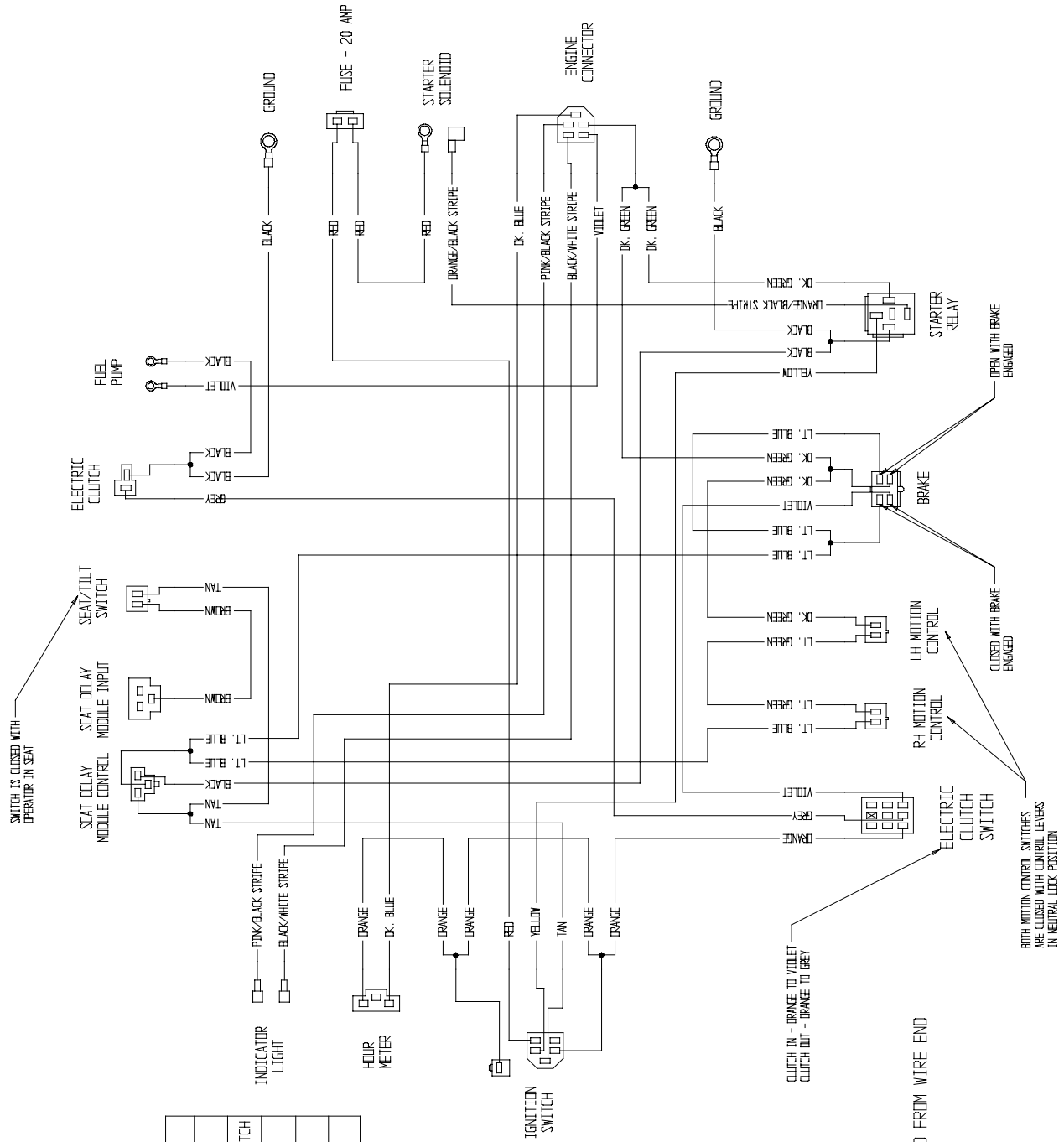
CLUTCH IN - DRANGE TO PINK/BLACK
CLUTCH OUT - DRANGE TO GREY

POSITION	CIRCUIT "MAKE"
1. OFF	NONE
2. RUN	B + I + A X + Y
3. START	B + I + S

KAWASAKI 23 HP LIQUID-COOLED ELECTRICAL DIAGRAM

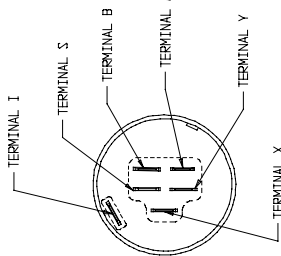


KOHLER 26 HP EFI ELECTRICAL DIAGRAM



IGNITION SWITCH

TERMINAL	CONNECTIONS
TERMINAL A	NOT USED
TERMINAL B	BATTERY
TERMINAL I	HOUR METER, ENGINE, CLUTCH SWITCH
TERMINAL S	START RELAY
TERMINAL X	SEAT DELAY, TILT SWITCH
TERMINAL Y	HOUR METER, CLUTCH SWITCH



POSITION	CIRCUIT "MAKE"
1. OFF	NONE
2. RUN	B + I + A X + Y
3. START	B + I + S

NOTE:
CONNECTORS VIEWED FROM WIRE END

BOTH MOTION CONTROL SWITCHES
ARE CLOSED WITH CONTROL LEVERS
IN NEUTRAL LOCK POSITION

**SEE EXMARK'S COMPLETE
LINE OF PRODUCTS FOR TURF CARE**

LAZER Z[®]

LAZER Z[®] HP

LAZER Z[®] XP

TURF RANGER[®]

TURF TRACER[®]

TURF TRACER[®] HP

VIKING HYDRO

METRO[®]

METRO[®] HP

SELF STEERING SULKY

ULTRA VAC[™]

GRASS CATCHER

MICRO-MULCH[™] ACCESSORY

©1997,1998,1999, 2000, 2001
EXMARK MFG. CO. INC.
INDUSTRIAL PARK BOX 808
BEATRICE, NE 68310
ALL RIGHTS RESERVED

PART NO. 103-0656 Rev C.
(402) 223-6300
FAX (402) 223-5489

PRINTED IN U.S.A.

