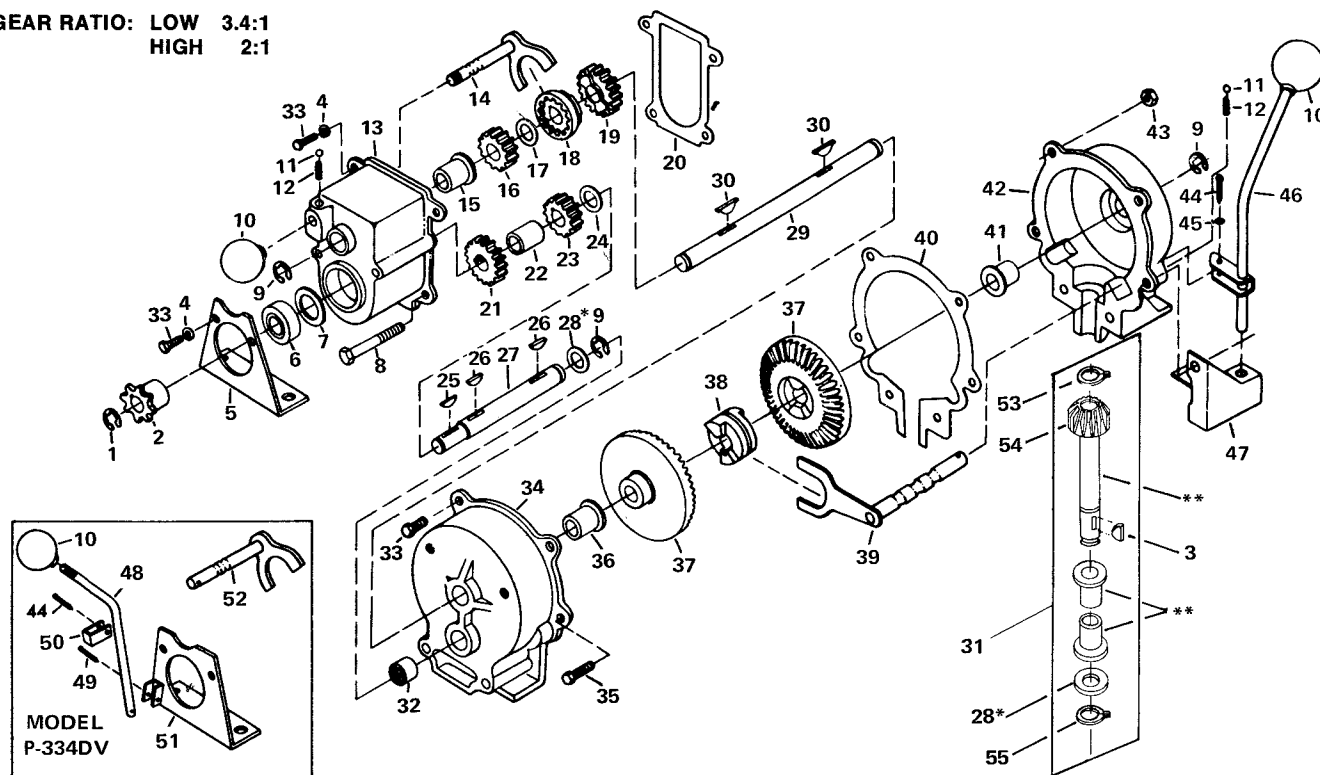


MODEL P-334

Two Speed

GEAR RATIO: LOW 3.4:1
HIGH 2:1

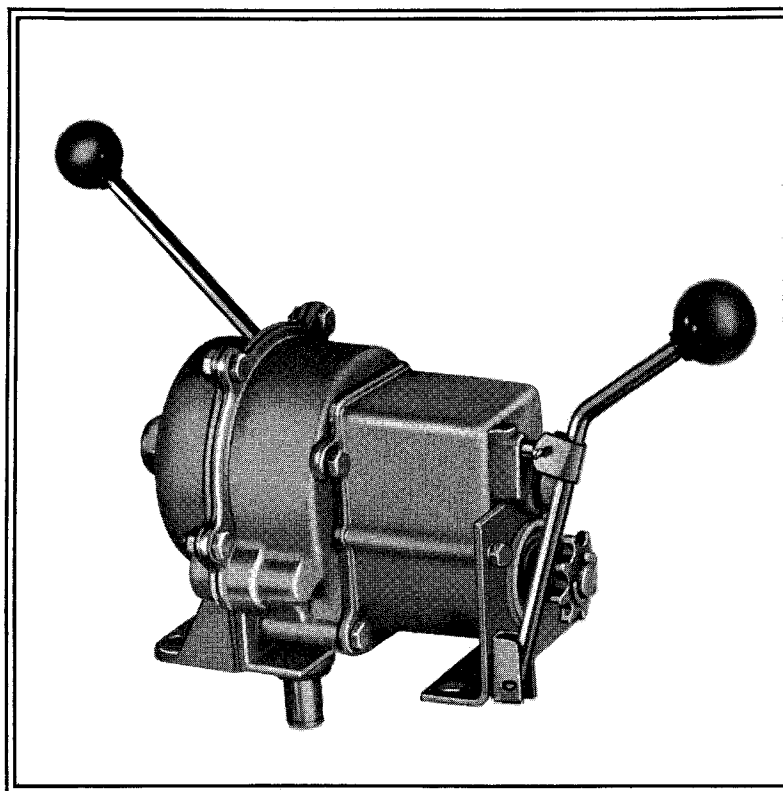


PARTS LIST

Key No.	Footo Part No.	No. Req'd.	Description	Transmission Models Parts Used On	Key No.	Footo Part No.	No. Req'd.	Description	Transmission Models Parts Used On
1	1098	1	Retaining Ring	Models manufactured prior to June, 1974	31	2567	1	Input Shaft Kit Assembly	All models
1	1300	1	Retaining Ring	All models	32	1161	1	Needle Bearing	All models
2	1084	1	8 T. Sprocket (No. 41)	All models	33	1379	7	Hx. Hd. Bolt (1/4-20 x 5/8)	All models
3	1374	1	No. 9 Woodruff Key	All models	34	2549	1	Housing Assembly	All models
4	1389	4	Lock Washer	All models	35	1919	1	Hx. Hd. S.T. Bolt (1/4-20 x 3/4)	All models
5	1199	1	Outboard Support Bracket	All models	36	1193	1	Flange Bearing	All models
6	1191	1	Ball Bearing	All models	37	1543	2	42 T. Bevel Gear	All models
7	1959	1	Washer (.010)	All models	38	1083	1	Clutch Collar	All models
8	1382	2	Hx. Hd. Bolt (1/4-20 x 2 1/2)	All models	39	2253	1	Detent Shaft Assembly	All models except P-334-11, P-334-12
9	1106	3	Retaining Ring	All models	39	2376	1	Detent Shaft Assembly	Models P-334-11, P-334-12
10	1155	2	Shift Knob	All models	40	1156	1	Gasket	All models
11	1151	2	Detent Ball	All models	41	1143	1	Flange Bearing	All models
12	1150	2	Detent Spring	All models	42	2558	1	Housing Assembly	All models
13	2560	1	Housing Assembly	All models	43	1392	6	Lock Nut (1/4-20)	All models
14	2056	1	Detent Shaft Assembly	All models	44	1390	2	Cotter Pin	All models
15	1192	1	Flange Bearing	All models	45	1387	1	No. 4 Washer	All models
16	3280	1	13 T. Spur Gear	All models	46	2269	1	Shift Lever Assembly	All models
17	1082	1	Washer (.031)	All models	47	1427	1	Shift Lever Bracket	All models except P-334-11, P-334-12
18	1176	1	Clutch Collar	All models	48	1228	1	Shift Lever	All models except P-334-11, P-334-12
19	1175	1	17 T. Spur Gear	All models	49	1426	2	Cotter Pin	All models except P-334-11, P-334-12
20	1213	1	Gasket	All models	50	1206	1	Shift Lever Clip	All models except P-334-11, P-334-12
21	1118	1	17 T. Spur Gear	All models	51	2070	1	Outboard Support Bracket	All models except P-334-11, P-334-12
22	1081	1	Spacer	All models	52	2060	1	Detent Shaft Assembly	All models
23	1174	1	13 T. Spur Gear	All models	53	1100	1	Retaining Ring	All models
24	1103	1	Thrust Washer	All models	54	1105	1	16 T. Bevel Pinion	All models
25	1371	1	No. 4 Woodruff Key	All models	55	1099	1	Retaining Ring	All models
26	1464	2	No. 5 Woodruff Key	All models					
27	1180	1	Output Shaft	All models					
28	1068	*	Washer (.040)	All models					
28	1082	*	Washer (.030)	All models					
28	1145	*	Washer (.060)	All models					
28	1319	*	Washer (.080)	All models					
29	1177	1	Intermediate Shaft	All models					
30	1212	2	Special Hi-Pro Key	All models					

Note: * Use in various combinations to maintain proper clearances.
** Order Key No. 31.

MODEL P-334



FOOTE MODEL NO.	YEARS BUILT	CUSTOMER'S NAME	CUSTOMER'S PART NO.
P-334-A P-334-B P-334-C P-334-CN P-334-D P-334-DV P-334-E P-334-F P-334-G P-334-H P-334-J P-334-K P-334-KV P-334-L P-334-M		Hahn Great Lakes Toro Toro Standard Standard Lazy Boy Dura Steel Falls Keen Motor Wheel Air Capital Air Capital Suburban Keen	

FOOTE MODEL NO	YEARS BUILT	CUSTOMER'S NAME	CUSTOMER'S PART NO.
P-334-MV		Keen	
P-334-N		Milligan	
P-334-P		Gardex	
P-334-R		Atlas	
P-334-SNV		Bolens	
P-334-TV		Modern Tool & Die	
P-334-UV		Quick	
P-334-VV		Modern Tool & Die	
P-334-W		Gilson	
P-334-XV		Atlas	
P-334-YV		A.M.F. Western	
P-334-Z		Wolf Genate	
P-334-AA		A.M.F. Western	
P-334-ABNV		Bolens	
P-334-AC		Atwater Strong	
P-334-AD		Jari	
P-334-AE		Gilson	
P-334-1		Bolens	
P-334-2		Atwater Strong	
P-334-3		Gilson	
P-334-4		Uebler	
P-334-5		Southland Tubesing	
P-334-6		Modern Tool & Die	
P-334-7		Gilson	
P-334-8		Bolens	
P-334-9		Atwater Strong	
P-334-10		Air Capital	
P-334-11		Uebler	
P-334-12		Uebler	