



DANA CORPORATION

FREDERICKTOWN, OH 43019

SERVICE PARTS REPLACEMENT LISTING

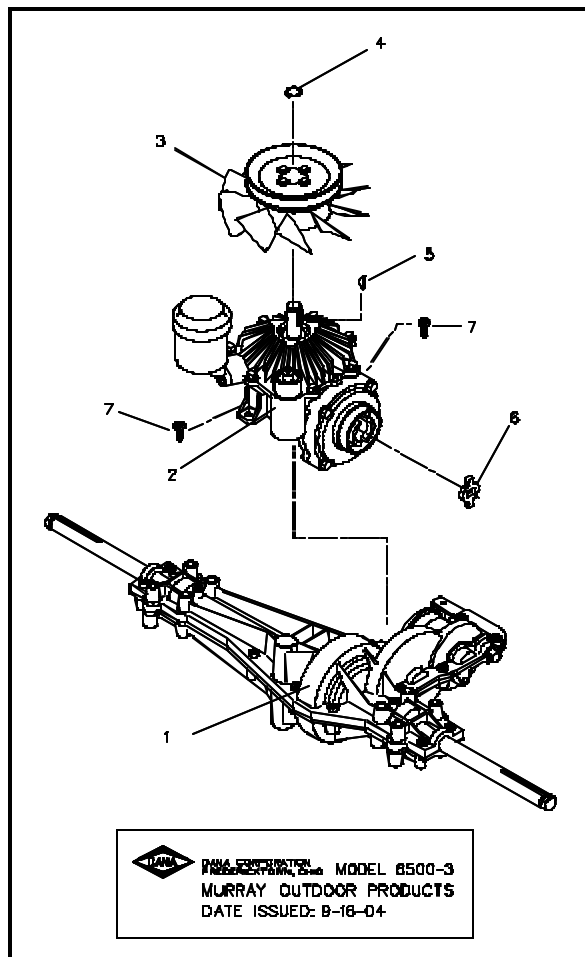
MODEL NO.: 6500-3


DATE ISSUED: 9/16/2004

DESCRIPTION: HYDROSTATIC TRANSAXLE

CUSTOMER : MURRAY OUTDOOR PRODUCTS

KEY NO.	DANA PART NO.	NO. REQ'D.	DESCRIPTION
1	6500-3	1	Gear Box
2	6447	1	Hydrostatic Pump & Motor
3	6203	1	Assembly, Fan & Pulley
4	5366	1	Ring, Retaining
5	1375	1	Key, Woodruff, #61
6	5356	1	Key, Drive
7	1919	2	Screw, Tapping, 1/4-20



 **SPICER PARTS MODEL 6500-3**
MURRAY OUTDOOR PRODUCTS
 DATE ISSUED: 9-16-04