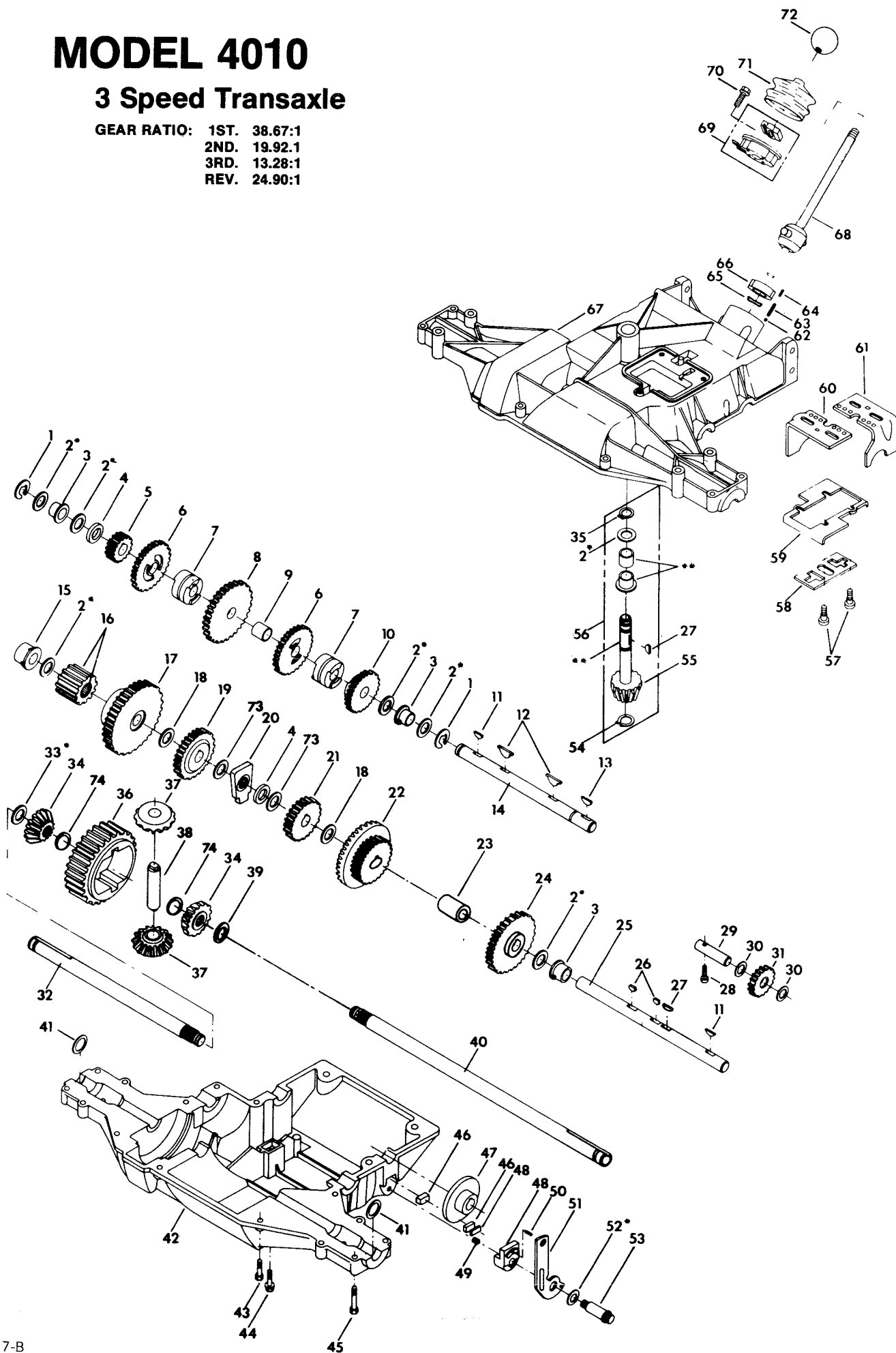


MODEL 4010

3 Speed Transaxle

GEAR RATIO: 1ST. 38.67:1
2ND. 19.92:1
3RD. 13.28:1
REV. 24.90:1



Key No.	Foot Part No.	No. Req'd.	Description	Transmission Models Parts Used On	Key No.	Foot Part No.	No. Req'd.	Description	Transmission Models Parts Used On
1	1106	2	Ring, Retaining	All models	37	3156	2	Gear, Miter, 15 T.	All models
2	1145	*	Washer (.060)	All models	38	3179	1	Shaft, Cross	All models
2	1358	*	Washer (.050)	All models	39	3184	1	Washer (.031)	All models
2	1425	*	Washer (.045)	All models	40	3182	1	Axle, R.H.	All models
2	1068	*	Washer (.040)	All models	41	3191	2	Seal, Felt	All models
2	1424	*	Washer (.035)	All models	42	3264-2	1	Housing, Lower	All models
2	1082	*	Washer (.031)	All models	43	1919	8	Bolt, Hx. Hd. S.T., 1/4-20 x .750	All models
2	1423	*	Washer (.025)	All models	44	3323	1	Screw, Machine, #12-24 x .625	All models
2	1441	*	Washer (.020)	All models	45	1360	6	Bolt, Hx. Hd. S.T., 1/4-20 x 1-5/16	All models
3	1101	3	Bearing, Flange	All models	46	3295	2	Puck, Friction	All models
4	3309	2	Spacer, 1.00 x .630 x .110	All models	47	1902	1	Disc, Brake	All models
5	1174	1	Gear, Spur, 13 T.	All models	48	2618	1	Assembly, Brake Jaw	Standard - No model
6	3141	2	Gear, Spur, 25 T.	All models	48	2839	1	Assembly, Brake Jaw	Model 4010-1
7	1574	2	Collar, Clutch	All models	49	1479	1	Spring, Compression	All models
8	3143	1	Gear, Spur, 33 T.	All models	50	1606	1	Screw, Set (no. 8-32)	All models
9	3173	1	Spacer, .87 x .630 x .679	All models	51	2758	1	Assembly, Lever, Actuating	All models
10	3144	1	Gear, Spur, 20 T.	All models	52	1544	*	Washer, Plain, .750 x .505 x .015	All models
11	1369	2	Key, Wdrf., #3 Alloy	All models	52	1546	*	Washer, Plain, .750 x .505 x .006	All models
12	3068	2	Key, Hi-Pro, Special	All models	53	1477	1	Bolt, Shoulder	All models
13	1375	1	Key, Wdrf., #61 Alloy	All models	54	1100	1	Ring, Retaining	All models
14	3305	1	Shaft, Intermediate	All models	55	3232	1	Pinion, Bevel, 16 T.	All models
15	3186	1	Bearing, Flange	All models	56	2798	1	Assembly, Input Shaft Kit	Model 4010-4
16	2863	1	Assembly, Gear, Spur, 12 T.	All models	56	2799	1	Assembly, Input Shaft Kit	Standard - No model
17	3146	1	Gear, Spur, 37 T.	All models	56	2841	1	Assembly, Input Shaft Kit	Model 4010-1
18	1425	2	Washer (.045)	All models	57	3240	4	Screw, Pozi-Driv	All models
19	3147	1	Gear, Spur, 25 T.	All models	58	3296	1	Plate, Lock-Out	All models
20	2794	1	Assembly, Support, Shaft	All models	59	3208	1	Plate, Fork, Support	All models
21	3148	1	Gear, Spur, 17 T.	All models	60	3297	1	Fork, Shifter	All models
22	3151	1	Gear, Spur, 20 T., Bevel, 42 T.	All models	61	3189	1	Fork, Shifter	All models
23	3174	1	Spacer, .87 x .630 x 1.375	All models	62	1037	2	Ball, Detent	All models
24	3153	1	Gear, Spur, 30 T.	All models	63	1475	2	Spring, Detent	All models
25	3199	1	Shaft, Drive	All models	64	3239	2	Screw, Set, 1/4-20 x 1/2	All models
26	3311	2	Key, Wdrf., #3 Alloy, Special	All models	65	1096	1	Washer, Wave	All models
27	1374	2	Key, Wdrf., #9 Alloy	All models	66	1091	1	Insert, Nylon	All models
28	3188	1	Screw, Tapping, #10-24 x 1.00	All models	67	3265-5	1	Housing, Upper	All models
29	3182	1	Shaft, Idler	All models	68	2837	1	Assembly, Lever, Shift	Model 4010-1
30	3194	2	Washer, Plain, 1.00 x .505 x .020	All models	69	2802	1	Assembly, Switch, Kit	Standard - No model
31	2718	1	Assembly, Gear, Idler	All models	69	2842	1	Assembly, Switch, Kit	Model 4010-1
32	3163	1	Axle, L.H.	All models	70	3306	4	Screw, Hx. Hd. S.T., #10-24 x 1.00	All models
33	3180	*	Washer (.062)	All models	71	3307	1	Boot, Switch	All models
33	3184	*	Washer (.031)	All models	72	1318	1	Knob, Shift	Standard - No model
33	3198	*	Washer (.040)	All models	73	1423	2	Washer, Plain (.025)	All models
34	3155	2	Gear, Miter, 15 T., Splined	All models	74	3395	2	Ring, Retaining, Spirolox ®	All models
35	1099	1	Ring, Retaining	All models					
36	3154	1	Gear, Spur, 32 T.	All models					

Note: * Use in various combinations to maintain proper clearances.
** Order key no. 56.