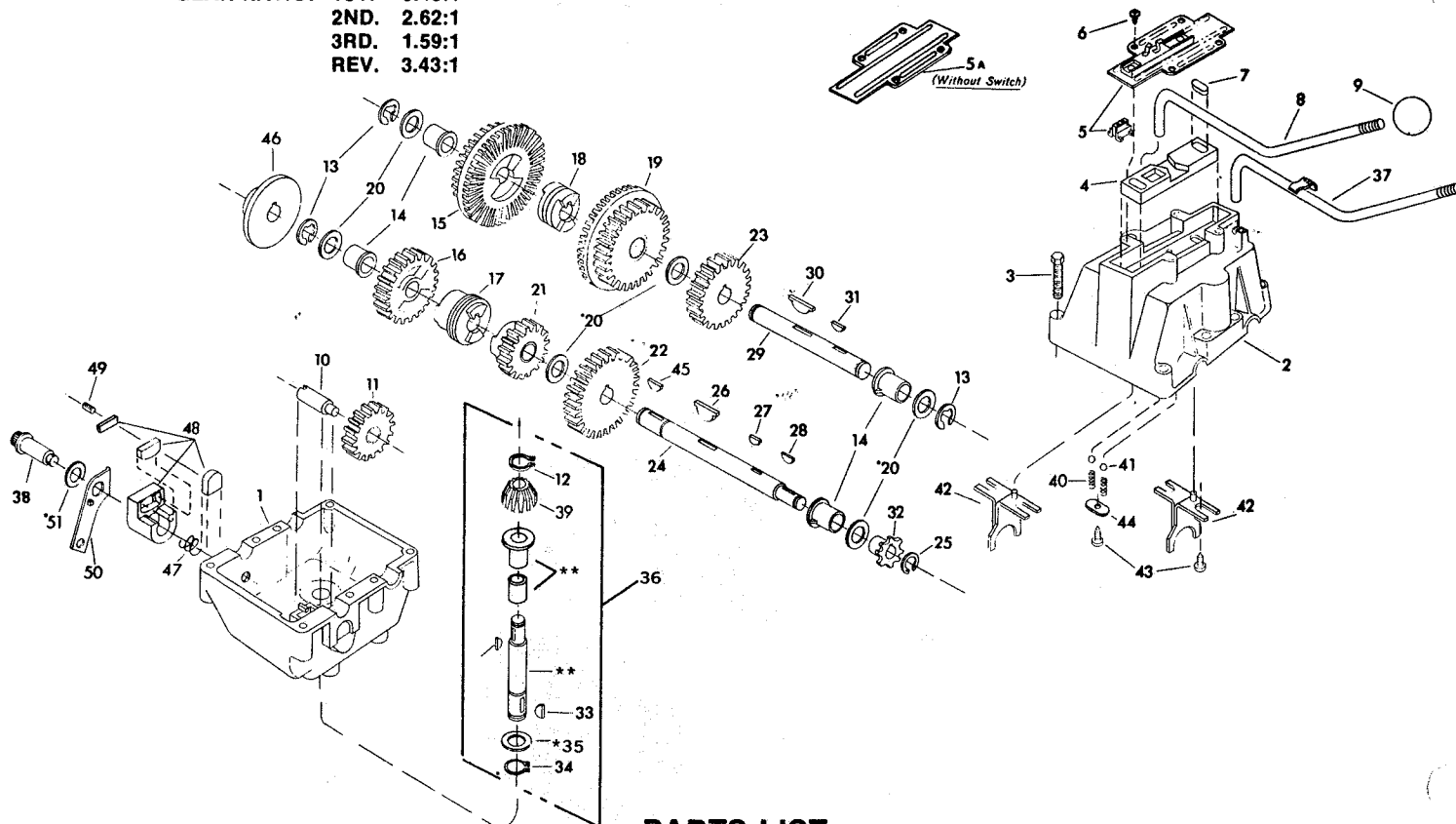


# MODEL 2500

## Three Speed

GEAR RATIO: 1ST. 3.43:1  
 2ND. 2.62:1  
 3RD. 1.59:1  
 REV. 3.43:1



### PARTS LIST

Key No.	Footo Part No.	No. Req'd.	Description	Transmission Models Parts Used On	Key No.	Footo Part No.	No. Req'd.	Description	Transmission Models Parts Used On
1	1690-A	1	Lower Housing	All models	32	1084	1	8 T. Sprocket (No. 41)	Models 2500-5, 2500-8
2	1691	1	Upper Housing	All models	32	1129	1	8 T. Sprocket (No. 41)	All models except 2500-5, 2500-6, 2500-8
3	1360	8	Hx. Hd. Bolt (1/4-20 x 1 5/16)	All models	32	1779	1	7 T. Sprocket (No. 41)	Model 2500-6
4	1776	1	Cam Plate	All models	33	1373	1	No. 9 Woodruff Key	All models except 2500-1, 2500-4, 2500-7
5	1705	1	Top Cover Plate	Model 2500-8	33	1422	1	No. 6 Woodruff Key	Models 2500-1, 2500-4, 2500-7
5	2513	1	Switch Kit Assembly	All models except 2500-8	34	1099	1	Retaining Ring	All models
6	1414	4	Screw (No. 8-32 x 3/8)	All models	35	1068	*	Washer (.040)	Combination used on
7	1417	2	Nylon Slide	All models	1082	*	Washer (.031)	2500-2, 2500-3, 2500-5,	
8	1418	1	Shift Lever	Model 2500-9	1358	*	Washer (.050)	2500-6, 2500-8, 2500-9	
8	1519	1	Shift Lever	Model 2500-8	35	1420	*	Washer (.060)	Combination used on
8	1689	1	Shift Lever	Model 2500-2	1430	*	Washer (.041)	2500-1, 2500-4, 2500-7	
8	1785	1	Shift Lever	Model 2500-6	1431	*	Washer (.051)		
9	1318	1	Shift Knob	All models	36	2567	1	Input Shaft Kit Assembly	All models
10	1694	1	Idler Shaft	All models	37	2421	1	Shift Lever Assembly	Model 2500-3
11	2408	1	17 T. Spur Gear Assembly	All models	37	2451	1	Shift Lever Assembly	Models 2500-1, 2500-4, 2500-7
12	1100	1	Retaining Ring	All models	38	1477	1	Shoulder Bolt	All models
13	1106	3	Retaining Ring	All models	39	1105	1	16 T. Bevel Pinion	All models
14	1101	4	Flange Bearing	All models	40	1777	2	Detent Spring	All models
15	1695	1	Spur & Bevel Gear	All models	41	1151	2	Detent Ball	All models
16	1700	1	25 T. Spur Gear	All models	42	2478	2	Shifter Fork Assembly	All models
17	1702	1	Clutch Collar	All models	43	1415	5	Shoulder Bolt	All models
18	1083	1	Clutch Collar	All models	44	1575	1	Washer (.030)	All models
19	2412	1	Spur & Bevel Gear Assembly	All models	45	1375	1	No. 61 Woodruff Key	All models
20	1423	*	Washer (.025)	All models	46	3276	1	Brake Disc	Models 2500-2, 2500-3, 2500-5, 2500-6, 2500-8
20	1424	*	Washer (.035)	All models	46	1675	1	Brake Disc	Models 2500-1, 2500-4, 2500-7, 2500-9
20	1441	*	Washer (.020)	All models	47	1479	1	Compression Spring	All models
20	1708	*	Washer (.015)	All models	48	2480	1	Brake Kit Assembly	All models
21	1697	1	17 T. Spur Gear	All models	49	1606	1	Set Screw (No. 8-32)	All adjustable brake models
22	1701	1	28 T. Spur Gear	All models	50	2243	1	Actuating Lever Assembly	Model 2500-3
23	1699	1	22 T. Spur Gear	All models	50	2246	1	Actuating Lever Assembly	Models 2500-1, 2500-4, 2500-5, 2500-7, 2500-9
24	1711	1	Output Shaft	All models	50	2272	1	Actuating Lever Assembly	Models 2500-6, 2500-8
25	1300	1	Retaining Ring	All models	50	2339	1	Actuating Lever Assembly	Model 2500-2
26	1086	1	Special Hi-Pro Key	All models	51	1546	1	Washer (.006)	All models
27	1734	1	Special Woodruff Key	All models					
28	1371	1	No. 4 Woodruff Key	All models except 2500-6					
28	1588	1	No. 4 Special Woodruff Key	Model 2500-6					
29	1692	1	Drive Shaft	All models					
30	1212	1	Special Hi-Pro Key	All models					
31	1369	1	No. 3 Woodruff Key	All models					

Note: \* Use in various combinations to maintain proper clearances.  
 \*\* Order Key No. 36.