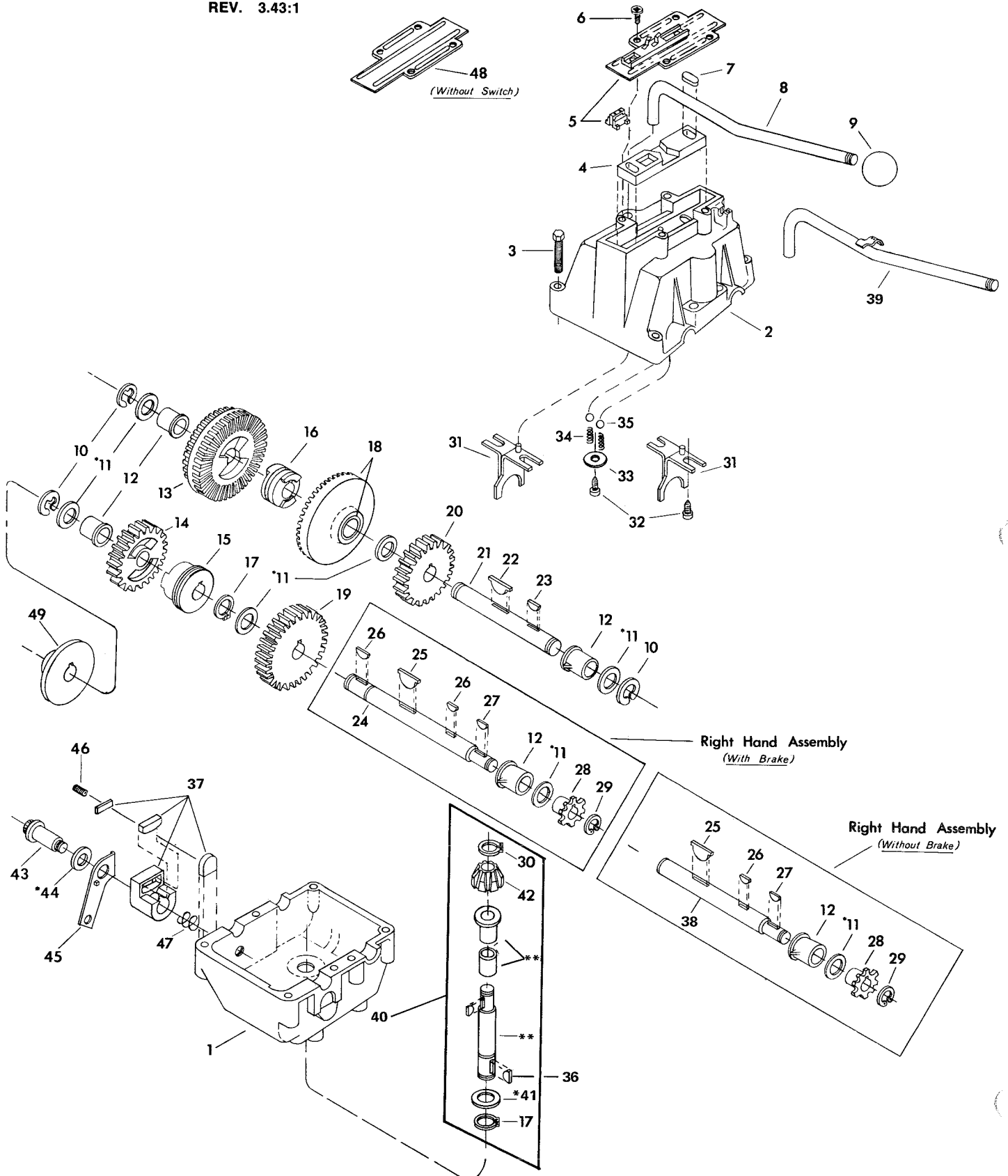


MODELS 2240 and 2140

Two Speed

GEAR RATIO: 1ST. 3.43:1
2ND. 2.06:1
REV. 3.43:1



Key No.	Foot Part No.	No. Req'd.	Description	Transmission Models Parts Used On	Key No.	Foot Part No.	No. Req'd.	Description	Transmission Models Parts Used On
1	1364-A	1	Lower Housing	Models 2140-1, 2140-4, 2140-6, 2140-14, 2140-19	27	1588	1	Special No. 4 Woodruff Key	Models 2240-2, 2240-4
1	1364-B	1	Lower Housing	Model 2140-13	28	1084	1	8 T. Sprocket (No. 41)	Models 2240-4, 2240-7, 2140-2, 2140-4, 2140-10, 2140-11, 2140-12, 2140-13, 2140-14, 2140-16, 2140-17, 2140-19
1	1364-D	1	Lower Housing	Models 2240-5, 2140-8, 2140-9					
1	1364-F	1	Lower Housing	Model 2240-4					
1	1364-K	1	Lower Housing	Models 2140-2, 2140-7, 2140-17, 2140-18					
1	1364-L	1	Lower Housing	Models 2240-2, 2240-7, 2140-10, 2140-11, 2140-12, 2140-16	28	1089	1	7 T. Sprocket (No. 41)	Model 2240-2
2	1365-A	1	Upper Housing	Models 2140-4, 2140-13, 2140-19	28	1129	1	8 T. Sprocket (No. 41)	Models 2240-5, 2140-1, 2140-7, 2140-8, 2140-9
2	1365-B	1	Upper Housing	Models 2140-4, 2140-13, 2140-19	29	1300	1	Retaining Ring	All models
3	1360	7	Hx. Hd. Bolt (1/4-20 x 1 5/16)	All models except 2140-4, 2140-13, 2140-19	30	1100	1	Retaining Ring	All models
4	1400	1	Cam Plate	All models	31	2522	2	Shifter Fork	All models
5	2512	1	Switch Kit Assembly	Models 2140-8, 2140-9, 2140-10, 2140-11, 2140-12, 2140-16, 2140-17	32	1415	5	Shoulder Screw	All models
6	1414	4	Screw, No. 8-32 x 3/8	All models	33	1575	1	Washer (.030)	All models
7	1417	2	Nylon Slide	All models	34	1777	2	Detent Spring	All models
8	1418	1	Shift Lever	Models 2140-8, 2140-9, 2140-10, 2140-11, 2140-12, 2140-16, 2140-17	35	1151	2	Detent Ball	All models
8	1447	1	Shift Lever	Model 2140-2	36	1373	1	No. 9 Woodruff Key	All models except 2140-1, 2140-8, 2140-9
8	1518	1	Shift Lever	Models 2140-7, 2140-14	36	1422	1	No. 6 Woodruff Key	Models 2140-1, 2140-8, 2140-9
8	1519	1	Shift Lever	Models 2240-2, 2140-18	37	2480	1	Brake Kit Assembly	All brake models
8	1538	1	Shift Lever	Models 2240-7, 2140-12, 2140-16	38	1404	1	Output Shaft	Models 2140-1, 2140-2, 2140-4, 2140-6, 2140-13, 2140-14, 2140-18, 2140-19
8	1554	1	Shift Lever	Model 2140-4				Output Shaft	Model 2140-17
8	1586	1	Shift Lever	Model 2240-4	38	1930	1	Shift Lever Assembly	Model 2140-11
8	1647	1	Shift Lever	Models 2240-5, 2140-8, 2140-9	39	2420	1	Input Shaft Kit Assembly	All models
8	1689	1	Shift Lever	Model 2140-10	40	2567	1	Washer (.040)	All models except 2240-5, 2140-1, 2140-8, 2140-9
8	1937	1	Shift Lever	Model 2140-17	41	1068	*	Washer (.030)	All models except 2240-5, 2140-1, 2140-8, 2140-9
9	1318	1	Shift Knob	All models	41	1082	*	Washer (.050)	All models except 2240-5, 2140-1, 2140-8, 2140-9
10	1106	3	Retaining Ring	All models	41	1358	*	Washer (.060)	Models 2240-5, 2140-1, 2140-8, 2140-9
11	1068	*	Washer (.040)	All models	41	1420	*	Washer (.060)	Models 2240-5, 2140-1, 2140-8, 2140-9
11	1082	*	Washer (.030)	All models	41	1430	*	Washer (.041)	Models 2240-5, 2140-1, 2140-8, 2140-9
11	1358	*	Washer (.050)	All models	41	1431	*	Washer (.051)	Models 2240-5, 2140-1, 2140-8, 2140-9
12	1101	4	Flange Bearing	All models	42	1105	1	16 T. Bevel Pinion	All models
13	1405	1	Spur & Bevel Gear	All models	43	1477	1	Shoulder Bolt	All brake models
14	1406	1	22 T. Spur Gear	All models	44	1546	*	Washer (.006)	All brake models
15	1401	1	Clutch Collar	All models	45	2243	1	Actuating Lever Assembly	Model 2140-11
16	1083	1	Clutch Collar	All models	45	2246	1	Actuating Lever Assembly	Models 2240-5, 2140-8, 2140-9
17	1099	2	Retaining Ring	All models	45	2272	1	Actuating Lever Assembly	Model 2240-2
18	2309	1	42 T. Bevel Gear Assembly	All models	45	2339	1	Actuating Lever Assembly	Model 2140-10
19	1407	1	28 T. Spur Gear	All models	45	2343	1	Actuating Lever Assembly	Model 2240-4
20	1354	1	22 T. Spur Gear	All models	45	2619	1	Actuating Lever Assembly	Models 2240-7, 2140-12, 2140-16
21	1403	1	Drive Shaft	All models	46	1606	1	Set Screw, No. 8-32	All adjustable brake models
22	1212	1	Special Hi-Pro Key	All models	47	1479	1	Compression Spring	All brake models
23	1369	1	No. 3 Woodruff Key	Models 2240-2, 2240-4, 2240-5, 2240-7, 2140-7, 2140-8, 2140-9, 2140-10, 2140-11, 2140-12, 2140-16	48	1413	1	Top Cover Plate (Without Switch)	Models 2240-2, 2240-4, 2240-5, 2240-7, 2140-1, 2140-2, 2140-4, 2140-6, 2140-7, 2140-13, 2140-14, 2140-17
24	1450	1	Output Shaft (For Brake Models)	All models	49	3276	1	Brake Disc	All models except 2240-5, 2140-1, 2140-8, 2140-9
25	1086	1	Special Hi-Pro Key	All models	49	1675	1	Brake Disc	Models 2240-5, 2140-1, 2140-8, 2140-9
26	1375	1	No. 61 Woodruff Key	All non-brake models					
26	1375	2	No. 61 Woodruff Key	All brake models					
27	1371	1	No. 4 Woodruff Key	All models except 2240-2, 2240-4					

Note: * Use in various combinations to maintain proper clearances.
 ** Order Key No. 40.