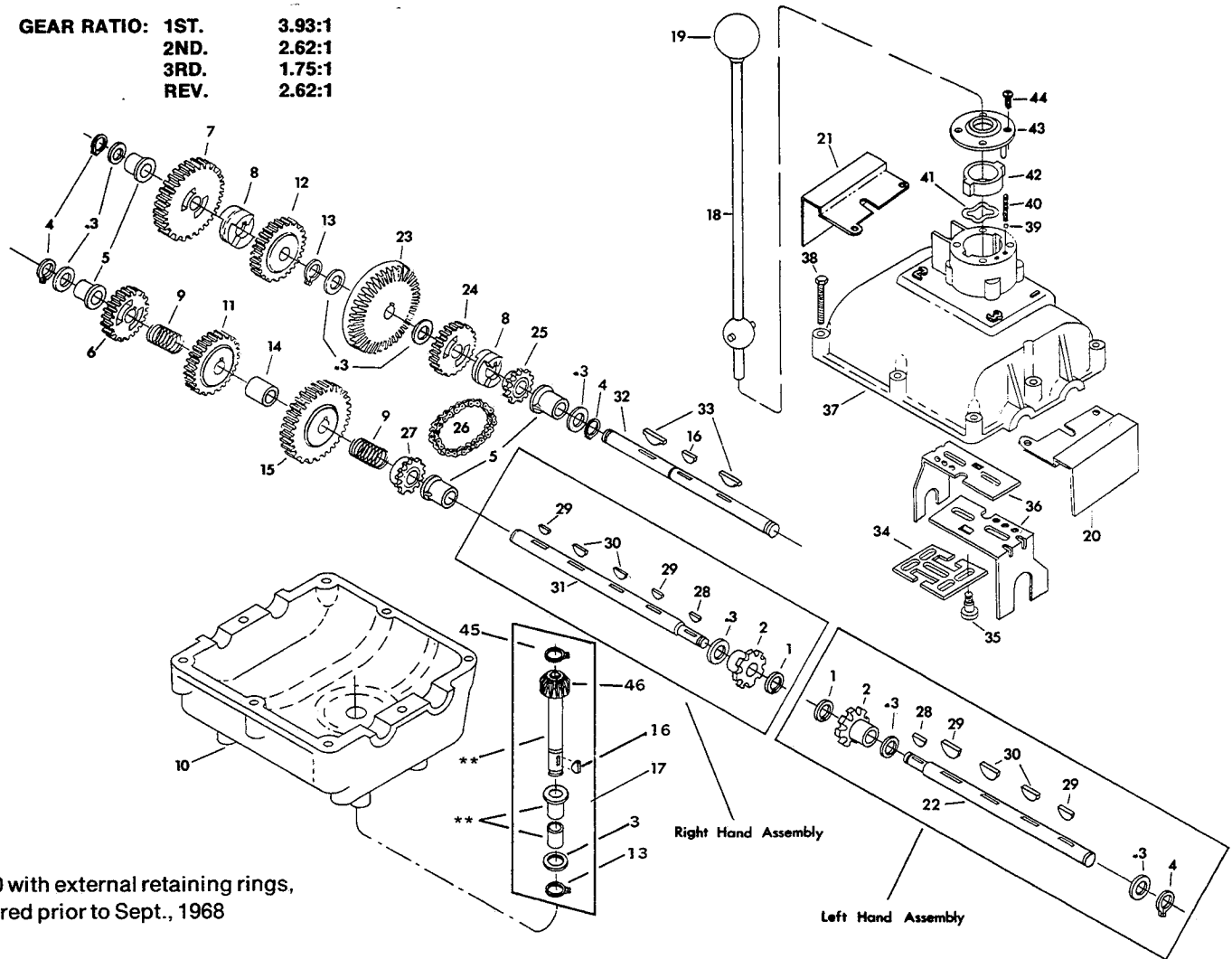


MODEL 2010

Three Speed

DRIVE SHAFT WITH EXTERNAL RETAINING RINGS
MANUFACTURED PRIOR TO SEPT. 1968

GEAR RATIO: 1ST. 3.93:1
2ND. 2.62:1
3RD. 1.75:1
REV. 2.62:1



Model 2010 with external retaining rings,
manufactured prior to Sept., 1968

PARTS LIST

Key No.	Foote Part No.	No. Req'd.	Description	Transmission Models Parts Used On	Key No.	Foote Part No.	No. Req'd.	Description	Transmission Models Parts Used On
1	1300	1	Retaining Ring		23	2435	1	42 T. Bevel Gear	
2	1084	1	8 T. Sprocket (No. 41)		24	1071	1	20 T. Gear	
3	1082	*	Washer (.030)		25	1087	1	12 T. Sprocket	
3	1068	*	Washer (.040)		26	1090	1	Chain	
3	1358	*	Washer (.050)		27	1104	1	12 T. Sprocket	
4	1106	3	Retaining Ring		28	1371	1	No. 4 Woodruff Key	
5	1101	4	Flange Bearing		29	1369	2	No. 3 Woodruff Key	
6	3149	1	20 T. Gear		30	1375	2	No. 61 Woodruff Key	
7	2566	1	30 T. Gear		31	1094	1	Output Shaft (R.H.)	
8	1083	2	Clutch Collar		32	2688	1	Drive Shaft	
9	1095	2	Compression Spring		33	1086	2	Special Hi-Pro Key	
10	1064	1	Lower Housing		34	1074	1	Lock-Out Plate	
11	2771	1	25 T. Gear Kit Assembly		35	1073	4	Shoulder Screw	
12	2772	1	25 T. Gear Kit Assembly		36	1070	2	Shifter Fork	
13	1099	2	Retaining Ring		37	2630	1	Upper Housing Assembly	
14	3214	1	Spacer		38	1360	8	Hx. Hd. Bolt (1/4-20 x 1-5/16)	
15	3153	1	30 T. Gear		39	1037	2	Detent Ball	
16	1374	2	No. 9 Woodruff Key		40	1475	2	Detent Spring	
17	2567	1	Input Shaft Kit Assembly		41	1096	1	Wave Washer	
18	Special	1	Shift Lever Assembly		42	1091	1	Nylon Insert	
19	1318	1	Shift Knob		43	1088	1	Nylon Cover	
20	1307	1	Chain Guard (R.H.)		44	1357	4	Screw (No. 10-24 x 1/2)	
21	1309	1	Chain Guard (L.H.)		45	1100	1	Retaining Ring	
22	1094	1	Output Shaft (L.H.)		46	1105	1	16 T. Bevel Pinion	

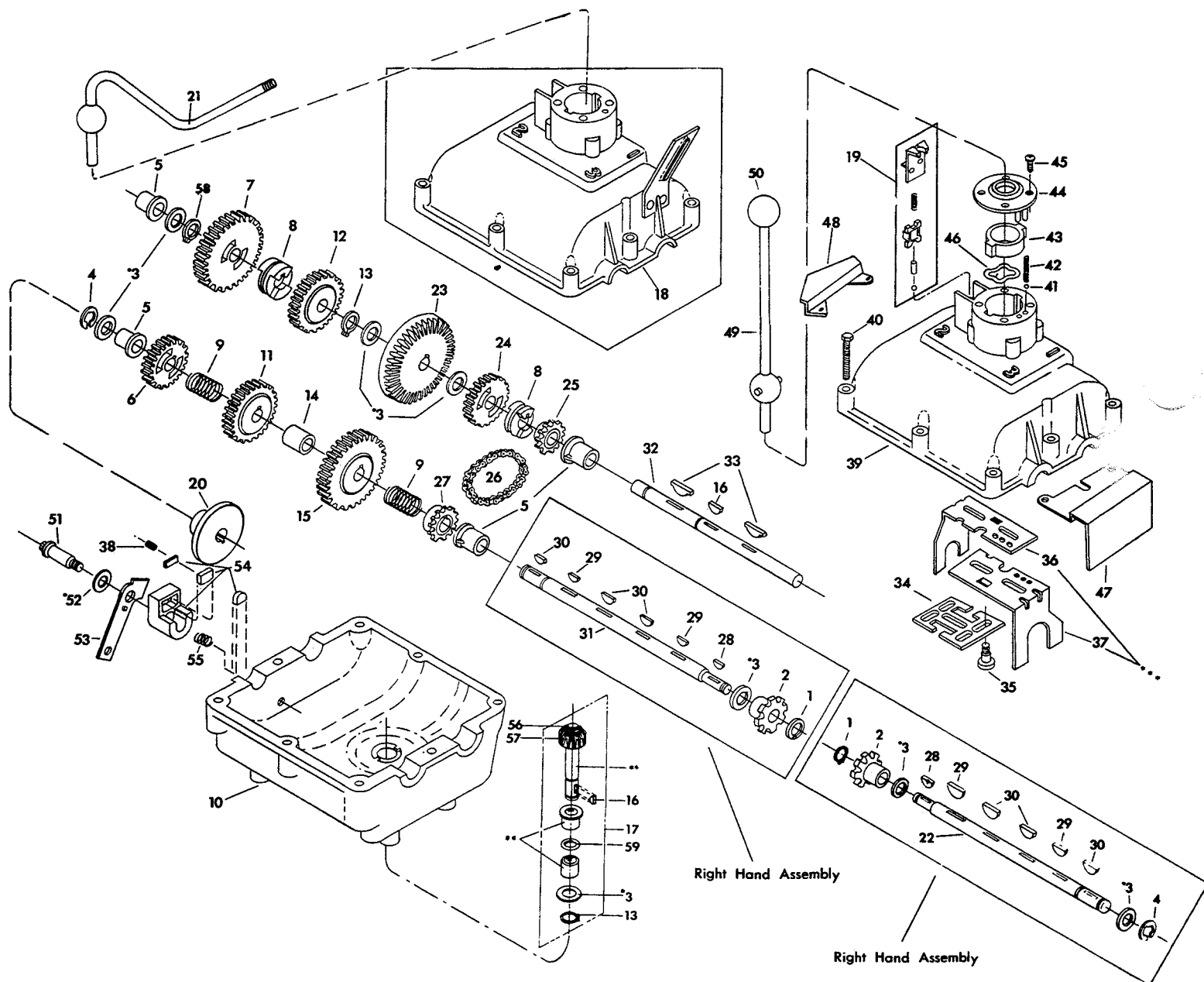
Note: * Use in various combinations to maintain proper clearances.
** Order Key No. 17.

MODELS 2210 and 2010

Three Speed

Drive shaft without external retaining ring
manufactured prior to Nov., 1977

GEAR RATIO:	1ST.	3.93:1
	2ND.	2.62:1
	3RD.	1.75:1
	REV.	2.62:1



Note: *Use in various combinations to maintain proper clearances.

**Order Key No. 17.

***In servicing all 2010 series transmissions manufactured after September, 1968 care must be taken to reassemble the shifter forks correctly. There must be a left hand and a right hand shifter fork for all units and they must be installed so as to have the three detent holes in the shifter fork in a position relative to the detent hole in the upper housing.

PARTS LIST

Key No.	Foot Part No.	No. Req'd.	Description	Transmission Models Parts Used On	Key No.	Foot Part No.	No. Req'd.	Description	Transmission Models Parts Used On
1	1300	1	Retaining Ring	All models	10	1064-N	1	Lower Housing	Models 2210-4, 2210-5, 2210-6, 2210-12, 2010-16, 2010-17, 2010-18, 2010-19, 2010-20, 2010-21, 2010-22, 2010-23, 2010-24, 2010-25, 2010-26, 2010-29, 2010-30, 2010-31, 2010-32, 2010-33, 2010-34, 2010-35, 2010-39, 2010-40, 2010-43, 2010-44, 2010-45, 2010-47, 2010-49, 2010-50, 2010-51, 2010-52, 2010-53, 2010-54, 2010-55, 2010-56, 2010-57, 2010-60, 2010-62, 2010-64, 2010-69, 2010-70
2	1084	1	8 T. Sprocket (No. 41)	Models 2210-1, 2210-4, 2210-9, 2210-10, 2210-12, 2010-3, 2010-12, 2010-13, 2010-15, 2010-19, 2010-20, 2010-21, 2010-22, 2010-23, 2010-24, 2010-25, 2010-26, 2010-29, 2010-30, 2010-31, 2010-32, 2010-33, 2010-34, 2010-35, 2010-39, 2010-40, 2010-43, 2010-44, 2010-45, 2010-47, 2010-49, 2010-50, 2010-51, 2010-52, 2010-53, 2010-54, 2010-55, 2010-56, 2010-57, 2010-60, 2010-62, 2010-64, 2010-69, 2010-70	10	1064-R	1	Lower Housing	Models 2010-49, 2010-69
					11	2771	1	25 T. Gear Kit Assembly	All models
					12	2772	1	25 T. Gear Kit Assembly	All models
					13	1099	2	Retaining Ring	All models
					14	3214	1	Spacer	All models
					15	3153	1	30 T. Spur Gear	All models
					16	1374	2	No. 9 Woodruff Key	All models
2	1089	1	71 T. Sprocket (No. 41)	Models 2210-6, 2010-8, 2010-16, 2010-17, 2010-18, 2010-36, 2010-37, 2010-38, 2010-42, 2010-48, 2010-58, 2010-68	17	2567	1	Input Shaft Kit Assembly	All models except 2010-59
					17	2571	1	Input Shaft Kit Assembly	Model 2010-59
					18	2390	1	Upper Housing Assembly	Models 2010-16, 2010-17, 2010-19, 2010-20, 2010-21, 2010-22, 2010-23, 2010-24, 2010-26, 2010-29, 2010-31, 2010-33, 2010-34, 2010-35, 2010-36, 2010-37, 2010-39, 2010-40, 2010-47, 2010-48, 2010-53, 2010-55, 2010-58, 2010-64, 2010-65, 2010-68, 2010-70
2	1129	1	8 T. S.H.I. Sprocket	Models 2010-R, 2010-59, 2010-65, 2010-67					
2	1602	1	8 T. Sprocket (No. 41)	Models 2210-11, 2010-28, 2010-41					
3	1068	*	Washer (.040)	All models					
3	1082	*	Washer (.031)	All models					
3	1145	*	Washer (.060)	All models					
3	1358	*	Washer (.050)	All models					
3	1423	*	Washer (.025)	All models					
3	1424	*	Washer (.035)	All models					
3	1425	*	Washer (.045)	All models					
3	1441	*	Washer (.020)	All models					
4	1106	1	Retaining Ring	All models	18	2631	1	Upper Housing Assembly	Models 2210-4, 2210-5, 2010-15
5	1101	4	Flange Bearing	All models	19	2511	1	Switch Kit Assembly	All models equipped with sensor switch
6	1354	1	22 T. Spur Gear	All models	20	3276	1	Brake Disc	All brake models
					21	2229	1	Shift Lever Assembly	Model 2010-15
					21	2274	1	Shift Lever Assembly	Models 2010-23, 2010-39
					21	2311	1	Shift Lever Assembly	Models 2210-4, 2010-21, 2010-31, 2010-35, 2010-47, 2010-53
6	3149	1	20 T. Spur Gear	All models Except 2210-6, 2010-16, 2010-17, 2010-18, 2010-36, 2010-37, 2010-38, 2010-48, 2010-58	21	2312	1	Shift Lever Assembly	Models 2210-5, 2010-20, 2010-24, 2010-29, 2010-34, 2010-64, 2010-70
7	1571	1	28 T. Spur Gear	Models 2210-6, 2010-16, 2010-17, 2010-18, 2010-36, 2010-37, 2010-38, 2010-48, 2010-58	21	2377	1	Shift Lever Assembly	Models 2010-16, 2010-36
					21	2378	1	Shift Lever Assembly	Models 2010-17, 2010-37
					21	2385	1	Shift Lever Assembly	Models 2010-19, 2010-22, 2010-26, 2010-33
7	2770	1	30 T. Gear Kit Assembly	All models except 2210-6, 2010-16, 2010-17, 2010-18, 2010-36, 2010-37, 2010-38, 2010-48, 2010-58	21	2514	1	Shift Lever Assembly	Model 2010-40
					21	2529	1	Shift Lever Assembly	Model 2010-48
					21	2580	1	Shift Lever Assembly	Models 2010-55, 2010-65
					21	2660	1	Shift Lever Assembly	Model 2010-58
8	1083	2	Clutch Collar	All models except 2010-69	21	2761	1	Shift Lever Assembly	Model 2010-68
8	1574	2	Clutch Collar	Model 2010-69	22	1094	1	Output Shaft (Non-Brake Models)	Models 2010-R, 2010-3, 2010-8, 2010-13, 2010-28, 2010-44, 2010-45, 2010-49, 2010-51, 2010-54, 2010-55, 2010-59, 2010-65, 2010-66, 2010-69
9	1095	2	Compression Spring	All models					All models except 2010-39, 2010-40, 2010-69
10	1064-A	1	Lower Housing	Models 2010-3, 2010-8, 2010-28, 2010-32, 2010-47, 2010-51, 2010-53, 2010-56, 2010-59, 2010-66	23	1085	1	42 T. Bevel Gear	Model 2010-69
10	1064-B	1	Lower Housing	Models 2010-R, 2010-13, 2010-44, 2010-45	23	3075	1	42 T. Bevel Gear	Model 2010-69
10	1064-E	1	Lower Housing	Models 2210-1, 2210-8, 2210-10, 2010-25, 2010-42	23	2435	1	Bevel and Pinion Gear Assembly	Models 2010-39, 2010-40
10	1064-F	1	Lower Housing	Models 2210-9, 2210-11, 2010-41, 2010-67	24	1071	1	20 T. Spur Gear	All models
10	1064-G	1	Lower Housing	Models 2010-23, 2010-30, 2010-39, 2010-40, 2010-43, 2010-50	25	1087	1	Special 12 T. Sprocket	All models
					26	1090	1	Chain	All models
					27	1104	1	Special 12 T. Sprocket	All models
10	1064-M	1	Lower Housing	Models 2010-15, 2010-54, 2010-55, 2010-65					

PARTS LIST

Key No.	Foot Part No.	No. Req'd	Description	Transmission Models Parts Used On	Key No.	Foot Part No.	No. Req'd.	Description	Transmission Models Parts Used On
28	1371	1	No. 4 Woodruff Key	All models except 2210-7, 2010-23, 2010-30, 2010-39, 2010-40, 2010-43, 2010-50	49	2168	1	Shift Lever Assembly	Models 2010-13, 2010-45
					49	2185	1	Shift Lever Assembly	Model 2010-3
					49	2192	1	Shift Lever Assembly	Model 2210-1
					49	2338	1	Shift Lever Assembly	Models 2210-6, 2010-18, 2010-38
28	1588	1	No. 4 Woodruff Key (Special)	Models 2210-7, 2010-23, 2010-30, 2010-39, 2010-40, 2010-43, 2010-50	49	2349	1	Shift Lever Assembly	Models 2210-8, 2010-61
29	1369	2	No. 3 Woodruff Key	All models	49	2359	1	Shift Lever Assembly	Model 2210-9
30	1375	2	No. 61 Woodruff Key	All non-brake models except 2010-32	49	2360	1	Shift Lever Assembly	Models 2210-11, 2010-41, 2010-54, 2010-62
30	1375	3	No. 61 Woodruff Key	All brake models and 2010-32	49	2416	1	Shift Lever Assembly	Model 2010-28
					49	2424	1	Shift Lever Assembly	Model 2010-30
					49	2479	1	Shift Lever Assembly	Model 2010-32
31	1473	1	Output Shaft (For All Brake Models)	All models except 2210-11, 2010-3, 2010-8, 2010-13, 2010-15, 2010-28, 2010-41, 2010-44, 2010-49, 2010-51, 2010-54, 2010-55	49	2533	1	Shift Lever Assembly	Model 2010-49
					49	2535	1	Shift Lever Assembly	Models 2210-12, 2010-44, 2010-51
					49	2537	1	Shift Lever Assembly	Models 2010-43, 2010-50
					49	2577	1	Shift Lever Assembly	Model 2010-52
31	1607	1	Output Shaft (For All Brake Models)	Models 2210-11, 2010-41	49	2643	1	Shift Lever Assembly	Model 2010-56
					49	2678	1	Shift Lever Assembly	Models 2010-57, 2010-60
32	2849	1	Drive Shaft	All models	49	2683	1	Shift Lever Assembly	Models 2010-R, 2010-59
33	3068	2	Special Hi-Pro Key	All models	49	2702	1	Shift Lever Assembly	Model 2010-67
34	1074	1	Lock-Out Plate	All models	49	2723	1	Shift Lever Assembly	Model 2010-69
35	1073	4	Shoulder Screw	All models	49	2796	1	Shift Lever Assembly	Model 2010-66
36	1657	1	Shifter Fork (R.H.)	All models except 2010-69	50	1318	1	Shift Knob	All models except 2010-36, 2010-37, 2010-38, 2010-40, 2010-41, 2010-42, 2010-45, 2010-48, 2010-52, 2010-53, 2010-54, 2010-55, 2010-57, 2010-58, 2010-60, 2010-61, 2010-62, 2010-65
36	3418	1	Shifter Fork (R.H.)	Model 2010-69					All brake models except 2010-34, 2010-70
37	1070	1	Shifter Fork (L.H.)	All models except 2010-69					Models 2210-1, 2010-52, 2010-57
37	3417	1	Shifter Fork (L.H.)	Model 2010-69					Model 2210-12
38	1606	1	Set Screw (No. 8-32)	All adjustable brake models					Models 2210-4, 2010-16, 2010-17, 2010-19, 2010-21, 2010-22, 2010-26, 2010-31, 2010-33, 2010-35, 2010-36, 2010-37, 2010-48, 2010-58, 2010-68
39	1065-F	1	Upper Housing	Models 2010-18, 2010-25, 2010-32, 2010-38, 2010-42, 2010-49, 2010-52, 2010-54, 2010-56, 2010-57, 2010-60, 2010-62, 2010-67, 2010-69	51	1477	1	Shoulder Bolt	Model 2210-12
					52	1546	2	Washer (.006)	Models 2210-4, 2010-16, 2010-17, 2010-19, 2010-21, 2010-22, 2010-26, 2010-31, 2010-33, 2010-35, 2010-36, 2010-37, 2010-48, 2010-58, 2010-68
					53	2243	1	Actuating Lever Assembly	Models 2210-6, 2010-18, 2010-38, 2010-62
39	1065-J	1	Upper Housing	Models 2210-8, 2210-12, 2010-R, 2010-41, 2010-43, 2010-44, 2010-45, 2010-50, 2010-51, 2010-59, 2010-61, 2010-66, (2010-28 after 7/72)	53	2246	1	Actuating Lever Assembly	Models 2010-30, 2010-43, 2010-50, 2010-50
					53	2315	1	Actuating Lever Assembly	Models 2210-8, 2210-9, 2010-61
39	2630	1	Upper Housing Assembly	Models 2210-1, 2210-6, 2210-9, 2210-10, 2210-11, 2010-3, 2010-8, 2010-13, 2010-28, 2010-30 (produced prior to 7/72)	53	2339	1	Actuating Lever Assembly	Models 2210-11, 2010-41
40	1360	8	Hx. Hd. Bolt (1/4-20 x 1-5/16)	All models	53	2343	1	Actuating Lever Assembly	Models 2210-10, 2010-25, 2010-25
41	1037	2	Detent Ball	All models	53	2350	1	Actuating Lever Assembly	Models 2210-8, 2210-9, 2010-61
42	1475	2	Detent Spring	All models	53	2357	1	Actuating Lever Assembly	Models 2210-11, 2010-41
43	1091	1	Nylon Insert	All models	53	2361	1	Actuating Lever Assembly	Models 2210-10, 2010-25, 2010-42
44	1088	1	Nylon Cover	All non-switch models produced prior to 7/72	53	2375	1	Actuating Lever Assembly	Models 2010-23, 2010-39
44	1670	1	Nylon Cover	All models with sensor switch	53	2515	1	Actuating Lever Assembly	Model 2010-40
44	1670	1	Nylon Cover	All models produced after 7/72	53	2622	1	Actuating Lever Assembly	Models 2210-5, 2010-20, 2010-24, 2010-29, 2010-34
45	1357	4	Screw (No. 10-24 x 1/2)	All models	53	2689	1	Actuating Lever Assembly	Model 2010-60
46	1096	1	Wave Washer	All models	53	2693	1	Actuating Lever Assembly	Model 2010-64
47	1307	1	Chain Guard (R.H.)	Models 2210-10, 2010-8, 2010-25, 2010-42	53	2699	1	Actuating Lever Assembly	Model 2010-67
48	1601	1	Brake Guard	Models 2210-10, 2010-25, 2010-42	53	2757	1	Actuating Lever Assembly	Model 2010-70
49	2122	1	Shift Lever Assembly	Models 2210-10, 2010-8, 2010-25, 2010-42	54	2480	1	Brake Kit Assembly	All brake models
					55	1479	1	Compression Spring	All brake models
					56	1100	1	Retaining Ring	All models
					57	1105	1	16 T. Bevel Pinion	All models
					58	3395	1	Retaining Ring, Spirolox ®	All models
					59	1926	1	O-Ring	All models