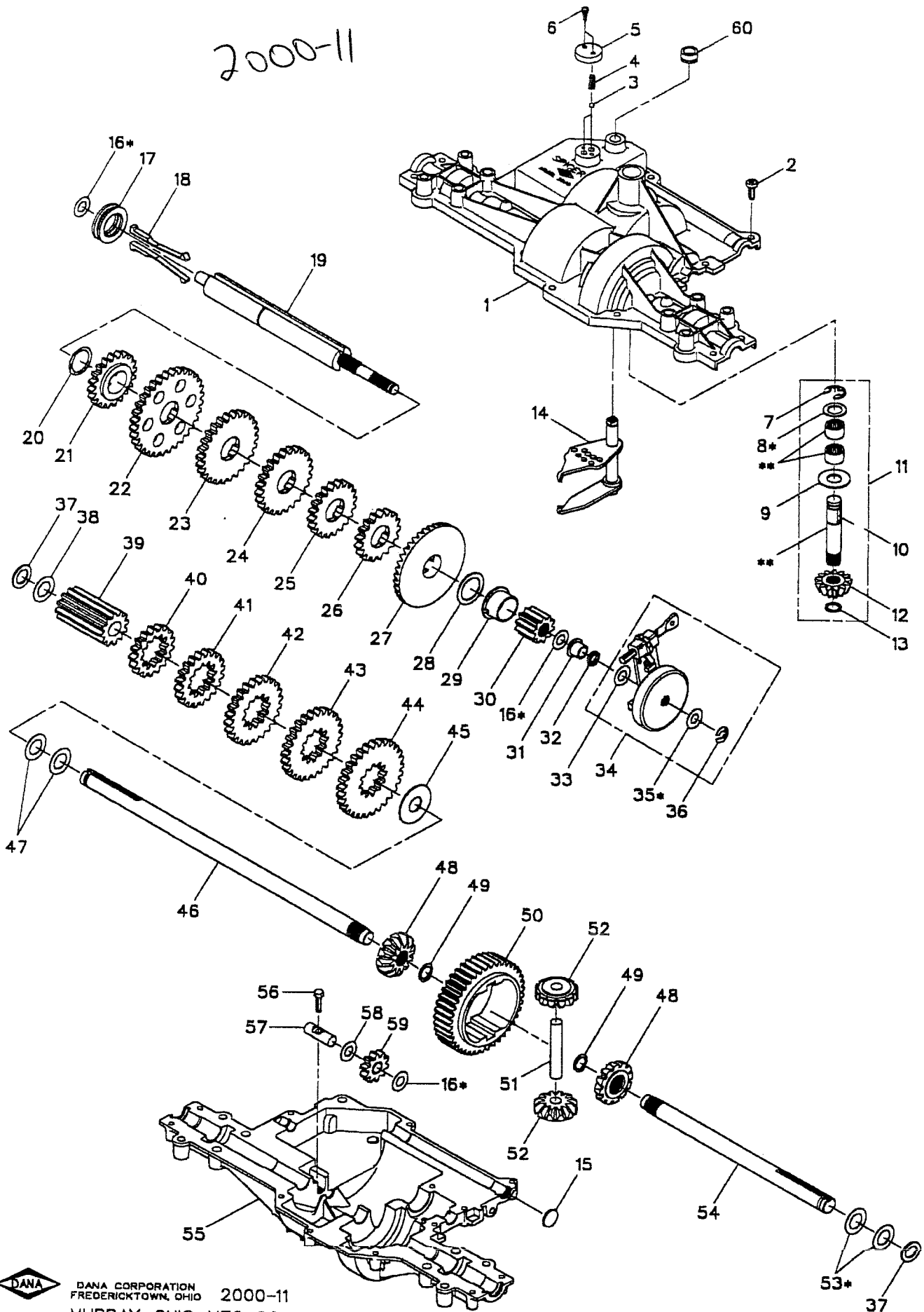


2000-11



DANA CORPORATION
FREDERICKTOWN, OHIO 2000-11
MURRAY OHIO MFG CO.

SPICER OUTDOOR POWER EQUIPMENT COMPONENTS DIVISIONDANA CORPORATIONFREDERICKTOWN, OH 43019SERVICE PARTS REPLACEMENT LISTINGMODEL NO.: 2000-11DATE ISSUED: 10/25/97DESCRIPTION: Six Speed Linear Shift TransaxleCUSTOMER NAME & PART NO.: Murray Ohio Manufacturing Co. #

Key No.	Dana Part No.	Murray Part No.	No. Req'd.	Description
1	5151-B		1	Housing, Upper
2	1919	407185	13	Screw, Tapping, 1/4-20 X .734
3	5112		2	Ball, Detent
4	5185		2	Spring, Detent
5	5184		1	Cover, Detent
6	3035	407268	2	Screw, Tapping, No. 8-32 X .50
7	4816		1	Assy, Kit, Ring, Retaining
8	4689		1*	Assy, Kit, Shim, .625 Shaft
9	3876		1	Washer, Plain, .632 X 1.38 X .046
10	1746		1	Key, Woodruff, No. 9
11	4687		1	Assy, Kit, Input Shaft
12	3936		1	Gear, Bevel, 13T
13	3956		1	Ring, Retaining
14	4719		1	Assy, Shifter
15	5196		1	Seal
16	4690		3*	Assy, Kit, Shim, .500 Shaft
17	5303		1	Collar, Clutch
18	4688		1	Assy, Kit, Clutch Keys
19	5165		1	Shaft, Drive
20	3627		1	Ring, Retaining
21	5155		1	Gear, Spur, 20T
22	5154		1	Gear, Spur, 32T
23	5153		1	Gear, Spur, 26T
24	5152		1	Gear, Spur, 24T
25	5149		1	Gear, Spur, 20T
26	5148		1	Gear, Spur, 17T
27	5156		1	Gear, Bevel, 39T & Spur, 15T
28	5201		1	Washer, Plain, 1.135 X 1.56 X .062
29	5183		1	Bearing, Flange
30	5180		1	Gear, Spur, 10T
31	5182		1	Bearing, Flange
32	5258		1	Seal
33	3887		1	Washer, Plain, .505 X .942 X .015
34	4729		1	Assy, Kit, Cone Brake
35	4692		1*	Assy, Kit, Shim, .464 Shaft
36	5251		1	Ring, Retaining

Model No. 2000-11

2

Key No.	Dana Part No.	Murray Part No.	No. Req'd.	Description
37	5130		2	Washer, Neoprene
38	3180		1	Washer, Plain, .758 X 1.25 X .062
39	5160		1	Gear, Spur, 12T
40	3931		1	Gear, Spur, 17T
41	3983		1	Gear, Spur, 20T
42	5163		1	Gear, Spur, 24T
43	5162		1	Gear, Spur, 26T
44	5161		1	Gear, Spur, 29T
45	3955		1	Washer, Plain, .758 X 1.88 X .062
46	5536-1		1	Axle, LH
47	3184		2	Washer, Plain, .758 X 1.25 X .031
48	5622		2	Gear, Miter, 12T, Splined
49	5270		2	Ring, Retaining
50	5181		1	Gear, Spur, 41T
51	3919		1	Shaft, Cross
52	5623		2	Gear, Miter, 12T, Idler
53	4691		1*	Assy, Kit, Shim, .750 Shaft
54	5536-2		1	Axle, RH
55	5150-A		1	Housing, Lower
56	3396		1	Screw, Tapping, 1/4-20 X .875
57	3987		1	Shaft, Idler
58	3888		1	Washer, Plain, .505 X .942 X .020
59	5293		1	Gear, Spur, 10T
60	3789		1	V-Ring
61	4300		1	Grease

* Use in various combinations to maintain proper clearances.

** Order Key No. 11.