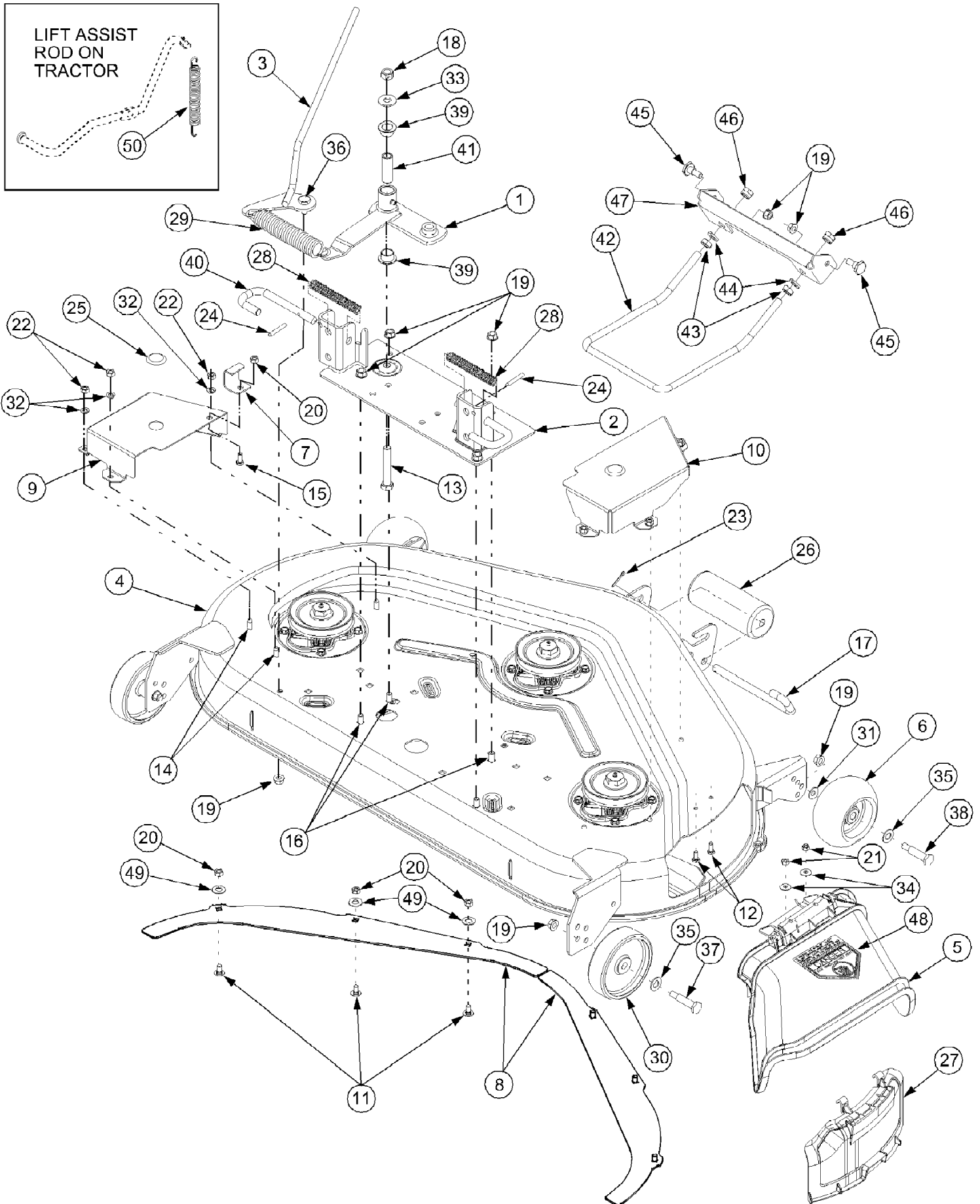


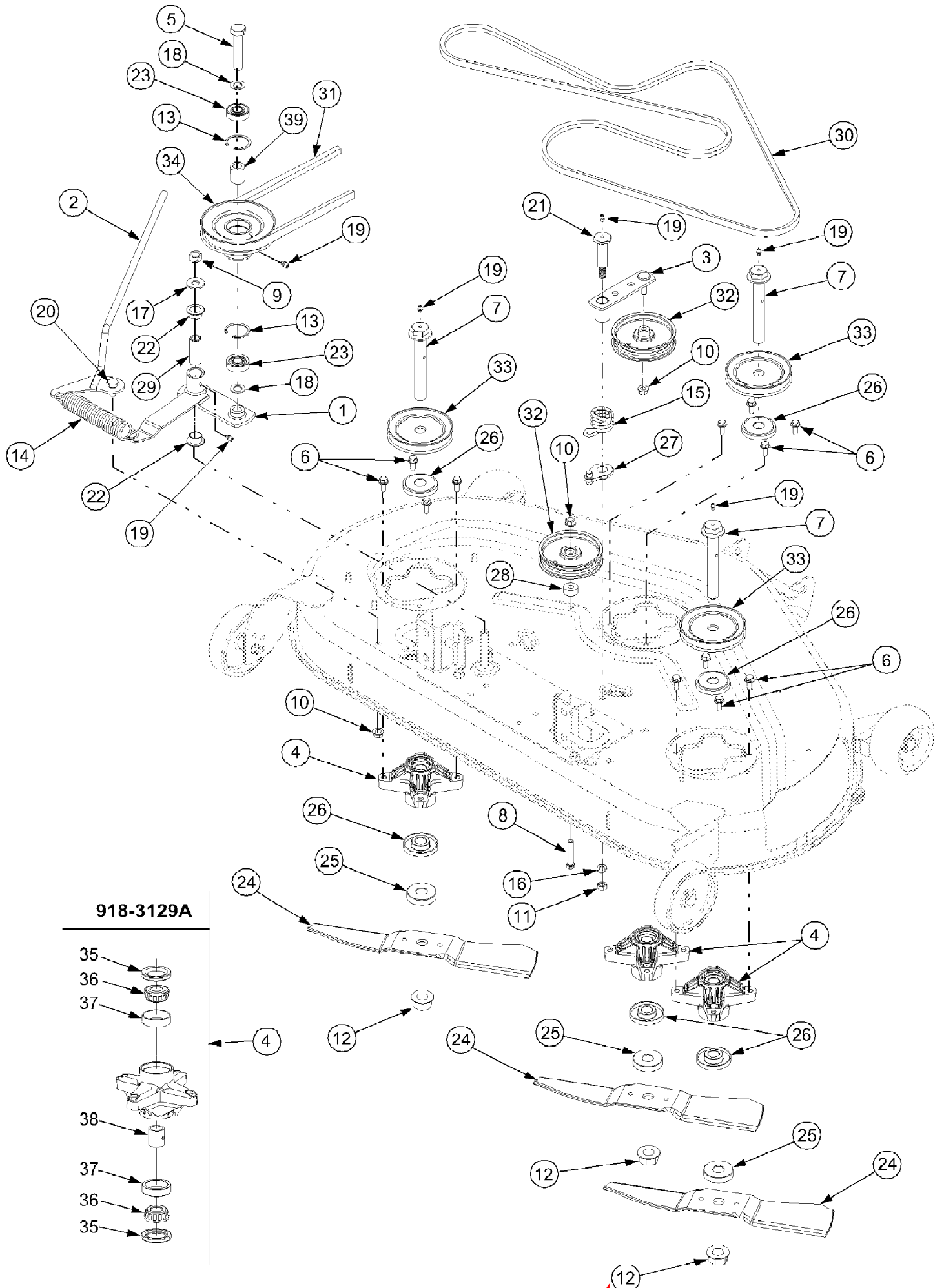
2518-44 Tractor
44" Deck Assembly



2518-44 Tractor
44" Deck Assembly

Page 2 of 89

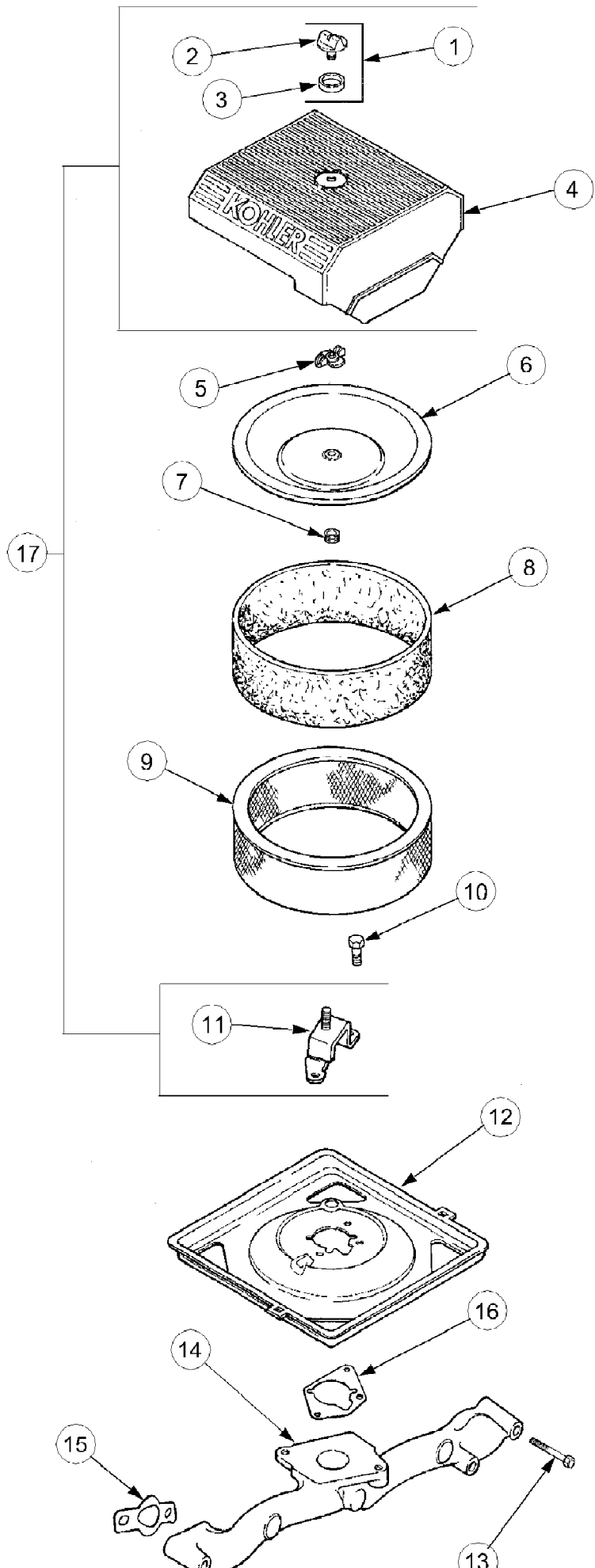
Ref #	Part Number	Qty	S/P/F	Description
1	603-0857-0716	1		Idler Assembly
2	603-0183A-0716	1	/P	Plate Assy, Mounting
3	603-0203-0716	2	S	Handle, Tension
4	603-0729-0716	1	S	Deck Housing Assembly
	777S30014	1	/P	Graphic, Warning
	777S30018	1	/P	Graphic, Deck Safety
	777S30503	1	/P	Graphic, Deck Safety
5	631-0094A	1	/P	Chute Assembly, Discharge
6	703-1890	2	S	Wheel, Deck, w/Fitting
7	703-2559-0716	1	/P	Bracket, Stop
8	703-3359-0716	2		Baffle, Skirt
9	703-3742-0716	1		Belt Cover, LH
10	703-3743-0716	1	/P	Belt Cover, RH
11	710-0260A	6	/P	Bolt, Carriage, 5/16-18 x .62
12	710-0751	2	/P	Screw, Hex Cap, 1/4-20 x .62
13	710-1010	1	/P	Screw, Hex Cap, 1/2-20 x 3.0
14	710-1611B	6	/P	Screw, Self Tap, 5/16-18 x .75
15	710-3008	1	/P	Screw, Hex Cap, 5/16-18 x .75
16	710-3178	4	/P	Bolt, Carriage, 3/8-16 x .75 GR5
17	711-3314	1	S	Pin, Roller, 1/2 Dia x 7.31
18	712-0239	1	S	Nut, Hex Lock, 1/2-20
19	712-0431	11	S	Nut, Flange Lock, 3/8-16
20	712-3004A	7	/P	Nut, Flange Lock, 5/16-18
21	712-3006	2	/P	Nut, Hex, 1/4-20 GR5
22	712-3010	6	S	Nut, Hex, 5/16-18, GR5
23	714-0115	1	S	Pin, Cotter, 1/8 Dia x 1
24	715-3003	2	/P	Pin, Spiral Spring, 3/16 Dia x .75
25	726-3045	2	/P	Button Plug
26	731-3005	1	/P	Front Roller
27	731-3316	1		Plug, Mulch
28	732-3127	2	S	Spring, Comp, .66 OD x 1.8
29	732-0861	1		Spring, Ext, .162 Dia x 1.25 OD
30	734-0973	2	/P	Wheel, Deck, 5.0 x 1.38
31	736-0105	2	/P	Washer, Bell, .401 x .870 x .063
32	736-0119	6	S	Washer, Lock, 5/16
33	736-0179	1	S	Washer, Flat, 1/2 x 1.25 x .10
34	736-0270	2	/P	Washer, Bell, .265 x .75 x .062
35	736-0272	4	S	Washer, Flat, .510 x 1 x .060
36	738-0143	1	/P	Bolt, Shoulder, .498 Dia x .340
37	738-0533	2	S	Screw, Shoulder, .498 x 1.635
38	738-3056	2	S	Bolt, Shoulder
39	741-0338	2	/P	Bearing, Flange, 3/4 ID x .52 LG
40	747-3188	2		Pin, Mower Support
41	750-3136	1	S	Spacer, .5 OD x .75 x 2.07 Lg
42	747-3172B	1	S	Rod, Front Lift
43	712-3048	2	S	Nut, Hex Jam, 1/2-13 GR5
44	736-0921	2	S	Washer, Lock, 1/2
45	738-0507B	2	S	Bolt, Shoulder, .50 Dia. x .494 Lg
46	712-3083	2	/P	Nut, Hex Insert Lock, 1/2-13
47	603-0200-0716	1	S	Bracket, Front Lift
48	777S30145	1	S	Graphic, Danger
49	736-0226	6	S	Washer, Flat, .474 x .88 x .064
50	732-3126	1	S	Spring, Ext, .91" OD x 7.33



2518-44 Tractor
44" Deck Drive & Spindle Assembly

Page 4 of 89

Ref #	Part Number	Qty	S/P/F	Description
1	603-0857-0716	1		Idler Assembly
2	603-0203-0716	2	S	Handle, Tension
3	703-0118-0716	1		Idler Arm Assembly
4	918-3129A	3	S	Spindle Assembly Includes Ref. Nos. 35, 36, 37 and 38
5	710-0923	1	/P	Screw, Hex Cap, 5/8-18 x 3.0
6	710-1260A	12	/P	Screw, Hex Wash Ld, 5/16-18 x .75
7	710-1852	3		Bolt, Spindle, 3/4-16 x 5.37
8	710-3144	1	/P	Screw, Hex Cap, 3/8-16 x 2.0 GR5
9	712-0239	1	S	Nut, Hex Lock, 1/2-20
10	712-0431	3	S	Nut, Flange Lock, 3/8-16
11	712-3019	1	S	Nut, Hex, 7/16-14, GR2
12	712-3078	3	/P	Nut, Hex Flange, 3/4-16
13	716-3020	2	S	Snap Ring, Internal
14	732-0861	1		Spring, Ext, .162 Dia x 1.25 OD
15	732-3067	1		Torsion Spring, Idler, 1.10 ID x 1.3
16	736-0171	1	S	Washer, Lock, 7/16
17	736-0179	1	S	Washer, Flat, 1/2 x 1.25 x .10
18	736-0237	2	/P	Washer, Flat, .65 x 1.25 x .075
19	737-3000	6	S	Fitting, Lube, 3/16 Drive
20	738-0143	1	/P	Bolt, Shoulder, .498 Dia x .340
21	738-3172	1		Screw, Shldr, .68 x 2.11, 7/16-14
22	741-0338	2	/P	Bearing, Flange, 3/4 ID x .52 LG
23	741-1122	2		Bearing, Ball
24	759-3939	3	/P	Blade, Mower, 15.94
25	948-3020	3	/P	Spacer, Blade
26	748-3065	6	S	Spacer, Deck Spindle
27	748-3100	1		Retainer, Spring
28	750-3119	1	/P	Spacer, .406 ID x 1.00 OD x .38
29	750-3136	1	S	Spacer, .5 OD x .75 x 2.07 Lg
30	754-3039	1	S	V-Belt, 1/2 x 103.0 Lg
31	754-3068	1	S	V-Belt, B sect x 110.6 Lg
32	756-3005	2	/P	Pulley, Flat w/Flanges
33	756-3089	3		Pulley, V-Type, 4.0 Dia
34	756-3115	1	/P	Pulley, Double Lube Fitting NOT included.
35	721-3018A	6	S	Seal, Oil, 1.25 x 1.874 x .25
36	741-3028	6	S	Bearing, Cone
37	741-3029	6	/P	Cup, Bearing
38	750-3190A	3	/P	Spacer, Bring, .780 x .963 x .777
39	750-3132	1	S	Spacer, .88 x .635 x 1.25

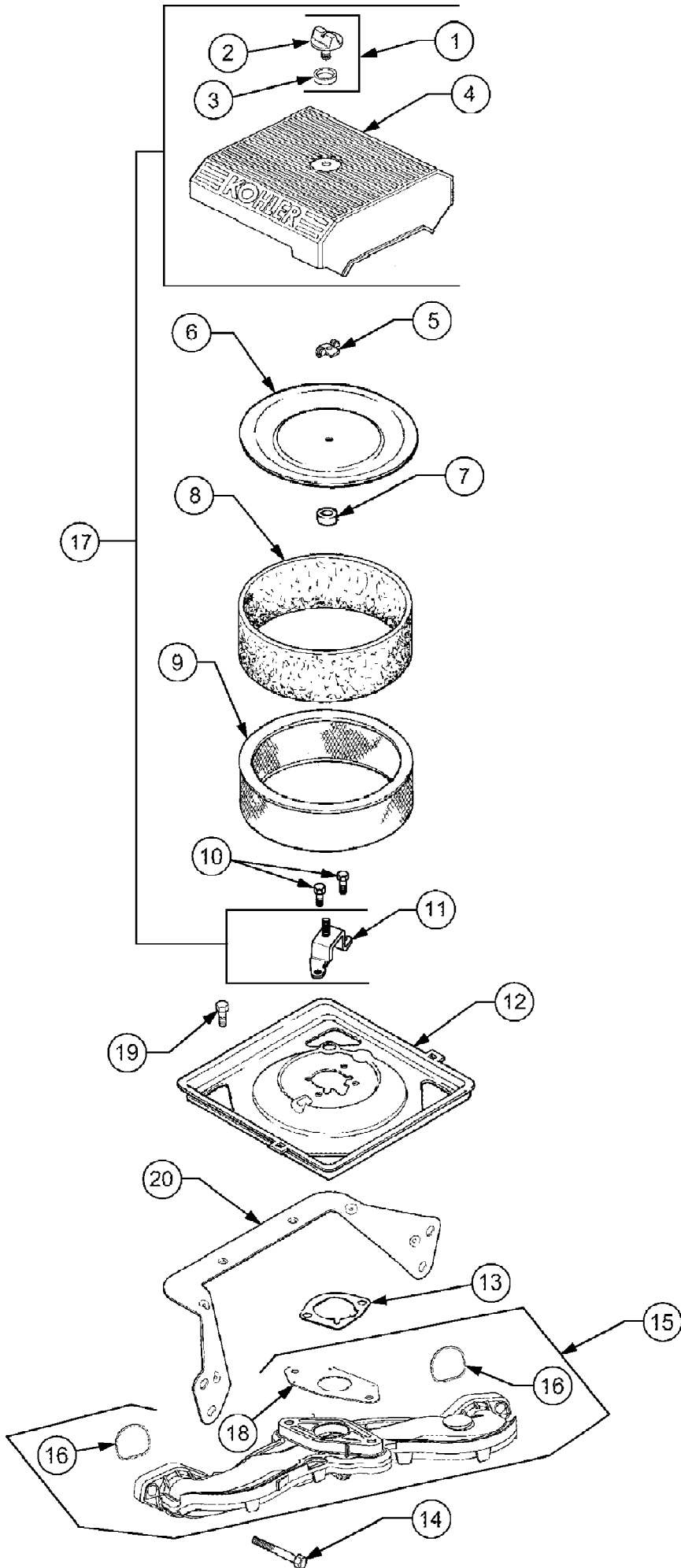


2518-44 Tractor
Air Intake And Filtration Aluminum

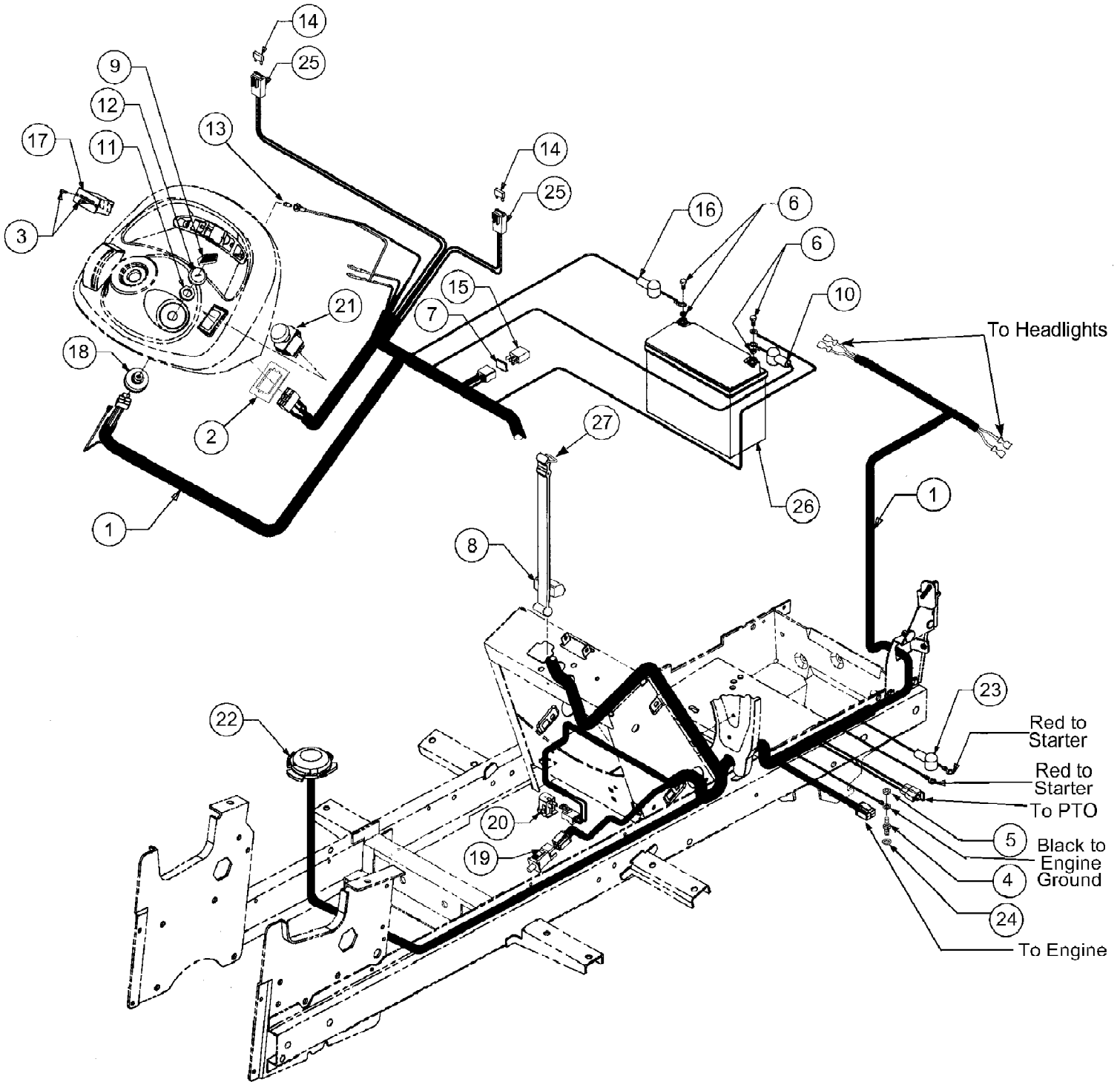
Page 6 of 89

Ref #	Part Number	Qty	S/P/F	Description
1	KH-54-755-01	1	S	Kit, Knob w/Seal (Incl. Ref #2, 3)
2	KH-25-341-03	1	/P	Knob, Cover
3	KH-24-153-20-S	1		Seal, Air Cleaner Cover Knob
4	KH-24-096-31	1	S	Cover, Air Cleaner
5	KH-12-100-01	1	/P	Wing Nut
6	KH-24-096-01	1	/P	Cover, Inner Air Cleaner
7	KH-24-032-03	1	/P	Seal, Inner Air Cleaner
8	KH-24-083-02	1	S	Precleaner, Element
9	KH-47-083-03	1	S	Element, Air Cleaner
10	KH-M-0639016	3	S	Screw, Hex Flange, M6 x 1.0 x 16
11	KH-24-126-21	1		Bracket, Air Cleaner Base
12	KH-24-094-03	1	S	Base, Air Cleaner
13	KH-M-0651055	4		Screw, Hex Flange, M6 x 1.0 x 55
14	KH-24-164-29	1		Manifold, Intake
15	KH-24-041-01	2	/P	Gasket, Intake Manifold
16	KH-24-041-06	1	/P	Gasket, Air Cleaner Base
17	KH-24-743-08	1		Kit, Air Cleaner Cover (Incl 1-4, 11)

2518-44 Tractor
Air Intake And Filtration Plastic



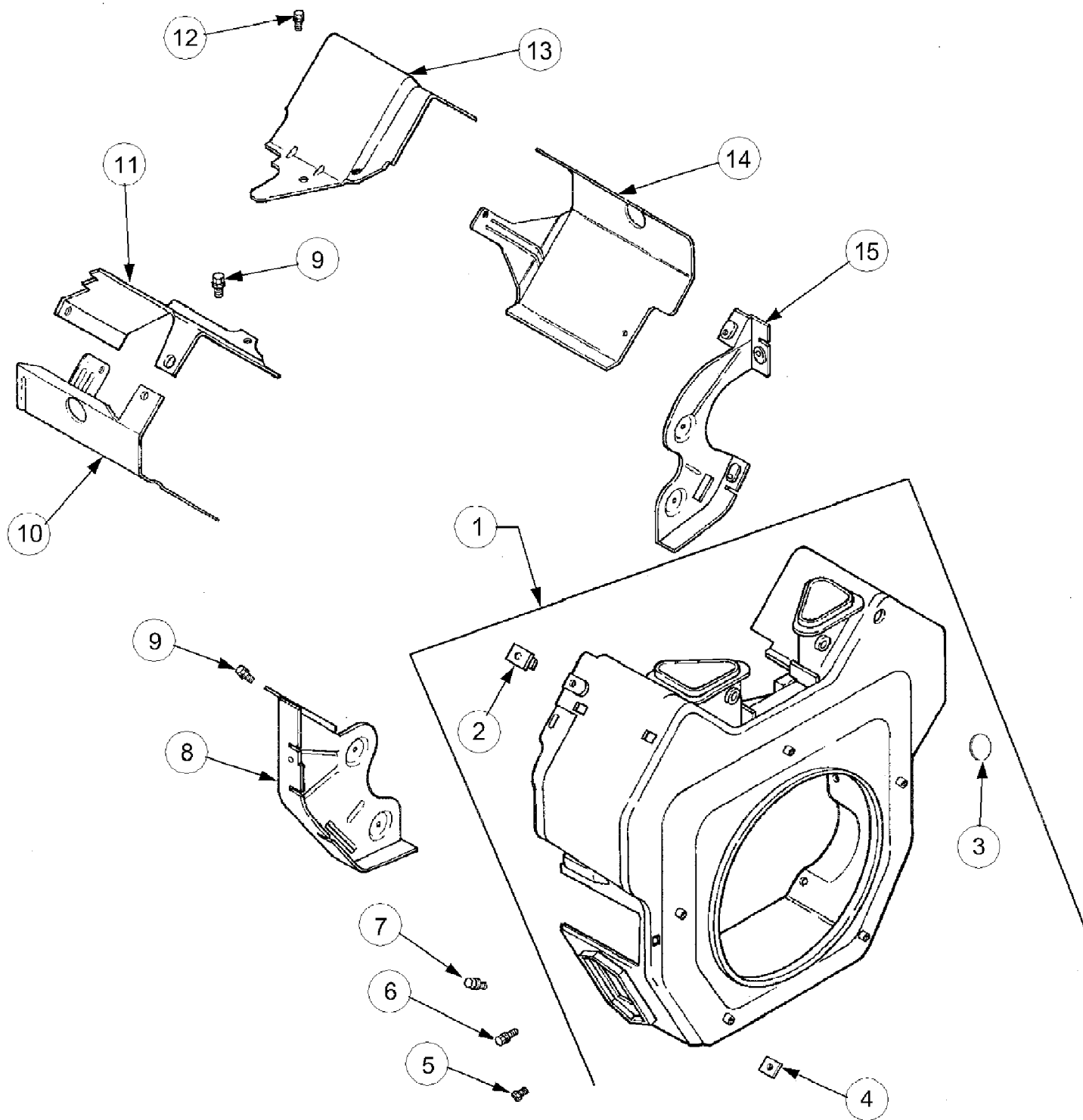
Ref #	Part Number	Qty	S/P/F	Description
1	KH-54-755-01	1	S	Kit, Knob w/Seal (Incl. Ref #2,3)
2	KH-25-341-03	1	/P	Knob, Cover
3	KH-24-153-20-S	1		Seal, Air Cleaner Cover Knob
4	KH-24-096-69-S	1	/P	Cover, Air Cleaner
5	KH-12-100-01	1	/P	Wing Nut
6	KH-24-096-01	1	/P	Cover, Inner Air Cleaner
7	KH-24-032-03	1	/P	Seal, Inner Air Cleaner
8	KH-24-083-02	1	S	Precleaner, Element
9	KH-47-083-03	1	S	Element, Air Cleaner
10	KH-M-0639016	3	S	Screw, Hex Flange, M6 x 1.0 x 16
11	KH-24-126-21	1		Bracket, Air Cleaner Base
12	KH-24-094-24-S	1	S	Base, Air Cleaner
13	KH-24-041-06	1	/P	Gasket, Air Cleaner Base
14	KH-M-0651040-S	4		Screw, Hex Flange, M6 x 1.0 x 40
15	KH-24-164-54-S	1	S	Manifold, Intake (Includes Carb Gasket KH-24-041-53-S and (2) O-Rings KH-24-153-27-S)
16	KH-24-153-27-S	2	/P	O-Ring, Intake Manifold
17	KH-24-743-08	1		Kit, Air Cleaner Cover (Incl 1-4, 11)
18	KH-24-041-53-S	1		Gasket, Carburetor
19	KH-M-0545010	2	/P	Screw, Hex Flng, M5 x 0.8 x 10
20	KH-24-126-130-S	1		Bracket, Air Cleaner Base



2518-44 Tractor
Battery, Electrical Components And Switches

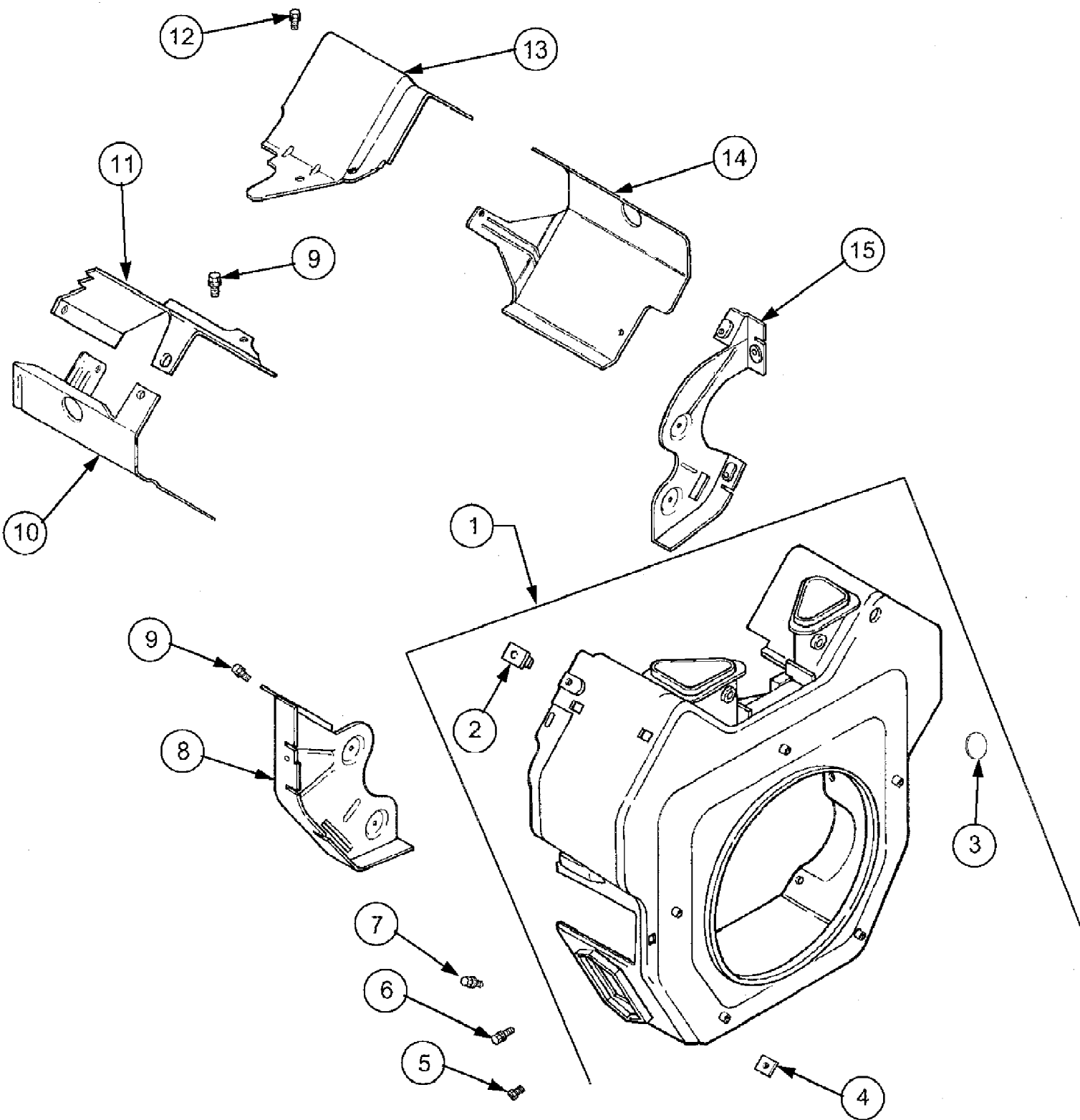
Page 10 of 89

Ref #	Part Number	Qty	S/P/F	Description
1	629-3068	1	S	Wire Harness, Main
	725-0157	4	/P	Tie, Self-Clinch Cable
	726-0154	5	S	Tie, Pushmount
	726-3055	9		Clip, Cable
	726-0161	2		Clip, Wire
2	783-0462	1	/P	Bracket, PTO Switch Retainer
3	710-0936	2		Screw, Truss Hd Tapp, #6 x .62
4	711-1094	1		Stud, Ground
5	712-3010	1	S	Nut, Hex, 5/16-18 GR5
6	710-3015	2	/P	Battery Cable Hardware Screw
	712-0271	2	/P	Battery Cable Hardware Sems Nut
7	721-0342	1	S	Gasket, Silicone
8	723-0445A	1	/P	Strap, Battery Retainer
9	759-3476A	1	S	Key, Ignition (Set of 2)
10	725-0340	1		Cover, Terminal Black
11	725-1346	1	S	Nut, Ignition Switch
12	725-1347	1	/P	Cap, Ignition Switch
13	725-1365	1	S	Bulb, Indicator
14	725-3243	2		Fuse, 25 Amp
15	725-1648	1	S	Relay
16	725-3007A	1	/P	Cover, Terminal Red
17	725-3159	1	S	Hour Meter
18	725-3163	1	S	Switch, Ignition
19	725-3164A	1	S	Switch, Interlock (Brake)
20	725-3166	1	S	Switch, Snap Mount - Normally Closed
21	725-3233	1	S	Switch, PTO
22	725-3234	1	S	Switch, Seat
23	725-3237	1		Cover, Terminal Red
24	736-0607	1	/P	Washer, External Lock, 5/16
25	729-0357	2		Holder, Fuse w/Mounting Clip
26	725-1707C	1	S	Battery
27	732-0696	1		Hook, Wire Rectangular



2518-44 Tractor
Blower Housing And Baffles (KH-62588)

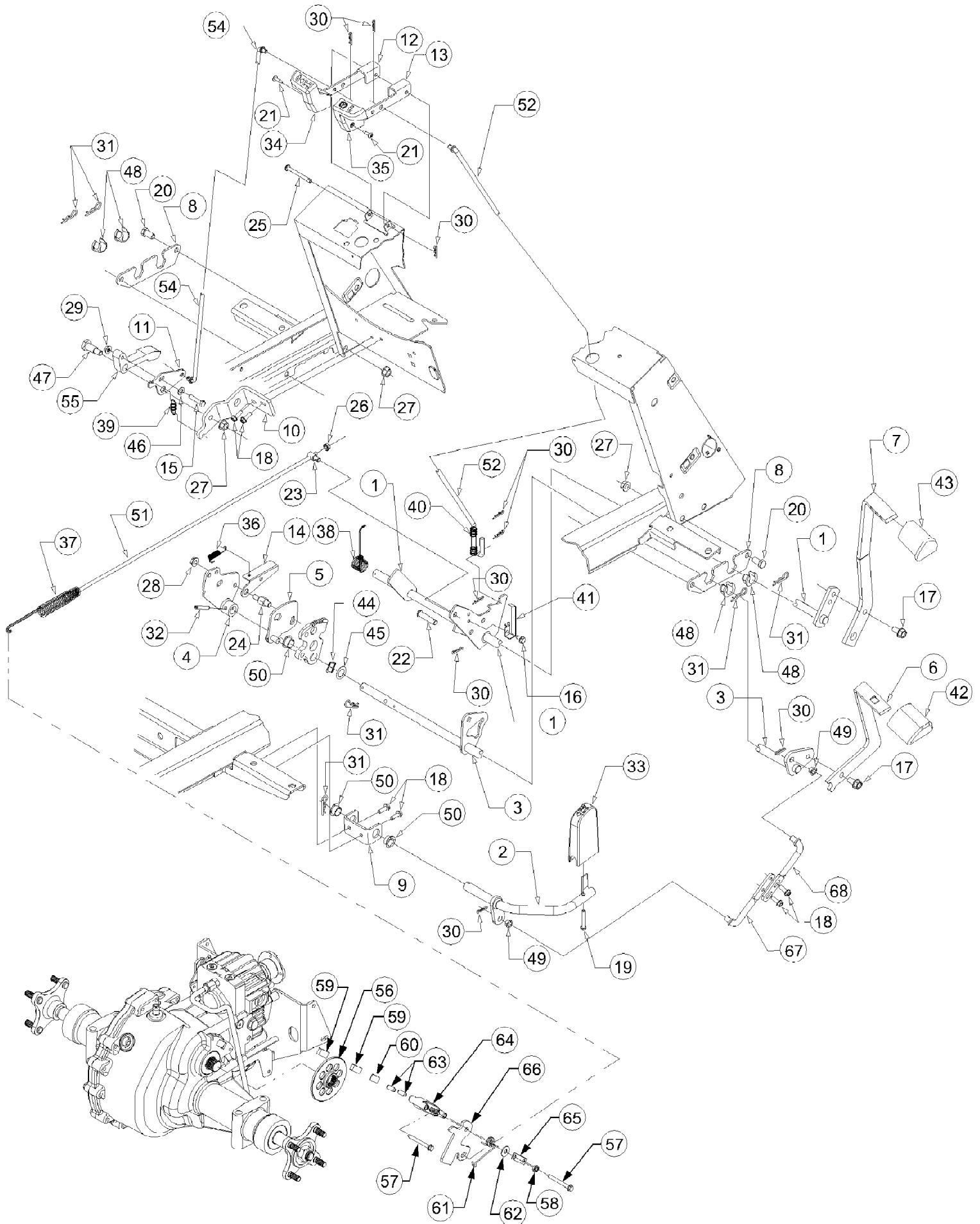
Ref #	Part Number	Qty	S/P/F	Description
1	KH-24-027-20	1	S	Housing, Blower (Incl. Ref #2-4)
2	KH-24-100-02	2		Nut, Plastic
3	KH-25-139-16	1		Plug, Button, 9/16
4	KH-24-100-01	3		Nut, Plastic
5	KH-M-0551016	1		Screw, Hex Flange, M5 x 0.8 x 16
6	KH-M-0545016	5	S	Screw, Hex Flange, M5 x 0.8 x 16
7	KH-M-0545020	2	/P	Screw, Hex Flange, M5 x 0.8 x 20
8	KH-24-146-02	1	S	Plate, Backing - #2 Side
9	KH-M-0645016	6	S	Screw, Hex Flange, M6 x 1.0 x 16
10	KH-24-063-20	1	/P	Baffle, Cylinder Barrel - #2 Side
11	KH-24-063-17	1	/P	Baffle, Valley - #2 Side
12	KH-M-0545010	2	/P	Screw, Hex Flange, M5 x 0.8 x 10
13	KH-24-063-24	1	S	Baffle, Valley - #1 Side
14	KH-24-063-08	1	S	Baffle, Cylinder Barrel - #1 Side
15	KH-24-146-20-S	1	/P	Plate, Backing - #1 Side
	KH-62588	1	/P	Complete Engine



2518-44 Tractor
Blower Housing And Baffles (KH-64638)

Page 14 of 89

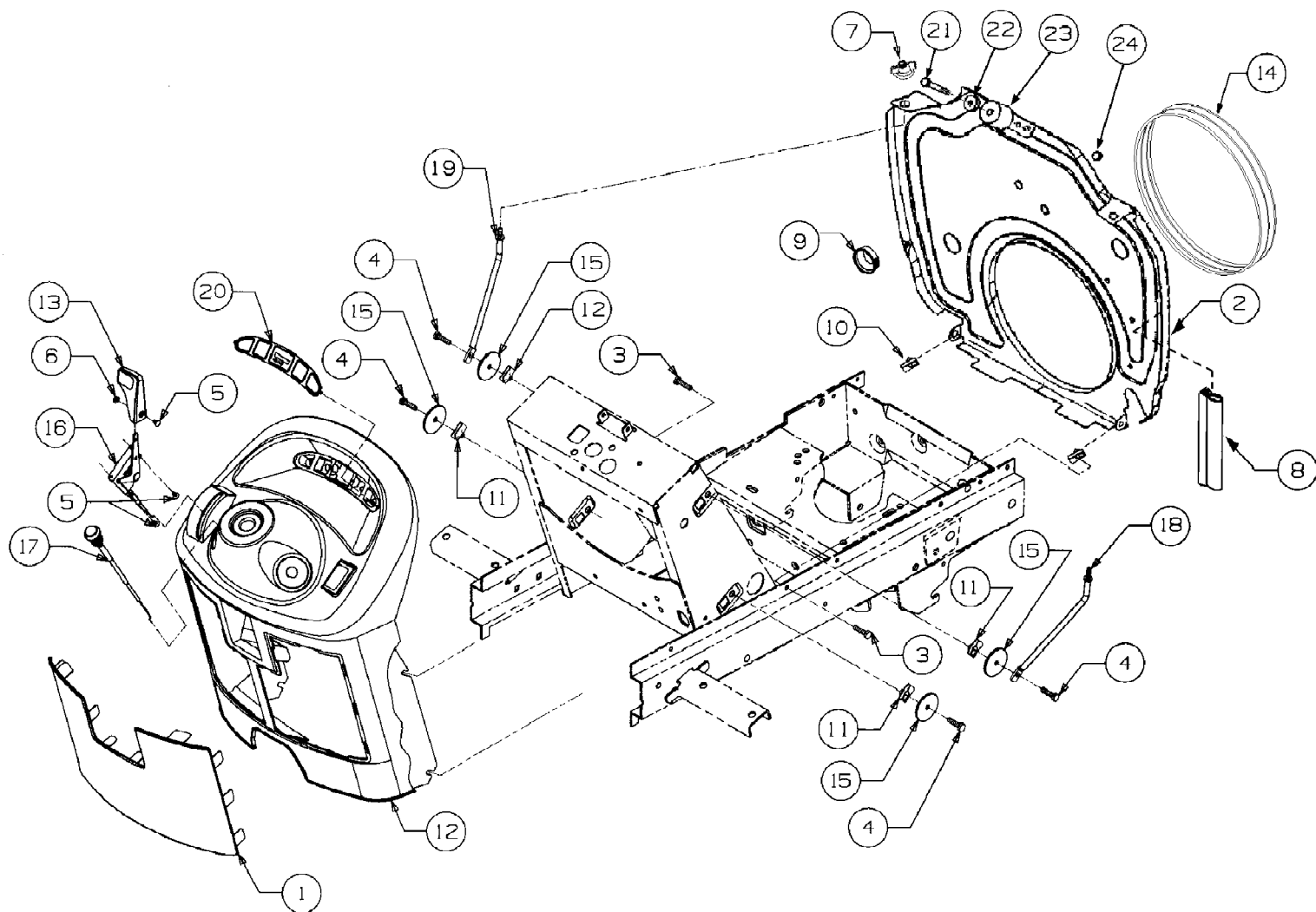
Ref #	Part Number	Qty	S/P/F	Description
1	KH-24-027-175-S	1	/P	Housing, Blower (Incl. Ref #2-4)
2	KH-24-100-02	2		Nut, Plastic
3	KH-25-139-16	1		Plug, Button, 9/16
4	KH-24-100-01	3		Nut, Plastic
5	KH-M-0551016	1		Screw, Hex Flange, M5 x 0.8 x 16
6	KH-M-545016-S	5	/P	Screw, Hex Flange, M5 x 0.8 x 16
7	KH-M-0545020	2	/P	Screw, Hex Flange, M5 x 0.8 x 20
8	KH-24-146-16-S	1	/P	Plate, Backing - #2 Side
9	KH-M-0645016	6	S	Screw, Hex Flange, M6 x 1.0 x 16
10	KH-24-063-20	1	/P	Baffle, Cylinder Barrel - #2 Side
11	KH-24-063-17	1	/P	Baffle, Valley - #2 Side
12	KH-M-0545010	2	/P	Screw, Hex Flange, M5 x 0.8 x 10
13	KH-24-063-59-S	1		Baffle, Valley - #1 Side
14	KH-24-063-58-S	1	S	Baffle, Cylinder Barrel - #1 Side
15	KH-24-146-20-S	1	/P	Plate, Backing - #1 Side
	KH-64638	1	S	Complete Engine



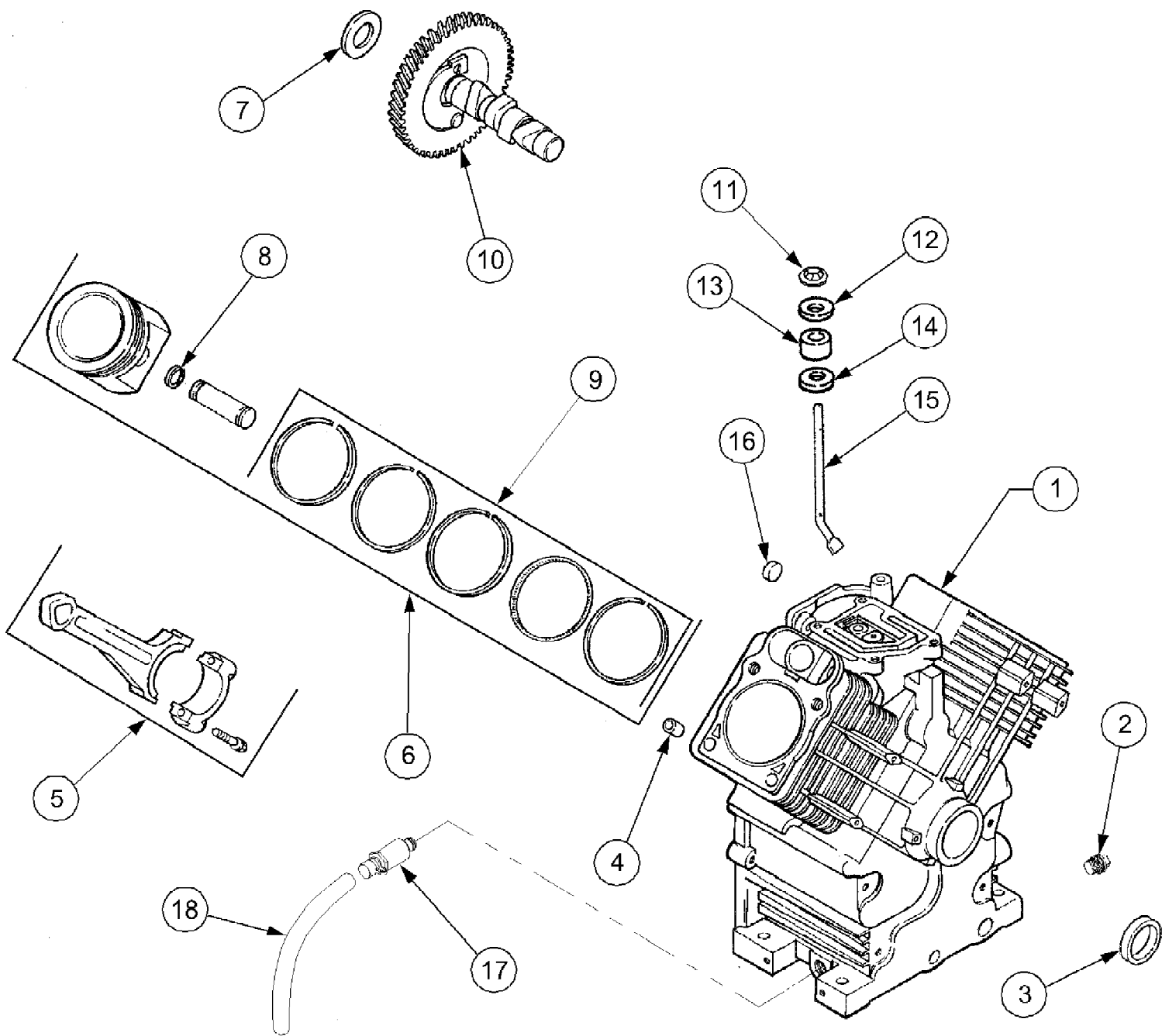
2518-44 Tractor
Brake And Control Pedals

Ref #	Part Number	Qty	S/P/F	Description
1	603-0321A	1		Shaft Assy, Brake
2	603-0412	1		Pedal Assy, Reverse
3	603-0697	1		Shaft Assy, Forward/Reverse
4	603-0419	1		Cam Assy, Control
5	603-0421A	1	/P	Plate Assy, Disengagement
6	703-2570A-0716	1	/P	Pedal, Forward
7	703-2573A-0716	1	/P	Pedal, Brake
8	703-2804	2		Plate, Bearing Mounting
9	703-2938	1		Bracket, Reverse Pivot
10	703-2941	1		Bracket, Cruise
11	703-2942	1		Plate, Rod Adjustment
12	703-2962	1		Lever, Cruise
13	703-2963	1	S	Lever, Brake Lock
14	703-2965	1	S	Actuator, Reverse Switch
15	710-0106	1	/P	Screw, Hex Cap, 1/4-20 x 1.25
16	710-0599	1	/P	Screw, Hex Wash Hd Tapp 1/4-20 x .5
17	710-0623	2	/P	Screw, Hex Wash Hd Tapp 3/8-16 x .75
18	710-0642	6	/P	Screw, Hex Wash Hd Tapp 1/4-20 x .75
19	710-0796	1	/P	Screw, Truss Mach, #12 x 1.5
20	710-0216	2	/P	Screw, Hex Cap, 3/8-16 x .75 GR5
21	710-3009	2	/P	Screw, Phil Hd Pan, #10-24 x .75
22	711-0415	1	S	Pin, Clevis, 3/8 x 1.62
23	711-0736	1	/P	Ferrule, Adjustment, 1/4-20 Thrd
24	711-1138	1		Stud, Actuator
25	711-3295	1	S	Pin, Clevis, .25 x 2.38
26	712-0271	1	/P	Nut, Hex Sems, 1/4-20
27	712-0431	3	S	Nut, Hex Flange Lock, 3/8-16
28	712-3004A	1	/P	Nut, Hex Flange Lock, 5/16-18
29	712-3027	1	S	Nut, Hex Flange Lock, 1/4-20
30	714-0104	9	S	Pin, Internal Cotter, 5/16 Dia x 1.12
31	714-0145	6	S	Pin, Internal Cotter, 3/8 Dia x 1.62
32	715-0114	1	S	Pin, Spiral Spring, 1/4 x 1.5
33	731-3205	1	S	Pedal, Reverse
34	731-3206	1		Knob, Cruise
35	731-3207	1		Knob, Brake Lock
36	732-0418	1		Spring, Extension, .38 OD x 2.1
37	732-0463	1	S	Spring, Extension
38	732-0756A	1	S	Spring, Torsion
39	732-04006	1	S	Spring, Extension, .6 OD x 1.34 Replaces 732-0824
40	732-3099	1		Spring, Compression, .50 x 2.23
41	732-3117	1		Spring, Switch Actuator
42	735-3048	1		Pad, Forward Foot Control
43	735-3049	1	S	Pad, Brake Foot
44	736-0174	1	/P	Washer, Wave, .625 x .885 x .015
45	736-0349	1	S	Washer, Flat, .635 x 1.0 x .020
46	736-0463	1	S	Washer, Flat, 1/4 x .63 x .051
47	738-0145	1	S	Shoulder Bolt, .50 OD x .840
48	741-3065B	4	/P	Bearing, Hex Flange Split
49	741-3073	2	S	Bearing, Flange, .375 x .58 x .25
50	741-3074	3		Bearing, Flange, .626 x .93 x .344
51	747-3392	1		Rod, Brake

Ref #	Part Number	Qty	S/P/F	Description
52	747-3219	1		Rod, Parking Brake
54	747-3307	1		Rod, Cruise
55	748-3060	1		Latch, Cruise
56	761-0215	1		Disc, Brake
57	710-1206	2	/P	Screw, Hex Wash Hd, Tapp, 1/4-20 x 2.375
58	712-0273	1	S	Nut, Hex Nylon Lock, 5/16-24
59	717-0678	2	S	Pad, Brake
60	717-0682	1	S	Plate, Puck
61	732-0925	1		Spring, Torsion
62	736-0371	1	/P	Washer, Flat, .343 x .88 x .062
63	741-0343	2	S	Pin, Brake Actuating
64	761-0207A	1	/P	Yoke, Brake
65	761-0208	1		Bracket, Brake Anti Rotation
66	761-3074	1		Arm, Brake Actuator
67	747-3341A	1	/P	Rod, Rear Connecting
68	747-3383	1	/P	Rod, Front Connecting



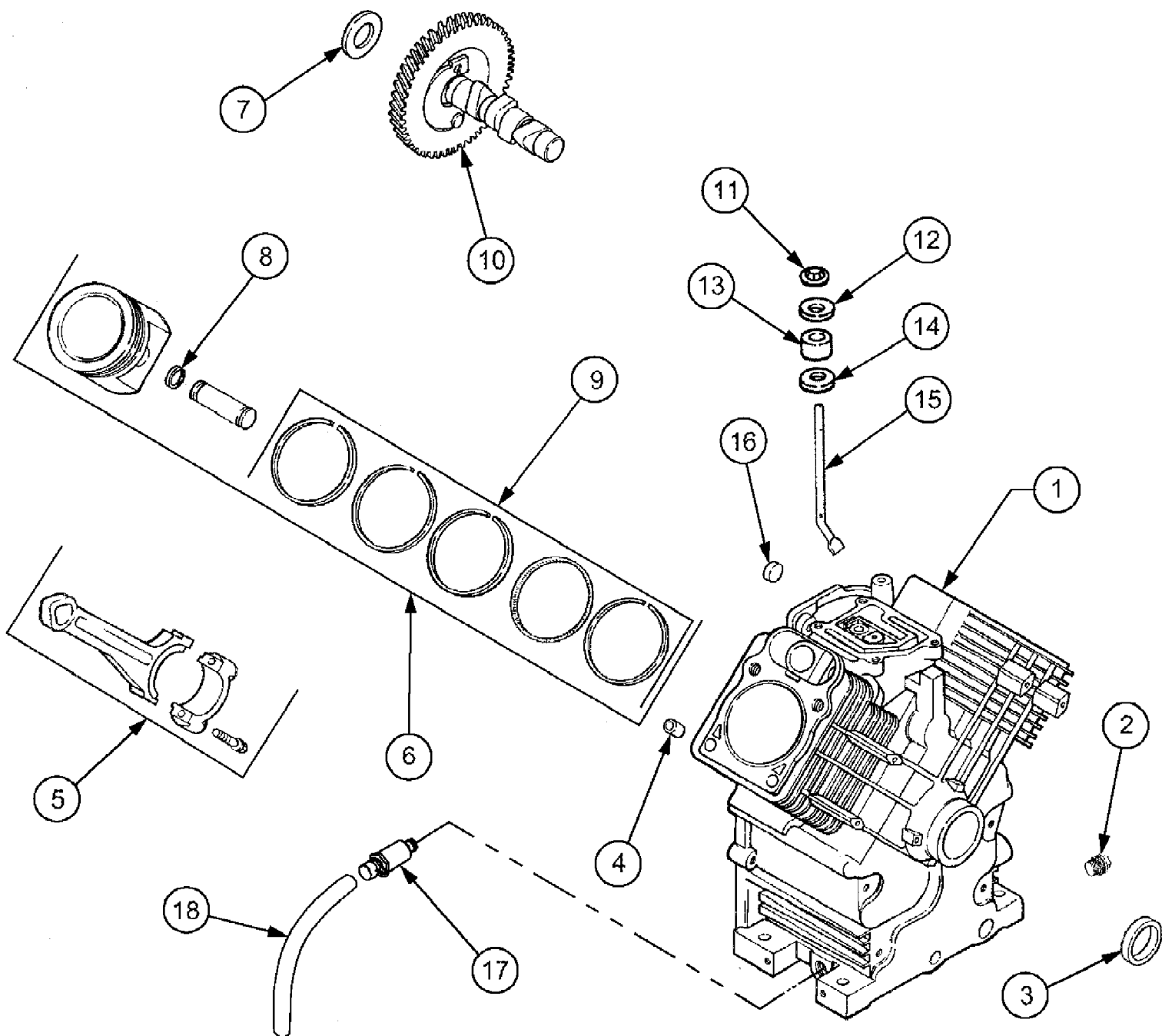
Ref #	Part Number	Qty	S/P/F	Description
1	703-2557-0637	1	/P	Screen, Intake Dash
2	703-3108B-0637	1	S	Bulkhead, Lower
3	710-0751	2	/P	Screw, Hex Cap, 1/4-20 x .625
4	710-0597	4	/P	Screw, Hex Cap, 1/4-20 x 1.0
5	710-3217	3	/P	Screw, Cross Rec Trus, #8-32 x .38
6	712-0142	1	/P	Nut, #8-32
7	712-0397	2	S	Nut, Wing w/Bell Washer 1/4-20
8	720-3024	1	S	Seal, Push On Trim
9	723-3042	1	/P	Bushing, Snap, 7/8 ID
10	726-3048	2		Nut, U-Type Speed, 1/4-20
11	726-3054	4		Nut, U-Clip, 1/4-20
12	731-3137A	1	/P	Panel, Dash
	777I20306	1	/P	Graphic, Ignition Switch
13	731-3161	1	S	Knob, Throttle
14	723-3062	1		Seal Ring, Foam
15	736-3128	4		Washer, Flat, .285 x 1.75 x .10
16	746-3049	1	S	Control, Throttle
17	746-3050A	1	S	Control, Choke
18	747-3226	1		Rod, RH Mounting
19	747-3227	1		Rod, LH Mounting
20	777I20312	1	/P	Label, Dash
21	710-0136	1	/P	Screw, Hex Cap, 1/4-20 x 1.75 GR5
22	736-0342	1		Washer, Flat, .283 x .75 x .030
23	731-3232	1		Roller, Hood Latch
24	712-0271	1	/P	Nut, Hex Sems, 1/4-20



2518-44 Tractor
Crankcase (KH-62588)

Page 21 of 89

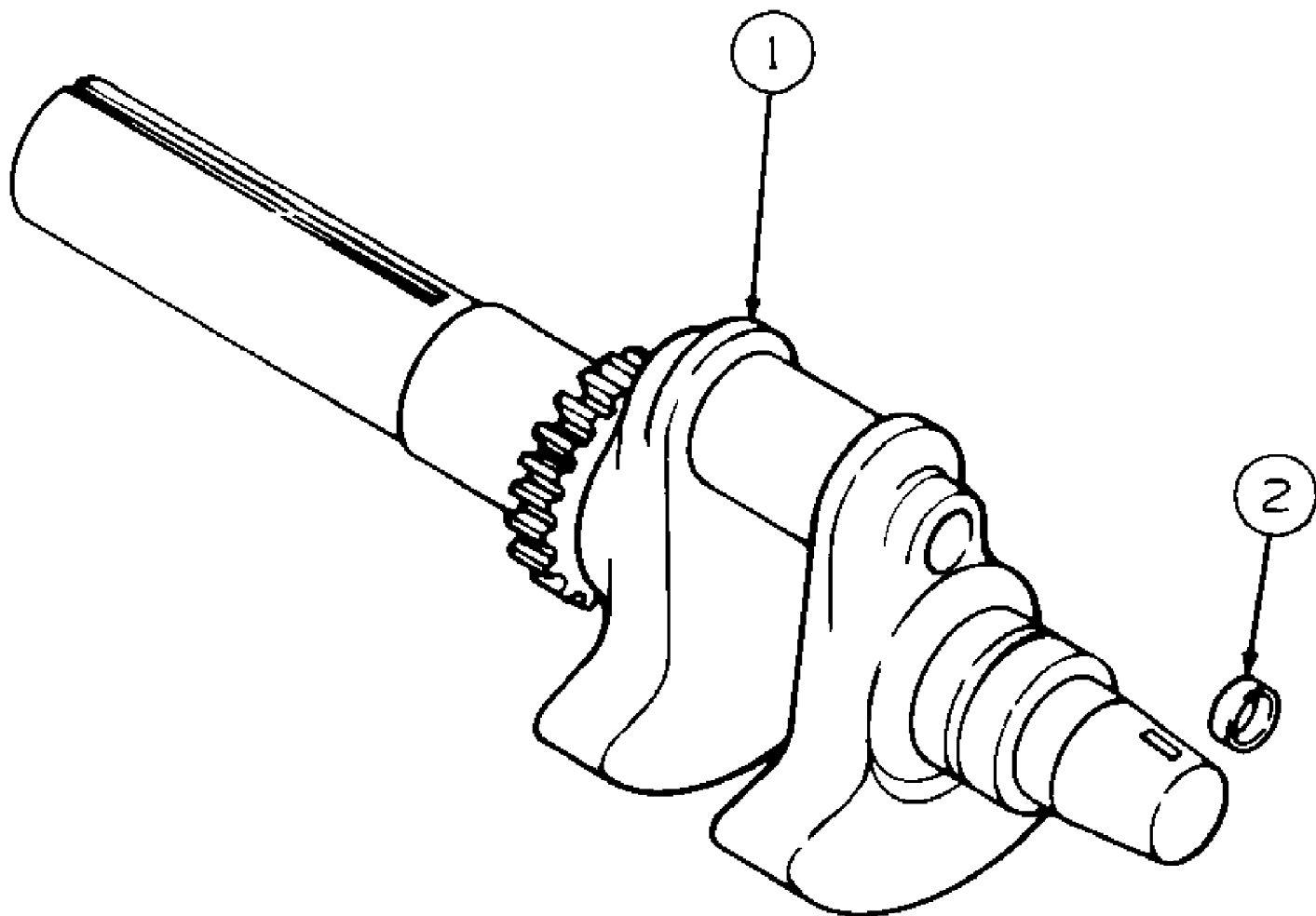
Ref #	Part Number	Qty	S/P/F	Description
	KH-62588	1	/P	Complete Engine
	KH-24-522-130	1	/P	Short Block
1	KH-24-782-15	1	/P	Cylinder Block, (Use Miniblock)
2	KH-X-75-10	1	S	Plug, Hex Hd, 3/8
3	KH-24-032-01	1	S	Seal, Front Oil
4	KH-12-380-17	6	S	Pin, Locating Dowel
5	KH-24-067-13	2	S	Rod, Connecting, Std
	KH-24-067-14	2		Rod, Connection, .010 / .25mm
6	KH-24-874-01	2	S	Piston w/Ring Set, Std
	KH-24-874-02	2	S	Piston w/Ring Set, .010 / .25mm
	KH-24-874-03	2	S	Piston w/Ring Set, .020 / .50mm
	KH-24-874-14-S	2		Piston w/Ring Set, .08mm
7	KH-12-422-09	AR	S	Shim, Camshaft, .0320 (Red)
	KH-12-422-13	AR	S	Shim, Camshaft, .0400 (Black)
	KH-12-422-07	AR	S	Shim, Camshaft, .0280 (White)
	KH-12-422-08	AR	S	Shim, Camshaft, .0300 (Blue)
	KH-12-422-10	AR	S	Shim, Camshaft, .0340 (Yellow)
	KH-12-422-11	AR	S	Shim, Camshaft, .0360 (Green)
	KH-12-422-12	AR	S	Shim, Camshaft, .0380 (Gray)
8	KH-24-018-01	4	S	Retainer, Piston Pin
9	KH-24-108-01	2	S	Ring Set, Std
	KH-24-108-02	2	S	Ring Set, .010 / .25mm
	KH-24-108-03	2		Ring Set, .020 / .50mm
10	KH-24-012-10-S	1	/P	Camshaft Assembly
11	KH-24-018-09	1		Ring, Retainer
12	KH-M-931010	1		Washer, Nylon
13	KH-28-032-09	1		Seal, Governor Cross Shaft
14	KH-24-468-15	1		Washer, Plain
15	KH-24-144-33	1		Shaft, Governor Cross
16	KH-52-139-09	1	S	Plug, Cup
17	751-3140	1	S	Drain, Oil
	751-3142	1		Cap
18	751-3141-12	1	S	Hose, Oil Drain
	KH-24-755-107-S	1	/P	Gasket Set



2518-44 Tractor
Crankcase (KH-64638)

Page 23 of 89

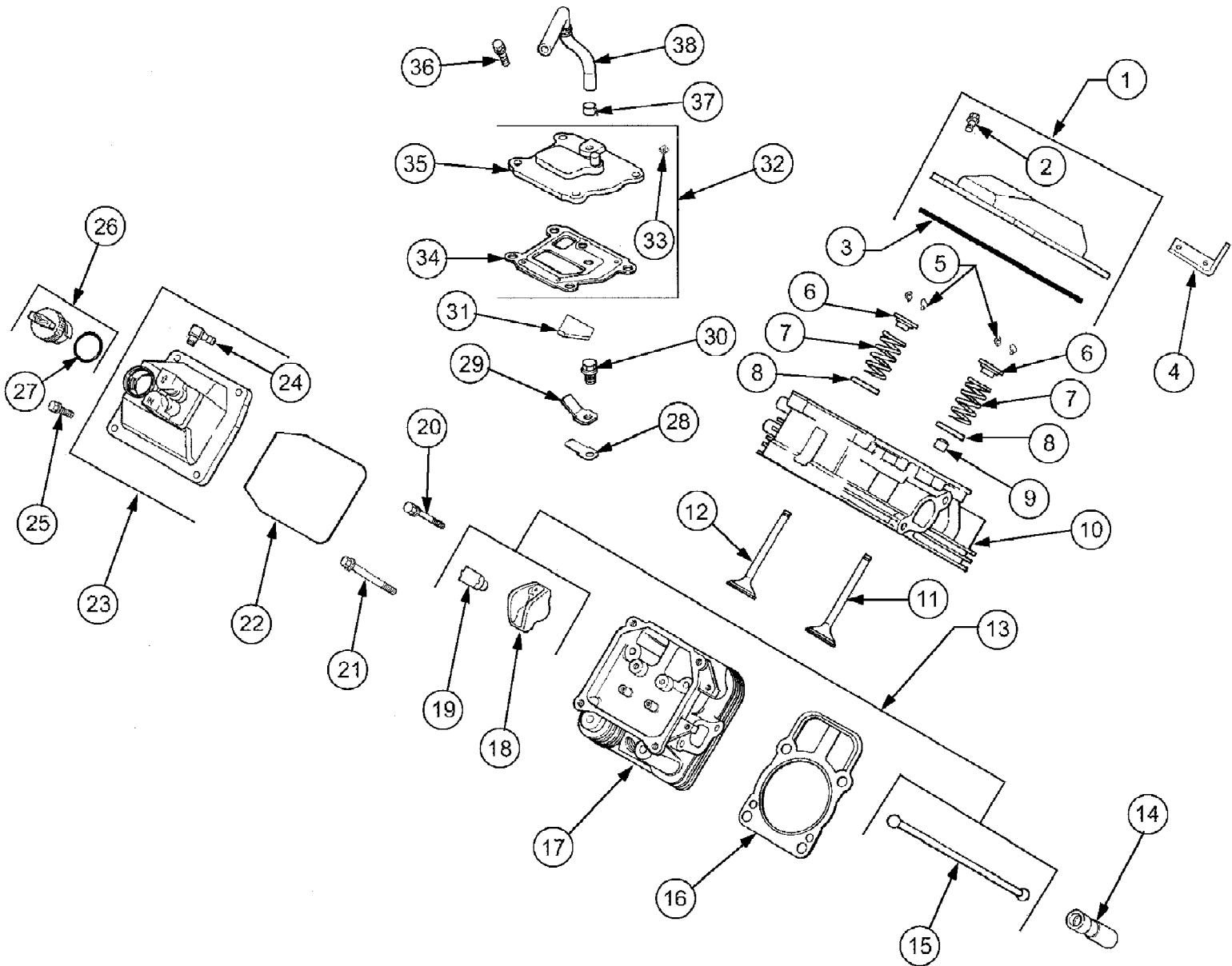
Ref #	Part Number	Qty	S/P/F	Description
	KH-64638	1	S	Complete Engine
	KH-24-522-180	1	/P	Short Block
1	KH-24-782-15	1	/P	Cylinder Block, (Use Miniblock)
2	KH-25-139-57-S	1	/P	Plug, Hex Hd, 3/8
3	KH-24-032-01	1	S	Seal, Front Oil
4	KH-24-380-13-S	6	S	Pin, Locating Dowel
5	KH-24-067-13	2	S	Rod, Connecting, Std
	KH-24-067-14	2		Rod, Connection, .010 / .25mm
6	KH-24-874-17-S	2	S	Piston w/Ring Set, Std
	KH-24-874-18-S	2	/P	Piston w/Ring Set, .010 / .25mm
	KH-24-874-19-S	2	S	Piston w/Ring Set, .020 / .50mm
	KH-24-874-14-S	2		Piston w/Ring Set, .08mm
7	KH-12-422-09	AR	S	Shim, Camshaft, .0320 (Red)
	KH-12-422-13	AR	S	Shim, Camshaft, .0400 (Black)
	KH-12-422-07	AR	S	Shim, Camshaft, .0280 (White)
	KH-12-422-08	AR	S	Shim, Camshaft, .0300 (Blue)
	KH-12-422-10	AR	S	Shim, Camshaft, .0340 (Yellow)
	KH-12-422-11	AR	S	Shim, Camshaft, .0360 (Green)
	KH-12-422-12	AR	S	Shim, Camshaft, .0380 (Gray)
8	KH-24-018-01	4	S	Retainer, Piston Pin
9	KH-24-108-11-S	2	S	Ring Set, Std
	KH-24-108-12-S	2	S	Ring Set, .010 / .25mm
	KH-24-108-13-S	2		Ring Set, .020 / .50mm
10	KH-24-012-10-S	1	/P	Camshaft Assembly
11	KH-24-018-09	1		Ring, Retainer
12	KH-M-931010	1		Washer, Nylon
13	KH-28-032-09	1		Seal, Governor Cross Shaft
14	KH-24-468-15	1		Washer, Plain
15	KH-24-144-38	1		Shaft, Governor Cross
16	KH-52-139-09	1	S	Plug, Cup
17	751-3140	1	S	Drain, Oil
	751-3142	1		Cap
18	751-3141-12	1	S	Hose, Oil Drain
	KH-24-755-107-S	1	/P	Gasket Set



2518-44 Tractor
Crankshaft

Page 25 of 89

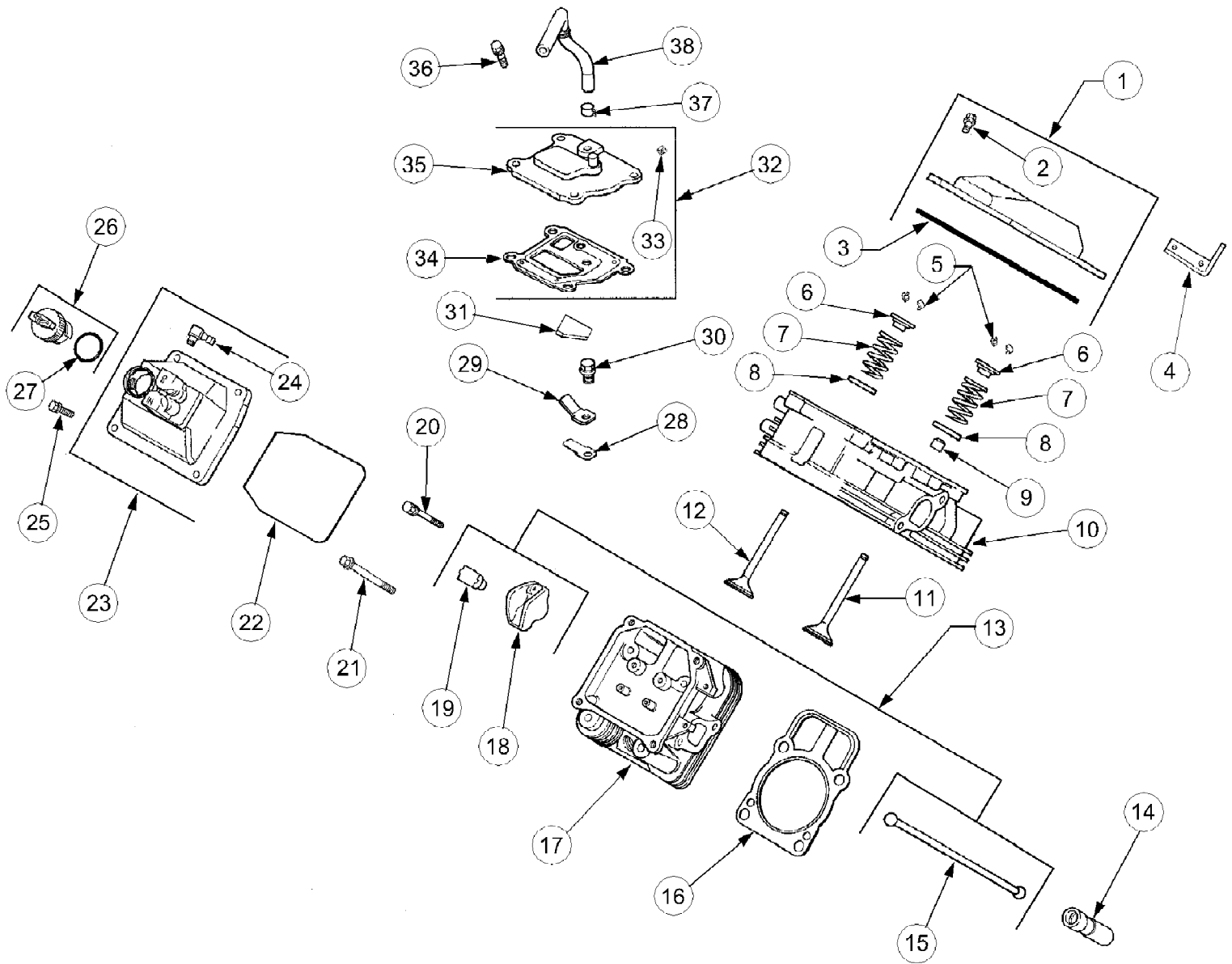
Ref #	Part Number	Qty	S/P/F	Description
1	KH-24-014-06	1	S	Crankshaft (Incl. Ref #2)
2	KH-52-139-09	1	S	Plug, Cup



2518-44 Tractor
Cylinder Head, Valves And Breather

Page 27 of 89

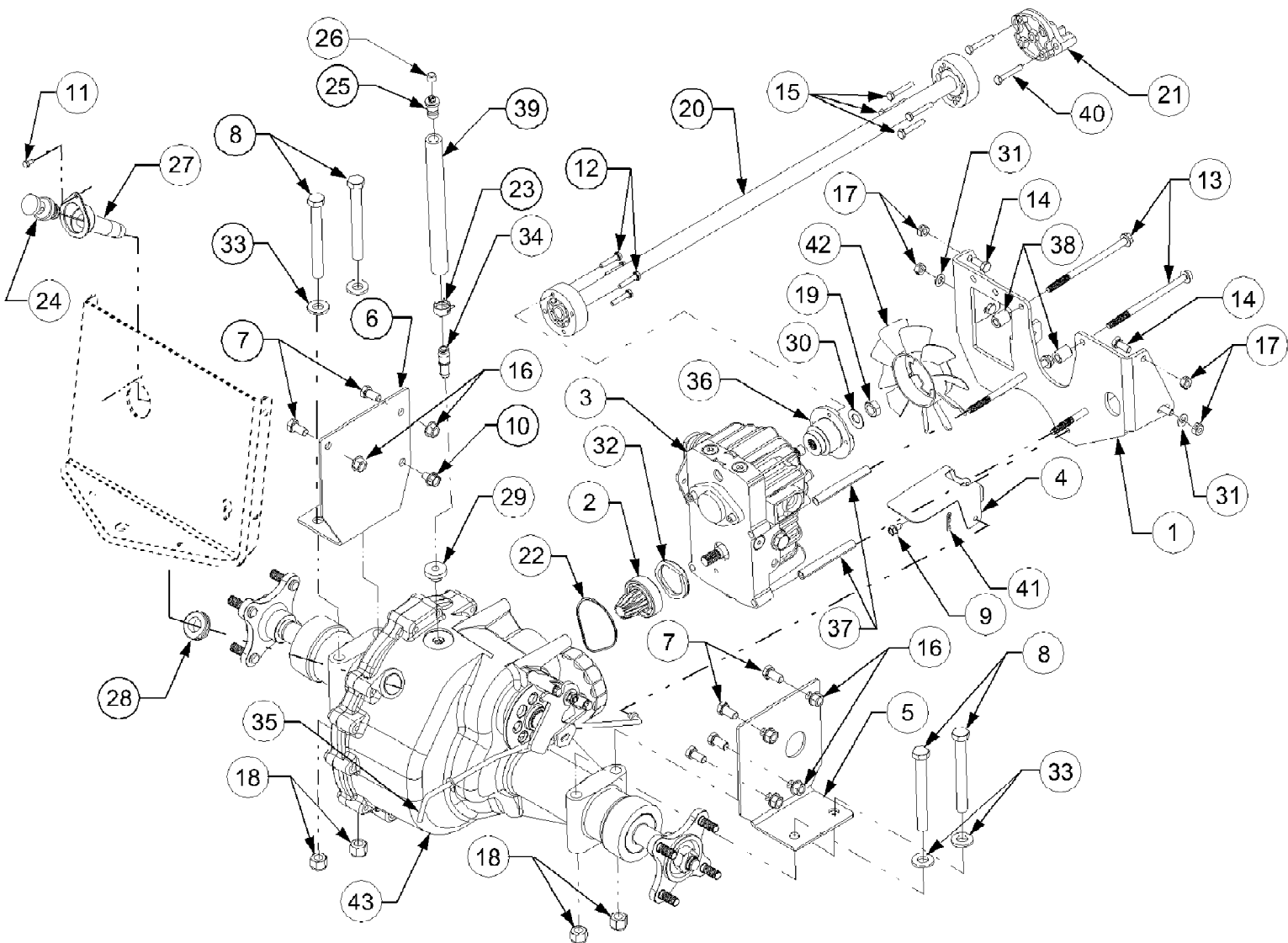
Ref #	Part Number	Qty	S/P/F	Description
1	KH-24-755-74	1	S	Kit, Valve Cover (Includes 2-3)
2	KH-24-086-32	4		Screw, Shoulder
3	KH-24-153-23	1		O-Ring, Valve Cover
4	KH-24-445-01	1	S	Strap, Lifting
5	KH-12-755-03	4	/P	Kit, Retainer
6	KH-12-173-01	4	/P	Cap, Valve Spring
7	KH-24-089-02	4	/P	Spring, Valve
8	KH-235011	4	S	Retainer, Spring
9	KH-66-032-05	2		Seal, Valve Stem
10	KH-24-318-09	1	S	Head Assembly, #1 Cylinder
11	KH-24-017-01	2	/P	Valve, Intake Std
	KH-24-017-02	2		Valve, Intake, .25mm
12	KH-24-016-01	2	/P	Valve, Exhaust Std
	KH-24-016-02	2		Valve, Exhaust, .25mm
13	KH-24-755-66	1	/P	Kit, Valve Train (Incl. 15,18,19)
14	KH-25-351-01	4	S	Lifter, Valve
15	KH-24-411-05	4	/P	Rod, Push
16	KH-24-041-08	2	S	Gasket, Cylinder Head
17	KH-24-318-10	1	S	Head Assembly, #2 Cylinder
18	KH-25-186-01	4	/P	Arm, Rocker
19	KH-24-599-01	4	S	Pivot, Rocker Arm
20	KH-M-0640034	1	/P	Screw, Hex Flng, M6 x 1.0 x 34
21	KH-12-086-16	8	S	Screw, Hex Flng, M10 x 1.5 x 90
22	KH-24-153-23-S	1	/P	O-Ring, Valve Cover
23	KH-24-393-14	1	S	Cover, Fuel Pump Valve (Incl. 24)
24	KH-25-155-02	2	/P	Connector, 90°.
25	KH-24-086-34	4	/P	Screw, Shoulder
26	KH-24-227-02	1	S	Cap Assembly, Oil Fill (Incl. 27)
27	KH-24-153-09	1	S	O-Ring
28	KH-24-402-03	1	/P	Reed, Breather
29	KH-12-018-01	1	S	Retainer, Breather Reed
30	KH-M-0545010	1	/P	Screw, Hex Flng, M5 x 0.8 x 10
31	KH-24-050-01	1	S	Filter, Breather
32	KH-25-033-01	1		Kit, Breather (Includes 33-35)
33	KH-25-139-60-S	1	/P	Plug, Allen ctsk, 1/8 nptf
34	KH-24-041-23	1	S	Gasket, Breather
35	KH-24-096-86-S	1	S	Cover, Breather
36	KH-M-0645020	4	S	Screw, Hex Flng M6 x 1.0 x 20
37	KH-X-426-9	1	S	Clamp, Breather
38	KH-24-326-26	1	S	Hose, Breather



2518-44 Tractor
Cylinder Head, Valves And Breather (KH-62588)

Page 29 of 89

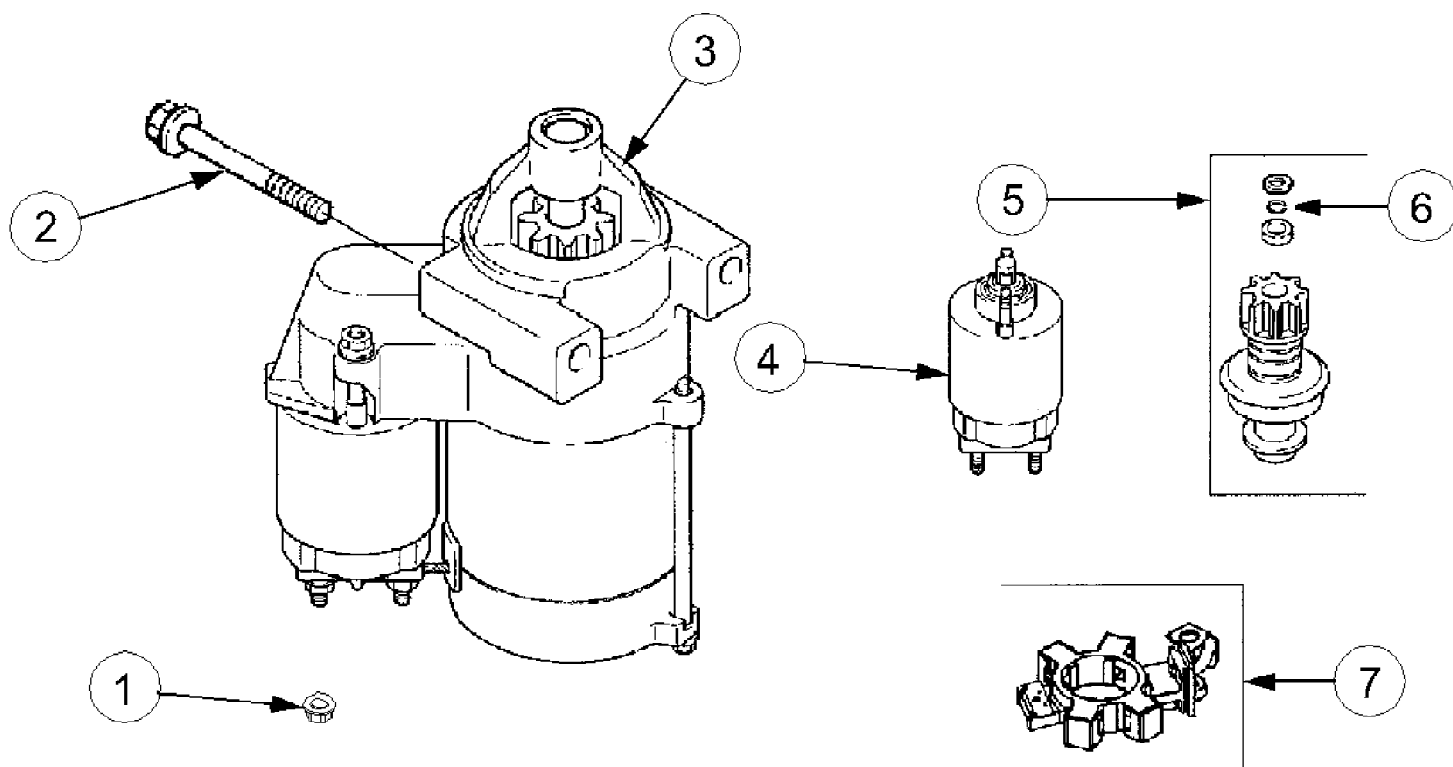
Ref #	Part Number	Qty	S/P/F	Description
1	KH-24-755-74	1	S	Kit, Valve Cover (Includes 2-3)
2	KH-24-086-32	4		Screw, Shoulder
3	KH-24-153-16	1	S	O-Ring, Valve Cover
4	KH-24-445-01	1	S	Strap, Lifting
5	KH-12-755-03	4	/P	Kit, Retainer
6	KH-12-173-01	4	/P	Cap, Valve Spring
7	KH-24-089-02	4	/P	Spring, Valve
8	KH-235011	4	S	Retainer, Spring
9	KH-24-032-05	2	S	Seal, Valve Stem
10	KH-24-318-09	1	S	Head Assembly, #1 Cylinder
11	KH-24-017-01	2	/P	Valve, Intake Std
	KH-24-017-02	2		Valve, Intake, .25mm
12	KH-24-016-01	2	/P	Valve, Exhaust Std
	KH-24-016-02	2		Valve, Exhaust, .25mm
13	KH-24-755-66	1	/P	Kit, Valve Train (Incl. 15, 18, 19)
14	KH-12-351-02	4	S	Lifter, Valve
15	KH-24-411-05	4	/P	Rod, Push
16	KH-24-041-08	2	S	Gasket, Cylinder Head
17	KH-24-318-10	1	S	Head Assembly, #2 Cylinder
18	KH-25-186-01	4	/P	Arm, Rocker
19	KH-24-599-01	4	S	Pivot, Rocker Arm
20	KH-M-0640034	1	/P	Screw, Hex Flng, M6 x 1.0 x 34
21	KH-12-086-16	8	S	Screw, Hex Flng, M10 x 1.5 x 90
22	KH-24-153-16	1	S	O-Ring, Valve Cover
23	KH-24-393-14	1	S	Cover, Fuel Pump Valve (Incl. 24)
24	KH-25-155-02	2	/P	Connector, 90°.
25	KH-24-086-34	4	/P	Screw, Shoulder
26	KH-24-227-02	1	S	Cap Assembly, Oil Fill (Incl. 27)
27	KH-24-153-09	1	S	O-Ring
28	KH-24-402-03	1	/P	Reed, Breather
29	KH-12-018-01	1	S	Retainer, Breather Reed
30	KH-M-0545010	1	/P	Screw, Hex Flng, M5 x 0.8 x 10
31	KH-24-050-01	1	S	Filter, Breather
32	KH-24-033-01	1	/P	Kit, Breather (Includes 33-35)
33	KH-X-75-23	1	S	Plug, Allen Hd 1/8 Pipe
34	KH-24-041-23	1	S	Gasket, Breather
35	KH-24-096-58-S	1		Cover, Breather
36	KH-M-0645020	4	S	Screw, Hex Flng M6 x 1.0 x 20
37	KH-X-426-9	1	S	Clamp, Breather
38	KH-24-326-26	1	S	Hose, Breather
	KH-62588	1	/P	Complete Engine



2518-44 Tractor
Drive Line

Page 31 of 89

Ref #	Part Number	Qty	S/P/F	Description
1	603-0707	1		Bracket, Torque
2	617-3002	1		Gear Assembly, Pinion
3	618-3243	1	S	Transmission, Hydrostatic
4	703-4093	1	/P	Spring Plate, Hydro Dump
5	703-4096-0716	1	/P	Plate, RH Transmission Flange
6	703-4097-0716	1	/P	Plate, LH Transmission Flange
7	710-0216	6	/P	Scrw, Hx Cap, 3/8-16 x .75 GR5
8	710-0465	4		Scrw, Hx Cap, 1/2-20 x 4.5 GR5
9	710-0599	1	/P	Scrw, Hx Wsh Hd Tap, 1/4-20 x .5
10	710-0773	1		Scrw, Hx Wsh Hd Tap, 3/8-16 x .5
11	710-0919	1	/P	Scrw, Hx Wsh Hd Tap, 10-16 x .44
12	710-1062	4		Scrw, Hx Lock, 1/4-20 x 1.25 GR5
13	710-1888	4		Scrw, Hx Hd Tapp, 5/16-18 x 5.25
14	710-3008	4	/P	Scrw, Hx Cap, 5/16-18 x .75 GR5
15	710-3288	4		Scrw, Hx Lock, 1/4-20 x 1.62 GR5
16	712-0431	6	S	Nut, Hex Flange Lock, 3/8-16
17	712-3009	4	S	Nut, Hx Cntr Lock, 3/8-16
18	712-3058	4	S	Nut, Hx Nylon Lock, 1/2-20 GR2
19	712-3059	1	/P	Nut, Hex Top Lock Jam, 1/2-20
20	718-3143	1		Shaft, Drive, 30.875 Lg
20	759-3764	2	/P	Drive Barrels Kit Not shown, (2 kits per tractor)
21	719-3096	1	/P	Adapter, Engine
22	721-0519	1		Seal, Gland
23	726-0324	1	S	Clamp, Hose
24	727-3195	1		Dipstick, Transmission
25	731-1480	1	/P	Vent, Plastic
26	731-1481	1		Cap, Plastic Vent
27	731-3294	1		Holder, Dipstick
28	735-0277A	1		Grommet, Rubber, .75 x 1.063
29	735-0279	1		Grommet, Rubber, .362 x .56
30	736-0253	1	S	Washer, Belleville
31	736-0275	2	S	Washer, Flat, .344 x .688 x .065
32	736-0619	1		Washer, Spring
33	736-3019	4		Washer, Flat, .531 x 1.062 x .134
34	737-3092	1		Fitting, Tube
35	747-3417	1	S	Rod, Hydro Dump Valve
36	748-3093	1		Adapter, Hydro Pump
37	750-3349	2		Spacer, Hydro, .323 x .443 3.51
38	750-3350	2		Spacer, Hydro, .323 x .600 x .74
39	751-0588-8	1		Tube, Transmission Breather
40	KH-24-086-16	2	S	Screw, Hex Cap
41	714-0104	1	S	Internal Cotter Pin
42	731-3297	1		Fan, Pump
43		1		Transmission Assembly, Hydro See "Hydro Transmission" illustration and part list for Parts Info.

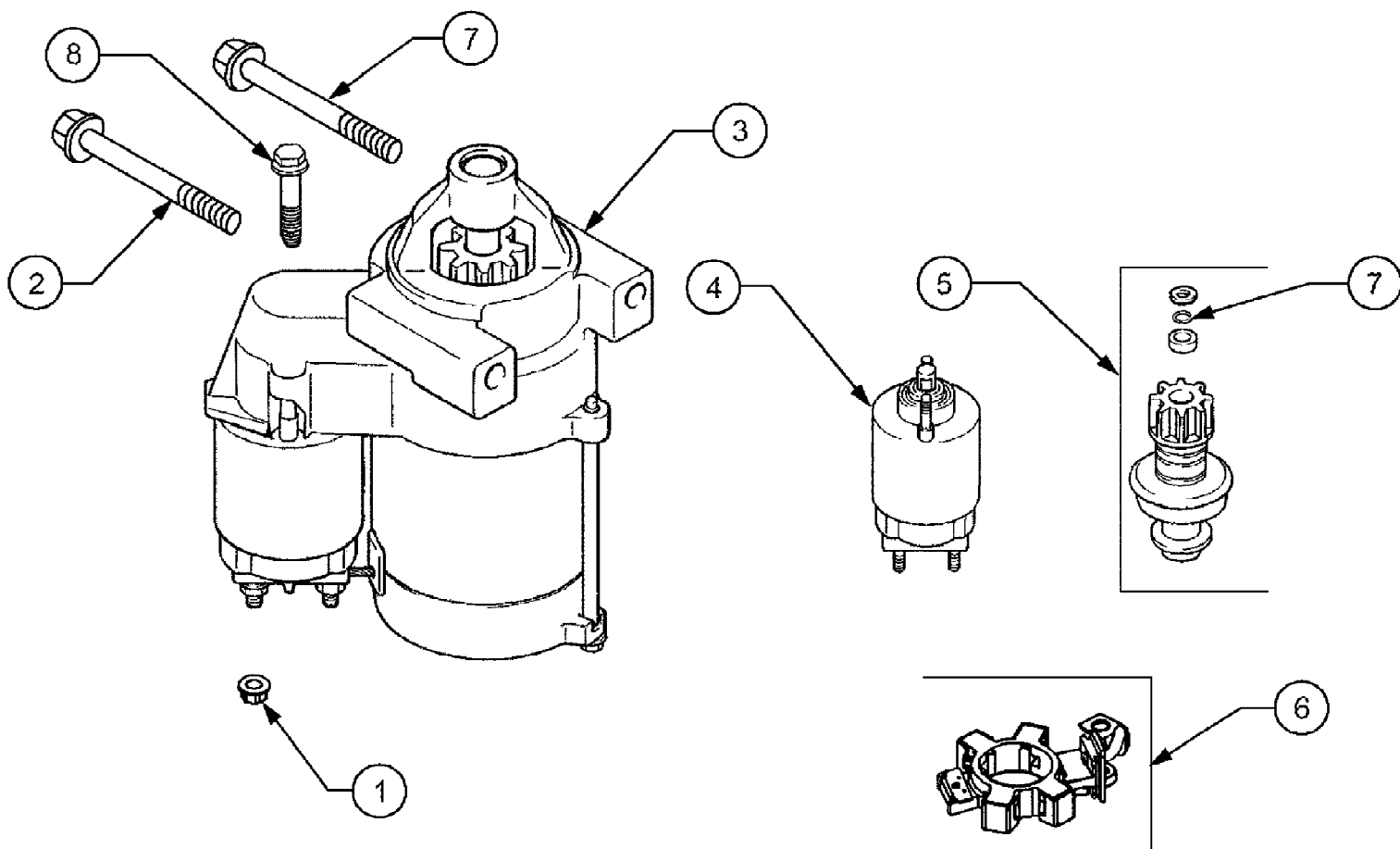


2518-44 Tractor
Electric Start (KH-25-098-08-S)

Page 33 of 89

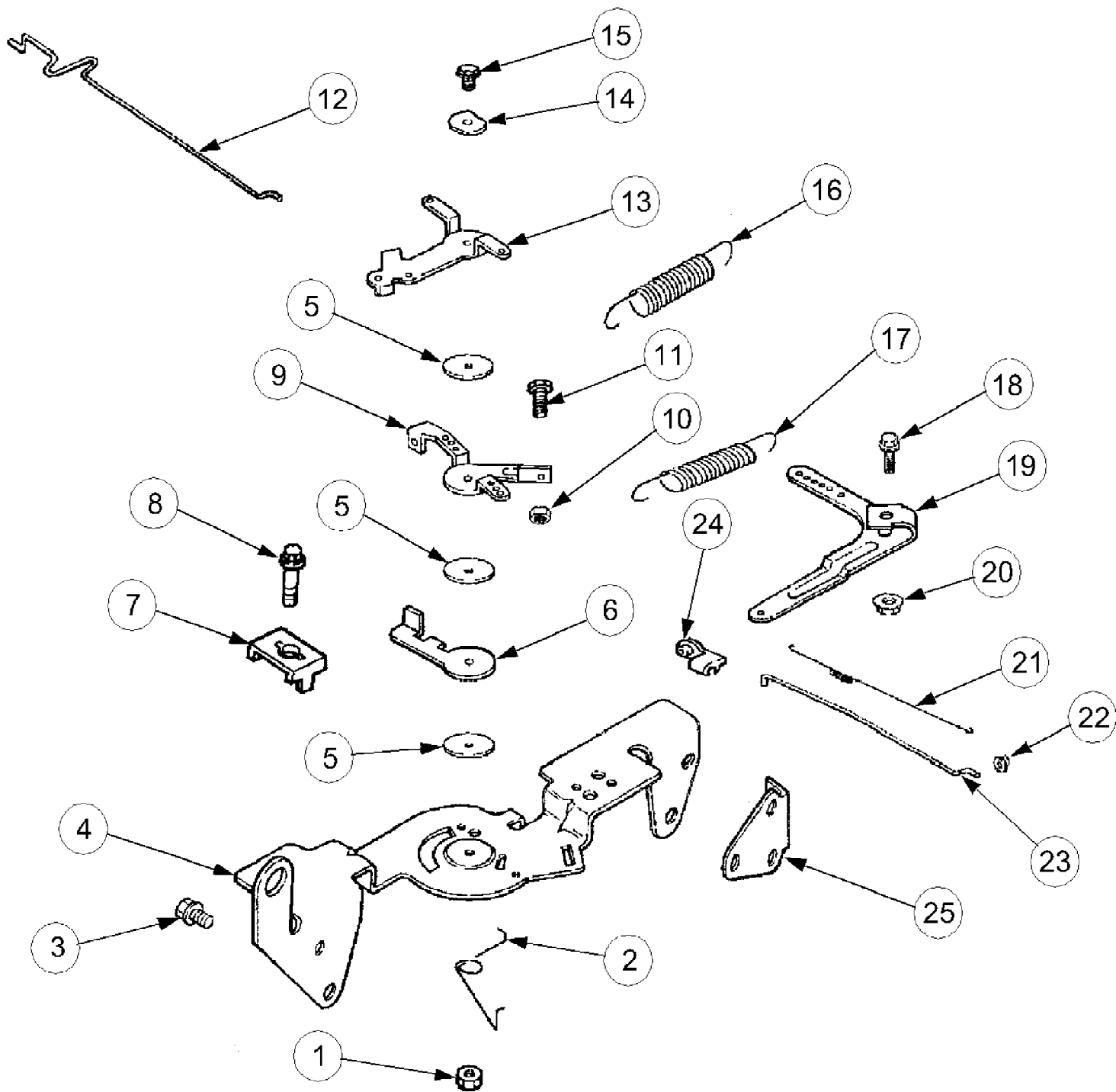
Ref #	Part Number	Qty	S/P/F	Description
1	KH-M-0841080	1	S	Nut, Hex Flange M8 x 1.25"
2	KH-M-839080	2	S	Screw, Hex Flange M8 x 1.25 x 80
3	KH-25-098-08-S	1	S	Starter, Solenoid Shift Assembly (Includes 4-7)
4	KH-25-435-04-S	1	/P	Kit, Solenoid
5	KH-25-755-33-S	1		Kit, Pinion Drive (Includes 6)
6	KH-25-141-05-S	1		Ring, Retainer
7	KH-25-221-01-S	1		Kit, Brush

2518-44 Tractor
Electric Start (KH-25-098-09-S)



2518-44 Tractor
 Electric Start (KH-25-098-09-S)

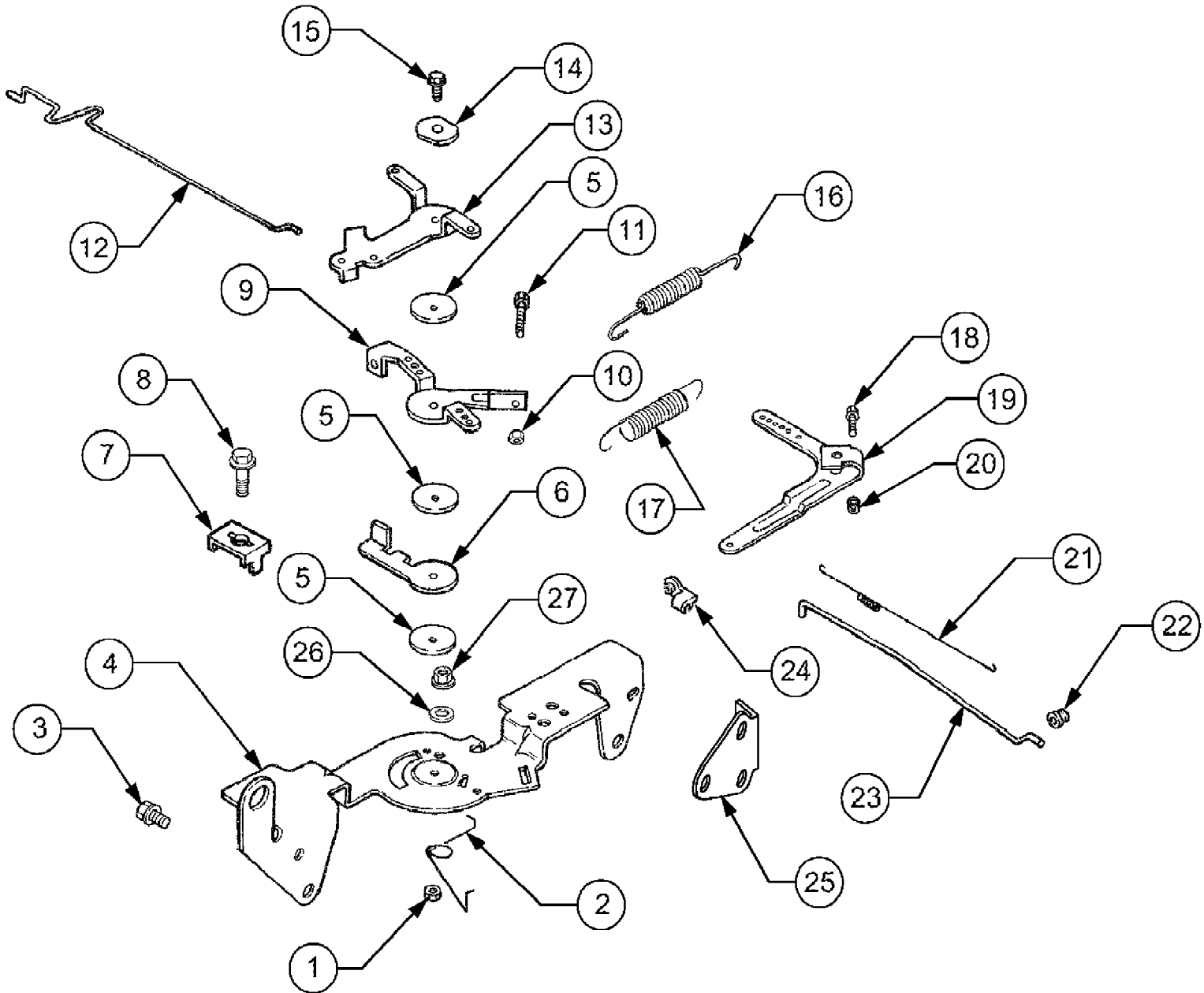
Ref #	Part Number	Qty	S/P/F	Description
1	KH-M-0841080	1	S	Nut, Hex Flange M8 x 1.25"
2	KH-M-839080	2	S	Screw, Hex Flange M8 x 1.25 x 80
3	KH-25-098-09-S	1	S	Starter, Solenoid Shift Assembly (Includes 4-6)
4	KH-25-435-04-S	1	/P	Kit, Solenoid
5	KH-25-755-33-S	1		Kit, Pinion Drive (Includes 6)
6	KH-25-221-01-S	1		Kit, Brush
7	KH-25-141-05-S	1		Ring, Retainer
8	KH-25-086-113-S	3		Screw, External Torx Hd.



2518-44 Tractor
 Engine Controls (KH-62588)

Page 37 of 89

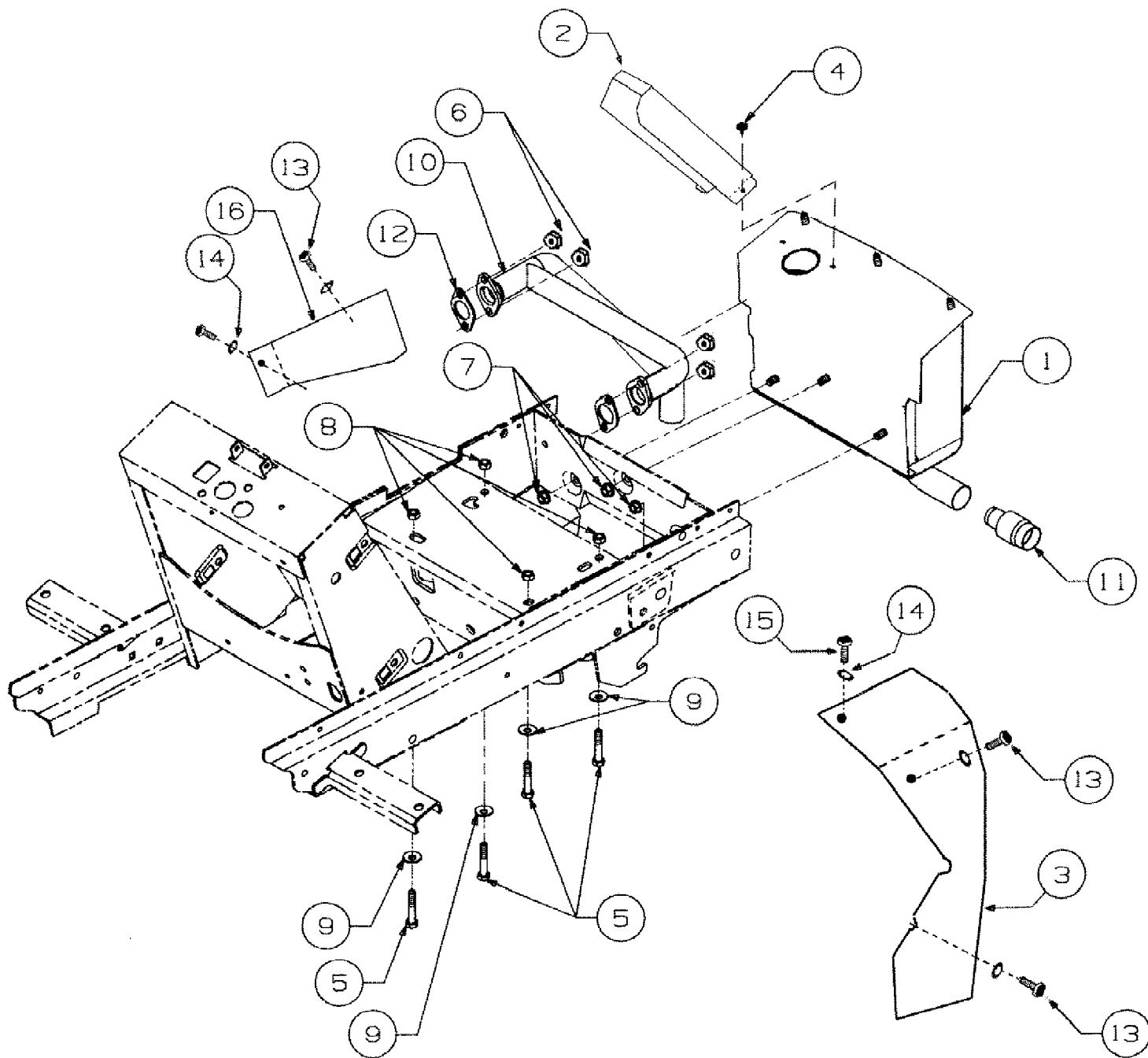
Ref #	Part Number	Qty	S/P/F	Description
1	KH-M-0547050	1	/P	Nut, Hex Lock M5 x 0.8
2	KH-24-089-03	1		Spring, Choke Return
3	KH-M-0645016	4	S	Screw, Hex Flange M6 x 1.0 x 16
4	KH-24-126-56	1	S	Bracket, Control
5	KH-24-468-01	3		Washer , Plain 5.5mm
6	KH-24-090-07	1	/P	Lever, Throttle Actuator
7	KH-12-237-01	2		Clamp, Cable
8	KH-M-0545016	3	S	Screw, Hex Flange M5 x 0.8 x 16
9	KH-24-090-13	1		Lever, Throttle Control
10	KH-M-0446030	1	S	Nut, Hex M4 x 0.7
11	KH-M0401030	1		Screw, Hex Cap M4 x 0.7 x30
12	KH-24-079-02	1	S	Linkage, Choke
13	KH-24-090-05	1		Lever, Choke
14	KH-41-468-03	1		Washer, Spring 1/4"
15	KH-M-0545020	1	/P	Screw, Hex Flange M5 x 0,.8 x 20
16	KH-24-089-51	1		Spring, Throttle Limiter
17	KH-24-089-50	1		Spring, Governor
18	KH-24-211-03	1		Screw, Round Hd. Square Neck
19	KH-24-090-33	1		Lever, Governor
20	KH-M-0641060	1	S	Nut, Hex Flange M6 x 1.0
21	KH-24-089-01	1		Spring, Linkage
22	KH-25-158-08	1	/P	Bushing, Linkage Retaining
23	KH-24-079-01	1		Linkage, Throttle
24	KH-25-158-11	1	/P	Bushing, Linkage Retaining
25	KH-24-126-04	2	S	Bracket, Support
	KH-62588	1	/P	Complete Engine



2518-44 Tractor
Engine Controls (KH-64638)

Page 39 of 89

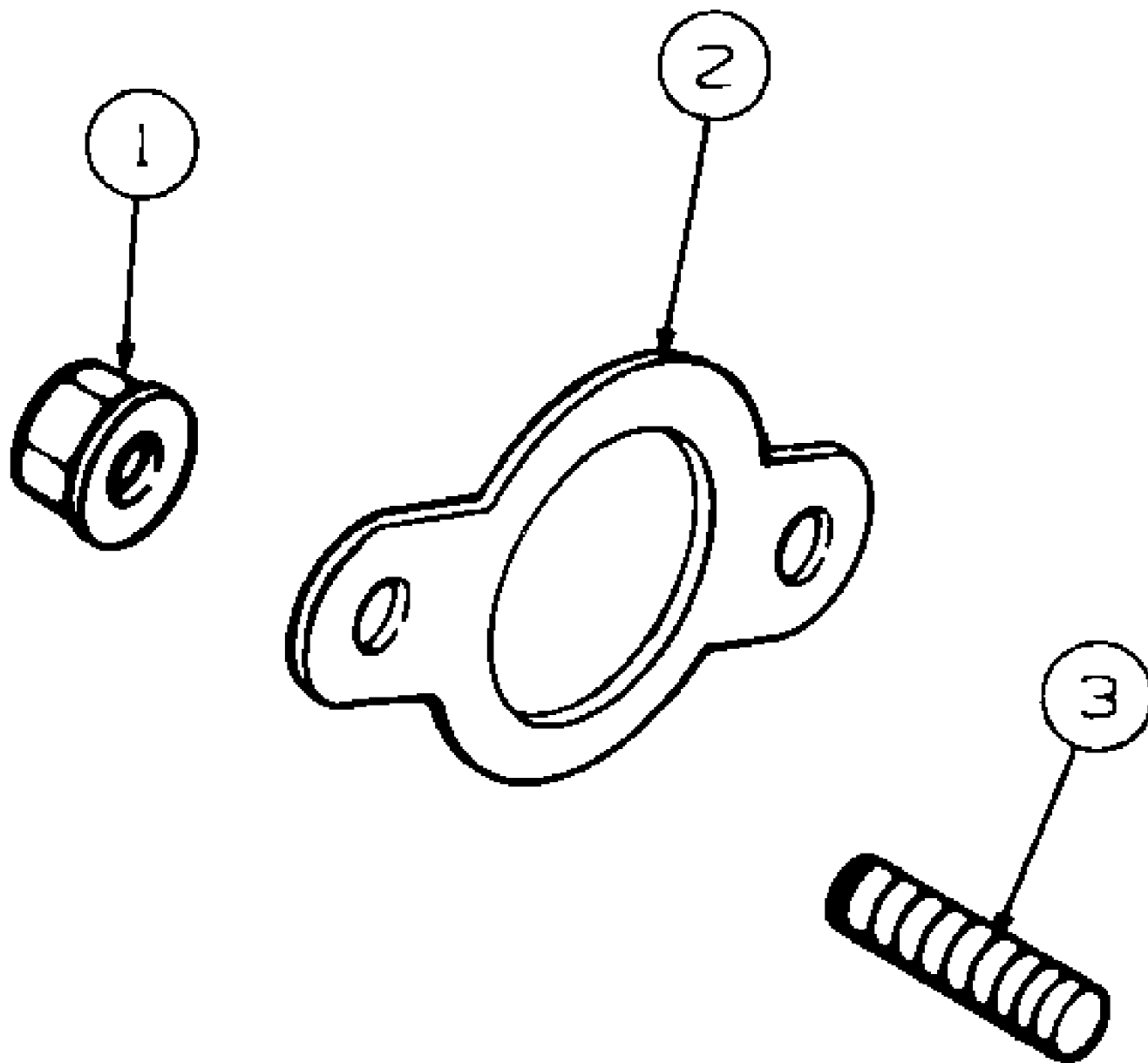
Ref #	Part Number	Qty	S/P/F	Description
1	KH-M-0547050	1	/P	Nut, Hex Lock M5 x 0.8
2	KH-24-089-03	1		Spring, Choke Return
3	KH-M-645016-S	4	/P	Screw, Hex Flange M6 x 1.0 x 16
4	KH-24-126-56	1	S	Bracket, Control
5	KH-24-468-01	3		Washer , Plain 5.5mm
6	KH-24-090-07	1	/P	Lever, Throttle Actuator
7	KH-12-237-01	2		Clamp, Cable
8	KH-M-545016-S	3	/P	Screw, Hex Flange M5 x 0.8 x 16
9	KH-24-090-13	1		Lever, Throttle Control
10	KH-M-446030-S	1	/P	Nut, Hex M4 x 0.7
11	KH-M-401030-S	1		Screw, Hex Cap M4 x 0.7 x30
12	KH-24-079-21-S	1	/P	Linkage, Choke
13	KH-24-090-05	1		Lever, Choke
14	KH-41-468-03	1		Washer, Spring 1/4"
15	KH-M-0545020	1	/P	Screw, Hex Flange M5 x 0,.8 x 20
16	KH-24-089-51	1		Spring, Throttle Limiter
17	KH-24-089-48-S	1		Spring, Governor
18	KH-24-211-03	1		Screw, Round Hd. Square Neck
19	KH-24-090-33	1		Lever, Governor
20	KH-M-0641060	1	S	Nut, Hex Flange M6 x 1.0
21	KH-24-089-01	1		Spring, Linkage
22	KH-25-158-08	1	/P	Bushing, Linkage Retaining
23	KH-24-079-01	1		Linkage, Throttle
24	KH-25-158-11	1	/P	Bushing, Linkage Retaining
25	KH-24-126-04	2	S	Bracket, Support
26	KH-X-20-1-S	1		Washer
27	KH-M-541050-S	1		Nut, Hex
	KH-64638	1	S	Complete Engine



2518-44 Tractor
Engine Mounting And Muffler

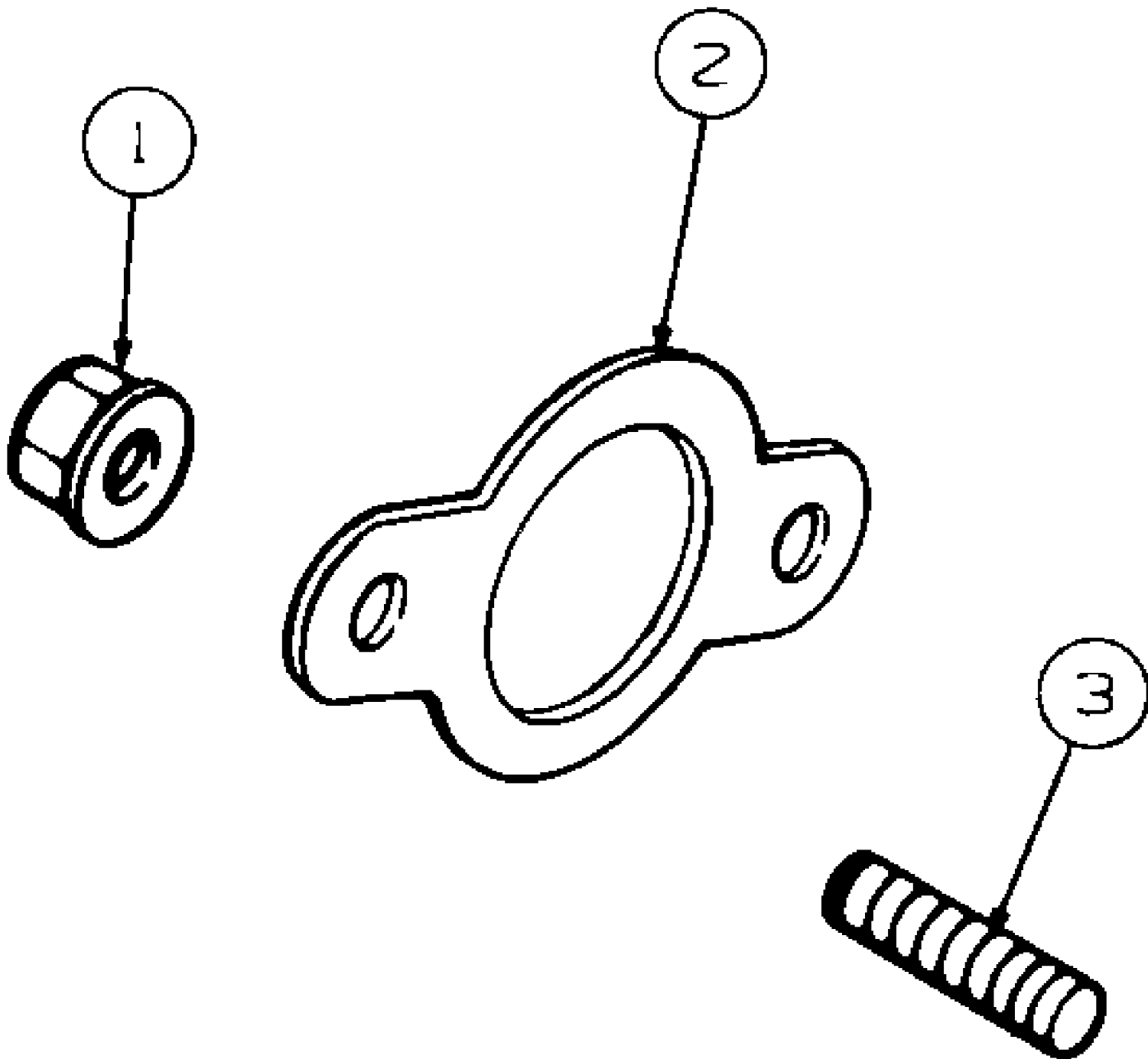
Page 41 of 89

Ref #	Part Number	Qty	S/P/F	Description
1	651-3001	1	S	Muffler Assembly
2	703-3099	1	S	Shield, Muffler Tube
3	703-2632-0637	1	/P	Baffle, RH Heat
4	710-1268	2	/P	Screw, Hex Wsh Hd Tap, #10-16 x .38
5	710-0539	4	/P	Bolt, Eng Mount, 3/8-24 x 1.75 GR5
6	KH-M-0841080	4	S	Nut, Hex Flange
7	712-3004A	3	/P	Nut, Hex Flange Lock, 5/16-18
8	712-3054	4	/P	Nut, Hex Lock, 3/8-24
9	736-0105	4	/P	Washer, Bell, .380 x .88 x .062
10	751-0654	1		Tube, Exhaust
11	759-3744	1	S	Arrestor, Spark
12	KH-24-041-02	2	S	Gasket, Exhaust
13	710-3209	4		Screw, Hex Cap, M6 x 1 x 10
14	736-0142	5	S	Washer, Flat, .281 x .5 x .06
15	710-0351	1	/P	Screw, Truss Hd Tapp, #10 x .5
16	703-2631-0637	1	/P	Baffle, LH Heat



2518-44 Tractor
Exhaust (KH-62588)

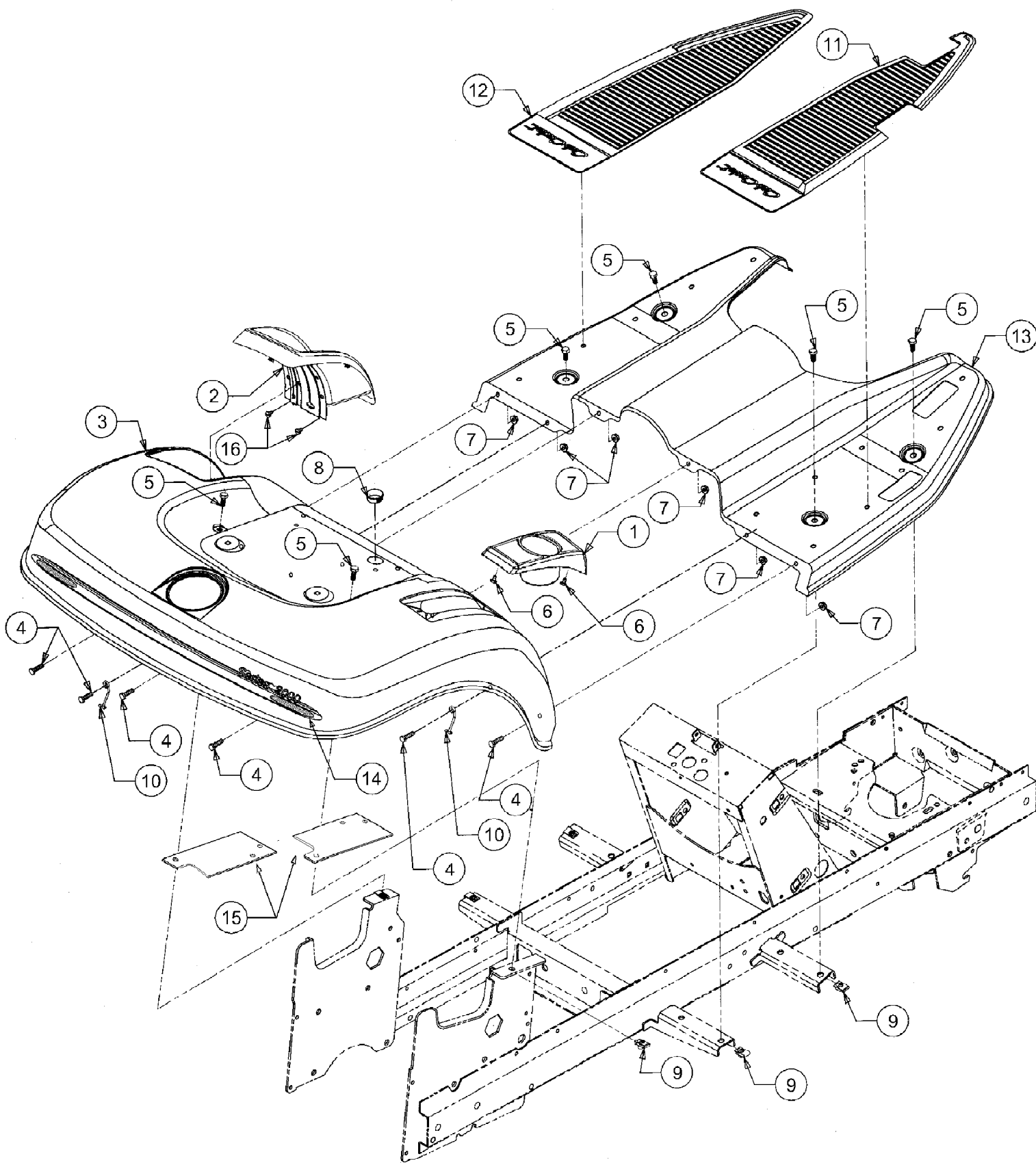
Ref #	Part Number	Qty	S/P/F	Description
1	KH-M-0841080	4	S	Nut, Muffler Mounting, M8 x 1.25
2	KH-24-041-02	2	S	Gasket, Exhaust
3	KH-25-072-04	4	/P	Stud, Exhaust, M8 x 1.25 x 33
	KH-62588	1	/P	Complete Engine



2518-44 Tractor
Exhaust (KH-64638)

Page 45 of 89

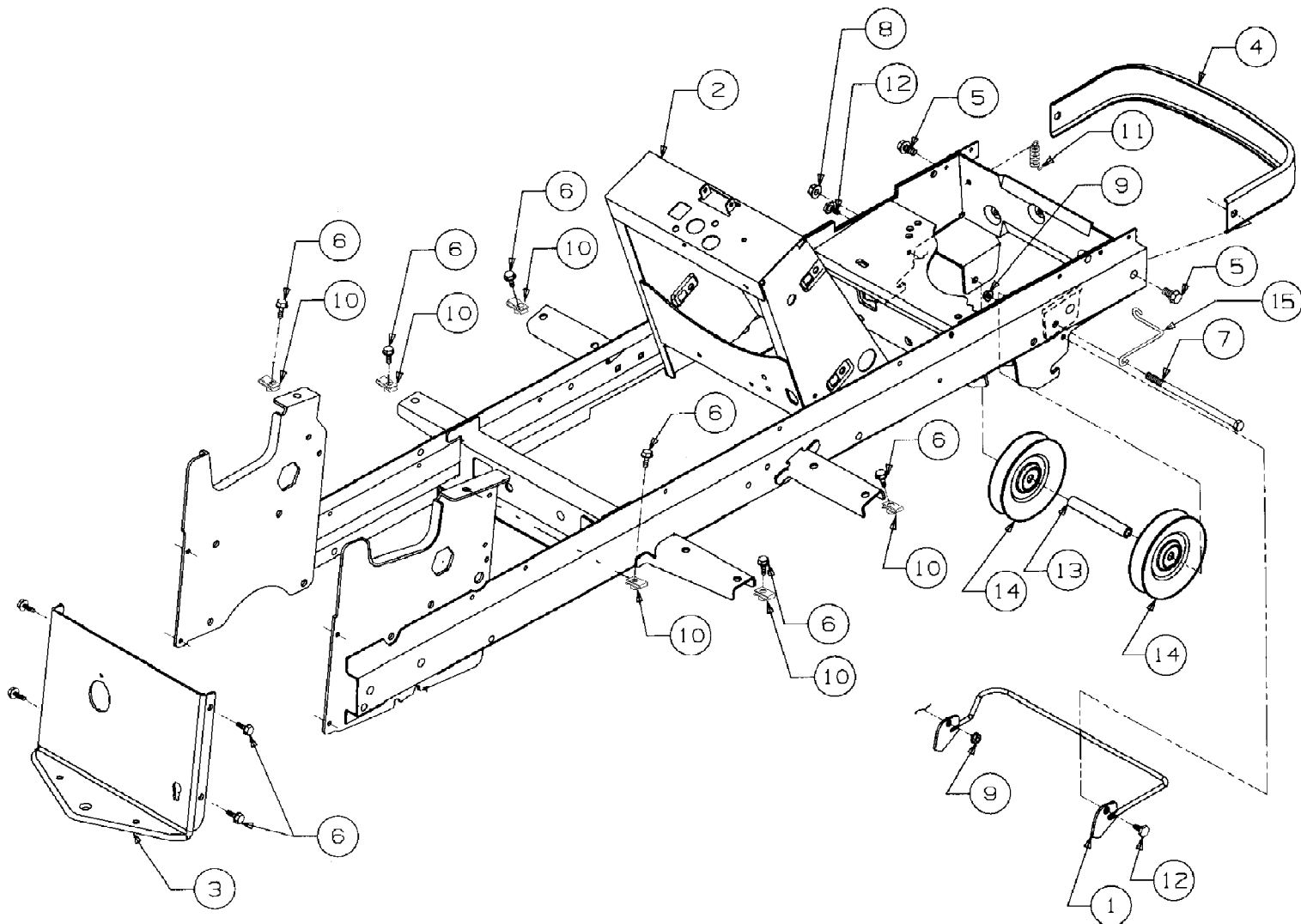
Ref #	Part Number	Qty	S/P/F	Description
1	712-3086	4	/P	Nut, Muffler Mounting, M8 x 1.25
2	721-0377	2	S	Gasket, Exhaust
3	KH-25-072-04	4	/P	Stud, Exhaust, M8 x 1.25 x 33
	KH-64638	1	S	Complete Engine



2518-44 Tractor
Fender And Running Board

Page 47 of 89

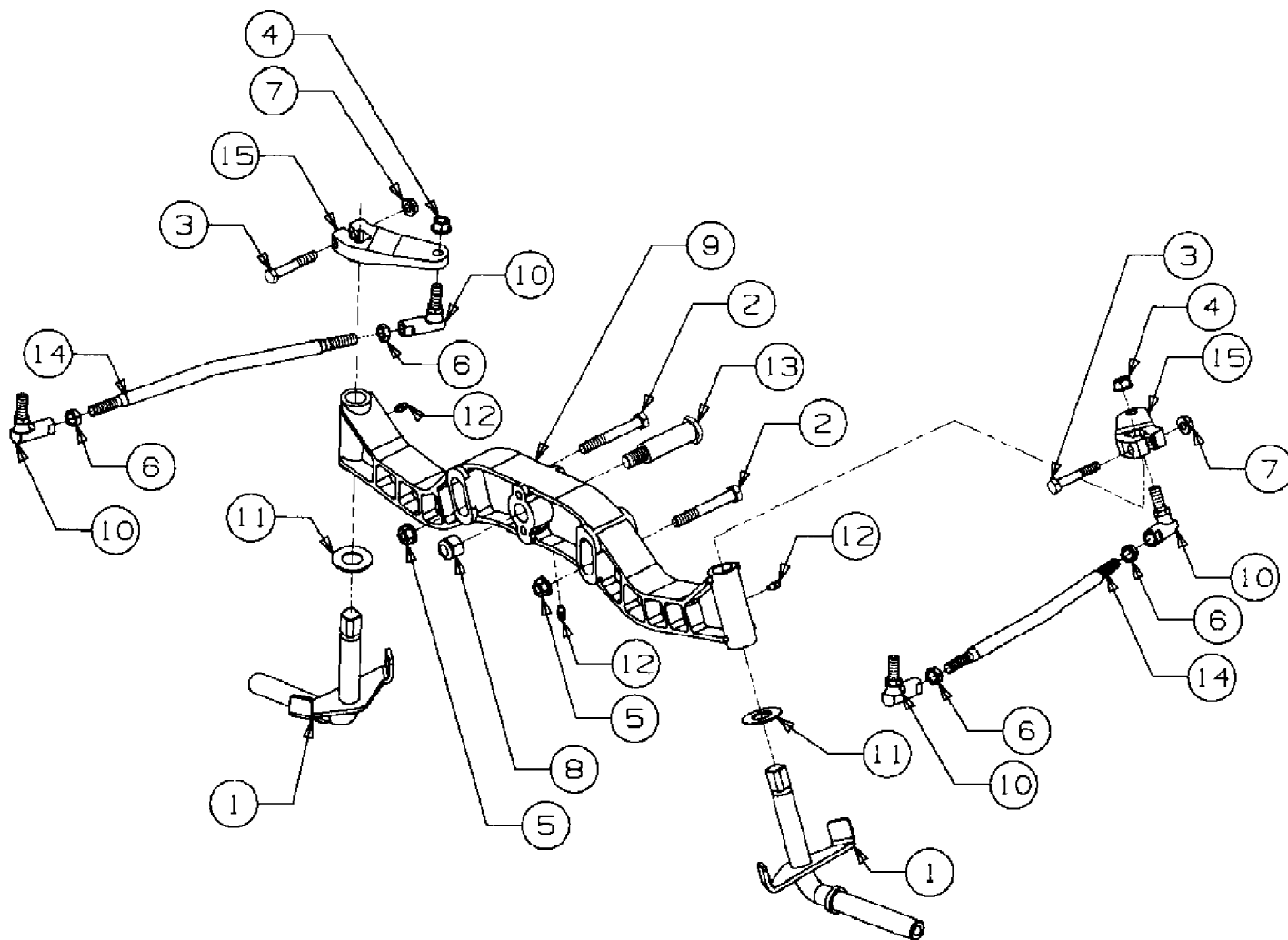
Ref #	Part Number	Qty	S/P/F	Description
1	731-3212	1	S	Cup Holder
2	631-3002	1		Cover, Implement Lift
3	703-2278B-0716	1		Fender
4	710-0751	6	/P	Screw, Hex Cap, 1/4-20 x .62 GR5
5	710-1260A	6	/P	Screw, Hex Wash Hd Tapp 5/16-18 x .750
6	710-1268	2	/P	Screw, Hex Tapp, #10 x .38 Lg
7	712-3027	6	S	Nut, Hex Flange Lock, 1/4-20
8	723-3042	1	/P	Bushing, Snap, 7/8 ID
9	726-0211	6	S	U-Nut, 5/16-18
10	732-3122	2		Retainer, Hook
11	735-3046A	1	/P	Pad, RH Foot
12	735-3047	1		Pad, LH Foot
13	703-2279-0716	1	/P	Running Board w/Graphic
	777S30170	1	/P	Graphic, Warning
	777D04382	1		Graphic, Shaft Drive
14	777D04791	1	S	Graphic, Rear Fender
15	703-2628	2		Bracket, Fender Reinforcement
16	710-0224	4	S	Screw, Hex Tapp, #10-16 x .5 Lg.



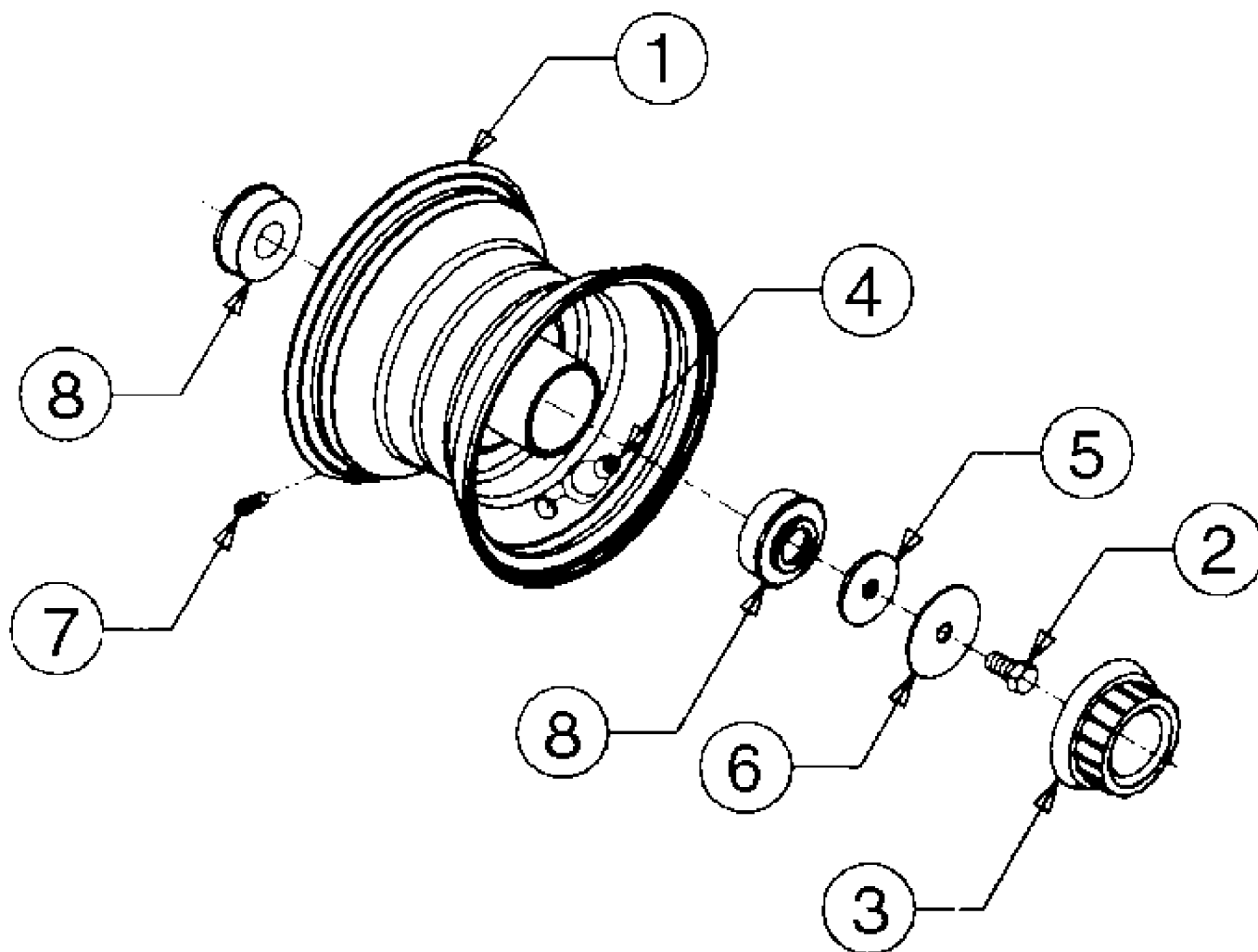
2518-44 Tractor
Frame And Drawbar

Page 49 of 89

Ref #	Part Number	Qty	S/P/F	Description
1	603-0132-0716	1	S	Rod, Quick Attach
2	603-0329B-0716	1		Frame
3	703-3453-0716	1		Drawbar
	777I20296	1		Graphic, Trans. Release Lever
4	703-2577-0716	1	S	Bumper
5	710-0623	2	/P	Screw, Hex Wsh Hd Tapp 3/8-16 x .75
6	710-1260A	10	/P	Screw, Hex Wsh Hd Tap 5/16-18 x .75
7	710-3261	1		Screw, Hex Cap, 3/8-16 x 7.0
8	712-0431	1	S	Nut, Hex Flange Lock, 3/8-16
9	712-3027	2	S	Nut, Hex Flange Lock, 1/4-20
10	726-0211	6	S	U-Nut, 5/16-18
11	732-3002	1	S	Spring, Latch
12	738-0255	2	S	Bolt, Shoulder
13	750-3114A	1	/P	Spacer, Idler, .407 x .720 x 4.38
14	756-3045	2	S	Pulley, Idler
15	732-0970	1	S	Belt Guide



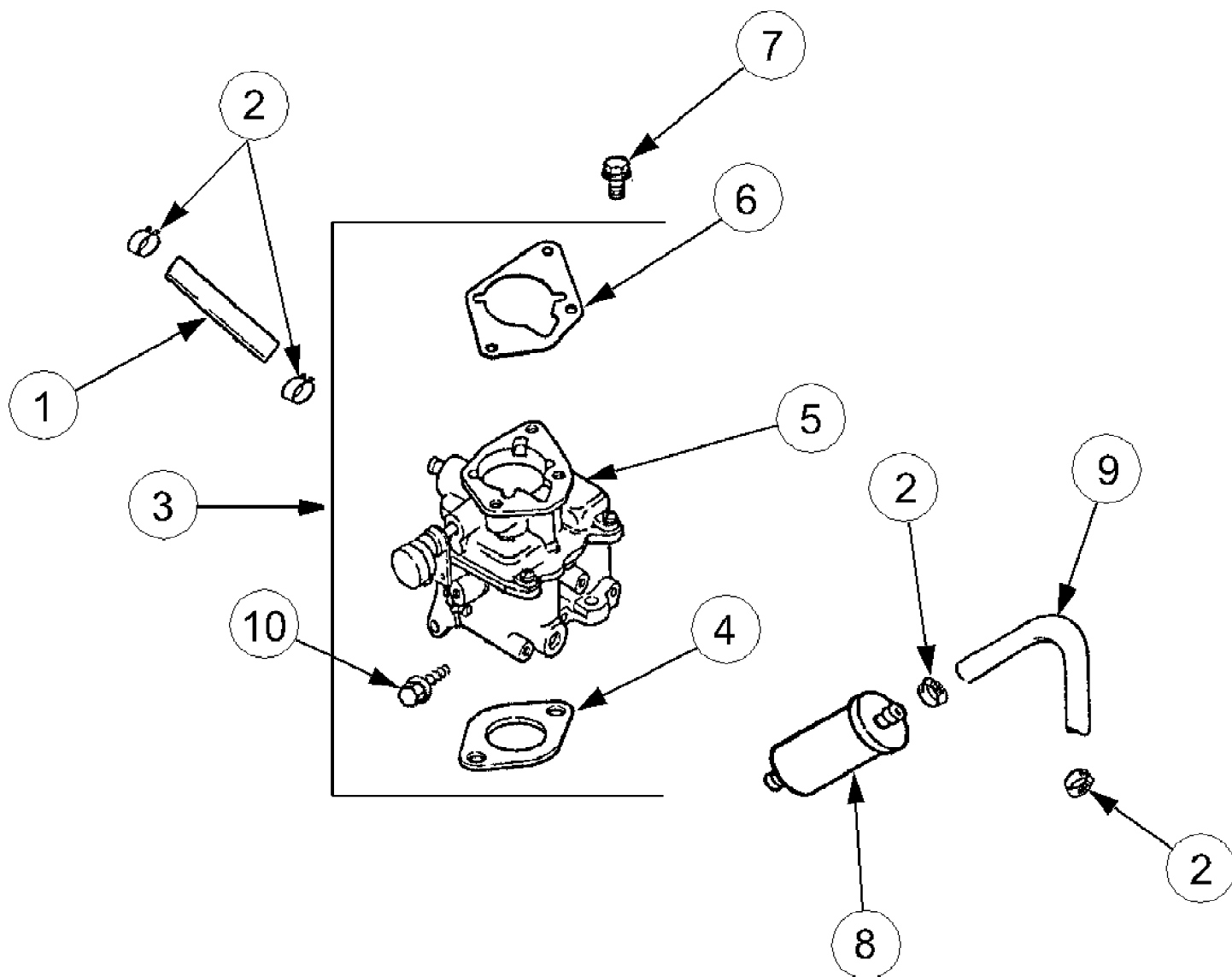
Ref #	Part Number	Qty	S/P/F	Description
1	603-0066	2		Knuckle Assembly, Steering
2	710-3066	2	/P	Screw, Hex Cap, 3/8-16 x 2.75 GR8
3	710-3103	2	/P	Screw, Hex Cap, 5/16-18 x 2 GR5
4	712-3054	2	/P	Nut, Hex Lock, 3/8-24 GR5
5	712-0431	2	S	Nut, Hex Flanged Lock, 3/8-16
6	712-0711	4	/P	Nut, Hex Jam, 3/8-24 GR2
7	712-3004A	2	/P	Nut, Hex Flange Top Lock, 5/16-18
8	712-3083	1	/P	Nut, Hex Top Nylon Lock, 1/2-13
9	719-3095	1		Axle, Front Pivot
10	723-0156	4	S	Joint, Ball, 3/8-24
11	736-0188	2	/P	Washer, Flat, .760 x 1.49 x .06 Thk.
12	737-3000	3	S	Fitting, Lube, 3/16 Drive Type
13	738-3110	1	S	Bolt, Pivot Shoulder, 3/4 Dia x 2.23
14	747-3171	2		Rod, Tie
15	748-3049	2		Arm, Steering



2518-44 Tractor
Front Wheel

Page 53 of 89

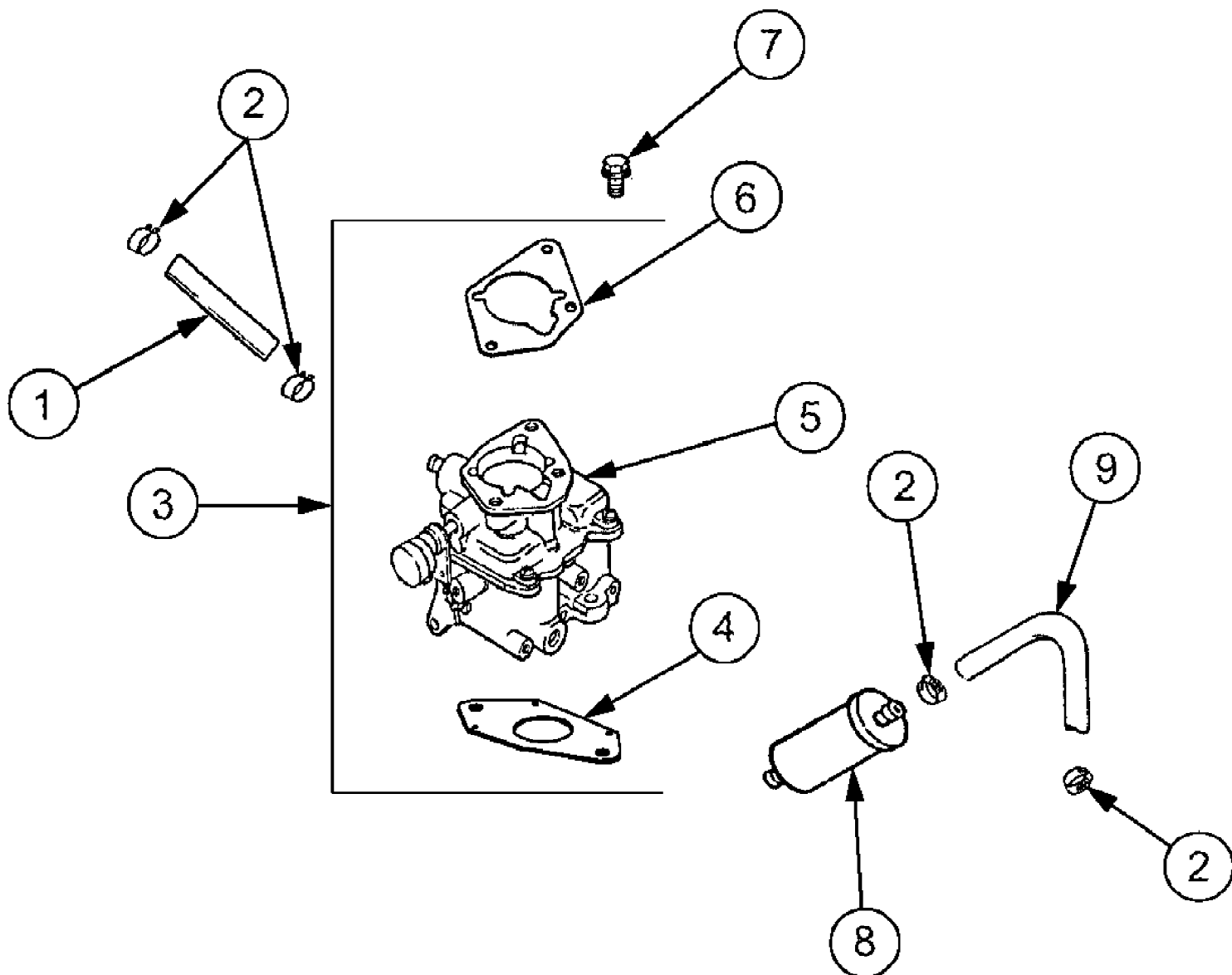
Ref #	Part Number	Qty	S/P/F	Description
	734-3187	2	S	Tire, Cub Tread, 16 x 6.5 x 8
1	634-3016-0499	2	/P	Rim Assy, Front
2	710-3119	2	/P	Bolt, Hex Patch, 3/8-16 x .75 GR5
3	731-3020	2	S	Cap, Hub
4	734-0255	2	S	Valve, Tubeless Air
5	736-3039	2	S	Washer, Flat, .406 x 1.5 x .110
6	736-3040	2	/P	Washer, Flat, .406 x 1.92 x .06
7	737-0224	2		Fitting, Grease
8	741-3032	4	S	Bearing, Ball



2518-44 Tractor
Fuel System (KH-62588)

Page 55 of 89

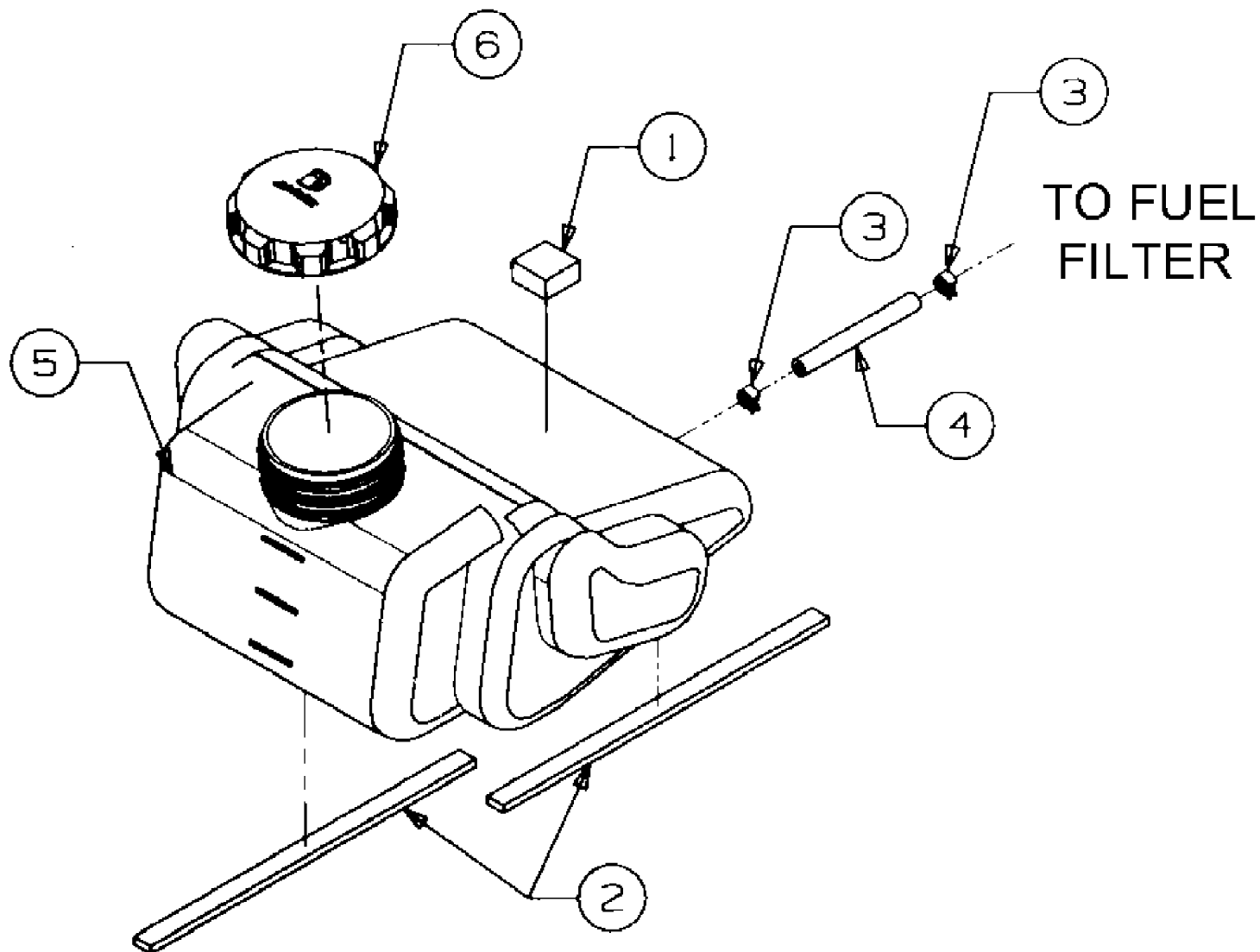
Ref #	Part Number	Qty	S/P/F	Description
1	KH-52-353-20	2	S	Line, Fuel 10"
2	KH-25-237-14-S	4	/P	Clamp, Hose
3	KH-24-853-35	1	/P	Kit, Carburetor w/Gasket (Includes 4-6)
4	KH-24-041-17	1	/P	Gasket, Carburetor
5		1		Carburetor Assembly Not available separately
6	KH-24-041-06	1	/P	Gasket, Air Cleaner Base
7	KH-M-0651030	2	/P	Screw, Hex Flange
8	KH-24-050-02	1	S	Filter, Fuel
9	KH-24-353-12	1		Line, Fuel 11"
10	KH-24-086-05	1		Screw, Throttle Stop
	723-3066-14	1	S	Insulator, Foam Fuel Line Not Illustrated
	KH-24-757-01	1	/P	Kit, Solenoid Solenoid Not Illustrated; Includes Screw [qty. 2], O-Ring, O-Ring, O-Ring, Solenoid Assembly & Solenoid Seat.
	KH-24-757-02	1	S	Kit, Float Repair Not Illustrated; Includes Carburetor Body Gasket, Float Screw, Float Assembly and Float Shaft.
	KH-24-757-03	1	S	Kit, Carburetor Repair Not Illustrated; Includes Carburetor Gasket; Carburetor Body Screw; Idle Needle Spring; U-Ring; Slow Jet O-Ring; Main Jet Screw O-Ring; Solenoid O-Rings; Inlet Needle Valve Clip; Idle Needle and Inlet Needle Valve.
	KH-24-757-07	1		Kit, Choke Repair Not Illustrated; Includes Choke Plate Screws; Choke Spring; Choke Lever; Choke Shaft; Choke Plate; Choke Bushings; and Choke Lever Cap.
	KH-62588	1	/P	Complete Engine



2518-44 Tractor
Fuel System (KH-64638)

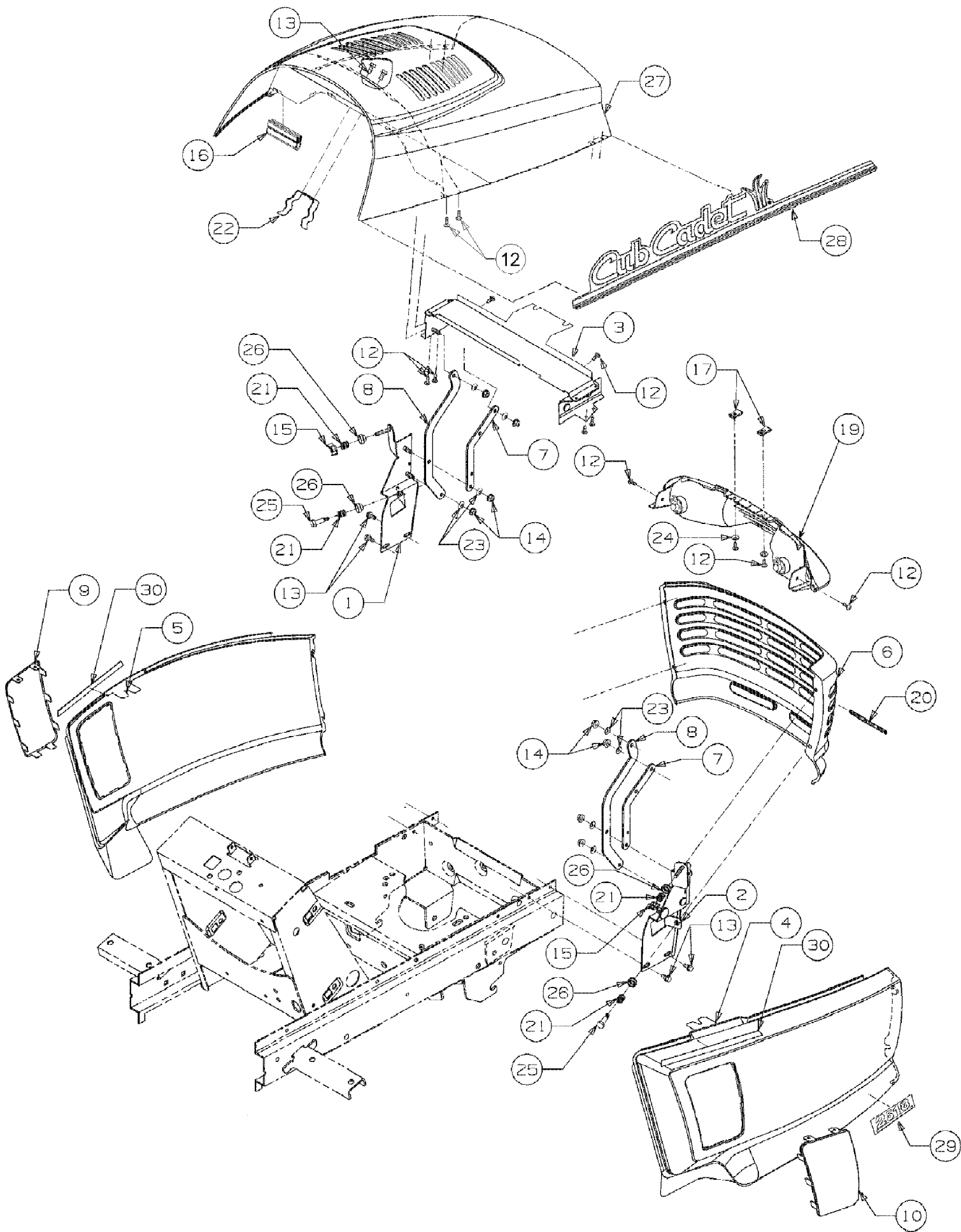
Page 57 of 89

Ref #	Part Number	Qty	S/P/F	Description
1	KH-52-353-20	2	S	Line, Fuel 10"
2	KH-25-237-14-S	4	/P	Clamp, Hose
3	KH-24-853-32-S	1		Kit, Carburetor w/Gasket (Includes 4-6)
4	KH-24-041-53-S	1		Gasket, Carburetor
5		1		Carburetor Assembly Not available separately
6	KH-24-041-06	1	/P	Gasket, Air Cleaner Base
7	KH-M-651025-S	2		Screw, Hex Flange, M6 x 1.0 x 25
8	KH-24-050-02	1	S	Filter, Fuel
9	KH-24-353-12	1		Line, Fuel 11"
	723-3066-14	1	S	Insulator, Foam Fuel Line Not Illustrated
	KH-24-518-24-S	1		Lead, Ground Not Illustrated
	KH-24-757-01	1	/P	Kit, Solenoid - Not Illustrated; Includes Solenoid Screw [qty. 2], O-Ring, O-Ring, O-Ring, Solenoid Assembly & Solenoid Seat.
	KH-24-757-02	1	S	Kit, Float Repair - Not Illustrated; Includes Carburetor Body Gasket, Float Screw, Float Assembly and Float Shaft.
	KH-24-757-03	1	S	Kit, Carburetor Repair - Not Illustrated; Includes Carburetor Gasket; Carburetor Body Screw; Idle Needle Spring; U-Ring; Slow Jet O-Ring; Main Jet Screw O-Ring; Solenoid O-Rings; Inlet Needle Valve Clip; Idle Needle and Inlet Needle Valve.
	KH-24-757-07	1		Kit, Choke Repair - Not Illustrated; Includes Choke Plate Screws; Choke Spring; Choke Lever; Choke Shaft; Choke Plate; Choke Bushings; and Choke Lever Cap.
	KH-24-755-125-S	1		Kit, High Altitude Not Illustrated
	KH-64638	1	S	Complete Engine



2518-44 Tractor
Fuel Tank

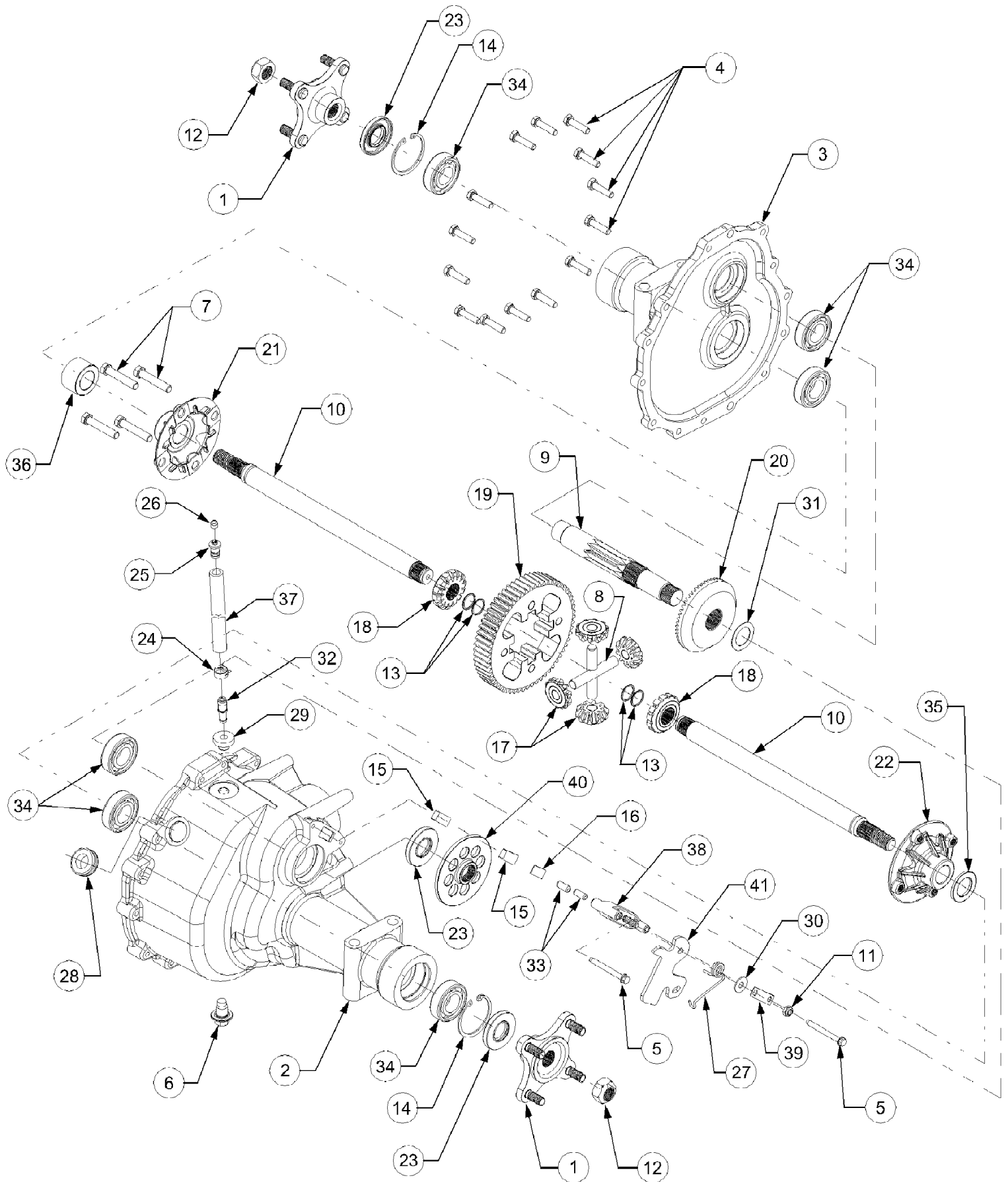
Ref #	Part Number	Qty	S/P/F	Description
1	722-3020	AR		Foam, 1.25 Sq x .62 Thk
2	722-3022	AR	S	Tape, Foam, .625 Wide x .25 Thk
3	726-0205	2	/P	Clamp, Hose
4	759-3330	1	/P	Line, Fuel, 72" (Shipped In 10ft Length)
5	751-3112B	1	/P	Tank, Fuel
6	751-3124B	1	S	Cap, Fuel
	723-3066	1	S	Insulator, Foam Fuel Line Not Shown



2518-44 Tractor
Grille, Hood And Side Panels

Page 61 of 89

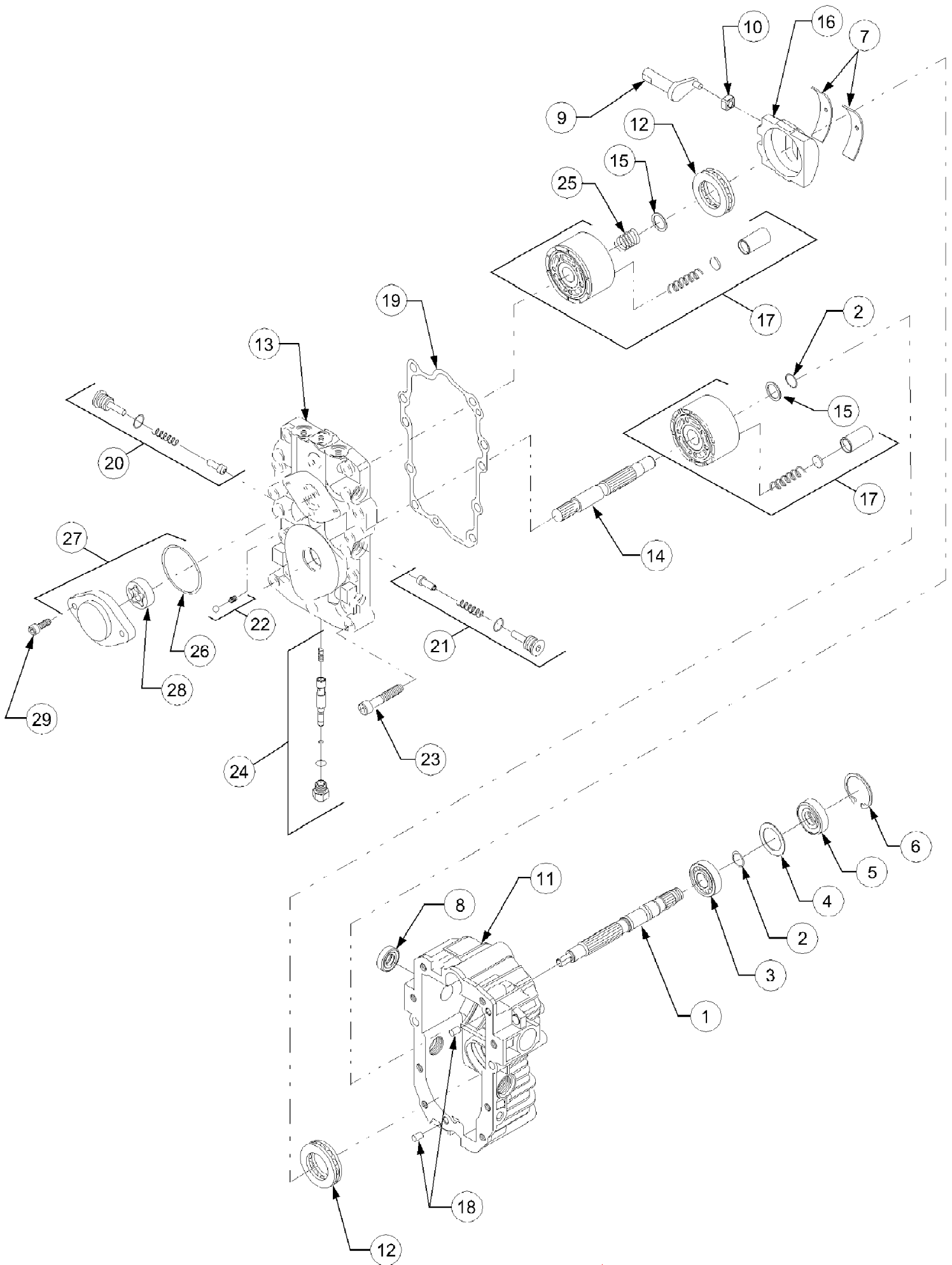
Ref #	Part Number	Qty	S/P/F	Description
1	603-0211	1		Bracket, Grille LH
2	603-0212	1	S	Bracket, Grille RH
3	603-0583-0499	1	S	Bracket, Upper Hood
4	703-2396-0499	1	/P	Panel, RH Side
5	703-2397-0499	1	/P	Panel, LH Side
6	703-2398-0499	1	/P	Grille
7	703-2465	2	/P	Link, Short Hood
8	703-2466A	2	S	Link, Long Hood
9	703-2495-0499	1	/P	Screen, LH Panel
10	703-2496-0499	1	/P	Screen, RH Panel
12	710-0351	12	/P	Screw, Truss Mach Tapp, #10 x .50
13	710-0599	6	/P	Screw, Hex Wash Hd Tapp, 1/4 x .5
14	712-3027	8	S	Nut, Hex Flange Lock, 1/4-20
15	712-3087	2	/P	Nut, Wing, 1/4-20
16	723-3059	1	/P	Seal, Heat Baffle
17	726-0139	2	/P	Nut, U-Type Speed, #10
19	625-0053	1	S	Headlight Assy (Includes Lamp and Socket
	725-0963	2	S	Lamp, 12V
	725-1649	2	S	Socket, Lamp
20		1		UNKNOWN
21	732-0334	4	S	Spring, Compression, .50 OD x .50
22	732-1178	1		Spring, Hood Latch Replaces 732-0855A
23	736-0175	8	S	Washer, Spring, .265 x .562 x .025
24	736-0400	2	S	Washer, Flat, .218 x .62 x .063
25	738-3141	2	S	Bolt, Shoulder, .31 Dia x .75 Lg
26	748-3055	4	S	Bushing, Tapered
27	959-3747A	1	S	Hood, Series 2000 Used September 15, 2002 and prior
	959-3747B	1		Hood, Series 2000 Used September 16, 2002 and after
28	777D03263	1		Graphic, Hood RH
	777D03264	1		Graphic, Hood LH
29	777D06084	2		Graphic, 2518
30	777X40079	2	/P	Strip, Protective



2518-44 Tractor
Hydro Transmission

Page 63 of 89

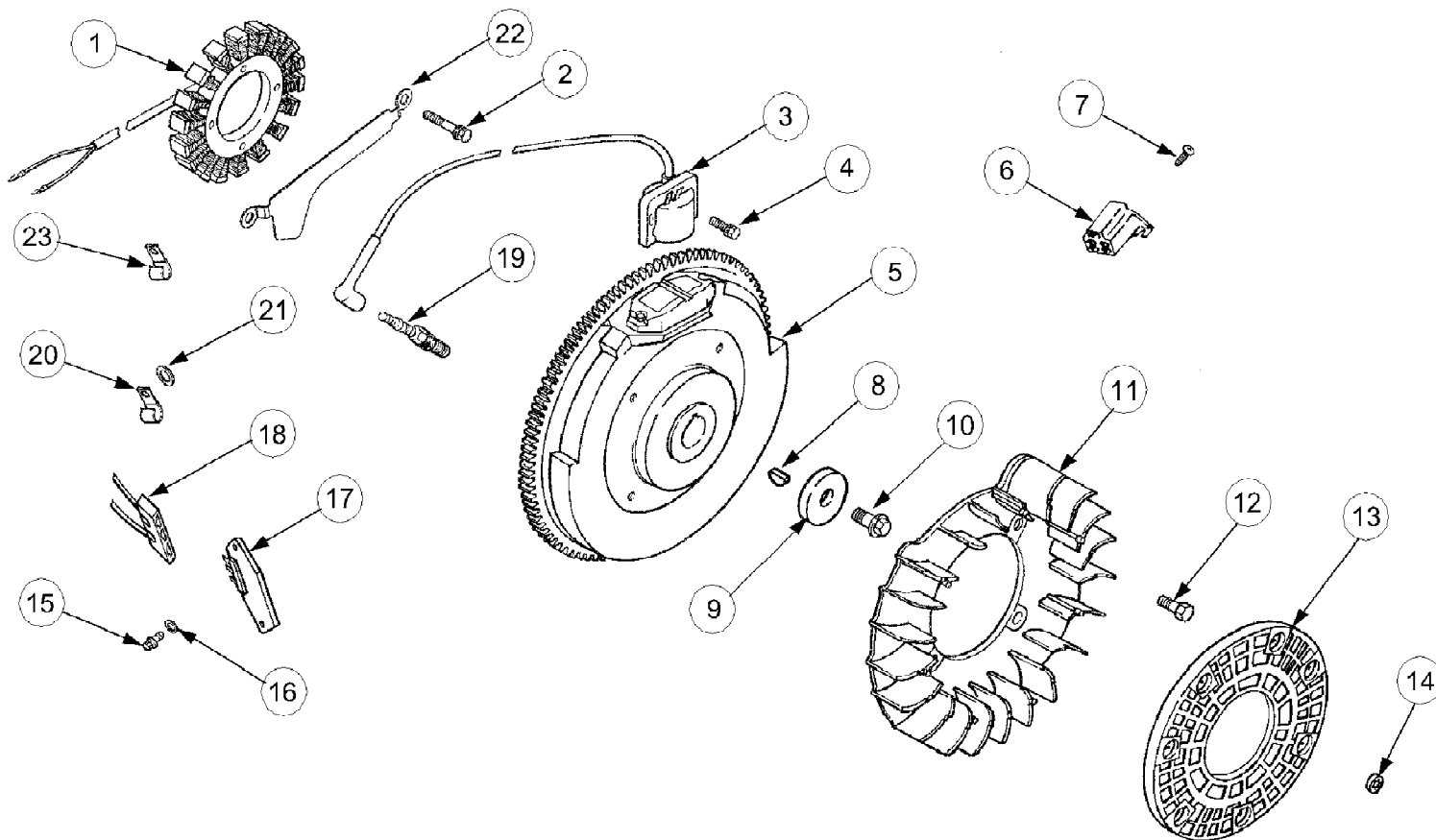
Ref #	Part Number	Qty	S/P/F	Description
	618-04038	1	S	Transmission Assembly, Hydro Does not include Ref Nos. 1 and 12
1	618-0579A	2	/P	Hub Assembly, Wheel
2	619-3071	1		Housing, RH Transmission
3	619-3072	1		Housing, LH Transmission
4	710-0573	14		Screw, Hex Cap Lock, 5/16-18 x 1.25 GR5
5	710-1206	2	/P	Screw, Hex Wash Hd. Tapp, 1/4-20 x 2.375
6	710-1633	1		Screw, Plug, M14 x 1.5 x .827
7	710-1670	4		Screw, Hex Cap Lock, 3/8-24 x 2.0 GR5
8	711-1052A	2		Shaft, Cross, .50 x 3.005
9	711-1385A	1	/P	Shaft, Output, 9T
10	711-1666A	2		Shaft, Axle
11	712-0273	1	S	Nut, Hex Nylon Lock, 5/16-24
12	712-1329	2	/P	Nut, Hex, 3/4-16
13	716-0172	4	S	Ring, Retaining, .75
14	716-0204	2		Ring, Retaining
15	717-0678	2	S	Pad, Brake
16	717-0682	1	S	Plate, Puck
17	717-1446	4	S	Gear, Miter, 10T
18	717-1447	2		Gear, Miter, 14T
19	717-1568	1	S	Gear, Differential Spur, 60T
20	717-3449	1		Gear, Bevel, 54T
21	719-0375	1		Housing, Differential w/Thru Holes
22	719-0378	1		Housing, Differential w/Threads
23	721-0523	3		Seal, Oil, 1.0 x 2.047 x .2755
24	726-0324	1	S	Clamp, Hose
25	731-1480	1	/P	Vent, Plastic
26	731-1481	1		Cap, Plastic Vent
27	732-0925	1		Spring, Torsion
28	735-0277A	1		Grommet, Rubber, .75 x 1.063
29	735-0279	1		Grommet, Rubber, .362 x .56
30	736-0371	1	/P	Washer, Flat, .343 x .88 x .062
31	736-0615	1		Washer, Thrust, 1.007 x 1.542 x .03
32	737-3092	1		Fitting, Tube
33	741-0343	2	S	Pin, Brake Actuating
34	741-3114	6		Bearing, Ball (6205-1)
35	750-3346	1		Spacer, Axle, 1.007 x 1.665 x .141
36	750-3358	1		Spacer, Axle, 1.007 x 1.665 x .989
37	751-0588-8	1		Tube, Transmission Breather
38	761-0207A	1	/P	Yoke, Brake
39	761-0208	1		Bracket, Brake Anti Rotation
40	761-0215	1		Disc, Brake
41	761-3074	1		Arm, Brake Actuator
	759-3958	1		Sealant, Loctite Black, 5.3 oz. Tube
	737-3120	5.5	/P	Drive System Fluid Plus - Quart
	737-3121	AR	/P	Drive System Fluid Plus - Gallon



2518-44 Tractor
Hydrostatic Pump

Page 65 of 89

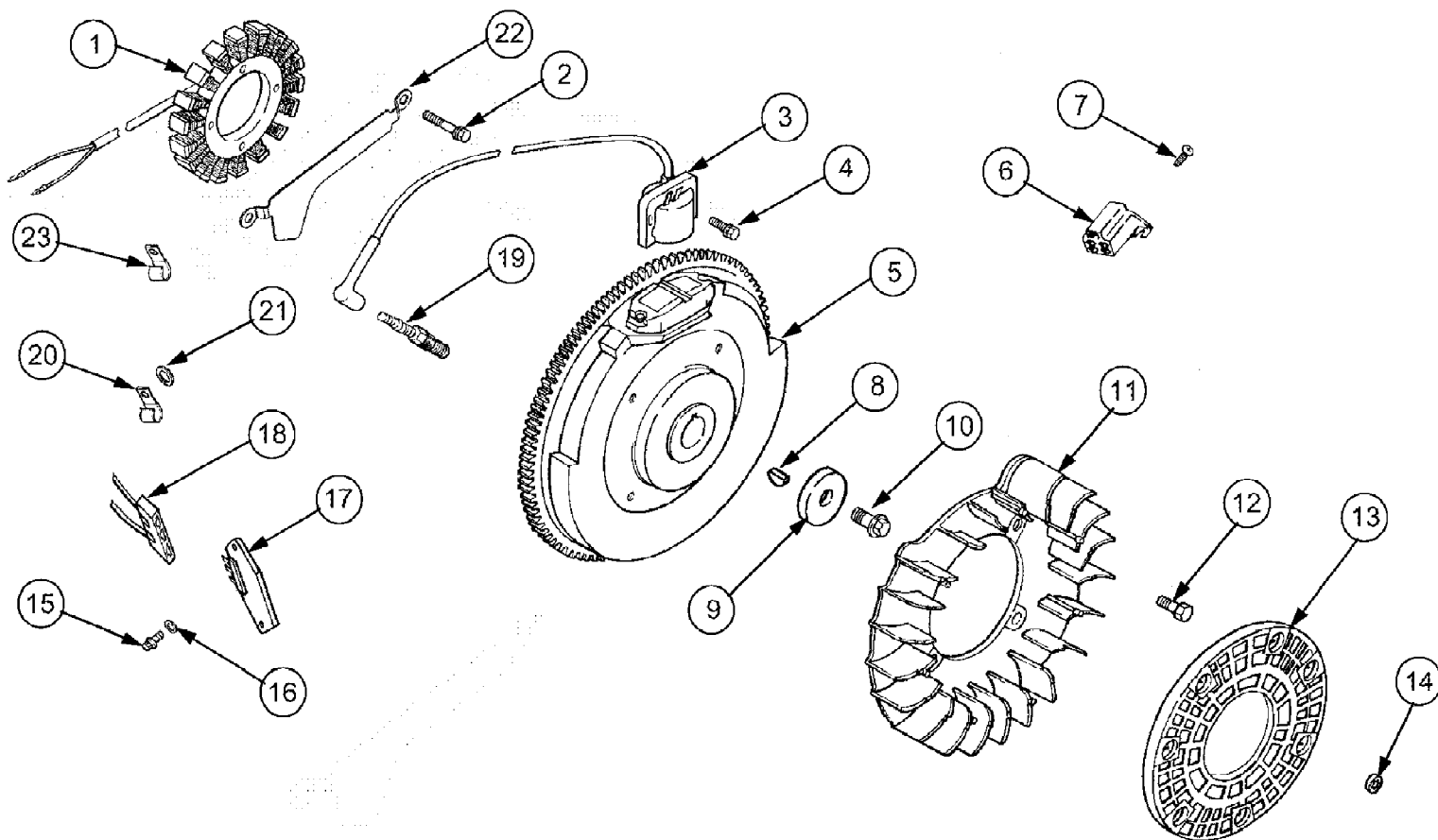
Ref #	Part Number	Qty	S/P/F	Description
1	HG-50158	1		Shaft, Pump
2	HG-2003016	2	/P	Ring, Retaining
3	HG-2003043	1	S	Bearing, Ball
4	HG-2003018	1	/P	Spacer
5	HG-9008000-0128	1	/P	Seal, Lip
6	HG-2003052	1	/P	Ring, Retaining
7	HG-2003023	2	S	Bearing, Cradle
8	HG-9008000-0126	1	/P	Seal, Lip
9	HG-2003005	1	/P	Arm, Trunnion
10	HG-2000015	1	/P	Guide, Slot
11	HG-2513036	1	/P	Housing Kit
12	HG-2003044	2	S	Bearing Assembly, Thrust Ball
13	HG-70444	1		Center Section Kit
14	HG-2003034	1		Shaft, Motor
15	HG-2003017	2	/P	Washer, Block Thrust
16	HG-2003087	1	/P	Swash Plate
17	HG-70079	2	S	Block Assembly
18	HG-9004800-2506	2	/P	Pin
19	HG-2003060	1	/P	Gasket, Center Section
20	HG-2510027	1		Kit, Check Valve
21	HG-2510034	1	/P	Kit, Orificed Check Valve
22	HG-2510011	1	/P	Kit, Charge Relief Valve
23	HG-9007314-0808	8	/P	Screw, Socket Hd
24	HG-2513011	1	/P	Kit, Bypass Valve
25	HG-2003014	1	/P	Spring, Block
26	HG-9004101-1340	1	/P	O-Ring
27	HG-2513027	1	/P	Kit, Charge Pump
28	HG-J1041008	1	S	Gerotor Assy
29	HG-50095	2		Screw, Socket Hd



2518-44 Tractor
Ignition, Electrical And Flywheel (KH-62588)

Page 67 of 89

Ref #	Part Number	Qty	S/P/F	Description
1	KH-54-755-09	1	S	Stator Kit, 15 Amp (Incl. Ref #22)
2	KH-M-0548025	2		Screw, Stator Mtg. M5 x .8 x 25
3	KH-24-584-01	2	S	Module, Ignition
4	KH-M-0545020	4	/P	Screw, Module M5 x .8 x 20
5	KH-24-025-04	1	S	Flywheel Assembly
6	KH-25-155-06	1		Connector
7	KH-X-67-3	2	S	Screw, Hex Sems #10-16 x 1/2
8	KH-X-42-15	1	/P	Key
9	KH-12-468-03	1	/P	Washer, Flywheel Mtg. Screw
10	KH-12-086-14	1		Screw, Flywheel Mtg, M10x1.5 x 46
11	KH-24-157-01	1	S	Fan
12	KH-25-086-47	4	/P	Bolt, Shoulder
13	KH-24-162-02	1		Screen, Grass
14	KH-24-018-03	3	S	Retainer
15	KH-24-086-18	2		Screw Phillips Hd., #11-16 x .875
16	KH-X-25-92	2		Washer, Plain
17	KH-25-403-03	1	S	Regulator - Rectifier
18	KH-236602	1	S	Connector, Regulator-Rectifier
19	759-3336	2	/P	Spark Plug
20	KH-235173	1		Clip, Cable
21	KH-X-25-63	1	/P	Washer, Plain 1/4"
22	KH-24-126-71	1		Bracket, Stator Wire
23	KH-48-154-02	1		Clip, Cable
	KH-24-176-08	1	S	Harness, Wire
	KH-24-518-12-S	1	/P	Lead
	KH-62588	1	/P	Complete Engine

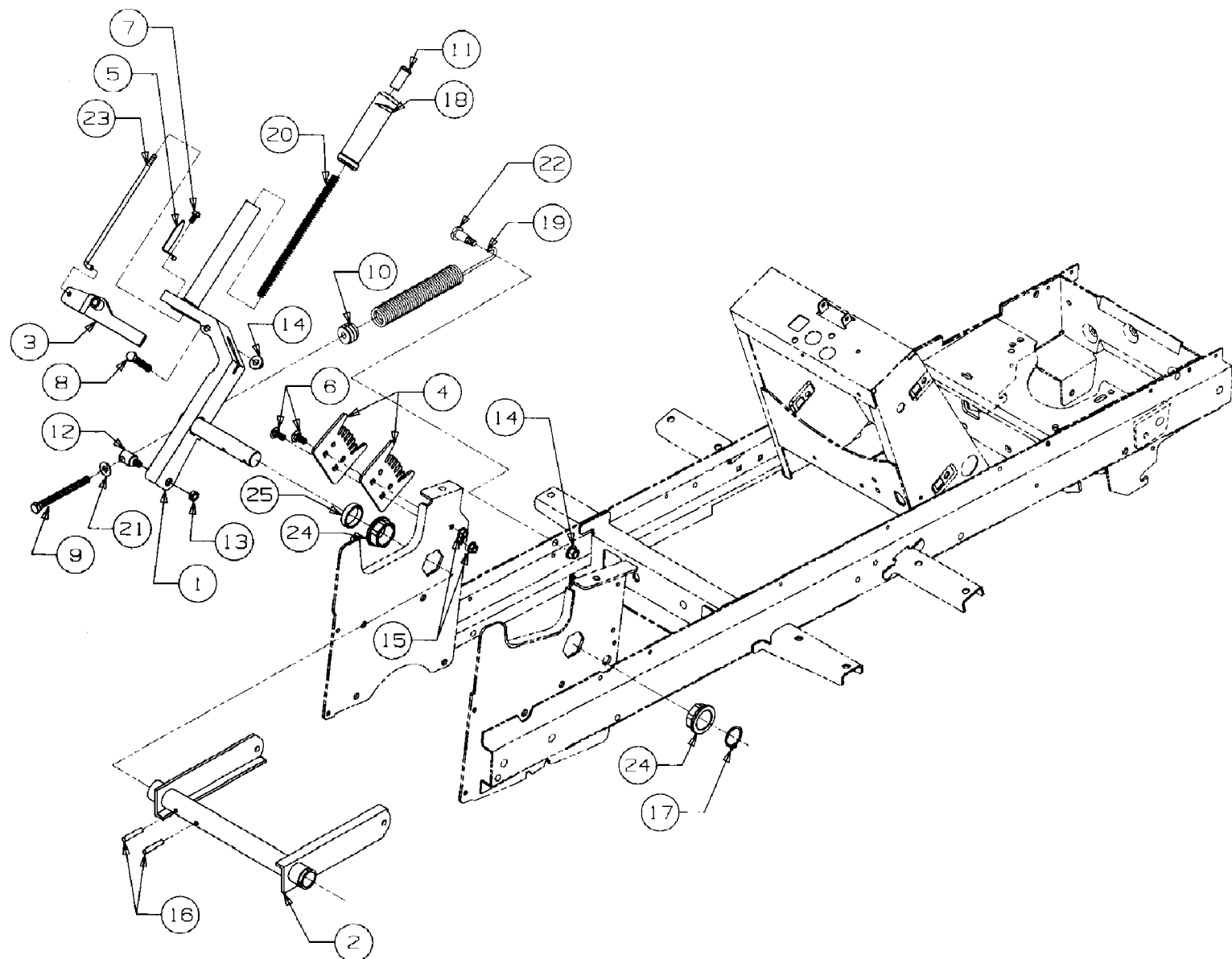


2518-44 Tractor
Ignition, Electrical And Flywheel (KH-64638)

Page 69 of 89

Ref #	Part Number	Qty	S/P/F	Description
1	KH-54-755-09	1	S	Stator Kit, 15 Amp (Incl. Ref #22)
2	KH-M-0548025	2		Screw, Stator Mtg. M5 x .8 x 25
3	KH-24-584-25-S	2		Module, Ignition
4	KH-M-561025-S	4		Screw, Module M6 x .8 x 25
5	KH-24-025-04	1	S	Flywheel Assembly
6	KH-25-155-06	1		Connector
7	KH-25-086-91-S	2	/P	Screw
8	KH-X-42-15	1	/P	Key
9	KH-12-468-03	1	/P	Washer, Flywheel Mtg. Screw
10	KH-12-086-14	1		Screw, Flywheel Mtg, M10x1.5 x 46
11	KH-24-157-01	1	S	Fan
12	KH-25-086-47	4	/P	Bolt, Shoulder
13	KH-24-162-02	1		Screen, Grass
14	KH-24-018-03	3	S	Retainer
15	KH-24-086-18	2		Screw Phillips Hd., #11-16 x .875
16	KH-X-25-92	2		Washer, Plain
17	KH-25-403-03	1	S	Regulator - Rectifier
18	KH-236602	1	S	Connector, Regulator-Rectifier
19	759-3336	2	/P	Spark Plug
20	KH-235173	1		Clip, Cable
21	KH-X-25-63	1	/P	Washer, Plain 1/4"
22	KH-24-126-71	1		Bracket, Stator Wire
23	KH-48-154-02	1		Clip, Cable
	KH-24-176-08	1	S	Harness, Wire
	KH-24-518-12-S	1	/P	Lead
	KH-X-22-11-S	1		Washer, Lock
	KH-64638	1	S	Complete Engine

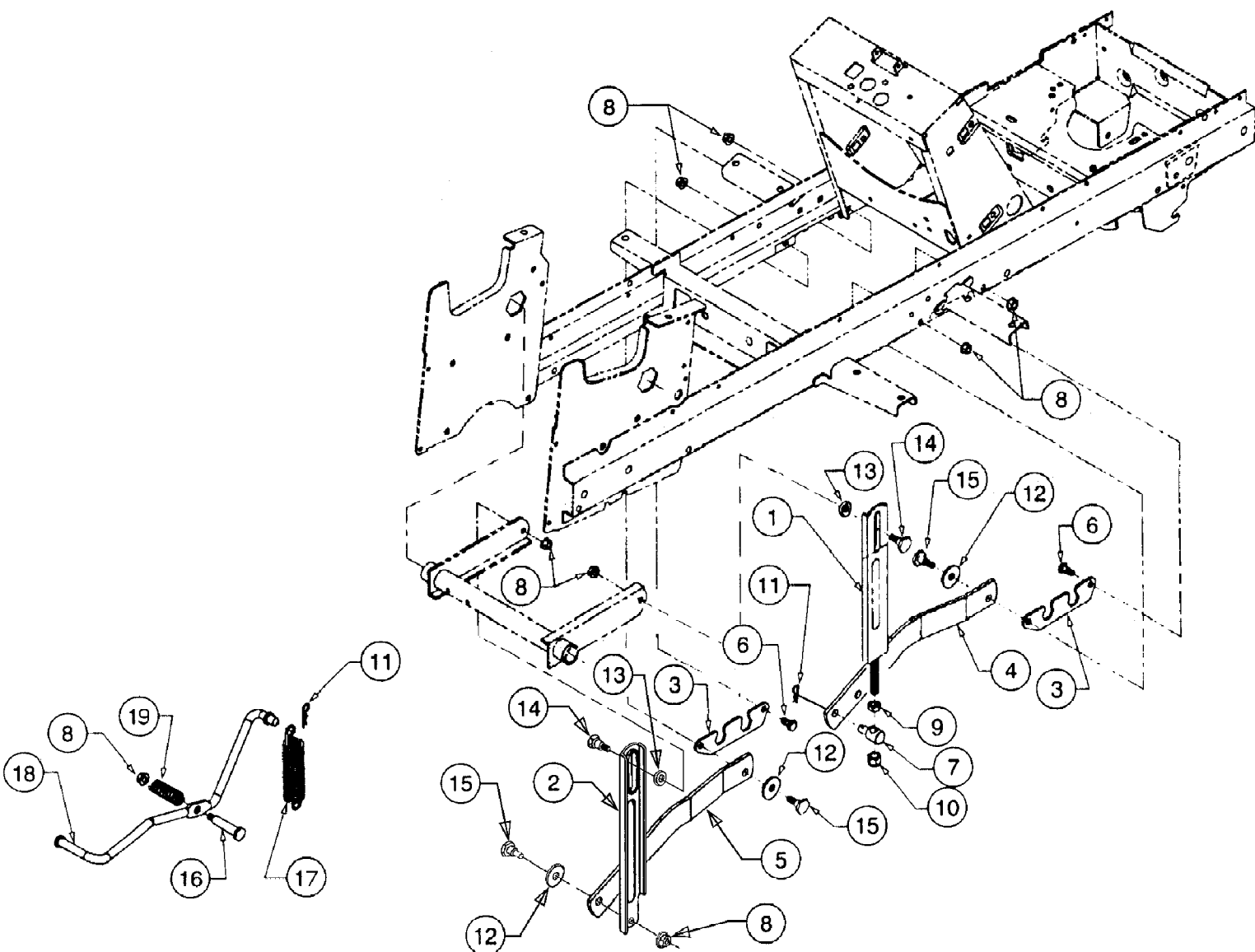
2518-44 Tractor
Implement Lift Handle



2518-44 Tractor
Implement Lift Handle

Page 71 of 89

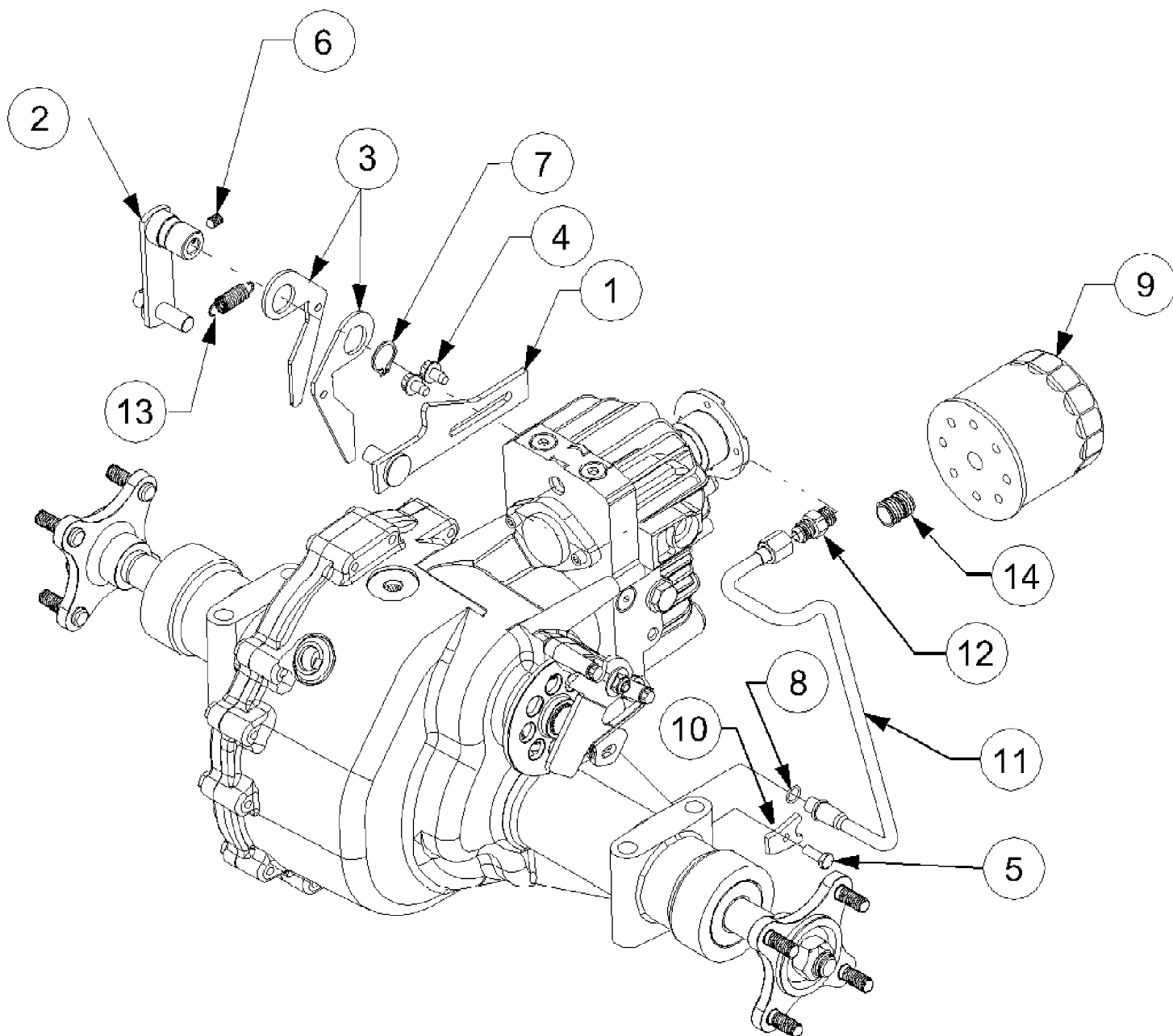
Ref #	Part Number	Qty	S/P/F	Description
1	603-0057A-0716	1	S	Handle Assembly, Lift
2	603-0059A-0716	1	/P	Shaft Assembly, Lift
3	603-0136	1		Fork, Lift
4	703-2239	2	S	Bracket, Lift Index
5	703-2558	1		Indicator, Lift Height
6	710-0451	2	/P	Bolt, Carriage, 5/16-18 x .75
7	710-0599	1	/P	Screw, Hex Wash Tapp, 1/4 x .5
8	710-3144	1	/P	Screw, Hex Cap, 3/8-16 x 2 GR5
9	710-3279	1	/P	Screw, Hex Cap, 3/8-16 x 4.25 GR5
10	711-0635	1	/P	Insert, Spring
11	711-0642A	1	/P	Button, Handle
12	711-3350	1		Ferrule, Adjustment
13	712-0262	1	/P	Nut, Hex Lock, Jam, 3/8-24
14	712-0431	2	S	Nut, Hex Flanged Lock, 3/8-16
15	712-3004A	2	/P	Nut, Hex Flanged Lock, 5/16-18
16	715-0114A	2	S	Pin, Spiral Spring, 1/4 Dia x 1.5
17	716-0116	1	/P	Ring, Snap, 1.25 Dia Shaft
18	731-3158	1	/P	Grip, Lift Handle
19	732-3093	1		Spring, Extension
20	732-3097	1		Spring, Compression
21	736-0267	1	S	Washer, Flat, .385 x .87 x .06
22	738-0145	1	S	Bolt, Shoulder
23	747-3175	1	S	Rod, Index
24	748-3051	2	S	Bearing, Hex Flange, 1.25 ID
25	750-3131	1		Spacer 1.28 ID x 1.5 OD x .335 Lg



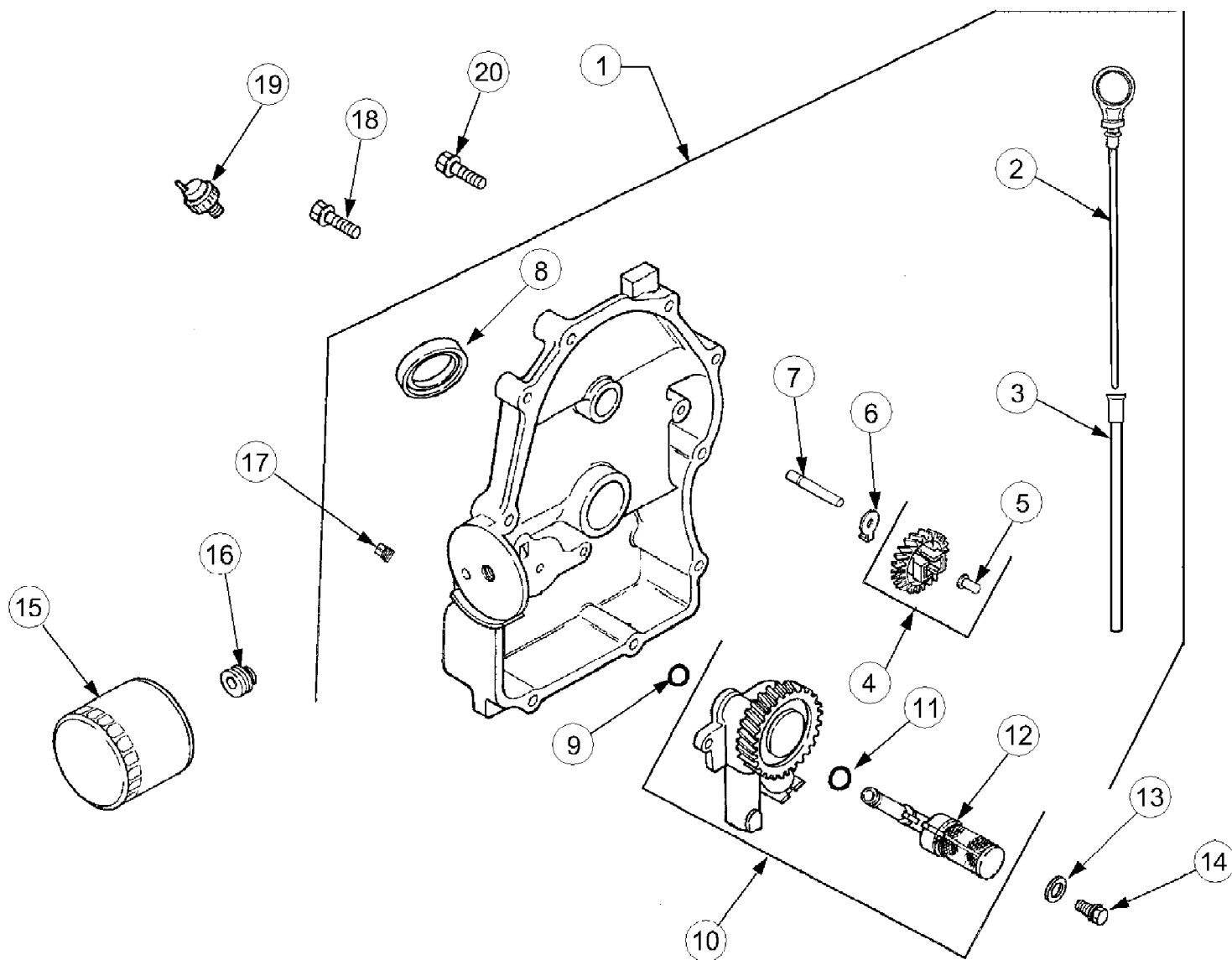
2518-44 Tractor
Implement Lift Hanger

Page 73 of 89

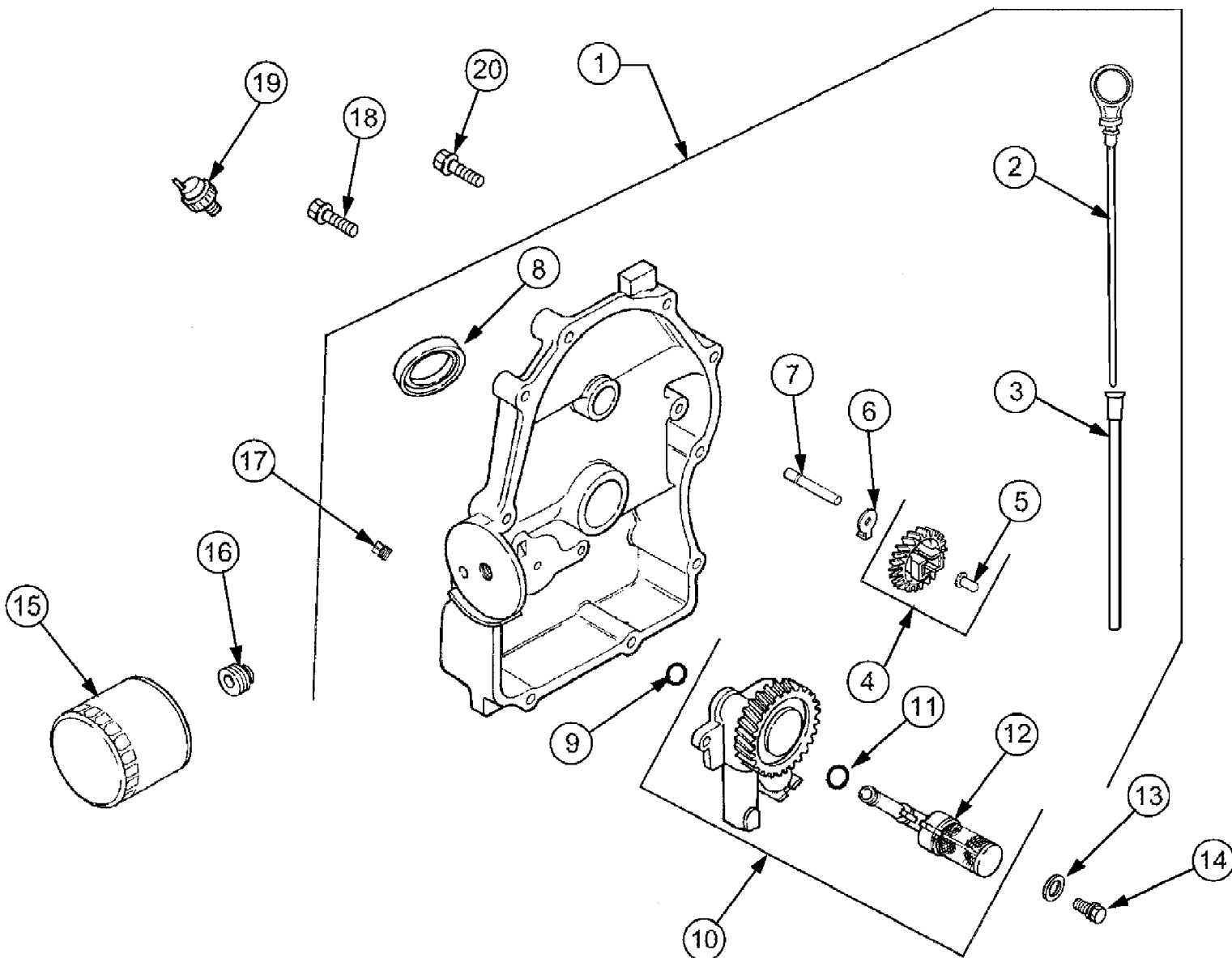
Ref #	Part Number	Qty	S/P/F	Description
1	603-0058	1		Bracket, RH Hanger
2	703-2234	1		Bracket, LH Hanger
3	703-2804	2		Plate, Bearing Mounting
4	703-2832	1		Link, RH Lift
5	703-2833	1		Link, LH Lift
6	710-0216	2	/P	Screw, Hex Cap, 3/8-16 x .75 GR5
7	711-3319	1	S	Ferrule, Adjustment
8	712-0431	8	S	Nut, Hex Flange Lock, 3/8-16
9	712-3048	1	S	Nut, Hex Jam, 1/2-13 GR5
10	712-3083	1	/P	Nut, Hex Insert Lock, 1/2-13
11	714-0145	2	S	Pin, Internal Cotter
12	736-0326	3	S	Washer, Flat, .5 x 1.5 x .15
13	736-3069	2		Washer, Flat, .531 x .875 x .15
14	738-0430	2		Bolt, Shoulder
15	738-0507B	3	S	Bolt, Shoulder
16	738-0129	2	/P	Bolt, Shoulder
17	732-3126	1	S	Spring, Ext., .91" OD x 7.33
18	747-3236A	1	/P	Rod, RH Lift Assist
19	732-3094	2	S	Spring, Compression, .63 ID x 2



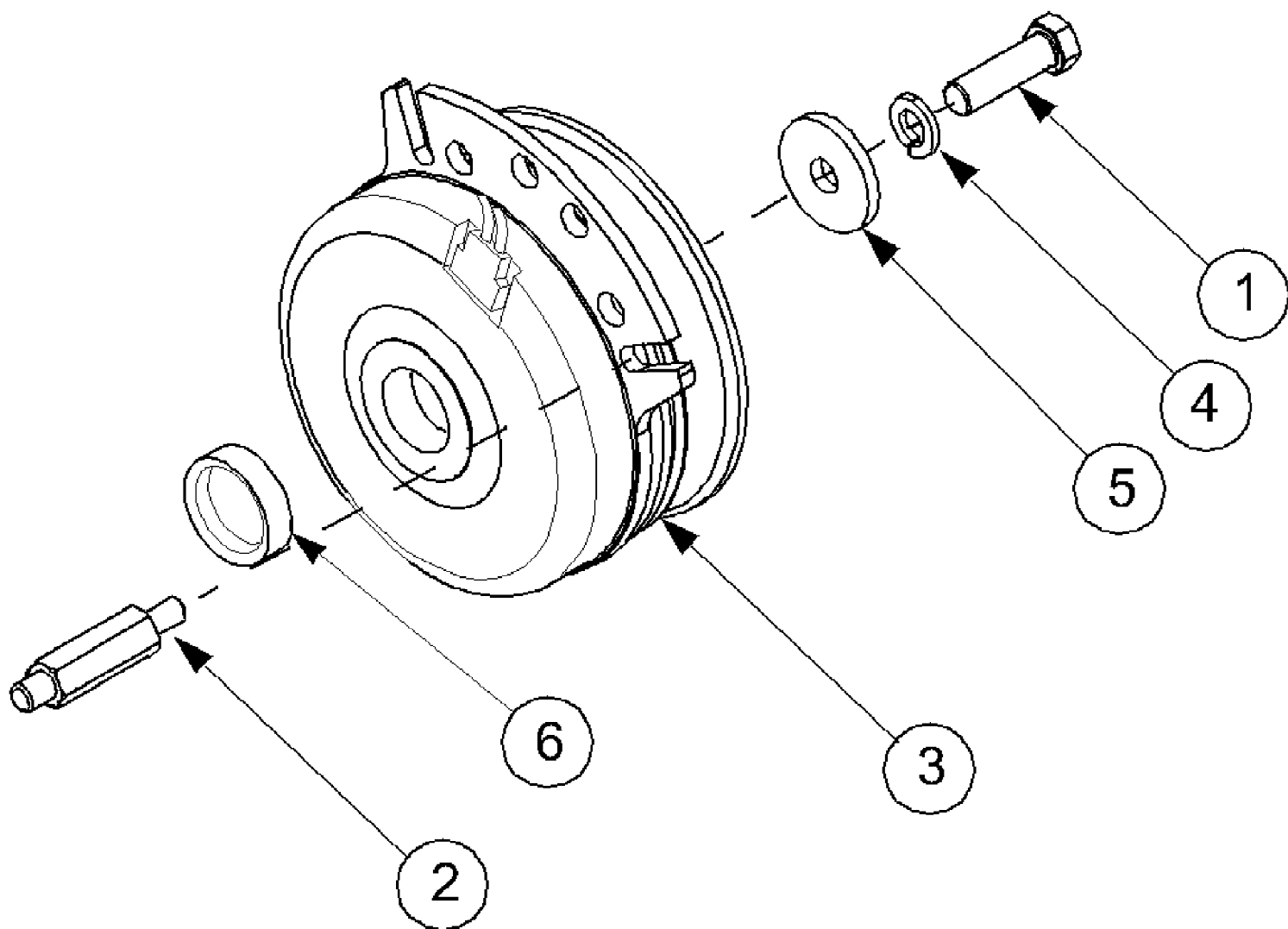
Ref #	Part Number	Qty	S/P/F	Description
1	603-0732	1		Bracket, Neutral Return
2	603-0737	1		Arm Assembly, Control
3	703-2441	2		Arm, Neutral
4	710-0607	2	/P	Screw, Hex Wash Hd Tapp, 5/16-18 x .50
5	710-3015	1	/P	Screw, Hex Cap, 1/4-20 x .75 GR5
6	710-3242	1		Screw, Set w/Lock Patch, 5/16 x .50
7	716-0111	1	/P	Ring, Snap, .875 Shaft
8	721-0459	1		O-Ring, .426 ID x .566 OD x .07
9	723-3014	1	S	Filter, Oil
10	726-0295	1		Clamp, Tube, .50
11	727-0636	1		Tube, Hydro Pickup
12	727-0637	1		Fitting, Hydraulic Straight
	927-3002	1	/P	Fitting, Hydraulic Swivel
13	732-3125	1		Spring, Extension .477 OD x 1.68 Lg
	732-3119	1	S	Spring, Extension .50 OD x 1.97 Lg
14	737-3022	1	S	Nipple, Oil Filter



Ref #	Part Number	Qty	S/P/F	Description
1	KH-54-009-07	1		Plate Assy, Closure (Incl. Ref #2-12, 17)
2	KH-24-038-10-S	1	/P	Dipstick
3	KH-24-755-121-S	1	/P	Tube, Dipstick (Includes 2)
4	KH-24-043-12	1	/P	Kit, Governor Gear (Incl. Ref #5)
5	KH-12-380-01	1	/P	Pin, Governor Regulating
6	KH-52-448-02	1	S	Tab, Locking
7	KH-12-144-02	1		Shaft, Governor Gear
8	KH-52-032-08	1	S	Seal, Oil (PTO end)
9	KH-24-153-08	1		O-Ring
10	KH-24-393-10	1	S	Oil Pump Assy (Incl. Ref #11-12)
11	KH-24-153-01	1	/P	O-Ring, Oil Pick-up
12	KH-24-381-04	1		Pick-up, Oil
13	KH-M-0631005	2	S	Washer, Plain
14	KH-M-0645025	2	S	Screw, Hex Flange, M6 x 1.0 x 25
15	KH-12-050-08	1	S	Filter, Oil
16	KH-24-136-01	1		Nipple, Oil Filter
17	KH-24-139-60-S	2		Plug, Pipe 1/8
18	KH-24-086-16	9	S	Screw, Hex Flange, M8 x 1.25 x 45
19	KH-25-099-24	1	S	Switch, Pressure
20	KH-24-086-17	1	S	Screw, Hex Flange, M8 x 1.25 x 45
	KH-62588	1	/P	Complete Engine

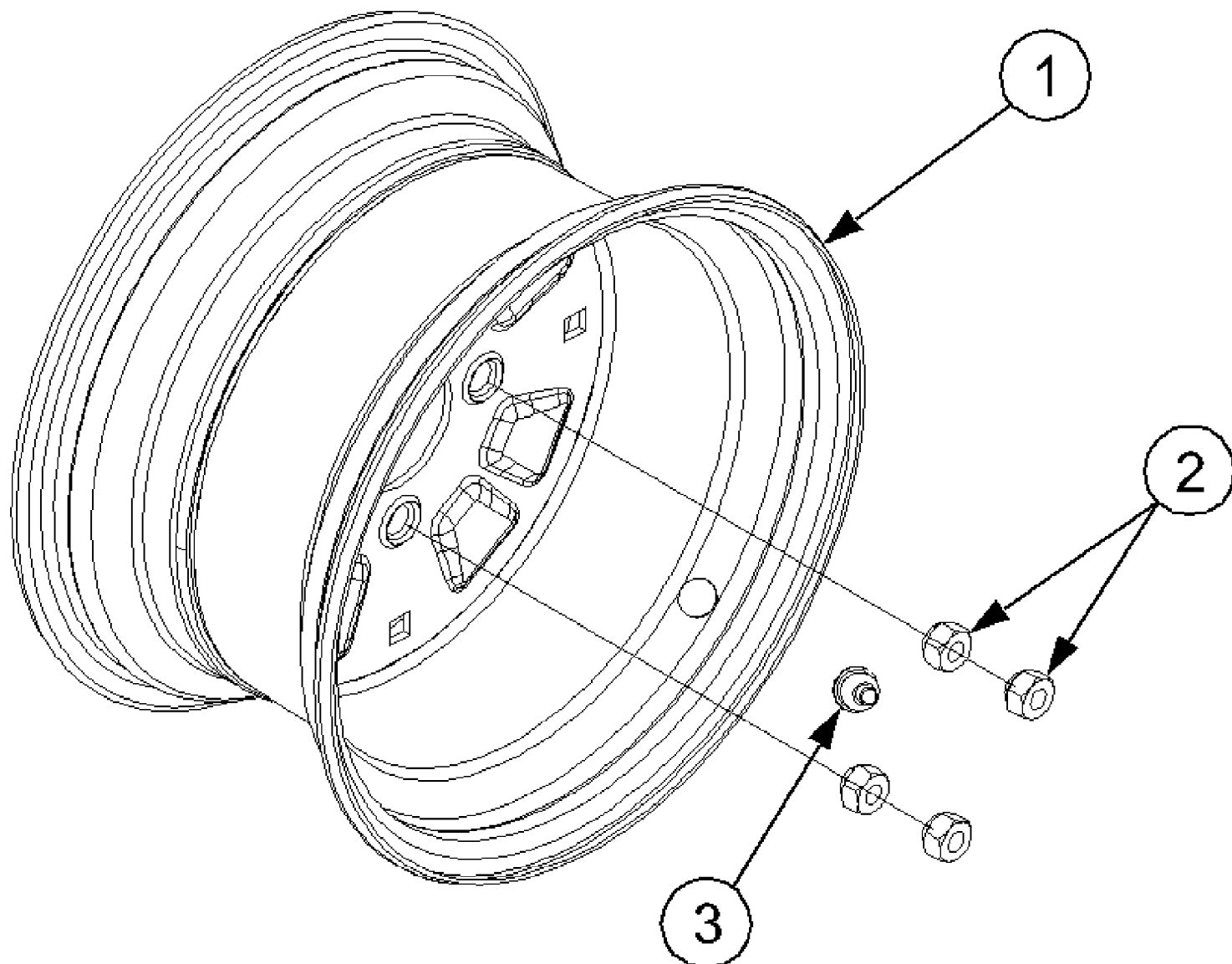


Ref #	Part Number	Qty	S/P/F	Description
1	KH-24-009-83-S	1	S	Plate Assy, Closure (Incl. Ref #2-12, 17)
2	KH-24-038-10-S	1	/P	Dipstick
3	KH-24-755-121-S	1	/P	Tube, Dipstick (Includes 2)
4	KH-24-043-12	1	/P	Kit, Governor Gear (Incl. Ref #5)
5	KH-12-380-01	1	/P	Pin, Governor Regulating
6	KH-52-448-02	1	S	Tab, Locking
7	KH-12-144-02	1		Shaft, Governor Gear
8	KH-52-032-08	1	S	Seal, Oil (PTO end)
9	KH-24-153-08	1		O-Ring
10	KH-24-393-10	1	S	Oil Pump Assy (Incl. Ref #11-12)
11	KH-24-153-01	1	/P	O-Ring, Oil Pick-up
12	KH-24-381-04	1		Pick-up, Oil
13	KH-M-0631005	2	S	Washer, Plain
14	KH-M-0645025	2	S	Screw, Hex Flange, M6 x 1.0 x 25
15	KH-12-050-08	1	S	Filter, Oil
16	KH-24-136-01	1		Nipple, Oil Filter
17	KH-25-139-60-S	2	/P	Plug, Pipe 1/8
18	KH-24-086-16	9	S	Screw, Hex Flange, M8 x 1.25 x 45
19	KH-25-099-24	1	S	Switch, Pressure
20	KH-24-086-17	1	S	Screw, Hex Flange, M8 x 1.25 x 45
	KH-64638	1	S	Complete Engine



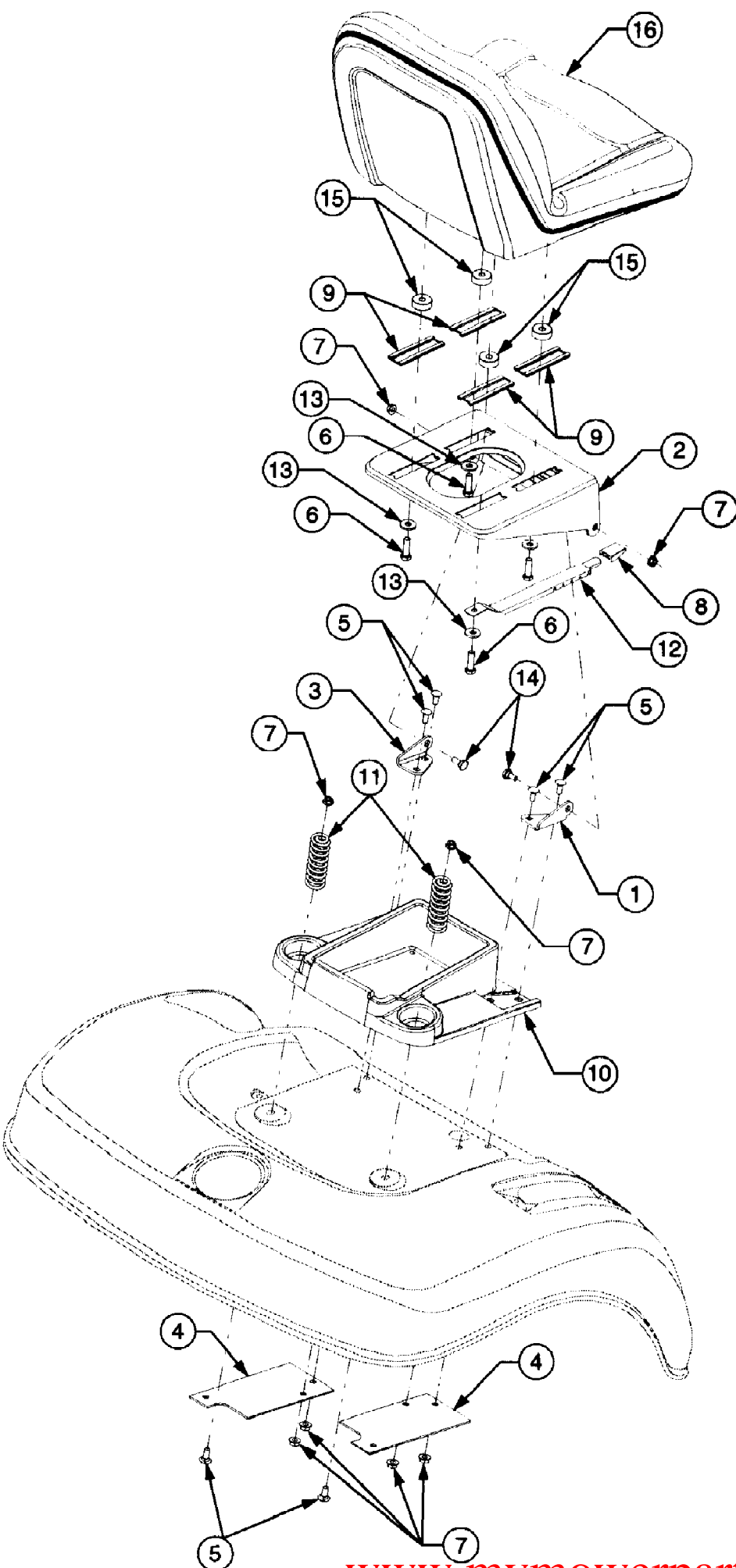
2518-44 Tractor
PTO Clutch

Ref #	Part Number	Qty	S/P/F	Description
1	710-0757	1	/P	Screw, Hex Cap, 7/16-20 x 1.5 GR5
2	711-1083	1	S	Stud, Clutch Stop
3	717-3403	1	S	Clutch Assy, PTO
4	736-0171	1	S	Washer, Lock, 3/8
5	736-3082A	1	/P	Washer, Flat, .445 x 1.5 x 1.72 Hdn
6	750-3356	1		Spacer



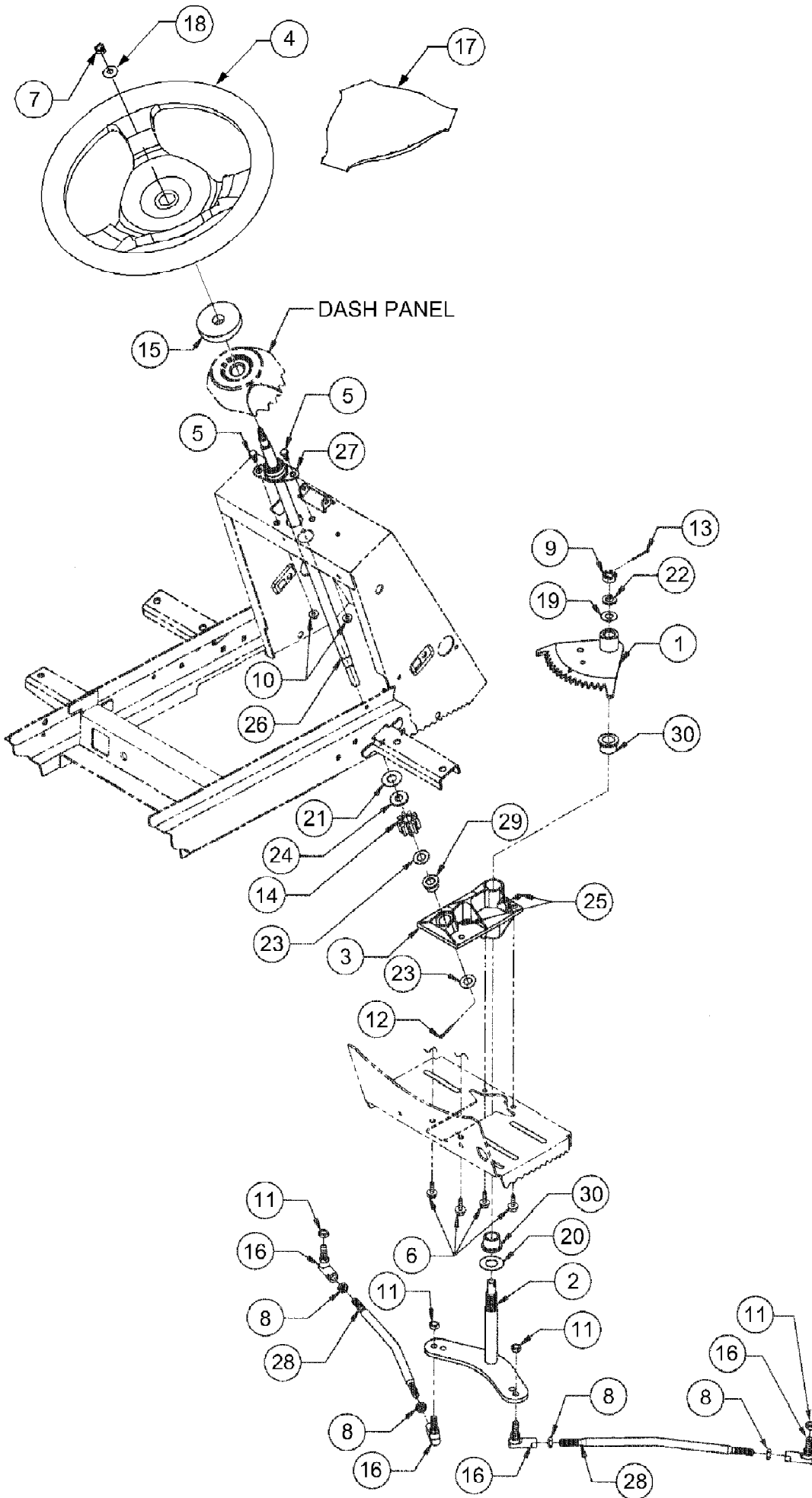
2518-44 Tractor
Rear Wheel

Ref #	Part Number	Qty	S/P/F	Description
	734-3190	2	S	Tire, Cub Tread, 23 x 9.5 x 12
1	634-3189-0499	2		Rim Assy, Rear
2	712-3050	8	/P	Nut, Lug, 7/16-14
3	734-0255	2	S	Valve, Tubeless Air



Ref #	Part Number	Qty	S/P/F	Description
1	703-2394	1		Bracket, RH Seat Pivot
2	703-2395A	1	/P	Seat, Base
	777I20310	1		Graphic, Seat Adjuster
3	703-2477	1		Bracket, LH Seat Pivot
4	703-2628	2		Bracket, Fender Reinforcement
5	710-0451	6	/P	Bolt, Carriage, 5/16-18 x .75
6	710-3123	4		Screw, Hx Cap Lock, 3/8-16 x 1.25 GR5
7	712-3004A	8	/P	Nut, Hex Flange Lock, 5/16-18
8	720-0190	1	S	Knob, Seat Adjuster
9	731-3154	4		Slide, Seat
10	731-3162	1	S	Tray, Tool
11	732-3080A	2	/P	Spring, Comp, 1.9 OD x 2.4
12	732-3098	1		Adjuster, Seat
13	736-3052	4	/P	Washer, Flat, .406 x 1.0 x .105
14	738-0140	2	S	Bolt, Shoulder
15	738-04013A	4	S	Spacer, Seat Slide Shoulder
16	757-04005	1	S	Seat, High Back Cub Cadet
	757-3004	1	S	Seat, High Back
	777D04541	1		Graphic, Seat Back
	777D01782	1	/P	Graphic, Made in USA

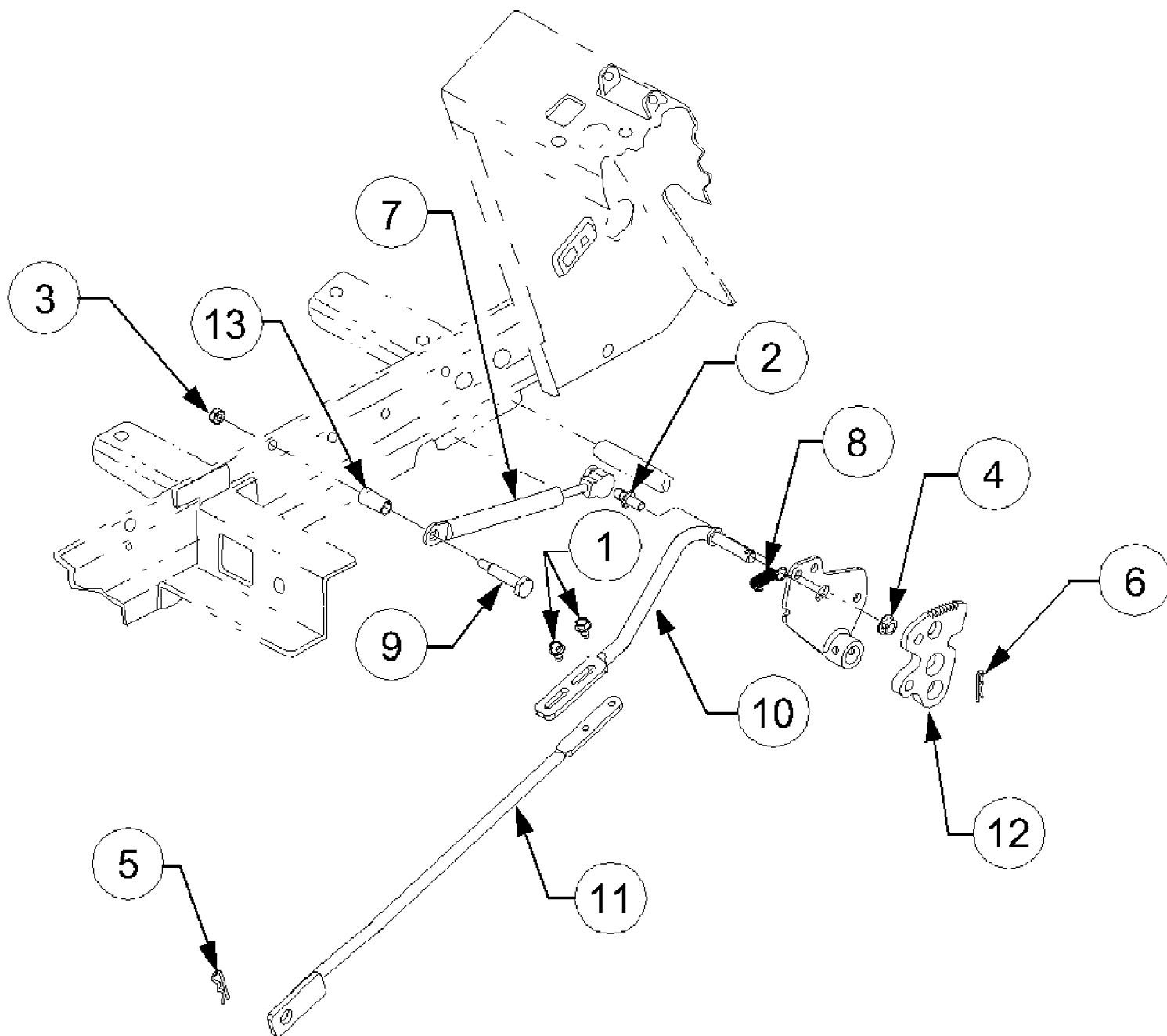
2518-44 Tractor
Steering



2518-44 Tractor
Steering

Page 87 of 89

Ref #	Part Number	Qty	S/P/F	Description
1	603-0250	1	/P	Segment Assy, 18T Steering
2	603-0064	1		Arm Assy, Lower Steering
3	603-0236B	1	/P	Housing Assy, (Incl. Ref #25, 29-30)
4	731-3209	1		Wheel, Steering, Soft Grip
5	710-0751	2	/P	Screw, Hex Cap, 1/4 - 20 x .62, GR5
6	710-1260A	4	/P	Screw, Hex Wash. Hd. Tapp 5/16 - 18 x .75
7	712-0237	1	S	Nut, Hex Center Lock, 5/16-18
8	712-0711	4	/P	Nut, Hex Jam, 3/8-24 GR2
9	712-3012	1	S	Nut, Hex Slotted, 1/2-20 GR5
10	712-3027	2	S	Nut, Hex Flange Lock, 1/4-20
11	712-3054	4	/P	Nut, Hex Lock, 3/8-24 GR5
12	714-0115	1	S	Pin, Cotter, 1/8 Dia x 1
13	714-3004	1		Pin, Cotter, 3/32 Dia x 1.25
14	717-3382	1		Pinion, Steering
15	722-3019	1		Gasket, Steering
16	723-0156	4	S	Joint, Ball, 3/8-24
17	731-3210	1		Insert, Steering Wheel Cover
18	736-04062	1	S	Washer, Flat, .344 x 1.5 x .1 Thk
19	736-0272	1	S	Washer, Flat, .510 x 1 x .06 Thk
20	736-0351	1	S	Washer, Flat, .760 x 1.5 x .03 Thk
21	736-0355	1	/P	Washer, Flat, .56 x 1 x .04 Thk
22	736-0921	1	S	Washer, Lock, 1/2
23	736-3013	2	S	Washer, Flat, .531 x 1 x .027 Thk
24	736-3132	1		Washer, Rubber Flat, .50 x 1.12 x .125 Thk
25	737-3000	2	S	Fitting, Grease, 3/16 Drive Type
26	738-3105	1		Shaft, Steering
27	741-3025	1		Bearing, Flange
28	747-3171	2		Rod, Tie
29	748-0108	1	S	Bearing, Flange, .503 ID
30	748-3007A	2	S	Bearing, Bronze Flange, .75 ID



Ref #	Part Number	Qty	S/P/F	Description
1	710-0642	2	/P	Screw, Hex Wsh Hd Tapp, 1/4-20 x .75
2	710-3170	1		Screw, Ball, 5/16-18 x.56
3	712-0271	1	/P	Nut, Hex Sems, 1/4-20
4	712-3004A	1	/P	Nut, Hex Flange Lock, 1/4-20
5	714-0101	1	S	Pin, Internal Cotter
6	714-0104	1	S	Pin, Internal Cotter
7	727-3090	1	/P	Cylinder, Damper
8	732-3118	1		Spring, Extension, 3/8 OD x 1.44
9	738-0560	1	S	Bolt, Shoulder, .374 Dia x 1.375
10	747-3304	1		Rod, Front Control
11	647-3003	1		Rod, Rear Hydro Control
12	748-3070	1		Plate, Cruise
13	750-0434	1	/P	Spacer, Split Tubing, .375 ID x 1.04