

28Q700 to 28Q799

SERVICE ENGINE  **SALES MANUAL**

**MODEL 28Q700 SERIES ENGINES REPLACED WITH
 STANDARD SERVICE ENGINES**

In most cases, the Original Type numbers shown may be replaced by a Service Type Number without making any changes. Necessary changes of engine parts such as crankshafts, reduction parts, blower housings, etc., are noted. Other differences, such as mufflers, elbows, deflectors, etc., are not listed but are very important for safety and engine performance. Be sure the exhaust system on the replacement engine duplicates the system originally selected by the equipment manufacturer. Parts that are suitable for additional use should be transferred. Before making any conversion, check the data shown in the column labeled "REMOVE, ADD and NOTE." See if the changes, which are shown, are actually necessary on the application in question. Often a standard service engine will be a WORKABLE replacement without converting to such things as a special fuel tank or starter position.

If the crankshaft number does not appear in the "Original Engine" column, consult the Illustrated Parts List for the correct service replacement crankshaft number.

Engine Replacement Notes:

- NOTE 23:** If the original engine is equipped with a Six Pin Wiring Harness transfer to the replacement engine.
- NOTE 32:** If the replacement engine supersedes to or is a Model 280000 series engine, refer to the illustrations located after the conversion data for this model series. The overall dimensions which differ, are shown in the illustrations. If after making a visual inspection and it is determined the Model 280000 series engine cannot be used because of equipment interference, the original engine should be repaired with a short block and/or individual parts.
- NOTE 41:** Original engine was equipped for or with a 12 volt or 120 volt Gear Drive Starter and/or with alternator only. Transfer all related parts as required.
- NOTE 68:** Transfer Flywheel and Alternator Assembly from original to replacement engine.
- NOTE 88:** Transfer Muffler and/or Spark Arrester Assembly from the original engine if suitable for additional service or add new parts as required

Short Block Notes:

The SHORT BLOCK part number shown, is the assembly which can be used to rebuild the Original Type Number. If a letter appears after the short block number, it indicates the short block must be modified. The change denoted by each letter is as follows:

28Q700 to 28Q799

Original Engine			Make From		Remove		Add		Note	Change to Type	Trim	RPM	Short Block	
Type	Model	Crank	Model	Type #	Qty	Part #	Qty	Part #					Part #	Notes
0026	28Q777	495162	28CH77	0036					32 88		All	3300	697762	
0111	28Q777	495162	28CH77	0036					32 88		All	3300	697762	
0112	28Q777	495162	No Replacement Repair With Individual Parts.								All	3400		
0116	28Q777	495162	28CH77	0036					32 88		All	3300	697762	
0117	28Q777	495162	28CH77	0036					32 88		All	3300	697762	
0128	28Q777	495162	No Replacement Repair With Individual Parts.								All	3300		
0129	28Q777	495162	No Replacement Repair With Individual Parts.								All	3300		
0136	28Q777	495162	28CH77	0036					32 88		All	3300	697762	
0139	28Q777	495162	28CH77	0036					32 88		All	3600	697762	
0140	28Q777	495162	28CH77	0036					32 88		All	3600	697762	
0144	28Q777	495162	28CH77	0036					32 88		All	3300	697762	
0148	28Q777	495162	28CH77	0036					32 68 88		All	3300	697762	
0149	28Q777	495162	28CH77	0036					32 88		All	3300	697762	
0150	28Q777	495162	28CH77	0036					32 88		All	3300	697762	

28Q700 to 28Q799

Original Engine			Make From		Remove		Add		Note	Change to Type	Trim	RPM	Short Block		
Type	Model	Crank	Model	Type #	Qty	Part #	Qty	Part #					Part #	Notes	
0151	28Q777	495162	28CH77	0036					32 88		All	3400	697762		
0155	28Q777	495162	28CH77	0036					32 88		All	3100	697762		
0156	28Q777	495162	28CH77	0036					32 68 88		All	3300	697762		
0164	28Q777	495162	28CH77	0036					32 88		All	3300	697762		
0165	28Q777	495162	28CH77	0036					32 88		All	3300	697762		
0166	28Q777	495162	28CH77	0036					32 88		All	3300	697762		
0167	28Q777	495162	28CH77	0036					32 88		All	3600	697762		
0168	28Q777	495162	28CH77	0036					32 88		All	3300	697762		
0169	28Q777	495162	28CH77	0036					32 41 68		All	3500	697762		
0526	28Q777		28CH77	0036					23 32 88		All	3300	697762		
0536	28Q777		28CH77	0036					23 32 88		All	3300	697762		
0611	28Q777	495162	28CH77	0036					32 88		All	3300	697762		
0612	28Q777	495162	No Replacement Repair With Individual Parts.									All	3400		
0613	28Q777	495162	28CH77	0036					32 88		All	3300	697762		
0616	28Q777		28CH77	0036					32 88		All	3300	697762		
0622	28Q777		28CH77	0036					32 68 88		All	3300	697762		
0623	28Q777		28CH77	0036					32 88		All	3300	697762		
0624	28Q777	495162	28CH77	0036					32 88		All	3300	697762		
0626	28Q777	495162	28CH77	0036					32 88		All	3300	697762		
0627	28Q777	495162	28CH77	0036					32 88		All	3000	697762		
0628	28Q777	495162	28CH77	0036					32 88		All	3300	697762		
0629	28Q777	495162	28CH77	0036					32 88		All	3000	697762		
0630	28Q777	495162	No Replacement Repair With Individual Parts.									All	3300		
0631	28Q777		28CH77	0036					23 32 68 88		All	3350	697762		
0636	28Q777		28CH77	0036					23 32 88		All	3300	697762		
0637	28Q777	495162	28CH77	0036					32 88		All	3300	697762		

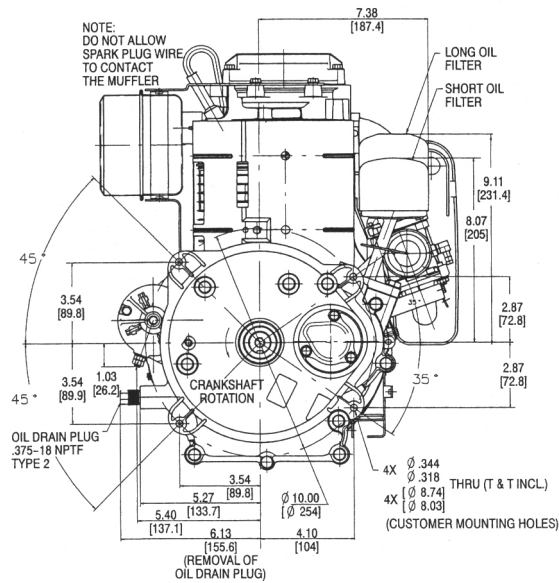
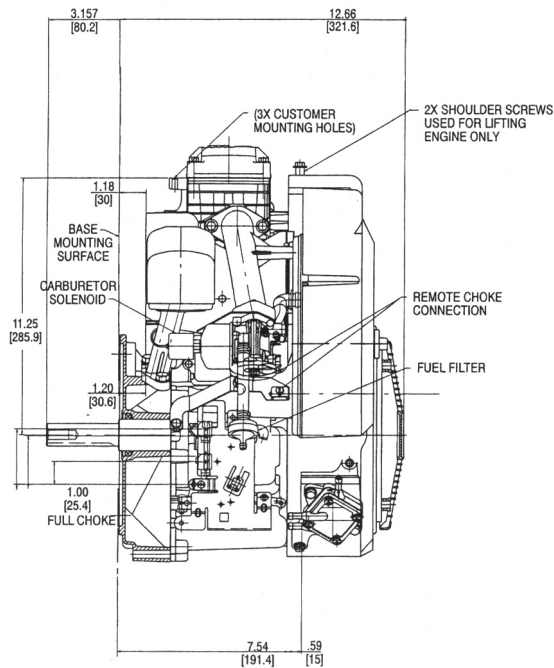
28Q700 to 28Q799

Original Engine			Make From		Remove		Add		Note	Change to Type	Trim	RPM	Short Block		
Type	Model	Crank	Model	Type #	Qty	Part #	Qty	Part #					Part #	Notes	
0639	28Q777		28CH77	0036					23 32 88		All	3600	697762		
0640	28Q777	495162	28CH77	0036					32 88		All	3600	697762		
0641	28Q777	495162	No Replacement Repair With Individual Parts.									All	3600		
0642	28Q777		No Replacement Repair With Individual Parts.												
0644	28Q777	495162	28CH77	0036					32 88		All	3300	697762		
0645	28Q777		28CH77	0036					23 32 88		All	3250	697762		
0646	28Q777		28CH77	0036					32 68 88		All	3300	697762		
0647	28Q777		28CH77	0036					23 32 88		All	3600	697762		
0650	28Q777	495162	28CH77	0036					32 88		All	3300	697762		
0651	28Q777	495162	28CH77	0036					32 88		All	3200	697762		
0655	28Q777	495162	28CH77	0036					32 88		All	3300	697762		
0656	28Q777	495162	28CH77	0036					23 32 68 88		All	3300	697762		
0662	28Q777		28CH77	0036					23 32 88		All	3300	697762		
0664	28Q777	495162	28CH77	0036					32 88		All	3300	697762		
0665	28Q777	495162	28CH77	0036					32 88		All	3300	697762		
0666	28Q777	495162	28CH77	0036					32 88		All	3300	697762		
0667	28Q777	495162	28CH77	0036					32 88		All	3600	697762		
0668	28Q777		28CH77	0036					23 32 88		All	3300	697762		
0669	28Q777	495162	28CH77	0036					32 88		All	3500	697762		
0670	28Q777		28CH77	0036					32 88		All	3300	697762		
0671	28Q777	495162	28CH77	0036					32 88		All	3300	697762		
0672	28Q777	495162	28CH77	0036					23 32 88		All	3100	697762		
0673	28Q777		28CH77	0036					32 88		All	3300	697762		
0674	28Q777		28CH77	0036					32 88		All	3600	697762		
0675	28Q777		28CH77	0036					23 32 88		All	3300	697762		

28Q700 to 28Q799

Original Engine			Make From		Remove		Add		Note	Change to Type	Trim	RPM	Short Block	
Type	Model	Crank	Model	Type #	Qty	Part #	Qty	Part #					Part #	Notes
0676	28Q777		28CH77	0036					32 88		All	3600	697762	
0677	28Q777		28CH77	0036					23 32 88		All	3300	697762	
0678	28Q777		28CH77	0036					23 32 68 88		All	3400	697762	
0679	28Q777		28CH77	0036					23 32 88		All	3500	697762	
0681	28Q777	495162	28CH77	0036					32 88		All	3400	697762	
0682	28Q777		28CH77	0036					32 88		All	3300	697762	
0683	28Q777		28CH77	0036					32 88		All	3250	697762	
0684	28Q777		28CH77	0036					32 88		All	3250	697762	
0687	28Q777		28CH77	0036					23 32 88		All	3300	697762	
0688	28Q777		28CH77	0036					23 32 88		All	3300	697762	
0689	28Q777		28CH77	0036					23 32 88		All	3300	697762	
0690	28Q777		28CH77	0036					23 32 88		All	3300	697762	
0691	28Q777		28CH77	0036					23 32 68 88		All	3400	697762	
0692	28Q777		28CH77	0036					23 32 88		All	3600	697762	
0693	28Q777		28CH77	0036					23 32 88		All	3000	697762	
0694	28Q777		28CH77	0036					23 32 88		All	3600	697762	
1026	28Q777		28CH77	0036					32 88		All	3300	697762	

MODEL 28Q700



MODEL 280000

