

Illustrated Parts List

Model Series

BE 2010

TYPE NUMBERS
0101, 0105, 0107,
0109, 0120, 0122,
0125, 0126, 0130,
0132, 0134.

TO FIND
THE CORRECT NUMBER OF THE PART YOU NEED:
FOLLOW THE INSTRUCTIONS BELOW

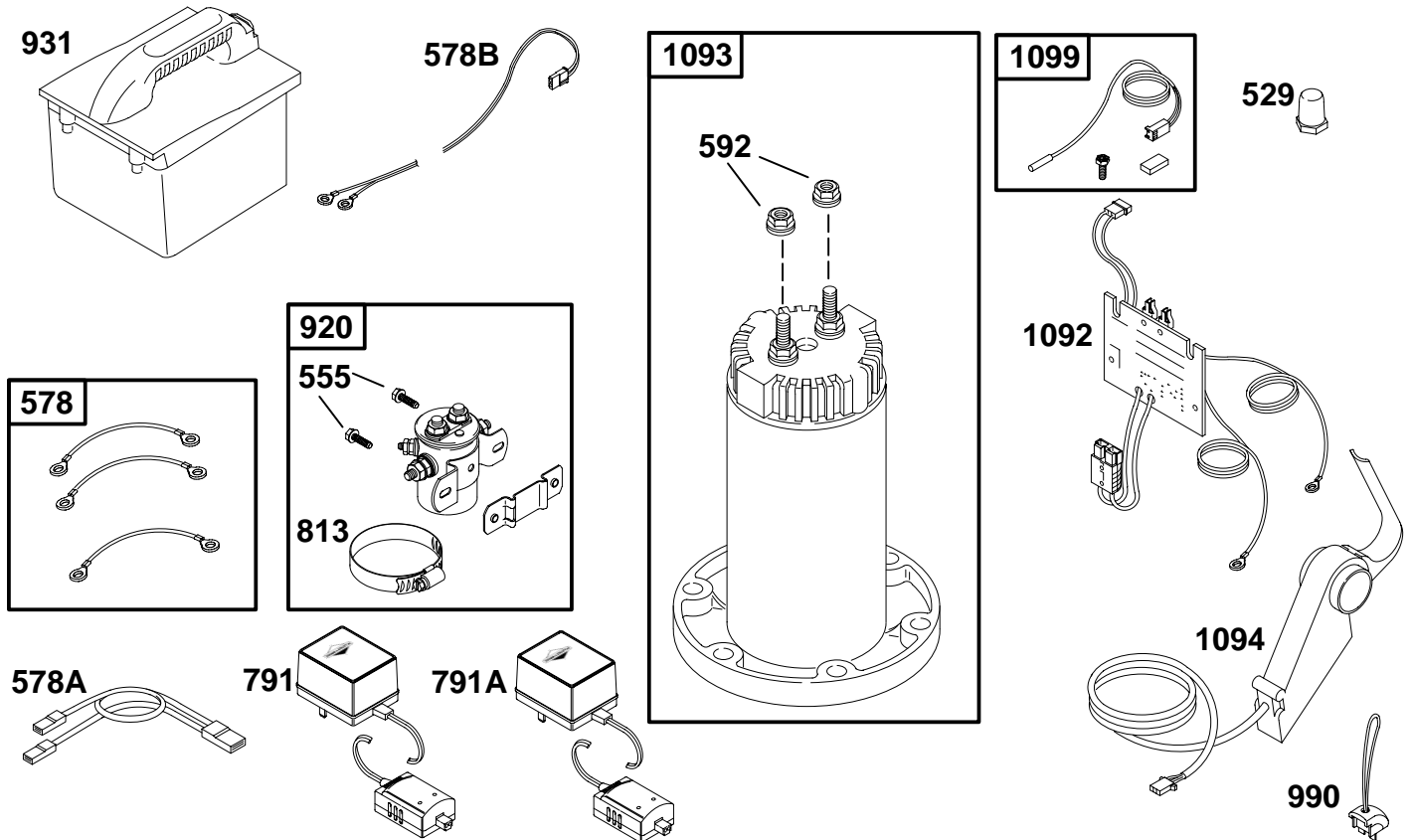
- A. Refer to Mower Model, Type and Code Number that is stamped on the metal tag behind the left wheel. Engine type numbers such as 0123 01 are listed only as 0123 in most instances. The two digits (01 or 02, etc.) to the right of the space may be required for more accurate parts identification in some instances. Select the Illustrated Parts List covering the correct Model Series and Type Number.
- B. Refer to the Illustrations and compare the original part with Illustration. The number next to the illustration is the Reference Number. Assemblies include all parts shown in frames. All parts shown in assembly frames having individual reference numbers can be purchased separately.
- C. After the Reference Number has been identified, refer to the Numerical text, where Reference and Primary Part Number are listed. **THE PRIMARY PART IS USED ON ALL TYPE NUMBERS EXCEPT THOSE TYPE NUMBERS UNDER "NOTE."**
- D. If a "Note" appears below the Primary Part Number, it means that this part differs from the Primary Part for certain types. If your Type number is listed under "Note," order the part referred to at the "Note."
- E. If your Mower Type Number does not appear after any part number listed under "Note," use the Primary Part Number.
- F. For Mower Type Numbers not covered by this book, check other Parts Lists having the same engine model or contact your source of supply.

PRINTED IN U.S.A.



COPYRIGHT by BRIGGS & STRATTON CORPORATION
All rights reserved. No part of this material may be reproduced or transmitted, in any form or by any means, electronic or mechanical, including photocopying, recording or by any information storage and retrieval system, without permission in writing from Briggs & Stratton Corporation.

BE 2010



REF. NO.	PART NO.	DESCRIPTION	REF. NO.	PART NO.	DESCRIPTION	REF. NO.	PART NO.	DESCRIPTION
529	497926	Grommet (Circuit Breaker)	791	497400	Charger-Battery	990	497399	Key Set
555	805448	Screw	791A	497476	Charger-Battery (220 Volts)			Note
578	498288	Wire Assembly	813	393514	Clamp			498271 Key Set
578A	497435	Wire Assembly (Battery Charger)	920	498287	Solenoid			Used on Type No(s). 0122, 0126.
578B	497875	Wire Assembly	931	690856	Battery	1092	497627	Module-Control
592	94949	Nut				1093	498289	Motor-Electric Mower
						1094	497392	Control-Motor
						1099	498665	Switch-Latch Assembly