



**9C900**

# Illustrated Parts List

## Model Series

### 9C900

TYPE NUMBERS  
0304, 0305, 0306, 0307,  
0330, 0331, 0332, 0333,  
2033, 2104, 2129, 2130,  
2131, 2135.

### TABLE OF CONTENTS

Air Cleaner .....	5
Blower Housing .....	6
Brake .....	7
Cams .....	3
Carburetor .....	4
Controls .....	5
Covers .....	6
Crankcase Cover/Sump .....	3
Crankshaft .....	3
Cylinder .....	2
Flywheel .....	6
Fuel Tank .....	4
Gasket Sets-Engine/Valve .....	2
Governor Spring .....	5
Head .....	2
Ignition .....	5
Muffler .....	5
Oil .....	2
Piston Group .....	3
Rewind .....	7
Valves .....	3

PRINTED IN U.S.A.

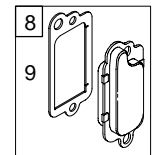
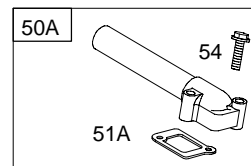
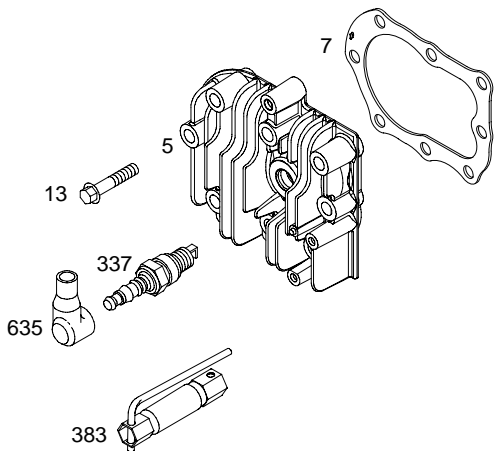
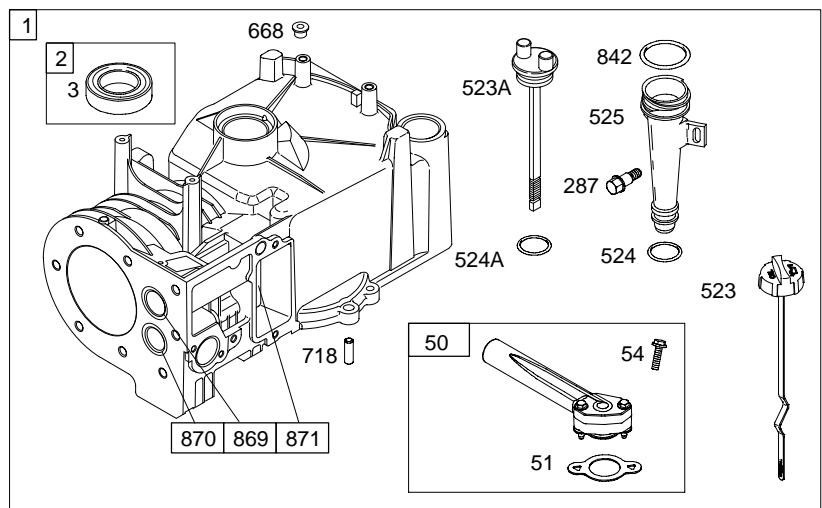
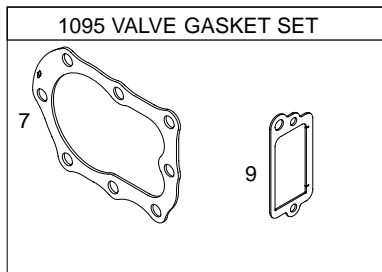
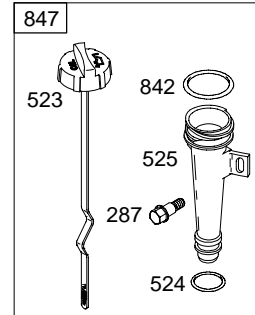
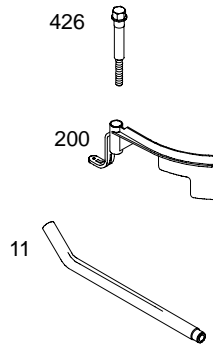
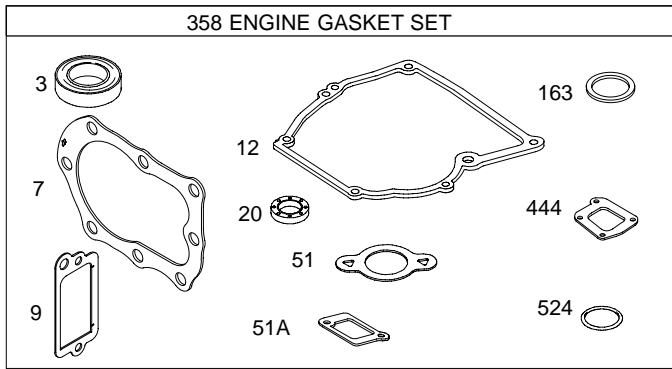


COPYRIGHT by BRIGGS & STRATTON CORPORATION  
All rights reserved. No part of this material may be reproduced or transmitted, in any form or by any means, electronic or mechanical, including photocopying, recording or by any information storage and retrieval system, without permission in writing from Briggs & Stratton Corporation.

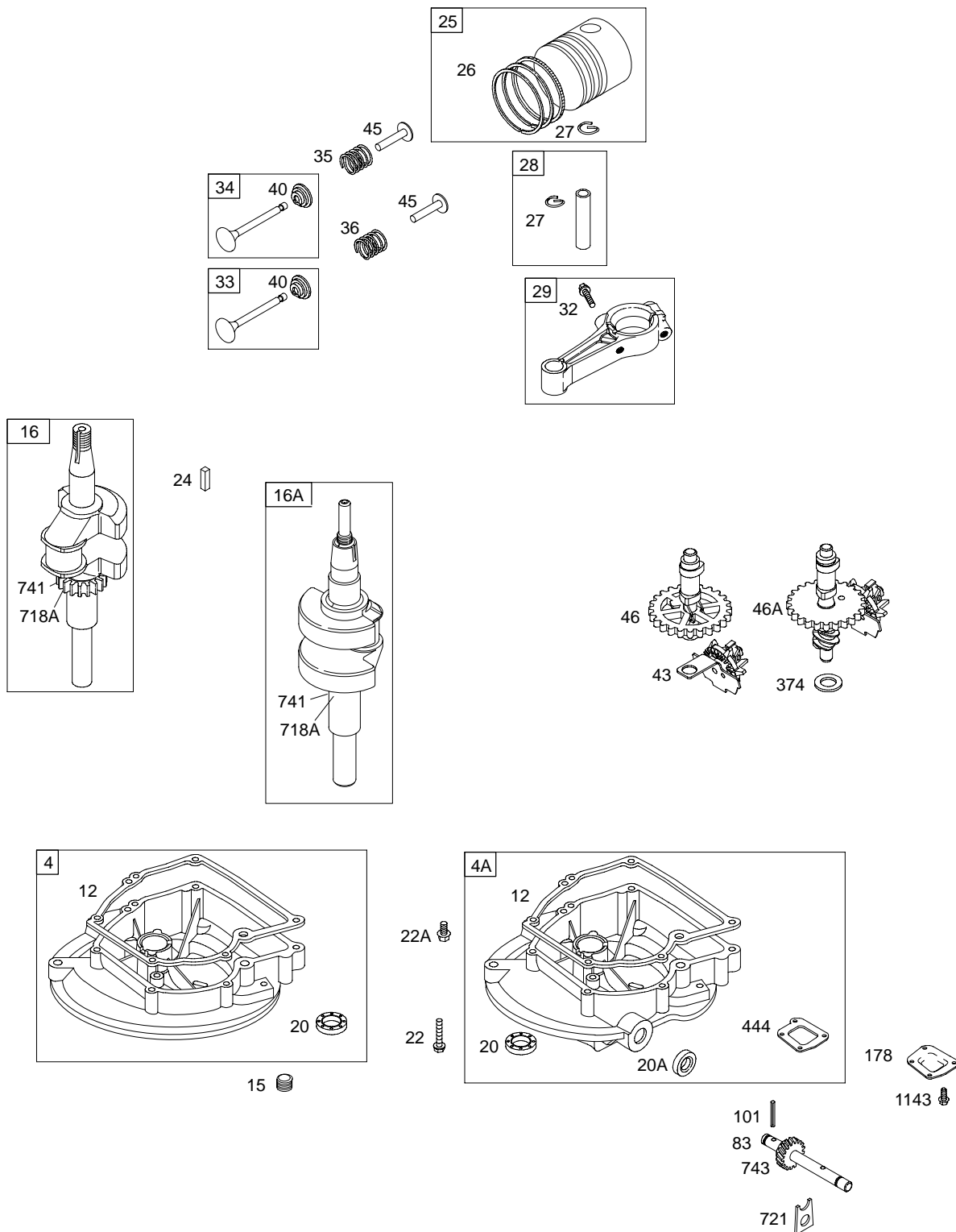
# 9C900

1058 OWNER'S MANUAL

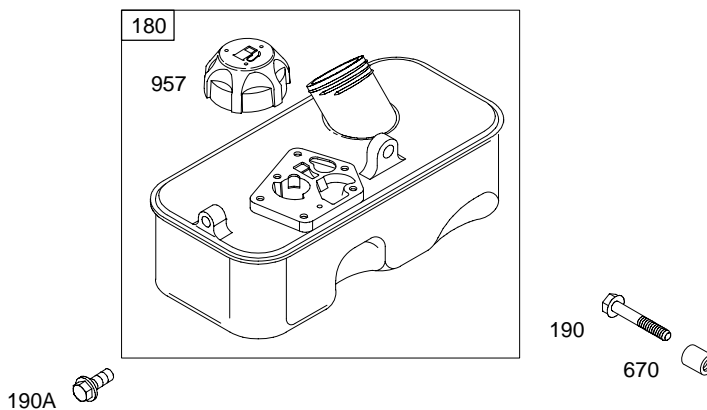
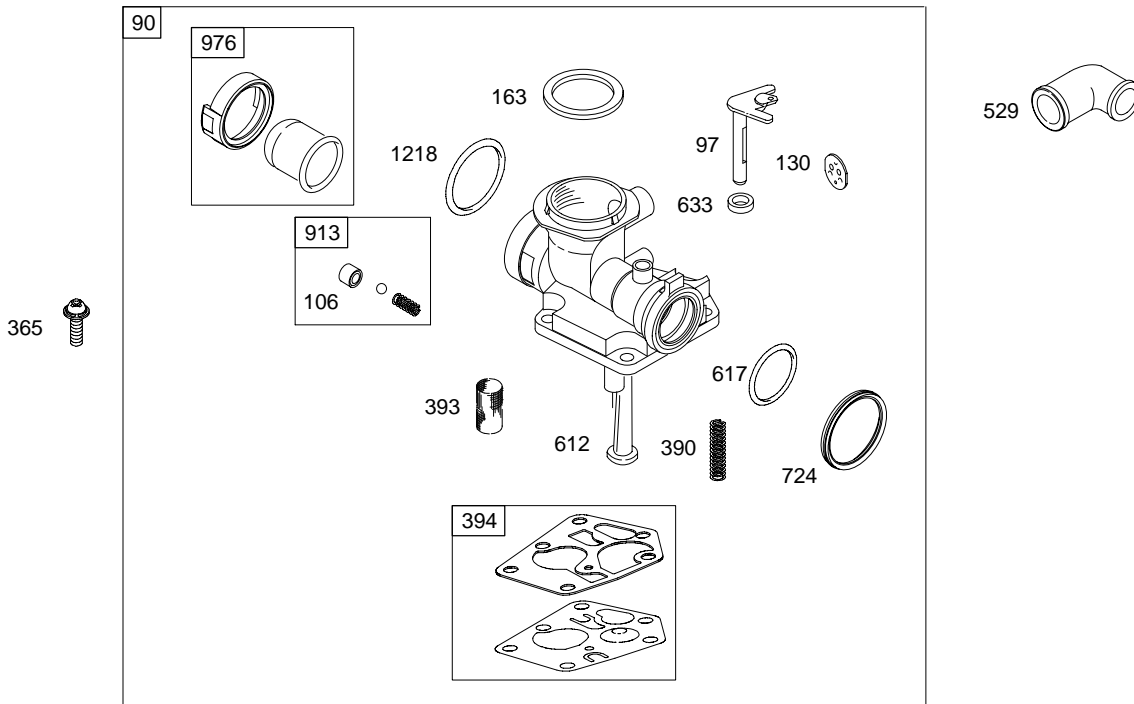
1330 REPAIR MANUAL

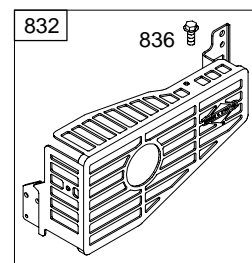
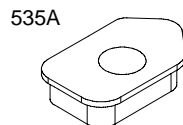
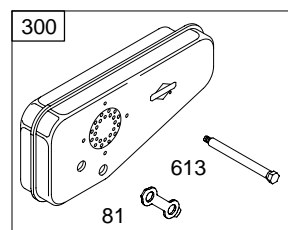
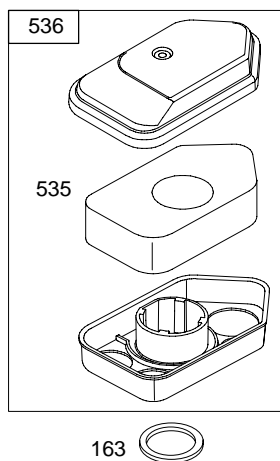
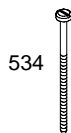
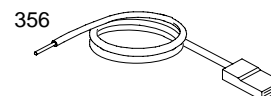
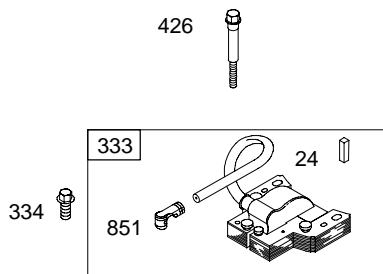
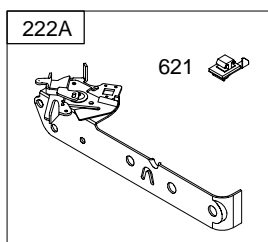
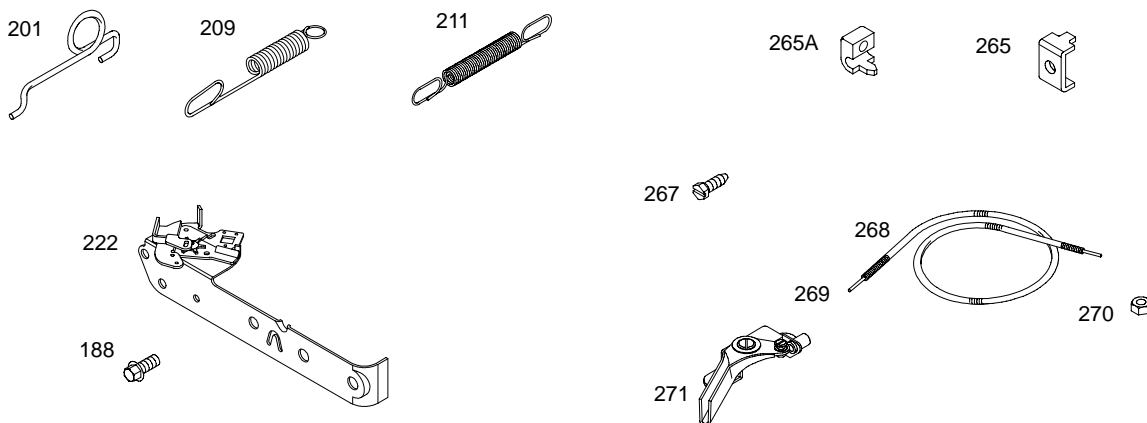


10

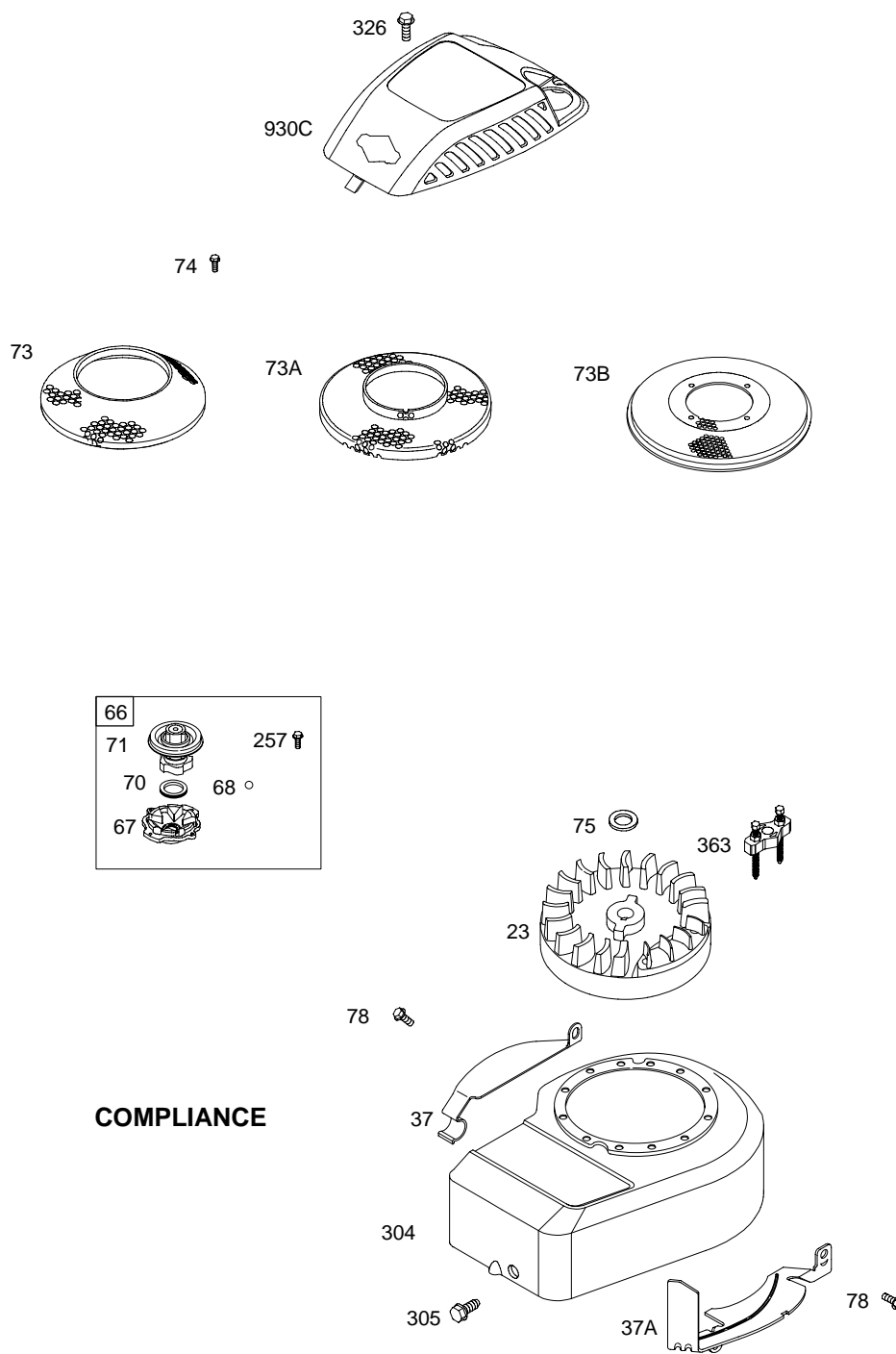


# 9C900





# 9C900



**COMPLIANCE**

1036 EMISSIONS LABEL



# 9C900

REF. NO.	PART NO.	DESCRIPTION	REF. NO.	PART NO.	DESCRIPTION	REF. NO.	PART NO.	DESCRIPTION
1	699653	Cylinder Assembly	20	★391483	Seal–Oil (PTO Side)	26	790909	Ring Set (Standard)
2	399269	Kit–Bushing/Seal (Magneto Side)	20A	★691952	Seal–Oil (PTO Side) (Auxiliary Drive)			(Used After Code Date 04111400). ----- <b>Note</b> -----
3	★299819	Seal–Oil (Magneto Side)	22	692551	Screw (Crankcase Cover/Sump) (1 1/4" Long)			<b>699658</b> Ring Set (Standard) (Used After Code Date 030803000 and Before Code Date 04111500).
4	698691	Sump–Engine (Used After Code Date 02111200). ----- <b>Note</b> -----	22A	691108	Screw (Crankcase Cover/Sump) (3/4" Long) Used on Type No(s). 0305.			<b>498680</b> Ring Set (Standard) (Used After Code Date 96020500 and Before Code Date 03080400).
4A	395390	Sump–Engine (Auxiliary PTO) Used on Type No(s). 0305.	23	692009	Flywheel			<b>298982</b> Ring Set (Used Before Code Date 96020600).
5	790169	Head–Cylinder	24	222698	Key–Flywheel			
7	★△698717	Gasket–Cylinder Head (Used After Code Date 97073100). ----- <b>Note</b> -----	25	790908	Piston Assembly (Standard) (Used After Code Date 04111400). ----- <b>Note</b> -----			<b>498682</b> Ring Set (.020" Oversize) (Used After Code Date 96020500).
		<b>272536</b> Gasket– Cylinder Head (Used Before Code Date 97080100).			<b>699657</b> Piston Assembly (Standard) (Used After Code Date 030803000 and Before Code Date 04111500).			<b>298984</b> Ring Set (.020" Oversize) (Used Before Code Date 96020600).
8	699640	Breather Assembly			<b>498668</b> Piston Assembly (Standard) (Used After Code Date 96020500 and Before Code Date 03080400).	27	691588	Lock–Piston Pin
9	★△695890	Gasket–Breather			<b>298904</b> Piston Assembly (Standard) (Used Before Code Date 96020600).	28	699659	Pin–Piston (Standard) (Used After Code Date 03080300). ----- <b>Note</b> -----
10	691666	Screw (Breather Assembly)			<b>298906</b> Piston Assembly (.020" Oversize) (Used Before Code Date 96020600).			<b>298909</b> Pin–Piston (Standard) (Used Before Code Date 03080400).
11	691245	Tube–Breather				29	699655	Rod–Connecting (Standard) (Used After Code Date 03080300). ----- <b>Note</b> -----
12	★692218	Gasket–Crankcase (.015" Thick) (Standard) ----- <b>Note</b> -----						<b>294367</b> Rod– Connecting (Standard) (Used Before Code Date 03080400).
		<b>270895</b> Gasket– Crankcase (.005" Thick)				32	691664	Screw (Connecting Rod)
		<b>270896</b> Gasket– Crankcase (.009" Thick)				33	296676	Valve–Exhaust
13	691640	Screw (Cylinder Head)				34	296677	Valve–Intake
15	691680	Plug–Oil Drain				35	690520	Spring–Valve (Intake)
16	492748	Crankshaft Used on Type No(s). 0305, 0306, 0330, 0331, 0332, 0333. ----- <b>Note</b> -----				36	690520	Spring–Valve (Exhaust)
		<b>492086</b> Crankshaft Used on Type No(s). 0304, 0307, 2104, 2129.						
16A	692990	Crankshaft Used on Type No(s). 2033, 2130, 2131, 2135.						

★ Engine Gasket Set–Reference 358

△ Valve Gasket Set–Reference 1095



**9C900**

REF. NO.	PART NO.	DESCRIPTION	REF. NO.	PART NO.	DESCRIPTION	REF. NO.	PART NO.	DESCRIPTION
37	690482	Guard-Flywheel (Carburetor Side)	66	399671	Clutch-Starter (Used Before Code Date 97060600).	190A	692198	Screw (Fuel Tank (1/2" Long)
37A	691209	Guard-Flywheel (Muffler Side)	67	394897	Housing-Clutch (Used Before Code Date 97060600).	200	691912	Blade-Governor
40	692194	Retainer-Valve	68	691604	Ball-Clutch (Used Before Code Date 97060600).	201	690347	Link-Air Vane
43	698690	Slinger-Governor/Oil (Used After Code Date 02110400).	70	691945	Ratchet-Clutch (Used Before Code Date 97060600).	209	691861	Spring-Governor (Brown) (Used After Code Date 96051900 and Before Code Date 97052700). Used on Type No(s). 0304, 0305, 0306, 0307, 0330, 0331, 0332.
		----- Note -----	71	691359	Cover-Ratchet			----- Note -----
		691983 Slinger- Governor/Oil (Used Before Code Date 02110500).	73	699850	Screen-Rotating (Used After Code Date 03082400).			692211 Spring- Governor (No Color) (Used Before Code Date 96052000). Used on Type No(s). 0304, 0305, 0306, 0307, 0330, 0331, 0332.
45	691762	Tappet-Valve	73A	694018	Screen-Rotating (Used After Code Date 97120500 and Before Code Date 03082500).			690254 Spring- Governor (Light Blue) Used on Type No(s). 0333, 2033, 2104, 2129, 2131, 2135.
46	691998	Camshaft	73B	691725	Screen-Rotating (Used Before Code Date 97120400).			691297 Spring- Governor (White) Used on Type No(s). 2130.
46A	690644	Camshaft (Counterclockwise) Used on Type No(s). 0305.	74	691627	Screw (Rotating Screen)	211	691859	Spring-Governed Idle
50	699644	Manifold-Intake (Used After Code Date 03080300).	75	691736	Washer (Flywheel)	222	691446	Bracket-Control
50A	693446	Manifold-Intake (Used Before Code Date 03080400).	78	692198	Screw (Flywheel Guard)	222A	691445	Bracket-Control Used on Type No(s). 2129, 2130.
51	699649	Gasket-Intake (Used After Code Date 03080300).	81	691179	Lock-Muffler Screw	257	691660	Screw (Starter Clutch)
51A	270345	Gasket-Intake (Used Before Code Date 03080400).	83	691240	Shaft-Auxiliary Drive Used on Type No(s). 0305.	265	691024	Clamp-Casing Used on Type No(s). 2129.
54	691111	Screw (Intake Manifold)	90	498809	Carburetor (Used After Code Date 96051900).	265A	690798	Clamp-Casing
55	692144	Housing-Rewind Starter			----- Note -----	267	691044	Screw (Casing Clamp)
56	281336	Pulley-Starter (Used Before Code Date 97120400). Used on Type No(s). 0304, 0305, 0306, 0307, 0330, 0331, 0332, 0333.	97	691931	Shaft-Throttle	268	691072	Casing-Control Wire (Cut To Required Length)
57	490179	Spring-Rewind Starter (Used Before Code Date 97120400). Used on Type No(s). 0304, 0305, 0306, 0307, 0330,0331, 0332, 0333.	101	691623	Pin-Shaft (Drive Gear) Used on Type No(s). 0305.	269	691026	Wire-Control (Cut To Required Length)
58	697316	Rope-Starter (88 5/8" Long)	106	691901	Seat-Inlet	270	691027	Nut (Control Wire Casing)
58A	691921	Rope-Starter (70" Long)	130	691190	Valve-Throttle			
60	691915	Grip-Starter Rope	163	271139	Gasket-Air Cleaner			
65	690837	Screw (Rewind Starter)	178	690398	Cover-Drive Gear			
			180	494406	Tank-Fuel			
			188	692198	Screw (Control Bracket)			
			190	691640	Screw (Fuel Tank to Cylinder) (1 3/4" Long)			

★ Engine Gasket Set-Reference 358

△ Valve Gasket Set-Reference 1095

# 9C900

REF. NO.	PART NO.	DESCRIPTION	REF. NO.	PART NO.	DESCRIPTION	REF. NO.	PART NO.	DESCRIPTION
271	691028	Lever-Control	444	691868	Gasket-Drive Gear Cover	612	496046	Tube-Pick Up
287	691002	Screw (Dipstick Tube)	455	691236	Cup-Flywheel	613	691413	Screw (Muffler)
300	692307	Muffler (Super Lo Tone)	456	692299	Plate-Pawl Friction	617	270344	Seal-O Ring (Intake Manifold)
304	694236	Housing-Blower (Compliance Engines) (Used After Code Date 99010300).	459	281505	Pawl-Ratchet	621	692310	Switch-Stop
		----- <b>Note</b> -----	523	692040	Dipstick	633	691321	Seal-Choke/Throttle Shaft (Thottle)
		691484 Housing-Blower (Compliance Engines) (Used Before Code Date 99010400).	523A	691913	Dipstick	635	66538	Boot-Spark Plug
304A	694051	Housing-Blower (Non Compliance Engines) Used on Type No(s). 2129, 2130.	524	*692296	Seal-Dipstick Tube	643	691911	Retainer-Air Filter
			524A	691876	Seal-Dipstick Tube Used on Type No(s). 2129, 2130.	668	692889	Spacer (Cylinder)
305	692198	Screw (Blower Housing)	525	691320	Tube-Dipstick	670	691633	Spacer-Fuel Tank (Used After Code Date 97071300).
326	691141	Screw (Rewind Guard)	529	692189	Grommet			----- <b>Note</b> -----
332	690662	Nut (Flywheel)	534	691417	Screw (Air Cleaner)			691631 Spacer-Fuel Tank (Used Before Code Date 97071400).
333	496914	Armature-Magneto	535	698369	Filter-Air Cleaner Foam (Used After Code Date 02101000).	689	691855	Spring-Friction
334	691061	Screw (Magneto Armature)	535A	272235	Filter-Air Cleaner Foam (Used Before Code Date 02101100).	718	690959	Pin-Locating (Cylinder)
337	802592	Plug-Spark ----- <b>Note</b> -----	536	698472	Cleaner-Air	718A	499047	Pin-Locating (Crankshaft)
		697451 Plug-Spark Used on Type No(s). 2129, 2130.	592	690800	Nut (Rewind Starter)	721	690397	Stop-Shaft
356	692390	Wire-Stop	597	691696	Screw (Pawl Friction Plate)	724	697478	Retainer-Seal
358	699933	Gasket Set-Engine	608	499706	Starter-Rewind Used on Type No(s). 2033, 2104, 2131, 2135.	729	690586	Clip-Wire
363	19069	Puller-Flywheel			----- <b>Note</b> -----	741	691805	Gear-Timing
365	790029	Screw (Carburetor)			498307 Starter-Rewind (Non-Compliance) (Used Before Code Date 97120400). Used on Type No(s). 0304, 0305, 0306, 0307, 0330, 0331, 0332, 0333.	743	691772	Gear-Drive (Counterclockwise) Used on Type No(s). 0305.
374	691074	Washer (Camshaft)	608A	690101	Starter-Rewind (70" Rope) Used on Type No(s). 2129, 2130.	745	691146	Screw (Brake) (7/8" Long)
383	89838	Wrench-Spark Plug				745A	690859	Screw (Brake) (1/2" Long)
390	691839	Spring-Choke Diaphragm				770	499915	Kit-Rewind/Blower Housing (For Use On Engines With Brake) (Used Before Code Date 97060600).
393	691837	Screen-Carburetor						
394	495770	Diaphragm-Carburetor						
426	691107	Screw (Governor Blade)						

★ Engine Gasket Set-Reference 358

△ Valve Gasket Set-Reference 1095

**9C900**

REF. NO.	PART NO.	DESCRIPTION	REF. NO.	PART NO.	DESCRIPTION	REF. NO.	PART NO.	DESCRIPTION
815	690324	Screw (Band Brake Pivot)	913	494409	Seat-Check Valve	1036		Label-Emissions (Available from Authorized Briggs & Stratton Service Dealer)
832	699299	Guard-Muffler (Super Lo Tone)	921	694044	Cover-Blower Housing			Operator's Manual
836	690664	Screw (Muffler Guard)	921A	699796	Cover-Blower Housing Used on Type No(s). 2129, 2130.	1058	275508	Gasket Set-Valve
842	★691870	Seal-O Ring (Dipstick Tube)	922	692135	Spring-Brake (Used After Code Date 97071300).	1095	498526	Screw (Drive Gear Cover)
847	691440	Dipstick/Tube Assembly	922A	691809	Spring-Brake (Used Before Code Date 97071400).	1143	691141	Screw (Brake Bracket)
851	493880	Terminal-Spark Plug	923	691487	Brake (Used After Code Date 97071300).	1208	690859	Pulley/Spring Assembly (Pulley)
869	699641	Seat-Valve (Intake) (Used After Code Date 03080300).	923A	394867	Brake (Used Before Code Date 97071400).	1210	499901	Pulley/Spring Assembly (Spring)
		----- <b>Note</b> ----- 691701 Seat-Valve (Intake) (Used Before Code Date 03080400).	930C	691932	Guard-Rewind (Used Before Code Date 99010400).	1211	499901	Seal-O Ring (Carburetor)
870	699642	Seat-Valve (Exhaust) (Used After Code Date 03080300).	933	690428	Pivot-Band Brake	1218	695866	Repair Manual
		----- <b>Note</b> ----- 691702 Seat-Valve (Exhaust) (Used Before Code Date 03080400).	942	493248	Bracket-Brake (Used Before Code Date 97071400).			
871	699643	Bushing-Valve Guide (Exhaust) (Used After Code Date 03080300).	957	497929	Cap-Fuel Tank			
		----- <b>Note</b> ----- 231348 Bushing-Valve Guide (Exhaust) (Used Before Code Date 03080400).	969	694046	Screw (Blower Housing Cover) (2 1/3" Long)			
		63709 Bushing-Valve Guide (Intake)	969A	692523	Screw (Blower Housing Cover) (2/3" Long) Used on Type No(s). 2129, 2130.			
			976	694394	Primer-Carburetor			
			1019	496757	Kit-Label			

★ Engine Gasket Set-Reference 358

△ Valve Gasket Set-Reference 1095