

9B900

Illustrated Parts List

Model Series

9B900

TYPE NUMBERS
0050, 0051, 1651, 1652.

TABLE OF CONTENTS

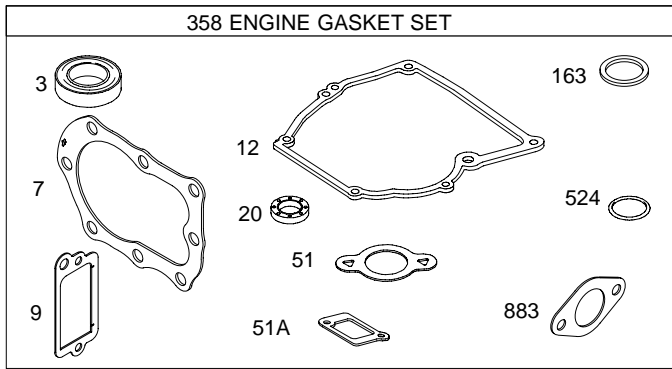
Air Cleaner	6
Blower Housing	7
Cams	3
Carburetor	4
Controls	5
Crankcase Cover/Sump	3
Crankshaft	3
Cylinder	2
Flywheel	7
Fuel Tank	4
Gasket Sets-Engine/Valve	2
Governor Spring	5
Head	2
Ignition	5
Muffler	6
Oil	2
Piston Group	3
Rewind	8
Valves	3

PRINTED IN U.S.A.



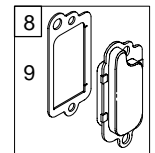
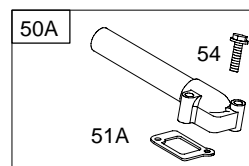
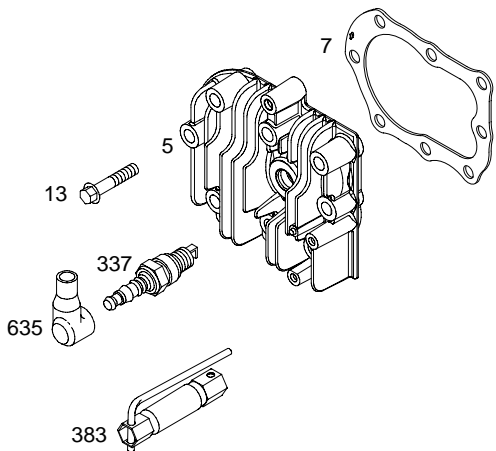
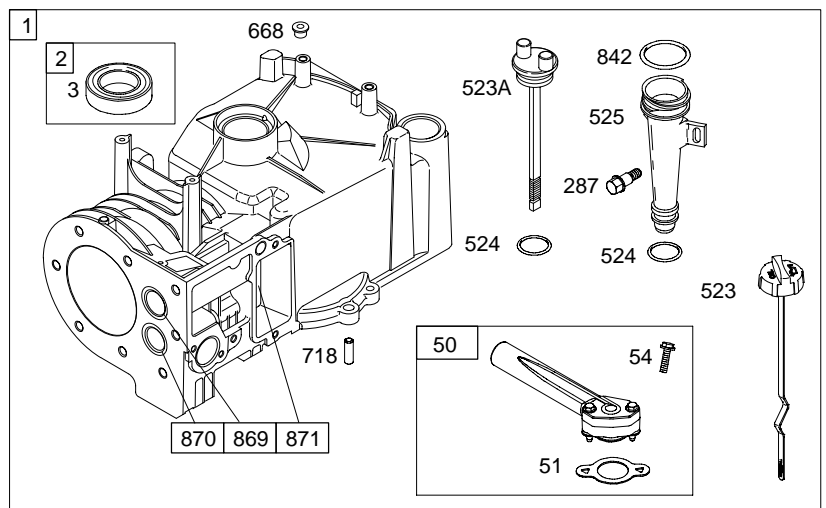
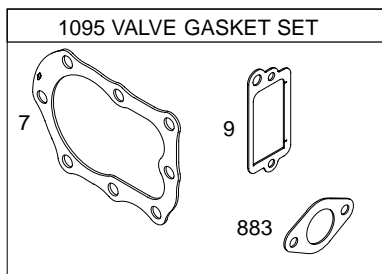
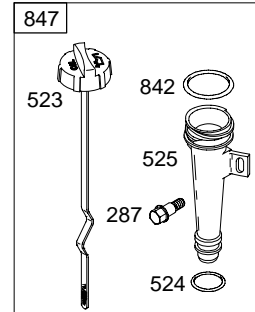
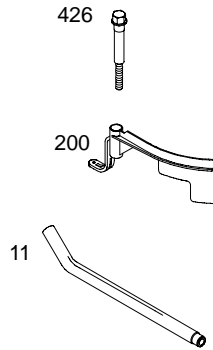
COPYRIGHT by BRIGGS & STRATTON CORPORATION
 All rights reserved. No part of this material may be reproduced or transmitted,
 in any form or by any means, electronic or mechanical, including photocopying,
 recording or by any information storage and retrieval system, without permission
 in writing from Briggs & Stratton Corporation.

9B900

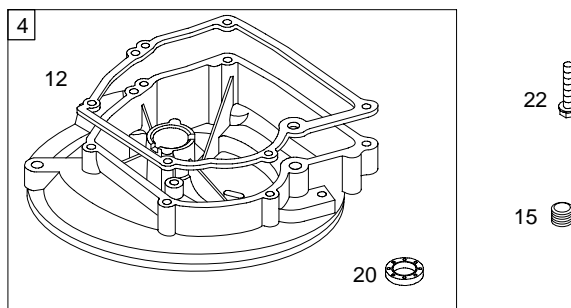
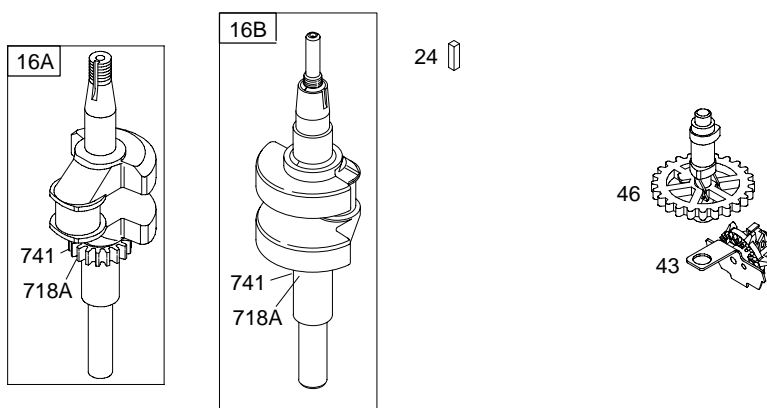
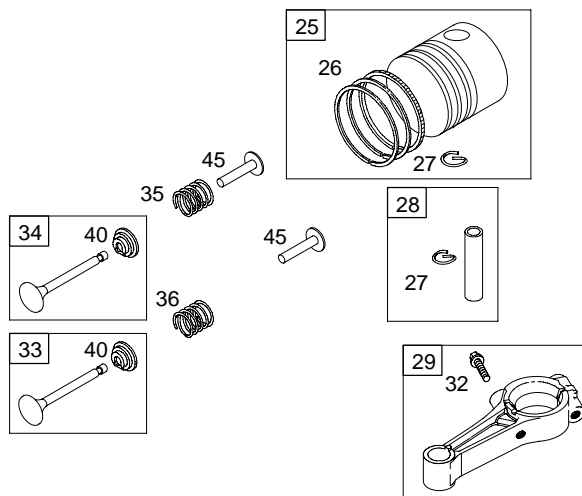


1058 OWNER'S MANUAL

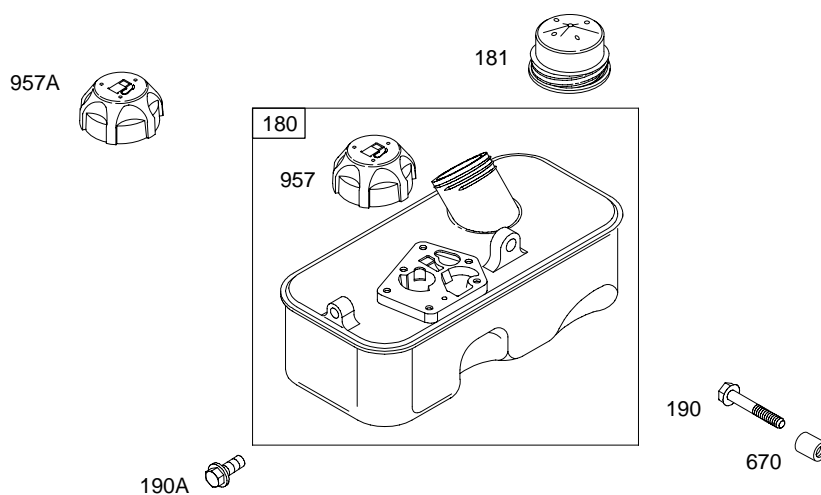
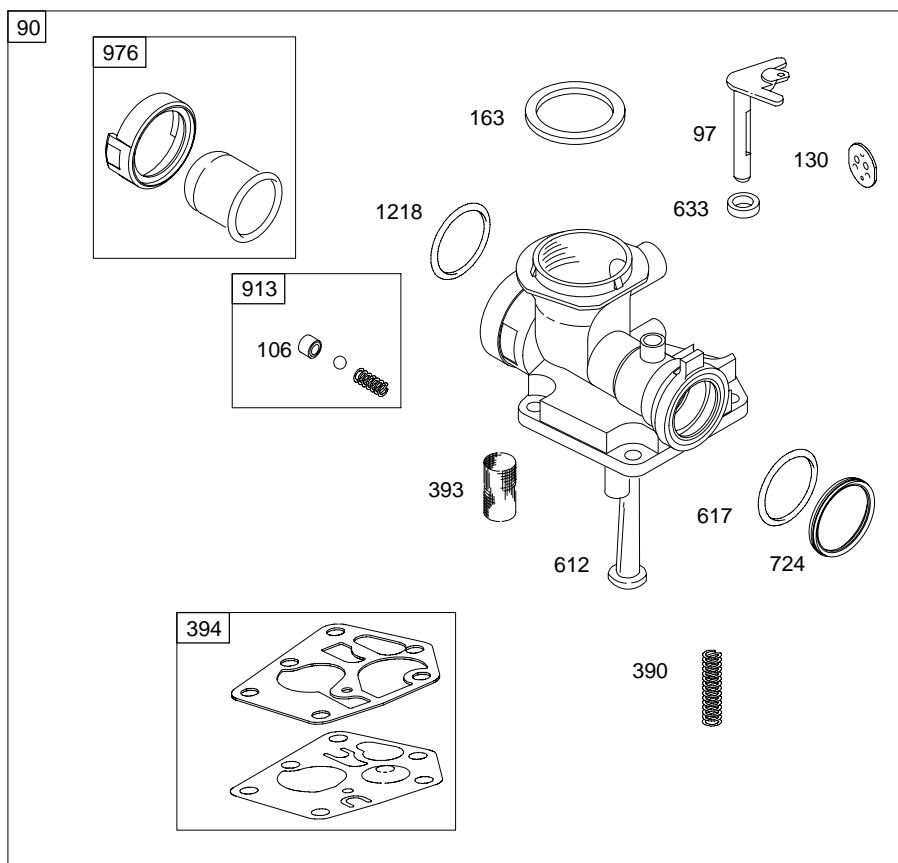
1330 REPAIR MANUAL

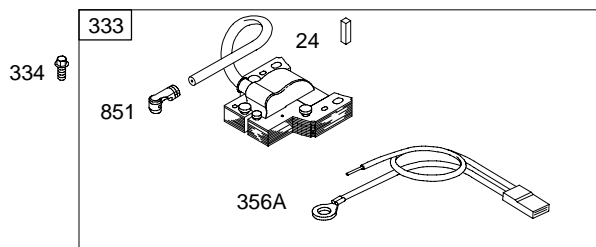
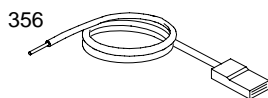
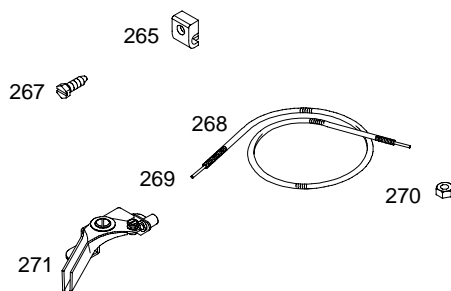
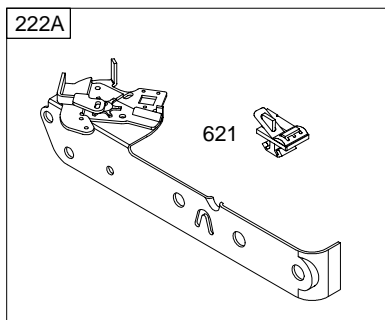


10

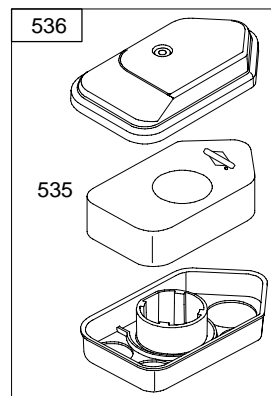
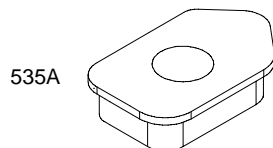
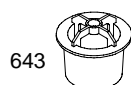
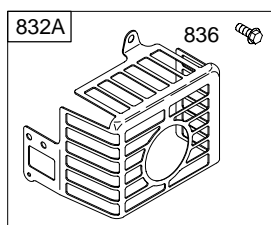
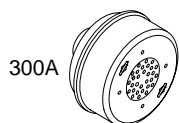
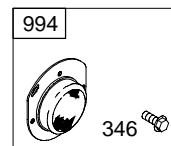
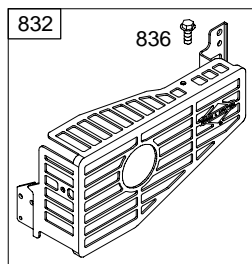
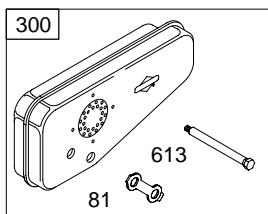


9B900



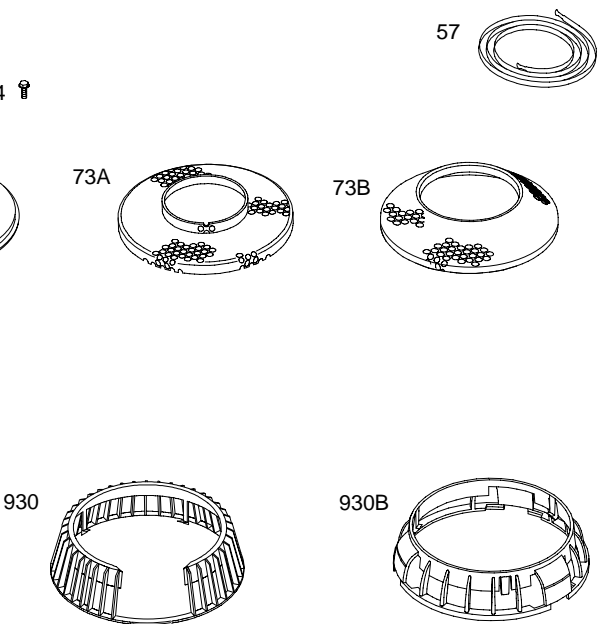
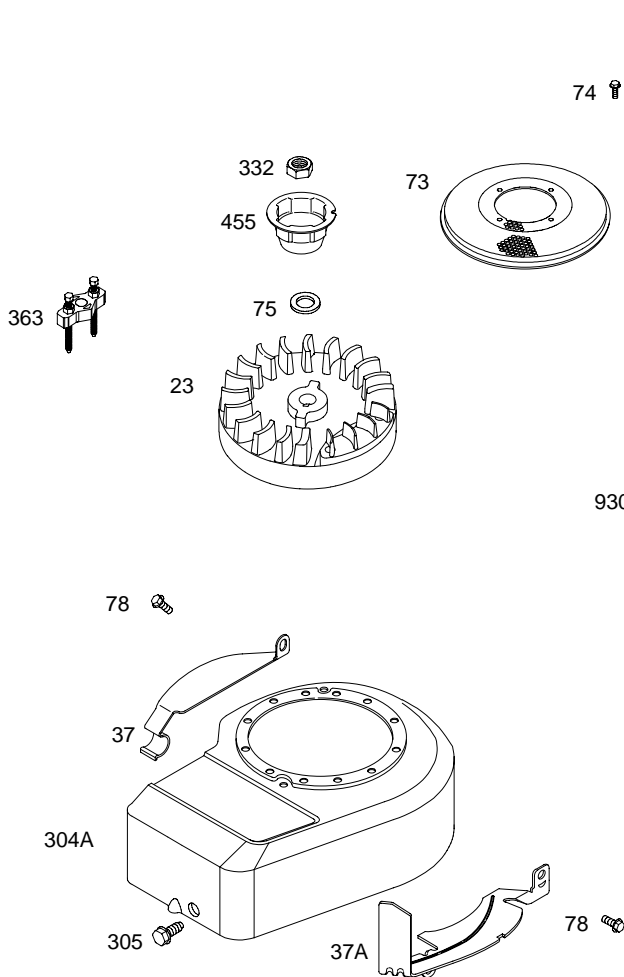


9B900

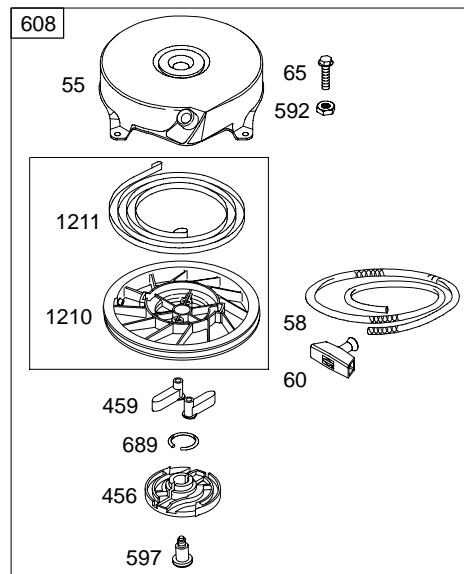


1019 LABEL KIT

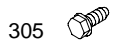
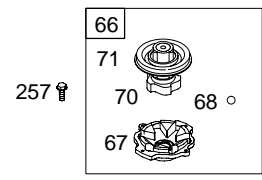
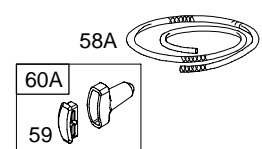
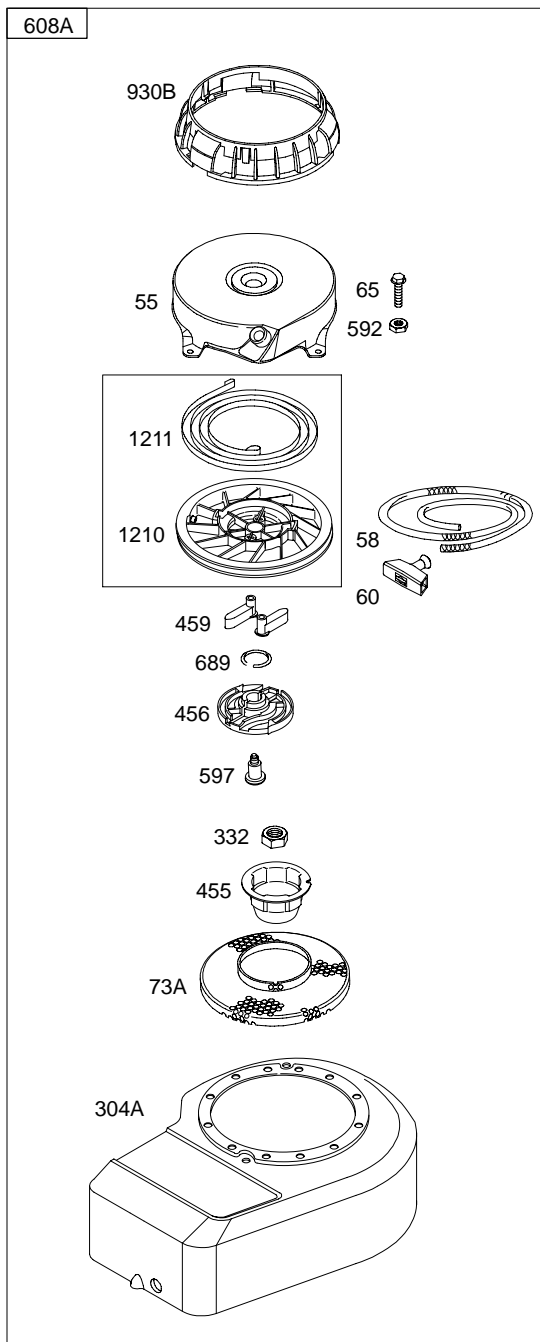
1036 EMISSIONS LABEL



NON-COMPLIANCE



9B900



NON-COMPLIANCE

9B900

REF. NO.	PART NO.	DESCRIPTION	REF. NO.	PART NO.	DESCRIPTION	REF. NO.	PART NO.	DESCRIPTION
1	699653	Cylinder Assembly	25	790908	Piston Assembly (Standard) (Used After Code Date 04111400).	29	699655	Rod-Connecting (Standard) (Used After Code Date 03090300).
2	399269	Kit-Bushing/Seal (Magneto Side)			----- Note -----			----- Note -----
3	*299819	Seal-Oil (Magneto Side)			699657 Piston Assembly (Standard) (Used After Code Date 030803000 and Before Code Date 04111500).			294367 Rod-Connecting (Standard) (Used Before Code Date 03080400).
4	698691	Sump-Engine (Used After Code Date 02111200).			498668 Piston Assembly (Standard) (Used After Code Date 96020500 and Before Code Date 03080400).	32	691664	Screw (Connecting Rod)
		----- Note -----						
		395384 Sump-Engine (Used Before Code Date 02111300).				33	296676	Valve-Exhaust
5	790169	Head-Cylinder				34	296677	Valve-Intake
7	*Δ698717	Gasket-Cylinder Head (Used After Code Date 095021900).				35	690520	Spring-Valve (Intake)
		----- Note -----						
		272536 Gasket-Cylinder Head (Used Before Code Date 95022000).	26	790909	Ring Set (Standard) (Used After Code Date 04111400).	36	690520	Spring-Valve (Exhaust)
					----- Note -----	37	690482	Guard-Flywheel (Carburetor Side)
8	699640	Breather Assembly			699658 Ring Set (Standard) (Used After Code Date 030803000 and Before Code Date 04111500).	37A	691209	Guard-Flywheel (Muffler Side)
9	*Δ695890	Gasket-Breather			498680 Ring Set (Standard) (Used After Code Date 96020500 and Before Code Date 03080400).	40	692194	Retainer-Valve
10	691666	Screw (Breather Assembly)			498682 Ring Set (.020" Oversize) (Used After Code Date 96020500).	43	698690	Slinger-Governor/Oil (Used After Code Date 02110400).
11	691245	Tube-Breather						----- Note -----
12	*692218	Gasket-Crankcase (.015" Thick) (Standard)						691983 Slinger-Governor/Oil (Used Before Code Date 02110500).
		----- Note -----						
		270895 Gasket-Crankcase (.005" Thick)				45	691762	Tappet-Valve
		270896 Gasket-Crankcase (.009" Thick)				46	691998	Camshaft
						50	699644	Manifold-Intake (Used After Code Date 03080300).
13	691640	Screw (Cylinder Head)						----- Note -----
15	691680	Plug-Oil Drain	27	691588	Lock-Piston Pin			693446 Manifold-Intake (Used Before Code Date 03080400).
16A	692991	Crankshaft Used on Type No(s). 1651, 1652.	28	699659	Pin-Piston (Standard) (Used After Code Date 03080300).			
					----- Note -----	51	*699649	Gasket-Intake (Used After Code Date 03080300).
16B	690805	Crankshaft Used on Type No(s). 0050, 0051.			298909 Pin-Piston (Standard) (Used Before Code Date 03080400).	51A	*270345	Gasket-Intake (Used Before Code Date 03080400).
20	*391483	Seal-Oil (PTO Side)						
22	692551	Screw (Crankcase Cover/Sump)				54	691111	Screw (Intake Manifold)
23	690843	Flywheel				55	692144	Housing-Rewind Starter
24	222698	Key-Flywheel				57	490179	Spring-Rewind Starter (Used Before Code Date 97120500).
						58	697316	Rope-Starter (88 5/8" Long)

* Engine Gasket Set-Reference 358

Δ Valve Gasket Set-Reference 1095

9B900

REF. NO.	PART NO.	DESCRIPTION	REF. NO.	PART NO.	DESCRIPTION	REF. NO.	PART NO.	DESCRIPTION
58A	280399	Rope–Starter (99" Long)	190	691640	Screw (Fuel Tank) (1 3/4" Long)	300	692307	Muffler (Super Lo Tone)
59	396892	Insert–Grip				300A	394569	Muffler (Round Lo Tone)
60	691915	Grip–Starter Rope	190A	692198	Screw (Fuel Tank) (1/2" Long)	304	692536	Housing–Blower (Non–Compliance Engines)
60A	393152	Grip–Starter Rope				305	692198	Screw (Blower Housing)
65	690837	Screw (Rewind Starter)	200	691912	Blade–Governor	332	690662	Nut (Flywheel)
66	399671	Clutch–Starter (Used Before Code Date 97060600).	201	690347	Link–Air Vane	333	496914	Armature–Magneto
67	394897	Housing–Clutch (Used Before Code Date 97060600).	209	690252	Spring–Governor (Pink) Used on Type No(s). 1652.	334	691061	Screw (Magneto Armature) (1" Long)
68	691604	Ball–Clutch (Used Before Code Date 97060600).			----- Note ----- 690252 Spring– Governor Used on Type No(s). 0050.	337	802592	Plug–Spark ----- Note ----- 697451 Plug–Spark Used on Type No(s). 1651.
70	691945	Ratchet–Clutch				346	690661	Screw (Spark Arrestor)
71	691359	Cover–Ratchet				356	692390	Wire–Stop
73	691725	Screen–Rotating (Used Before Code Date 97120500). Used on Type No(s). 0050, 0051.				356A	398808	Wire–Stop
73A	699850	Screen–Rotating (Used After Code Date 03082400). Used on Type No(s). 1651, 1652.				358	699933	Gasket Set–Engine
73B	694018	Screen–Rotating (Used Before Code Date 03082500). Used on Type No(s). 1651, 1652.				363	19069	Puller–Flywheel
74	691627	Screw (Rotating Screen)				365	790029	Screw (Carburetor)
75	691736	Washer (Flywheel)				383	89838	Wrench–Spark Plug
78	692198	Screw (Flywheel Guard)				390	691839	Spring–Choke Diaphragm
81	691179	Lock–Muffler Screw				393	691837	Screen–Carburetor
90	498809	Carburetor (Used After Code Date 96051900). ----- Note ----- 494775 Carburetor (Used Before Code Date 96052000).	211	691859	Spring–Governed Idle	394	495770	Diaphragm–Carburetor
			222A	691445	Bracket–Control	426	691107	Screw (Governor Blade)
			257	691660	Screw (Starter Clutch)	455	691236	Cup–Flywheel
			265	692179	Clamp–Casing	456	692299	Plate–Pawl Friction
			267	691044	Screw (Casing Clamp)	459	281505	Pawl–Ratchet
			268	691072	Casing–Control Wire (Cut To Required Length)	523	692040	Dipstick
			269	691026	Wire–Control (Cut To Required Length)	523A	691913	Dipstick
			270	691027	Nut (Control Wire Casing)	524	691876	Seal–Dipstick Tube
			271	691028	Lever–Control	525	691320	Tube–Dipstick
188	692198	Screw (Control Bracket)	287	691002	Screw (Dipstick Tube)	529	692189	Grommet
						534	691417	Screw (Air Cleaner)
						535	698369	Filter–Air Cleaner Foam (Used After Code Date 02101000).
						535A	272235	Filter–Air Cleaner Foam (Used Before Code Date 02101100).

★ Engine Gasket Set–Reference 358

△ Valve Gasket Set–Reference 1095

9B900

REF. NO.	PART NO.	DESCRIPTION	REF. NO.	PART NO.	DESCRIPTION	REF. NO.	PART NO.	DESCRIPTION		
536	698472	Cleaner–Air	832A	699670	Guard–Muffler (Round Lo Tone)	883	691880	Gasket–Exhaust		
592	690800	Nut (Rewind Starter)	836	690664	Screw (Muffler Guard)	913	494409	Seat–Check Valve		
597	691696	Screw (Pawl Friction Plate)	842	★691870	Seal–O Ring (Dipstick Tube)	930	691330	Guard–Rewind Used on Type No(s). 0050, 0051.		
608	499706	Starter–Rewind (Used After Code Date 97092800).	847	691440	Dipstick/Tube Assembly	930B	691348	Guard–Rewind Used on Type No(s). 1651, 1652.		
608A	499925	Starter–Rewind (For Use On Engines Without Brake)	851	493880	Terminal–Spark Plug	957	497929	Cap–Fuel Tank		
612	496046	Tube–Pick Up	869	699641	Seat–Valve (Intake) (Used After Code Date 03080300).	957A	791129	Cap–Fuel Tank Used on Type No(s). 1651, 1652.		
613	691413	Screw (Muffler)			----- Note -----	976	694394	Primer–Carburetor		
617	270344	Seal–O Ring (Intake Manifold)			691701 Seat–Valve (Intake) (Used Before Code Date 03080400).	994	398067	Arrestor–Spark		
621	692310	Switch–Stop			870	699642	Seat–Valve (Exhaust) (Used After Code Date 03080300).	1019	496757	Kit–Label
633	691321	Seal–Choke/Throttle Shaft (Throttle)						1036		Label–Emissions (Available from Authorized Briggs & Stratton Service Dealer)
635	66538	Boot–Spark Plug						1058	275508	Operator’s Manual
643	691911	Retainer–Air Filter (Used Before Code Date 02110600).						1095	498526	Gasket Set–Valve
668	692889	Spacer (Cylinder)						1210	499901	Pulley/Spring Assembly (Pulley)
670	691633	Spacer–Fuel Tank (Used After Code Date 97071300).						1211	499901	Pulley/Spring Assembly (Spring)
		----- Note -----						1218	695866	Seal–O Ring (Carburetor)
		691631 Spacer–Fuel Tank (Used Before Code Date 97071400).						1330	270962	Repair Manual
689	691855	Spring–Friction								
718	690959	Pin–Locating (Cylinder)								
718A	499047	Pin–Locating (Crankshaft)								
724	697478	Retainer–Seal								
741	691805	Gear–Timing								
832	699299	Guard–Muffler (Super Lo Tone)								

★ Engine Gasket Set–Reference 358

△ Valve Gasket Set–Reference 1095