



**95300**

# Illustrated Parts List

## Model Series

# 95300

TYPE NUMBERS  
0002, 0005, 0022, 0110,  
0266, 0328.

### TABLE OF CONTENTS

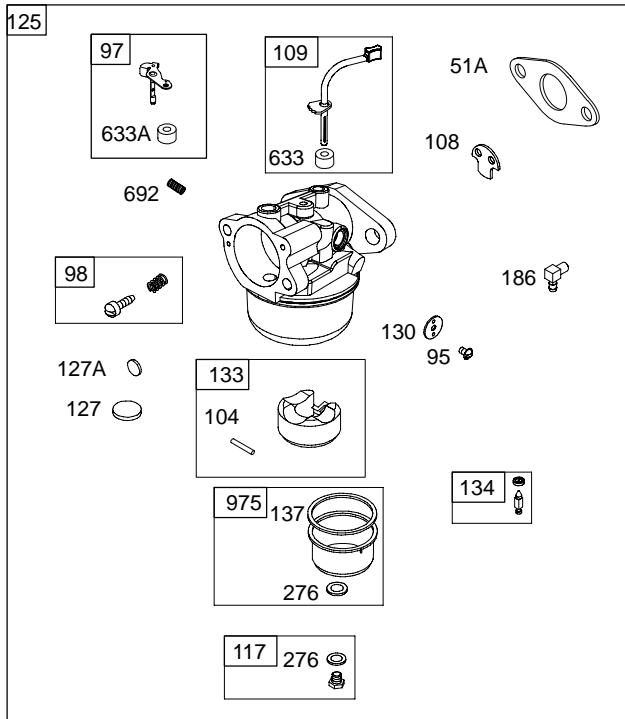
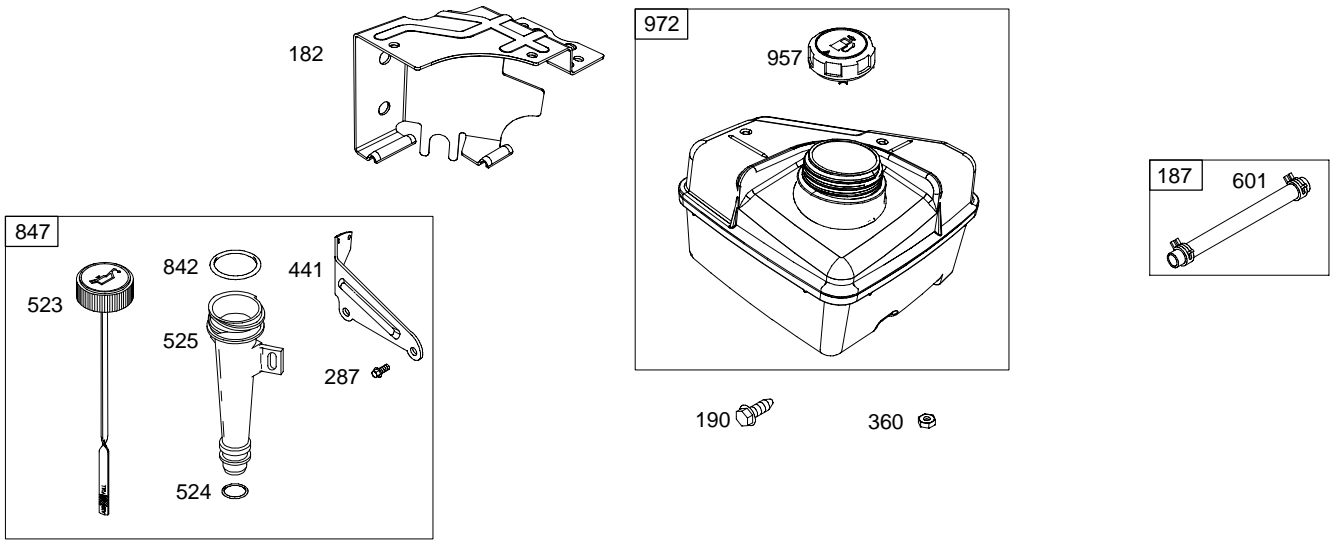
Air Cleaner .....	4
Blower Housing .....	4
Camshaft .....	2
Carburetor .....	3
Controls .....	4
Crankcase Cover .....	2
Crankshaft .....	2
Cylinder .....	2
Cylinder Head .....	2
Exhaust System .....	4
Flywheel .....	5
Fuel Supply .....	3
Gasket Set-Engine .....	2
Gasket Set-Valve .....	2
Governor Spring .....	4
Ignition .....	4
Kits-Carburetor Overhaul .....	3
Oil .....	3
Piston, Rings, Connecting Rod .....	2
Rewind Starter .....	5
Valves .....	2



PRINTED IN U.S.A.

COPYRIGHT by BRIGGS & STRATTON CORPORATION  
All rights reserved. No part of this material may be reproduced or transmitted, in any form or by any means, electronic or mechanical, including photocopying, recording or by any information storage and retrieval system, without permission in writing from Briggs & Stratton Corporation.

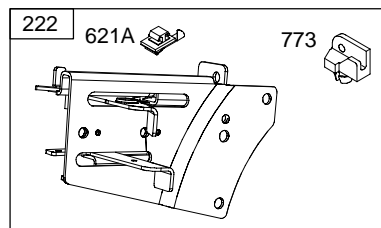
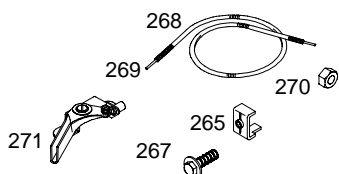
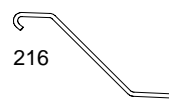
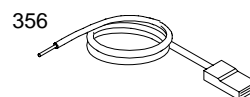
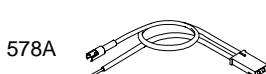
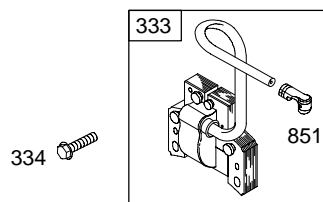




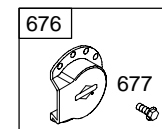
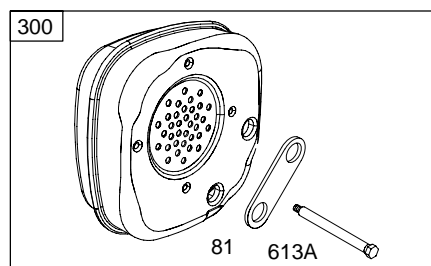
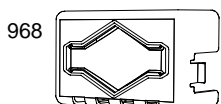
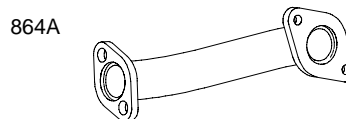
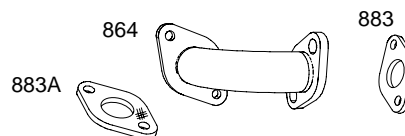
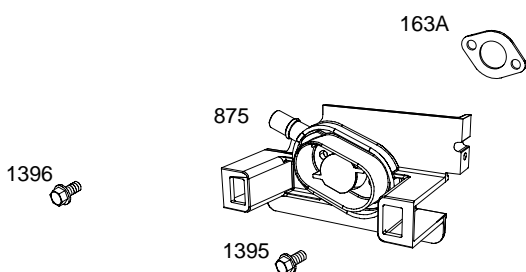
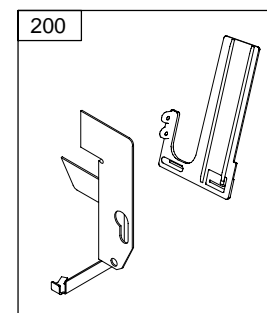
977 CARBURETOR GASKET SET		
137	276	633
163A		633A

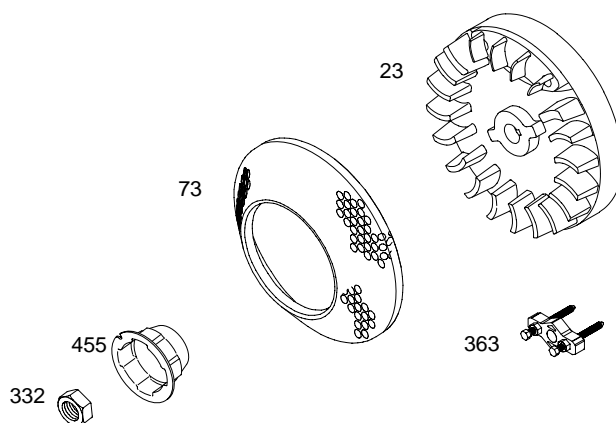
121 CARBURETOR OVERHAUL KIT			
51	127	137	276
51A	127A	163A	633
104	134		633A

# 95300



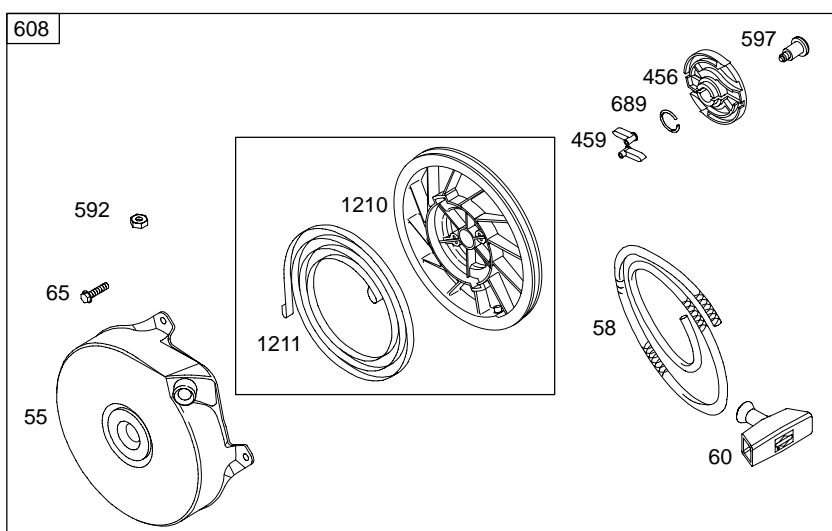
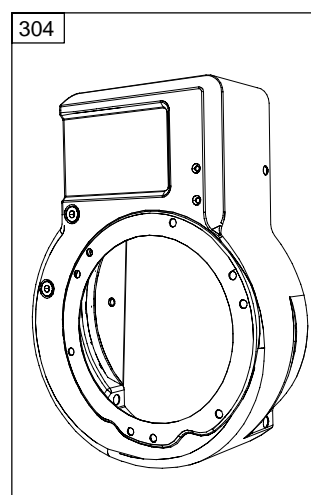
188





1019 LABEL KIT

1036 EMISSIONS LABEL



**95300**

REF. NO.	PART NO.	DESCRIPTION	REF. NO.	PART NO.	DESCRIPTION	REF. NO.	PART NO.	DESCRIPTION
1	494549	Cylinder Assembly	18	496679	Cover-Crankcase (Plain Bearing Cover) Used on Type No(s). 0002, 0022, 0328.	24	222698	Key-Flywheel
2	399269	Kit-Bushing/Seal (Magneto Side)			----- <b>Note</b> -----	25	790908	Piston Assembly (Standard) (Used After Code Date 05051800).
3	*299819	Seal-Oil (Magneto Side)			<b>497506</b> Cover-			----- <b>Note</b> -----
5	790169	Head-Cylinder			Crankcase			<b>498668</b> Piston Assembly (Standard) (Used Before Code Date 05051900).
7	*Δ698717	Gasket-Cylinder Head			(Plain Bearing Cover) (Flange Mount) Used on Type No(s). 0266.	26	790909	Ring Set (Standard) (Used After Code Date 05051800).
8	699448	Breather Assembly			<b>699406</b> Cover-			----- <b>Note</b> -----
9	*Δ695890	Gasket-Breather			Crankcase			<b>695169</b> Ring Set (Standard) (Used Before Code Date 05051900).
10	691666	Screw (Breather Assembly)			(Plain Bearing Cover) Used on Type No(s). 0005, 0110.			<b>695172</b> Ring Set (.020" Oversize) (Used Before Code Date 05051900).
11	790162	Tube-Breather	19	399269	Kit-Bushing/Seal (PTO Side)			<b>69172</b> Ring Set (.020" Oversize) (Used Before Code Date 05051900).
12	*692218	Gasket-Crankcase (.015" Thick) (Standard)	20	692020	Seal-Oil (PTO Side)			<b>691588</b> Lock-Piston Pin
		----- <b>Note</b> -----	20A	299819	Seal-Oil (PTO Side)	27	691588	Pin-Piston (Standard) (Used After Code Date 05051800).
		*270895 Gasket-Crankcase (.005")	21	281658	Cap-Oil Fill	28	699659	Pin-Piston (Standard) (Used After Code Date 05051800).
		*270896 Gasket-Crankcase (.009")	22	691129	Screw (Crankcase Cover/Sump)			----- <b>Note</b> -----
13	691640	Screw (Cylinder Head)			----- <b>Note</b> -----			<b>298909</b> Pin-Piston (Standard) (Used Before Code Date 05051900).
14	690361	Stud (Cylinder Head)			<b>693732</b> Screw (Crankcase Cover/Sump) Used on Type No(s). 0022, 0328.			<b>298908</b> Pin-Piston (.005" Oversize) (Used Before Code Date 05051900).
15	691686	Plug-Oil Drain			(Used in Positions 1 and 6)			<b>699655</b> Rod-Connecting (Standard) (Used After Code Date 05051800).
15A	691682	Plug-Oil Drain			<b>691128</b> Screw (Crankcase Cover/Sump) Used on Type No(s). 0266.	29	699655	----- <b>Note</b> -----
16	791415	Crankshaft (Use Reference 741 Timing Gear) Used on Type No(s). 0002, 0005, 0266.			(Used in Positions 1 and 6)			<b>294367</b> Rod-Connecting (Standard) (Used Before Code Date 05051900).
		----- <b>Note</b> -----			<b>691128</b> Screw (Crankcase Cover/Sump) Used on Type No(s). 0266.			
		<b>791414</b> Crankshaft (Use Reference 741 Timing Gear) Used on Type No(s). 0022.			(Used in Positions 1 and 6)			
		<b>791416</b> Crankshaft (Use Reference 741 Timing Gear) Used on Type No(s). 0328.	23	690843	Flywheel			
		<b>691474</b> Crankshaft (Use Reference 741 Timing Gear) Used on Type No(s). 0110.			----- <b>Note</b> -----			
					<b>791119</b> Flywheel Used on Type No(s). 0110, 0266.			

\* Engine Gasket Set-Reference 358  
● Carburetor Overhaul Kit-Reference 121

◆ Carburetor Gasket Set-Reference 977  
Δ Valve Gasket Set-Reference 1095

**95300**

REF. NO.	PART NO.	DESCRIPTION	REF. NO.	PART NO.	DESCRIPTION	REF. NO.	PART NO.	DESCRIPTION
30	691719	Dipper-Connecting Rod	187	791766	Line-Fuel (Cut to Required Length) (Used After Code Date 05063000).	308	690462	Cover-Cylinder Head
32	691664	Screw (Connecting Rod)				332	690662	Nut (Flywheel)
33	296676	Valve-Exhaust				333	496914	Armature-Magneto
34	296677	Valve-Intake				334	691061	Screw (Magneto Armature)
35	690520	Spring-Valve (Intake)				337	802592	Plug-Spark
36	690520	Spring-Valve (Exhaust)				356	692390	Wire Stop Used on Type No(s). 0110, 0266, 0328.
37	690463	Guard-Flywheel				358	496865	Gasket Set-Engine
40	692194	Retainer-Valve	188	691637	Screw (Control Bracket)	360	691105	Nut (Fuel Tank Bracket)
45	691762	Tappet-Valve				363	19069	Puller-Flywheel
46	691998	Camshaft	190	690708	Screw (Fuel Tank)	365	691688	Screw (Carburetor)
51	★Δ273113	Gasket-Intake	200	791125	Blade-Governor	383	89838	Wrench-Spark Plug
51A	692283	Gasket-Intake	202	790168	Link-Mechanical Governor	431	790170	Elbow-Intake
55	692144	Housing-Rewind Starter	209	790356	Spring-Governor (White) Used on Type No(s). 0002, 0005, 0110.	441	690484	Bracket-Oil Fill
58	691921	Rope-Starter				445	790166	Filter-Air Cleaner Cartridge
60	691915	Grip-Starter Rope				455	691236	Cup-Flywheel
65	690837	Screw (Rewind Starter)				456	692299	Plate-Pawl Friction
73	699850	Screen-Rotating				459	281505	Pawl-Ratchet
78	690364	Screw (Flywheel Guard)				523	495264	Dipstick
81	691729	Lock-Muffler Screw				524	691876	Seal-Dipstick Tube
95	691636	Screw (Throttle Valve)				525	694426	Tube-Dipstick
97	790270	Shaft-Throttle				529	★692189	Grommet (90 Degree)
98	398185	Kit-Idle Speed	211	790308	Spring-Governed Idle	529A	★692187	Grommet (45 Degree)
104	691242	Pin-Float Hinge	216	790271	Link-Choke	578A	696031	Wire Assembly Used on Type No(s). 0002, 0022.
108	692567	Valve-Choke	222	790164	Bracket-Control	592	690800	Nut (Rewind Starter)
109	790307	Shaft-Choke	265	691024	Clamp-Casing	597	691696	Screw (Pawl Friction Plate)
117	494870	Jet-Main (Standard)	267	693675	Screw (Casing Clamp)	598	791387	Shim-End Play (Used After Code Date 05013000). (For Pump Applicatons Only)
121	695157	Kit-Carburetor Overhaul	268	691025	Casing-Control Wire (Cut To Required Length)	601	95162	Clamp-Hose
125	790268	Carburetor	269	691026	Wire-Control (Cut To Required Length)	608	690101	Starter-Rewind
127	691739	Plug-Welch (5/16" Diameter)	270	691027	Nut (Control Wire Casing)	613A	691413	Screw (Muffler)
127A	694468	Plug-Welch (3/8" Diameter)	271	691028	Lever-Control	621A	692310	Switch-Stop
130	691181	Valve-Throttle	276	271716	Washer-Sealing			
133	398187	Float-Carburetor	287	695733	Screw (Dipstick Tube)			
134	398188	Kit-Needle/Seat	290	690953	Screw (Intake Elbow)			
137	693981	Gasket-Float Bowl	300	790272	Muffler			
163A	★272948	Gasket-Air Cleaner	304	790165	Housing-Blower			
182	790174	Bracket-Fuel Tank	305	692198	Screw (Blower Housing)			
186	692317	Connector-Hose	306	690461	Shield-Cylinder			
			307	691660	Screw (Cylinder Shield)			

★ Engine Gasket Set-Reference 358  
● Carburetor Overhaul Kit-Reference 121

◆ Carburetor Gasket Set-Reference 977  
Δ Valve Gasket Set-Reference 1095

# 95300

REF. NO.	PART NO.	DESCRIPTION	REF. NO.	PART NO.	DESCRIPTION	REF. NO.	PART NO.	DESCRIPTION
633	693867	Seal-Choke/Throttle Shaft (Choke)	823	699554	Screw (Muffler Adapter)	883	691881	Gasket-Exhaust (Between Adapter and Muffler)
633A	691321	Seal-Choke/Throttle Shaft (Throttle)	831	691099	Screw (Spring Anchor)	883A	★691880	Gasket-Exhaust (Between Adapter and Cylinder)
635	66538	Boot-Spark Plug	842	691870	Seal-O Ring (Dipstick Tube)	957	493988	Cap-Fuel Tank
676	393757	Deflector-Muffler Used on Type No(s). 0002, 0005, 0022, 0266.	847	694532	Dipstick/Tube Assembly	968	790172	Cover-Air Cleaner
		----- Note ----- 494423 Deflector-Muffler Used on Type No(s). 0110.	851	493880	Terminal-Spark Plug	972	790173	Tank-Fuel
677	690661	Screw (Muffler Deflector)	864	790273	Adapter-Muffler Used on Type No(s). 0002, 0005, 0110, 0266.	975	493640	Bowl-Float
689	691855	Spring-Friction	864A	791126	Adapter-Muffler Used on Type No(s). 0022, 0328.	977	695156	Gasket Set-Carburetor
692	690572	Spring-Detent	869	691701	Seat-Valve (Intake)	1019	699456	Kit-Label
718	690959	Pin-Locating (Cylinder)	870	691702	Seat-Valve (Exhaust)	1036		Label-Emissions (Available from Authorized Briggs & Stratton Service Dealer)
718A	499047	Pin-Locating (Crankshaft)	871	262001	Bushing-Valve Guide (Exhaust)	1058	276346	Operator's Manual
741	791124	Gear-Timing			----- Note ----- 63709 Bushing-Valve Guide (Intake)	1095	498525	Gasket Set-Valve
773	697325	Retainer				1210	499901	Pulley/Spring Assembly (Pulley)
780	691211	Anchor-Spring	875	790171	Base-Air Cleaner	1211	499901	Pulley/Spring Assembly (Spring)
						1330	270962	Repair Manual
						1395	692523	Screw (Air Cleaner Base)
						1396	691082	Screw (Remote Throttle Cable) Used on Type No(s). 0110.

★ Engine Gasket Set-Reference 358  
● Carburetor Overhaul Kit-Reference 121

◆ Carburetor Gasket Set-Reference 977  
△ Valve Gasket Set-Reference 1095