



**94200**

# Illustrated Parts List

## Model Series

# 94200

TYPE NUMBERS  
0104, 0115, 0117, 0118,  
0119, 0120, 0205, 0319.

### TABLE OF CONTENTS

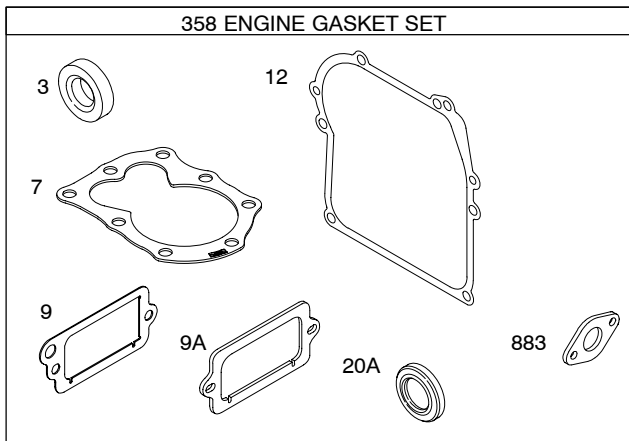
<b>Air Cleaner</b> .....	6
<b>Blower Housing</b> .....	7
<b>Cam</b> .....	2
<b>Carburetor</b> .....	4
<b>Controls</b> .....	5
<b>Crankcase Cover/Sump</b> .....	3
<b>Crankshaft</b> .....	2
<b>Cylinder</b> .....	2
<b>Flywheel</b> .....	7
<b>Fuel Tank</b> .....	4
<b>Governor Spring</b> .....	5
<b>Head</b> .....	2
<b>Ignition</b> .....	5
<b>Kits/Gaskets-Carburetor</b> .....	4
<b>Kits/Gaskets-Valves</b> .....	2
<b>Muffler</b> .....	6
<b>Piston</b> .....	2
<b>Rewind Starter</b> .....	7
<b>Valves</b> .....	2



PRINTED IN U.S.A.

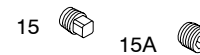
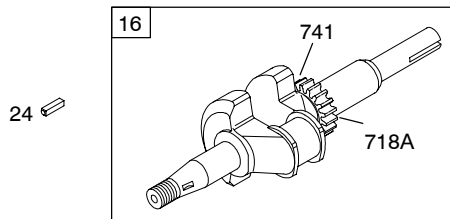
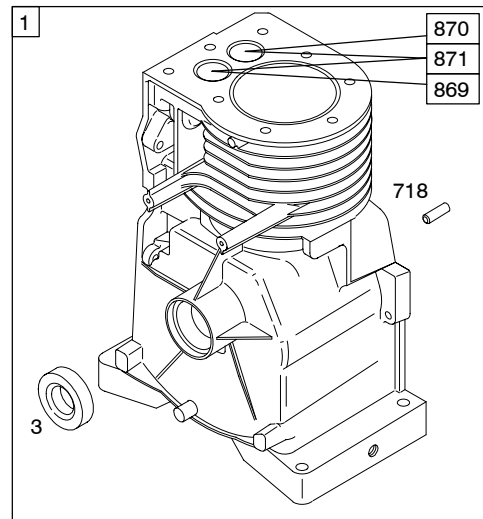
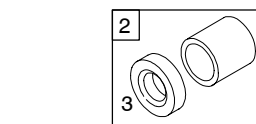
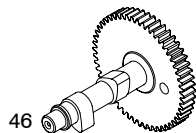
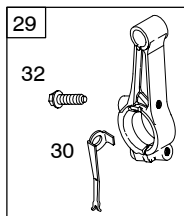
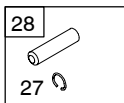
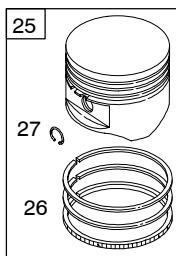
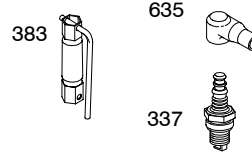
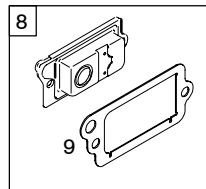
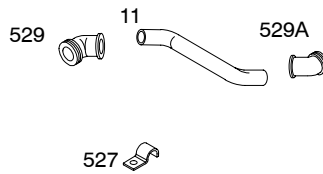
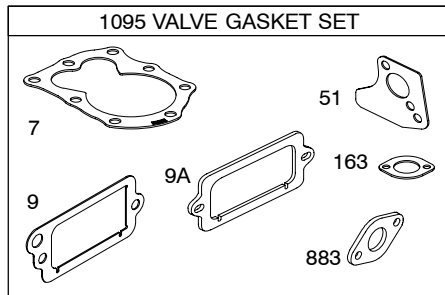
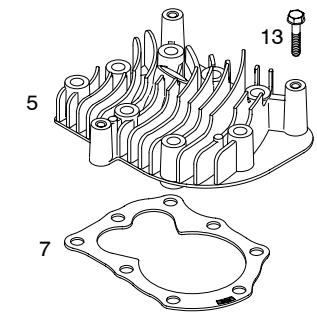
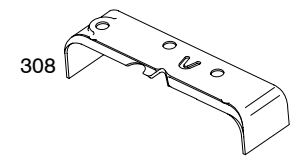
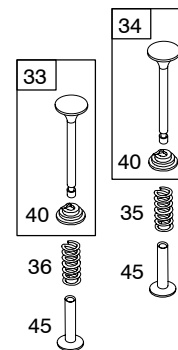
COPYRIGHT by BRIGGS & STRATTON CORPORATION  
All rights reserved. No part of this material may be reproduced or transmitted, in any form or by any means, electronic or mechanical, including photocopying, recording or by any information storage and retrieval system, without permission in writing from Briggs & Stratton Corporation.

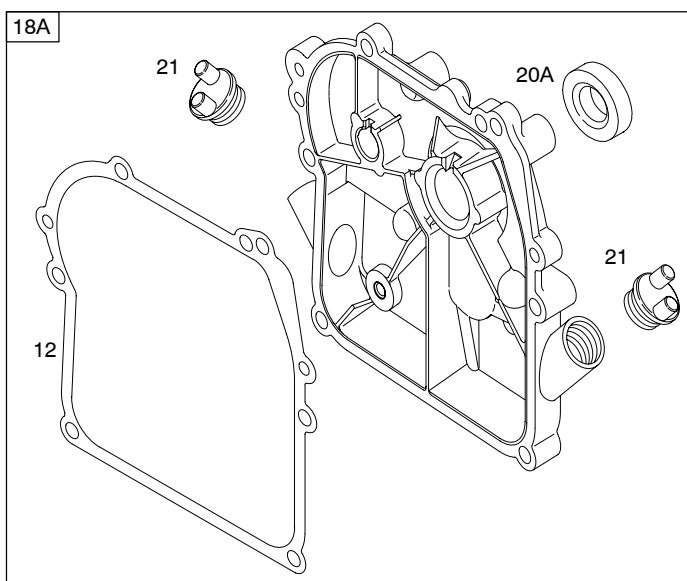
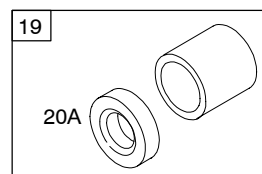
# 94200



1058 OPERATOR'S MANUAL

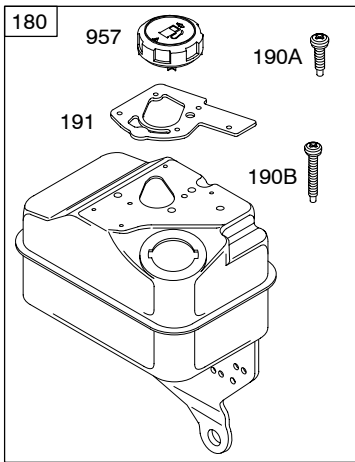
1330 REPAIR MANUAL



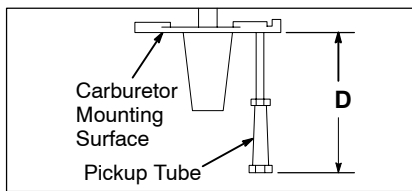
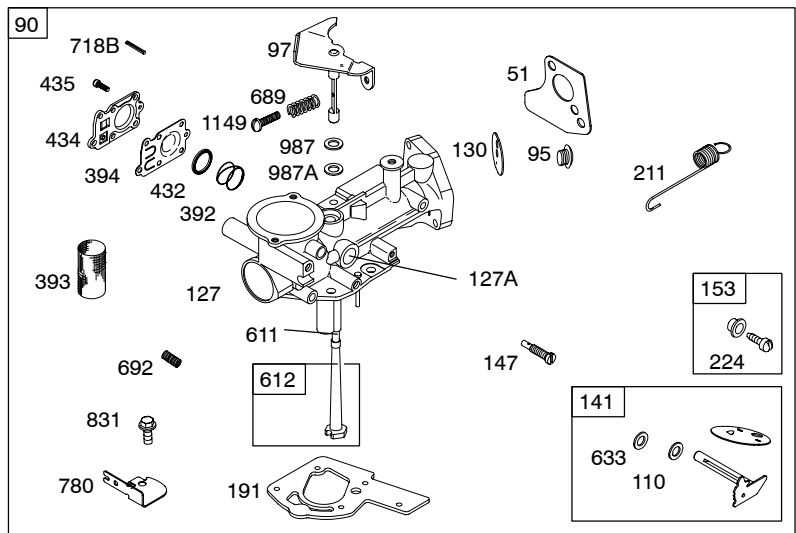
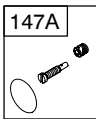
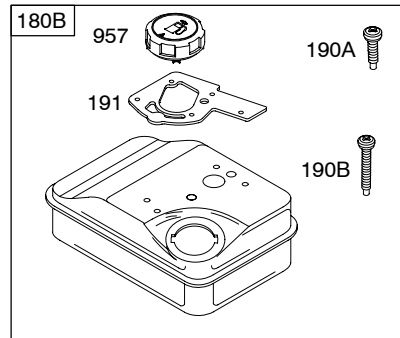


# 94200

## 2 and 3 QUART



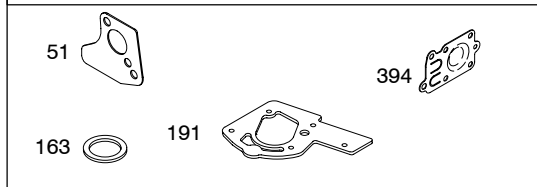
## 1 QUART

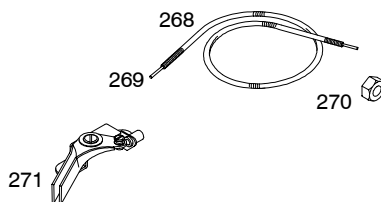
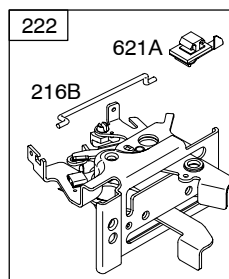
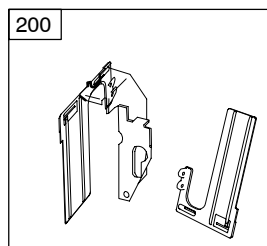
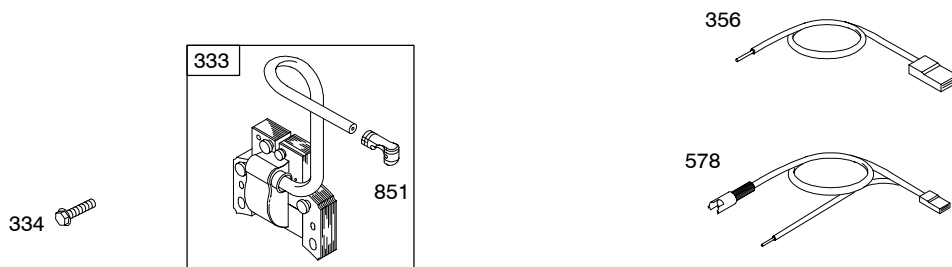


To replace carburetor assembly, determine fuel tank capacity as shown.

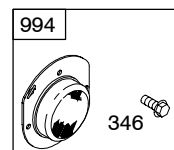
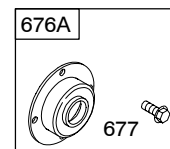
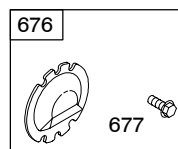
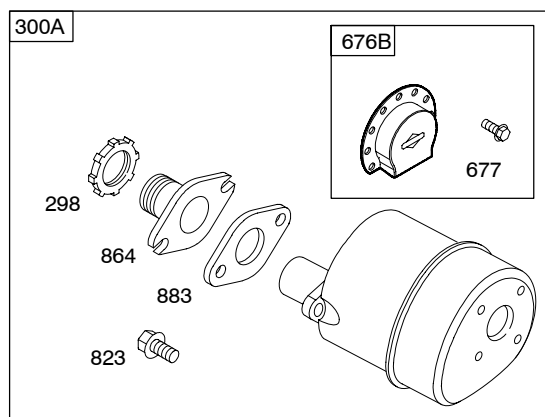
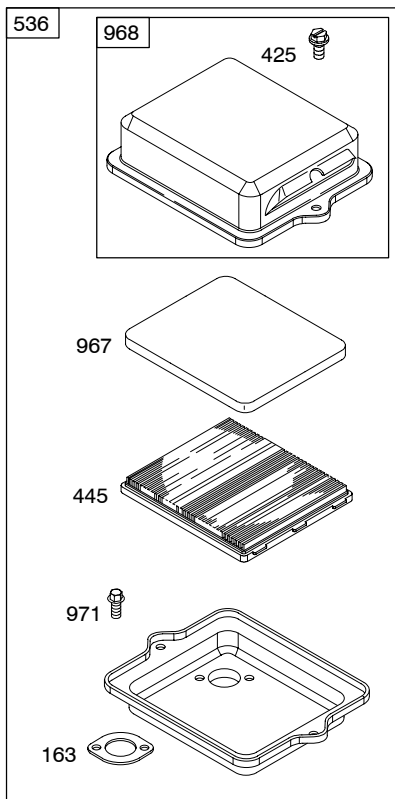
Fuel Tank Capacity (Quarts)	1	2	3
D (Inches)	2-5/16	4-1/4	4-7/8

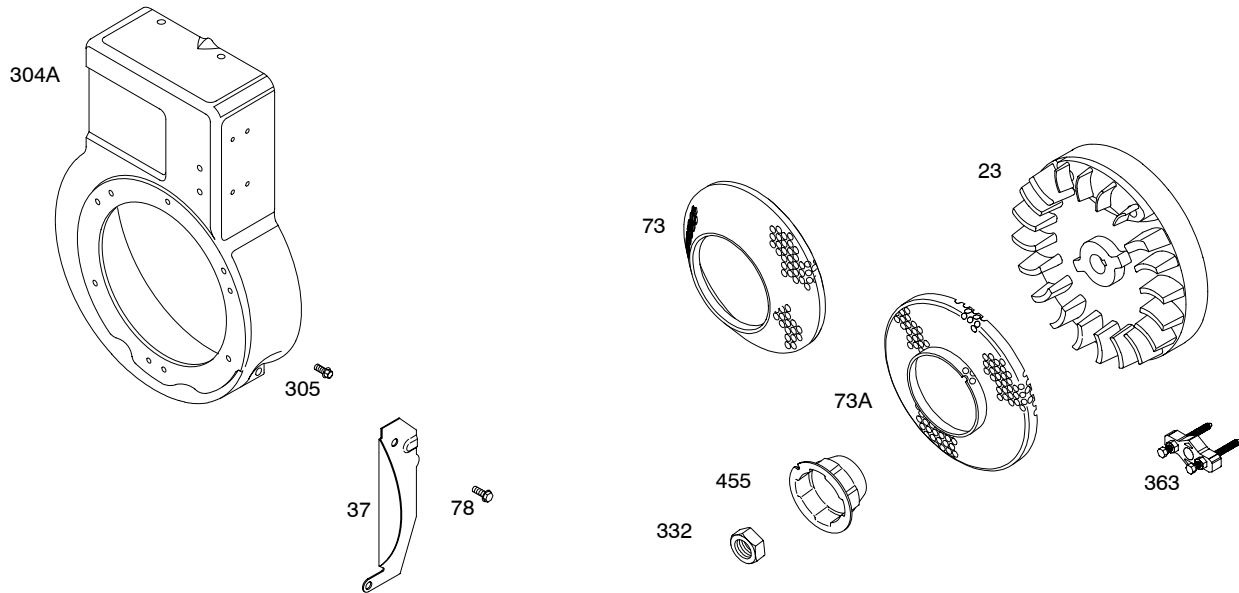
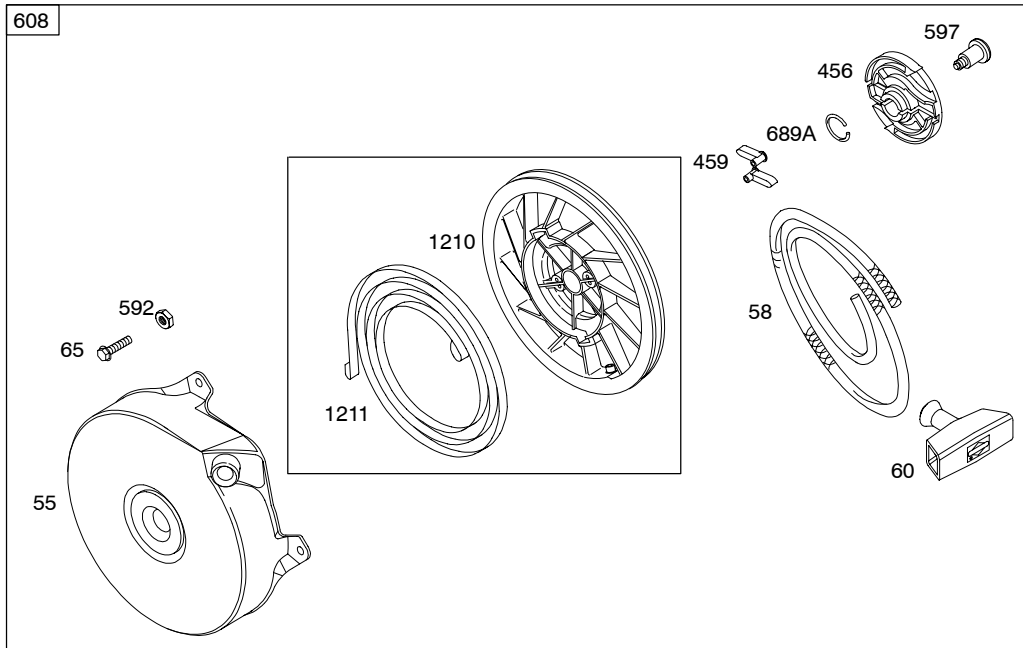
### 121 CARBURETOR OVERHAUL KIT





# 94200





1019 LABEL KIT

1036 EMISSIONS LABEL

**94200**

REF. NO.	PART NO.	DESCRIPTION	REF. NO.	PART NO.	DESCRIPTION	REF. NO.	PART NO.	DESCRIPTION
1	494549	Cylinder Assembly	18A	699406	Cover-Crankcase Used on Type No(s). 0104, 0115, 0117, 0118, 0119.	25	790908	Piston Assembly (Standard) (Used After Code Date 05051800).
2	399269	Kit-Bushing/Seal (Magneto Side)			----- <b>Note</b> -----			----- <b>Note</b> -----
3	299819s	Seal-Oil (Magneto Side)			<b>496679</b> Cover- Crankcase			<b>498668</b> Piston Assembly (Standard) (Used Before Code Date 05051900).
5	790169	Head-Cylinder			Used on Type No(s). 0120, 0205, 0319.			<b>498671</b> Piston Assembly (.030" Oversize) (Used Before Code Date 05051900).
7	698717	Gasket-Cylinder Head	19	399269	Kit-Bushing/Seal (PTO Side)			
8	791779	Breather Assembly	20A	299819s	Seal-Oil (PTO Side)			
9	695890	Gasket-Breather (Used After Code Date 03031900).			----- <b>Note</b> -----			
9A	27549s	Gasket-Breather (Used Before Code Date 03032000).			<b>692020</b> Seal-Oil (PTO Side)	26	790909	Ring Set (Used After Code Date 05051800).
10	691666	Screw (Breather Assembly)			Used on Type No(s). 0120, 0205, 0319.			----- <b>Note</b> -----
11	692528	Tube-Breather	21	281658s	Cap-Oil Fill			<b>695169</b> Ring Set (Standard) (Used Before Code Date 05051900).
12	692218	Gasket-Crankcase (.015" Thick, Standard)	22	691129	Screw (Crankcase Cover/Sump) (1 1/4" Long)			<b>695171</b> Ring Set (.010" Oversize) (Used Before Code Date 05051900).
		----- <b>Note</b> -----			----- <b>Note</b> -----			<b>695172</b> Ring Set (.020" Oversize) (Used Before Code Date 05051900).
		★ <b>270895</b> Gasket- Crankcase (.005" Thick)			<b>693732</b> Screw (Crankcase Cover/Sump) (Used In Positions 1 and 6) (7/8" Long)			<b>695173</b> Ring Set (.030" Oversize) (Used Before Code Date 05051900).
		★ <b>270896</b> Gasket- Crankcase (.009" Thick)			Used on Type No(s). 0120, 0205, 0319.			<b>695177</b> Ring Set (.010" Oversize) (Used Before Code Date 05051900).
13	691640	Screw (Cylinder Head)	23	690843	Flywheel			<b>695178</b> Lock-Piston Pin
15	691686	Plug-Oil Drain			----- <b>Note</b> -----			<b>699659</b> Pin-Piston (Standard) (Used After Code Date 05051800).
15A	691682	Plug-Oil Drain (Carburetor Side) Used on Type No(s). 0115, 0117, 0118, 0319.			<b>699573</b> Flywheel Used on Type No(s). 0117.	27	691588	
						28	699659	
16	791414	Crankshaft Used on Type No(s). 0104, 0115, 0118.	24	222698s	Key-Flywheel			----- <b>Note</b> -----
		----- <b>Note</b> -----						<b>298909</b> Pin-Piston (Standard) (Used Before Code Date 05051900).
		<b>691474</b> Crankshaft Used on Type No(s). 0117.						<b>298908</b> Pin-Piston (.005" Oversize) (Used Before Code Date 05051900).
		<b>791416</b> Crankshaft Used on Type No(s). 0319.						
		<b>691473</b> Crankshaft Used on Type No(s). 0119, 0120, 0205.						



REF. NO.	PART NO.	DESCRIPTION	REF. NO.	PART NO.	DESCRIPTION	REF. NO.	PART NO.	DESCRIPTION
29	699655	Rod-Connecting	95	691437	Screw	211	691289	Spring-Governed Idle
30	691719	Dipper-Connecting Rod			(Throttle Valve)	216B	692904	Link-Choke
32	691664	Screw (Connecting Rod)	97	692018	Shaft-Throttle	222	699132	Bracket-Control
33	296676	Valve-Exhaust	110	690401	Washer (Choke Shaft)	224	690320	Screw (Collar/Screw Kit)
34	296677	Valve-Intake	121	495606	Kit-Carburetor Overhaul	268	691025	Casing-Control Wire (72" Long) (Cut to Required Length)
35	690520	Spring-Valve (Intake)	127	691718	Plug-Welch (Carburetor Body)			----- <b>Note</b> -----
36	690520	Spring-Valve (Exhaust)	127A	691742	Plug-Welch (Mixing Chamber)			<b>691072</b> Casing-Control Wire (48" Long) (Cut to Required Length)
37	690463	Guard-Flywheel	130	691743	Valve-Throttle			
40	692194	Retainer-Valve	141	497230	Kit-Choke Shaft			
45	691762	Tappet-Valve	147	691250	Jet-Pilot (Standard)			
46	691998	Camshaft	147A	499502	Jet-Pilot (High Altitude)	269	691026	Wire-Control (78" Long) (Cut to Required Length)
51	273113s	Gasket-Intake						
55	692144	Housing-Rewind Starter	153	490501	Kit-Collar/Screw			
58	691921	Rope-Starter (70" Long)	163	271935s	Gasket-Air Cleaner			
60	691915	Grip-Starter Rope	180	495377	Tank-Fuel (2 Quart) Used on Type No(s). 0115, 0117, 0118.	270	691027	Nut (Control Wire Casing)
65	690837	Screw (Rewind Starter)			----- <b>Note</b> -----	271	691028	Lever-Control
73	699850	Screen-Rotating (Used After Code Date 04032800).			<b>495391</b> Tank-Fuel (3 Quart)	298	691720	Locknut-Muffler/Elbow
73A	694018	Screen-Rotating (Used Before Code Date 04032900).	180B	495370	Tank-Fuel (1 Quart) Used on Type No(s). 0319.	300A	493288	Muffler
78	690364	Screw (Flywheel Guard)				304A	693004	Housing-Blower
90	499952	Carburetor Used on Type No(s). 0115, 0117, 0118. ----- <b>Note</b> ----- <b>499492</b> Carburetor Used on Type No(s). 0319. <b>499953</b> Carburetor Used on Type No(s). 0104, 0119, 0120, 0205.	188	692200	Screw (Control Bracket)	305	692198	Screw (Blower Housing)
			190	691685	Screw (Fuel Tank) (2/3" Long)	306	690461	Shield-Cylinder
			190A	692200	Screw (Fuel Tank) (3/4" Long)	307	691660	Screw (Cylinder Shield)
			190B	691687	Screw (Fuel Tank) (1 3/4" Long)	308	690462	Cover-Cylinder Head
			191	692241	Gasket-Fuel Tank	332	690662	Nut (Flywheel)
			200	498770	Blade-Governor	333	496914	Armature-Magneto
			201A	691305	Link-Air Vane	334	691061	Screw (Magneto Armature)
			209	692205	Spring-Governor (No Color) Used on Type No(s). 0104, 0115, 0117, 0118. ----- <b>Note</b> ----- <b>690563</b> Spring-Governor (White) Used on Type No(s). 0119, 0120, 0205, 0319.	337	802592s	Plug-Spark
						346	690661	Screw (Spark Arrester)
						356	692390	Wire-Stop Used on Type No(s). 0115, 0117, 0118, 0120, 0205, 0319.
						358	699933	Gasket Set-Engine
						363	19069	Puller-Flywheel
						365	690953	Screw (Carburetor)
						383	89838s	Wrench-Spark Plug

**94200**

REF. NO.	PART NO.	DESCRIPTION	REF. NO.	PART NO.	DESCRIPTION	REF. NO.	PART NO.	DESCRIPTION
392	691823	Spring-Pump Diaphragm	635	66538	Boot-Spark Plug Used on Type No(s). 0115, 0117, 0118, 0120, 0205, 0319.	957	494559	Cap-Fuel Tank
393	691213	Screen-Carburetor				967	491435s	Filter-Pre Cleaner
394	272538s	Diaphragm-Carburetor				968	692321	Cover-Air Cleaner
425	694515	Screw (Air Cleaner Cover)	676	393756	Deflector-Muffler Used on Type No(s). 0117, 0319.	971	690370	Screw (Air Cleaner Base to Carburetor)
432	690766	Cap-Spring	676A	397931	Deflector-Muffler Used on Type No(s). 0104.	987	692279	Seal-Throttle Shaft (Foam)
434	691713	Cover-Diaphragm	676B	393760	Deflector-Muffler Used on Type No(s). 0115, 0118.	987A	270167	Seal-Throttle Shaft (Felt)
435	691619	Screw (Diaphragm Cover)				994	398067	Arrestor-Spark
445	491588s	Filter-Air Cleaner Cartridge	677	690661	Screw (Muffler Deflector)	1019	699456	Kit-Label
455	691236	Cup-Flywheel	689	691783	Spring-Friction (Throttle Shaft)	1036		Label-Emissions (Available from Authorized Briggs & Stratton Service Dealer)
456	692299	Plate-Pawl Friction	689A	691855	Spring-Friction (Rewind Starter)	1058	276346	Operator's Manual
459	281505	Pawl-Ratchet	692	690572	Spring-Detent	1095	699450	Gasket Set-Valve
527	691741	Clamp-Tube	718	690959	Pin-Locating (Cylinder)	1149	691624	Screw (Throttle Shaft)
529	692189	Grommet (90 Degree)	718A	499047	Pin-Locating (Crankshaft)	1210	499901	Pulley/Spring Assembly (Pulley)
529A	692187	Grommet (45 Degree)	718B	690296	Pin-Locating (Diaphragm Cover)	1211	499901	Pulley/Spring Assembly (Spring)
536	494279	Cleaner-Air	741	791124	Gear-Timing (Used After Code Date 05013000).	1330	270962	Repair Manual
578	696031	Wire Assembly Used on Type No(s). 0104, 0119, 0120.	741A	691805	Gear-Timing (Used Before Code Date 05013100).			
592	690800	Nut (Rewind Starter)	780	691211	Anchor-Spring			
597	691696	Screw (Pawl Friction Plate)	823	692336	Screw (Muffler Adapter)			
608	690101	Starter-Rewind (70" Rope)	831	691099	Screw (Spring Anchor)			
611	690507	Pipe-Fuel Used on Type No(s). 0115, 0117, 0118. ----- <b>Note</b> ----- 691770 Pipe-Fuel Used on Type No(s). 0104, 0119, 0120, 0205.	851	493880s	Terminal-Spark Plug			
612	391813	Tube-Pickup Used on Type No(s). 0104, 0115, 0117, 0118, 0119, 0120, 0205. ----- <b>Note</b> ----- 297219s Tube-Pickup Used on Type No(s). 0319.	864	690776	Adapter-Muffler			
621A	692310	Switch-Stop	869	691701	Seat-Valve (Intake)			
633	691869	Seal-Choke/Throttle Shaft	870	691702	Seat-Valve (Exhaust)			
			871	262001	Bushing-Valve Guide (Exhaust) ----- <b>Note</b> ----- 63709 Bushing-Valve Guide (Intake)			
			883	*691314	Gasket-Exhaust			