



084100

Illustrated Parts List

Model Series

084100

TYPE NUMBERS
0120, 0196.

TABLE OF CONTENTS

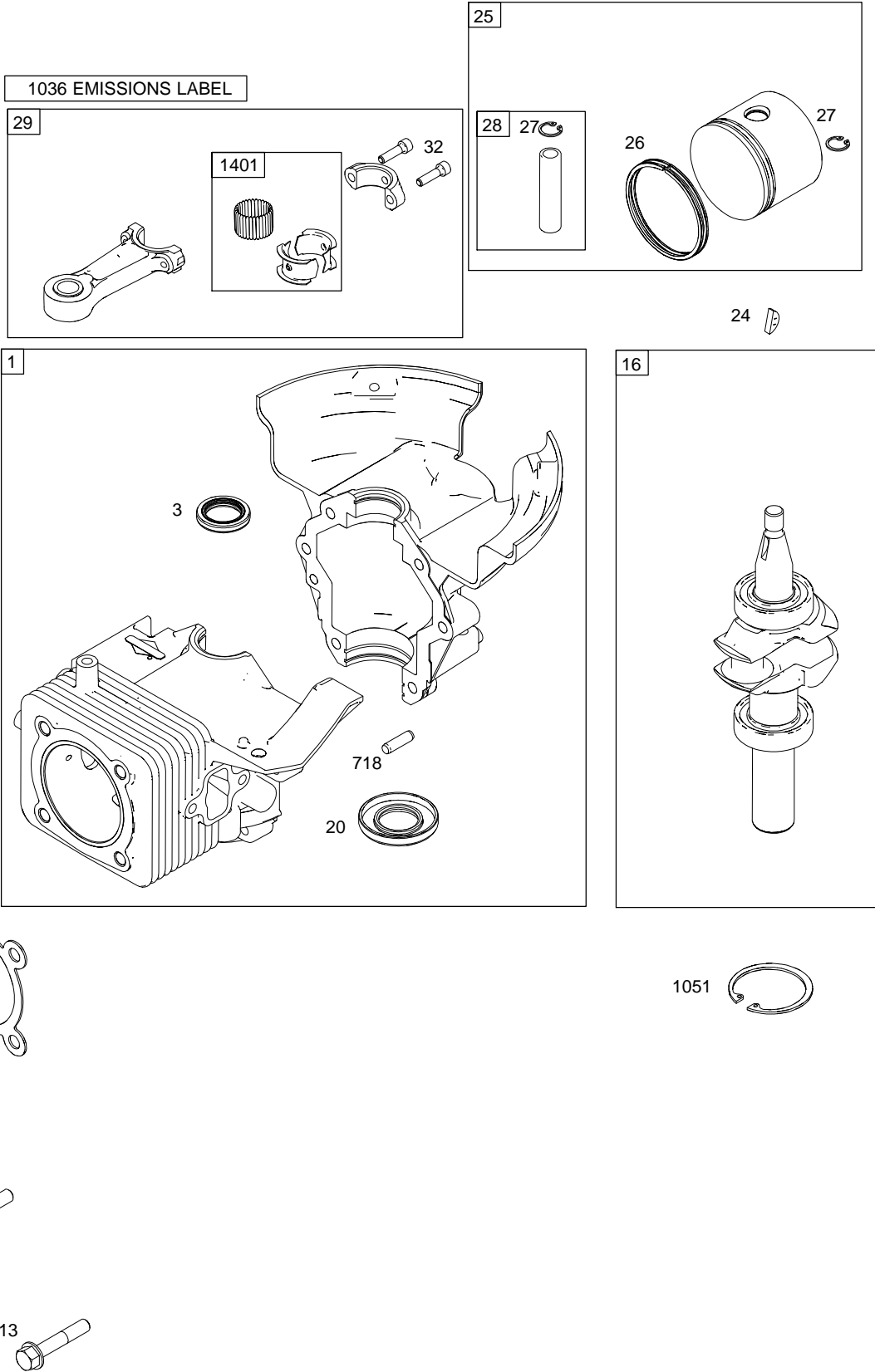
- Blower Housing/Shrouds** 4
- Carburetor** 3
- Crankcase Cover/Sump** 2
- Crankshaft** 2
- Cylinder Head** 2
- Electric Start** 4
- Exhaust System** 3
- Flywheel** 4
- Governor Spring** 3
- Ignition** 4
- Kit-Carburetor Overhaul** 3
- Piston, Rings, Connecting Rod** 2
- Rewind Starter** 4

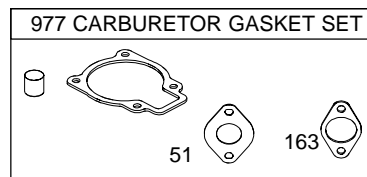
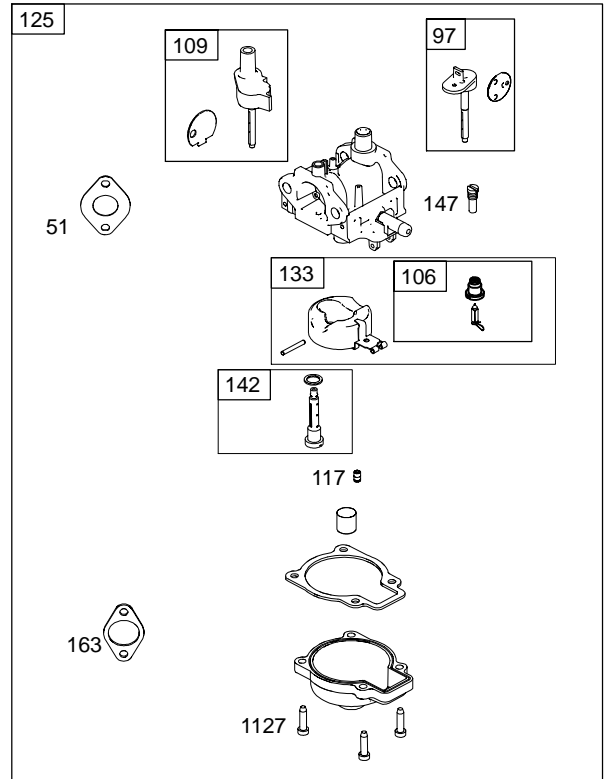
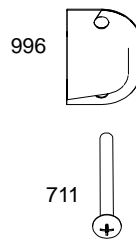
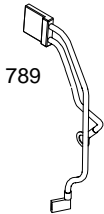
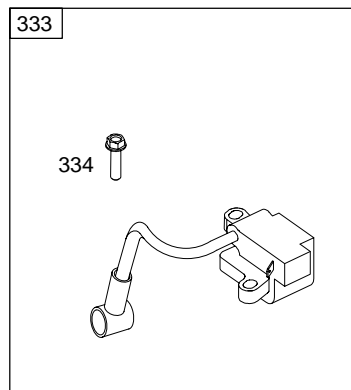
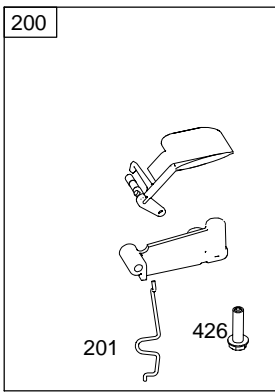
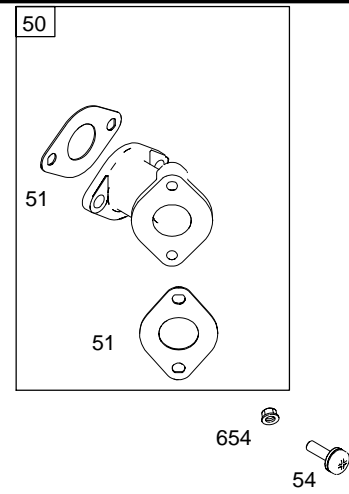
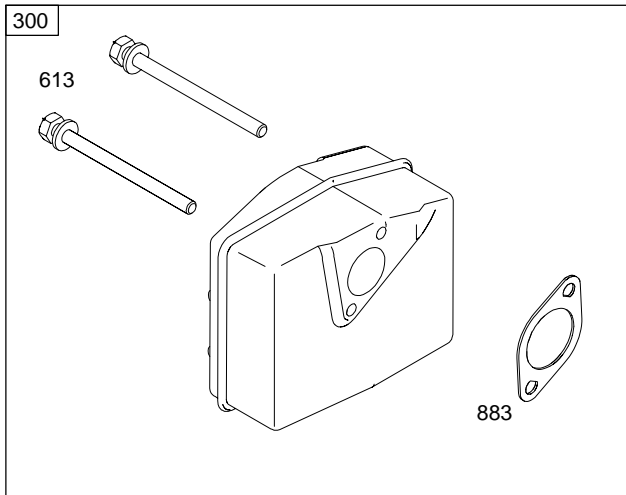


PRINTED IN U.S.A.

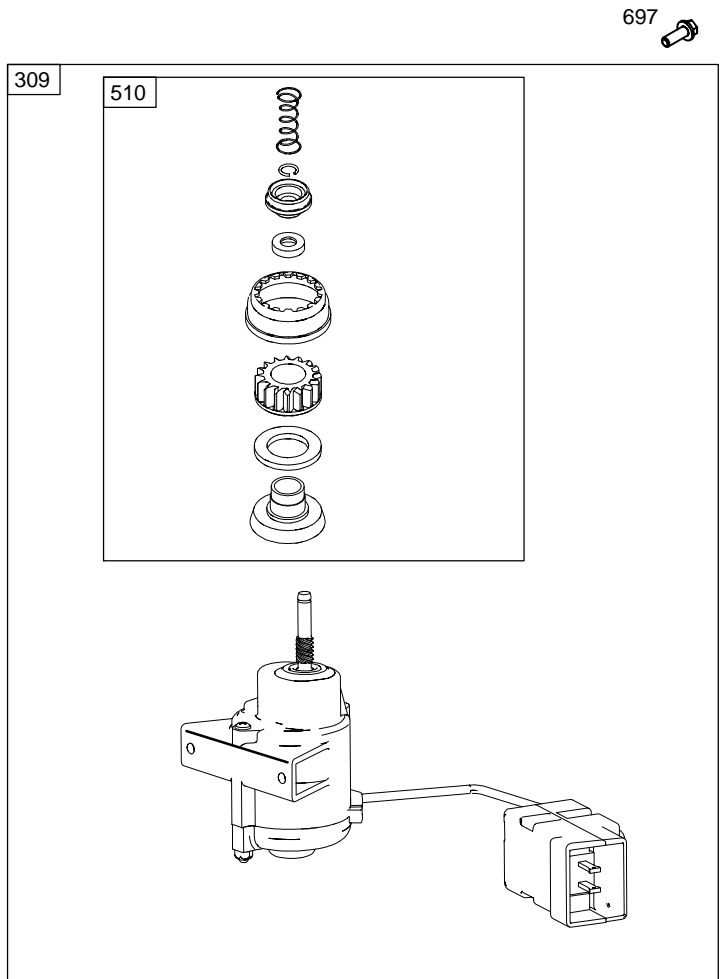
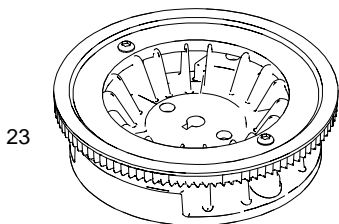
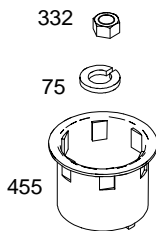
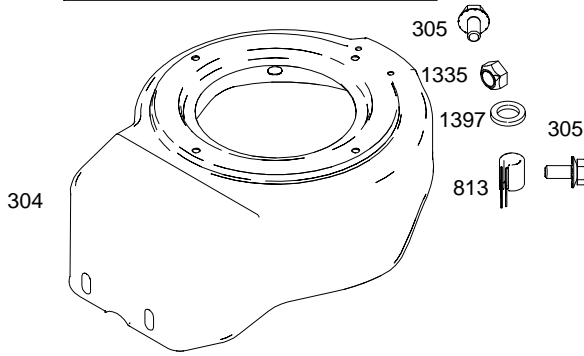
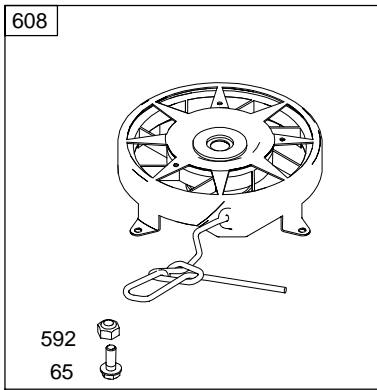
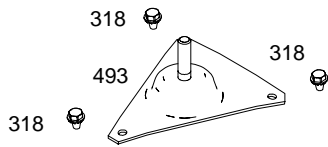
COPYRIGHT by BRIGGS & STRATTON CORPORATION
All rights reserved. No part of this material may be reproduced or transmitted, in any form or by any means, electronic or mechanical, including photocopying, recording or by any information storage and retrieval system, without permission in writing from Briggs & Stratton Corporation.

084100





084100



REF. NO.	PART NO.	DESCRIPTION	REF. NO.	PART NO.	DESCRIPTION	REF. NO.	PART NO.	DESCRIPTION
1	801260	Cylinder Assembly (Non Boost, Rewind Start)	75	801237	Washer (Flywheel)	337	801254	Plug-Spark
		----- Note -----	97	801306	Shaft-Throttle	426	801231	Screw (Governor Blade)
	801322	Cylinder Assembly (Non Boost, Electric Start) Used on Type No(s). 0196.	106	801317	Seat-Inlet	455	801235	Cup-Flywheel
3	801262	Seal-Oil (Magneto Side)	109	801307	Shaft-Choke	493	801240	Bracket-Mounting
5	801283	Head-Cylinder	117	801310	Jet-Main	510	801293	Drive-Starter Used on Type No(s). 0196.
7	801263	Gasket-Cylinder Head	125	801233	Carburetor	592	801244	Nut (Rewind Starter)
13	801264	Screw (Cylinder Head)	133	801316	Float-Carburetor	608	801242	Starter-Rewind
14	801265	Stud (Cylinder Head)	142	801313	Nozzle-Carburetor	613	801251	Screw (Muffler)
16	801220	Crankshaft	147	801308	Jet-Pilot	654	801324	Nut (Intake Manifold) (Used Before Code Date 05042600).
20	801261	Seal-Oil (PTO Side)	163	801227	Gasket-Air Cleaner	697	801248	Screw (Starter Motor) Used on Type No(s). 0196.
22	801266	Screw (Crankcase Cover/ Sump)	200	801289	Blade-Governor	711	801229	Screw (Carburetor Shield)
22A	801271	Screw (Crankcase Cover/ Sump)	201	801225	Link-Air Vane	718	690959	Pin-Locating
23	801246	Flywheel	209	801223	Spring-Governor	780	801228	Anchor-Spring
24	801234	Key-Flywheel	209	801223	Spring-Governor	789	801253	Wire Assembly
25	801279	Piston Assembly	300	801250	Muffler	813	801249	Clamp Used on Type No(s). 0196.
26	801280	Ring Set	304	801257	Housing-Blower ----- Note -----	883	801252	Gasket-Exhaust
27	801275	Lock-Piston Pin		801236	Housing-Blower Used on Type No(s). 0196.	977	801312	Gasket Set-Carburetor
28	801276	Pin-Piston		801328	Housing-Blower (Used on 230 Volt Electric Start Engines)	996	801226	Shield-Carburetor
29	801277	Rod-Connecting	305	801239	Screw (Blower Housing)	1051	801274	Ring-Retaining
32	801278	Screw (Connecting Rod)	309	801247	Motor-Starter Used on Type No(s). 0196.	1036	801294	Label-Emissions
50	801232	Manifold-Intake		801329	Motor-Starter (Used on 230 Volt Electric Start Engines)	1127	801318	Screw (Float Bowl)
51	801224	Gasket-Intake	318	801241	Screw (Mounting Bracket)	1335	801269	Nut (Blower Housing)
54	801230	Screw (Intake Manifold)	332	801238	Nut (Flywheel)	1397	801270	Washer (Blower Housing)
65	801243	Screw (Rewind Starter)	333	801268	Armature-Magneto	1401	801290	Roller-Strip
			334	801267	Screw (Magneto Armature)			