

# Illustrated Parts List

## Model Series

### 83400 to 83499

TYPE NUMBERS  
0101, 0105, 0106.

**TO FIND**  
**THE CORRECT NUMBER OF THE PART YOU NEED:**  
**FOLLOW THE INSTRUCTIONS BELOW**

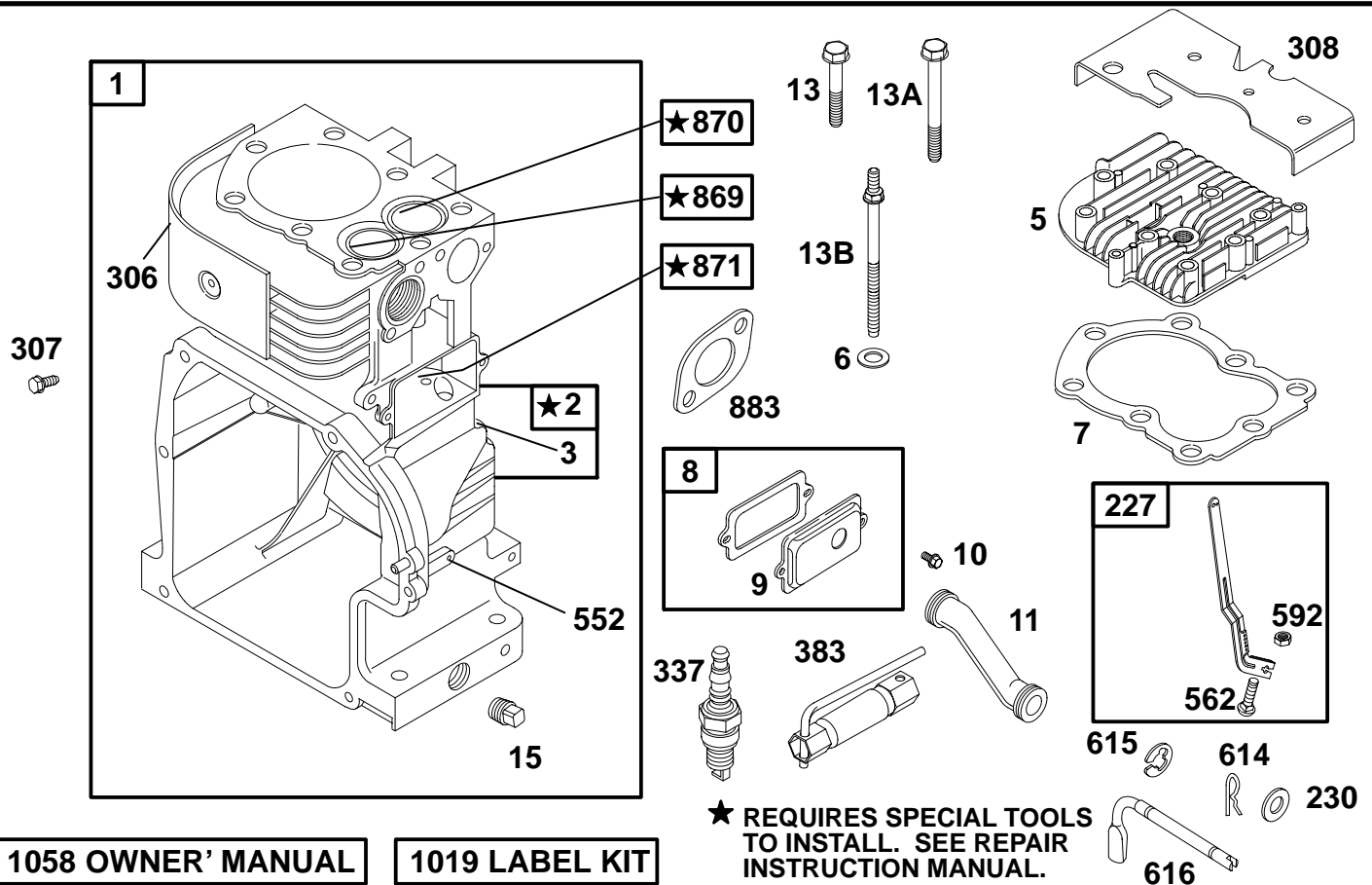
- A. Refer to Engine Model, Type and Code Number that is stamped on the blower housing of engine. Engine type numbers such as 0123 01 are listed only as 0123 in most instances. The two digits (01 or 02, etc.) to the right of the space may be required for more accurate parts identification in some instances. Select the Illustrated Parts List covering the correct Model Series and Type Number.
- B. Refer to the Illustrations and compare the original part with Illustration. The number next to the illustration is the Reference Number. Assemblies include all parts shown in frames. All parts shown in assembly frames having individual reference numbers can be purchased separately.
- C. After the Reference Number has been identified, refer to the Numerical text, where Reference and Primary Part Number are listed. **THE PRIMARY PART IS USED ON ALL TYPE NUMBERS EXCEPT THOSE TYPE NUMBERS UNDER "NOTE."**
- D. If a "Note" appears below the Primary Part Number, it means that this part differs from the Primary Part for certain types. If your Type number is listed under "Note," order the part referred to at the "Note."
- E. If your Engine Type Number does not appear after any part number listed under "Note," use the Primary Part Number.
- F. For Engine Type Numbers not covered by this book, check other Parts Lists having the same engine model or contact your source of supply.

PRINTED IN U.S.A.



COPYRIGHT by BRIGGS & STRATTON CORPORATION  
All rights reserved. No part of this material may be reproduced or transmitted, in any form or by any means, electronic or mechanical, including photocopying, recording or by any information storage and retrieval system, without permission in writing from Briggs & Stratton Corporation.

# 83400 to 83499



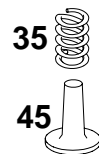
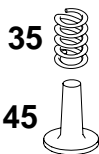
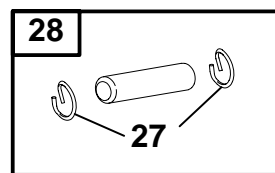
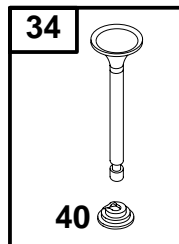
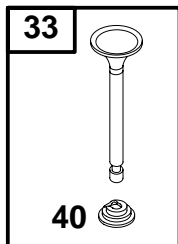
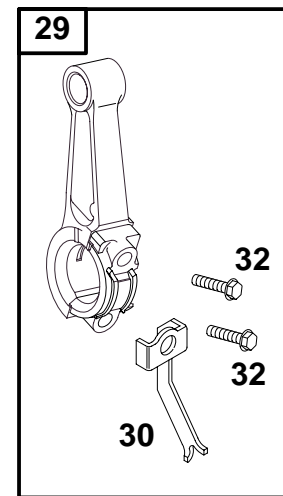
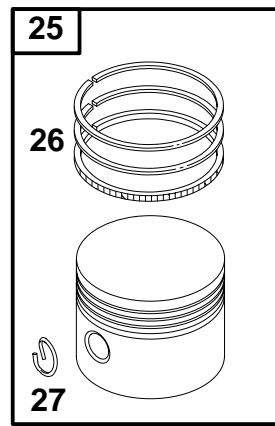
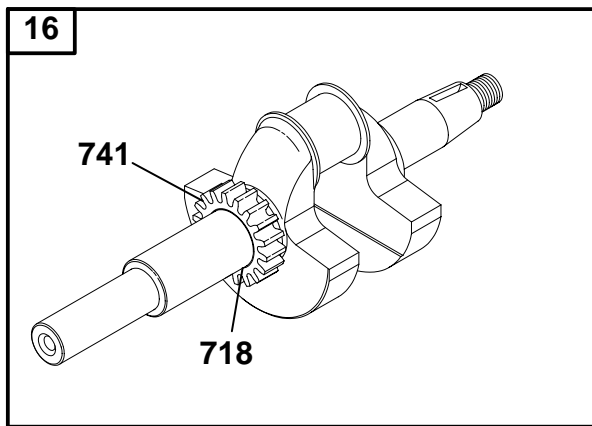
**1058 OWNER' MANUAL**

**1019 LABEL KIT**

| REF. NO. | PART NO. | DESCRIPTION               | REF. NO. | PART NO.    | DESCRIPTION                     | REF. NO. | PART NO. | DESCRIPTION          |
|----------|----------|---------------------------|----------|-------------|---------------------------------|----------|----------|----------------------|
| 1        | 395879   | Cylinder Assembly         | 13B      | 94733       | Stud-Hex. Drive                 | 562      | 94907    | Bolt-Governor Lever  |
| 2        | 293708   | Bushing                   | 15       | 94387       | Plug-Oil Drain                  | 592      | 231978   | Nut-Hex.             |
| 3        | ★299819  | Seal-Oil                  | 227      | 493402      | Lever-Governor                  | 614      | 93306    | Pin-Cotter           |
| 5        | 213953   | Head-Cylinder             | 230      | 222450      | Washer-Gov. Lever               | 615      | 93307    | Retainer-Lock        |
| 6        | 22963    | Washer                    | 306      | 224377      | Shield-Cylinder                 | 616      | 231077   | Crank-Governor       |
| 7        | ★272167  | Gasket-Cylinder Head      | 307      | 94515       | Screw-Hex.                      | 869      | 211172   | Seat-Valve (Intake)  |
| 8        | 495774   | Breather Assy.            | 308      | 223390      | Cover-Cylinder Head             | 870      | 211291   | Seat-Valve (Exhaust) |
| 9        | ★27549   | Gasket-Breather           | 337      | 298809      | Plug-Spark (1-1/2" High, 38 mm) | 871      | 231348   | Bushing-Guide        |
| 10       | 94621    | Screw-Hex.                |          | <b>Note</b> |                                 | 883      | ★272252  | Gasket-Exhaust       |
| 11       | 281010   | Tube-Breather             |          | 492167      | Plug-Spark (1-7/8" High, 48 mm) | 1019     | 491675   | Label Kit            |
| 13       | 93111    | Screw-Hex. (2" Long)      | 383      | 89838       | Wrench-Spark Plug               | 1058     | 272317   | Owner's Manual       |
| 13A      | 94547    | Screw-Hex. (2-5/16" Long) | 552      | 231079      | Bushing-Governor Crank          |          |          |                      |

- ★ Included in Gasket Set-Part No. 397144.
- Included in Carburetor Kit-Part No. 493762.
- ◆ Included in Carburetor Gasket Set-Part No. 490937.

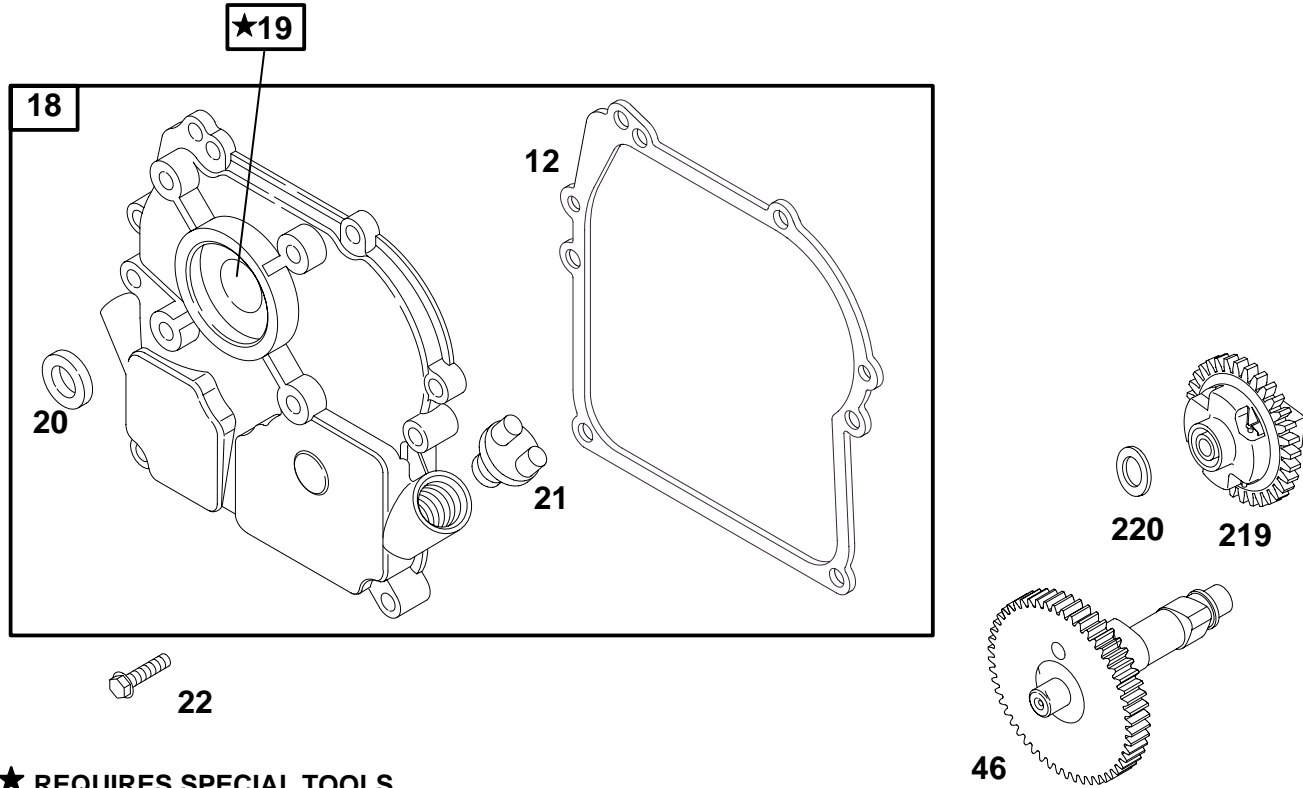
**83400 to 83499**



| REF. NO. | PART NO. | DESCRIPTION                      | REF. NO. | PART NO. | DESCRIPTION                | REF. NO. | PART NO. | DESCRIPTION    |
|----------|----------|----------------------------------|----------|----------|----------------------------|----------|----------|----------------|
| 16       | 399006   | Crankshaft                       | 27       | 26026    | Lock-Piston Pin            | 33       | 296676   | Valve-Exhaust  |
| 25       | 295587   | Piston Assembly (Standard)       | 28       | 298909   | Pin-Piston                 | 34       | 296677   | Valve-Intake   |
|          | 295588   | Piston Assy. (.010" O.S.)        | 29       | 294367   | Rod-Connecting (Standard)  | 35       | 260552   | Spring-Valve   |
|          | 295589   | Piston Assy. (.020" O.S.)        |          | 296079   | Rod-Conn. (.020 Undersize) | 40       | 93312    | Retainer-Valve |
|          | 295590   | Piston Assy. (.030" O.S.)        | 30       | 220670   | Dipper-Conn. Rod           | 45       | 230173   | Tappet-Valve   |
| 26       | 294232   | Ring Set (Standard)              | 32       | 94699    | Screw-Conn. Rod            | 718      | 499047   | Key-Timing     |
|          | 297201   | Ring Set (Standard Chrome)       |          |          |                            | 741      | 261533   | Gear-Timing    |
|          | 294224   | Ring Set (.010" O.S.)            |          |          |                            |          |          |                |
|          | 294225   | Ring Set (.020" O.S.)            |          |          |                            |          |          |                |
|          | 294226   | Ring Set (.030" O.S.) (Standard) |          |          |                            |          |          |                |
|          | 298908   | Pin-Piston (.005" O.S.)          |          |          |                            |          |          |                |

- ★ Included in Gasket Set-Part No. 397144.
- Included in Carburetor Kit-Part No. 493762.
- ◆ Included in Carburetor Gasket Set-Part No. 490937.

# 83400 to 83499

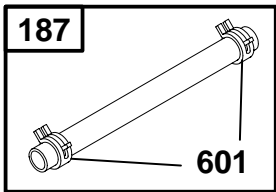
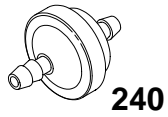
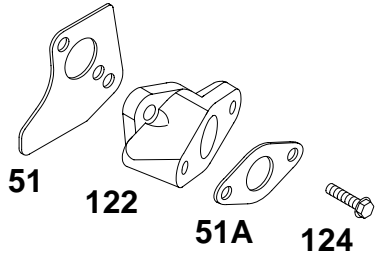


★ **REQUIRES SPECIAL TOOLS TO INSTALL. SEE REPAIR INSTRUCTION MANUAL.**

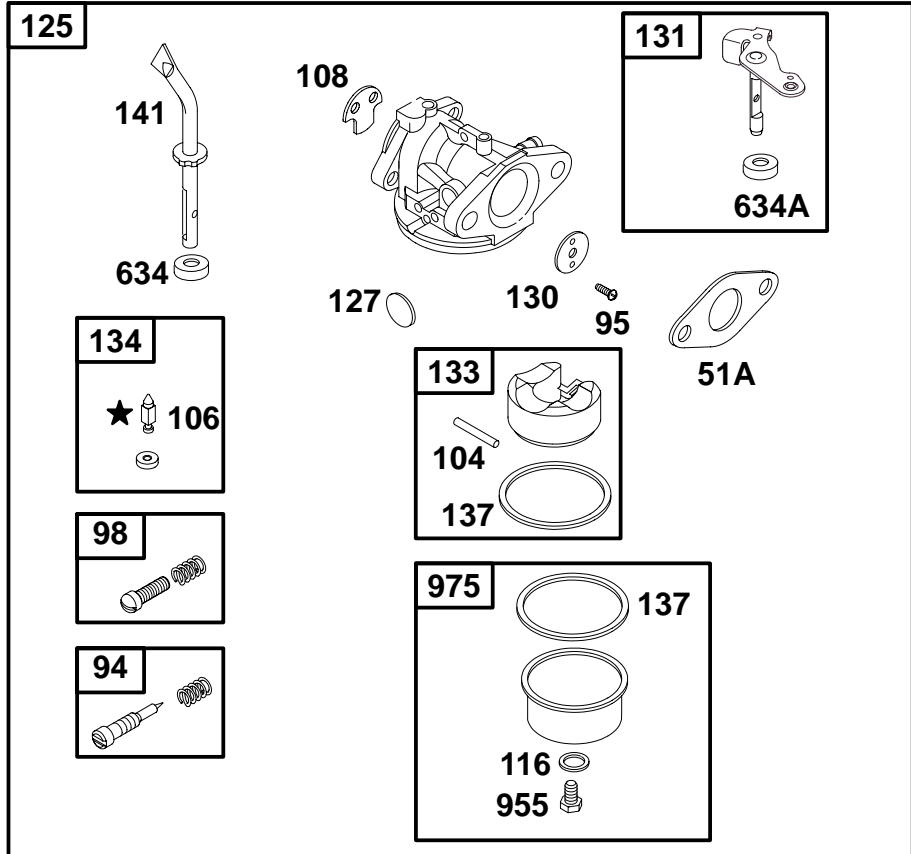
| REF. NO. | PART NO. | DESCRIPTION                                 | REF. NO. | PART NO. | DESCRIPTION   | REF. NO. | PART NO. | DESCRIPTION  |
|----------|----------|---|----------|----------|---|----------|----------|--|
| 12       | ★270833  | Gasket-Crankcase (.015" Thick, Std.)        | 19       | 220538   | Bushing   | 46       | 493747   | Gear-Cam   |
|          | ★270895  | Gasket-Crankcase (.005" Thick)              | 20       | ★392986  | Seal-Oil  | 219      | 494845   | Gear-Governor                                      |
|          | ★270896  | Gasket-Crankcase (.009" Thick)              | 21       | 66768    | Plug-Oil Fill   |          |          | <b>Note</b>  |
| 18       | 496680   | Cover-Crankcase Used on Model Series 83412. | 22       | 94682    | Screw-Hex.  |          |          | 391737 Gear-Gov. (Used Before Code Date 91061000). |
|          |          |   |          |          | <b>Note</b>   | 220      | 221551   | Washer-Thrust                                      |
|          |          |   |          |          | 92747 Screw-Hex. Used on Two Top Holes to Mount Cover Used on Model Series 83412. |          |          |  |

- ★ Included in Gasket Set-Part No. 397144.
- Included in Carburetor Kit-Part No. 493762.
- ◆ Included in Carburetor Gasket Set-Part No. 490937.

**83400 to 83499**



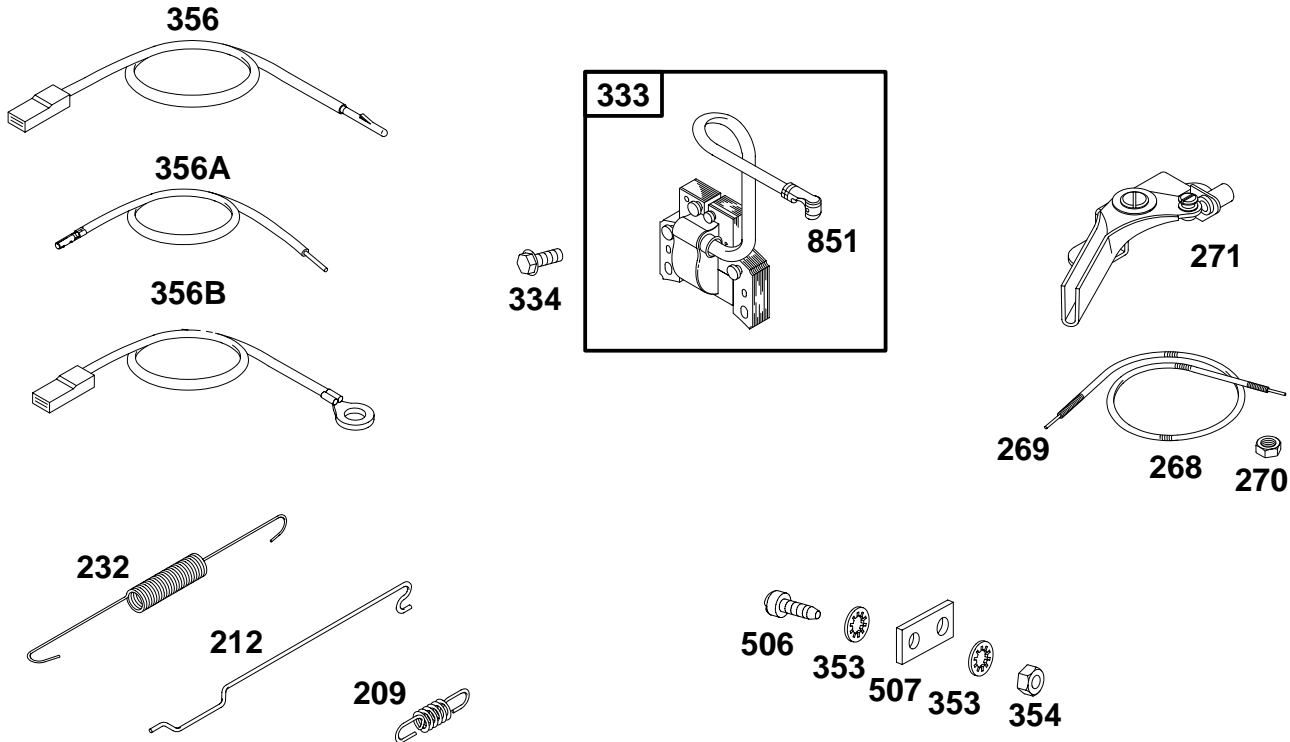
★ **REQUIRES SPECIAL TOOLS TO INSTALL. SEE REPAIR INSTRUCTION MANUAL.**



| REF. NO. | PART NO. | DESCRIPTION                                | REF. NO. | PART NO. | DESCRIPTION                          | REF. NO. | PART NO. | DESCRIPTION                        |
|----------|----------|--|----------|----------|--------------------------------------|----------|----------|------------------------------------|
| 51       | ★272585  | Gasket-Intake                              | 124      | 93357    | Screw-Carburetor Mounting            | 141      | 231741   | Shaft-Choke                        |
| 51A      | ★272295  | Gasket-Intake                              | 125      | 494466   | Carburetor                           | 187      | 296004   | Line-Fuel (Cut to Required Length) |
| 94       | ●493765  | Valve-Idle Adjust                          | 127      | ●        | Plug-Welch (Sold in Kit Only)        | 240      | 298090   | Filter-Fuel                        |
| 95       | ●94098   | Screw-Rd. Hd.                              | 130      | 223470   | Valve-Throttle                       | 601      | 93053    | Clamp-Hose                         |
| 98       | ●398185  | Screw-Idle Adjustment                      | 131      | 493556   | Shaft-Throttle                       | 634      | ●◆       | Seal-Choke                         |
| 104      | ●231371  | Pin-Float Hinge                            | 133      | 398187   | Float-Carburetor                     | 634A     | ●◆       | Washer-Throttle Shaft              |
| 106      | ●        | Seat-Inlet (Sold in Kit and Ref. 134 only) | 134      | ●398188  | Valve-Needle (Includes Seat)         | 955      | 231373   | Screw-Bowl Mounting                |
| 108      | 223471   | Valve-Choke                                | 137      | ●◆       | Gasket-Float Bowl (Sold in Kit Only) | 975      | 398191   | Bowl-Float                         |
| 116      | ●◆       | Gasket-Sealing (Sold in Kit Only)          |          |          |                                      |          |          |                                    |
| 122      | 213736   | Spacer                                     |          |          |                                      |          |          |                                    |

- ★ Included in Gasket Set-Part No. 397144.
- Included in Carburetor Kit-Part No. 493762.
- ◆ Included in Carburetor Gasket Set-Part No. 490937.

# 83400 to 83499

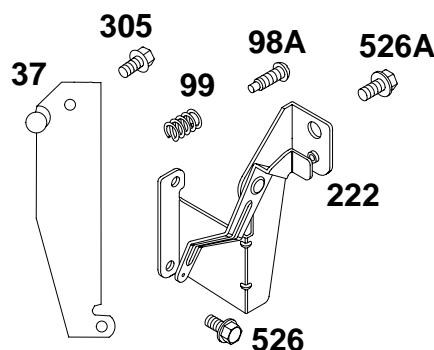
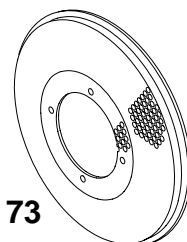
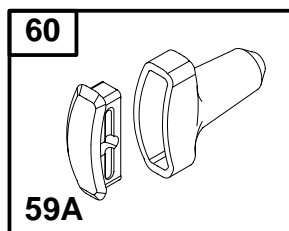
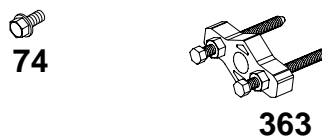
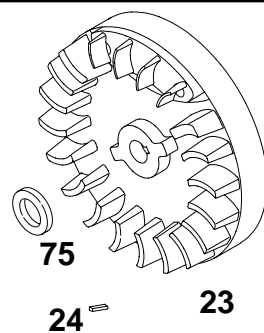
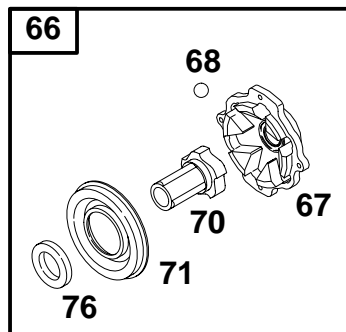
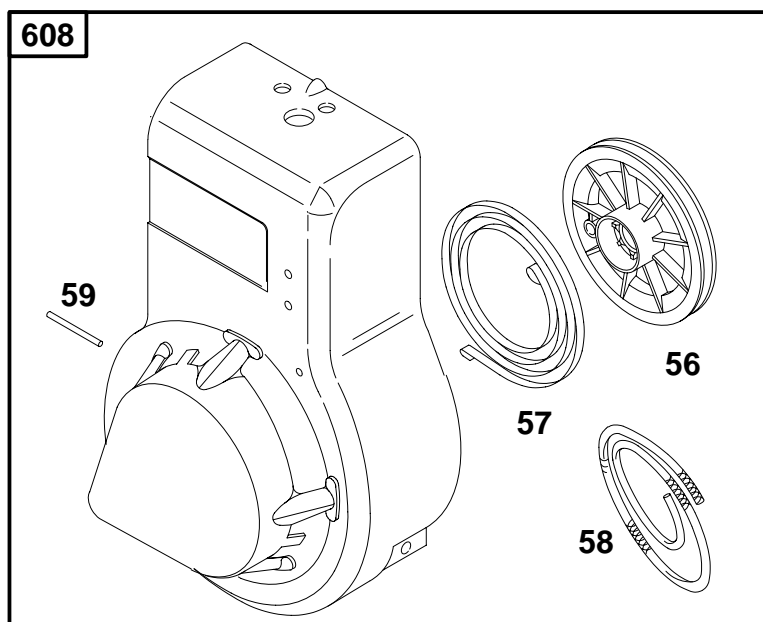


| REF. NO. | PART NO. | DESCRIPTION  | REF. NO. | PART NO. | DESCRIPTION  | REF. NO. | PART NO. | DESCRIPTION     |
|----------|----------|--|----------|----------|--|----------|----------|-----------------|
| 209      | 262575   | Spring-Governor<br><b>Note</b><br>262576 Spring-Governor<br>Used on Type No(s).<br>0105, 0106. | 269      | 26099    | Wire-Control<br>(54" Long)<br>(Cut to Required Length) | 356B     | 398808   | Wire-Stop       |
| 212      | 262695   | Link-Governor  | 270      | 63426    | Locknut-Casing   | 506      | 90200    | Screw-Fill. Hd. |
| 232      | 262696   | Spring-Link  | 271      | 290568   | Lever-Control  | 507      | 66895    | Insulator       |
| 268      | 66986    | Casing-Wire<br>(48" Long)<br>(Cut to Required Length)  | 333      | 496914   | Armature-Magneto                                       | 506      | 90200    | Screw-Fill. Hd. |
|          |          |  | 334      | 94731    | Screw-Hex.   | 507      | 66895    | Insulator       |
|          |          |  | 353      | 92791    | Washer-Lock  | 851      | 493880   | Terminal-Cable  |
|          |          |  | 354      | 90576    | Nut-Hex.   |          |          |                 |
|          |          |  | 356      | 493400   | Wire-Stop  |          |          |                 |
|          |          |  | 356A     | 493401   | Wire-Stop  |          |          |                 |

- ★ Included in Gasket Set-Part No. 397144.
- Included in Carburetor Kit-Part No. 493762.
- ◆ Included in Carburetor Gasket Set-Part No. 490937.



# 83400 to 83499

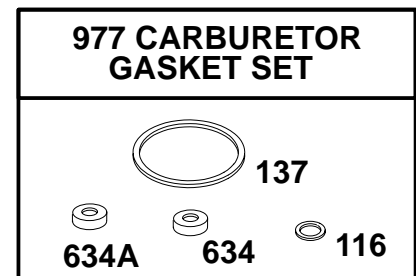
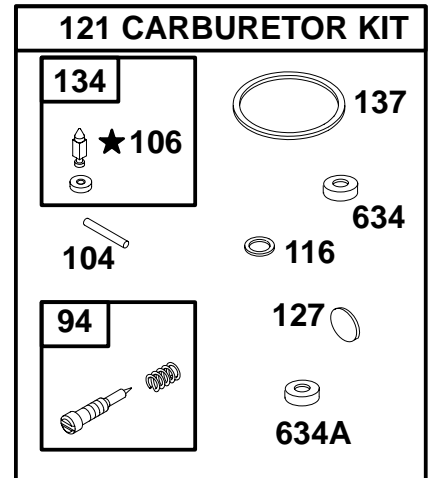
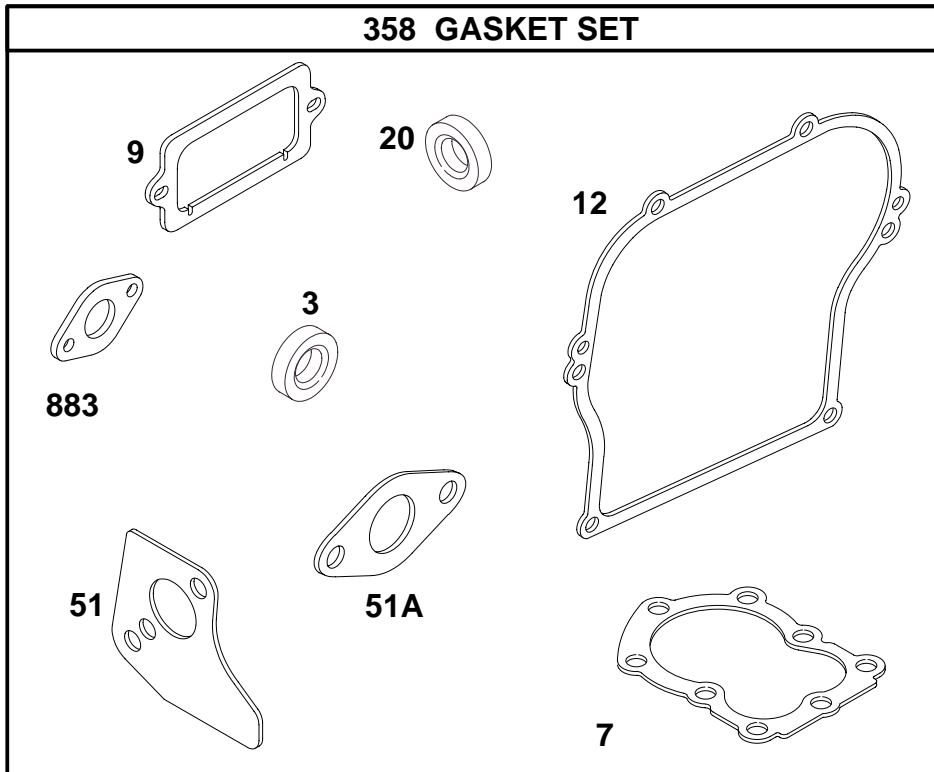


| REF. NO. | PART NO. | DESCRIPTION                                     | REF. NO. | PART NO. | DESCRIPTION       | REF. NO. | PART NO. | DESCRIPTION                    |
|----------|----------|---|----------|----------|-------------------|----------|----------|--------------------------------|
| 23       | 296884   | Flywheel  | 60       | 393152   | Grip—Starter Rope | 222      | 493397   | Bracket—Control                |
| 24       | 222698   | Key—Flywheel                                    | 59       | 230228   | Pin—Starter Grip  | 305      | 94786    | Screw—Hex.                     |
| 37       | 220971   | Guard—Flywheel                                  | 66       | 399671   | Clutch—Starter    | 363      | 19069    | Flywheel Puller                |
| 56       | 280439   | Pulley—Starter                                  | 67       | 394897   | Housing—Clutch    | 526      | 93062    | Screw—Hex.                     |
| 57       | 490179   | Spring—Rewind Starter                           | 68       | 63770    | Ball—Clutch       | 526A     | 94523    | Screw—Hex.                     |
| 58       | 66734    | Rope—Starter<br>(48—5/8" Long)                  | 70       | 298799   | Ratchet—Clutch    | 608      | 493414   | Starter—Rewind<br>(12 o'clock) |
|          |          | <b>Note</b>                                     | 71       | 394506   | Washer—Retainer   |          |          | <b>Note</b>                    |
|          |          | 280399 Rope—Starter<br>(Cut to Required Length) | 73       | 221661   | Screen—Rotating   |          |          | 398034 Starter—<br>Rewind      |
| 59       | 396892   | Insert—Grip                                     | 74       | 93490    | Screw—Hex.        |          |          | Used on Type No(s).<br>0106.   |
| 59A      | 230228   | Pin—Starter Grip                                | 75       | 223047   | Washer—Spring     |          |          |                                |
|          |          |   | 76       | 68238    | Washer            |          |          |                                |
|          |          |   | 98A      | 94094    | Screw—Phillips    |          |          |                                |
|          |          |   | 99       | 26157    | Spring—Idle Valve |          |          |                                |

- ★ Included in Gasket Set—Part No. 397144.
- Included in Carburetor Kit—Part No. 493762.
- ◆ Included in Carburetor Gasket Set—Part No. 490937.



**83400 to 83499**



**★ REQUIRES SPECIAL TOOLS TO INSTALL. SEE REPAIR INSTRUCTION MANUAL.**

| REF. NO. | PART NO. | DESCRIPTION                          | REF. NO. | PART NO. | DESCRIPTION                                | REF. NO. | PART NO. | DESCRIPTION                          |
|----------|----------|--------------------------------------|----------|----------|--|----------|----------|--------------------------------------|
| 3        | ★299819  | Seal-Oil                             | 51       | ★272585  | Gasket-Intake                              | 134      | ●398188  | Valve-Needle (Includes Seat)         |
| 7        | ★272167  | Gasket-Cylinder Head                 | 51A      | ★272295  | Gasket-Intake                              | 137      | ◆◆       | Gasket-Float Bowl (Sold in Kit Only) |
| 9        | ★27549   | Gasket-Breather                      | 94       | ●493765  | Valve-Needle                               | 358      | 397144   | Gasket Set                           |
| 12       | ★270833  | Gasket-Crankcase (.015" Thick, Std.) | 104      | ●231371  | Pin-Float Hinge                            | 634      | ◆◆       | Washer-Throttle Shaft                |
|          | ★270895  | Gasket-Crankcase (.005" Thick)       | 106      | ●        | Seat-Inlet (Sold in Kit and Ref. 134 only) | 634A     | ◆◆       | Seal-Choke                           |
|          | ★270896  | Gasket-Crankcase (.009" Thick)       | 116      | ◆◆       | Gasket-Sealing (Sold in Kit Only)          | 883      | ★272252  | Gasket-Exhaust                       |
| 20       | ★392986  | Seal-Oil                             | 121      | 493762   | Carburetor Kit                             | 977      | 490937   | Gasket Set-Carburetor                |
|          |          |                                      | 127      | ●        | Plug-Welch (Sold in Kit Only)              |          |          |                                      |

- ★ Included in Gasket Set-Part No. 397144.
- Included in Carburetor Kit-Part No. 493762.
- ◆ Included in Carburetor Gasket Set-Part No. 490937.