

FORM MS-4221 - 64  
REPLACES FORM MS-4221 - 97  
FILE IN SECT. 2 OF SERVICE MANUAL  
**60900 To 60907**  
**61900 To 61907**

# Illustrated Parts List

## MODEL SERIES

**60900 To 60907**

**61900 To 61907**

## TYPE NUMBERS

950000 to 950031

950500 to 950526

## HOW TO FIND

### THE CORRECT NUMBER OF THE PART YOU NEED

These instructions are to be followed when using a Parts List to determine the correct part for an engine.

• • • • •

- A. Refer to Engine Model, Type and Serial Number that is stamped on the blower housing or name plate of engine. Then use the Illustrated Parts List covering this Model Series.
- B. Refer to Illustrated Parts section and compare the old part with illustration. The number on the illustration is the Reference Number. Assemblies include all parts shown in frames. All parts shown in assembly frames on which individual reference numbers are given can be purchased separately.
- C. After the Reference Number has been identified, refer to the Numerical Parts List, where Master Part Numbers are listed. **THE MASTER PART IS USED ON ALL TYPE NUMBERS EXCEPT THOSE TYPE NUMBERS UNDER "NOTE"**.
- D. If a "Note" appears below the Master Part Number, this means that this part differs from the Master Part for certain types. If the Type Number is listed under "Note" order the part referred to.
- E. If the Engine Type Number does not appear after any part number listed under "Note", use the Master Part Number.
- F. For Type Numbers higher than those covered by this book, please refer to the factory if you are unable to identify the part by comparison.

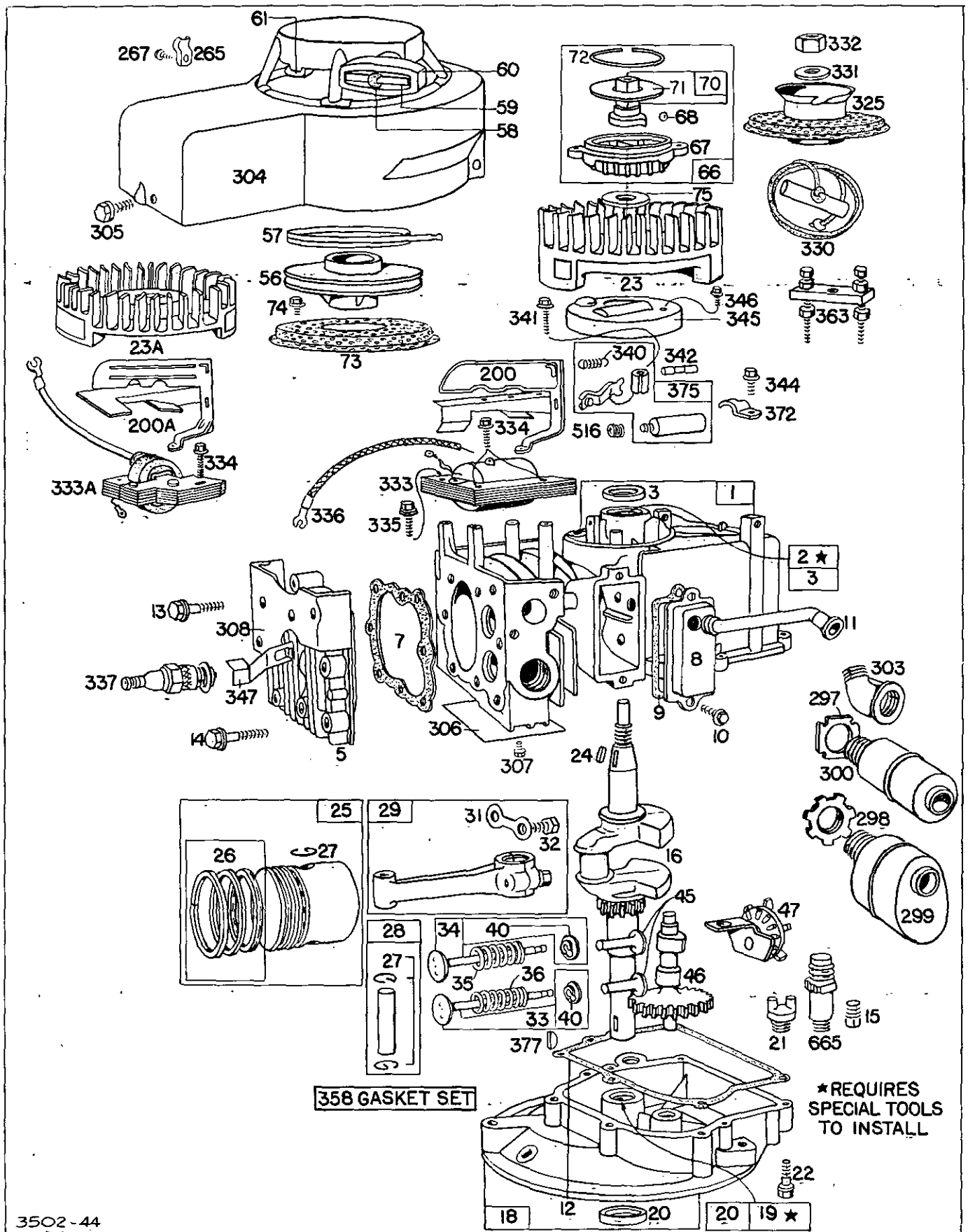
PRINTED IN U.S.A.



[www.mymowerparts.com](http://www.mymowerparts.com)

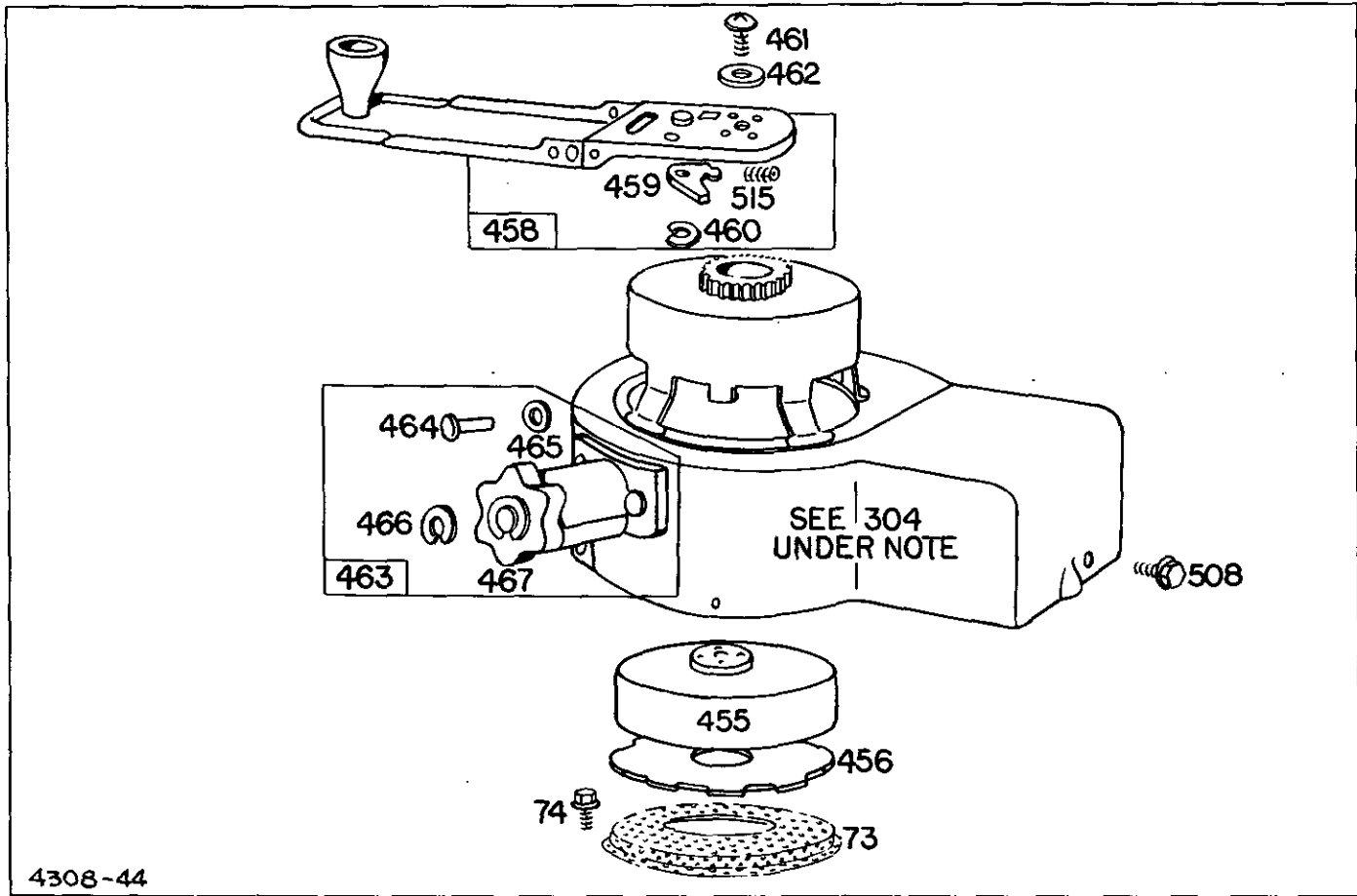
60900 To 60907

61900 To 61907



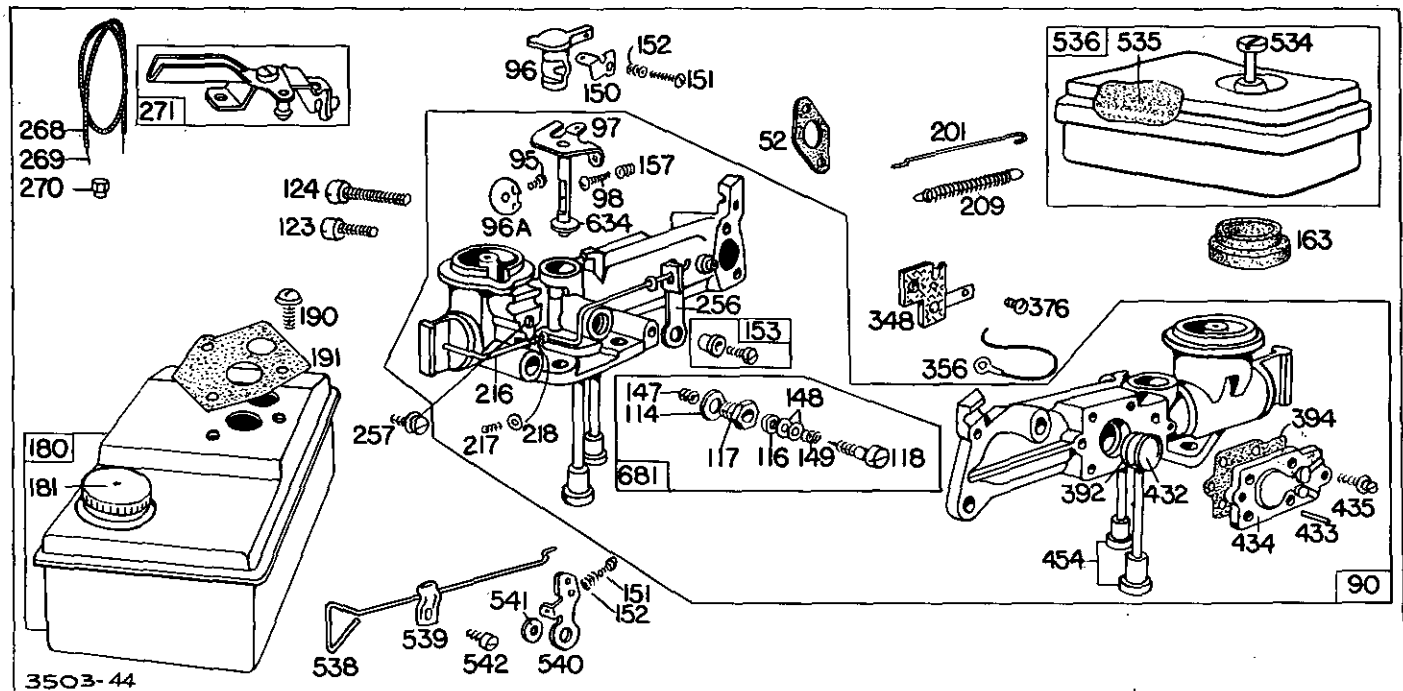
3502-44

Assemblies include all parts shown in frames.



4308-44

Assemblies include all parts shown in frames.



3503-44

Assemblies include all parts shown in frames.

60900 To 60907

61900 To 61907

REF. NO. 1 - 26

REF. NO.	PART NO.	DESCRIPTION	REF. NO.	PART NO.	DESCRIPTION	REF. NO.	PART NO.	DESCRIPTION		
1	295450	Cylinder Assembly Used on Model 60900 Series Engines.		260047	Crankshaft Used on type Nos. 950022, 950023, 950030.			<b>Note:</b> 295457 Piston Assy.— .020" O. S. Used on Model 61900 Series.		
	296802	Cylinder Assembly Used on Model 61900 Series Engines.	18.	293512	Sump—Oil	295590		Piston Assembly— .030" O. S. Used on Model 60900 Series.		
2.	293708	Bushing—Cylinder <b>Note:</b> Requires special tools for installation.	19	293709	Bushing—Oil Sump <b>Note:</b> Requires special tools for installation.			<b>Note:</b> 295458 Piston Assy.— .030" O. S. Used on Model 61900 Series.		
3.	89660	Seal—Oil	20.	291841	Seal—Oil					
5.	211211	Head—Cylinder	21	66768	Plug—Oil Filler					
7.	*27670	Gasket—Cylinder Head	22.	93032	Screw—Sump Mtg. Sem					
8.	296189	Breather—Valve Chamber	23	293205	Flywheel—Magneto (Used before Serial No. 6212130)					
9.	*27549	Gasket—Valve Cover		<b>Note:</b> 295936	Flywheel— Magneto (Used before Serial No. 6212130)			<b>MODEL 60900 SERIES RING SETS:</b>		
10.	93394	Screw—Breather Mounting Sem		23A	297949	Flywheel—Magneto (Used after Serial No. 6212120)	26.	294232	Ring Set—Std. Piston Consists of: 210471 Ring, Piston; Comp., Top, Std. 210472 Ring, Piston; Comp., Center, Std. 210473 Ring, Piston, Oil, Std.	
11.	67298	Tube—Breather			<b>Note:</b> 296884	Flywheel— Magneto Used after Serial No. 6212120 on type Nos. 950029, 950522, 950525.	294224		Ring Set—.010" O.S. Piston Consists of: 210490 Ring, Piston; Comp., Top, .010" O. S. 210489 Ring, Piston; Comp., Center, .010" O. S. 210491 Ring, Piston; Oil, .010" O. S.	
12.	*27586	Gasket—Crankcase— .015" thick (Std.)		24.	61760	Key—Flywheel	294225		Ring Set—.020" O.S. Piston Consists of: 210493 Ring, Piston, Comp., Top, .020" O. S. 210492 Ring, Piston; Comp., Center, .020" O. S. 210494 Ring, Piston, Oil, .020" O. S.	
	*27617	Gasket—Crankcase— .005" thick		25.	295587	Piston Assembly—Std. Used on Model 60900 Series.			294226	Ring Set—.030" O. S. Piston Consists of: 210496 Ring, Piston, Comp., Top, .030" O. S.
	*27618	Gasket—Crankcase— .009" thick			<b>Note:</b> 295455	Piston Assy.— Standard Used on Model 61900 Series.				
13	93111	Screw—Cylinder Head (1-15/16" long)			295588	Piston Assembly— .010" O. S. Used on Model 60900 Series.				
14.	93113	Screw—Cylinder Head (2-5/16" long)			<b>Note:</b> 295456	Piston Assy.— .010" O. S. Used on Model 61900 Series.				
15.	91084	Plug—Oil Drain <b>Note:</b> 93418 Plug—Oil Drain (Hex Socket Head) Used on type No. 950522.			295589	Piston Assembly— .020" O. S. Used on Model 60900 Series.				
16.	260274	Crankshaft <b>Note:</b> 26943 Crankshaft Used on type Nos. 950010, 950015, 950510, 950515. 26978 Crankshaft Used on type No. 950029. 260003 Crankshaft Used on type No. 950522. 260005 Crankshaft Used on type Nos. 950025, 950026, 950027, 950028, 950524.								

\* Included in Gasket Set—Part  
No. 297275.

REF. NO.	PART NO.	DESCRIPTION	REF. NO.	PART NO.	DESCRIPTION	REF. NO.	PART NO.	DESCRIPTION	
	210495	Ring, Piston, Comp., Center .030" O.S.	27	26026	Lock-Piston Pin	90	296242	Carburetor Assembly (Choke-A-Matic)	
	210497	Ring, Piston, Oil, .030" O.S.	28	291925	Pin Assy.-Piston-Standard		Note: 296262	Carburetor Assy. (Manual Choke) Used on type Nos. 950010, 950011, 950013, 950028, 950029, 950510, 950511, 950513.	
<b>MODEL 61900 SERIES RING SETS:</b>				291926	Pin Assy.-Piston-.005" O.S.		296278	Carburetor Assy. (Manual Choke) Used on type No. 950525.	
295657		Ring Set-Std. Piston Consists of:	29	293505	Rod Assy.-Connecting		296314	Carburetor Assy. (Choke-A-Matic) Used on type Nos. 950024, 950025, 950523, 950524.	
	210796	Ring, Piston, Comp., Top, Std.	31	220460	Lock-Connecting Rod Screw	95	93385	Screw-Throttle Valve Mounting Sem	
	210797	Ring, Piston, Comp., Center, Std.	32	92296	Screw-Connecting Rod	96	210957	Throttle-Carburetor	
	295661	Ring, Oil (w/expander) Std.	33	296676	Valve-Exhaust	96A	211237	Valve-Throttle	
295658		Ring Set-.010" O.S. Piston Consists of:	34	296677	Valve-Intake	97	297961	Shaft and Lever-Throttle	
	210799	Ring, Piston, Comp., Top, .010" O.S.	35	260552	Spring-Intake Valve		98	93524	Screw-Machine, Rd. Hd. -5-40 x 1/2"
	210798	Ring, Piston, Comp., Center, .010" O.S.	36	26478	Spring-Exhaust Valve	114	66594	Gasket-Needle Valve Nut	
	295662	Ring, Oil (w/expander) .010" O.S.	40	93312	Retainer-Valve Spring (Used with valves with groove in stem)	116	65978	Packing-Needle Valve	
				Note: 23184	Retainer-Valve Spring	117	230590	Nut-Needle Valve	
				23187	Pin-Valve Spring Retainer Used with valves with hole in stem.	118	23433	Valve-Needle	
295659		Ring Set-.020" O.S. Piston Consists of:	45	230173	Tappet-Valve	123	93353	Screw-Carburetor Mounting	
	210801	Ring, Piston, Comp., Top, .020" O.S.	46	210453	Gear-Cam	124	93360	Screw-Carburetor Mounting	
	210800	Ring, Piston, Comp., Center, .020" O.S.	47	294652	Oil Slinger Gear and Bracket	147	230591	Seat-Needle Valve	
	295663	Ring, Oil (w/expander) .020" O.S.	52	*27909	Gasket-Intake Elbow Mounting	148	22235	Washer-Needle Valve (2)	
295660		Ring Set-.030" O.S. Piston Consists of:	56	294088	Pulley-Rewind Starter	149	26336	Spring-Needle Valve	
	210803	Ring, Piston, Comp., Top, .030" O.S.	57	294303	Spring-Rewind Starter	150	220105	Connector-Gov. Link	
	210802	Ring, Piston, Comp., Center, .030" O.S.	58	66384	Rope-Rewind Starter-47-1/8" long.	151	92634	Screw-Machine, Rd. Hd. -5-40 x 5/8"	
	295664	Ring, Oil (w/expander) .030" O.S.	59	230228	Pin-Starter Rope		Note: 93350	Screw-Machine, Rd. Hd. -5-40 x 3/4" Used on type No. 950029.	
			60	66728	Grip-Starter Rope	152	260575	Spring-Throttle Adjustment	
			61	66528	Bumper-Starter Pulley				
			66	295684	Clutch Assy.-Rewind and Wind-up Starter				
			67	210400	Housing-Starter Clutch				
			68	63770	Ball-Clutch				
			70	296597	Ratchet-Rewind and Wind-up Starter				
			71	221301	Washer-Clutch Retainer				
			72	26032	Spring-Clutch Retainer				
			73	220648	Screen-Starter Pulley				
			74	93042	Screw-Rotating Screen Mounting Sem				
			75	220865	Washer-Spring (Used to lock rewind and wind-up starter clutch)				

Included in Gasket Set-Part No. 297275.

60900 To 60907

61900 To 61907

REF. NO. 153 - 435

REF. NO.	PART NO.	DESCRIPTION	REF. NO.	PART NO.	DESCRIPTION	REF. NO.	PART NO.	DESCRIPTION
153	298031	Screw-Carburetor Cam and Lever			<b>Note:</b> If longer casing is needed, specify length in inches; if a shorter casing is needed order No. 66986 and cut to required length. <b>269 26099</b> Wire-Control, 54" long <b>Note:</b> If longer wire is needed, specify length in inches; if shorter casing is needed order No. 26099 and cut to required length.	331	62577	Washer-Flywheel
157	260746	Spring				332	91708	Nut-Flywheel
163	*27660	Gasket-Air Cleaner Mounting				333	291617	Armature-Magneto (Used before Serial No. 6212130)
180	296167	Tank Assy.-Fuel				333A	298502	Armature-Magneto (Used after Serial No. 6212120)
		296312 Tank Assy.-Fuel				334	93381	Screw-Armature Mounting Sem
		Used on type Nos. 950024, 950025, 950523, 950524.				335	93381	Screw-Armature Mounting Sem
181	293270	Cap-Fuel Tank				336	292149	Cable-Ignition
190	93259	Screw-Fuel Tank Mtg.				337	29693	Plug-Spark (with gskt.)
191	*27911	Gasket-Fuel Tank Mtg.				340	26018	Spring-Breaker Arm
200	294617	Blade-Governor (Used before Serial No. 6212130)				341	93381	Screw-Contact Finger Post Mounting Sem
200A	297309	Blade-Governor (Used after Serial No. 6212120)	270	63426	Locknut-Control Wire Casing	342	65704	Plunger-Breaker Point
201	260457	Link-Governor	271	290568	Lever Assembly-Control	344	93042	Screw-Condenser Clamp Mounting Sem
209	260471	Spring-Governor (Choke-A-Matic)	297	91811	Locknut-Exhaust Elbow	345	220366	Cover-Breaker Point and Condenser
		<b>Note:</b> 260468 Spring-Gov. (Manual Choke) Used on type Nos. 950010, 950011, 950013, 950028, 950029, 950510, 950511, 950513, 950525.	298	220859	Locknut-Muffler	346	93014	Screw-Dust Cover Mounting Sem
		260591 Spring-Gov. Used on type No. 950522.	299	294441	Muffler-Exhaust (Lo-Tone)	347	220884	Switch-Stop
216	260449	Link-Choke	300	89966	Muffler-Exhaust	348	296110	Plate Assembly-Stop Switch Insulator
217	260189	Spring-Choke Link	303	91810	Elbow-Exhaust, 90°, Street Used on type No. 950522.	356	296185	Wire-Ground
218	221198	Washer-Choke Link (3)	304	294260	Housing-Blower (For Rewind Starter)	358	297275	Gasket Set
256	220952	Lever-Speed Adjuster			<b>Note:</b> 294263 Housing-Blower (For Rope Starter) Used on Model 60901, 61901 Series.	363	19069	Puller-Flywheel (Optional Accessory)
		<b>Note:</b> 220949 Lever-Speed Adjuster			296325 Housing-Blower (For Wind-Up Starter) Used on Model 60906, 61906 Series.	372	220477	Clamp-Condenser
		220107 Cam-Speed Adjuster Used on type Nos. 950029, 950525.	305	93158	Screw-Blower Housing Mounting Sem	375	294628	Breaker Points and Condenser Set
257	93263	Screw-Sem	306	220478	Shield-Cylinder Screw-Cylinder Shield Mounting			<b>Note:</b> 299061 Ignition Kit Includes: 294628 Point Set 65704 Plunger 61760 Key-Flywheel
265	221407	Clamp-Casing	307	93042	Sem	377	93065	Key-Woodruff No. 509
267	93351	Screw	308	220581	Cover-Cylinder Head	392	260455	Spring-Fuel Pump Diaphragm
268	66986	Casing-Control Wire-48" long	325	293959	Starter Pulley with Screen	394	27910	Diaphragm
			330	29878	Rope-Starter	432	221377	Cap-Spring
						433	93265	Pin-Diaphragm Cover
						434	210959	Cover-Diaphragm
						435	93141	Screw-Diaphragm Cover

\* Included in Gasket Set-Part No. 297275.

REF. NO. 454 - 681

REF. NO.	PART NO.	DESCRIPTION	REF. NO.	PART NO.	DESCRIPTION	REF. NO.	PART NO.	DESCRIPTION
454	296178	Housing-Fuel Pipe Screen (For 3/16" O.D. Pipe)	461	93298	Screw-Handle Mounting	516	260374	Spring-Connector (Condenser Post)
	296191	Housing-Fuel Pipe Screen (For 1/8" O.D. Pipe)	462	221237	Washer-Handle Mtg.	534	93322	Screw-Air Cleaner
455	296455	Cup, Hub and Spring Assembly	463	296445	Holder Assembly-Flywheel	535	27987	Element-Air Cleaner
456	221222	Plate-Retainer	464	93276	Rivet-Holder Assy. Mounting (2)	536	296766	Cleaner Assembly-Air
458	298431	Handle Assembly-Cranking	465	221226	Washer-Holder Assembly Mounting (2)	538	260560	Rod-Speed Control
459	221332	Pawl-Ratchet (Single Acting)	466	93272	Retainer-Holder Control Knob	539	221372	Clip-Speed Control
460	93272	Retainer-Ratchet Pawl	467	211017	Knob-Control	540	221380	Lever-Speed Adjuster
			508	93294	Screw-Blower Housing Mounting Sem	541	22398	Washer-Speed Adjuster to Carburetor
			515	260537	Spring-Ratchet Pawl	542	91494	Screw-Speed Adjuster
						634	270167	Washer-Throttle Shaft (Felt)
						665	296768	Oil Minder
						681	299060	Needle Valve Kit