

60100 to 60199
61100 to 61199

Illustrated Parts List

Model

60100 to 60199

TYPE NUMBERS
0010 through 0016
0110 through 0473
940000 through 940263

61100 to 61199

TYPE NUMBERS
0110 through 0154
940500 through 940708

TO FIND

THE CORRECT NUMBER OF THE PART YOU NEED:

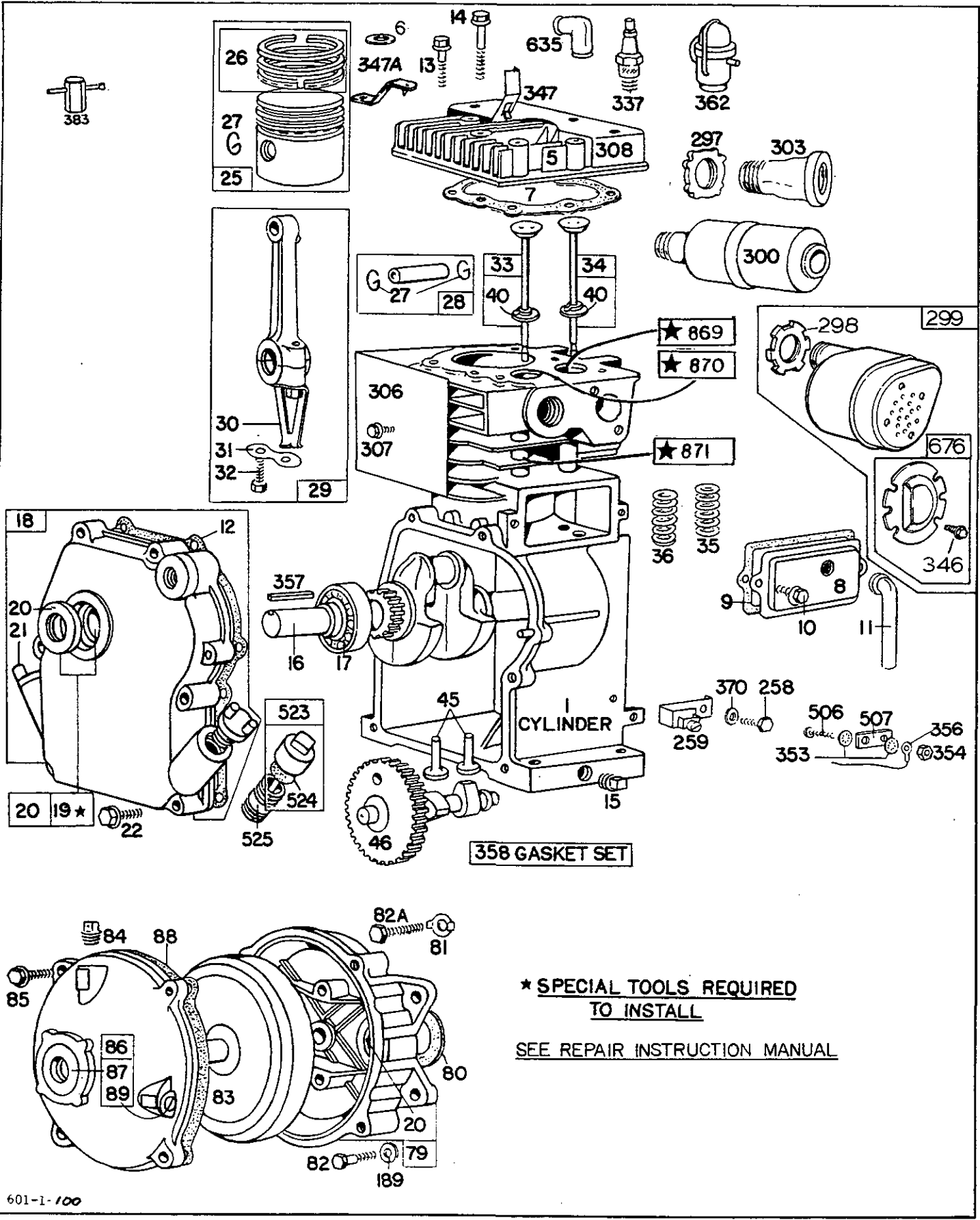
FOLLOW THE INSTRUCTIONS BELOW

- A. Refer to Engine Model, Type and Code Number that is stamped on the blower housing of engine. Engine type numbers such as 012301 are listed herein only as 0123. The two digits (01 or 02, etc.) to the right of the space are not needed for parts identification. Then use the Illustrated Parts List covering the Model Series.
- B. Refer to Illustrated Parts section and compare the old part with illustration. The number on the illustration is the Reference Number. Assemblies include all parts shown in frames. All parts shown in assembly frames on which individual reference numbers are given can be purchased separately.
- C. After the Reference Number has been identified, refer to the Numerical Parts List, where Reference and Master Part Number are listed. **THE MASTER PART IS USED ON ALL TYPE NUMBERS EXCEPT THOSE TYPE NUMBERS UNDER "NOTE"**.
- D. If a "Note" appears below the Master Part Number, this means that this part differs from the Master Part for certain types. If the Type number is listed under "Note", order the part referred to.
- E. If the Engine Type Number does not appear after any part number listed under "Note", use the Master Part Number.
- F. For Type Numbers higher than those covered by this book, please refer to the factory if you are unable to identify the part by comparison.

PRINTED IN U.S.A.

COPYRIGHT ©

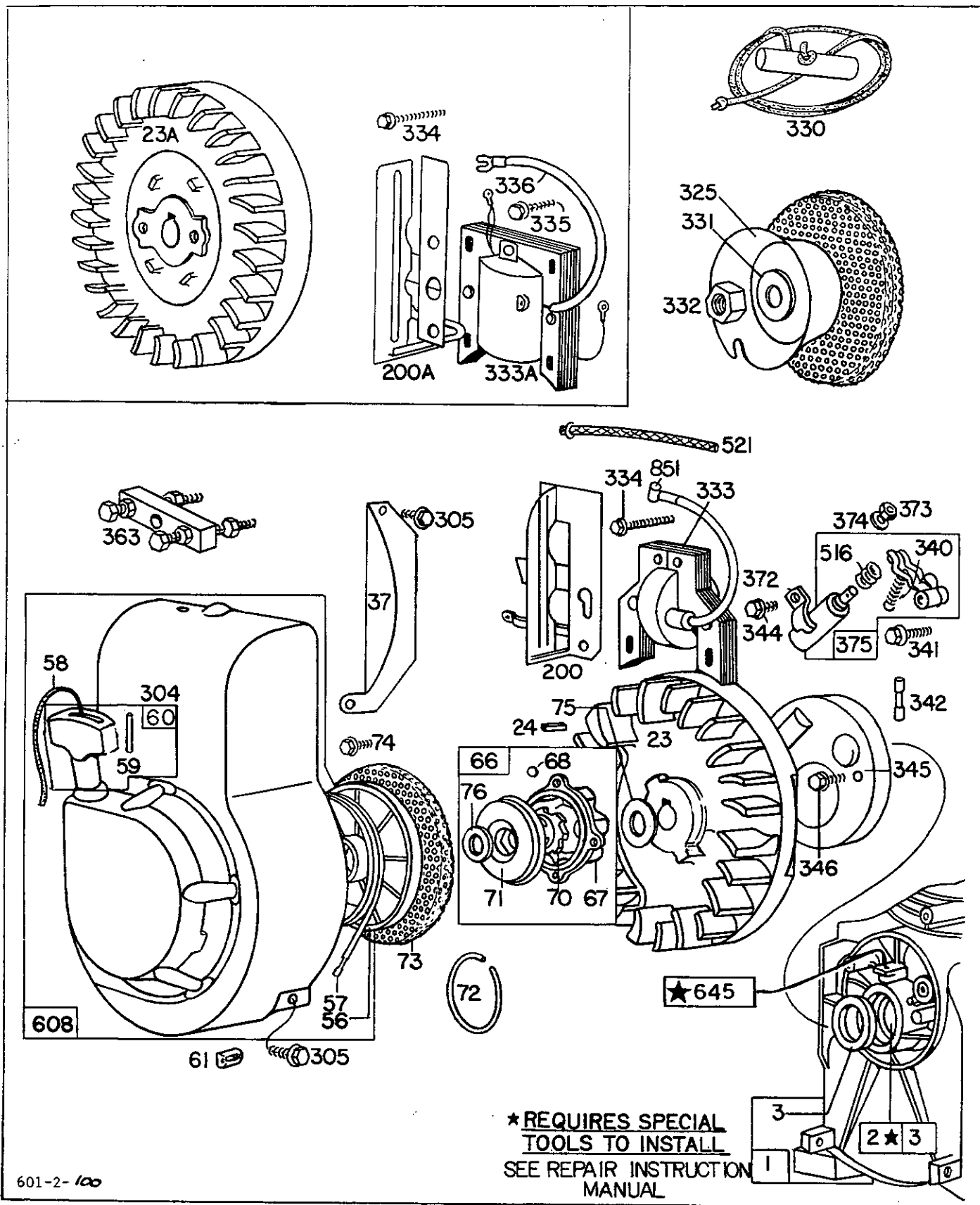




*** SPECIAL TOOLS REQUIRED TO INSTALL**

SEE REPAIR INSTRUCTION MANUAL

Assemblies include all parts shown in frames.

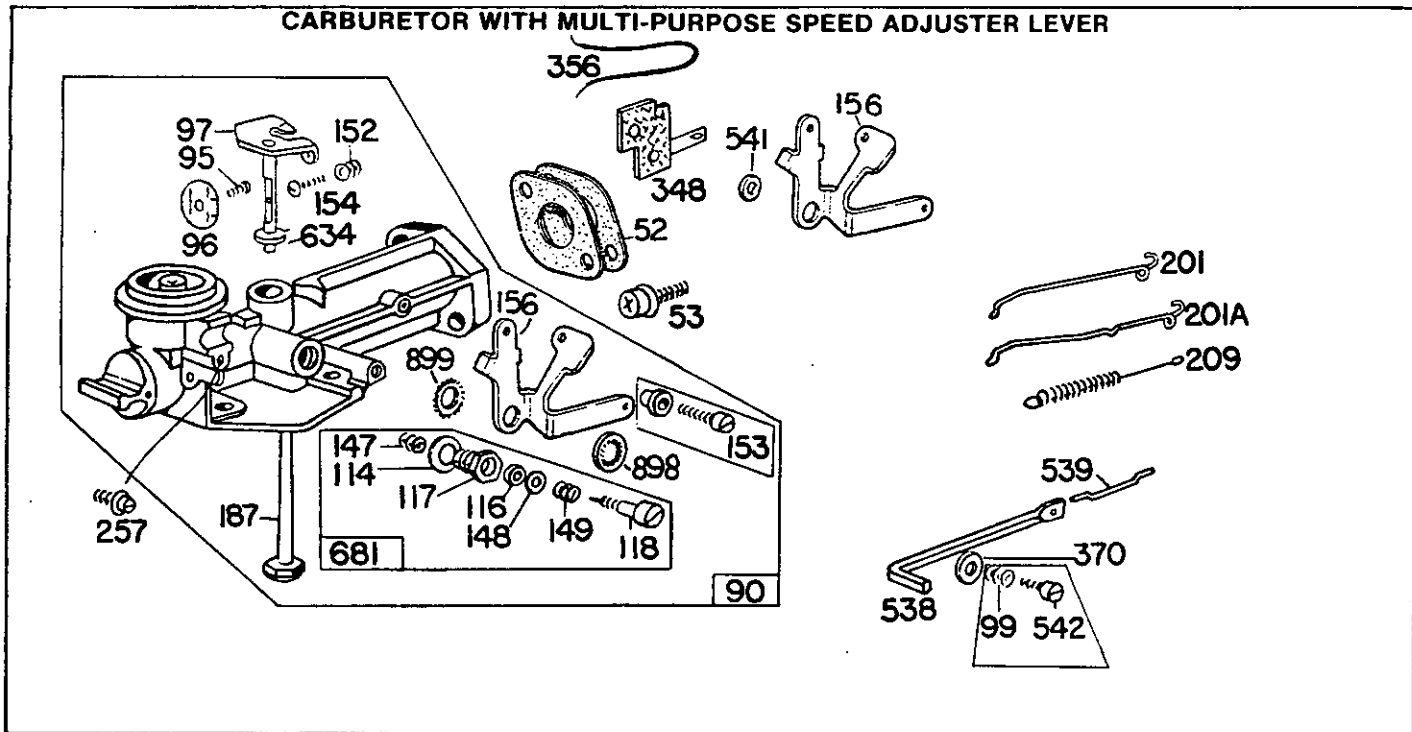


601-2-100

Assemblies include all parts shown in frames.

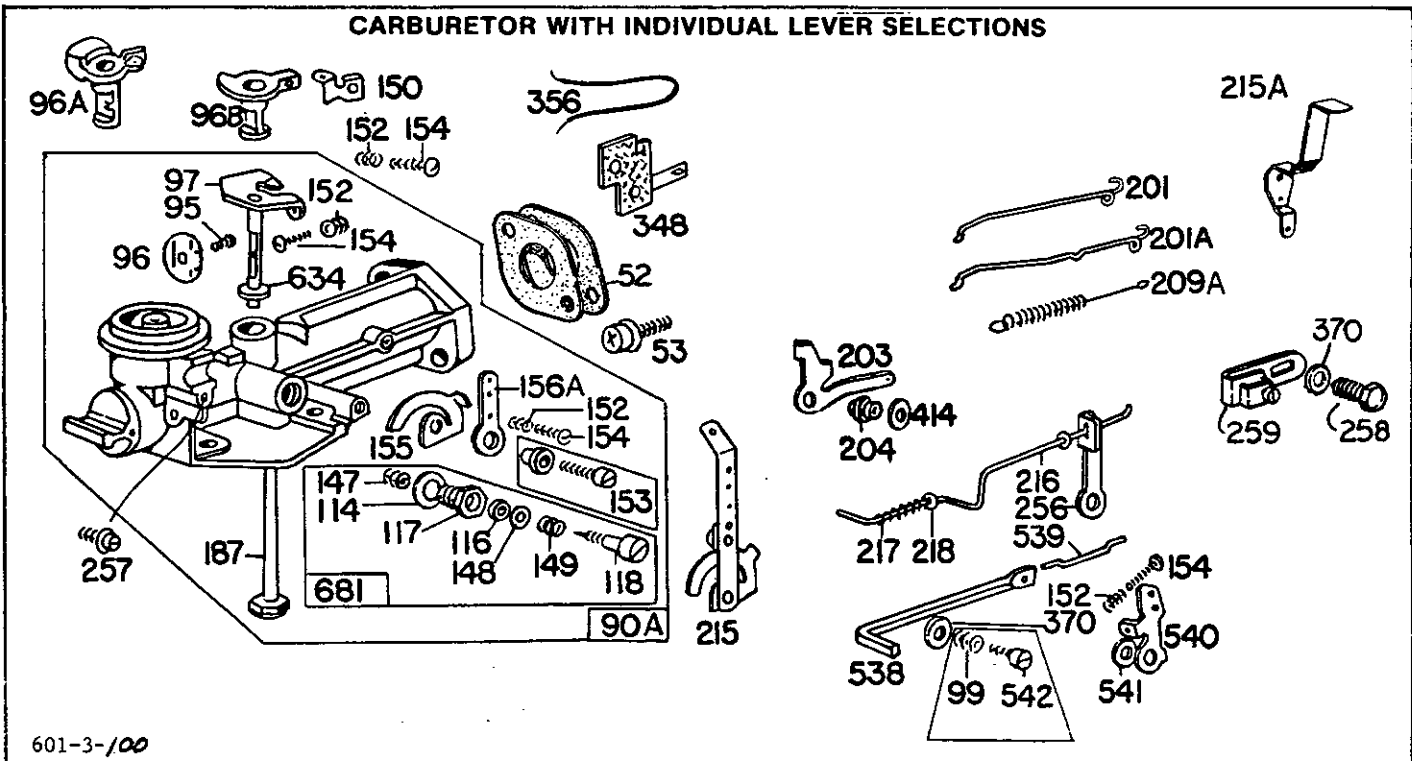
60100 to 60199
61100 to 61199

CARBURETOR WITH MULTI-PURPOSE SPEED ADJUSTER LEVER



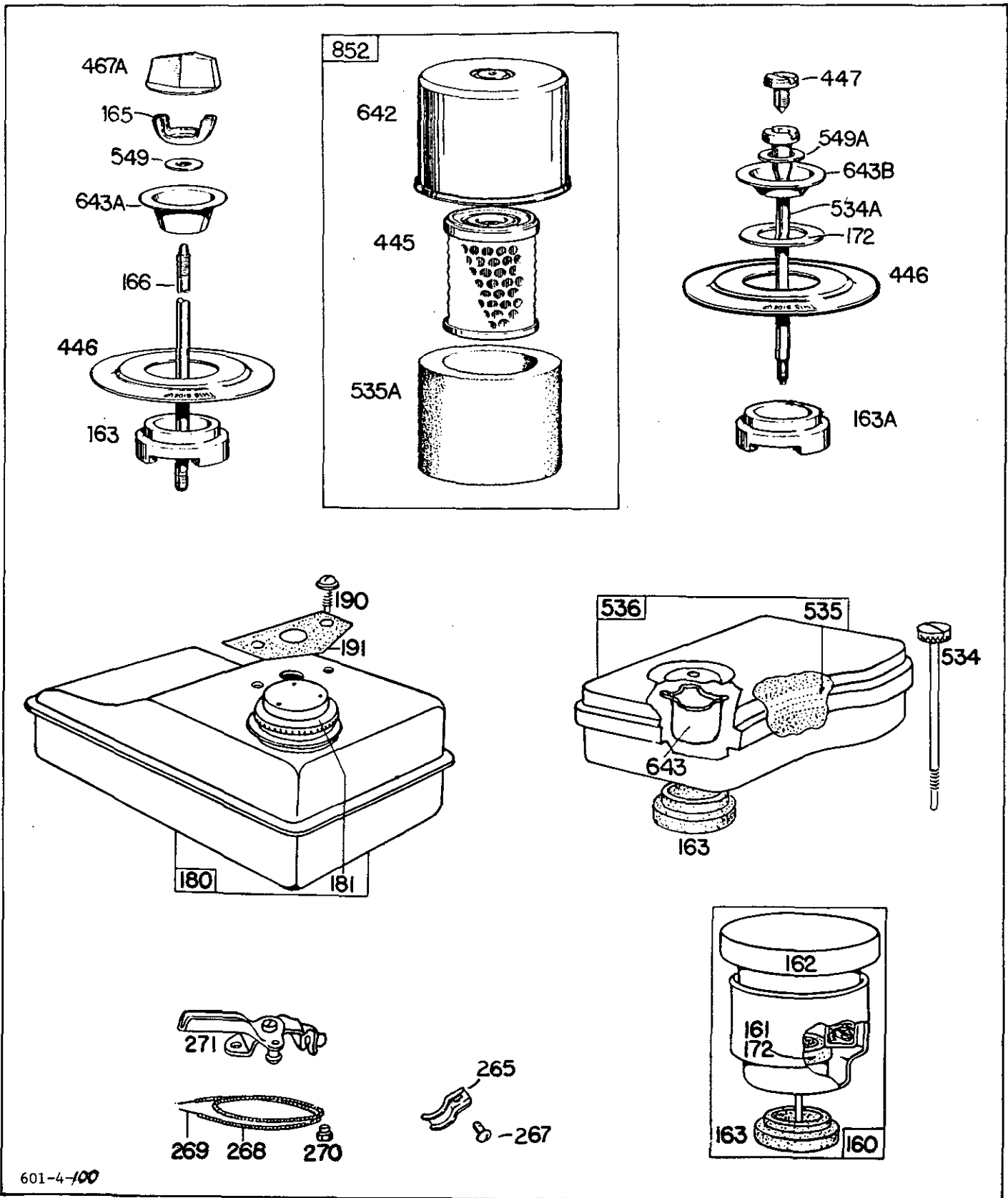
GENERAL NOTE: WHEN ORIGINAL CARBURETOR DOES NOT MATCH THE ABOVE ILLUSTRATION (REF. 90), ORDER PARTS FROM LOWER ILLUSTRATION (REF. 90A).

CARBURETOR WITH INDIVIDUAL LEVER SELECTIONS



601-3-100

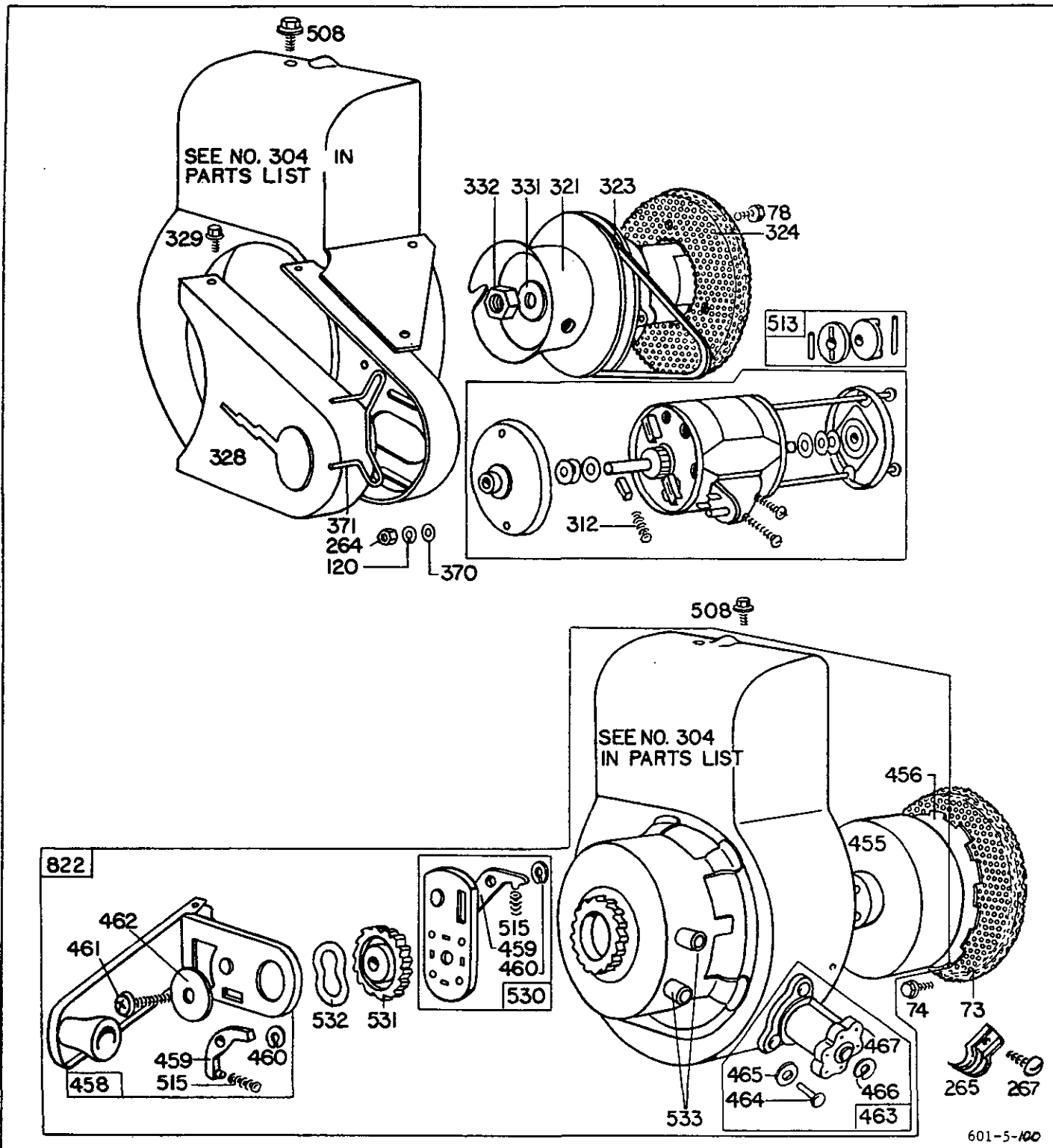
Assemblies include all parts shown in frames.



601-4-100

Assemblies include all parts shown in frames.

60100 to 60199
61100 to 61199



Assemblies include all parts shown in frames.

REF. NO.	PART NO.	DESCRIPTION	REF. NO.	PART NO.	DESCRIPTION	REF. NO.	PART NO.	DESCRIPTION
1	296561	Cylinder Assembly Used on <i>Model 60100</i> Series engines after Serial No. 5810030 Note: 294301 Cylinder Assembly Used on <i>Model 60100</i> Series engines before Serial No. 5810060.			940232; also used on <i>Model</i> <i>61100</i> Series Type Nos. 0139, 0141, 0147, 0148, 0152, 0154, 940539, 940543, 940565, 940566, 940576, 940592, 940599, 940612, 940613, 940651, 940655, 940661, 940685, 940687, 940698, 940701.			260039 Crankshaft Used on <i>Model 60100</i> Series Type Nos. 0238, 0261, 940124; also used on <i>Model</i> <i>61100</i> Series Type No. 940656.
	296610	Cylinder Assembly Used on <i>Model 61100</i> Series engines after Serial No. 5810030. Note: 295469 Cylinder Assembly Used on <i>Model 61100</i> Series engines before Serial No. 5810060.	12	†270833	Gasket—Crankcase— .015" thick (Std.)			260043 Crankshaft Used on <i>Model 60100</i> Series Type Nos. 940017; also used on <i>Model 61100</i> Series Type Nos. 0125, 940517.
2	293708	Bushing—Cylinder		†270895	Gasket—Crankcase— .005" thick			260100 Crankshaft Used on <i>Model 60100</i> Series Type Nos. 0125, 0126, 0174, 0203, 0208, 0214, 0235, 0236, 0240, 0241, 0245, 0274, 0309, 940018, 940067, 940109, 940121, 940126, 940129, 940132, 940149, 940150, 940171, 940201; also used on <i>Model 61100</i> Series Type Nos. 0126, 940518, 940575, 940660, 940662, 940679.
3	299819	Seal—Oil		†270896	Gasket—Crankcase— .009" thick			260103 Crankshaft Used on <i>Model 60100</i> Series Type Nos. 0120, 0121, 0169, 0190, 0289, 0313, 0331, 0390, 0450, 0452, 0460, 940015, 940016, 940087, 940088, 940117, 940131, 940133, 940166, 940192, 940217, 940260; also used on <i>Model 61100</i> Series Type Nos. 0120, 0121, 0150, 940515, 940516, 940641, 940706.
5	210812	Head—Cylinder (Used after Serial No. 5810030) Note: 210209 Head—Cylinder Used on engines before Serial No. 5810060.	13	93111	Screw—Cylinder Head (1-15/16" long) Note: 93583 Stud—Cylinder Head (1) 22963 Washer (1) Used on Type Nos. 0143, 0379, 0410, 0450.			
6	22963	Washer—Flat		14	93113	Screw—Cylinder Head (2-5/16" long) Note: 93583 Stud—Cylinder Head (1) 22963 Washer (1) Used on Type Nos. 0317, 0326, 0357, 0361, 0379, 0410.		
7	†27670	Gasket—Cylinder Hd.		15	91249	Plug—Pipe, 1/4" Std., Square Head Note: 93448 Plug—Oil Drain Used on Type Nos. 0262, 0267, 0301, 0305, 0334, 0348, 0357, 0377, 0378, 0381, 0386, 0391, 0392, 0393, 0404, 0410, 0420, 0425, 0426, 0434, 0435, 0442, 0447, 0453, 0454.		
8	294178	Breather—Valve Chamber		16	260271	Crankshaft Note: 260037 Crankshaft Used on <i>Model 60100</i> Series Type No. 940164; also used on <i>Model 61100</i> Series Type Nos. 0144, 940560, 940649.		
9	†27549	Gasket—Valve Cover						
10	93394	Screw—Breather Mounting Sem						
11	66638	Tube—Breather Note: 295217 Breather Tube and Spacer Used on <i>Model 60100</i> Series Type Nos. 0145, 0149, 0165, 0195, 0203, 0243, 0266, 0269, 0293, 0302, 0325, 0330, 0338, 0350, 0372, 0375, 0376, 0378, 0379, 0381, 0382, 0389, 0398, 0401, 0406, 0417, 0419, 0422, 0423, 0424, 0447, 0452, 0454, 940047, 940090, 940104, 940109, 940147, 940167, 940193, 940202, 940221, 940230,						

†Included in Gasket Set—
Part No. 297275.

60100 to 60199
61100 to 61199

REF. NO.	PART NO.	DESCRIPTION	REF. NO.	PART NO.	DESCRIPTION	REF. NO.	PART NO.	DESCRIPTION
	260116	Crankshaft Used on <i>Model 60100</i> Series Type Nos. 0142, 0172, 0177, 0196, 0264, 0278, 0291, 0292, 0297, 0330, 0363. 940120, 940156, 940162, 940202; also used on <i>Model</i> <i>61100</i> Series Type Nos. 0138, 0139, 0142, 940651, 940652, 940664, 940700, 940701, 940705.		260493	Crankshaft Used on <i>Model 60100</i> Series Type Nos. 0204, 940048, 940071, 940140. also used on <i>Model</i> <i>61100</i> Series Type Nos. 0140, 940627, 940643, 940688, 940691.		Note:	394879 Cover Assy.— Crankcase Used after Code No. 81120800.
	260206	Crankshaft Used on <i>Model 60100</i> Series Type Nos. 0211, 940112.		260494	Crankshaft Used on <i>Model 60100</i> Series Type Nos. 0325, 0329, 940078, 940107, 940115, 940127; also used on <i>Model 61100</i> Series Type Nos. 940644, 940698.		298281 Cover Assy.— Crankcase Used before Code No. 81120900. Used on <i>Model 60192</i> Series.	
	260248	Crankshaft Used on <i>Model 60100</i> Series Type Nos. 0157, 0160, 0221, 0226, 0228, 0229, 0237, 0263, 0275, 0276, 0277, 0308, 0334, 0339, 0342, 0358, 0365, 0367, 0370, 0377, 0380, 0381, 0383, 0384, 0385, 0386, 0387, 0389, 0391, 0393, 0395, 0396, 0397, 0399, 0404, 0429, 0433, 0435, 0436, 0439, 0440, 0447, 0454, 0461, 0462, 940028, 940172, 940173, 940521, 940588, 940589, 940632, 940639. Also used on <i>Model</i> <i>61100</i> Series Type No. 940593.		260495	Crankshaft Used on <i>Model 60100</i> Series Type Nos. 0197, 0405, 940029, 940263, 940544; also used on <i>Model 61100</i> Series Type Nos. 0145, 940544.		394909 Cover Assy.— Crankcase Used after Code No. 81120800.	
	260266	Crankshaft Used on <i>Model 60100</i> Series Type Nos. 0165, 940037, 940221, 940248.		260664	Crankshaft Used on <i>Model 60100</i> Series Type Nos. 0187, 0243, 0338, 0344, 0362, 940170.		294307 Cover Assy.— Crankcase Used before Code No. 81120900. Used on <i>Model 60111</i> , <i>60112</i> , <i>60151</i> , <i>60152</i> , <i>61111</i> , <i>61112</i> , <i>61151</i> , <i>61152</i> Series.	
	260271	Crankshaft Used on Type No. 0465.		261067	Crankshaft Used on <i>Model 60100</i> Series Type No. 0350.		395259 Cover Assy.— Crankcase Used after Code No. 81120800.	
			17	99158	Bearing—Ball	19	293708	Bushing—Crankcase Cover Assy. (Includes 220538 Bushing) Note: Bushings require special tools for installation.
			18	394820	Cover Assembly— Crankcase Used after Code No. 81120800.		Note:	294499 Bushing— Crankcase Cover Assy. (Includes 220538 Bushing) Used on <i>Model 60111</i> , <i>60112</i> , <i>60151</i> , <i>60152</i> , <i>61111</i> , <i>61112</i> , <i>61151</i> , <i>61152</i> Series.
				392974	Cover Assembly— Crankcase Used before Code No. 81120900. Used on <i>Model 60101</i> , <i>60102</i> , <i>60103</i> , <i>60106</i> , <i>61101</i> , <i>61102</i> , <i>61103</i> , <i>61106</i> Series.	20	299819	Seal—Oil Note: 293740 Seal—Oil Used on <i>Model 60131</i> , <i>60132</i> , <i>61131</i> , <i>61132</i> , Series.

60100 to 60199
61100 to 61199

REF. NO.	PART NO.	DESCRIPTION	REF. NO.	PART NO.	DESCRIPTION	REF. NO.	PART NO.	DESCRIPTION
	391484	Seal—Oil Used on the Auxiliary P.T.O. Shaft on <i>Model 60192 Series.</i>	23A	295936	Flywheel—Magneto (Used before Serial No. 6212310)	295589		Piston Assembly— .020" O.S. (for 2-3/8" Bore) Used on <i>Model 60100</i> Series after Serial No. 5810030.
	392838	Oil Seal and Spacer Used on <i>Model 60111,</i> <i>60112, 60151, 60152,</i> <i>61111, 61112, 61151,</i> <i>61152 Series.</i>	24	61760	Key—Flywheel	Note:	293402	Piston Assy.— .020" O.S. (for 2-5/16" Bore) Used on <i>Model 60100</i> Series before Serial No. 5810060.
	392986	Oil Seal and Spacer Used on Type Nos. 0437, 0465.	25	295587	Piston Assy.—Std. (for 2-3/8" Bore) Used on <i>Model 60100</i> Series after Serial No. 5810030.		295457	Piston Assy.— .020" O.S. (for 2-3/8" Bore) Used on <i>Model 61100</i> Series after Serial No. 5810030.
21	66768	Plug—Oil Filler	Note:	293400	Piston Assy.— Standard (for 2-5/16" Bore) Used on <i>Model 60100</i> Series before Serial No. 5810060.		295455	Piston Assy.— Standard (for 2-3/8" Bore) Used on <i>Model 61100</i> Series after Serial No. 5810030.
	Note:	298858 Oil Minder Used on <i>Model 60100</i> Series Type Nos. 0178, 0180, 0384.		295479	Piston Assy.— Standard (for 2-5/16" Bore) Used on <i>Model 61100</i> Series before Serial No. 5810060.		295481	Piston Assy.— .020" O.S. (for 2-5/16" Bore) Used on <i>Model 61100</i> Series before Serial No. 5810060.
22	93032	Screw—Crankcase Cover Mounting Sem		295588	Piston Assembly— .010" O.S. (for 2-3/8" Bore) Used on <i>Model 60100</i> Series after Serial No. 5810030.	295590		Piston Assembly— .030" O.S. (for 2-3/8" Bore) Used on <i>Model 60100</i> Series after Serial No. 5810030.
	Note:	92747 Screw—Crank- case Cover Mtg. Sem Used on two top holes to mount cover on <i>Model 60111, 60112,</i> <i>60151, 60152, 61111,</i> <i>61112, 61151, 61152</i> Series.		Note:	293401 Piston Assy.— .010" O.S. (for 2-5/16" Bore) Used on <i>Model 60100</i> Series before Serial No. 5810060.	Note:	293403 Piston Assy.— .030" O.S. (for 2-5/16" Bore) Used on <i>Model 60100</i> Series before Serial No. 5810060.	
	93466	Screw—Sem Used on two top holes to mount cover and bracket on <i>Model</i> <i>60100 Series Type Nos.</i> 0305, 0332; also used on <i>Model 61100 Series</i> Type No. 0133.		295456	Piston Assy.— .010" O.S. (for 2-3/8" Bore) Used on <i>Model 61100</i> Series after Serial No. 5810030.		295458	Piston Assy.— .030" O.S. (for 2-3/8" Bore) Used on <i>Model 61100</i> Series after Serial No. 5810030.
	90832	Washer—Lock Used to mount crank- case cover on Type Nos. 0377, 0380, 0383, 0384, 0387, 0389, 0392, 0395, 0397, 0399, 0404, 0433, 0461, 0462.		295480	Piston Assy.— .010" O.S. (for 2-5/16" Bore) Used on <i>Model 61100</i> Series before Serial No. 5810060.		295482	Piston Assy.— .030" O.S. (for 2-5/16" Bore) Used on <i>Model 61100</i> Series before Serial No. 5810060.
23	296884	Flywheel—Magneto (Used on and after Serial No. 6201310)						
	Note:	297949 Flywheel— Magneto Used on Type No. 0460.						

60100 to 60199
61100 to 61199

REF. NO.	PART NO.	DESCRIPTION	REF. NO.	PART NO.	DESCRIPTION	REF. NO.	PART NO.	DESCRIPTION
MODEL 60100 SERIES RING SETS:								
		Note: For Chrome Piston Ring Set for 2-3/8" Bore—standard size order Part No. 297201 .						
26	294232	Ring Set—Standard Piston Used on <i>Model 60100</i> Series after Serial No. 5810030. Note: 293506 Ring Set—Standard Piston Used on <i>Model 60100</i> Series before Serial No. 5810060.		295657	Ring Set—Standard Piston Used on <i>Model 61100</i> Series after Serial No. 5810030. Note: 295649 Ring Set—Standard Piston Used on <i>Model 61100</i> Series before Serial No. 5810060.	33	296676	Valve—Exhaust Note: 260442 Valve—Exhaust (with Hole in Stem) Used on <i>Model 60100</i> Series Type No. 940127; <i>Model 61100</i> Series Type No. 940698. 260443 Valve—Exhaust (STELLITE®) (with Hole in Stem) Used on <i>Model 60100</i> Series Type Nos. 0220, 0246, 0338, 0421.
	294224	Ring Set— .010" O.S. Piston Used on <i>Model 60100</i> Series after Serial No. 5810030. Note: 293507 Ring Set— .010" O.S. Piston Used on <i>Model 60100</i> Series before Serial No. 5810060.		295658	Ring Set— .010" O.S. Piston Used on <i>Model 61100</i> Series after Serial No. 5810030. Note: 295650 Ring Set— .010" O.S. Piston Used on <i>Model 61100</i> Series before Serial No. 5810060.	34	296677	Valve—Intake (Used after Serial No. 5810030) Note: 23386 Valve—Intake Used on engines before Serial No. 5810060. 230101 Valve—Intake (with Hole in Stem) Used on <i>Model 60100</i> Series Type Nos. 0220, 0246, 0338.
	294225	Ring Set— .020" O.S. Piston Used on <i>Model 60100</i> Series after Serial No. 5810030. Note: 293508 Ring Set— .020" O.S. Piston Used on <i>Model 60100</i> Series before Serial No. 5810060.		295659	Ring Set— .020" O.S. Piston Used on <i>Model 61100</i> Series after Serial No. 5810030. Note: 295651 Ring Set— .020" O.S. Used on <i>Model 61100</i> Series before Serial No. 5810060.	35	260552	Spring—Intake Valve
	294226	Ring Set— .030" O.S. Piston Used on <i>Model 60100</i> Series after Serial No. 5810030. Note: 293509 Ring Set— .030" O.S. Piston Used on <i>Model 60100</i> Series before Serial No. 5810060.		295660	Ring Set— .030" O.S. Piston Used on <i>Model 61100</i> Series before Serial No. 5810030. Note: 295652 Ring Set— .030" O.S. Used on <i>Model 61100</i> Series before Serial No. 5810060.	36	26478	Spring—Exhaust Valve Note: 26826 Spring—Exhaust Valve Used on <i>Model 60100</i> Series Type Nos. 0338, 0421, 940127; <i>Model 61100</i> Series Type No. 940698.
		MODEL 61100 SERIES RING SETS:	27	26026	Lock—Piston Pin	37	220971	Guard—Flywheel
		Note: For Chrome Piston Ring Set for 2-3/8" Bore—standard size—order Part No. 297201 .	28	298909	Pin Assembly—Piston—Standard	40	93312	Retainer—Valve Spring (Used with valves with groove in stem) Note: 23184 Retainer—Valve Spring
				298908	Pin Assembly—Piston—.005" O.S.			
			29	294300	Rod Assembly—Connecting			
			30	220459	Dipper—Connecting Rod			
			31	220460	Lock—Connecting Rod Screw			
			32	92296	Screw—Connecting Rod			

60100 to 60199
61100 to 61199

REF. NO.	PART NO.	DESCRIPTION	REF. NO.	PART NO.	DESCRIPTION	REF. NO.	PART NO.	DESCRIPTION
		23187 Pin—Valve Spring Retainer Used with valves with hole in stem.	66	298310	Clutch Assy.—Rewind and Wind-up Starter Used after Code No. 6405220.	75	220865	Washer—Spring (Used to Lock Rewind Starter Clutch)
		292259 Rotocap—Exhaust Valve		Note:	298798 Cluth Assy.—Rewind and Wind-p Starter Used before Code No. 6405250.	76	68238	Washer—Ratchet Sealing Used after Code No. 6405220.
		230126 Pin—Exhaust Valve Rotocap Retainer				78	93705	Screen—Pulley Screen Mounting Sem
		230127 Retainer—Exhaust Valve Rotocap Used on <i>Model 60100</i> Series Type Nos. 0338, 0421, 940127; <i>Model 61100</i> Series Type No. 940698.	67	212131	Housing—Starter Clutch Used after Code No. 6405220.	79	290779	Case Assembly—Gear
45	230173	Tappet—Valve		Note:	210400 Housing—Starter Clutch Used before Code No. 6405250.	80	27667	Gasket—Gear Case
46	210453	Gear—Cam	68	63770	Ball—Clutch	81	220234	Lock—Gear Case Mounting Screw
46A	211337	Gear—Cam (Auxiliary Drive)	70	298436	Ratchet—Rewind and Wind-up Starter Used after Code No. 6405220.	82	91541	Screw—Cap, Hex. Hd.—5/16-24 x 7/8"
52	†27355	Gasket—Intake Elbow (2 used)		Note:	296597 Ratchet—Rewind Starter Used before Code No. 6405250.	82A	92279	Screw—Cap, Hex. Hd.—5/16-24 x 1-1/2"
53	93357	Screw—Carburetor Mounting Sem	71	221653	Washer—Clutch Retainer Used after Code No. 6405220.	83	211293	Shaft Assembly—Drive Note: 211339 Shaft Assy.—Drive Used on <i>Model 60100</i> Series Type Nos. 0235, 940129, 940132.
56	280117	Pulley—Rewind Starter Used after Code No. 6506301.		Note:	221301 Washer—Clutch Retainer (Used with square shank ratchet) Used before Code No. 6405250.	84	92617	Plug—Breather
		Note: 294088 Pulley—Rewind Starter Used before Code No. 6507011.				85	92747	Screw—Gear Case Cover Mounting Sem
57	294303	Spring—Rewind Starter		Note:	221301 Washer—Clutch Retainer (Used with square shank ratchet) Used before Code No. 6405250.	86	291730	Cover Assembly—Gear Case
58	66694	Rope—Starter (47-1/8" long) Used after Code No. 6506301.	72	26032	Spring—Clutch Retainer Used before Code No. 6405250.	87	19011	Seal—Oil
		Note: 395022 Rope—Starter (47-1/8" long) Used before Code No. 6507011. If longer rope is needed, order No. 66684 (used after Code No. 6506301) or No. 66514 (used before Code No. 6507011) and cut to required length.	73	221661	Screen—Rotating Used after Code No. 6405220.	88	27313	Gasket—Gear Case Cover
				Note:	220648 Screen—Rotating Used before Code No. 6405250.	89	93448	Plug—Oil Drain, 1/4" Pipe Thread Used before Code No. 6304170.
59	230228	Pin—Starter Grip	74	93490	Screw—Rotating Screen Mounting Sem			Note: 92015 Plug—Oil Drain, 1/8" Pipe Thread Used before Code No. 6304180.
60	393152	Grip—Starter Rope				90	393974	Carburetor Assembly (Uses 222955 Ref. 156 Lever)
61	68618	Bumper—Starter Pulley Used only with Steel Pulley.				90A	295490	Carburetor Assembly (Manual Choke) Note: 295071 Carburetor Assembly (Manual Choke) Used on <i>Model 60100</i> Series Type Nos. 0211, 940112.

†Included in Gasket Set—
Part No. 297275.

60100 to 60199
61100 to 61199

REF. NO.	PART NO.	DESCRIPTION	REF. NO.	PART NO.	DESCRIPTION	REF. NO.	PART NO.	DESCRIPTION	
	295492	Carburetor Assembly (Choke-A-Matic) Used on <i>Model 60100</i> Series Type Nos. 0016, 0139, 0141, 0143, 0147, 0150, 0156, 0170, 0173, 0181, 0182, 0185, 0186, 0192, 0221, 0222, 0225, 0227, 0244, 0250, 0251, 0256, 0258, 0259, 0260, 0265, 0270, 0271, 0273, 0277, 0279, 0281, 0282, 0283, 0284, 0288, 0291, 0294, 0295, 0296, 0297, 0298, 0301, 0306, 0312, 0314, 0316, 0318, 0320, 0322, 0328, 0333, 0337, 0340, 0342, 0344, 0348, 0355, 0356, 0361, 0363, 0366, 0367, 0370, 0381, 0386, 0391, 0398, 0406, 0409, 0410, 0411, 0415, 0416, 0417, 0419, 0420, 0423, 0424, 0426, 0427, 0434, 0435, 0445, 0453, 0456, 0457, 0458, 0461, 0462, 0464, 940026, 940047, 940056, 940080, 940091, 940099, 940114, 940118, 940141, 940146, 940147, 940173, 940176, 940179, 940180, 940181, 940182, 940186, 940187, 940189, 940190, 940195, 940196, 940200, 940201, 940207, 940209, 940216, 940218, 940223, 940224, 940235, 940240, 940241,		940242, 940246, 940247, 940249, 940257; also used on <i>Model 61100</i> Series Type Nos. 0136, 0137, 940525, 940530, 940549, 940550, 940553, 940569, 940573, 940574, 940596, 940602, 940604, 940611, 940612, 940613, 940621, 940625, 940635, 940636, 940637, 940639, 940640, 940642, 940653, 940657, 940658, 940663, 940665, 940666, 940671, 940672, 940673, 940678, 940683, 940684, 940693, 940707. 295547 Carburetor Assembly (Manual Choke) Used on <i>Model 60100</i> Series Type Nos. 0133, 0280; also used on <i>Model 61100</i> Series Type Nos. 0149, 940543. 295683 Carburetor Assembly (Choke-A-Matic) Used on <i>Model 60100</i> Series Type Nos. 940070, 940085, 940153, 940154. 296396 Carburetor Assembly (Choke-A-Matic) Used on <i>Model 60100</i> Series Type Nos. 0136, 0137, 0138, 0176, 0188, 0207, 940183, 940184, 940185, 940236, 940237, 940238, 940239; also used on <i>Model 61100</i> Series Type Nos. 940620, 940646.		296925 Carburetor Assembly (Manual Choke) Used on <i>Model 60100</i> Series Type no. 940158, also used on <i>Model 61100</i> Series Type Nos. 0138, 0267, 297659 Carburetor Assembly (Manual Choke) Used on <i>Model 60100</i> Series Type Nos. 0155, 0210, 940212, 940213, 940229. 298270 Carburetor Assembly Used on <i>Model 60100</i> Series Type Nos. 0010, 0135, 0145, 0193, 0233, 0247, 0255, 0257, 0266, 0285, 0293, 0304, 0307, 0310, 0324, 0325, 0330, 0353, 0364, 0368, 0372, 0387, 0388, 0389, 0395, 0396, 0397, 0400, 0401, 0402, 0412, 0418, 0422, 0443, 0446, 0448, 0471, 940259; also used on <i>Model 61100</i> Series Type Nos. 0141, 0154. 391338 Carburetor Assembly Used on Type Nos. 0332, 0336, 0374, 0377, 0378, 0379, 0380, 0384, 0392, 0404, 0431, 0433, 0436, 0439, 0442. 391491 Carburetor Assembly Used on Type No. 0334, 0346, 0371.	95	93499	Screw—Throttle Valve Mounting Sem
						96	211286	Valve—Throttle	

REF. NO.	PART NO.	DESCRIPTION	REF. NO.	PART NO.	DESCRIPTION	REF. NO.	PART NO.	DESCRIPTION
96A	210719	Throttle—Carburetor (Used on engines before Code No. 77030401) also used on Model 60100 Series Type Nos. 0155, 0210, 940212, 940213, 940229, 940239.			Uses: 230058 Stud 294871 Cleaner Assembly—Air (with mounting stud) Used on Model 60100 Series Type Nos. 940047, 940090, 940104, 940109; also used on Model 61100 Series Type Nos. 940543, 940565, 940566, 940576, 940592, 940599, 940612, 940613.	163	27660	Gasket—Air Cleaner Mounting Note: 27870 Gasket—Air Cleaner Mounting Used on Model 60100 Series Type Nos. 0145, 0149, 0165, 0195, 0203, 0243, 0266, 0269, 0293, 0302, 0325, 0330, 0338, 0350, 0367, 0375, 0378, 0379, 0381, 0382, 0389, 0398, 0401, 0417, 0419, 0422, 0423, 0424, 0447, 940047, 940090, 940104, 940109, 940147, 940167, 940193, 940202, 940221, 940230, 940232; also used on Model 61100 Series Type Nos. 0139, 0141, 0147, 0148, 0152, 0154, 940539, 940543, 940565, 940566, 940576, 940592, 940599, 940612, 940613, 940651, 940655, 940661, 940685, 940687, 940698, 940701.
96B	210568	Throttle—Carburetor Used on Model 60100 Series Type Nos. 0211, 940112.	161	293991	Bowl—Air Cleaner	163A	270488	Gasket—Air Cleaner
97	392819	Shaft and Lever—Throttle	162	294861	Cover and Filter—Air Cleaner (with mounting stud)	165	93856	Nut—Wing (No. 10-32)
99	393586	Spring (Includes Fil. Hd. Screw)			Note: 297778 Cover—Carburtor Intake Used on Model 60100 Series Type Nos. 0146, 0152, 0155, 0157, 0159, 0210, 0216, 0263, 0286, 940025, 940028, 940036, 940046, 940054, 940062, 940063, 940065, 940084, 940212, 940213, 940229; also used on Model 61100 Series Type No. 940538.	166	231176	Stud—Air Cleaner
114	65787	Gasket—Needle Valve			292037 Cover and Filter—Air Cleaner Used on Type No. 940539.	172	27795	Gasket—Air Cleaner
116	65978	Packing—Needle Valve			294862 Cover and Filter—Air Cleaner (with mounting stud) Used on Model 60100 Series Type Nos. 940047, 940090, 940104, 940109; also used on Model 61100 Series Type Nos. 940539, 940543, 940565, 940566, 940576, 940592, 940599, 940612, 940613.	180	394522	Tank Assembly—Fuel
117	23431	Nut—Needle Valve				291834		Tank Assembly—Fuel (Used before Code No. 80030300)
118	23433	Valve—Needle					Note: 29865 Tank Assembly—Fuel	
120	92290	Washer—Lock—No. 10 x 1/16 x 3/64"					Uses: 29863 Outlet Assy. 62007 Clamp—Tank Holding (2) 63058 Connector 65294 Gasket—Outlet Assembly 65787 Gasket—Connector	
147	23432	Seat—Needle Valve						
148	22235	Washer—Needle Valve (2)						
149	26336	Spring—Needle Valve						
150	220105	Connector—Governor Link Used before Serial No. 6610122.						
152	260575	Spring—Speed and Throttle Adjustment						
153	298031	Screw—Carburetor Lever Note: 93177 Screw—Bell Crank Mounting Used on Model 60100 Series Type Nos. 0377, 940070, 940085, 940153, 940154.						
154	93527	Screw—Machine, Rd. Hd.—5-40 x 5/8"						
155	220107	Cam—Speed Adjuster						
156	222955	Lever—Speed Adjuster						
156A	220949	Lever—Speed Adjuster						
160	294870	Cleaner Assy.—Air (with mounting stud) Note: 393766 Cleaner Assembly—Air Used on Type No. 940539.						

60100 to 60199
61100 to 61199

REF. NO.	PART NO.	DESCRIPTION	REF. NO.	PART NO.	DESCRIPTION	REF. NO.	PART NO.	DESCRIPTION
		69335 Pipe—Fuel Used on Type No. 940062.			Note: 220689 Crank—Bell Used on <i>Model 60100</i> Series Type Nos. 0133, 0267, 0280; also used on <i>Model 61100</i> Series Type Nos. 0149, 940543.			also used on <i>Model 61100</i> Series Type Nos. 0136, 940640, 940707.
		395502 Tank Assy.— Fuel (Used after Code No. 80030200)			221390 Crank—Bell Used on <i>Model 60100</i> Series Type No. 940158; also used on <i>Model 61100</i> Series Type No. 0138.			260687 Spring— Governor Used on <i>Model 60100</i> Series Type Nos. 0182, 0186, 0258, 0259, 0260, 0270, 0282, 0283, 0284, 0314, 0318, 0320, 0322, 0340, 0363, 0366, 0367, 0370, 0381, 0386, 0391, 0411, 0416, 0417, 0419, 0423, 0435, 0456, 0461, 0462, 940196, 940218; also used on <i>Model 61100</i> Series Type Nos. 940569, 940602, 940671.
181	298425	Cap—Fuel Tank						
	Note:	69221 Cap—Fuel Tank (1-3/4" O.D. Top) Used on engines before Serial No. 6108030.	204	230531	Bushing—Bell Crank			
		293270 Cap—Fuel Used on Type Nos. 0134, 0290.		Note:	230450 Bushing—Bell Crank Used on <i>Model 60100</i> Series Type No. 940158; also used on <i>Model 61100</i> Series Type No. 0138.			
		392304 Cap—Fuel Used on Type Nos. 0377, 0404.	209	260041	Spring—Governor			
187	296476	Pipe—Fuel (Used to replace Plastic pipes)		Note:	261658 Spring— Governor Used on <i>Model 60100</i> Series Type Nos. 0469, 0470.	215	293424	Control—Governor
	Note:	293700 Pipe—Fuel (Used to replace brass pipes)				215A	222110	Lever—Control Uses:
189	90366	Washer—Lock— 5/16 x 1/8 x 1/16"	209A	260041	Spring—Governor			222108 Plate—Detent
190	93440	Screw—Fuel Tank Mtg.		Note:	To replace Governor Spring on <i>Model 60100</i> Series Type Nos. 0136, 0137, 0138, 0176, 0188, 0207, 940183, 940184, 940185, 940236, 940237, 940238, 940239; also Governor Spring used on <i>Model 61100</i> Series Type Nos. 940620, 940646— order part no. 296370 .			230943 Bushing—Lever
191	†27404	Gasket—Fuel Tank Mtg.						261053 Link—Control
200	297310	Blade—Governor Used on and after Code No. 6212310.						93569 Washer—Spring
200A	294298	Blade—Governor Used before Code No. 6212310.						91494 Screw—Lever Mounting Used on <i>Model 60100</i> Series Type Nos. 0295, 0381.
201	260040	Link—Governor Used after Code No. 6610111.				216	260188	Link—Choke (Choke-A-Matic)
	Note:	260040 Link—Governor Used on <i>Model 60100</i> Series Type No. 940112.				217	260189	Spring—Choke Link (Choke-A-Matic)
201A	260716	Link—Governor Used before Code No. 6610121.				218	220968	Washer—Choke Link (Choke-A-Matic)
203	221147	Crank—Bell Used on <i>Model 60100</i> Series Type Nos. 940070, 940085, 940153, 940154.				256	220952	Lever—Speed Adjuster Note: 296370 Lever, Gov. Spring and Speed Adjustment Assy. Used on <i>Model 60100</i> Series Type Nos. 0136, 0137, 0138, 0176, 0188, 0207, 940183, 940184, 940185, 940236, 940237, 940238, 940239; also used on <i>Model 61100</i> Series Type Nos. 940620, 940646.

†Included in Gasket Set—
Part No. 297275.

60100 to 60199
61100 to 61199

REF. NO.	PART NO.	DESCRIPTION	REF. NO.	PART NO.	DESCRIPTION	REF. NO.	PART NO.	DESCRIPTION
306	220478	Shield—Cylinder	333	298502	Armature—Magneto (Used on and after Serial No. 6212310)	347	220884	Switch—Stop (For 1-1/2" High— 37-42 M.M. Spark Plug)
307	93490	Screw—Cylinder Shield Mounting	333A	291617	Armature—Magneto (Used before Serial No. 6212310)		Note:	221808 Switch—Stop (For 2" High—51 M.M. Spark Plug)
308	220581	Cover—Cylinder Head Note: When order Cover— Cyl. Head for Type Nos. listed below, order No. 220884 Stop Switch and No. 220581 Cover together. Used on <i>Model 61100</i> Series Type Nos. 940603, 940605, 940619.	334	93381	Screw—Armature Mounting Sem	347A	298926	Switch—Stop Note: 293739 Switch—Stop Used on <i>Model 60100</i> Series Type Nos. 940171, 940217, 940250; also used on <i>Model 61100</i> Series Type Nos. 940660, 940682.
312	260404	Spring—Brush	335	93381	Screw—Coil Lead and Armature Mounting Sem	348	296110	Plate Assembly—Stop Switch Insulator
321	210711	Pulley—Starter Note: When order this Pulley, order Vee-Belt part No. 67228 also.	336	292149	Cable—Ignition (Standard—Used before serial No. 6212310—Cables used after this Serial No. are integral with the Ignition Coil.) Note: 293141 Cable—Ignition Used on Type No. 940124. 294577 Cable—Ignition Used on <i>Model 60100</i> Series Type Nos. 940021; also used on <i>Model 61100</i> Series Type No. 940535 before Serial No. 6212310.	353	92791	Washer—Lock— Shakeproof (2)
323	67228	Belt—Vee Note: 67038 Belt—Vee Used on engines before Serial No. 5905040.	337	298809	Plug—Spark (1-1/2" High— 37-42 M.M.) Note: 29693 Plug—Spark (2" High—51 M.M.) 293918 Plug—Spark (1-1/2" High—37 M.M.) Resistor Type 392588 Plug—Spark (2" High—51 M.M.) Resistor Type 394539 Plug—Spark (2-3/8" High—60 M.M.) Resistor Type	354	90576	Nut—Hex. 8-32
324	220648	Screen—Electric Starter Pulley	340	26018	Spring—Breaker Arm	356	391115	Wire—Ground Note: 93167 Screw—Sem Used to fasten Ground Wire to Stop Swtich (Ref No. 348) on earlier model engines. 299500 Wire—Ground Used on Type No. 0440. 296185 Wire—Ground Used on Type Nos. 0431, 0433, 0434, 0435, 0436, 0439, 0442, 0445, 0453, 0455, 0456, 0457, 0458, 0459, 0461, 0462, 0464, 0472. 391805 Wire—Ground Used on Type Nos. 0015, 0366.
324	29395	Starter Pulley with Screen (1/2" Hole in Pulley) Note: 221146 Pulley—Starter (5/8" Hole) Used on <i>Model 60100</i> Series Type Nos. 0243. For Pulley with Screen with 5/8" Hole in Pulley—Order No. 298731 .	341	93381	Screw—Breaker Arm Mounting Sem	357	91539	Key—3/16"—Square
328	221038	Guard—Belt	342	65704	Plunger—Breaker Point	358	297275	Gasket Set
329	93705	Screw—Belt Guard Mounting Sem	344	93042	Screw—Condensor Mounting Sem	362	291630	Shield—Spark Plug (With Stop Switch)
330	395022	Rope—Starter	345	220366	Cover—Breaker Point and Condensor	363	19069	Puller—Flywheel (Optional Accessory)
331	62577	Washer—Flywheel (1/2" Hole) Note: For Washer with 5/8" Hole—Order No. 220865 .	346	93705	Screw—Dust Cover Mounting Sem	370	66432	Washer—Plain
332	91708	Nut—Flywheel (1/2-20 Left Hand Thread) Note: For Nut with 5/8-18 Right Hand Thread— Order No. 92284 .				371	260275	Restrictor—Belt
						373	220477	Clamp—Condensor
						373	92987	Nut—Condensor Term.
						374	92813	Washer—Lock—Shake- proof No. 1210-06

REF. NO.	PART NO.	DESCRIPTION	REF. NO.	PART NO.	DESCRIPTION	REF. NO.	PART NO.	DESCRIPTION
375	294628	Breaker Points and Condensor Set Note: 299061 Ignition Kit Includes: 294628 Point Set 65704 Plunger 61760 Key—Flywheel	521	297973	Shielding—Ignition Cable Used after Serial No. 6209290 on cables integral with Ignition Coil on Type Nos. 940021, 940535.			270551 Spacer—Air Cleaner Screw Used on <i>Model 60100</i> Series Type Nos. 0282, 0283, 0314, 0340.
383	89838	Wrench—Spark Plug	523	69345	Cap—Oil Filler	534A	93825	Screw—Air Cleaner (Internal)
414	220982	Washer Note: 22398 Washer Used on <i>Model 60100</i> Series Type Nos. 0133, 0267, 940158; also used on <i>Model 61100</i> Series Type No. 940543.	524	65304	Gasket—Oil Filler Cap	535	27987	Element—Air Cleaner Note: 270067 Element—Air Cleaner Used on Type Nos. 0295, 0336, 0381, 0410, 0420.
445	392308	Cartridge—Air Cleaner	525	91258	Nipple—Oil Filler Note: Use 394884 Adapter—Oil Filler with Nipple	535A	270979	Element—Air Cleaner
446	222844	Base—Air Cleaner	530	296304	Housing Assy.—Pawl	536	296767	Cleaner Assy.—Air Note: 297595 Cleaner Assembly—Air Used on Type Nos. 0295, 0336, 0381, 0410, 0420.
447	93913	Screw—Cover Mounting	531	230615	Ratchet—Top Starter			
455	296455	Cup, Hub and Spring Assembly	532	260500	Washer—Spring			
456	221222	Plate—Retainer	533	67478	Knob—Stop			
458	296305	Handle Assy. — Cranking	534	93322	Screw—Air Cleaner Note: 93330 Screw—Air Cleaner Used on <i>Model 60100</i> Series Type Nos. 0145, 0149, 0165, 0195, 0203, 0243, 0266, 0269, 0293, 0302, 0325, 0330, 0338, 0350, 0378, 0379, 0381, 0401, 0406, 0417, 0419, 0422, 0423, 0424, 0447, 0452, 0454, 940047, 940090, 940104, 940209, 940147, 940167, 940193, 940202, 940221, 940230, 940232; also used on <i>Model 61100</i> Series Type Nos. 0139, 0141, 0147, 0148, 0152, 0154, 940539, 940543, 940565, 940566, 940576, 940592, 940599, 940612, 940613, 940651, 940655, 940661, 940685, 940687, 940698, 940701.	538	260683	Rod—Speed Control (Square Rod) Note: For Round Wire Rod Order: 260560 Rod—Speed Control
460	93272	Retainer—Ratchet Pawl				539	260684	Link—Control Rod (Used only with Square Rod)
461	93231	Screw—Handle Mtg.				540	221380	Lever—Speed Adjuster Note: 220678 Lever—Speed Adjuster Used on Type Nos. 0332, 0334, 0336, 0374, 0377, 0378, 0379, 0380, 0384, 0431, 0433, 0436, 0439, 0442.
462	221237	Washer—Handle Mtg.						
463	296445	Holder Assembly—Flywheel				541	22398	Washer—Speed Adjuster to Carburetor
464	93291	Rivet—Holder Assy. Mounting				542	393586	Screw—Machine, Fil. Hd.—Includes Spring Note: 93686 Screw—Self Tap 221372 Clip—Speed Control Rod Used only with Round Wire Control Rod.
465	221226	Washer—Holder Assembly Mounting						
466	93272	Retainer—Holder Control Knob				549	271118	Washer—Air Cleaner
467	211017	Knob—Control				549A	270978	Washer (Below Internal Screw Head)
467A	212293	Knob—Air Cleaner						
506	90200	Screw—Machine, Fil. Hd.—8-32 x 1/2"						
507	66895	Insulator Note: 93722 Terminal—Spade Used on Type No. 0366.						
508	93294	Screw—Blower Housing Mounting Sem						
513	296567	Clutch Assembly—Electric Starter						
515	260537	Spring—Ratchet Pawl						
516	260374	Spring—Connector						

60100 to 60199

61100 to 61199

REF. NO.	PART NO.	DESCRIPTION	REF. NO.	PART NO.	DESCRIPTION	REF. NO.	PART NO.	DESCRIPTION
608	294259	Starter Assy.—Rewind (10 o'clock)		940020, 940047, 940103, 940104, 940147, 940171, 940175, 940176, 940177, 940195, 940204, 940205, 940232, 940245, 940251, 940255, 940257; also used on Model 61100	634	270167	Washer (Felt)	
	Note:	294282 Starter Assy.—Rewind (4 o'clock) Used on Model 60100 Series Type Nos. 0152, 940057, 940059.		Series Type Nos. 0135, 0137, 0138, 0139, 0141, 0147, 0149, 0152, 940531, 940539, 940543, 940552, 940555, 940565, 940566, 940567, 940572, 940599, 940612, 940619, 940634, 940660, 940661, 940679, 940683, 940693, 940700, 940701.	635	66538	Elbow—Spark Plug	
		294337 Starter Assy.—Rewind (12 o'clock) Used on Model 60100 Series Type Nos. 0015, 0016, 0131, 0132, 0133, 0134, 0143, 0147, 0148, 0149, 0150, 0161, 0217, 0226, 0237, 0242, 0257, 0262, 0266, 0267, 0280, 0284, 0296, 0298, 0300, 0301, 0304, 0312, 0313, 0317, 0318, 0319, 0322, 0323, 0326, 0327, 0333, 0334, 0342, 0345, 0348, 0349, 0350, 0353, 0361, 0383, 0386, 0388, 0391, 0396, 0398, 0403, 0413, 0426, 0429, 0435, 0438, 0441, 0446, 0450, 0453, 0457, 0460, 0463, 0466, 0473,		295816 Starter Assy.—Rewind (12 o'clock) Used on Model 60100 Series Type Nos. 0199, 0286, 0343, 0351, 940174.	642	222626	Cover—Air Cleaner	
			296894 Starter Assy.—Rewind (1:30 o'clock) Used on Model 60100 Series Type Nos. 0175, 0235, 0236, 0241, 0245, 0269, 0315, 0354, 0364, 0408.	643	222991	Cup—Air Cleaner		
				643A	222845	Cup—Air Cleaner		
				643B	222594	Cup—Air Cleaner		
				645	23513	Bushing—Plunger		
				676	393760	Deflector—Exhaust		
				681	299059	Needle Valve Kit		
				822	296732	Starter Assy.—Wind-Up		
				851	221798	Terminal—Ignition Cable		
				852	392368	Cleaner Assy.—Air Note: For Dual Element Air Cleaner Kit Order Part No. 393018.		
				869	210879	Seat—Intake Valve (Standard) Note: See Repair Instructions Manual for Options.		
				870	211291	Seat—Exhaust Valve (Standard) Note: See Repair Instructions Manual for Options.		
				871	63709	Guide—Exhaust Valve		
				898	92507	Lockwasher—Internal Tooth		
				899	93397	Lockwasher—External Tooth		

