

Illustrated Parts List

Model Series

210800

TYPE NUMBERS
0110.

TABLE OF CONTENTS

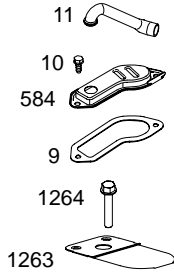
Air Cleaner/Blower Housing	6
Alternator	8
Cams	3
Carburetor	5
Controls	8
Crankcase Cover/Sump	2
Crankshaft	3
Cylinder	2
Electric Starter	7
Flywheel	7
Head	4
Ignition	8
Kit/Gasket Sets – Carburetor	5
Kit/Gasket Sets – Engine	4
Kit/Gasket Sets – Valve	4
Muffler	6
Oil	3
Piston	3
Rewind Starter	7



PRINTED IN U.S.A.

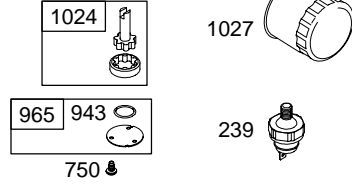
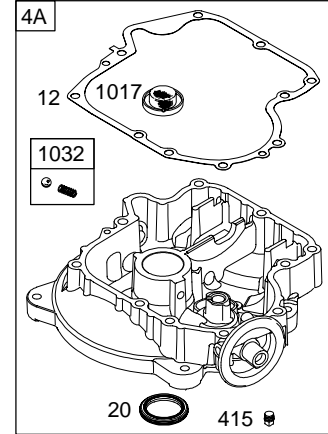
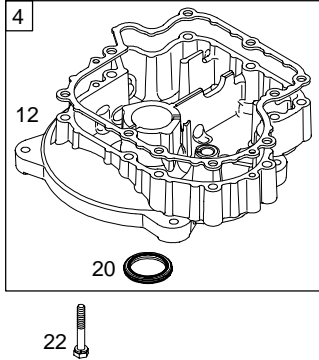
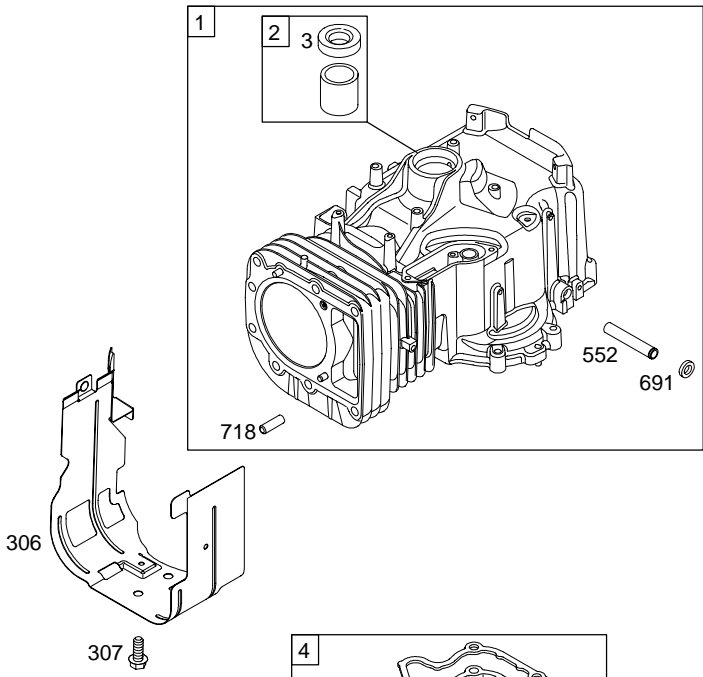
COPYRIGHT by BRIGGS & STRATTON CORPORATION
 All rights reserved. No part of this material may be reproduced or transmitted,
 in any form or by any means, electronic or mechanical, including photocopying,
 recording or by any information storage and retrieval system, without permission
 in writing from Briggs & Stratton Corporation.

210800

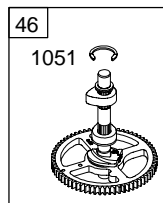
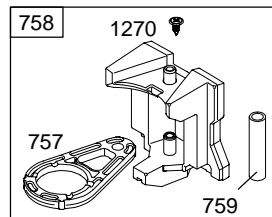
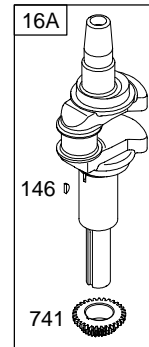
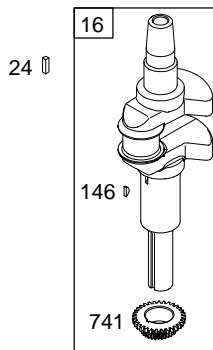
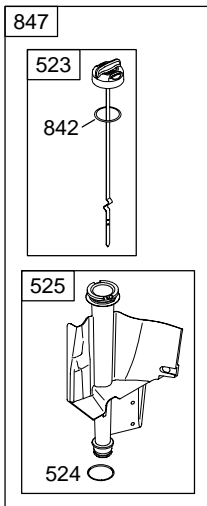
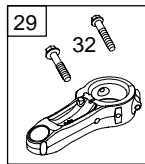
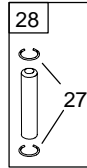
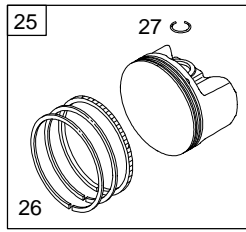


1019 LABEL KIT

1058 OWNER'S MANUAL

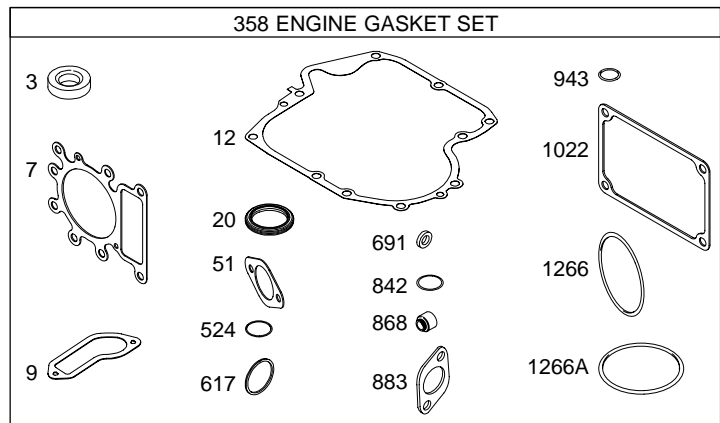
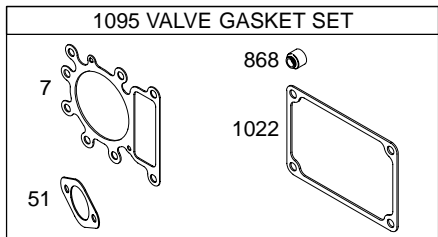
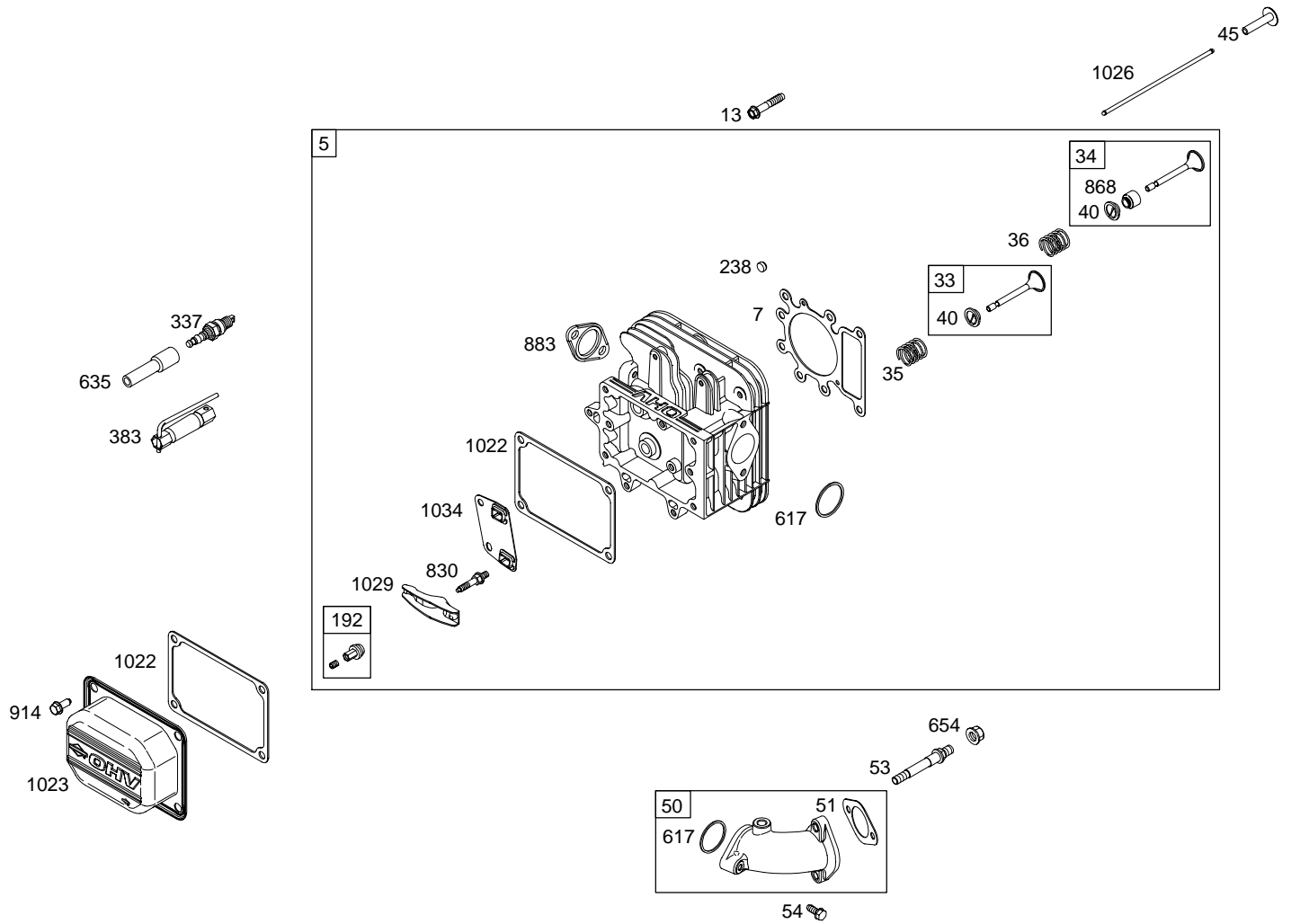


Illustrations cover a range of engines. Parts shown without corresponding text may not be used on your specific engine.
 5496-2 Assemblies include all parts shown in frames. 5/2003

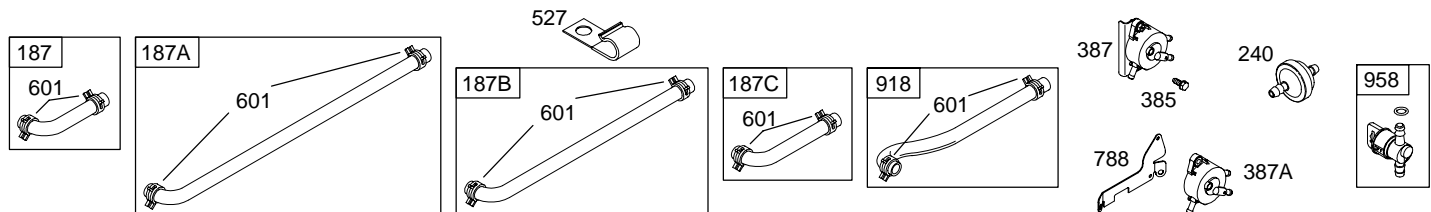
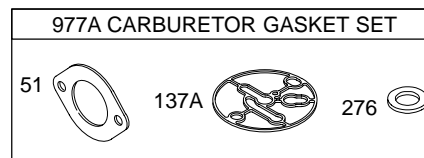
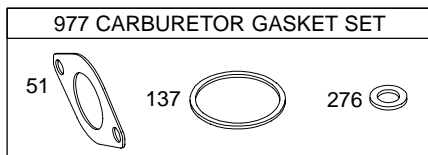
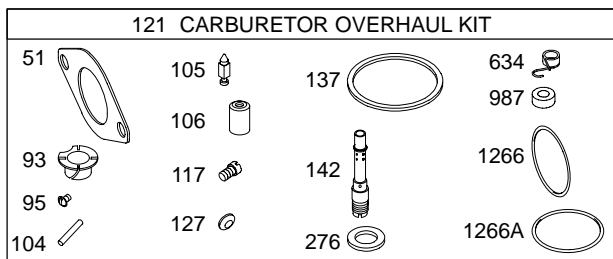
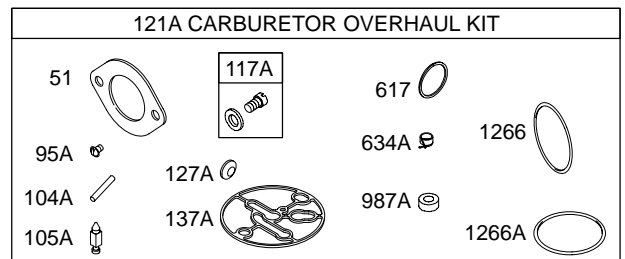
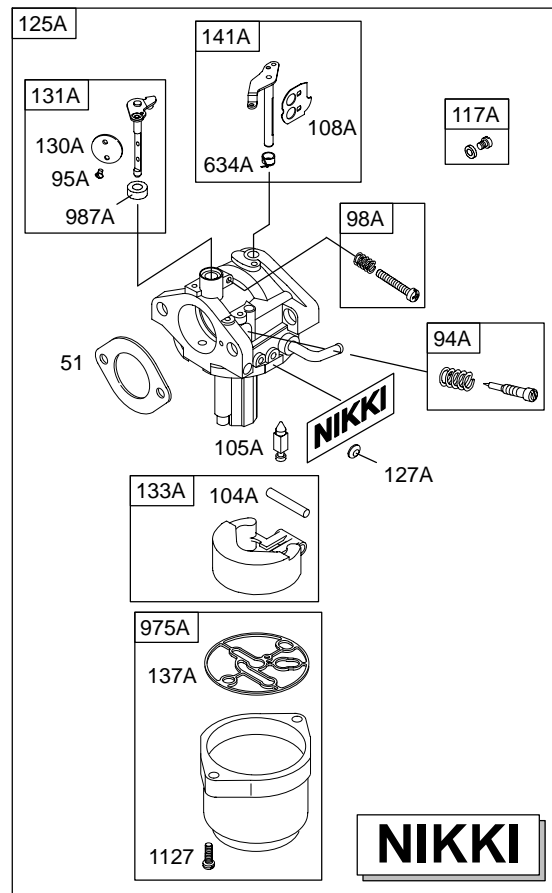
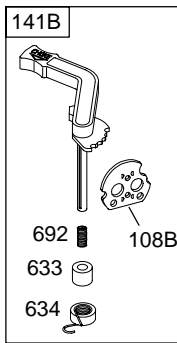
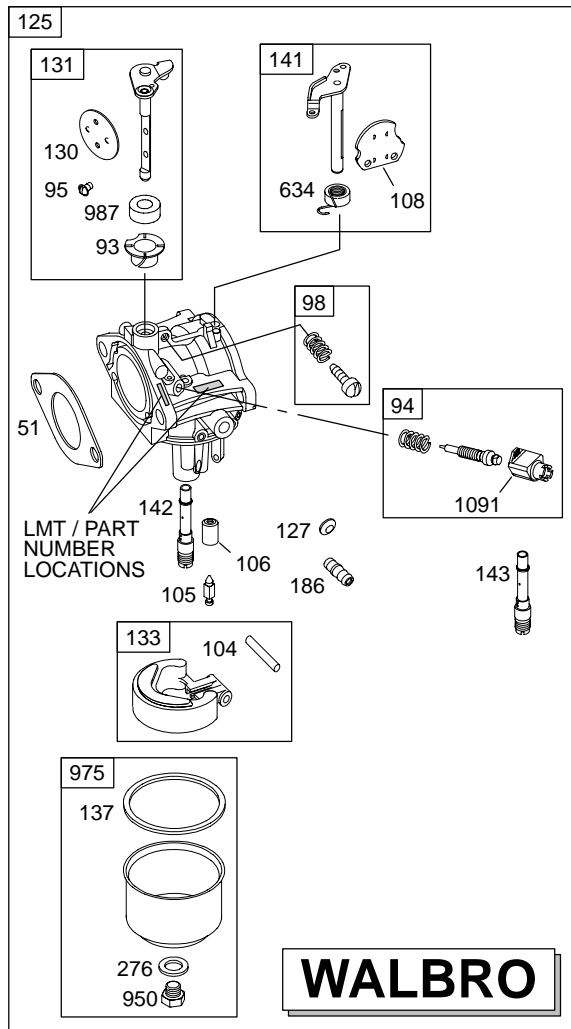


5496-3 *Illustrations cover a range of engines. Parts shown without corresponding text may not be used on your specific engine.* Assemblies include all parts shown in frames. 5/2003

210800

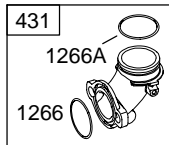
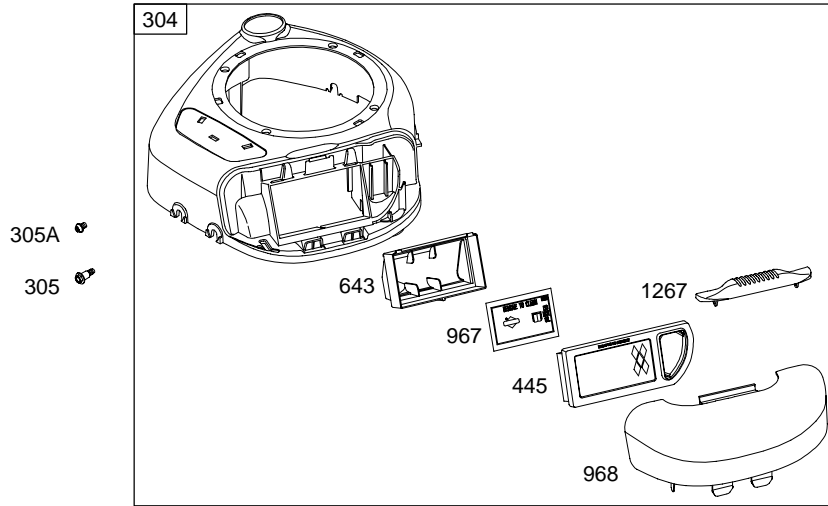
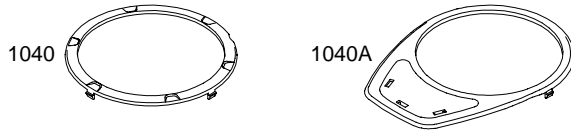


Illustrations cover a range of engines. Parts shown without corresponding text may not be used on your specific engine.
 5496-4 Assemblies include all parts shown in frames. 5/2003

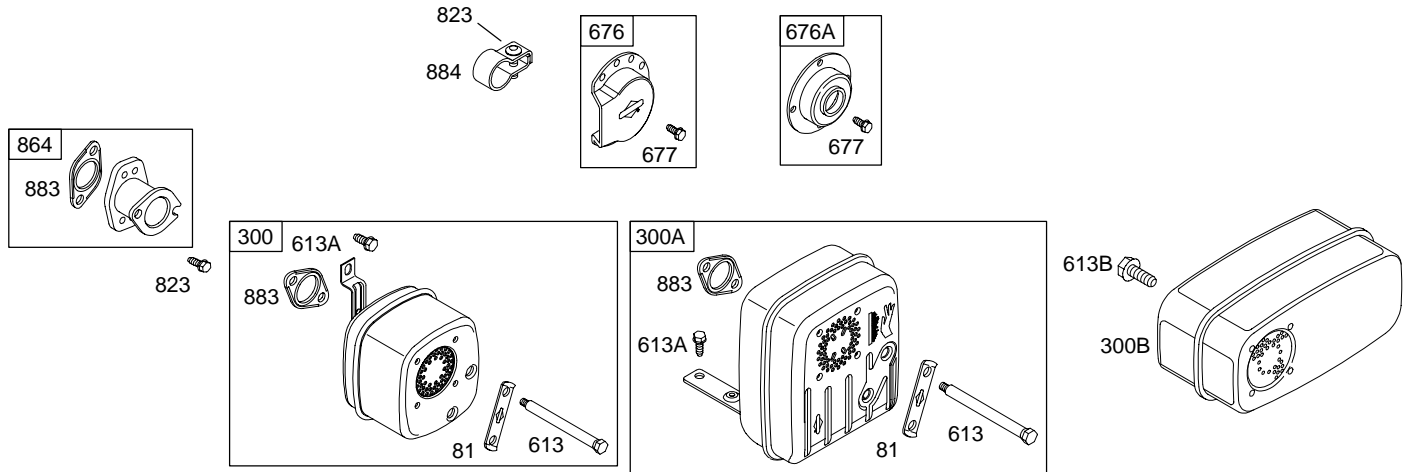


Illustrations cover a range of engines. Parts shown without corresponding text may not be used on your specific engine.
 5496-5 Assemblies include all parts shown in frames. 5/2003

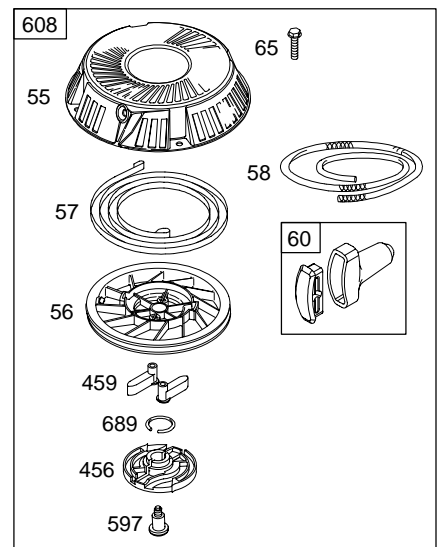
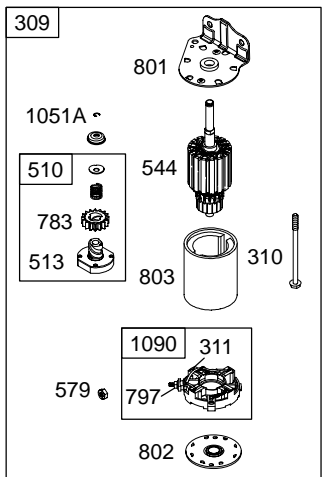
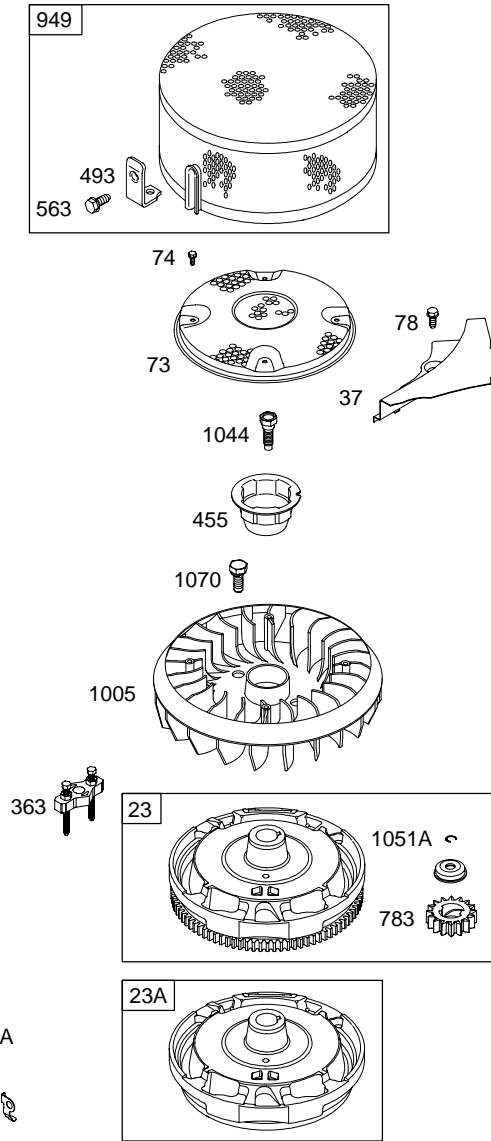
210800



1036 EMISSION LABEL



Illustrations cover a range of engines. Parts shown without corresponding text may not be used on your specific engine.
 5496-6 Assemblies include all parts shown in frames. 5/2003

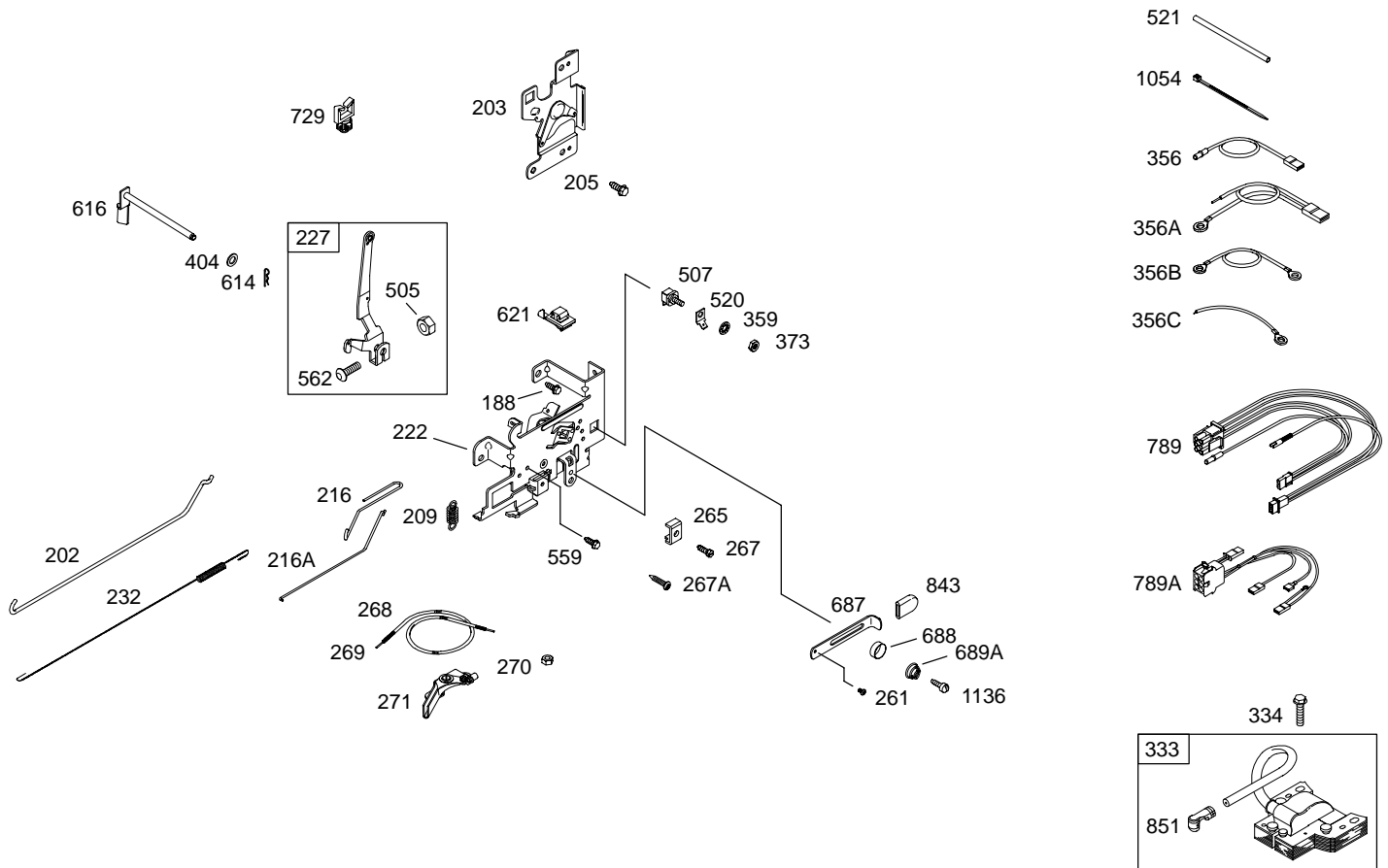


Illustrations cover a range of engines. Parts shown without corresponding text may not be used on your specific engine.
 5496-7 Assemblies include all parts shown in frames. 5/2003

210800

AC ONLY	DC ONLY	DUAL CIRCUIT	TRI CIRCUIT	5 – 9 AMP	10 – 16 AMP	20 AMP
474	474A	474B	474C	474C	474D	474E
578	578	878	878A	578	578	578
<p>NOTE: All stators use a No. 1119 mounting screw. </p> <p>NOTE: The proper flywheel part number and/or the alternator magnet size will determine the alternator type or output. See repair instruction manual for additional information.</p>				526A 501A	526 501	526B 501B

729B



Illustrations cover a range of engines. Parts shown without corresponding text may not be used on your specific engine.
 5496-8 Assemblies include all parts shown in frames. 5/2003

210800

REF. NO.	PART NO.	DESCRIPTION	REF. NO.	PART NO.	DESCRIPTION	REF. NO.	PART NO.	DESCRIPTION
1	697377	Cylinder Assembly	25	698767	Piston Assembly (Standard)	32	692852	Screw (Connecting Rod)
2	399265	Kit-Bushing/Seal (Magneto Side)			Note	33	495856	Valve-Exhaust
3	★391086	Seal-Oil (Magneto Side)			698768	34	495857	Valve-Intake
4	697106	Sump-Engine			Assembly (.010" Oversize)	35	691279	Spring-Valve (Intake)
5	697396	Head-Cylinder			698769	36	691279	Spring-Valve (Exhaust)
7	∅★273280	Gasket -Cylinder Head			Assembly (.020" Oversize)	37	697352	Guard-Flywheel
9	★697109	Gasket-Breather			698770	40	691752	Retainer-Valve
10	697157	Screw (Breather Assembly)			Assembly (.030" Oversize)	43	691968	Slinger-Governor/Oil
11	697113	Tube-Breather	26	698375	Ring Set (Standard)	45	690564	Tappet-Valve
12	★697110	Gasket-Crankcase (.015 Thick)(Standard)			Note	46	699016	Camshaft (Used After Code Date 03011400.
13	690360	Screw (Cylinder Head)			698376			Note
15	690946	Plug-Oil Drain (3/8" Standard)			Ring Set (.010" Oversize)			697745
16	698382	Crankshaft			698377			Camshaft (Used Before Code Date 03011500.
20	★690947	Seal-Oil (PTO Side)			698378			Date 03011500.
22	692125	Screw (Crankcase Cover/ Sump)	27	698469	Lock-Piston Pin (Pink)			50
23	698281	Flywheel			(Used After Code Date 02100300.			697361
24	222698	Key-Flywheel			Note			Manifold-Intake
					698138			51
					Lock-Piston Pin (Green)			∅★692137
					(Used Before Code Date 02100400.			Gasket-Intake
			28	697099	Pin-Piston			53
			29	697364	Rod-Connecting (Standard)			690227
					Note			Stud (Carburetor)
					697262			54
					Rod-Connecting (.020" Undersize)			691148
								Screw (Intake Manifold)
								55
								695130
								Housing-Rewind Starter
								56
								695129
								Pulley-Starter
								57
								695131
								Spring-Rewind Starter
								58
								695132
								Rope-Starter
								60
								494212
								Grip-Starter Rope
								65
								695453
								Screw (Rewind Starter)
								78
								691003
								Screw (Flywheel Guard)

★ Included in Engine Gasket Set-Ref. No. 358.

● Included in Carburetor Overhaul Kit-Ref. No. 121.

■ Included in Carburetor Gasket Set-Ref. No. 977.

∅ Included in Valve Gasket Set-Ref. No. 1095.

Illustrations cover a range of engines. Parts shown without corresponding text may not be used on your specific engine.

210800

REF. NO.	PART NO.	DESCRIPTION	REF. NO.	PART NO.	DESCRIPTION	REF. NO.	PART NO.	DESCRIPTION
81	691178	Lock-Muffler Screw	187B	698417	Line-Fuel (Molded)	305	697102	Screw (Blower Housing)
93	●690602	Bushing-Throttle Shaft			Used on Type No(s). 0110.	305A	697103	Screw (Blower Housing)
94	498030	Kit-Idle Mixture	188	691693	Screw (Control Bracket)	306	697359	Shield-Cylinder
95	●691636	Screw (Throttle Valve)	192	691986	Adjuster-Rocker Arm	307	691003	Screw (Cylinder Shield)
98	495800	Kit-Idle Speed	202	691841	Link-Mechanical Governor	309	693551	Motor-Starter (Used on Type No(s). 0110.)
104	●690525	Pin-Float Hinge	209	690480	Spring-Governor (Red)	310	690323	Bolt (Starter Motor)
105	●231855	Valve-Float Needle			Used on Type No(s). 0110.	311	497608	Brush Set
106	●691780	Seat-Inlet (Used on Type No(s). 0110.)	216	691840	Link-Choke	333	495859	Armature-Magneto
108	691227	Valve-Choke	222	694042	Bracket-Control	334	691061	Screw (Magneto Armature)
121	697535	Kit-Carburetor Overhaul	227	691374	Lever-Governor Control	337	491055	Plug-Spark
125	697618	Carburetor (Walbro) (Used on Type No(s). 0110.)	232	691842	Spring-Governor Link	356	697397	Wire-Stop (1 Wire, 20" Long)
127	●694524	Plug-Welch	238	691843	Cap-Valve			(Snap Connect Insulated Female Blade Terminal, And Snap Connect Insulated Pin Socket)
130	690468	Valve-Throttle	240	394358	Filter-Fuel (75 Microns)(White)			(Used on Type No(s). 0110.)
131	697542	Kit-Throttle Shaft	265	691024	Clamp-Casing	358	697151	Gasket Set-Engine
133	494381	Float-Carburetor	267	690804	Screw (Casing Clamp)	363	19203	Flywheel Puller
137	●◆281165	Gasket-Float Bowl	276	◆692255	Washer-Sealing	383	89838	Wrench-Spark Plug
141	699027	Kit-Choke Shaft (Walbro)	300	697048	Muffler (Lo Tone)	385	694476	Screw (Fuel Pump)
142	●697491	Nozzle-Carburetor (Standard)			Used on Type No(s). 0110.	387	697090	Fuel Pump (Used on Type No(s). 0110.)
143	697492	Nozzle-Carburetor (High Altitude)	304	697427	Housing-Blower (Red)			
146	691639	Key-Timing			Used on Type No(s). 0110.			
186	698174	Connector-Hose (Straight)						
187	697098	Line-Fuel (Molded) (Used on Type No(s). 0110.)						

★ Included in Engine Gasket Set-Ref. No. 358.

● Included in Carburetor Overhaul Kit-Ref. No. 121.

■ Included in Carburetor Gasket Set-Ref. No. 977.

⊘ Included in Valve Gasket Set-Ref. No. 1095.

Illustrations cover a range of engines. Parts shown without corresponding text may not be used on your specific engine.

REF. NO.	PART NO.	DESCRIPTION	REF. NO.	PART NO.	DESCRIPTION	REF. NO.	PART NO.	DESCRIPTION
404	691691	Washer (Governor Crank)	601	95162	Clamp-Hose (Zinc Plate) (Spring Wire)	741	697128	Gear-Timing
431	697122	Elbow-Intake				783	693713	Gear-Pinion
445	698413	Filter-Air Cleaner Cartridge	608	695058	Starter-Rewind Used on Type No(s). 0110.	797	693167	Nut (Brush Retainer)
455	695113	Cup-Flywheel				801	691283	Cap-Drive
456	695128	Plate-Pawl Friction	613	691416	Screw (Muffler)	802	691286	Cap-End
459	281505	Pawl-Ratchet	613A	691678	Screw (Muffler)	803	693757	Housing-Starter
474B	691063	Alternator (Dual Circuit) Used on Type No(s). 0110.	614	691620	Pin-Cotter	823	690363	Screw (Muffler Adapter)
			616	692012	Crank-Governor	830	691095	Stud-Rocker Arm
505	691251	Nut (Governor Control Lever)	617	★692138	Seal-O Ring (Intake Manifold)	842	★691031	Seal-O Ring (Dipstick Tube)
510	693699	Drive-Starter	634	●690802	Spring/Seal Assembly	847	697087	Dipstick/Tube Assembly (Used On Engines With Fuel Pump)
513	692024	Clutch-Drive	635	691909	Boot-Spark Plug			Used on Type No(s). 0110.
523	697086	Dipstick	643	697155	Retainer-Air Filter	851	692424	Terminal-Spark Plug
524	★691032	Seal-Dipstick Tube	654	690958	Nut (Carburetor)	864	697346	Adapter-Muffler Used on Type No(s). 0110.
525	697085	Tube-Dipstick (Used On Engines With Fuel Pump) Used on Type No(s). 0110.	676	393761	Deflector-Muffler (Side Out) Used on Type No(s). 0110.	868	∅★690968	Seal-Valve
544	692034	Armature-Starter	677	690661	Screw (Muffler Deflector)	877	393456	Wire/Connector- Alternator (Dual Circuit)
552	697144	Bushing-Governor Crank	689	691855	Spring-Friction			
562	691119	Bolt (Governor Control Lever)	691	★692407	Seal-Governor Shaft	878	691237	Harness-Alternator (2 Wires, 48-1/2", And 48-1/2" Long) (Snap Connect Female Pin Terminal, And 2 Bare Wire Ends)
579	691029	Nut (Starter Cable)	697	690372	Screw (Drive Cap)			
584	697112	Cover-Breather Passage	718	690959	Pin-Locating	883	★692236	Gasket-Exhaust
597	691696	Screw (Pawl Friction Plate)	729	691335	Clip-Wire (Wire Retainer)			
			729A	691224	Clip-Wire (Starter Motor)			

★ Included in Engine Gasket Set-Ref. No. 358.

● Included in Carburetor Overhaul Kit-Ref. No. 121.

■ Included in Carburetor Gasket Set-Ref. No. 977.

∅ Included in Valve Gasket Set-Ref. No. 1095.

Illustrations cover a range of engines. Parts shown without corresponding text may not be used on your specific engine.

210800

REF. NO.	PART NO.	DESCRIPTION	REF. NO.	PART NO.	DESCRIPTION	REF. NO.	PART NO.	DESCRIPTION
914	690960	Screw (Rocker Cover)	1005	699044	Fan-Flywheel (Used After Code Date 03031600.	1054	280275	Tie-Cable
918	697091	Hose-Vacuum (Molded) Used on Type No(s). 0110.			Note _____ 699044 Fan-Flywheel (Used Before Code Date 03031700.	1058	275038	Owner's Manual
950	691657	Screw (Float Bowl)	1019	699196	Kit-Label	1070	691058	Screw (Flywheel Fan)
967	697292	Filter-Pre Cleaner	1022	272475	Gasket-Rocker Cover	1090	691293	Retainer-Brush
968	697420	Cover-Air Cleaner (Black) Used on Type No(s). 0110.	1023	692492	Cover-Rocker	1091	691333	Cap-Limiter
975	495933	Bowl-Float	1026	697395	Rod-Push (Exhaust)	1095	691581	Gasket Set-Valve
977	690192	Gasket Set-Carburetor (Walbro)			Note _____ 697394 Rod-Push (Intake)	1119	691183	Screw (Alternator)
987	691326	Seal-Throttle Shaft	1029	691751	Arm-Rocker	1263	697124	Reed-Breather
			1034	690822	Guide-Push Rod	1264	697104	Screw (Breather Reed)
			1036	697221	Label-Emission	1266	691917	Seal-O Ring (Intake Elbow)
			1044	698139	Screw (Flywheel)	1266A	697123	Seal-O Ring (Intake Elbow)
			1051	698802	Ring-Retaining	1267	697419	Latch-Blower Housing (Black) Used on Type No(s). 0110.
			1051A	691265	Ring-Retaining			

★ Included in Engine Gasket Set-Ref. No. 358.

● Included in Carburetor Overhaul Kit-Ref. No. 121.

■ Included in Carburetor Gasket Set-Ref. No. 977.

⊘ Included in Valve Gasket Set-Ref. No. 1095.

Illustrations cover a range of engines. Parts shown without corresponding text may not be used on your specific engine.

5496-12

Assemblies include all parts shown in frames.

5/2003