



473100

Illustrated Parts List

Model Series

473100

TYPE NUMBERS
0100 And 0114.

TABLE OF CONTENTS

| | |
|--|----|
| Air Cleaner | 6 |
| Alternator | 8 |
| Camshaft | 2 |
| Carburetor | 5 |
| Controls | 8 |
| Crankcase Cover | 4 |
| Crankshaft | 2 |
| Cylinder | 2 |
| Cylinder Head | 3 |
| Electric Starter | 8 |
| Exhaust System | 6 |
| Flywheel | 7 |
| Governor Springs | 8 |
| Intake Manifold | 4 |
| Kit/Gasket Set - Carburetor | 5 |
| Kit/Gasket Set - Valve | 3 |
| Kit/Gasket Set - Engine | 2 |
| Pistons | 2 |
| Radiator Fan | 9 |
| Radiator | 10 |
| Valves | 3 |

PRINTED IN U.S.A.

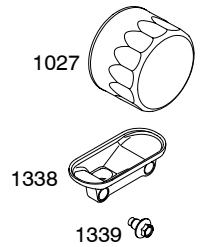
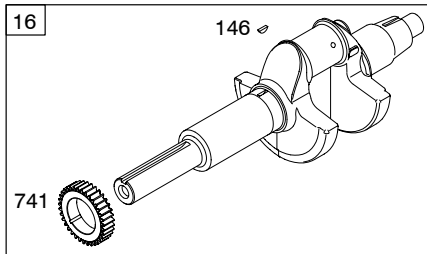
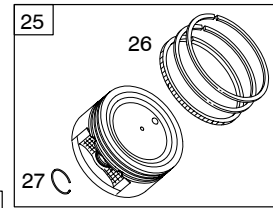
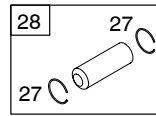
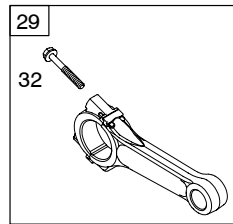
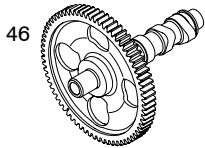
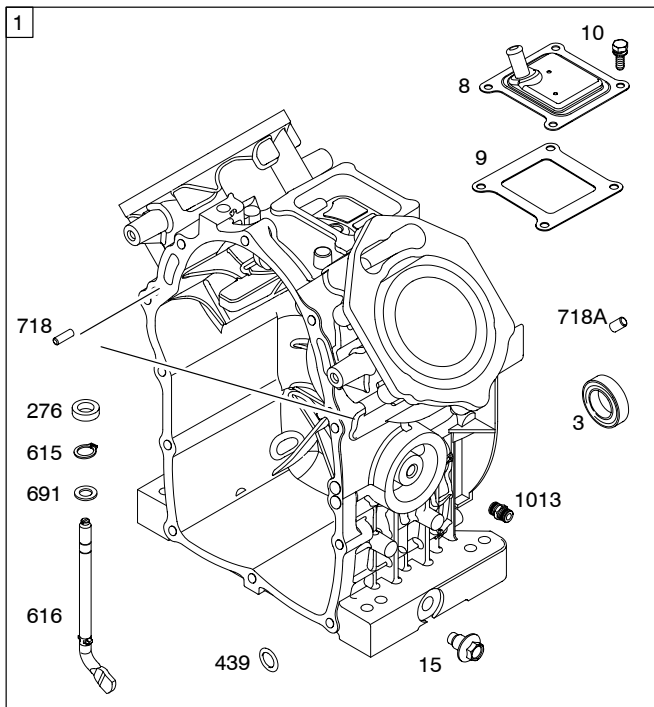


COPYRIGHT by BRIGGS & STRATTON CORPORATION
All rights reserved. No part of this material may be reproduced or transmitted, in any form or by any means, electronic or mechanical, including photocopying, recording or by any information storage and retrieval system, without permission in writing from Briggs & Stratton Corporation.

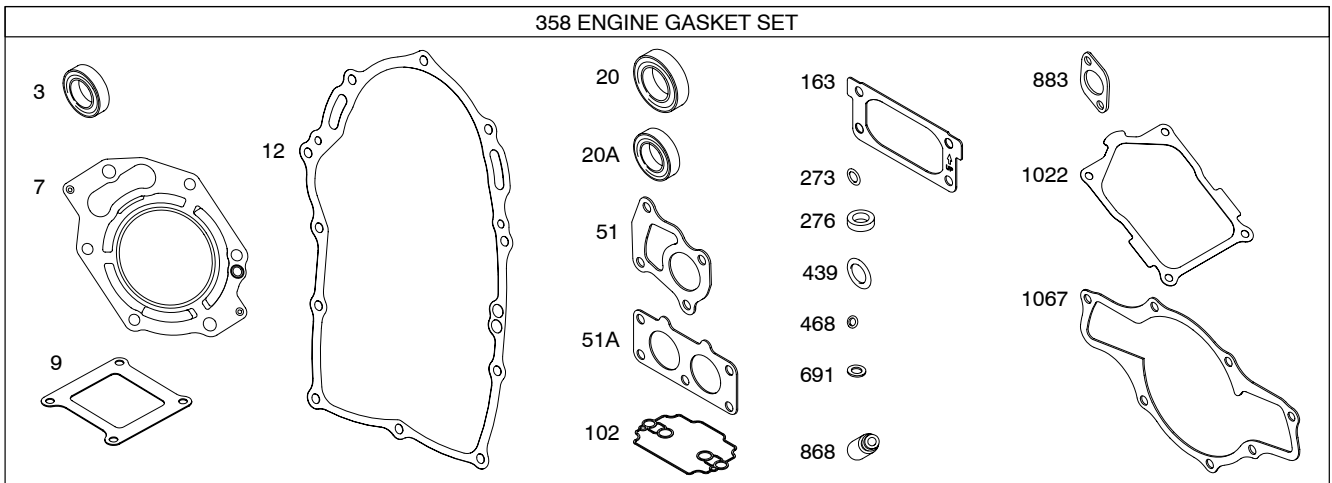
473100

1058 OPERATOR'S MANUAL

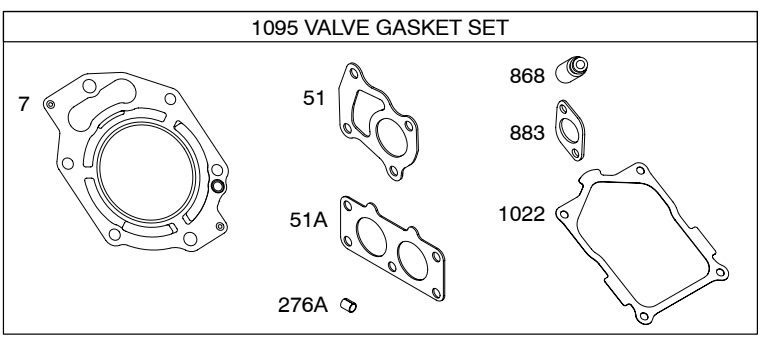
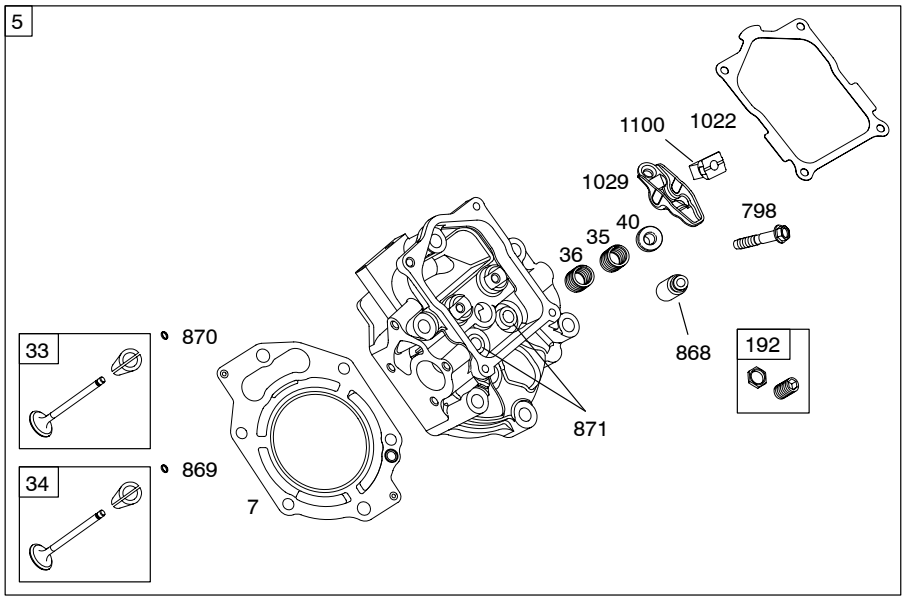
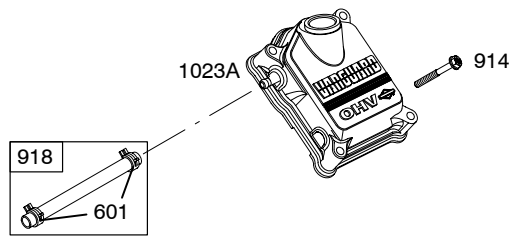
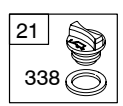
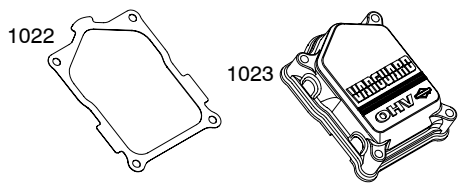
1036 EMISSION LABEL



358 ENGINE GASKET SET

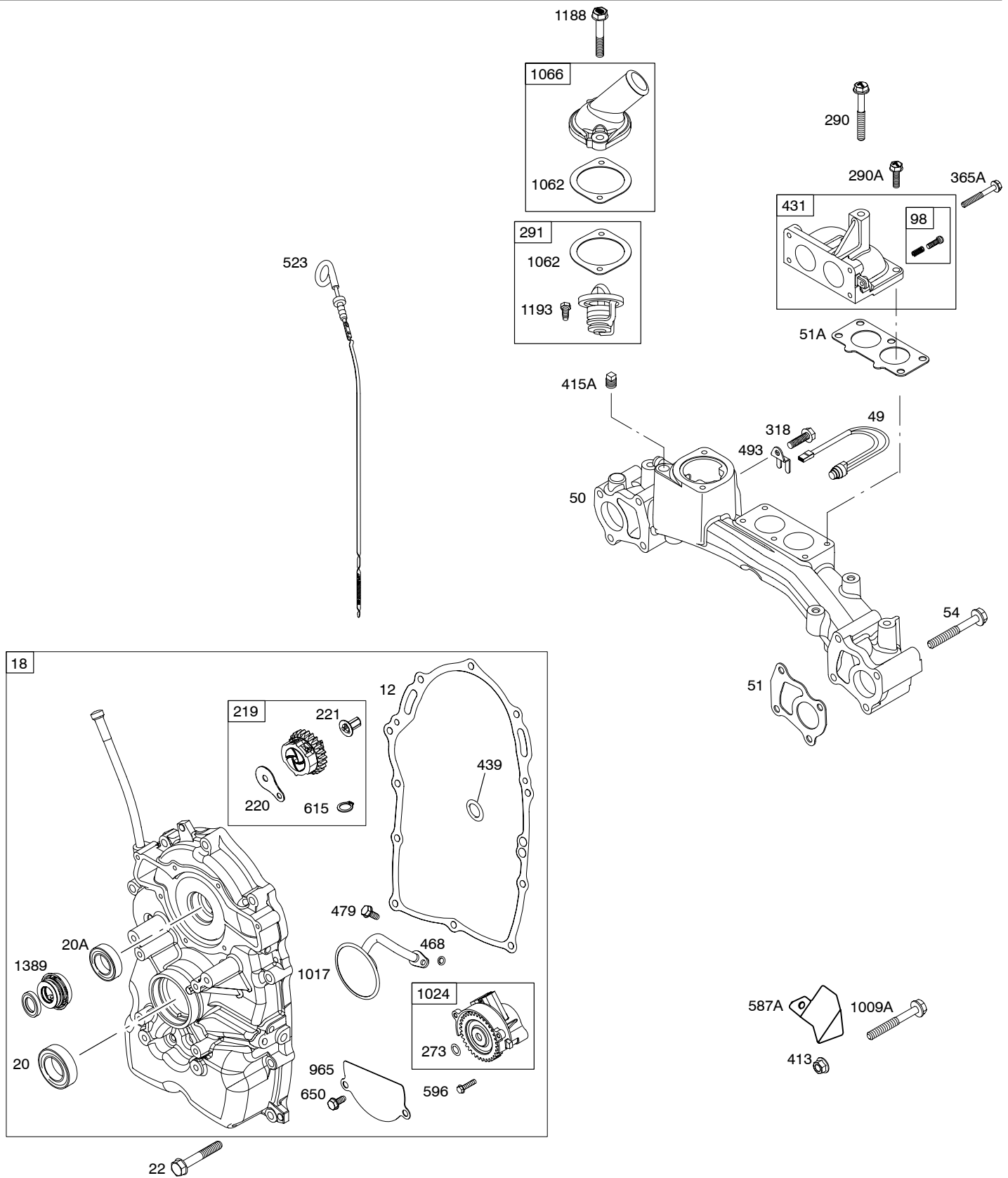


Illustrations cover a range of engines. Parts shown without corresponding text may not be used on your specific engine.
 5734-2 Assemblies include all parts shown in frames. 09/21/2005

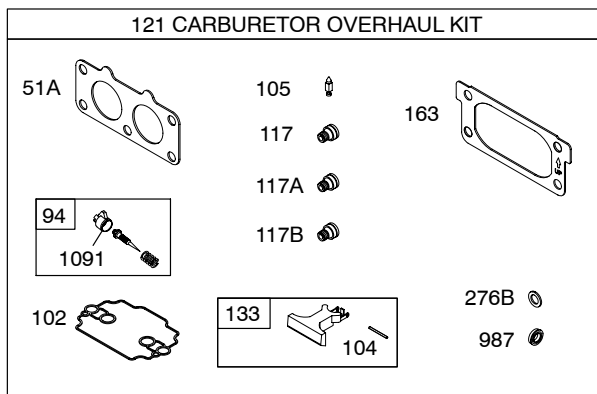
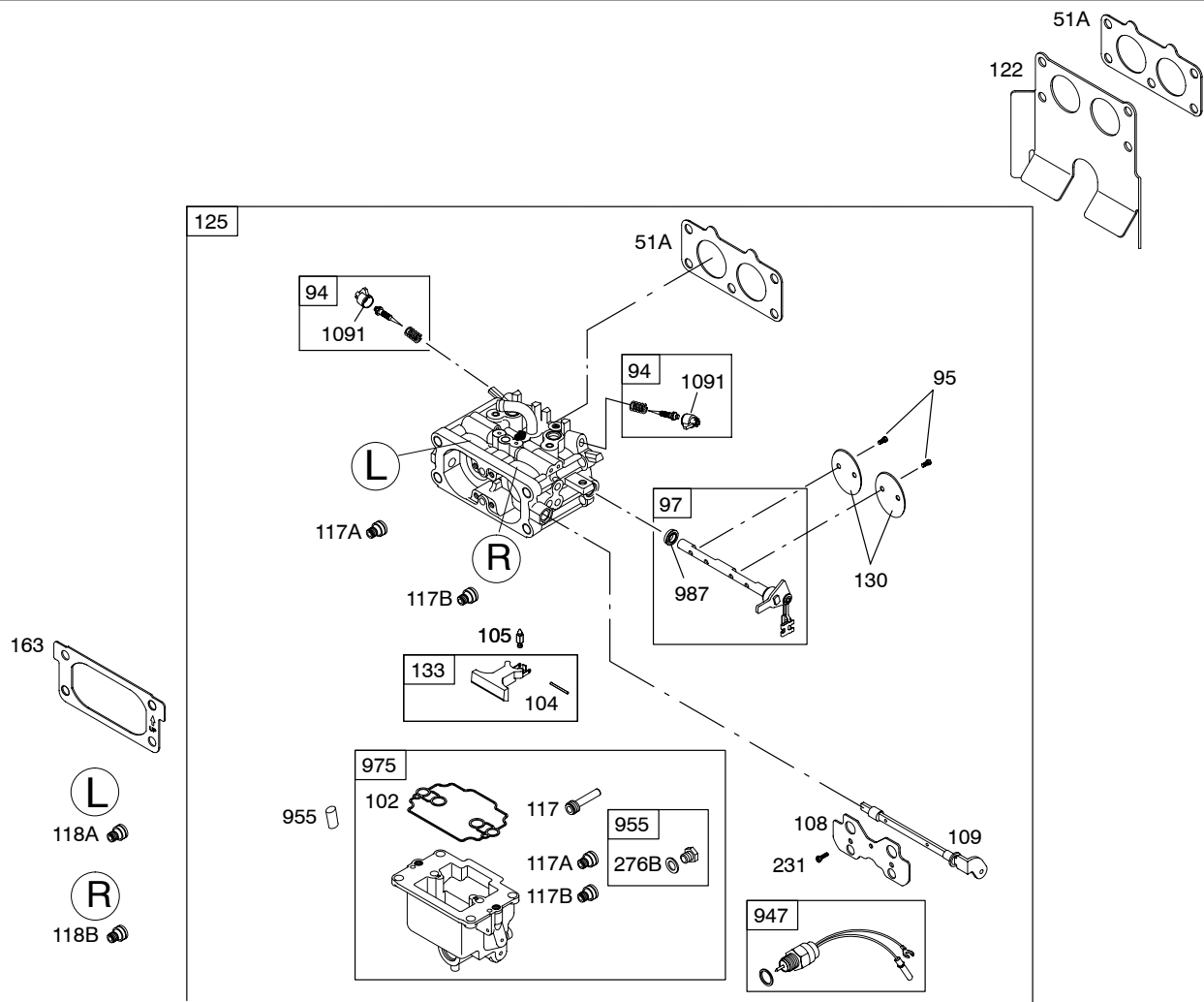


Illustrations cover a range of engines. Parts shown without corresponding text may not be used on your specific engine.
5734-3 Assemblies include all parts shown in frames. **09/21/2005**

473100

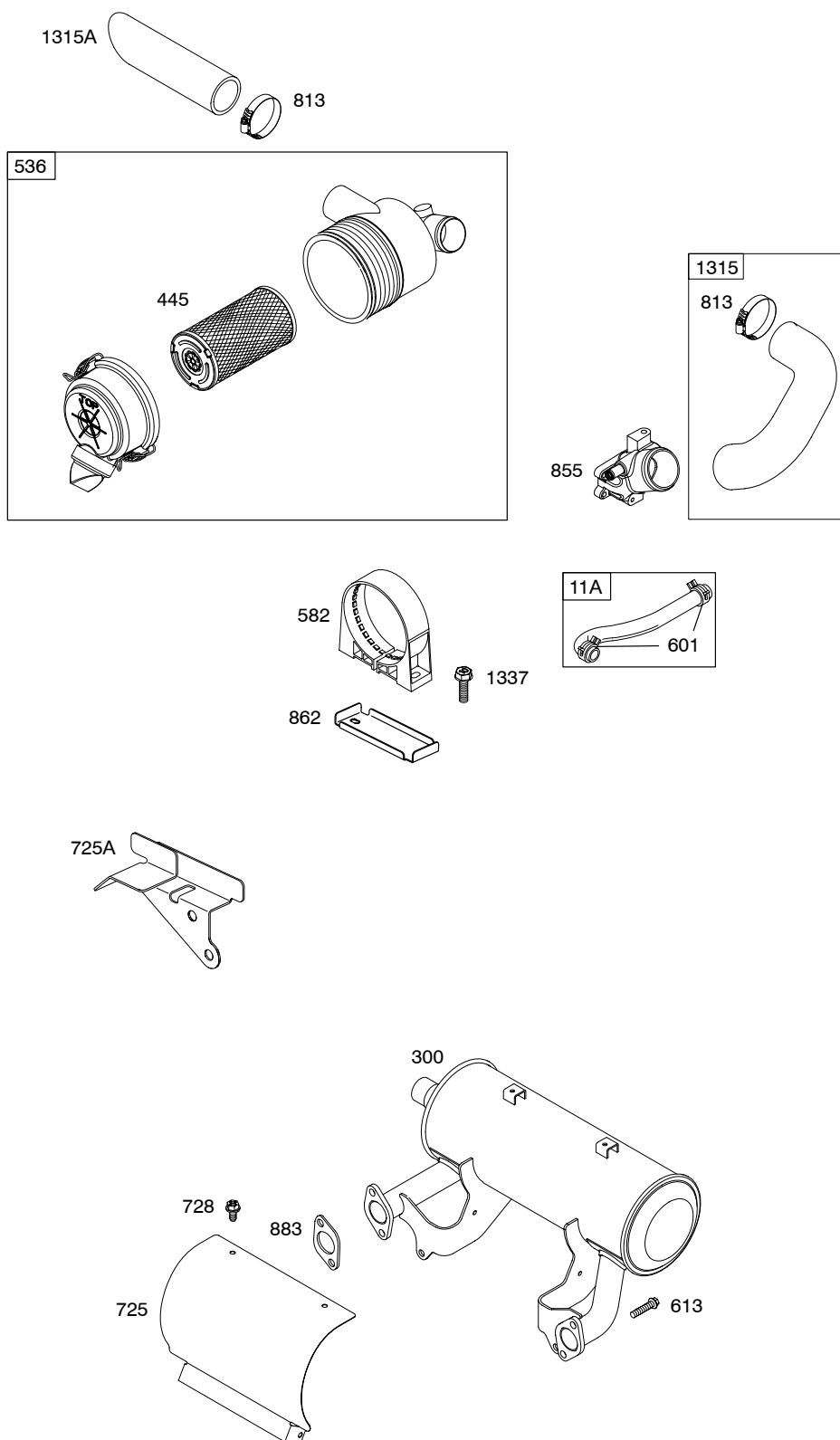


Illustrations cover a range of engines. Parts shown without corresponding text may not be used on your specific engine.
5734-4 Assemblies include all parts shown in frames. **09/21/2005**

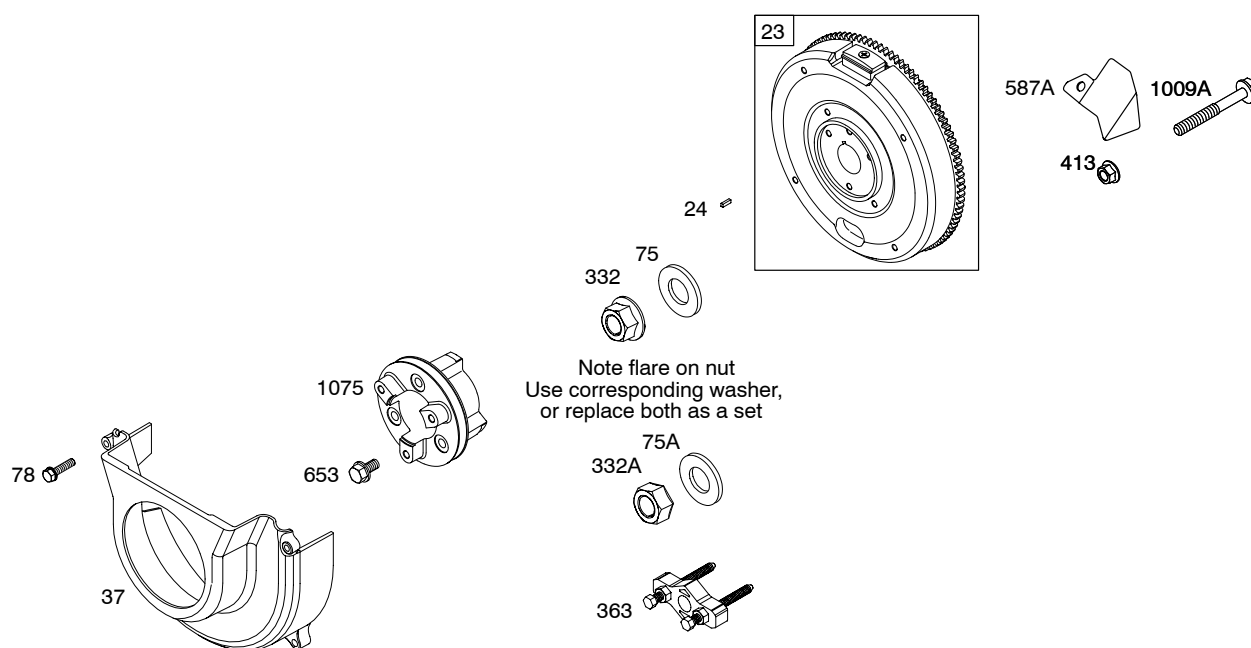


Illustrations cover a range of engines. Parts shown without corresponding text may not be used on your specific engine.
5734-5 Assemblies include all parts shown in frames. **09/21/2005**

473100




Illustrations cover a range of engines. Parts shown without corresponding text may not be used on your specific engine.
5734-6 Assemblies include all parts shown in frames. 09/21/2005

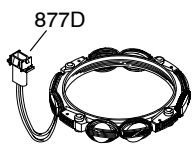
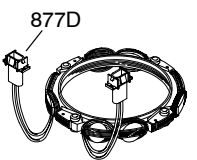
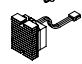



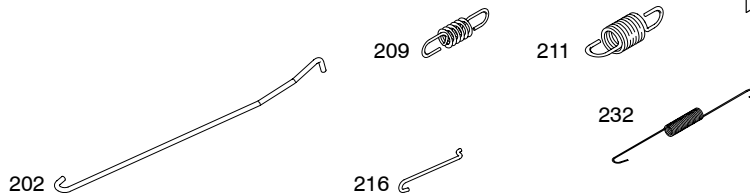
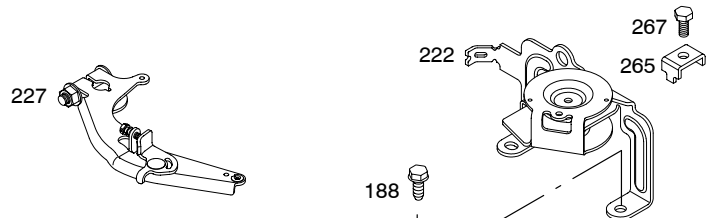
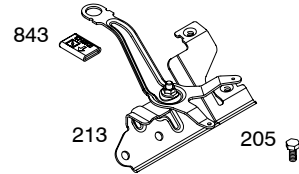
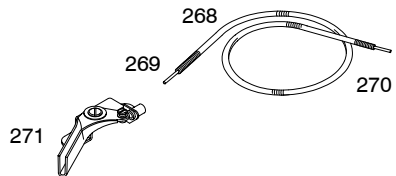
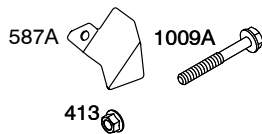
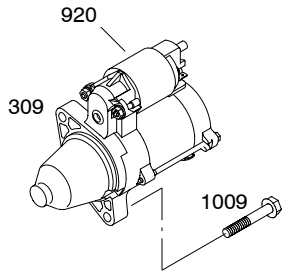
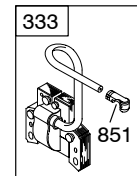
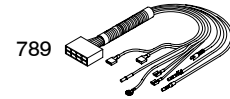
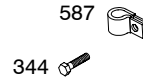
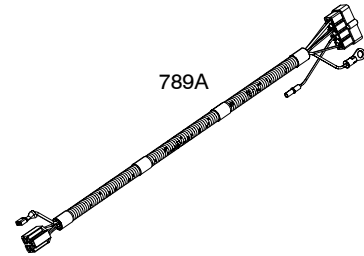
Illustrations cover a range of engines. Parts shown without corresponding text may not be used on your specific engine.
5734-7 Assemblies include all parts shown in frames. 09/21/2005

473100

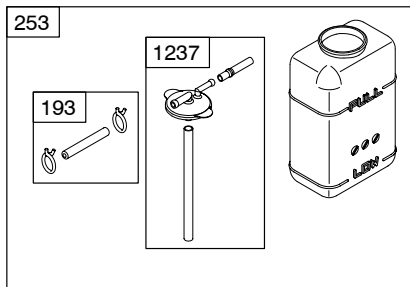
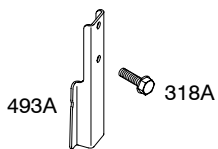
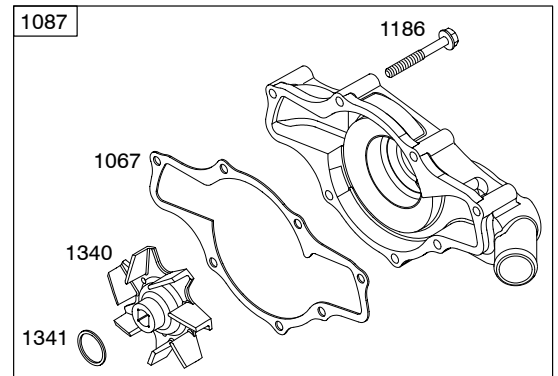
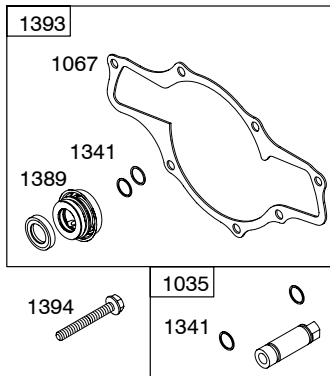
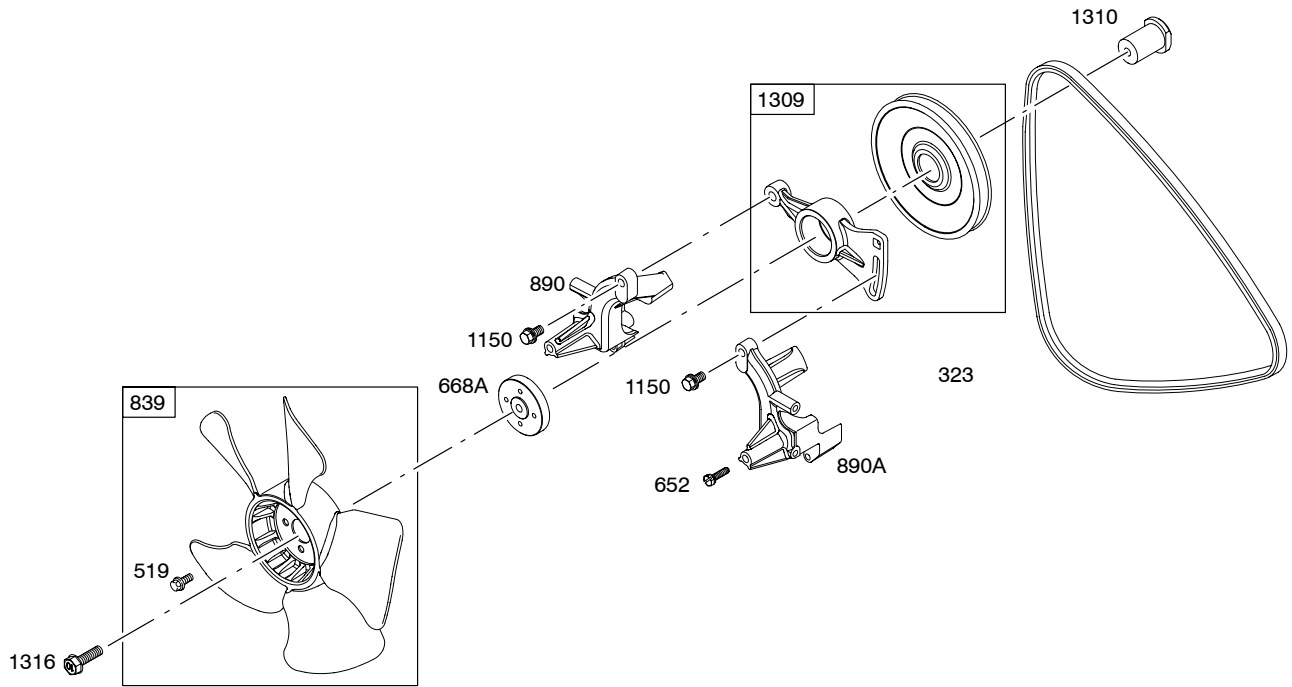
NOTE: All stators use a No. 1119 mounting screw. 

NOTE: The proper flywheel part number and/or the alternator magnet size will determine the alternator type or output. See repair instruction manual for additional information.

| 20 AMP | 20/50 AMP |
|--|--|
| 474E | 474G |
|  |  |
| 526B 501B  | 526B 501D  |

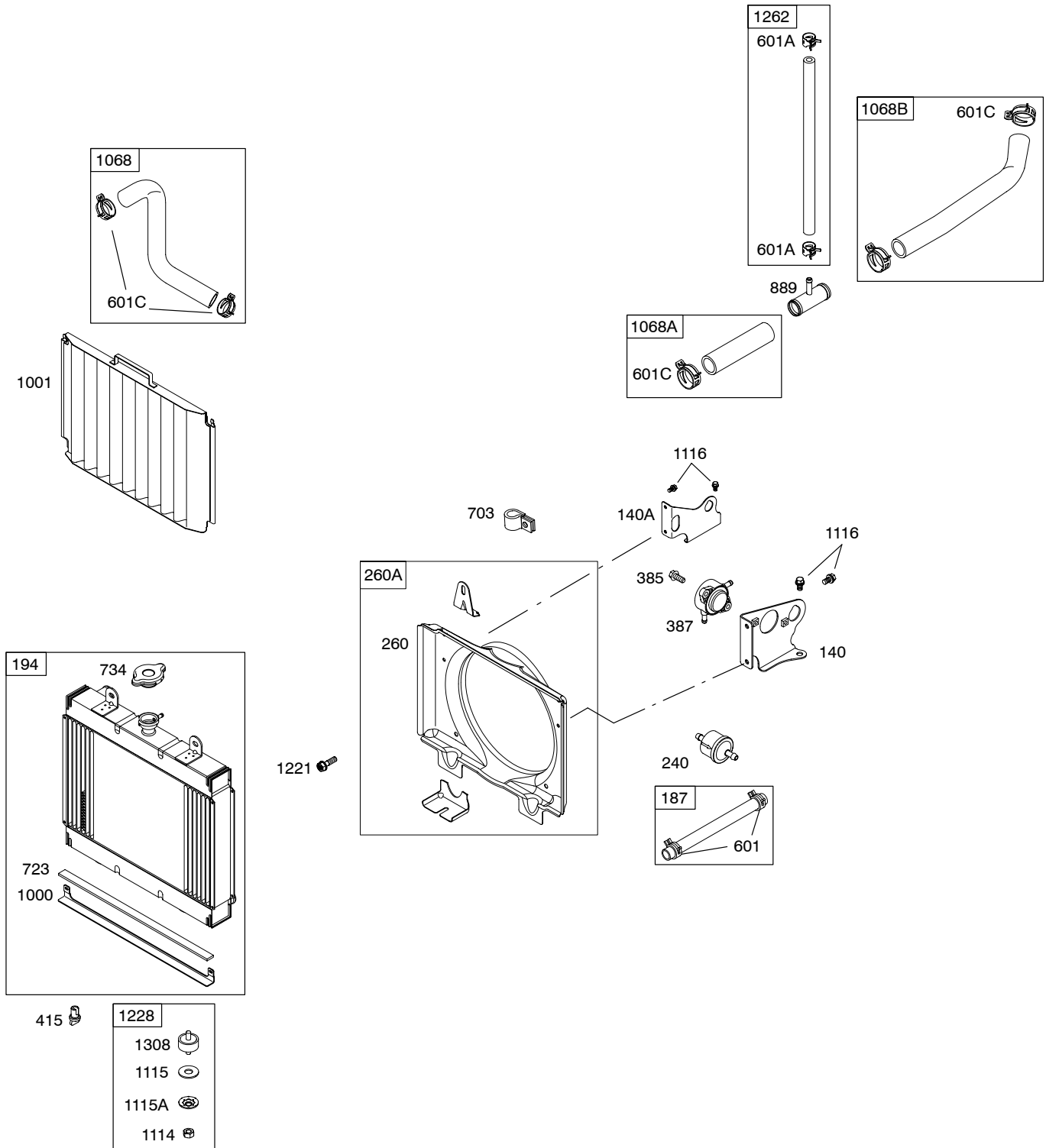


Illustrations cover a range of engines. Parts shown without corresponding text may not be used on your specific engine.
 5734-8 Assemblies include all parts shown in frames. 09/21/2005



Illustrations cover a range of engines. Parts shown without corresponding text may not be used on your specific engine.
5734-9 Assemblies include all parts shown in frames. **09/21/2005**

473100



Illustrations cover a range of engines. Parts shown without corresponding text may not be used on your specific engine.
 5734-10 Assemblies include all parts shown in frames. 09/21/2005

473100

| REF. NO. | PART NO. | DESCRIPTION | REF. NO. | PART NO. | DESCRIPTION | REF. NO. | PART NO. | DESCRIPTION |
|----------|----------|--|----------|----------|--|----------|----------|--|
| 1 | 842270 | Cylinder Assembly (Used After Code Date 04063000) ----- Note ----- 809285 Cylinder Assembly (Used Before Code Date 04070100) 841553 Cylinder Assembly Used on Type No(s). 0113. | 16 | 841280 | Crankshaft (Used After Code Date 04063000) ----- Note ----- 809501 Crankshaft (Used Before Code Date 04070100) 841296 Crankshaft Used on Type No(s). 0113, 0114. | 24 | 222698 | Key-Flywheel |
| 3 | ★809510 | Seal-Oil (Magneto Side) | 18 | 809539 | Cover-Crankcase | 25 | 809561 | Piston Assembly (Standard) ----- Note ----- 809563 Piston Assembly (.020" Oversize) |
| 5 | 809276 | Head-Cylinder (Cylinder 1) ----- Note ----- 809277 Head-Cylinder (Cylinder 2) | 20 | ★841596 | Seal-Oil (PTO Side) | 26 | 809557 | Ring Set (Standard) ----- Note ----- 809559 Ring Set (.020" Oversize) |
| 7 | ★△807341 | Gasket-Cylinder Head (Metal) | 20A | ★809510 | Seal-Oil (PTO Side) | 27 | 807351 | Lock-Piston Pin |
| 8 | 809286 | Breather Assembly | 21 | 809500 | Cap-Oil Fill | 28 | 807361 | Pin-Piston (Standard) |
| 9 | ★841505 | Gasket-Breather | 22 | 807362 | Screw (Crankcase Cover/Sump) ----- Note ----- 692539 Screw (Crankcase Cover/Sump) | 29 | 809275 | Rod-Connecting (Standard) |
| 10 | 692539 | Screw (Breather Assembly) | 23 | 841294 | Flywheel (Steel Ring Gear) (Used After Code Date 04063000) ----- Note ----- 809280 Flywheel (Steel Ring Gear) (Used Before Code Date 04070100) 841295 Flywheel (Steel Ring Gear) Used on Type No(s). 0113. | 32 | 807363 | Screw (Connecting Rod) |
| 11 | 807331 | Tube-Breather | | | | 33 | 809376 | Valve-Exhaust |
| 11A | 809322 | Tube-Breather (Shut Off Valve To Carburetor) (Fuel Pump To Carburetor) (Fuel Filter To Fuel Pump) (Cut To Required Length) | | | | 34 | 809375 | Valve-Intake |
| 12 | ★807325 | Gasket-Crankcase | | | | 35 | 809374 | Spring-Valve (Intake) |
| 13 | 807371 | Screw (Cylinder Head) ----- Note ----- 807372 Screw (Cylinder Head) | | | | 36 | 809374 | Spring-Valve (Exhaust) |
| 15 | 807392 | Plug-Oil Drain | | | | 37 | 807332 | Guard-Flywheel |
| | | | | | | 40 | 807492 | Retainer-Valve |
| | | | | | | 45 | 809785 | Tappet-Valve |
| | | | | | | 46 | 842148 | Camshaft (Used After Code Date 04063000) ----- Note ----- 807337 Camshaft (Used Before Code Date 04070100) |
| | | | | | | 49 | 807426 | Sensor-Water Temperature |
| | | | | | | 50 | 807432 | Manifold-Intake |

★ Included in Engine Gasket Set-Ref. No.358.

● Included in Carburetor Overhaul Kit-Ref. No. 121.

◆ Included in Carburetor Gasket Set-Ref. No. 977.

△ Included in Valve Gasket Set-Ref. No 1095.

Illustrations cover a range of engines. Parts shown without corresponding text may not be used on your specific engine.

5734-11

Assemblies include all parts shown in frames.

09/21/2005

473100

| REF. NO. | PART NO. | DESCRIPTION | REF. NO. | PART NO. | DESCRIPTION | REF. NO. | PART NO. | DESCRIPTION |
|----------|----------|--|----------|----------|---|----------|----------|-----------------------------------|
| 51 | ★Δ807434 | Gasket-Intake | 133 | ●809637 | Float-Carburetor | 260 | 809414 | Shroud-Fan |
| 51A | ★Δ690950 | Gasket-Intake | 140 | 809401 | Bracket-Radiator | 260A | 841718 | Shroud-Fan |
| 54 | 806444 | Screw (Intake Manifold) (2 1/2" Long) | 140A | 809402 | Bracket-Radiator | 265 | 691024 | Clamp-Casing |
| | | ----- Note ----- | 146 | 691639 | Key-Timing | 267 | 692539 | Screw (Casing Clamp) |
| | | 807437 Screw (Intake Manifold) (3-3/4" Long) | 163 | ★807375 | Gasket-Air Cleaner | | | ----- Note ----- |
| | | | 187 | 691050 | Line-Fuel | | | 692083 Screw (Casing Clamp) |
| | | | 188 | 692539 | Screw (Control Bracket) | | | 268 691025 Casing-Control Wire |
| 75 | 691056 | Washer (Flywheel) | 192 | 807623 | Adjuster-Rocker Arm | 269 | 691026 | Wire-Control |
| 75A | 842548 | Washer (Flywheel) | 193 | 809518 | Hose-Reserve Tank | 270 | 691027 | Nut (Control Wire Casing) |
| 78 | 807421 | Screw (Flywheel Guard) | 194 | 809405 | Radiator | 271 | 691028 | Lever-Control |
| 94 | ●809648 | Kit-Idle Mixture | 202 | 807358 | Link-Mechanical Governor | 273 | ★690681 | Seal-O Ring (Oil Pump) |
| 95 | 690728 | Screw (Throttle Valve) | 205 | 692539 | Screw (Bell Crank) | 276 | ★809436 | Washer-Sealing |
| 97 | 809630 | Shaft-Throttle | 209 | 807328 | Spring-Governor | 276A | 807491 | Washer-Sealing |
| 98 | 841842 | Kit-Idle Speed | | | ----- Note ----- | 276B | 806476 | Washer-Sealing |
| 102 | ●★809645 | Gasket-Carburetor Body | | | 842315 Spring- Governor | 290 | 807436 | Screw (Intake Elbow) |
| 104 | ●690739 | Pin-Float Hinge | | | Used on Type No(s). 0100, 0112, 0114. | 290A | 807435 | Screw (Intake Elbow) |
| 105 | ●809759 | Valve-Float Needle | 211 | 807327 | Spring-Governed Idle | 291 | 841491 | Thermostat |
| 108 | 809643 | Valve-Choke | | | ----- Note ----- | 300 | 807451 | Muffler |
| 109 | 809802 | Shaft-Choke | | | 842316 Spring- Governed Idle | 309 | 807383 | Motor-Starter (DC) (10-16 AMP) |
| 117 | ●841098 | Jet-Main (Standard) (Slow) | | | Used on Type No(s). 0100, 0112, 0114. | 318 | 692539 | Screw (Mounting Bracket) |
| 117A | ●809635 | Jet-Main | 213 | 809660 | Bracket-Choke Control | 318A | 693169 | Screw (Mounting Bracket) |
| 117B | ●809634 | Jet-Main | 216 | 807342 | Link-Choke | 323 | 809365 | Belt-Vee |
| 118A | 809649 | Jet-Main (High Altitude) | 219 | 809426 | Gear-Governor | 332 | 807356 | Nut (Flywheel) |
| 118B | 809635 | Jet-Main (High Altitude) | 220 | 841608 | Washer (Governor Gear) | 332A | 842222 | Nut (Flywheel) |
| 121 | 809852 | Kit-Carburetor Overhaul | 221 | 841026 | Cup-Governor | 333 | 841279 | Armature-Magneto |
| 122 | 807433 | Spacer-Carburetor | 222 | 809273 | Bracket-Control | | | |
| 125 | 809647 | Carburetor | 227 | 809274 | Lever-Governor Control | | | |
| 130 | 809642 | Valve-Throttle | 231 | 690718 | Screw (Choke Valve) | | | |
| | | | 232 | 691538 | Spring-Governor Link | | | |
| | | | 239 | 841281 | Switch-Oil Pressure (Used After Code Date 03102800) | | | |
| | | | | | ----- Note ----- | | | |
| | | | | | 690233 Switch- Oil Pressure (Used Before Code Date 03102900) | | | |
| | | | 240 | 691035 | Filter-Fuel | | | |
| | | | 253 | 809411 | Tank-Reserve | | | |

★ Included in Engine Gasket Set-Ref. No.358.

● Included in Carburetor Overhaul Kit-Ref. No. 121.

◆ Included in Carburetor Gasket Set-Ref. No. 977.

Δ Included in Valve Gasket Set-Ref. No 1095.

Illustrations cover a range of engines. Parts shown without corresponding text may not be used on your specific engine.

473100

| REF. NO. | PART NO. | DESCRIPTION | REF. NO. | PART NO. | DESCRIPTION | REF. NO. | PART NO. | DESCRIPTION |
|----------|----------|---|----------|----------|--|----------|----------|--|
| 334 | 692066 | Screw (Magneto Armature) | 501B | 691573 | Regulator (20 Amp) | 668A | 807443 | Spacer |
| 337 | 692051 | Plug-Spark | 501D | 841170 | Regulator Used on Type No(s). 0113. | 691 | ★809287 | Seal-Governor Shaft |
| 338 | ★Δ691312 | Gasket-Dipstick | | | | 703 | 842245 | Clip |
| 344 | 692539 | Screw (Cable Clamp) | 519 | 807382 | Screw (Radiator Fan) | 718 | 690959 | Pin-Locating |
| 358 | 809857 | Gasket Set-Engine | 523 | 807450 | Dipstick (Standard) | 718A | 809508 | Pin-Locating |
| 363 | 19203 | Puller-Flywheel | 526B | 807385 | Screw (Regulator) (20 Amp) | 723 | 841563 | Seal-Foam |
| 365A | 807437 | Screw (Carburetor) | 536 | 825118 | Cleaner-Air | 725 | 807453 | Shield-Heat Used on Type No(s). 0112, 0114. |
| 383 | 19374 | Wrench-Spark Plug | 582 | 807381 | Clamp-Air Cleaner | 725A | 841282 | Shield-Heat |
| 385 | 693169 | Screw (Fuel Pump) | 587 | 807386 | Clamp-Cable | 728 | 692067 | Screw (Heat Shield) Used on Type No(s). 0112, 0114. |
| 387 | 807429 | Pump-Fuel Used on Type No(s). 0112. | 587A | 842066 | Clamp-Cable | | | ----- Note ----- |
| 413 | 842067 | Nut (Starter Motor) | 596 | 691492 | Screw (Oil Pump) | | | 692062 Screw (Heat Shield) |
| 415 | 809404 | Plug (Radiator Plug) | 601 | 691038 | Clamp-Hose (Fuel Pump) ----- Note ----- | 734 | 809403 | Cap-Radiator |
| 415A | 690283 | Plug (Intake Manifold) | 601A | 807422 | Clamp-Hose | 741 | 809432 | Gear-Timing |
| 431 | 807319 | Elbow-Intake | 601C | 807354 | Clamp-Hose | 789 | 807324 | Harness-Wiring |
| 439 | ★692154 | Seal-O Ring (Crankcase Cover/Sump) | 613 | 809743 | Screw (Muffler) ----- Note ----- | 789A | 809967 | Harness-Wiring |
| 445 | 820263 | Filter-Air Cleaner Cartridge | | | 692062 Screw (Muffler) Used on Type No(s). 0112. | 798 | 691492 | Screw (Rocker Arm) |
| 468 | ★690690 | Seal-O Ring (Oil Pump Screen) | 615 | 809533 | Retainer-Governor Shaft | 806 | 692062 | Screw (Lifting Bracket) |
| 474E | 696579 | Alternator (20 Amp) | 616 | 809433 | Crank-Governor | 813 | 807376 | Clamp ----- Note ----- |
| 474G | 841178 | Alternator (20-50 Amp) Used on Type No(s). 0113. | 635 | 692076 | Boot-Spark Plug | | | 807377 Clamp |
| 479 | 807084 | Screw (Oil Pump Screen) | 650 | 692539 | Screw (Oil Deflector) | 839 | 809321 | Fan-Radiator |
| 493 | 807427 | Bracket-Mounting (Water Temp Sensor) | 652 | 809529 | Screw (Support Bracket) | 843 | 809672 | Sleeve-Lever |
| 493A | 809400 | Bracket-Mounting (Radiator/Shroud) | 653 | 809528 | Screw (Crankshaft Pulley) ----- Note ----- | 851 | 493880 | Terminal-Spark Plug |
| | | | | | 809527 Screw (Crankshaft Pulley) | 855 | 807355 | Adapter-Air Cleaner |
| | | | | | | 862 | 841886 | Strap/Stud-Air Cleaner Mounting |
| | | | | | | 868 | ★Δ691963 | Seal-Valve |
| | | | | | | 869 | 807489 | Seat-Valve (Intake) |
| | | | | | | 870 | 807489 | Seat-Valve (Exhaust) |
| | | | | | | 871 | 692057 | Bushing-Valve Guide |
| | | | | | | 877D | 698092 | Wire/Connector- Alternator |

★ Included in Engine Gasket Set-Ref. No.358.

● Included in Carburetor Overhaul Kit-Ref. No. 121.

◆ Included in Carburetor Gasket Set-Ref. No. 977.

Δ Included in Valve Gasket Set-Ref. No 1095.

Illustrations cover a range of engines. Parts shown without corresponding text may not be used on your specific engine.

5734-13

Assemblies include all parts shown in frames.

09/21/2005

473100

| REF. NO. | PART NO. | DESCRIPTION | REF. NO. | PART NO. | DESCRIPTION | REF. NO. | PART NO. | DESCRIPTION |
|----------|----------|--|----------|----------|---|----------|----------|---------------------------|
| 883 | ★△807326 | Gasket-Exhaust (Manifold to Head) | 1029 | 807323 | Arm-Rocker | 1119 | 691552 | Screw (Alternator) |
| 889 | 807339 | Tee | 1035 | 842079 | Shaft-Pump | 1150 | 692539 | Screw (Adjusting Strap) |
| 890 | 807444 | Bracket-Support (Left Hand) | 1036 | | Label-Emissions (Available from an Authorized Briggs & Stratton Service Dealer) | 1186 | 807389 | Screw (Water Pump) |
| 890A | 807445 | Bracket-Support (Right Hand) | 1054 | 807340 | Tie-Cable | 1188 | 807437 | Screw (Inlet Housing) |
| 914 | 807357 | Screw (Rocker Cover) | | | ----- Note ----- | 1193 | 807421 | Screw (Thermostat) |
| 918 | 809323 | Hose-Vacuum | | | 280275 Tie-Cable Used on Type No(s). 0113. | 1221 | 692062 | Screw (Fan Shroud) |
| 920 | 825418 | Solenoid-Starter | 1058 | 275723 | Operator's Manual | 1228 | 809851 | Mount-Radiator |
| 947 | 809632 | Solenoid-Fuel | 1062 | 809397 | Gasket-Outlet Housing | 1237 | 841290 | Cap/Hose-Reserve |
| 955 | 809640 | Plug-Carburetor | 1066 | 841284 | Housing-Inlet | 1262 | 807423 | Line-Water |
| 965 | 809422 | Cover-Oil Pump | 1067 | ★807387 | Gasket-Water Pump | 1308 | 809407 | Isolator |
| 975 | 809650 | Bowl-Float | 1068 | 841286 | Hose/Clamp Assembly (Inlet) | 1309 | 807442 | Pulley-Fan |
| 987 | ●809639 | Seal-Throttle Shaft | 1068A | 809410 | Hose/Clamp Assembly | 1310 | 809366 | Shaft-Fan |
| 1000 | 809406 | Guard-Radiator | 1068B | 807425 | Hose/Clamp Assembly | 1315 | 807379 | Hose-Air Cleaner |
| 1001 | 809399 | Screen-Radiator | 1075 | 841293 | Pulley-Crankshaft | 1316 | 807382 | Screw (Fan Shaft) |
| 1009 | 690711 | Screw (Starter Motor) | 1077 | 807335 | Bracket-Lifting | 1337 | 807382 | Screw Air Cleaner Bracket |
| 1009A | 842065 | Screw (Starter Motor) | 1087 | 809282 | Pump-Water | 1338 | 809334 | Tray-Oil Drip |
| 1013 | 809505 | Nipple-Oil Filter | 1091 | △691515 | Cap-Limiter | 1339 | 807435 | Screw Oil Drip Tray |
| 1017 | 809421 | Screen-Oil Pump | 1095 | 809856 | Gasket Set-Valve | 1340 | 809283 | Impeller |
| 1022 | ★△807333 | Gasket-Rocker Cover | 1100 | 690973 | Pivot-Rocker Arm | 1341 | 841042 | Seal-O Ring (Impeller) |
| 1023 | 807334 | Cover-Rocker | 1114 | 691105 | Nut (Radiator Support) | 1389 | 809423 | Seal-Impeller |
| 1023A | 809521 | Cover-Rocker | 1115 | 809408 | Washer (Radiator Support) | 1393 | 842072 | Kit-Pump Overhaul |
| | | ----- Note ----- | 1115A | 809417 | Washer (Radiator Support) | 1394 | 807390 | Screw (Impeller) |
| | | 807359 Cover-Rocker Used on Type No(s). 0100, 0112, 0114. | 1116 | 841233 | Screw (Radiator Bracket) | | | |
| 1024 | 841291 | Pump-Oil | | | | | | |
| 1026 | 807336 | Rod-Push | | | | | | |
| 1027 | 492932 | Filter-Oil (2 1/4" Long) | | | | | | |

★ Included in Engine Gasket Set-Ref. No.358.

● Included in Carburetor Overhaul Kit-Ref. No. 121.

◆ Included in Carburetor Gasket Set-Ref. No. 977.

△ Included in Valve Gasket Set-Ref. No 1095.

Illustrations cover a range of engines. Parts shown without corresponding text may not be used on your specific engine.