

Illustrated Parts List

Model Series

445600

TYPE NUMBERS
 0110 through 0503.

TABLE OF CONTENTS

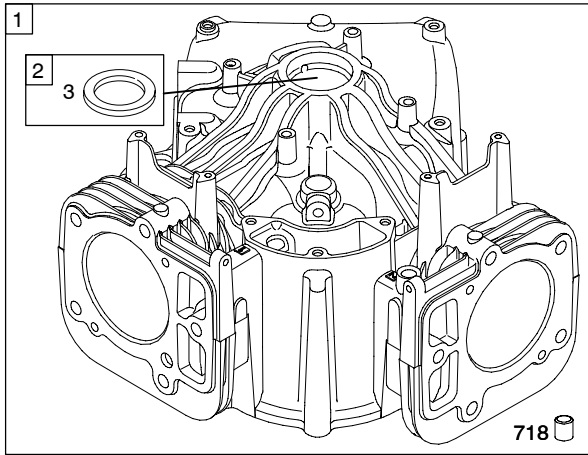
Air Cleaner	6
Alternators	8
Blower Housing/Shrouds	6
Camshaft	3
Carburetor	5
Controls	7
Crankcase Sump	2
Crankshaft	3
Cylinder	2
Cylinder Head	4
Electric Starter	7
Exhaust System	5
Flywheel	7
Ignition	8
Kit/Gasket Set - Carburetor	5
Kit/Gasket Set - Engine	2
Kit/Gasket Set - Valve	4
Lubrication	3
Piston, Rings, Connecting Rod	3
Valves	4



PRINTED IN U.S.A.

COPYRIGHT by BRIGGS & STRATTON CORPORATION
 All rights reserved. No part of this material may be reproduced or transmitted, in any form or by any means, electronic or mechanical, including photocopying, recording or by any information storage and retrieval system, without permission in writing from Briggs & Stratton Corporation.

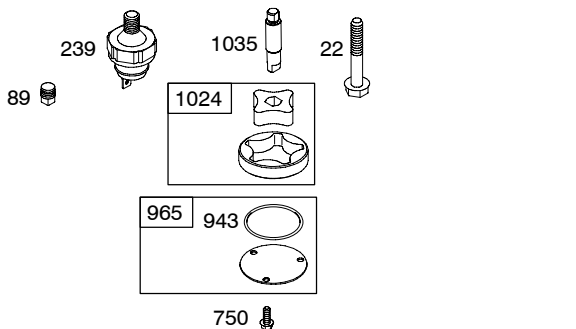
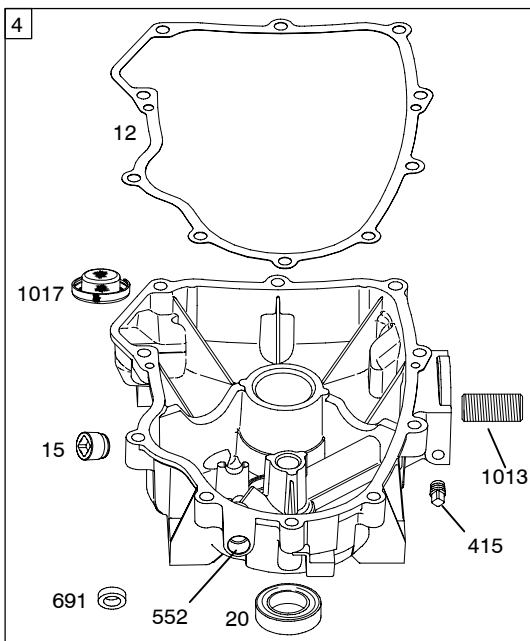
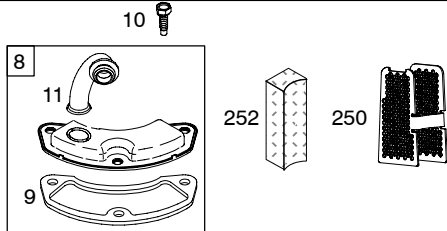
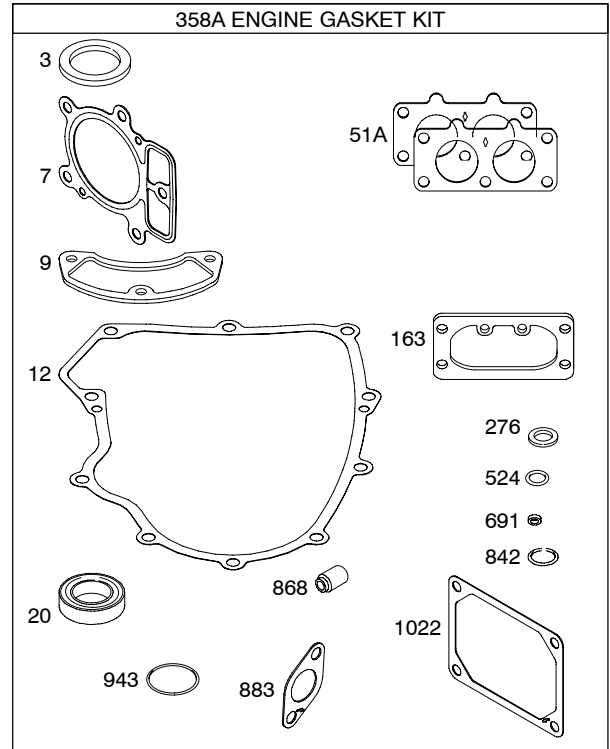
445600



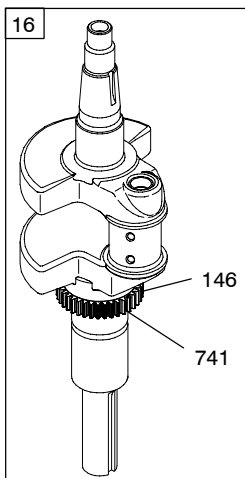
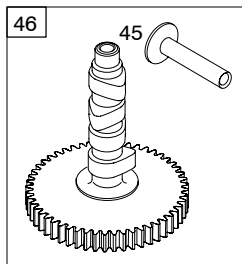
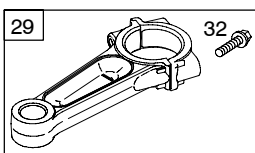
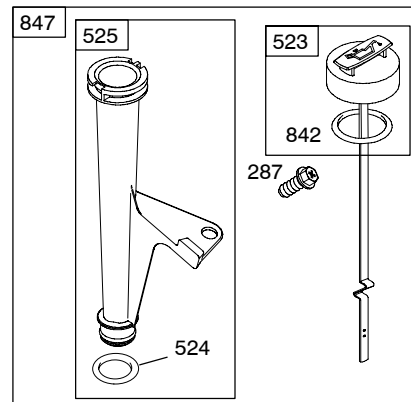
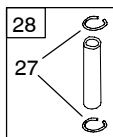
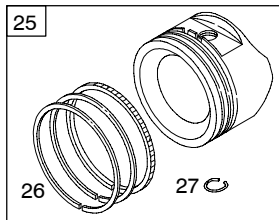
1019 LABEL KIT

1058 OPERATOR'S MANUAL

1330 REPAIR MANUAL

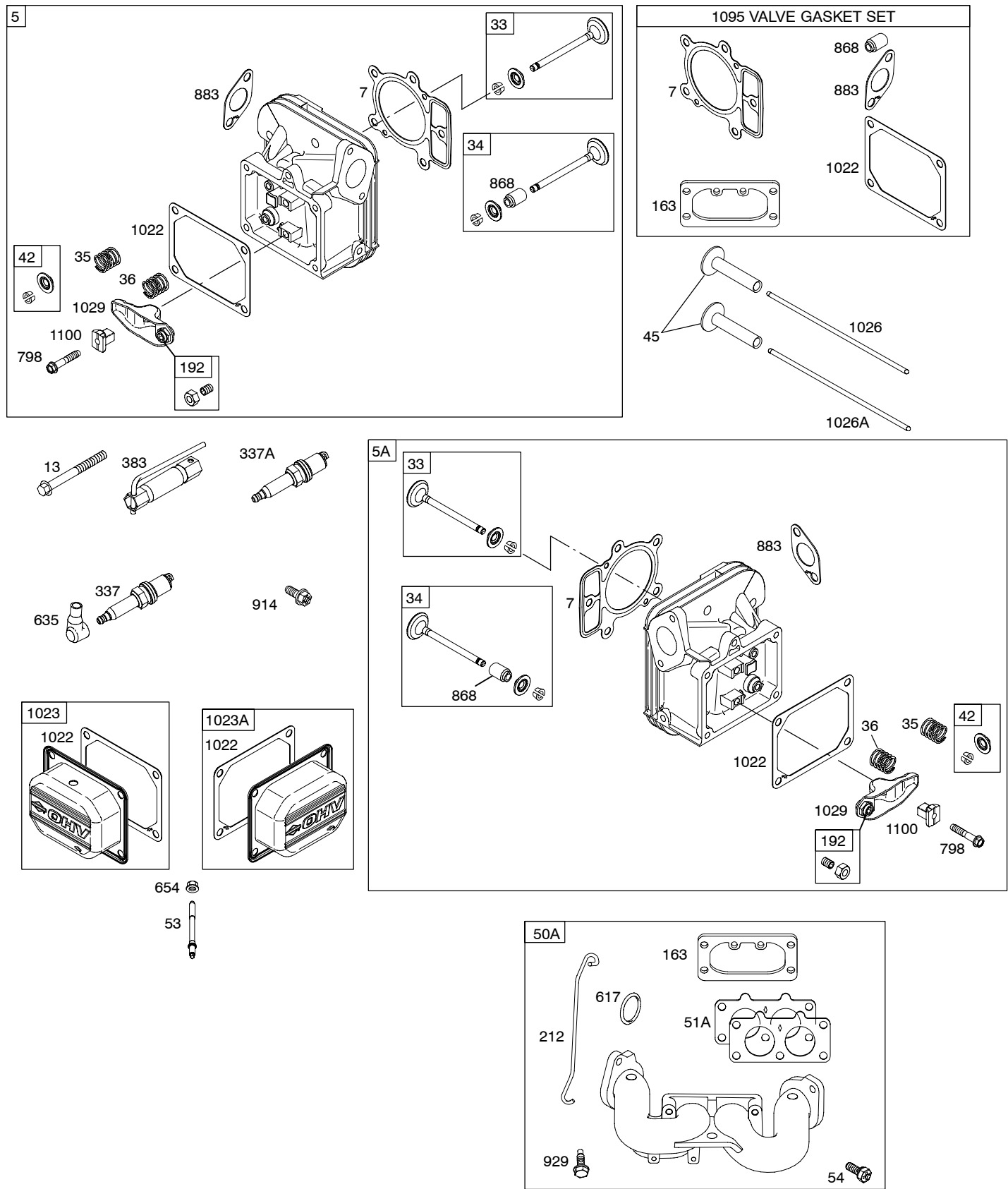


Illustrations cover a range of engines. Parts shown without corresponding text may not be used on your specific engine.
3346-2 Assemblies include all parts shown in frames. 08/16/2005



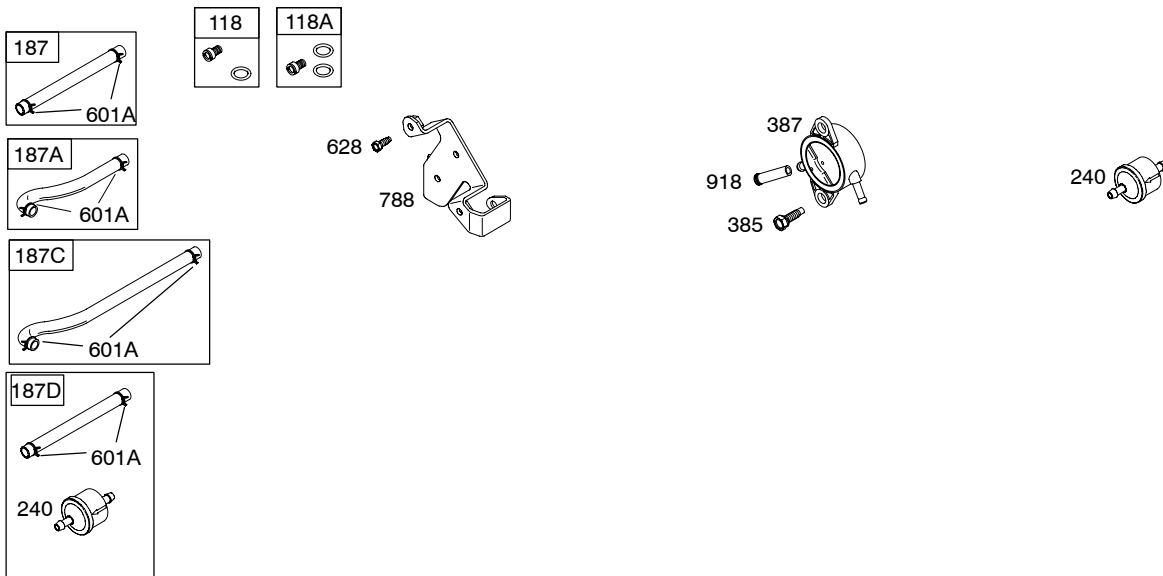
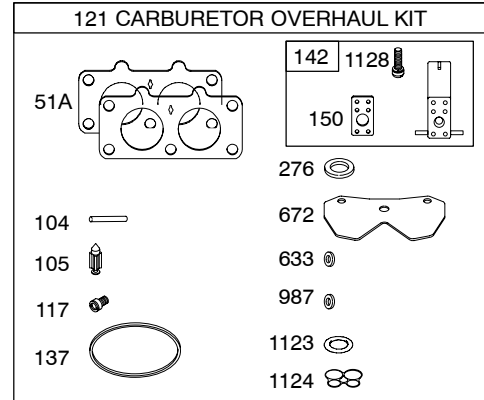
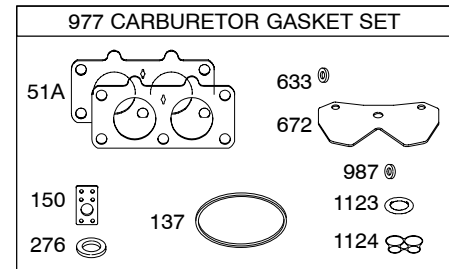
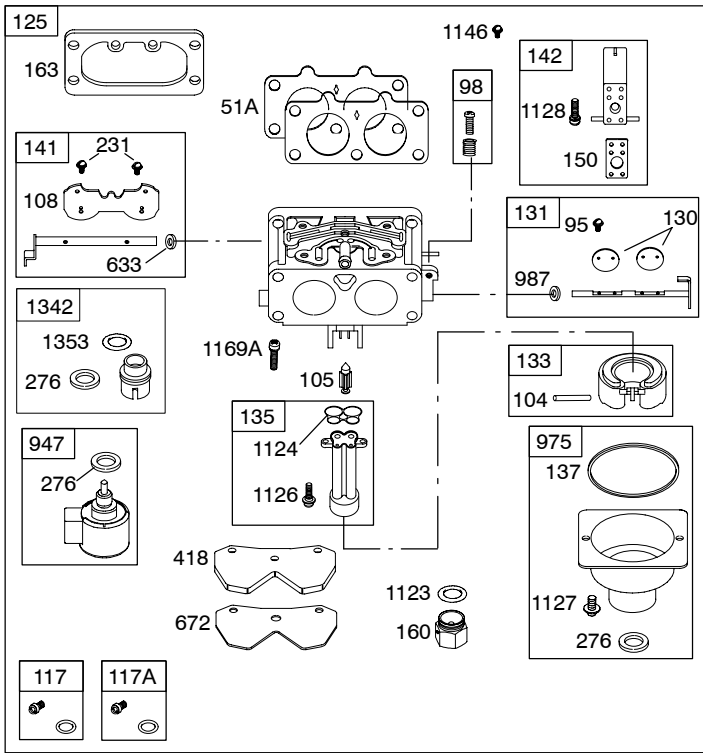
24 ↑

445600



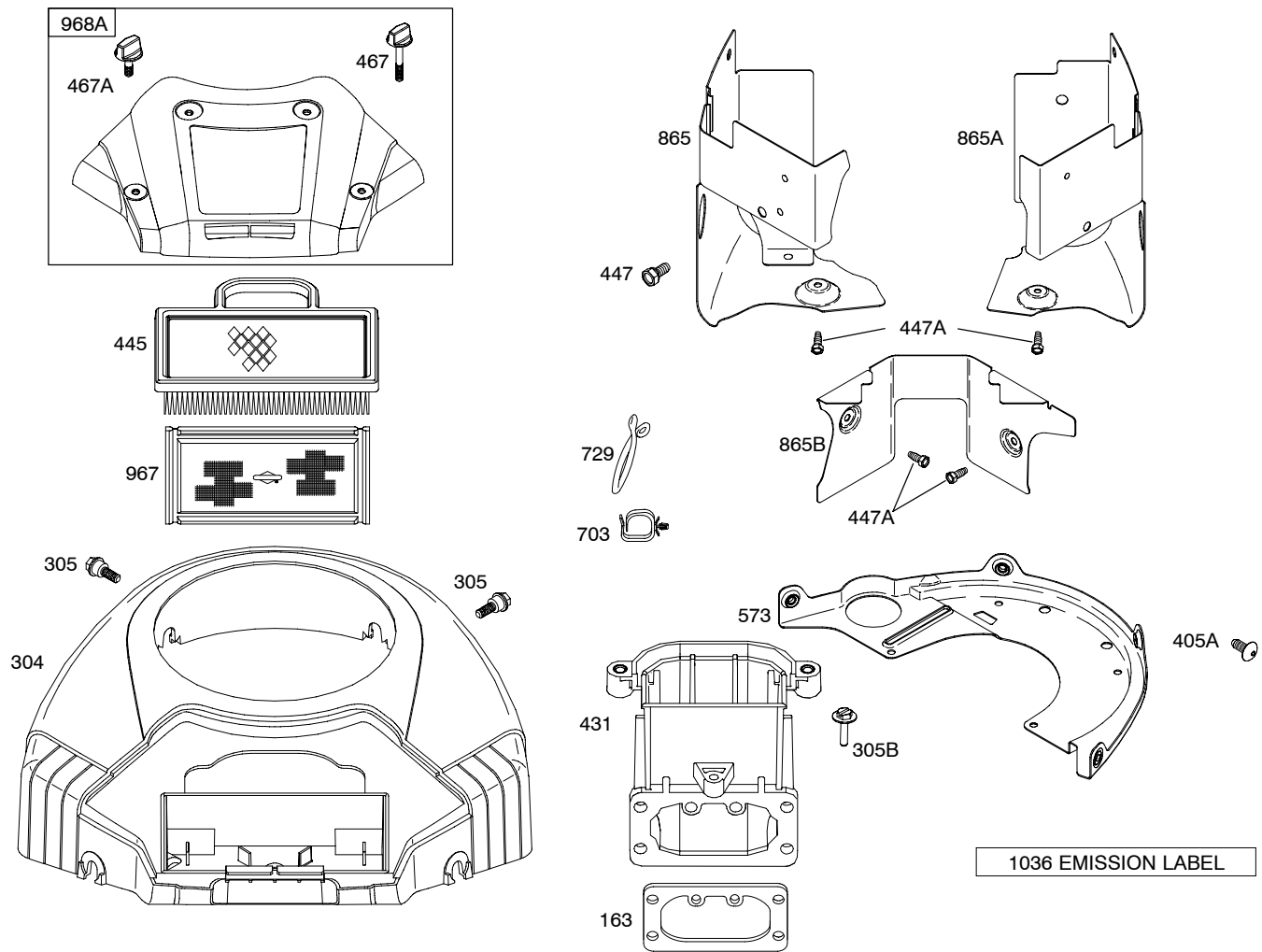
Illustrations cover a range of engines. Parts shown without corresponding text may not be used on your specific engine.

445600

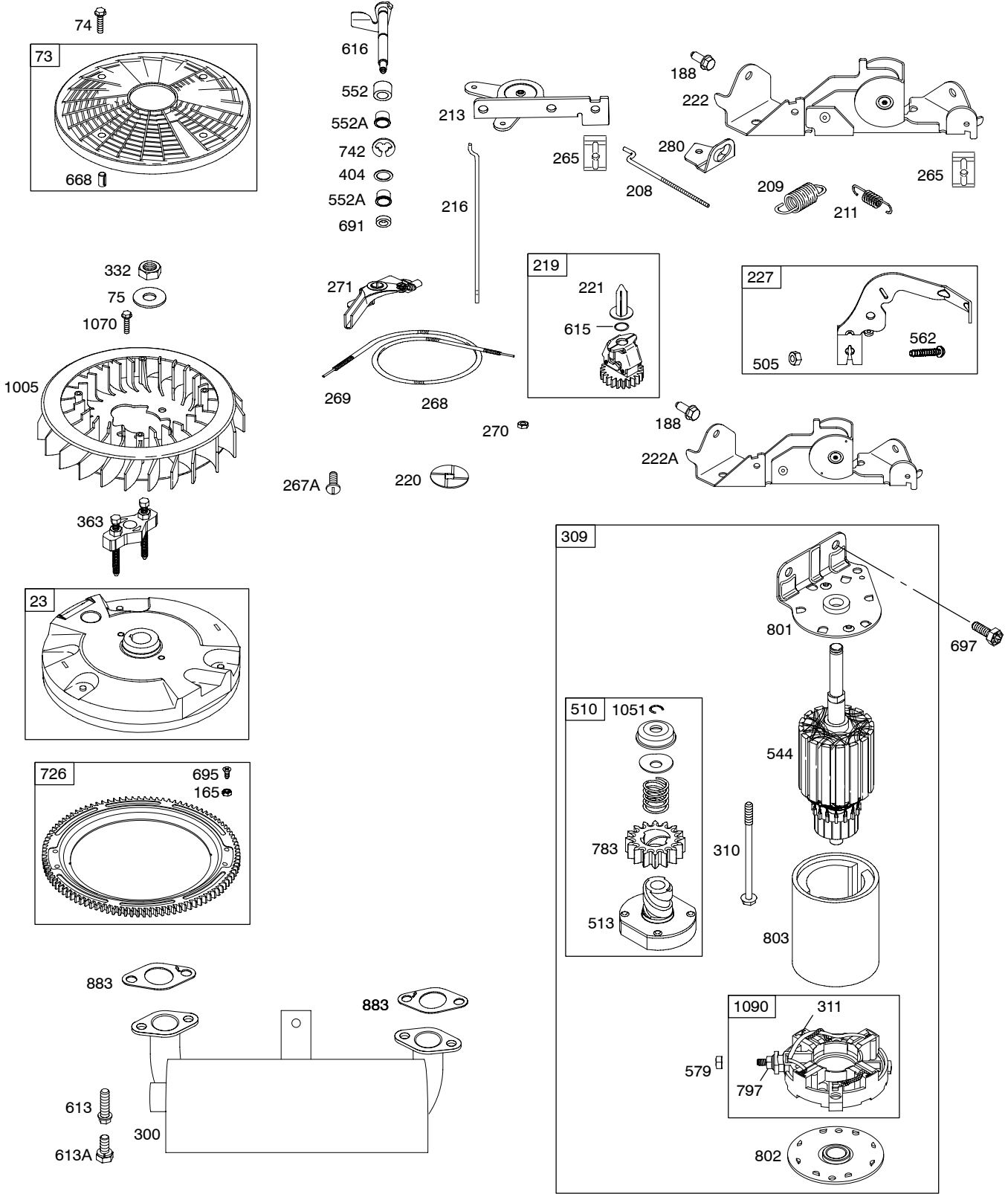


Illustrations cover a range of engines. Parts shown without corresponding text may not be used on your specific engine.

445600



Illustrations cover a range of engines. Parts shown without corresponding text may not be used on your specific engine.



Illustrations cover a range of engines. Parts shown without corresponding text may not be used on your specific engine. 3346-7 Assemblies include all parts shown in frames. 08/16/2005

445600

REF. NO.	PART NO.	DESCRIPTION	REF. NO.	PART NO.	DESCRIPTION	REF. NO.	PART NO.	DESCRIPTION
1	699753	Cylinder Assembly	26	792026	Ring Set (Standard) (Used After Code Date 05071900)	98	699721	Kit-Idle Speed
2	499585	Kit-Bushing/Seal (Magneto Side)				104	●694918	Pin-Float Hinge
3	★391086	Seal-Oil (Magneto Side)				105	●698537	Valve-Float Needle
4	699747	Sump-Engine				108	699723	Valve-Choke
5	693998	Head-Cylinder (Cylinder 1)				117	699732	Jet-Main (Standard) (Left)(Nikki)
5A	693999	Head-Cylinder (Cylinder 2)						----- Note ----- 791501 Jet-Main (Standard) (Left)(Nikki) Used on Type No(s). 0241.
7	★△693997	Gasket-Cylinder Head						
8	499601	Breather Assembly						
9	★690937	Gasket-Breather						
10	691108	Screw (Breather Assembly)				117A	699733	Jet-Main (Standard) (Right)(Nikki)
11	★690942	Tube-Breather						----- Note ----- 791502 Jet-Main (Standard) (Right)(Nikki) Used on Type No(s). 0241.
12	697227	Gasket-Crankcase	27	690975	Lock-Piston Pin			
13	791130	Screw (Cylinder Head)	28	690229	Pin-Piston (Standard)			
15	690946	Plug-Oil Drain	29	699699	Rod-Connecting (Standard)			
16	699700	Crankshaft ----- Note ----- 790132 Crankshaft Used on Type No(s). 0476.	32	690976	Screw (Connecting Rod)	118	790890	Jet-Main (High Altitude) (Left)(Nikki)
20	★690947	Seal-Oil (PTO Side)	33	499596	Valve-Exhaust	118A	699458	Jet-Main (High Altitude) (Right)(Nikki)
22	694966	Screw (Crankcase Cover/Sump)	34	697464	Valve-Intake			
23	691053	Flywheel	35	690963	Spring-Valve (Intake)	121	699734	Kit-Carburetor Overhaul
24	222698	Key-Flywheel	36	690963	Spring-Valve (Exhaust)	125	699709	Carburetor ----- Note ----- 791230 Carburetor Used on Type No(s). 0241.
25	792023	Piston Assembly (Standard) (Used After Code Date 05071800)	42	499586	Keeper-Valve			
		----- Note ----- 792072 Piston Assembly (.020" Oversize) (Used After Code Date 05071800)	45	690977	Tappet-Valve			
		694007 Piston Assembly (Standard) (Used Before Code Date 05071900)	46	790562	Camshaft			
		694007 Piston Assembly (.020" Oversize) (Used Before Code Date 05071900)	50A	695241	Manifold-Intake (Plastic)	130	690993	Valve-Throttle
			51A★●791677	Gasket-Intake	131	499805	Kit-Throttle Shaft	
			53	690951	Stud (Carburetor)	133	699724	Float-Carburetor
			54	699816	Screw (Intake Manifold) (Used With Plastic Intake Manifold)	135	●699729	Tube-Fuel Transfer
			73	494439	Screen-Rotating	137	●690994	Gasket-Float Bowl
			74	698425	Screw (Rotating Screen)	141	699722	Kit-Choke Shaft
			75	691056	Washer (Flywheel)	142	●699726	Nozzle-Carburetor (Standard)
			89	690283	Plug-Oil	146	690979	Key-Timing
			95	690718	Screw (Throttle Valve)	150	●690995	Gasket-Nozzle
						160	699727	Retainer-Solenoid
						163	★△691001	Gasket-Air Cleaner
						165	693148	Nut (Ring Gear)
						187	791766	Line-Fuel
						187A	791801	Line-Fuel (Molded)
						187C	791744	Line-Fuel (Molded)

★ Included in Engine Gasket Set-Ref. No.358.

● Included in Carburetor Overhaul Kit-Ref. No. 121.

◆ Included in Carburetor Gasket Set-Ref. No. 977.

△ Included in Valve Gasket Set-Ref. No 1095.

Illustrations cover a range of engines. Parts shown without corresponding text may not be used on your specific engine.

445600

REF. NO.	PART NO.	DESCRIPTION	REF. NO.	PART NO.	DESCRIPTION	REF. NO.	PART NO.	DESCRIPTION
187D	693180	Line-Fuel Used on Type No(s). 0476.	280	691526	Bracket-Rod	467	691008	Knob-Air Cleaner
188	691108	Screw (Control Bracket)	287	691108	Screw (Dipstick Tube)	467A	790697	Knob-Air Cleaner
192	690083	Adjuster-Rocker Arm	300	696226	Muffler Used on Type No(s). 0110.	474C	696457	Alternator (Tri Circuit) Used on Type No(s). 0110, 0420.
208	690566	Rod-Governor Control	304	790688	Housing-Blower (Black) (Black)	474D	696458	Alternator (10 Amp Circuit)
209	697674	Spring-Governor (Brown)	305	691005	Screw (Blower Housing) (21/32" Long)	501	691185	Regulator (10-16 Amp Regulated)
211	691019	Spring-Governed Idle	305B	790690	Screw (Blower Housing to Intake Elbow)	501A	691188	Regulator (5 To 9 Amp Regulated) Used on Type No(s). 0110, 0420.
212	695238	Link-Throttle (Used With Plastic Intake Manifold)	309	497401	Motor-Starter	505	691029	Nut (Governor Control Lever)
213	691021	Bracket-Choke Control	310	691263	Screw (Starter Motor)	510	696541	Drive-Starter
216	691022	Link-Choke	311	497608	Brush Set	513	692024	Clutch-Drive
219	698231	Gear-Governor	332	691059	Nut (Flywheel)	523	691036	Dipstick
220	690412	Washer (Governor Gear)	333	691060	Armature-Magneto	524	691032	Seal-Dipstick Tube
221	841026	Cup-Governor	334	691061	Screw (Magneto Armature)	525	691037	Tube-Dipstick
222	698761	Bracket-Control	337	491055	Plug-Spark Used on Type No(s). 420.	526	691108	Screw (Regulator) (10-16 Amp Regulated)
222A	698757	Bracket-Control Used on Type No(s). 0503.	337A	691043	Plug-Spark Used on Type No(s). 0110, 0413, 0476, 0503.	526A	691129	Screw (Regulator) (5 To 9 Amp Regulated) Used on Type No(s). 0110, 0420.
227	691048	Lever-Governor Control	358A	694012	Gasket Set-Engine	544		Armature-Starter (Service With 497401 Starter Motor)
231	690718	Screw (Choke Valve)	363	19203	Puller-Flywheel	552	690552	Bushing-Governor Crank
239	491657	Switch-Oil Pressure ----- Note ----- 697049 Switch-Oil Pressure Used on Type No(s). 0110.	383	19374	Wrench-Spark Plug	552A	690553	Bushing-Governor Crank
240	691035	Filter-Fuel	385	691108	Screw (Fuel Pump)	562	690311	Bolt (Governor Control Lever)
250	690957	Retainer-Breather	387	808656	Pump-Fuel	573	790444	Plate-Back
252	690956	Collector-Oil	404	690442	Washer (Governor Crank)	578	691208	Wire Assembly
265	691024	Clamp-Casing	405A	697820	Screw (Back Plate) (Mounting)	579	691029	Nut (Starter Cable)
267A	695134	Screw (Casing Clamp)	415	690283	Plug (Sump)	601A	691038	Clamp-Hose (Black)
268	691025	Casing-Control Wire (Cut To Required Length)	418	690999	Plate-Carburetor			
269	691026	Wire-Control (Cut To Required Length)	431	790816	Elbow-Intake			
270	691027	Nut (Control Wire Casing)	445	499486	Filter-Air Cleaner Cartridge			
271	691028	Lever-Control	447	691003	Screw (Air Guide Cover)			
276★◆690997		Washer-Sealing ----- Note ----- 695410 Washer-Sealing Used on Type No(s). 0241.	447A	691108	Screw (Air Guide Cover)			

★ Included in Engine Gasket Set-Ref. No.358.

● Included in Carburetor Overhaul Kit-Ref. No. 121.

◆ Included in Carburetor Gasket Set-Ref. No. 977.

△ Included in Valve Gasket Set-Ref. No 1095.

Illustrations cover a range of engines. Parts shown without corresponding text may not be used on your specific engine.

445600

REF. NO.	PART NO.	DESCRIPTION	REF. NO.	PART NO.	DESCRIPTION	REF. NO.	PART NO.	DESCRIPTION
613	690297	Screw (Muffler) Used on Type No(s). 0110.	801	691283	Cap-Drive	977	699735	Gasket Set-Carburetor
613A	690341	Screw (Muffler) Used on Type No(s). 0110.	802	691286	Cap-End	987	◆691000	Seal-Throttle Shaft
615	698290	Retainer-Governor Shaft	803		Housing-Starter (Service With 497401 Starter Motor)	1005	790698	Fan-Flywheel
616	691045	Crank-Governor	842	★691031	Seal-O Ring (Dipstick Tube)	1013	690954	Nipple-Oil Filter
617	697891	Seal-O Ring (Intake Manifold) (Used With Plastic Intake Manifold)	847	499602	Dipstick/Tube Assembly	1017	690770	Screen-Oil Pump
628	691108	Screw (Fuel Pump Bracket)	851	493880	Terminal-Spark Plug	1019	693995	Kit-Label
633	◆690998	Seal-Choke/Throttle Shaft	865	691012	Cover-Air Guide (Cylinder 1)	1022	★△690971	Gasket-Rocker Cover
635	66538	Boot-Spark Plug	865A	691014	Cover-Air Guide (Cylinder 2)	1023	◆499599	Cover-Rocker (Cylinder 1)
654	690958	Nut (Carburetor)	865B	691015	Cover-Air Guide (Valley)	1023A	499600	Cover-Rocker (Cylinder 2)
668	691215	Spacer	868	★△690968	Seal-Valve	1024	499054	Pump-Oil
672	◆690234	Gasket-Carburetor Plate	877B	393537	Wire/Connector-Alternator (Tri Circuit) Used on Type No(s). 0110, 0420.	1026	690981	Rod-Push (Steel)
691	★790574	Seal-Governor Shaft	877C	399916	Wire/Connector-Alternator (10 Amp Circuit)	1026A	690982	Rod-Push (Aluminum)
695	693149	Screw (Ring Gear)	883	△690970	Gasket-Exhaust Used on Type No(s). 0110.	1027	492932	Filter-Oil
697	690372	Screw (Drive Cap)	914	691127	Screw (Rocker Cover)	1029	690972	Arm-Rocker
703	691010	Clip	918	694000	Hose-Vacuum	1035	691042	Shaft-Pump
718	690959	Pin-Locating	929	695239	Screw (Choke Control Bracket) (Used With Plastic Intake Manifold)	1036	790626	Label-Emissions
726	499612	Gear-Ring	943	★690589	Seal-O Ring (Oil Pump Cover)	1051	691265	Ring-Retaining
729	694123	Clip-Wire Used on Type No(s). 0110.	947	699728	Solenoid-Fuel ----- Note ----- 841546 Solenoid-Fuel Used on Type No(s). 0241.	1058	276245	Operator's Manual (Emission)
741	690980	Gear-Timing	965	499613	Cover-Oil Pump	1059	698516	Kit-Screw/Washer
742	690328	Retainer-E Ring	967	273638	Filter-Pre Cleaner	1070	691058	Screw (Flywheel Fan)
750	696999	Screw (Oil Pump Cover)	968A	790689	Cover-Air Cleaner	1090	691293	Retainer-Brush
783	695708	Gear-Pinion	975	499810	Bowl-Float ----- Note ----- 791232 Bowl-Float Used on Type No(s). 0241.	1095	694013	Gasket Set-Valve
788	691039	Bracket-Fuel Pump				1100	791959	Pivot-Rocker Arm
789	790544	Harness-Wiring				1119	691183	Screw (Alternator)
789A	698330	Harness-Wiring (6 Pin Customer Conversion) Used on Type No(s). 0110, 0420.				1123	◆699725	Seal-O Ring (Solenoid Retainer)
789B	696576	Harness-Wiring				1124	690988	Seal-O Ring (Fuel Transfer Tube)
797	693167	Nut (Brush Retainer)				1126	690991	Screw (Fuel Transfer Tube)
798	697890	Screw (Rocker Arm)				1127	690992	Screw (Float Bowl)
						1128	690990	Screw (Carburetor Nozzle)
						1146	690718	Screw (Choke Shaft)
						1169A	693140	Screw (Carburetor Cover Plate)
						1330	273521	Repair Manual
						1342	699731	Extension-Fuel Transfer Tube
						1353	699725	Seal-O Ring (Fuel Transfer Tube Extension)

★ Included in Engine Gasket Set-Ref. No.358.

● Included in Carburetor Overhaul Kit-Ref. No. 121.

◆ Included in Carburetor Gasket Set-Ref. No. 977.

△ Included in Valve Gasket Set-Ref. No 1095.

Illustrations cover a range of engines. Parts shown without corresponding text may not be used on your specific engine.