

422400 to 422499

Illustrated Parts List

Model Series

422400 to 422499

TYPE NUMBERS

0015 through 0070
0110 through 0150
0515 and 0516
0519 through 0523
0570, 0610, 0611, 0612
0623, 0624, 0625,
0630 through 0651
0660 through 0755
1010 through 1026
1030 through 1032
1045 through 1052
1070

TO FIND

THE CORRECT NUMBER OF THE PART YOU NEED:

FOLLOW THE INSTRUCTIONS BELOW

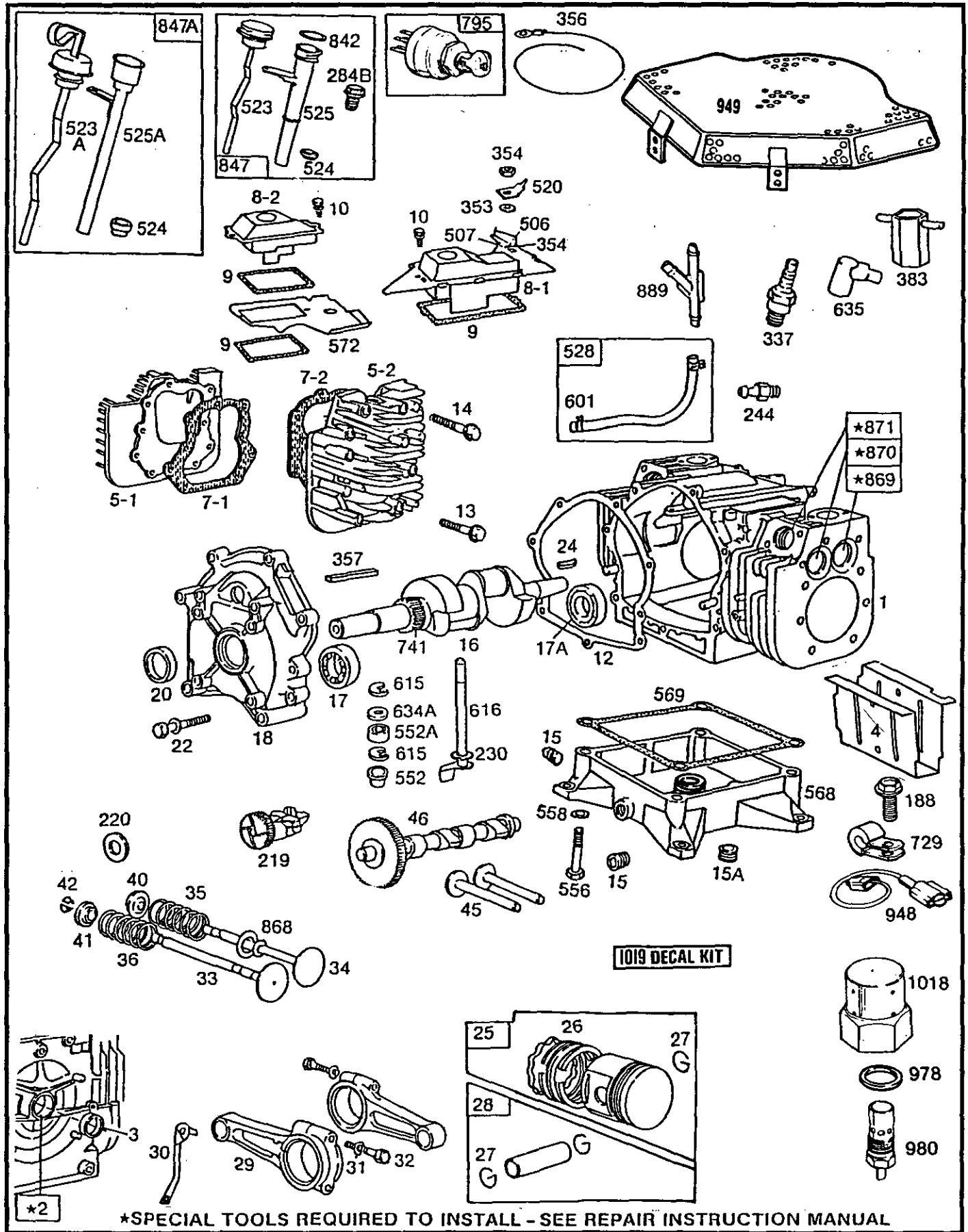
- A. Refer to Engine Model, Type and Code Number that is stamped on the blower housing of engine. Engine type numbers such as 012301 are listed herein only as 0123. The two digits (01 or 02, etc.) to the right of the space are not needed for parts identification. Then use the Illustrated Parts List covering the Model Series.
- B. Refer to Illustrated Parts section and compare the old part with illustration. The number on the illustration is the Reference Number. Assemblies include all parts shown in frames. All parts shown in assembly frames on which individual reference numbers are given can be purchased separately.
- C. After the Reference Number has been identified, refer to the Numerical Parts List, where *Reference and Master Part Number are listed. THE MASTER PART IS USED ON ALL TYPE NUMBERS EXCEPT THOSE TYPE NUMBERS UNDER "NOTE"*.
- D. If a "Note" appears below the Master Part Number, this means that this part differs from the Master Part for certain types. If the Type number is listed under "Note", order the part referred to.
- E. If the Engine Type Number does not appear after any part number listed under "Note", use the Master Part Number.
- F. For Type Numbers higher than those covered by this book, please refer to the factory if you are unable to identify the part by comparison.

PRINTED IN U.S.A.



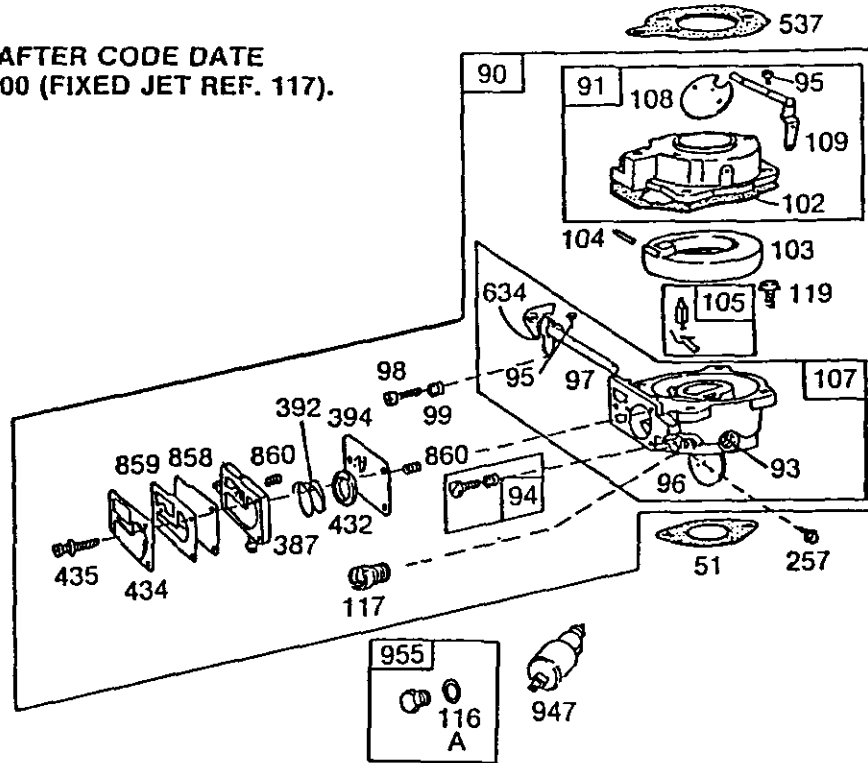
COPYRIGHT ©

422400 to 422499

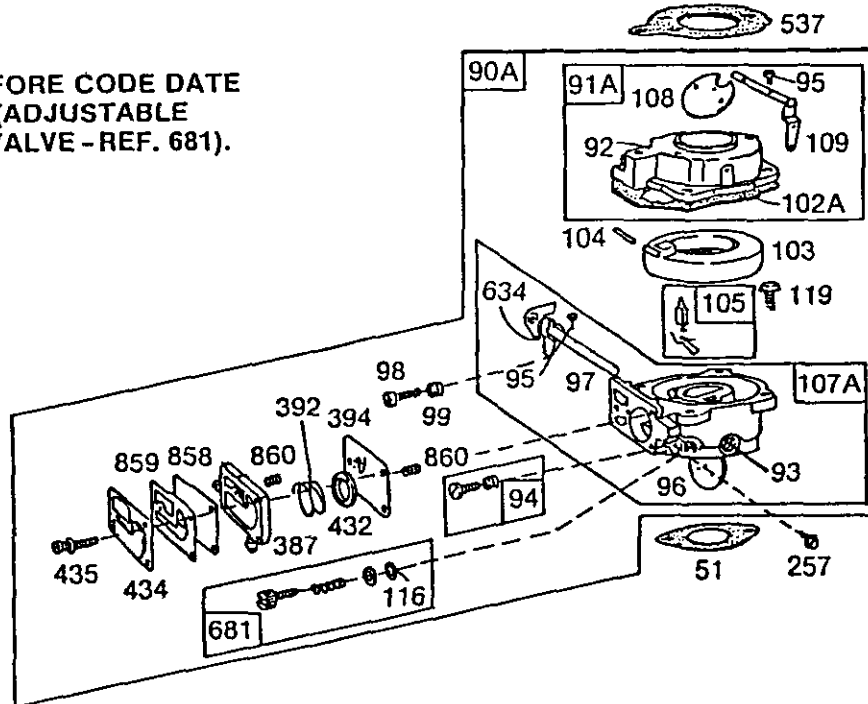


422400 to 422499

USED AFTER CODE DATE
84022300 (FIXED JET REF. 117).

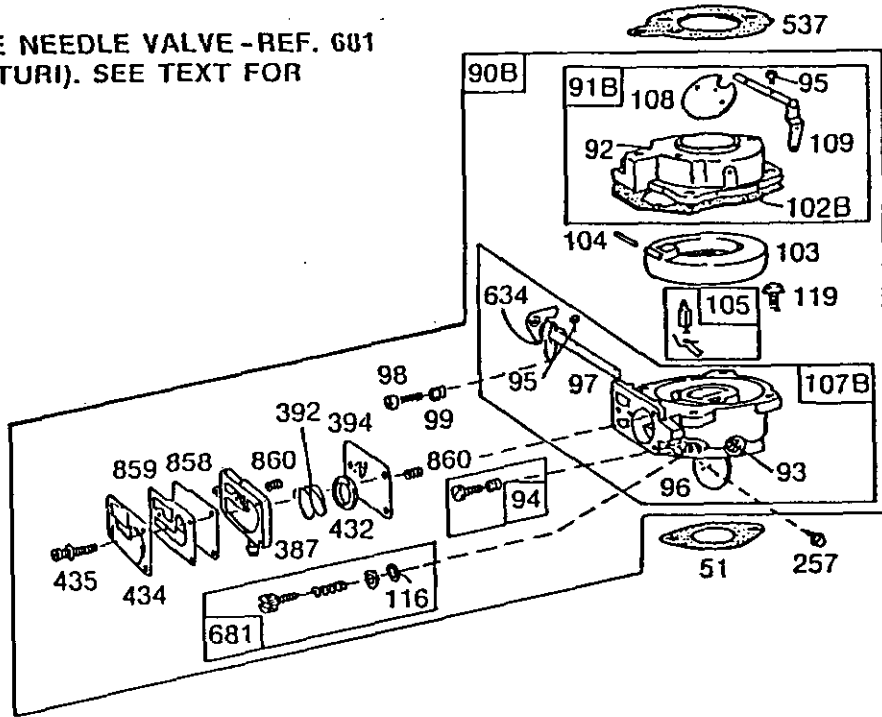


USED BEFORE CODE DATE
84022400 (ADJUSTABLE
NEEDLE VALVE - REF. 681).

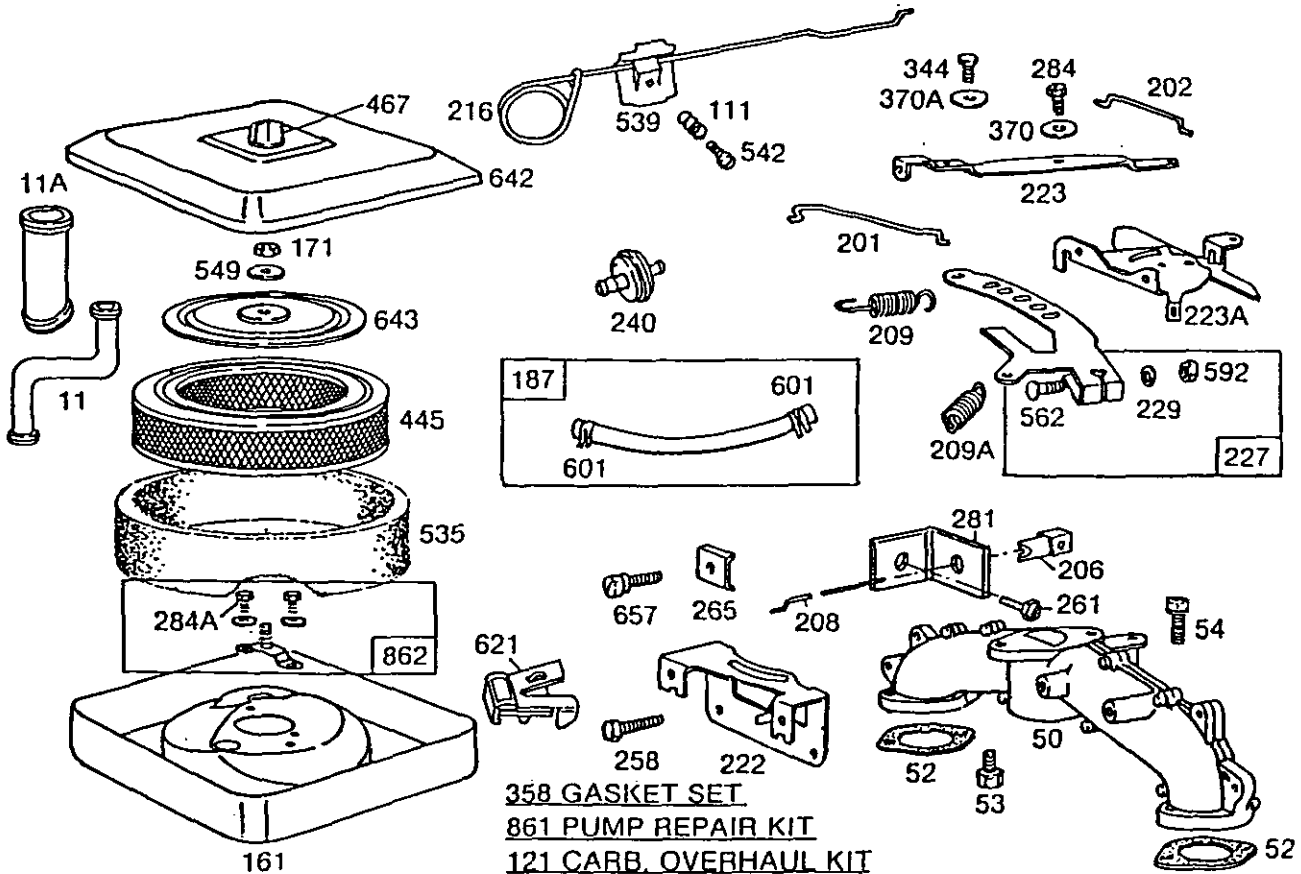


422400 to 422499

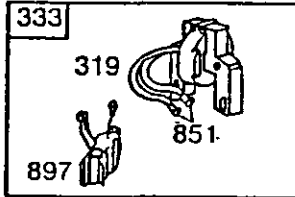
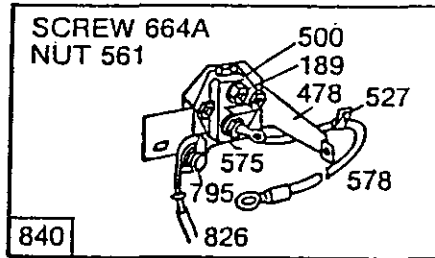
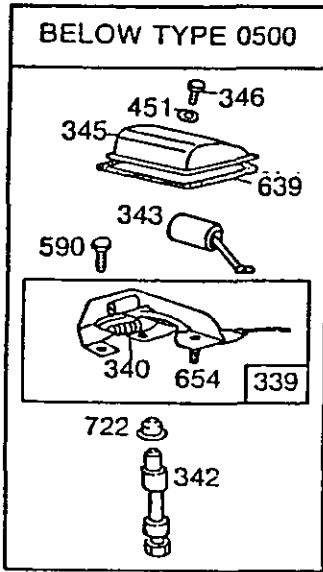
**ADJUSTABLE NEEDLE VALVE - REF. 681
(SMALL VENTURI). SEE TEXT FOR
TYPE NOS.**



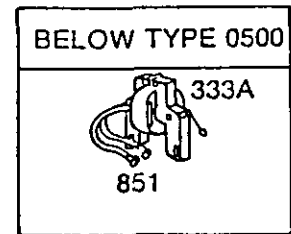
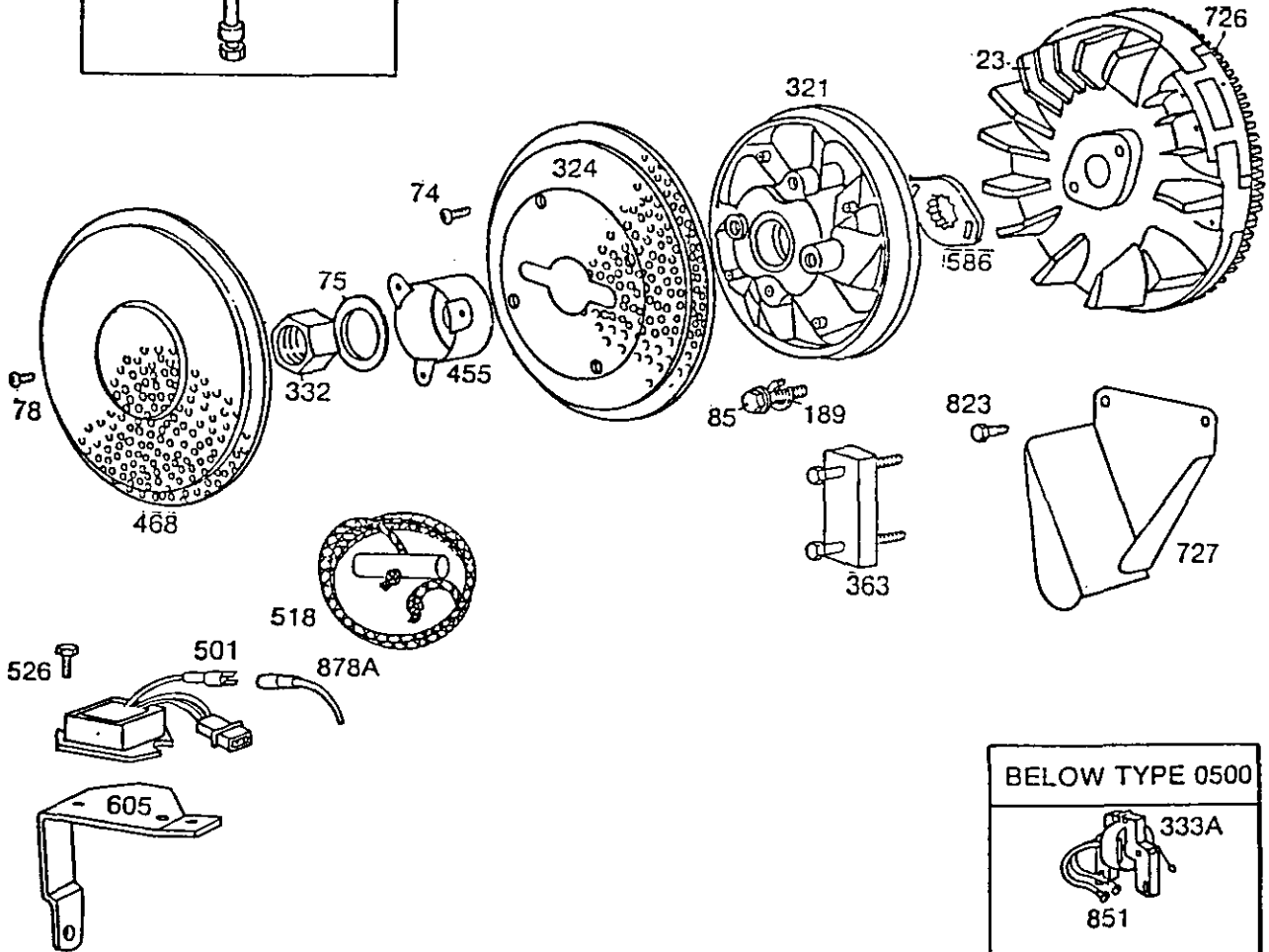
THESE PARTS USED WITH ALL CARBURETORS.



422400 to 422499

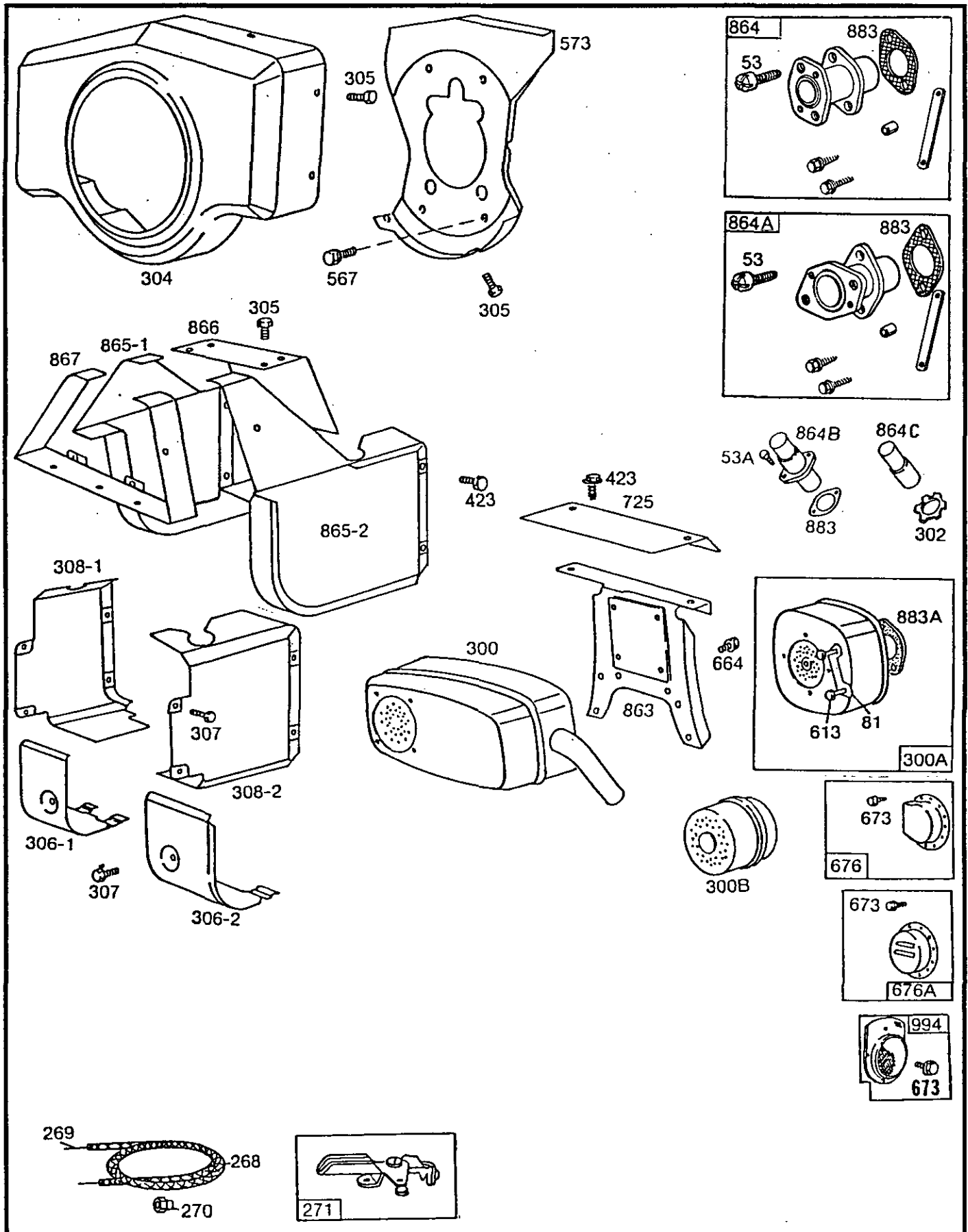


334



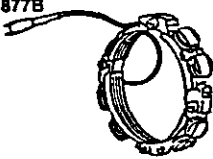



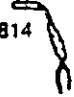




334

422400 to 422499

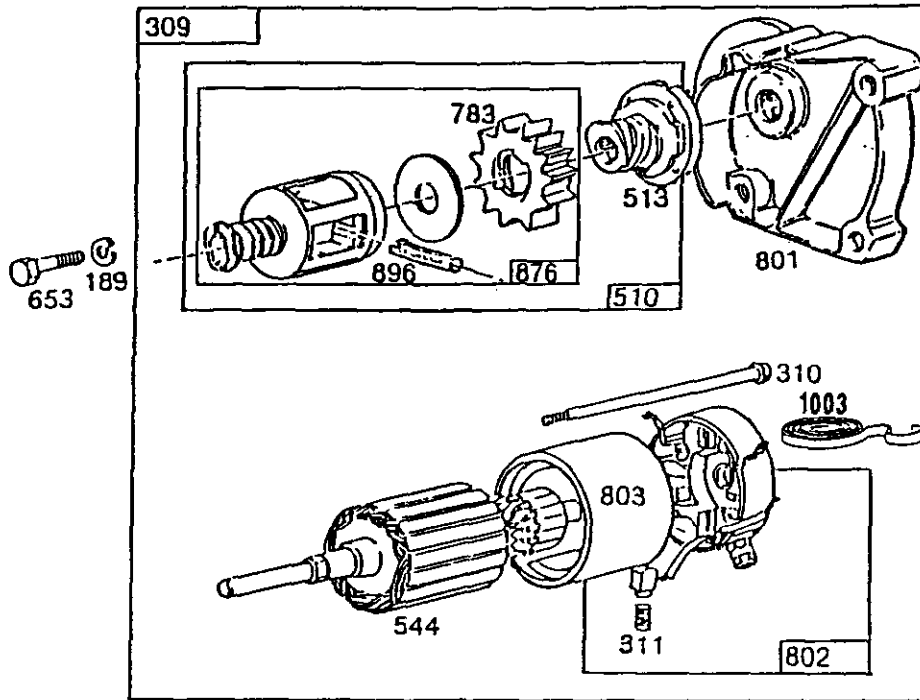


422400 to 422499

DC Only	Dual Circuit	Tri-Circuit	16 AMP
23	23	23	UNDER NOTE 23
887 877A 	474 877 	474A 877B 	474B 
878A 	878 	814 	878A 
			501 

NOTE: All stators use #482 Mtg. Screw

422400 to 422499



Subject		Ref. No. 309	Ref. No. 310	Ref. No. 311	Ref. No. 801	Ref. No. 802	Ref. No. 803	Ref. No. 544	Ref. No. 1003	
Starter Motor Mfr.		Motor and Drive Assy.	Thru Bolt	Brush Assembly	End Cap Assy. Drive	End Cap Assy. Commutator	Housing Assembly	Armature Assembly	Brush Spring	
Briggs & Stratton	Housing Length									
	†12V	3"	393017	93887	391705	393009	394674	**	390837	—
	12V	3-5/8"	394808	94003	395538	394860	††395537	393825	390837	—
	12V	4-1/2"	399928	94169	490311	394860	490310	399172	490309	490316

Subject	Ref. No. 513	Ref. No. 783	Ref. No. 876	Ref. No. 896	Ref. No. 510
Starter Motor Mfr.	Clutch Assembly	Gear	Pinion Spring Kit	Roll Pin	Starter Drive Group
Briggs & Stratton					
12V	391135	280104	393254	93754	396865

NOTE: Style Identification of 12 volt motors.

NEW STYLE: Thru bolt heads are located on the drive end head.

†OLD STYLE: Brush end head is 13/16" wide.

††See Text — Ref. 309 for Specials.

**Part not available. Use 394808 Motor Drive Assembly.

422400 to 422499

REF. NO.	PART NO.	DESCRIPTION	REF. NO.	PART NO.	DESCRIPTION	REF. NO.	PART NO.	DESCRIPTION
1	394900	Cylinder Assembly Note: 394687 Cylinder Assembly Used on Type Nos. below 0660.		394106	Crankshaft Used on Type Nos. 0124, 0624, 0649, 0669, 0680, 0688, 0697, 0700, 0707, 0717, 0728, 1010, 1011.			0671, 0672, 0679, 0680, 0682, 0689, 0691, 0694, 0696, 0700, 0701, 0702, 0704, 0706, 0707, 0709, 0710, 0712, 0721, 0724, 0726, 0733, 0734, 0735, 0736, 0741, 0747, 0749, 0750, 0754, 1015, 1016, 1018, 1023, 1026, 1032, 1045, 1046, 1048, 1070.
2	261623	Bearing—Cylinder Used on Type Nos. 0660 and above.		394108	Crankshaft Used on Type Nos. 0125, 0625, 0640, 0661, 0683, 0722, 0731, 0739, 0740.	20	291675	Seal—Oil
3	391086	Seal—Oil		394382	Crankshaft Used on Type Nos. 0070, 0135, 0136, 0570, 0630, 0636, 0670, 0671, 1032, 1070.	22	93847	Screw—Crankcase Cover Mtg. Sem
4	223055	Trough—Dipper		394384	Crankshaft Used on Type Nos. 0021, 0147, 0521, 0646, 0668, 0736, 1021, 1024, 1026, 1051.	23	392956	Flywheel and Ring Gear Assy.—Magneto Note: 393480 Flywheel and Ring Gear Assy.—Magneto (16 Amp) Used on Type Nos. 0019, 0020, 0021, 0022, 0131, 0137, 0519, 0520, 0521, 0522, 0638, 0644, 0647, 0672, 0673, 0674, 0684, 0698, 0704, 0712, 0723, 0733, 0737, 0740, 0743, 0744, 0745, 0750, 0751, 0753, 0754, 1018, 1019, 1020, 1021, 1024, 1026, 1048, 1049, 1050, 1051, 1052.
5-1	212461	Head—Cylinder #1		394585	Crankshaft Used on Type Nos. 0022, 0023, 0126, 0142, 0146, 0522, 0523, 0639, 0648, 0664, 0687, 0692, 0701, 0703, 0735, 0746, 0753, 1022, 1023, 1030, 1031, 1052.			
5-2	212462	Head—Cylinder #2		393741	Bearing—Ball (P.T.O. Side)	24	222698	Key—Flywheel (For MAGNETRON® Ignition) Note: 61760 Key—Flywheel (For Breaker Ignition System)
7-1	*270984	Gasket—Cylinder Head #1		393980	Bearing—Ball Used on Type Nos. below 0660.			
7-2	*270983	Gasket—Cylinder Head #2		394309	Cover Assembly—Crankcase (Ball Brg.) Note: 394535 Cover Assy.—Crankcase (Ball Brg.) Used on Type Nos. 0015, 0016, 0023, 0070, 0126, 0128, 0130, 0131, 0135, 0136, 0139, 0143, 0144, 0146, 0148, 0149, 0150, 0515, 0516, 0523, 0570, 0630, 0633, 0634, 0636, 0637, 0638, 0643, 0645, 0648, 0649, 0651, 0663, 0664, 0665, 0666, 0667, 0669, 0670,	25	394955	Piston Assembly—Standard 394956 Piston Assy.—.010" O.S. 394957 Piston Assy.—.020" O.S. 394958 Piston Assy.—.030" O.S.
8-1	393243	Breather Assembly #1	17	393741	Bearing—Ball (P.T.O. Side)			
8-2	393153	Breather Assembly #2	17A	393980	Bearing—Ball Used on Type Nos. below 0660.			
9	*27803	Gasket—Valve Cover	18	394309	Cover Assembly—Crankcase (Ball Brg.) Note: 394535 Cover Assy.—Crankcase (Ball Brg.) Used on Type Nos. 0015, 0016, 0023, 0070, 0126, 0128, 0130, 0131, 0135, 0136, 0139, 0143, 0144, 0146, 0148, 0149, 0150, 0515, 0516, 0523, 0570, 0630, 0633, 0634, 0636, 0637, 0638, 0643, 0645, 0648, 0649, 0651, 0663, 0664, 0665, 0666, 0667, 0669, 0670,			
10	93394	Screw—Sem						
11	280185	Tube—Breather						
11A	280198	Tube—Intake						
12	*270982	Gasket—Crankcase Cover—1/64" thick						
	*271145	Gasket—Crankcase Cover—.005" thick						
	*271146	Gasket—Crankcase .009" thick						
13	93111	Screw—Cylinder Head (1-15/16" long) Note: 93772 Stud—Cylinder Head 22963 Washer Used on Type Nos. 0148, 0633, 0667, 0726.						
14	93113	Screw—Cylinder Head (2-5/16" long) Note: 93583 Stud—Cylinder Head 22963 Washer Used on Type Nos. 0148, 0633, 0667, 0726.						
15	91084	Plug—Oil Drain						
15A	93448	Plug—Hex. Socket						
16	394430	Crankshaft Note: Order Part 94196 Key or 231160 Pin for Timing Gear Retaining Device 394101 Crankshaft Used on Type Nos. 0123, 0623.						

*Included in Gasket Set—Part No. 394501.

†Included in Carburetor Overhaul Kit—Part No. 394502.

422400 to 422499

REF. NO.	PART NO.	DESCRIPTION	REF. NO.	PART NO.	DESCRIPTION	REF. NO.	PART NO.	DESCRIPTION
28	299691	Pin Assembly—Piston—Standard	57	490179	Spring—Rewind Starter	93	231209	Bushing—Throttle Shaft
	391286	Pin Assembly—Piston—.005" O.S.	58	66884	Rope—63" for use with Plastic Pulley	94	†292681	Valve Assembly—Carburetor Idle
29	394306	Rod Assembly—Connecting		Note:	If longer Rope is required, order Rope No. 66894 and cut to length.	95	93499	Screw—Throttle and Choke Valve Mtg. Sem
	Note:	For Connecting Rod with .020" Crankpin Bore—Order No. 397158.	59	230228	Pin—Starter Grip	96	221939	Valve—Throttle
30	223053	Dipper—Connecting Rod	60	66728	Grip—Starter Rope		Note:	222433 Valve—Throttle Used on Type Nos. 0670, 1031, 1032.
31	220863	Washer—1/4 x 5/8 x 1/32	63	260414	Spring—Ratchet	97	392672	Shaft and Lever—Throttle
32	92909	Screw—Connecting Rod	64	231118	Adapter—Ratchet Spring		Note:	393469 Shaft and Lever—Throttle Used on Type Nos. 0136, 0630, 0670.
33	390420	Valve—Exhaust	66	393127	Clutch Assembly—Rewind Starter		Uses:	222923 Throttle Shaft Stop in Addition on Type Nos. 1031, 1032.
34	261528	Valve—Intake	67	261455	Housing—Rewind Starter	98	91920	Screw—Machine, Fil. Hd.—32 x 5/8"
	Uses:	393606 Seal Assy. and Retainer (Ref. No. 868)	68	63770	Ball—Clutch	99	26157	Spring—Throttle Adjustment
35	65906	Spring—Intake Valve	69	66718	Washer—Starter Clutch Thrust	102	†271607	Gasket—Carburetor Body
36	26828	Spring—Exhaust Valve	70	298799	Ratchet—Rewind Starter Clutch	102A	†271008	Gasket—Carburetor Body
40	221596	Retainer—Intake Valve	71	221653	Washer—Retainer	102B	†271256	Gasket—Carburetor Body
41	292260	Rotocoil—Exhaust Valve	74	93808	Screw—Sem	103	298514	Float—Carburetor
	Note:	68293 Retainer—Exhaust Valve Used on Type No. 0703.	75	222511	Washer—Spring	104	†230896	Pin—Float Hinge
42	93630	Retainer—Exhaust Valve Rotocoil (2)	76	68238	Seal—Ratchet Sealing	105	†394681	Valve—Fuel Inlet
45	261368	Tappet—Valve	78	93805	Screw—Sem	107	399623	Body—Lower Carburetor (Used after Code Date 85082500.)
46	212337	Gear—Cam	81	223016	Lock—Muffler Screw		Note:	397270 Body—Lower Carburetor (Used before Code Date 85082600.)
	Note:	212415 Gear—Cam Used on Type Nos. below 0500.	85	92674	Screw—Hex. Hd.		Note:	398619 Body—Lower Carburetor Used on Type Nos. 0721, 0749, 0750.
50	212999	Manifold Assy.—Intake (Cast Iron)	90	397245	Carburetor Assembly	107A	394352	Body—Lower Carburetor
	Note:	393349 Manifold Assembly—Intake (Aluminum)		Note:	398620 Carburetor Assy. Used on Type Nos. 0721, 0749, 0750.	107B	394372	Body—Lower Carburetor Used on Type Nos. 0136, 0630, 0670, 1031, 1032.
51	†*271412	Gasket—Carb. Mtg.	90A	394338	Carburetor Assembly (Remote Choke)	108	223534	Valve—Choke (Used after Code Date 85082500.)
52	*270884	Gasket—Intake Manifold Mtg.	90B	393471	Carburetor Assembly Used on Type Nos. 1031, 1032.		Note:	222010 Valve—Choke (Used after Code Date 85082600.)
53	93415	Screw—Carburetor Mtg. Sem		Note:	394368 Carburetor Assy. Used on Type Nos. 0130, 0630, 0670.			
54	93208	Screw—Intake Manifold Mtg. Sem	91	399535	Body Assembly—Upper Carburetor (Used after Code Date 85082500.)			
55	394229	Housing—Rewind Starter		Note:	397241 Body Assy.—Upper Carburetor (Used before Code Date 85082600.)			
56	392630	Pulley—Rewind Starter Includes 63" Rope	91A	393297	Body Assembly—Upper Carburetor			
	Note:	If longer Rope is required, order Rope No. 66894 and cut to length.	91B	394376	Body Assembly—Upper Carburetor Used on Type Nos. 0136, 0630, 0670, 1031, 1032.			
			92	394505	Body—Upper Carburetor			

*Included in Gasket Set—Part No. 394501.

†Included in Carburetor Overhaul Kit—Part No. 394502.

422400 to 422499

REF. NO.	PART NO.	DESCRIPTION	REF. NO.	PART NO.	DESCRIPTION	REF. NO.	PART NO.	DESCRIPTION
109	392673	Shaft and Lever—Choke	198	293934	Valve—Fuel Shut-Off	230	220863	Washer—Governor Crank (Inside)
111	26155	Spring—Choke	199	297563	Outlet—Fuel Tank	231	93064	Screw—Sem
116	†65978	Packing—Needle Valve	201	261444	Link—Governor	240	394358	Filter—Fuel (in Fuel Line)
116A	280474	O-Ring	202	261531	Link—Speed Control	240A	393169	Filter Assy.—Fuel
117	231338	Jet—Needle Valve	206	21772	Nut—Governor Adjusting	241	296005	Cover Assy.—Fuel
	Note:	231333 Jet—Needle Valve (High Altitude)	208	231225	Rod—Speed Control	242	295913	Valve and Cover—Fuel Shut-Off
119	94152	Screw—Hex. Hd. Sem—10/32 x 3/4"		Note:	231191 Rod—Generator Control	243	22547	Screen—Fuel Filter
120	92290	Washer—Lock—No. 10 x 1/16 x 3/64"			Used on Type Nos. 0136, 0630, 0670, 1031, 1032.	244	230318	Connector—Fuel Pipe
121	394502	Carburetor Overhaul Kit	209	261720	Spring—Governor	245	*68477	Gasket—Fuel Filter Bowl
161	222752	Body—Air Cleaner		Note:	261486 Spring—Governor (Bracket on Carburetor)	246	298683	Bowl—Fuel Filter
171	93715	Nut—Hex.			Used on Type Nos. 0136, 0630, 0670, 1031, 1032.	247	99665	Yoke—Fuel Filter
180	292415	Tank Assembly—Fuel (8 Quart)			261578 Spring—Governor Idle	257	93897	Screw—Casing Clamp
	Note:	291488 Tank Assy.—Fuel (6 Quart)	209A	261563	Spring—Governed Idle	258	93163	Screw—Sem (For Cast Iron Manifold)
		291490 Strap Assy.—Fuel Tank		Note:	260902 Spring—Governor Idle		Note:	93868 Screw—Sem (For Aluminum Manifold)
		includes:			Used on Type Nos. 0136, 0630, 0670, 1031, 1032.	261	94152	Screw—Hex. Hd. Sem
		91257 Screw—Machine Fill. Hd.			261578 Spring—Governor Idle	265	221535	Clamp—Casing
		90970 Nut—Square—1/4-20			Used on Type Nos. 0136, 0630, 0670.	268	65616	Casing—Control Wire—72" long
		Used on Type No. 0751.			261578 Spring—Governor Idle		Note:	If longer casing is required, specify length in inches; if shorter wire is needed, order No. 65616 and cut to required length.
		393169 Outlet—Fuel Tank	216	261511	Rod—Manual Choke			
		22813 Bracket—Fuel Tank	219	394348	Gear—Governor	269	26633	Wire—Control—78" long
		22907 Support—Fuel Tank		Note:	393565 Gear—Governor		Note:	If longer wire is required, specify length in inches; if shorter wire is needed, order No. 26633 and cut to required length.
		291490 Strap Assy.—Fuel Tank			Used on Type Nos. 1031, 1032.			
		Includes:	220	222773	Washer—Thrust	270	63426	Locknut—Control Wire Casing
		91257 Screw—Machine Fill. Hd.	222	222807	Bracket—Speed Control	271	290568	Lever Assy.—Control
		90970 Nut—Square—1/4-20		Note:	222807 Bracket—Speed Control	281	223247	Bracket—Idle Control
		Used with 292415 Tank Assembly—Fuel on Type Nos. 0697, 0717, 0728.			Control	284	93828	Screw—Sem
					Used with:	284A	93893	Screw—Sem
					222766 Plate—Governor Control	284B	93886	Screw—Hex Hd.
					222911 Bracket—Generator Control	300	394200	Muffler—Exhaust
					93105 Screw—Hex. Hd.	300A	394237	Muffler—Exhaust
					Used on Type Nos. 1031, 1032.	300B	392989	Muffler—Exhaust
181	297866	Cap—Fuel Tank	223	222828	Lever—Speed Control	302	261409	Locknut—Muffler
	Note:	392305 Cap—Fuel Tank	223A	394324	Plate Assembly—Governor Control	304	392681	Housing—Blower
		Used on Type Nos. 0697, 0717, 0728, 0751.					Note:	396088 Housing—Blower
187	299146	Line—Fuel (28") Cut to Required Length.	227	393846	Lever Assy.—Governor			Used on Type Nos. 0519, 0520, 0521, 0522, 0638, 0644, 0647, 0672, 0673,
188	93868	Screw—Hex Head	229	222289	Washer			
189	90366	Lockwasher						

*Included in Gasket Set—Part No. 394501.

†Included in Carburetor Overhaul Kit—Part No. 394502.

422400 to 422499

REF. NO.	PART NO.	DESCRIPTION	REF. NO.	PART NO.	DESCRIPTION	REF. NO.	PART NO.	DESCRIPTION
		0674, 0684, 0698, 0704, 0712, 0723, 0733, 0737, 0743, 0744, 0745, 0750, 0751, 0753, 0754, 1018, 1019, 1020, 1021, 1024, 1026, 1048, 1049, 1050, 1051, 1052.			0690, 0692, 0693, 0695, 0696, 0698, 0699, 0703, 0708, 0711, 0714, 0715, 0716, 0718, 0733, 0736, 0737, 0743, 0744, 0746, 0747, 1015, 1016, 1018, 1019, 1020, 1021, 1022, 1023, 1026, 1032, 1070.			Note: For Conversion to MAGNETRON® Ignition Order Part No. 394891 .
304A	393736	Housing—Blower (For Rewind Starter) (Low Profile) Note: 491043 Housing— Blower Used on Type No. 0740.			212418 Fan—Booster Used on Type Nos. 0128, 0131, 0134, 0637, 0651, 0665, 0677, 0679, 0689, 0702, 0706, 0709, 0710, 0712, 0721, 0749, 0750.	340	26018	Spring—Breaker Arm
305	93158	Screw—Sem				342	393598	Plunger—Breaker Point
306-1	222846	Shield—Cylinder				343	392912	Condenser
306-2	223734	Shield—Cylinder Note: 222847 Shield— Cylinder Used on Engines with 3-5/8" or Shorter Length Starter Motor.	324	222872	Screen—Rotating Note: 223008 Screen— Rotating Used on Type Nos. 0128, 0131, 0134, 0637, 0651, 0665, 0677, 0679, 0702, 0706, 0709, 0710, 0712, 0721, 0737, 0749, 0750.	344	93042	Screw—Hex. Hd. Sem
307	93163	Screw—Sem				345	212259	Cover—Breaker Point
308-1	222848	Cover—Air Guide				346	93854	Screw—Sem
308-2	222849	Cover—Air Guide				353	92791	Washer—Lock— Shakeproof
309		Motor—Starting See Chart for Replacement Parts for Starting Motors on Page 7. Note: 398797 End Cap Assy.— Commutator Used on Type No. 0673.	324A	223012	Screen—Rotating Uses: 222997 Support— Pulley 231226 Spacer (Clutch)	354	90576	Nut—Hex.—8-32
319	394988	Armature Assembly				356	391115	Wire—Ground Note: 393035 Wire—Ground Used on Type Nos. below 0500.
321	212277	Fan—Booster Note: 212370 Fan—Booster Used on Type Nos. 0015, 0016, 0019, 0020, 0021, 0022, 0023, 0070, 0110, 0129, 0137, 0138, 0139, 0140, 0141, 0142, 0144, 0145, 0147, 0515, 0516, 0519, 0520, 0521, 0522, 0570, 0610, 0632, 0639, 0642, 0643, 0644, 0645, 0646, 0668, 0674, 0676, 0681, 0682, 0685, 0686, 0687,	325	222995	Pulley—Rope Starter	357	91540	Key—Pulley
			332	230674	Nut—Hex. Note: 231247 Nut—Jam Used on Type Nos. 0128, 0131, 0134, 0637, 0651, 0665, 0677, 0679, 0689, 0702, 0706, 0709, 0710, 0712, 0721, 0737, 0749, 0750.	358	394501	Gasket Set
			333	394891	Armature Group (MAGNETRON® Ignition)	363	19203	Puller—Flywheel (Optional Accessory)
			333A	392329	Armature Assembly	370	231172	Bushing—Speed Control
			334	93381	Screw—Armature Mtg. Sem	370A	66432	Washer—Plain
			337	394539	Plug—Spark (2-3/8" High—60 M.M.) (Resistor)	373	90356	Nut—Hex.—10-24
			339	393403	Breaker Assembly— Ignition	383	89838	Wrench—Spark Plug
						387	280197	Body—Pump
						392	±261395	Spring—Pump
						394	±270988	Diaphragm
						423	93343	Screw—Hex. Head
						432	±221377	Cap—Spring
						434	222615	Cover—Diaphragm
						435	93829	Screw—Diaphragm Cover
						445	394018	Cartridge—Air Cleaner
						451	271037	Washer—Breaker Box
						455	222674	Cup—Screen Mounting
						467	212292	Knob—Air Cleaner
						468	222673	Screen—Flush Rotating
						474	393474	Stator—Alternator (Dual Circuit)
						474A	392595	Stator—Alternator (Tri-Circuit)
						474B	393295	Stator—Alternator (16 Amp.)
						478	223106	Bracket—Starter (Toggle Switch) Note: 223144 Bracket—Starter (Key Switch)
						482	93621	Screw—Sem
						500	91325	Washer
						501	394890	Regulator—Alternator (13 Amp.)
						506	231174	Terminal
						507	280180	Grommet—Insulator
						518	69932	Rope—Starter

*Included in Gasket Set—
Part No. 394501.

†Included in Carburetor Overhaul
Kit—Part No. 394502.

‡Included in Carburetor Overhaul
Kit—Part No. 394502 and Pump
Repair Kit—Part No. 393397.

422400 to 422499

REF. NO.	PART NO.	DESCRIPTION	REF. NO.	PART NO.	DESCRIPTION	REF. NO.	PART NO.	DESCRIPTION				
520	93722	Terminal—Spade			297472 Switch—Stop (Used before Code Date 85032800.)			Note: 392833 Switch—Ignition (Key Switch)				
523	398924	Cap and Dipstick— Oil Filler						396988 Switch—Ignition (Toggle)				
523A	394014	Cap and Dipstick— Oil Filler			Note: 297472 Switch—Stop Used on Type No. 0707.			Used on Type Nos. 0717, 0718.				
524	68838	Seal—Filler Tube				814	392606	Diode and Connector Assembly—Alternator (Tri-Circuit)				
525	280220	Tube—Oil Fill	634	†271013	Washer (Throttle Shaft)							
525A	392782	Tube—Oil Filler	634A	271316	Foam Seal—Governor Shaft							
526	93559	Screw—Regulator	635	66538	Elbow—Spark Plug	823	93535	Screw—Sem				
527	220162	Clip—Wire			Note: 392273 Elbow— R.F. Suppression Used on Type No. 0751.	826	394667	Wire Assembly (Starter Switch to Ground Wire Terminal)				
528	393815	Line—Fuel (Impulse) (11-1/4")						840	394583	Panel Assy.—Starter (Toggle)		
		Note: 296004 Line—Fuel (23") Cut to Required Length.	639	*271039	Gasket—Breaker Box					Note: 396573 Panel Assy.— Starter (Key)		
535	271271	Element—Air Cleaner	642	223001	Cover—Air Cleaner					397700 Panel Assy.— Starter (Toggle)		
537	†*271411	Gasket—Air Cleaner	643	222835	Cartridge Plate—Air Cleaner					Used on Type Nos. 0717, 0718.		
539	221372	Clip—Control Rod	653	91162	Screw—Hex. Hd.— 5/16-18 x 1-1/2"	842	271170	Seal—Tube				
542	90746	Screw—Fil. Hd.	654	230783	Nut—Contact Point Adjusting Screw	847	398990	Dipstick and Tube Assembly				
549	271180	Washer	655	222598	Anchor—Spring	847A	394023	Dipstick and Tube Assembly				
552	261559	Lower Bushing— Governor	657	93496	Screw—Sem					851	221798	Terminal—Ignition Cable
552A	261560	Upper Bushing— Governor			Note: 93686 Screw—Sem Used on Type No. 0741.					858	‡270989	Diaphragm—Damping
556	93783	Screw—Hex. Hd.	664	93343	Screw—Sem					859	‡271025	Gasket—Carburetor Pump
558	92268	Washer	664A	93415	Screw—Hex. Hd.					860	‡261358	Spring (2)
561	92278	Nut—Hex.	673	93705	Screw—Hex. Hd.— #8/32 x 3/8					861	393397	Repair Kit—Pump
562	93853	Bolt—Governor Lever	676	393761	Deflector—Muffler (Side Outlet)					862	392643	Mounting Strap Assy.— Air Cleaner
567	93777	Screw—Hex. Hd. (Back Plate to Cylinder)	676A	222902	Deflector—Muffler (Louvered Outlet)					863	222776	Bracket—Muffler
568	394391	Base—Engine	681	†394033	Valve Assy.—Needle					864	490358	Adapter Assembly— Muffler (Cyl. #1)
		Note: 490918 Base—Engine Used on Type No. 0750.	722	280222	Seal—Plunger					864A	490357	Adapter Assy.—Muffler (Cyl. #2)
569	*270981	Gasket—Engine Base	725	222981	Shield—Heat					864B	393483	Line Assembly— Exhaust Port
572	222700	Guide—Air	726	391362	Gear—Flywheel Ring (Includes Mounting Parts)					864C	231162	Connector—Muffler
573	392934	Back Plate Assembly	727	222987	Guard—Ring Gear					865-1	392991	Cover Assembly—Air Guide (Cylinder #2)
575	299139	Switch—Starting	729	94292	Clamp—Wire					865-2	399931	Cover Assembly—Air Guide (Cylinder #2)
578	394518	Wire Assembly	741	262221	Gear—Timing (Used with Key)							Note: 392992 Cover Assy— Air Guide (Cylinder #2) Used on Engines with 3-5/8" or Shorter Length Starter Motor.
586	22906	Nut—Flywheel Lock			Note: 261363 Gear— Timing (Used with Pin)							
590	93171	Screw—Sem	795	490066	Switch Assy— Key							
592	92278	Nut—Hex.—10-24	795A	392697	Switch—Ignition (Toggle)							
601	93053	Clamp—Fuel Pipe			Uses: 93888 Nut—Hex.							
605	222959	Bracket—Regulator (Not Used after Code Date 83052700)										
608	392677	Starter Assy.—Rewind										
613	93927	Screw—Muffler Mtg.										
615	93851	Retainer—E-Ring										
616	394396	Crank—Governor										
621	396847	Switch—Stop (Used after Code Date 85032700.)										

*Included in Gasket Set—
Part No. 394501.

†Included in Carburetor Overhaul
Kit—Part No. 394502.

‡Included in Carburetor Overhaul
Kit—Part No. 394502 and Pump
Repair Kit—Part No. 393397.

422400 to 422499

REF. NO.	PART NO.	DESCRIPTION	REF. NO.	PART NO.	DESCRIPTION	REF. NO.	PART NO.	DESCRIPTION
866	393025	Rear Insert Assembly (Air Guide)	877	393456	Diode and Connector Assembly (Dual Circuit)	887	391529	Stator Assembly—Alternator (D.C.)
867	222775	Frame—Air Guide				897	394970	Capsule Assembly—MAGNETRON® Ignition
868	393606	Seal Assembly and Retainer	877A	393537	Connector Assembly (Tri-Circuit)	947	397266	Solenoid
869	261463	Seat—Intake Valve (Standard)	877B	391529	Stator Assembly—Alternator (D.C.)	948	490574	Wire Assembly
870	210940	Seat—Exhaust Valve (Standard)	878	393362	Alternator Harness Assembly	949	393330	Cover—Static Guard
871	261961	Guide—Exhaust Valve	878A	393422	Alternator Harness Assembly	955	397882	Plug and Seal—Solenoid
	Note:	231218 Intake Valve Guide Only (Brass) See Repair Manual	883	271174	Gasket—Exhaust	978	271984	Washer—Sealing
			883A	270917	Gasket—Exhaust	980	490916	Sensor—Oil Level
						994	392390	Arrester—Spark
						1018	231540	Cap-Oil Sensor
						1019	491262	Decal Kit

*Included in Gasket Set—Part No. 394501.

†Included in Carburetor Overhaul Kit—Part No. 394502.