



**403600**

# Illustrated Parts List

## Model Series

# 403600

TYPE NUMBERS  
0343.

### TABLE OF CONTENTS

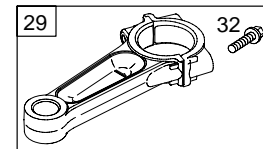
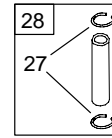
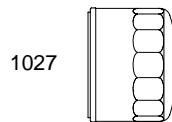
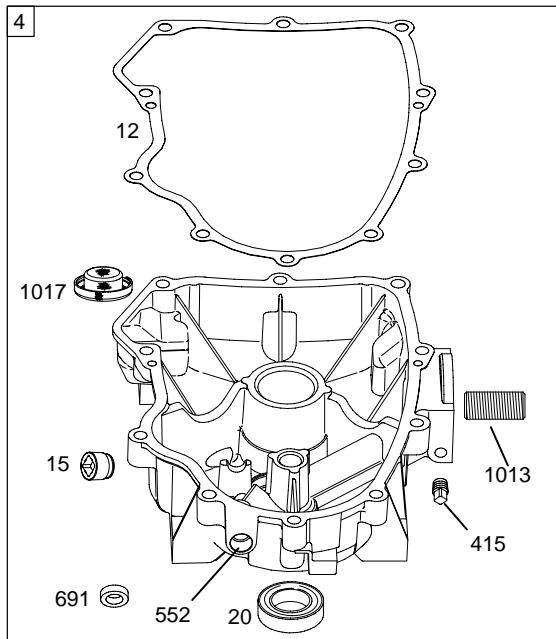
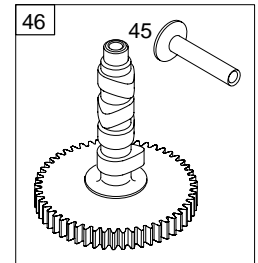
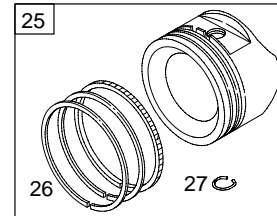
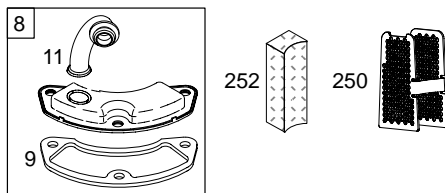
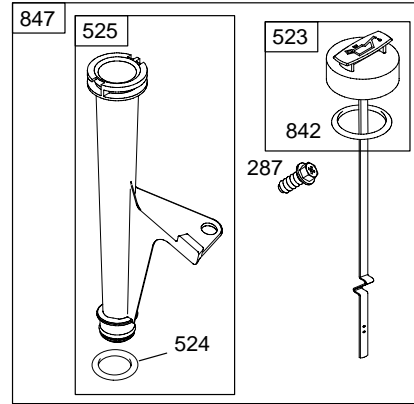
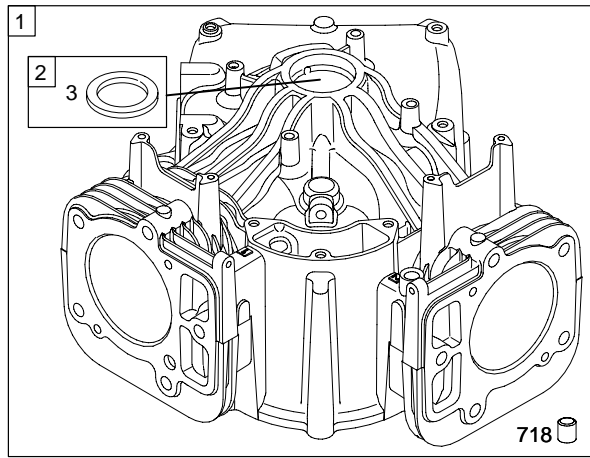
Air Cleaner .....	5
Alternator .....	7
Blower Housing .....	5
Camshaft .....	2
Carburetor .....	4
Controls .....	6
Crankshaft .....	2
Cylinder .....	2
Cylinder Head .....	3
Electric Starter .....	6
Engine Sump .....	2
Flywheel .....	6
Gasket Set – Engine .....	4
Gasket Set – Valve .....	4
Governor Spring .....	6
Kit – Carburetor Overhaul .....	4
Piston .....	2
Valves .....	3



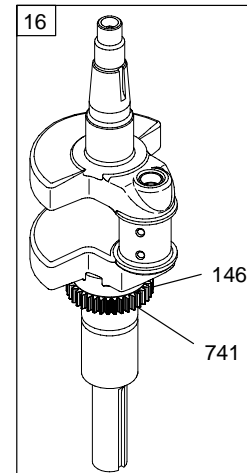
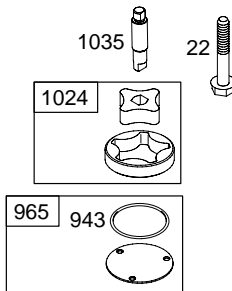
PRINTED IN U.S.A.

COPYRIGHT by BRIGGS & STRATTON CORPORATION  
All rights reserved. No part of this material may be reproduced or transmitted, in any form or by any means, electronic or mechanical, including photocopying, recording or by any information storage and retrieval system, without permission in writing from Briggs & Stratton Corporation.

# 403600



24

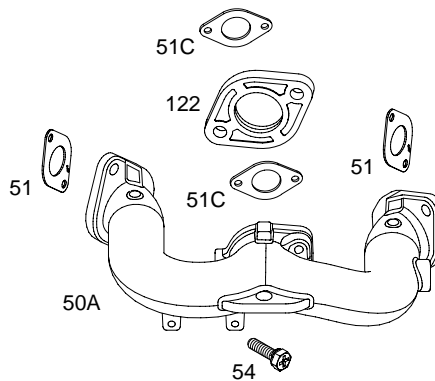
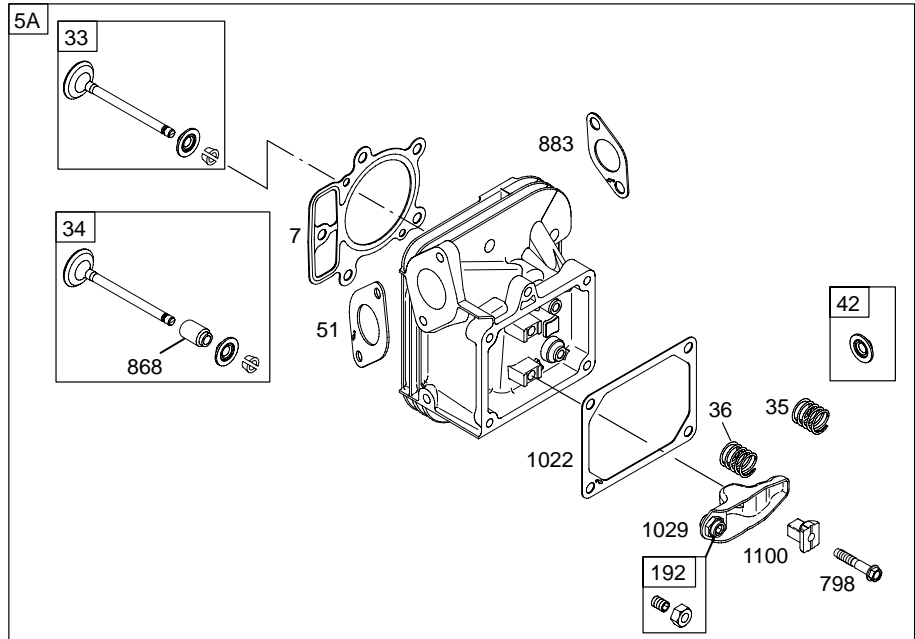
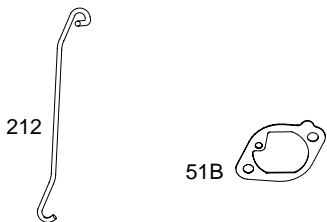
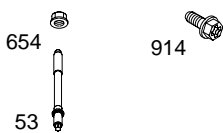
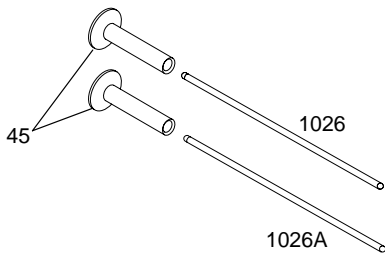
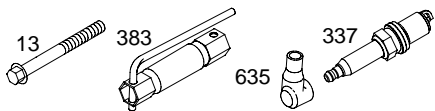
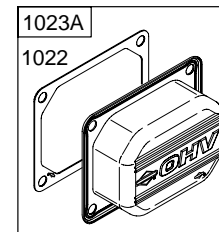
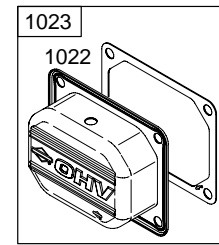
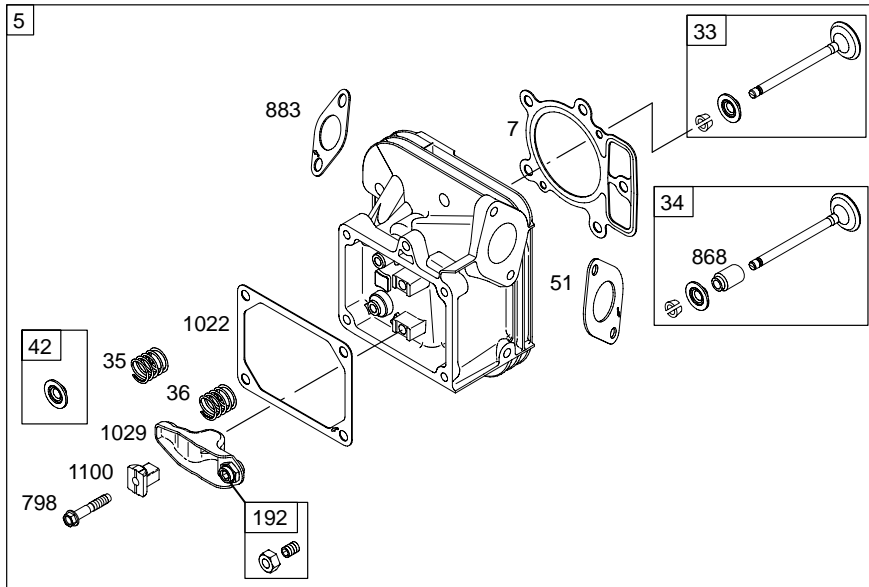


1019 LABEL KIT

1058 OPERATOR'S MANUAL

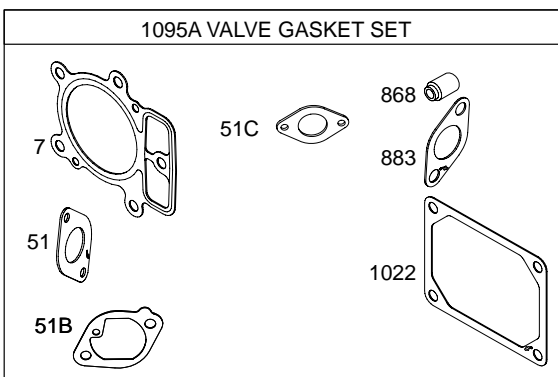
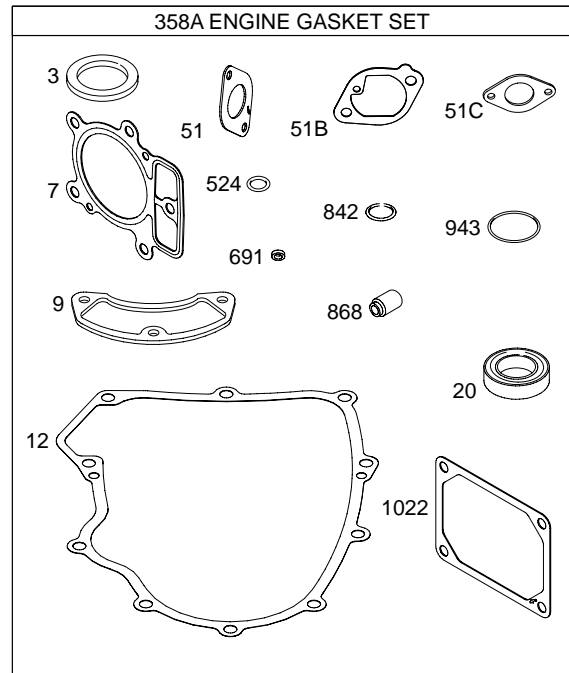
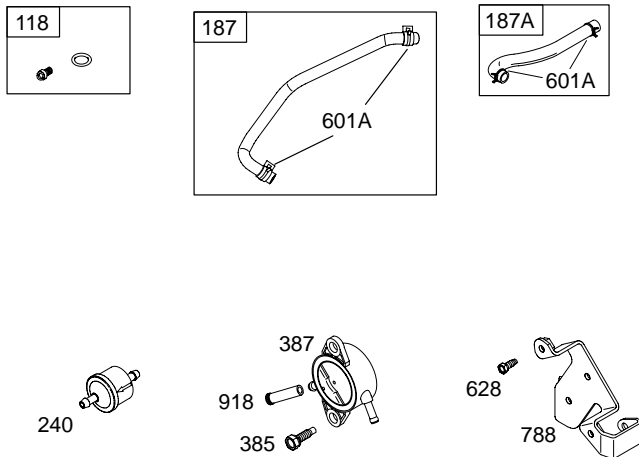
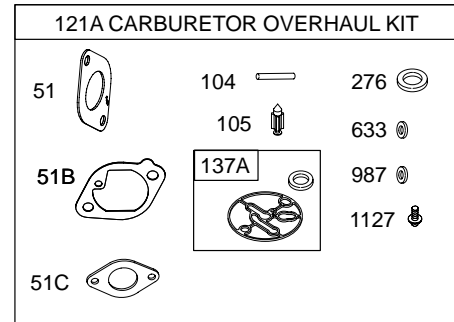
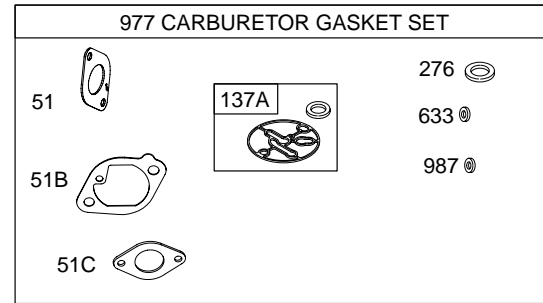
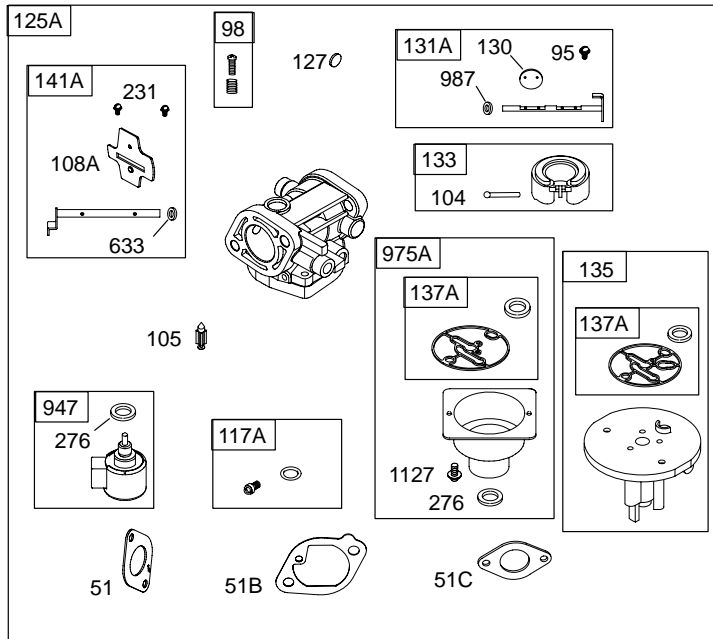
1330 REPAIR MANUAL

Illustrations cover a range of engines. Parts shown without corresponding text may not be used on your specific engine. 3344-2 Assemblies include all parts shown in frames. 07/07/2005

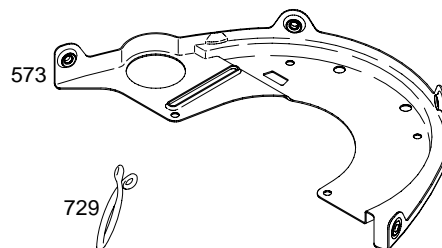
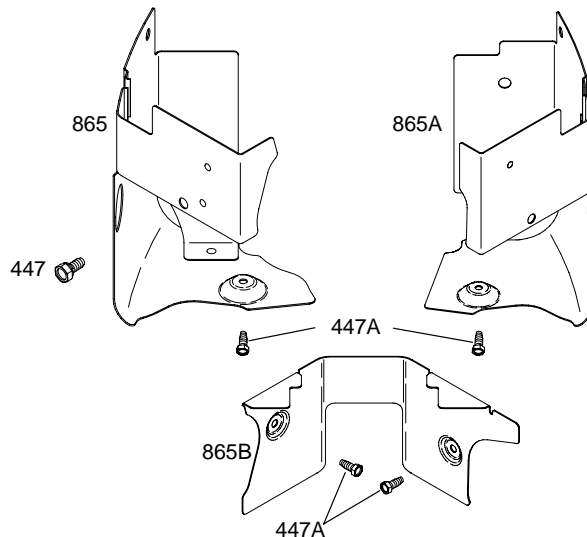
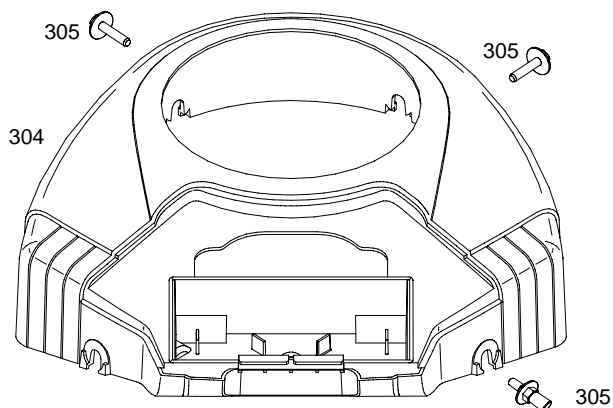
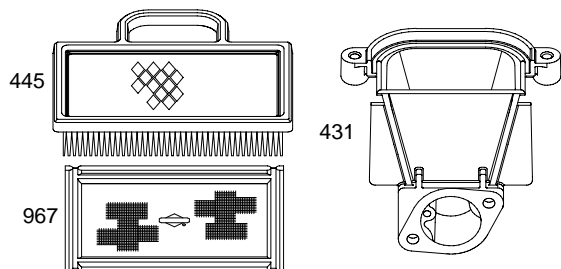
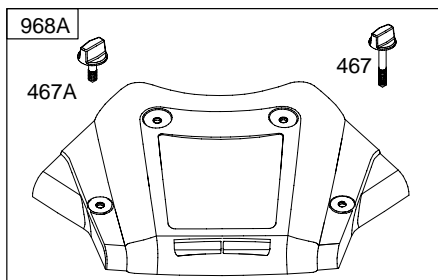


Illustrations cover a range of engines. Parts shown without corresponding text may not be used on your specific engine.  
 3344-3 Assemblies include all parts shown in frames. 07/07/2005

# 403600



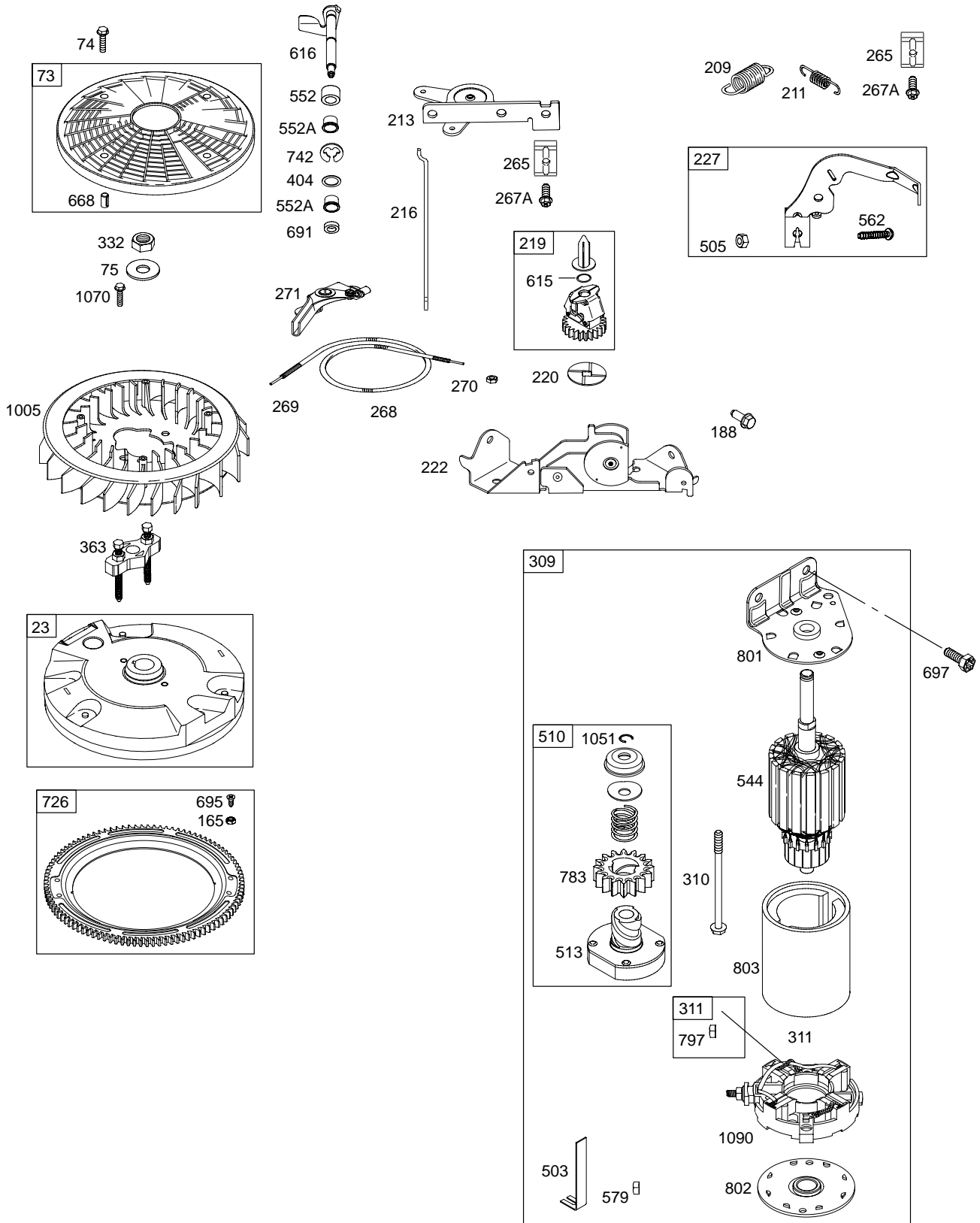
Illustrations cover a range of engines. Parts shown without corresponding text may not be used on your specific engine.  
 3344-4 Assemblies include all parts shown in frames. 07/07/2005



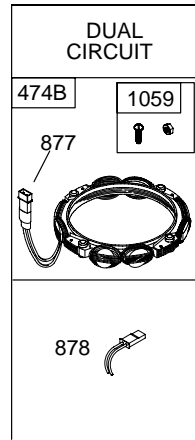
1036 EMISSIONS LABEL


Illustrations cover a range of engines. Parts shown without corresponding text may not be used on your specific engine.  
3344-5 Assemblies include all parts shown in frames. 07/07/2005

# 403600

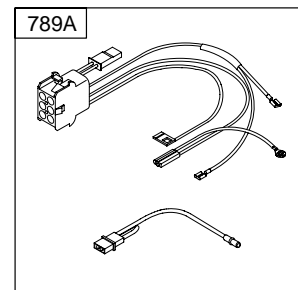
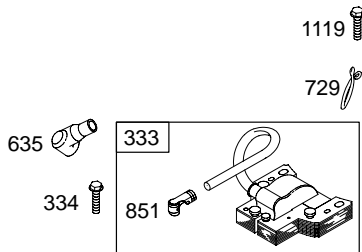


Illustrations cover a range of engines. Parts shown without corresponding text may not be used on your specific engine.  
 3344-6 Assemblies include all parts shown in frames. 07/07/2005



**NOTE:** All stators use a No. 1119 mounting screw. 

**NOTE:** The proper flywheel part number and/or the alternator magnet size will determine the alternator type or output. See repair instruction manual for additional information.



# 403600

REF. NO.	PART NO.	DESCRIPTION	REF. NO.	PART NO.	DESCRIPTION	REF. NO.	PART NO.	DESCRIPTION
1	699751	Cylinder Assembly	42	499586	Keeper-Valve	216	691022	Link-Choke
2	499585	Kit-Bushing/Seal (Magneto Side)	45	690977	Tappet-Valve	219	698231	Gear-Governor
3	★391086	Seal-Oil (Magneto Side)	46	790562	Camshaft	220	690412	Washer (Governor Gear)
4	699747	Sump-Engine	50A	699801	Manifold-Intake	222	698761	Bracket-Control
5	693998	Head-Cylinder (Cylinder 1)	51★◆△690949	Gasket-Intake	227	691048	Lever-Governor Control	
5A	693999	Head-Cylinder (Cylinder 2)	51B★◆◆699800	Gasket-Intake	231	690718	Screw (Choke Valve)	
7	★△690962	Gasket-Cylinder Head	51C★◆◆699803	Gasket-Intake	240	691035	Filter-Fuel	
8	499601	Breather Assembly	53	690951	Stud (Carburetor)	250	690957	Retainer-Breather
9	★690937	Gasket-Breather	54	699816	Screw (Intake Manifold)	252	690956	Collector-Oil
10	691108	Screw (Breather Assembly)	73	494439	Screen-Rotating	265	691024	Clamp-Casing
11	690942	Tube-Breather	74	698425	Screw (Rotating Screen)	267A	695134	Screw (Casing Clamp)
12	★697227	Gasket-Crankcase	75	691056	Washer (Flywheel)	268	691025	Casing-Control Wire (Cut To Required Length)
13	791130	Screw (Cylinder Head)	95	690718	Screw (Throttle Valve)	269	691026	Wire-Control (Cut To Required Length)
15	690946	Plug-Oil Drain	98	699721	Kit-Idle Speed	270	691027	Nut (Control Wire Casing)
16	699700	Crankshaft	104	◆694918	Pin-Float Hinge	271	691028	Lever-Control
20	★791892	Seal-Oil (PTO Side)	105	◆698537	Valve-Float Needle	276	★695410	Washer-Sealing
22	694966	Screw (Crankcase Cover/Sump)	108A	699808	Valve-Choke	287	691108	Screw (Dipstick Tube)
23	691054	Flywheel	117A	791406	Jet-Main (Standard)	304	790688	Housing-Blower (Black)
24	222698	Key-Flywheel	118	699820	Jet-Main (High Altitude)	305	691005	Screw (Blower Housing to Intake Elbow)
25	499588	Piston Assembly (Standard)	121A	699814	Kit-Carburetor Overhaul	309	497595	Motor-Starter
		----- Note -----	122	699802	Spacer-Carburetor	310	690323	Screw (Starter Motor)
		499590 Piston Assembly (.020" Oversize)	125A	699807	Carburetor	311	497608	Brush Set
26	499604	Ring Set (Standard)	127	699810	Plug-Welch	332	691059	Nut (Flywheel)
		----- Note -----	130	699809	Valve-Throttle	333	691060	Armature-Magneto
		499606 Ring Set (.020" Oversize)	131A	699812	Kit-Throttle Shaft	334	691061	Screw (Magneto Armature)
27	690975	Lock-Piston Pin	133	694914	Float-Carburetor	337	491055	Plug-Spark
28	690229	Pin-Piston (Standard)	137A	◆698781	Gasket-Float Bowl	358A	699823	Gasket Set-Engine
29	699699	Rod-Connecting (Standard)	141A	699811	Kit-Choke Shaft	363	19203	Puller-Flywheel
32	690976	Screw (Connecting Rod)	146	690979	Key-Timing (Ring Gear)	383	19374	Wrench-Spark Plug
33	499596	Valve-Exhaust	165	693148	Nut (Ring Gear)	385	691108	Screw (Fuel Pump)
34	697464	Valve-Intake	187	699799	Line-Fuel (Molded)	387	808656	Pump-Fuel
35	690963	Spring-Valve (Intake)	187A	791801	Line-Fuel	404	690442	Washer (Governor Crank)
36	690963	Spring-Valve (Exhaust)	188	691003	Screw (Control Bracket)	405A	697820	Screw (Back Plate)
			192	690083	Adjuster-Rocker Arm			
			209	692909	Spring-Governor (Yellow)			
			211	691019	Spring-Governed Idle			
			212	699805	Link-Throttle			
			213	691021	Bracket-Choke Control			

★ Included in Engine Gasket Set-Ref. No.358A.

◆ Included in Carburetor Overhaul Kit-Ref. No. 121A.

◆ Included in Carburetor Gasket Set-Ref. No. 977.

△ Included in Valve Gasket Set-Ref. No 1095A.

**Illustrations cover a range of engines. Parts shown without corresponding text may not be used on your specific engine.**



**403600**

REF. NO.	PART NO.	DESCRIPTION	REF. NO.	PART NO.	DESCRIPTION	REF. NO.	PART NO.	DESCRIPTION
415	690283	Plug	703	691010	Clip	967	273638	Filter-Pre Cleaner
431	790628	Elbow-Intake	718	690959	Pin-Locating	968A	790689	Cover-Air Cleaner
445	499486	Filter-Air Cleaner Cartridge	726	499612	Gear-Ring	975A	699502	Bowl-Float
447	691003	Screw (Air Guide Cover)	729	694123	Clip-Wire	977	699815	Gasket Set-Carburetor
447A	691108	Screw (Air Guide Cover)	741	690980	Gear-Timing	987	●699813	Seal-Throttle Shaft
467	691008	Knob-Air Cleaner	742	690328	Retainer-E Ring	1005	790698	Fan-Flywheel
467A	790697	Knob-Air Cleaner	750	696999	Screw (Oil Pump Cover)	1013	690954	Nipple-Oil Filter
474B	696459	Alternator (Dual Circuit)	783	695708	Gear-Pinion	1017	690770	Screen-Oil Pump
503	691532	Strap-Starter	788	691039	Bracket-Fuel Pump	1019	790094	Kit-Label
505	691029	Nut (Governor Control Lever)	789A	698330	Harness-Wiring (6 Pin Customer Conversion)	1022	★△690971	Gasket-Rocker Cover
510	696541	Drive-Starter	797	693167	Nut (Brush Retainer)	1023	499599	Cover-Rocker (Cylinder 1)
513	692024	Clutch-Drive	798	697890	Screw (Rocker Arm)	1023A	499600	Cover-Rocker (Cylinder 2)
523	691036	Dipstick	801	691283	Cap-Drive	1024	499054	Pump-Oil
524	★691032	Seal-Dipstick Tube	802	691286	Cap-End	1026	690981	Rod-Push (Steel)
525	691037	Tube-Dipstick	803		Housing-Starter (Service With 497595 Starter Motor)	1026A	690982	Rod-Push (Aluminum)
544	692034	Armature-Starter	842	★691031	Seal-O Ring (Dipstick Tube)	1027	492932	Filter-Oil
552	690552	Bushing-Governor Crank	847	499602	Dipstick/Tube Assembly	1029	690972	Arm-Rocker
552A	690553	Bushing-Governor Crank	851	493880	Terminal-Spark Plug	1035	691042	Shaft-Pump
562	690311	Bolt (Governor Control Lever)	865	691012	Cover-Air Guide (Cylinder 1)	1036	790626	Label-Emissions (Used After Code Date 04120700).
573	790444	Plate-Back	865A	691014	Cover-Air Guide (Cylinder 2)	----- <b>Note</b> -----		
579	691029	Nut (Starter Cable)	865B	691015	Cover-Air Guide (Valley)	1051	691265	Ring-Retaining
601A	691038	Clamp-Hose (Black)	868	★△690968	Seal-Valve	1058	276245	Operator's Manual (Emission)
615	698290	Retainer-Governor Shaft	877	393456	Wire/Connector-Alternator (Dual Circuit)	1059	698516	Kit-Screw/Washer
616	691045	Crank-Governor	878	691237	Harness-Alternator	1070	690372	Screw (Flywheel Fan)
628	691108	Screw (Fuel Pump Bracket)	883	690970	Gasket-Exhaust	1090	691293	Retainer-Brush
633	●695414	Seal-Choke/Throttle Shaft	914	691127	Screw (Rocker Cover)	1095A	699822	Gasket Set-Valve
635	66538	Boot-Spark Plug	918	694000	Hose-Vacuum	1100	791959	Pivot-Rocker Arm
654	690958	Nut (Carburetor)	943	★690589	Seal-O Ring (Oil Pump Cover)	1119	691183	Screw (Alternator)
668	691215	Spacer	947	699728	Solenoid-Fuel	1127	695407	Screw (Float Bowl)
691	★690657	Seal-Governor Shaft	965	499613	Cover-Oil Pump	1330	273521	Repair Manual
695	693149	Screw (Ring Gear)						
697	690372	Screw (Drive Cap)						

★ Included in Engine Gasket Set-Ref. No.358A.

● Included in Carburetor Overhaul Kit-Ref. No. 121A.

◆ Included in Carburetor Gasket Set-Ref. No. 977.

△ Included in Valve Gasket Set-Ref. No 1095A.

*Illustrations cover a range of engines. Parts shown without corresponding text may not be used on your specific engine.*