



384400

Illustrated Parts List

Model Series

384400

TYPE NUMBERS
0111 through 0113.

TABLE OF CONTENTS

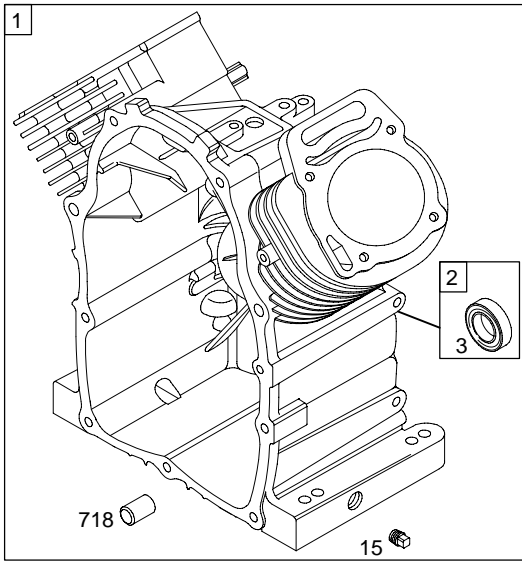
Air Cleaner	7
Alternator	12
Blower Housing	10
Camshaft	2
Carburetor	6
Controls	8
Crankcase Cover	4
Crankshaft	2
Cylinder	2
Cylinder Heads	3
Electric Starter	13
Flywheel	11
Gasket Set - Engine	7
Gasket Set - Valve	6
Governor Spring	8
Ignition	12
Intake Manifold	4
Lubrication	5
Piston, Rings, Connecting Rod	2
Shrouds	9
Valves	3



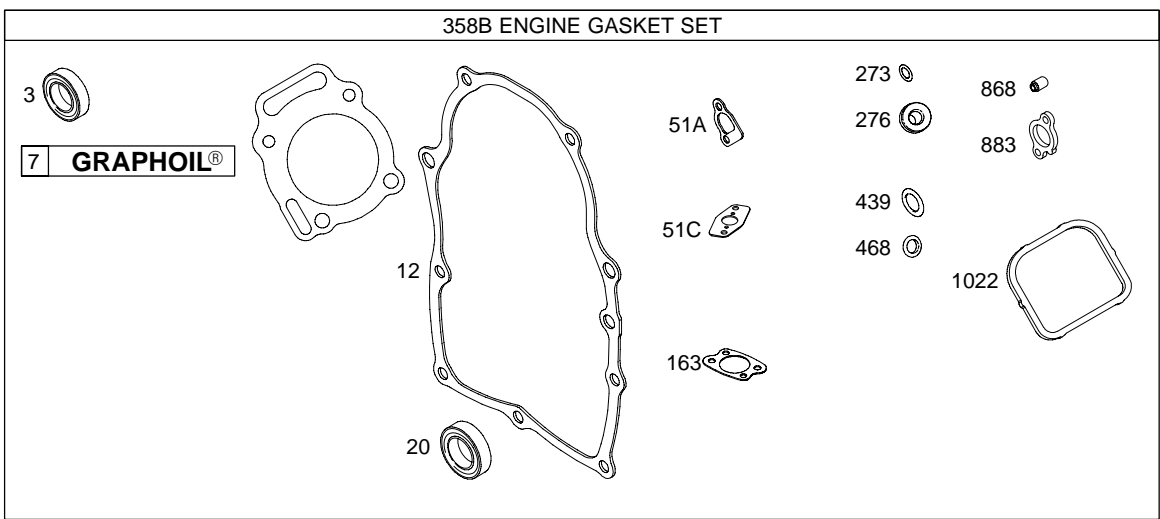
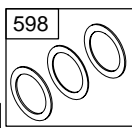
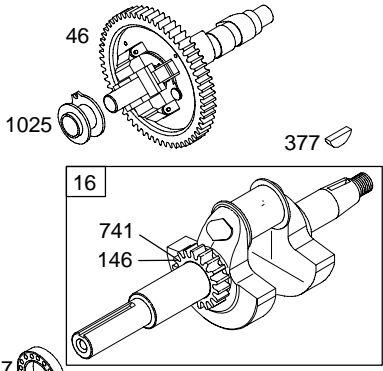
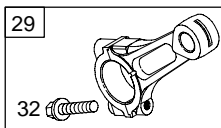
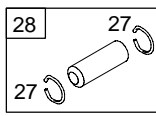
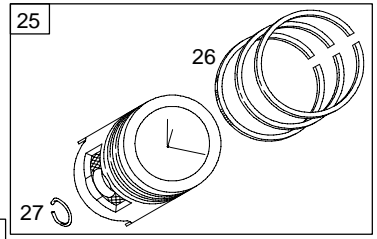
PRINTED IN U.S.A.

COPYRIGHT by BRIGGS & STRATTON CORPORATION
All rights reserved. No part of this material may be reproduced or transmitted, in any form or by any means, electronic or mechanical, including photocopying, recording or by any information storage and retrieval system, without permission in writing from Briggs & Stratton Corporation.

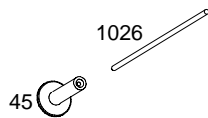
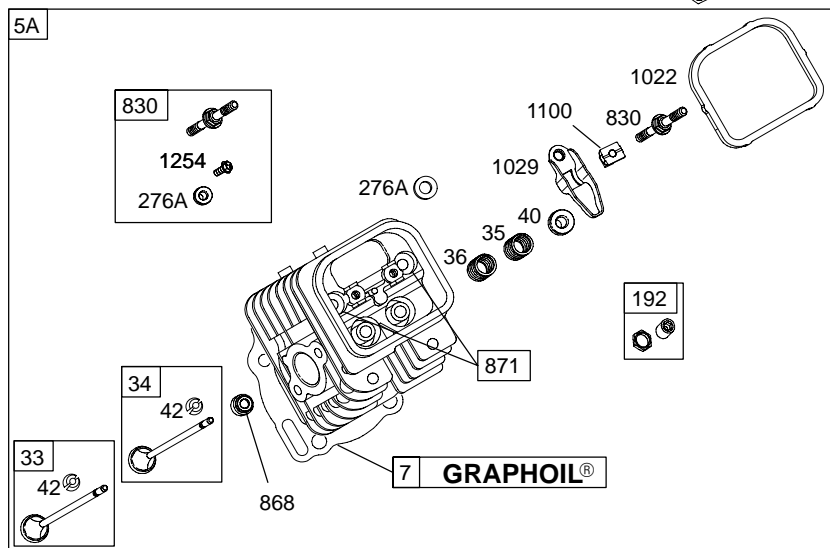
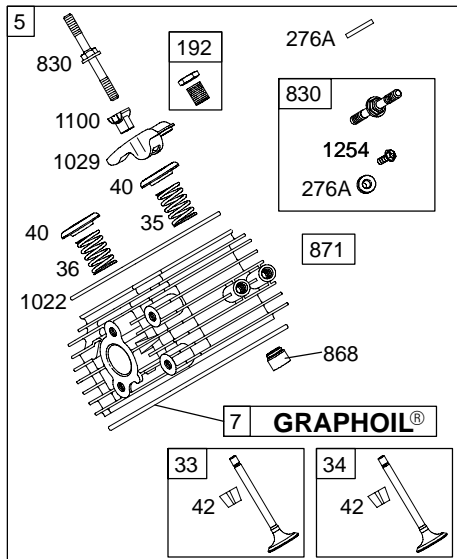
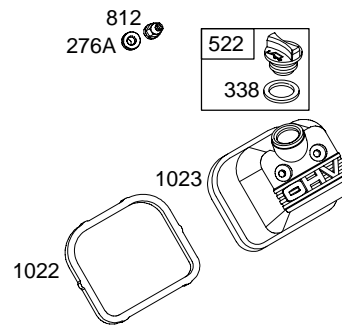
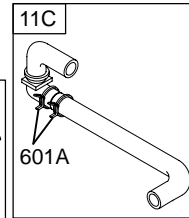
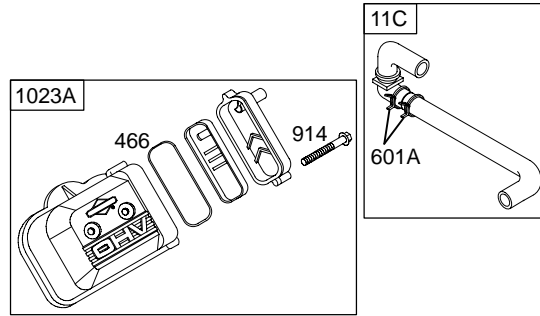
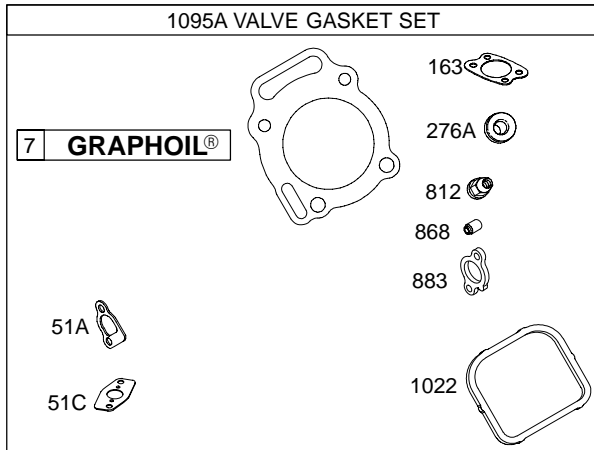
384400



- 1019 LABEL KIT
- 1058 OPERATOR'S MANUAL
- 1330 REPAIR MANUAL

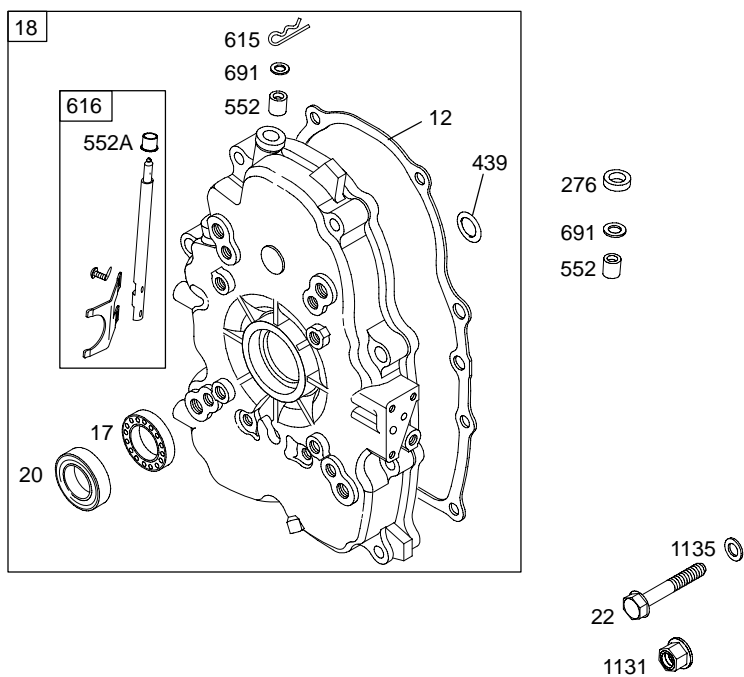
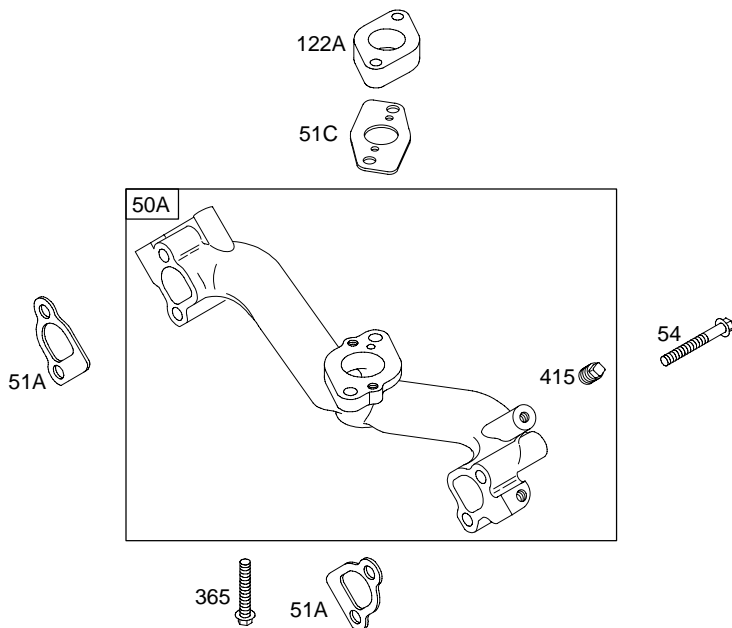


Illustrations cover a range of engines. Parts shown without corresponding text may not be used on your specific engine.
 6652-2 Assemblies include all parts shown in frames. 08/08/2005

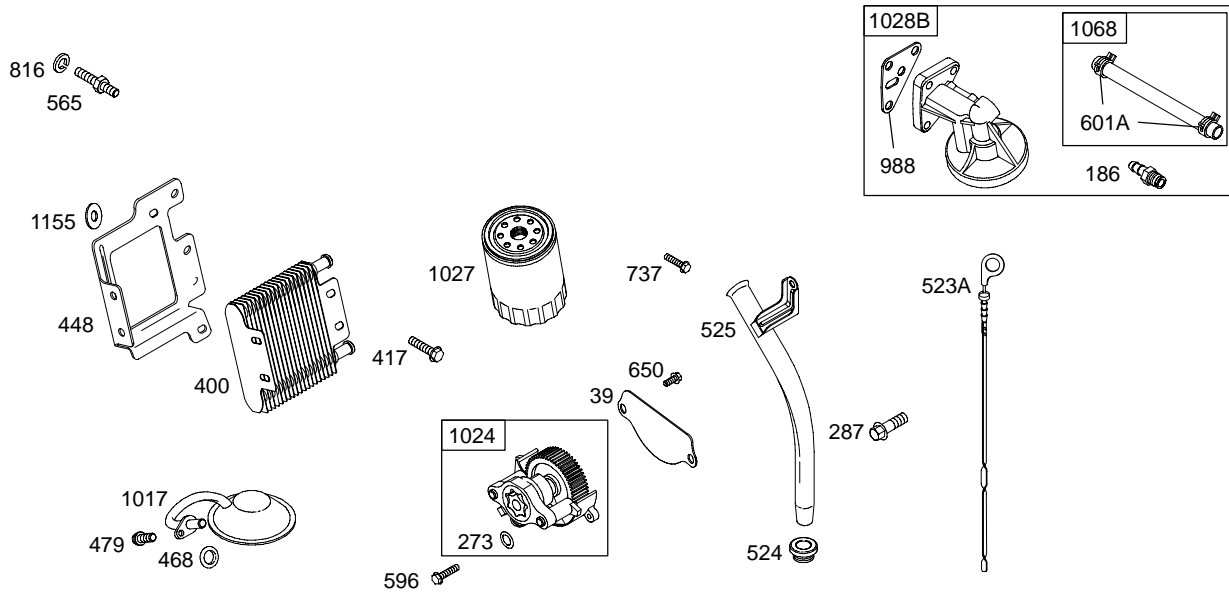


Illustrations cover a range of engines. Parts shown without corresponding text may not be used on your specific engine.
 6652-3 Assemblies include all parts shown in frames. 08/08/2005

384400

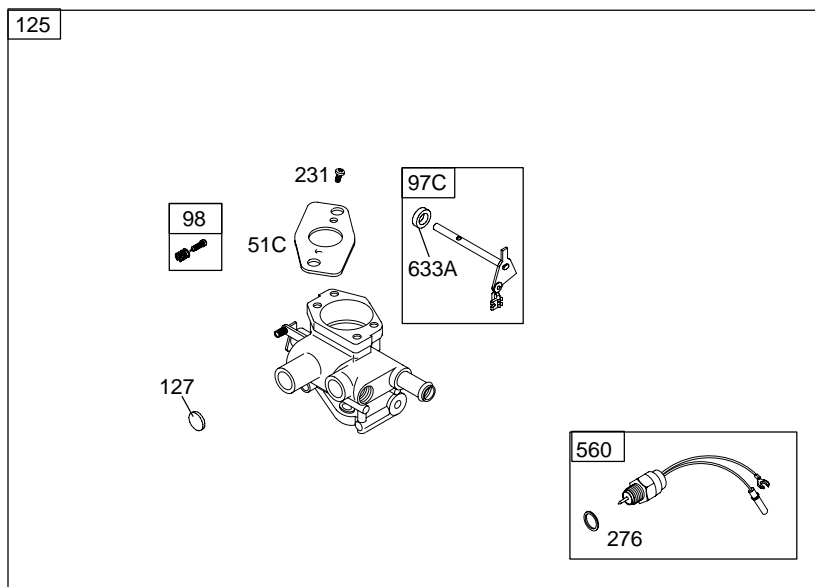
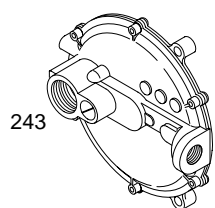


6652-4 *Illustrations cover a range of engines. Parts shown without corresponding text may not be used on your specific engine.* Assemblies include all parts shown in frames. 08/08/2005



6652-5 *Illustrations cover a range of engines. Parts shown without corresponding text may not be used on your specific engine.* Assemblies include all parts shown in frames. 08/08/2005

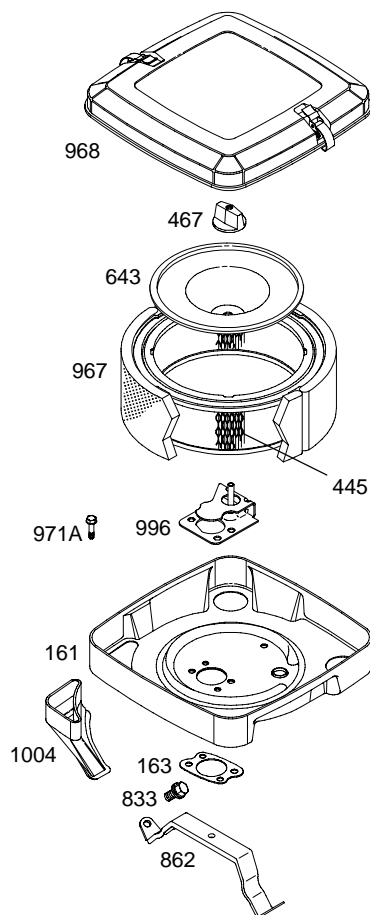
384400



127A

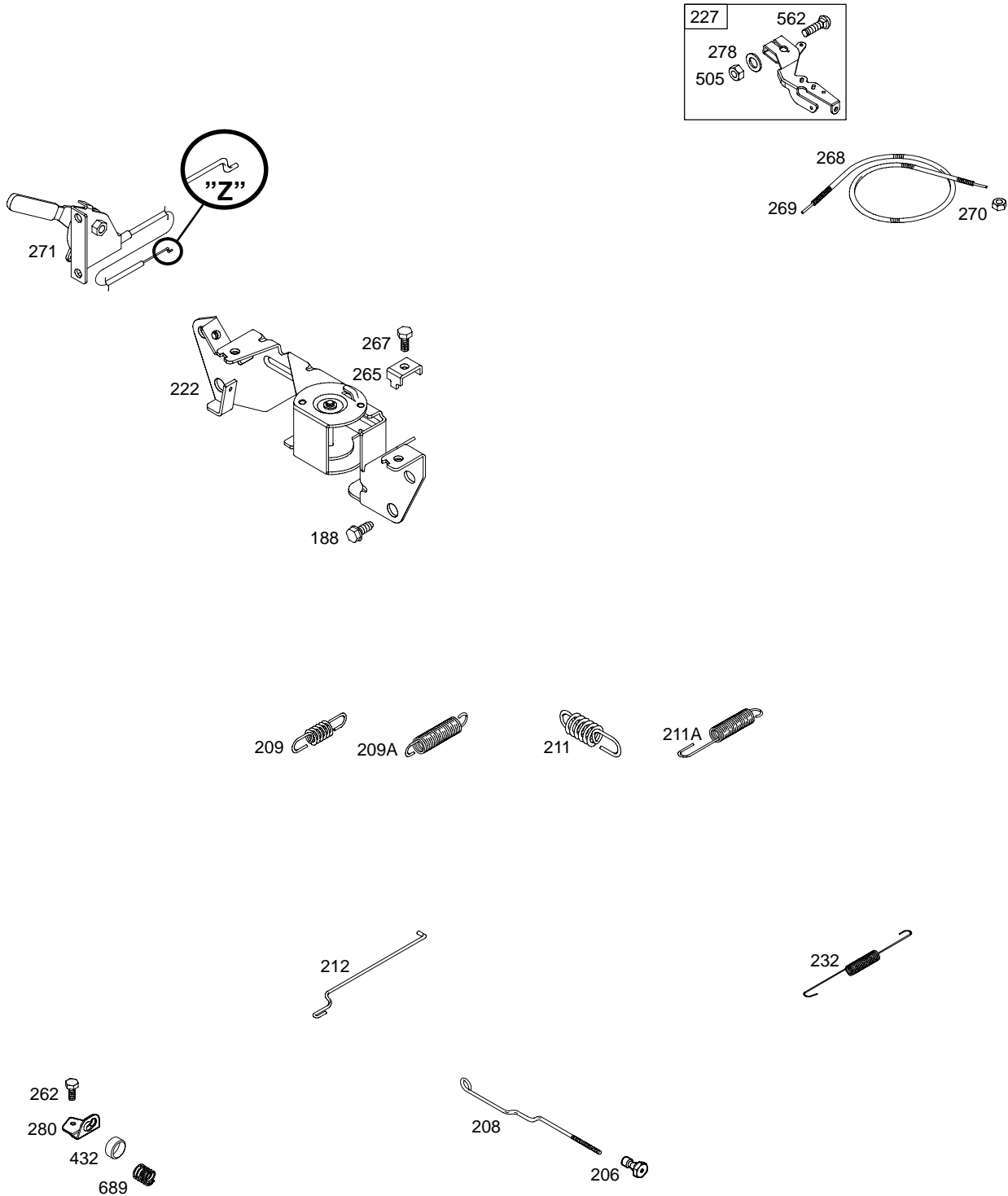
6652-6 *Illustrations cover a range of engines. Parts shown without corresponding text may not be used on your specific engine.* Assemblies include all parts shown in frames.

08/08/2005

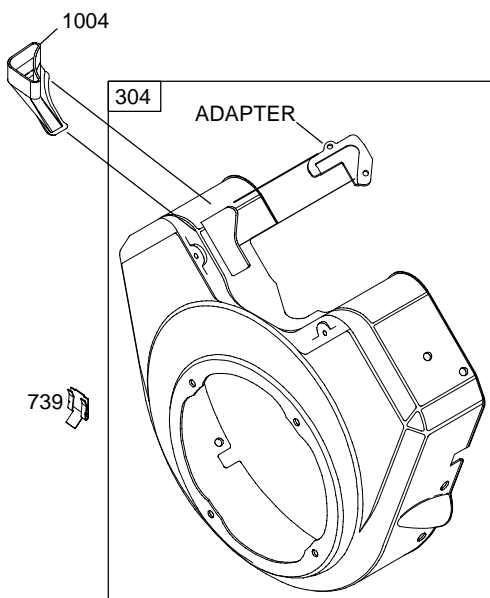
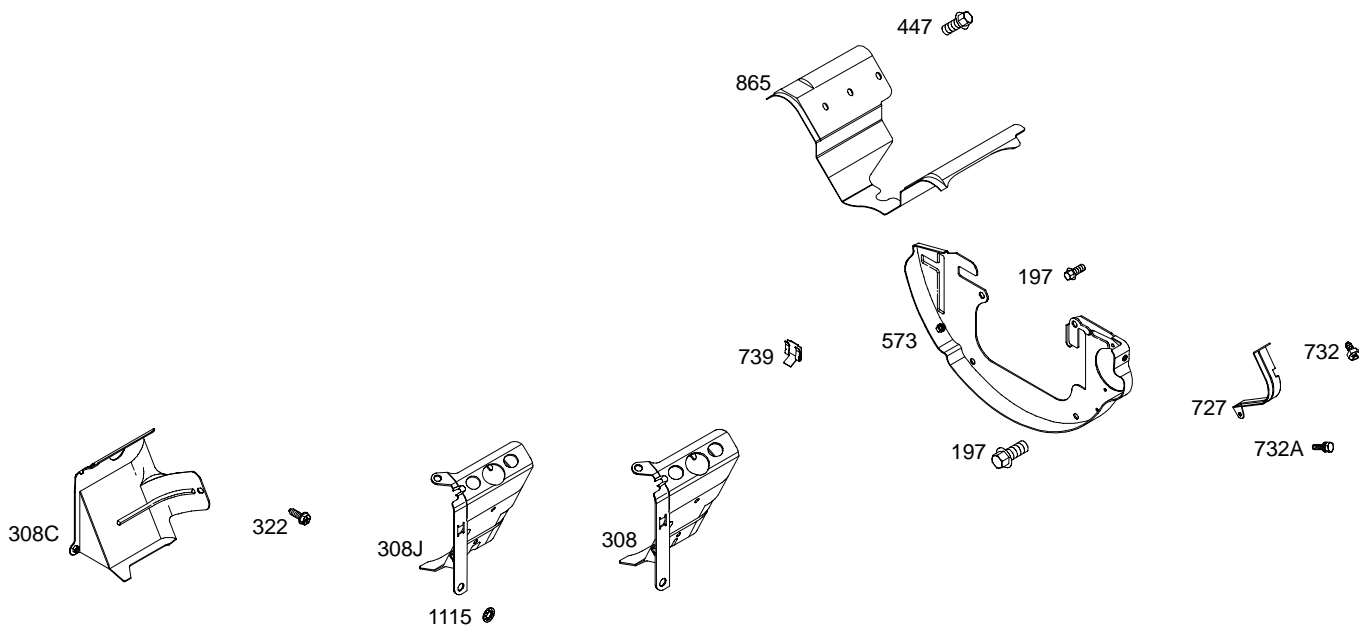


Illustrations cover a range of engines. Parts shown without corresponding text may not be used on your specific engine.
6652-7 Assemblies include all parts shown in frames. 08/08/2005

384400

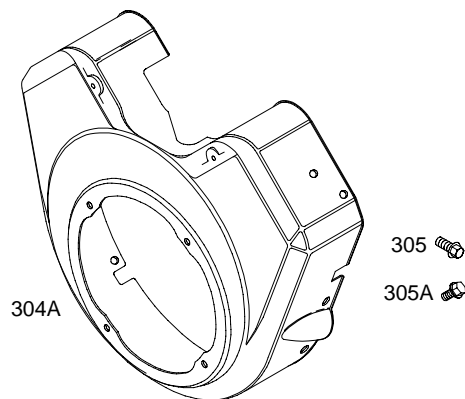


Illustrations cover a range of engines. Parts shown without corresponding text may not be used on your specific engine.
6652-8 Assemblies include all parts shown in frames. 08/08/2005



305A 

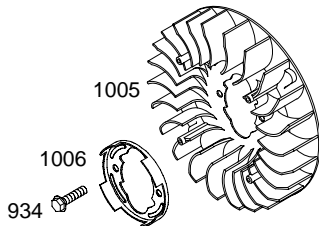
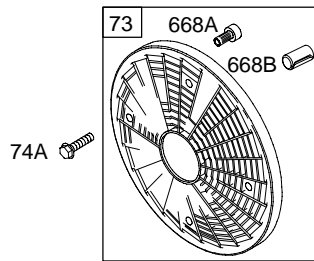
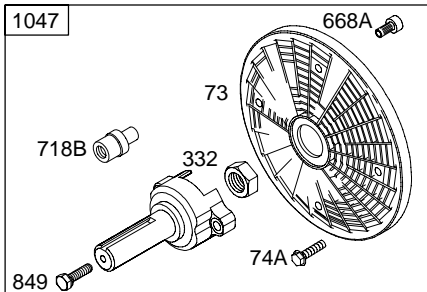
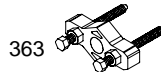
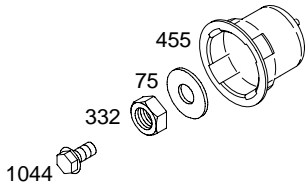
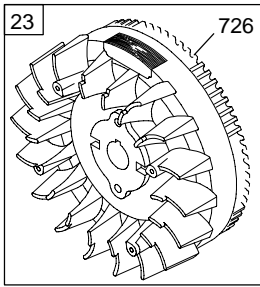
305 



1036 EMISSION LABEL


6652-9 *Illustrations cover a range of engines. Parts shown without corresponding text may not be used on your specific engine.* Assemblies include all parts shown in frames. 08/08/2005

384400

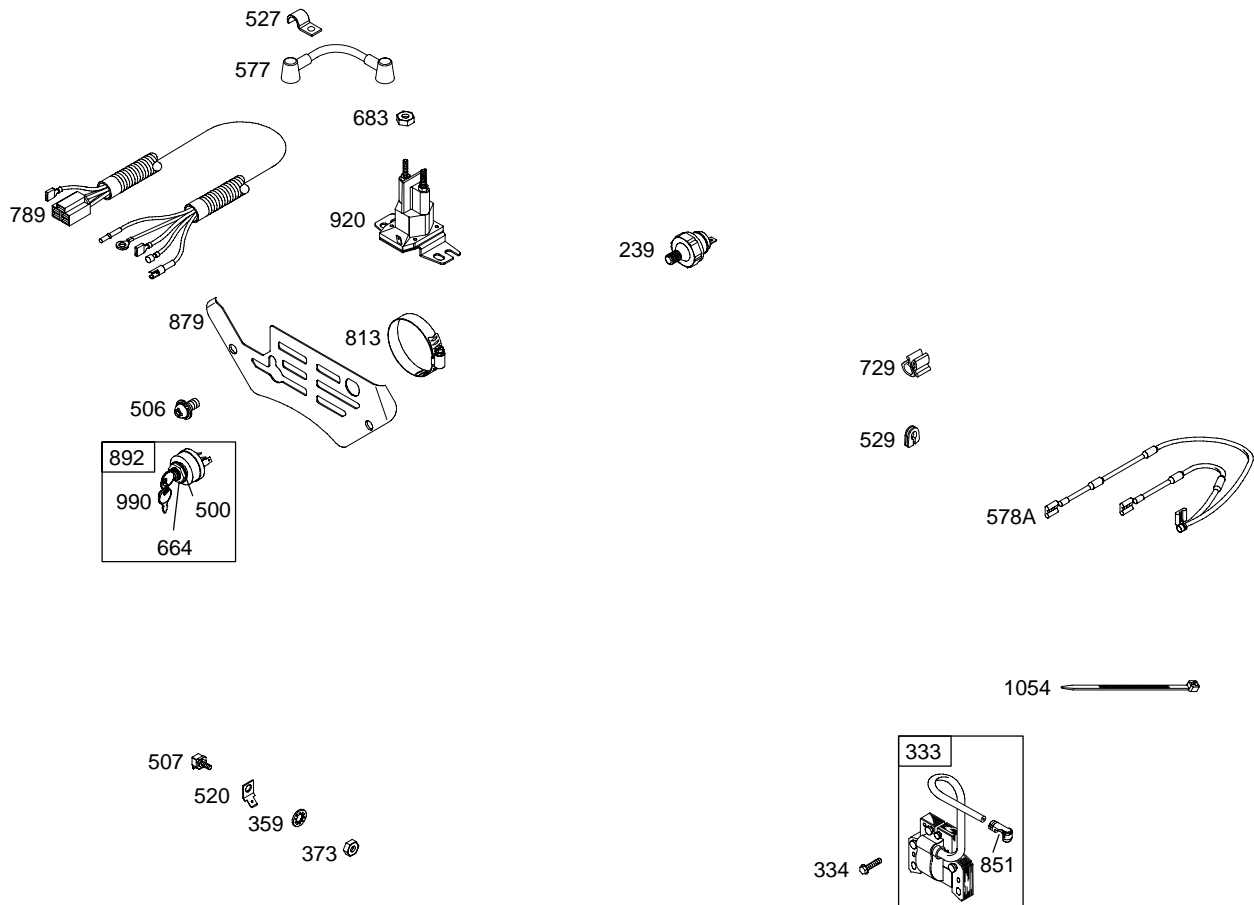


Illustrations cover a range of engines. Parts shown without corresponding text may not be used on your specific engine.
6652-10 Assemblies include all parts shown in frames. 08/08/2005

10 AMP	16 AMP
<div data-bbox="998 304 1193 514"> </div>	<div data-bbox="1209 304 1404 514"> </div>
<div data-bbox="998 525 1193 703"> </div>	<div data-bbox="1209 525 1404 703"> </div>
<div data-bbox="1128 724 1274 808"> </div>	

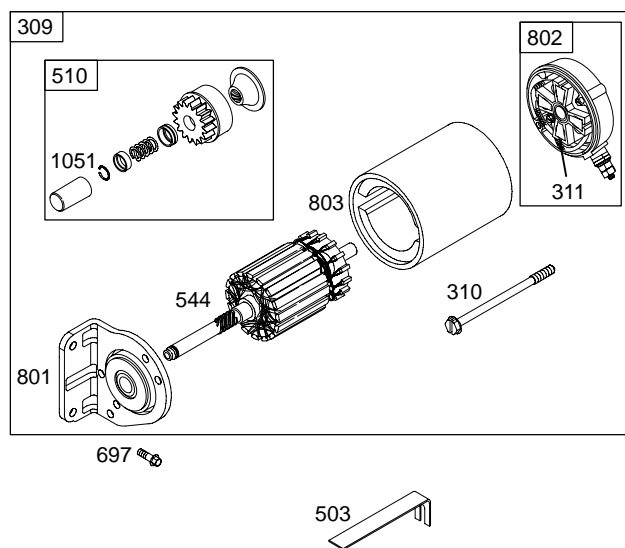
NOTE: All stators use a No. 1119 mounting screw. 

NOTE: The proper flywheel part number and/or the alternator magnet size will determine the alternator type or output. See repair instruction manual for additional information.



Illustrations cover a range of engines. Parts shown without corresponding text may not be used on your specific engine.
 6652-11 Assemblies include all parts shown in frames. 08/08/2005

384400



Illustrations cover a range of engines. Parts shown without corresponding text may not be used on your specific engine.

6652-12

Assemblies include all parts shown in frames.

08/08/2005

384400

REF. NO.	PART NO.	DESCRIPTION	REF. NO.	PART NO.	DESCRIPTION	REF. NO.	PART NO.	DESCRIPTION
1	842684	Cylinder Assembly (Used After Code Date 05080100). ----- Note ----- 809072 Cylinder Assembly (Used Before Code Date 05080200).	25	808527	Piston Assembly (Standard) ----- Note ----- 808652 Piston Assembly (.020" Oversize)	163	★692081	Gasket-Air Cleaner
2	808534	Kit-Bushing/Seal (Magneto Side)	26	808528	Ring Set (Standard) ----- Note ----- 808661 Ring Set (.020" Oversize)	186	693184	Connector-Hose
3	★805101	Seal-Oil (Magneto Side)	27	806378	Lock-Piston Pin	188	692062	Screw (Control Bracket)
5	842661	Head-Cylinder (Cylinder 1)	28	808526	Pin-Piston	192	807623	Adjuster-Rocker Arm
5A	842660	Head-Cylinder (Cylinder 2)	29	808646	Rod-Connecting	197	690677	Screw (Back Plate)
7	★Δ842622	Gasket-Cylinder Head	32	690698	Screw (Connecting Rod)	206	691244	Nut-Governor Adjusting
11C	808686	Tube-Breather	33	809069	Valve-Exhaust	208	691549	Rod-Governor Control
12	★842589	Gasket-Crankcase	34	806420	Valve-Intake	209	691546	Spring-Governor Used on Type No(s). 0111, 0112.
13	842618	Screw (Cylinder Head) (Used After Code Date 05080100). ----- Note ----- 692059 Screw (Cylinder Head) (Used Before Code Date 05080200).	35	692084	Spring-Valve (Intake)	209A	690709	Spring-Governor Used on Type No(s). 0113.
15	690946	Plug-Oil Drain	36	692084	Spring-Valve (Exhaust)	211	690707	Spring-Governed Idle Used on Type No(s). 0111, 0112. ----- Note ----- 690707 Spring-Governed Idle (Used Before Code Date 05020500). Used on Type No(s). 0113.
16	809813	Crankshaft ----- Note ----- 692173 Crankshaft (Used Before Code Date 03050100). Used on Type No(s). 0111.	39	690745	Deflector-Oil	211A	691504	Spring-Governed Idle (Used After Code Date 05020400). Used on Type No(s). 0113.
17	690752	Bearing-Ball	40	692058	Retainer-Valve	212	690712	Link-Throttle
18	808849	Cover-Crankcase	42	807683	Keeper-Valve	222	808454	Bracket-Control
20	★805049	Seal-Oil (PTO Side)	45	690977	Tappet-Valve	227	690236	Lever-Governor Control
22	807362	Screw (Crankcase Cover/Sump)	46	690927	Camshaft	231	690718	Screw (Choke Valve)
23	808768	Flywheel (Steel Ring Gear) ----- Note ----- 808776 Flywheel Used on Type No(s). 0112.	50A	809067	Manifold-Intake	232	692073	Spring-Governor Link
			51A	Δ★692035	Gasket-Intake (Manifold to Head)	239	690233	Switch-Oil Pressure Regulator-Fuel (Supplied by Equipment Manufacturer)
			51C	Δ★806457	Gasket-Intake (Manifold To Carburetor)	243		
			54	806444	Screw (Intake Manifold)	262	692083	Screw (Rod Bracket)
			73	494439	Screen-Rotating	265	691024	Clamp-Casing
			74A	691647	Screw (Rotating Screen)	267	692083	Screw (Casing Clamp)
			75	691490	Washer (Flywheel)			
			97C	808397	Shaft-Throttle			
			98	808177	Kit-Idle Speed			
			122A	690747	Spacer-Carburetor			
			125	809068	Carburetor			
			127	806460	Plug-Welch			
			127A	694916	Plug-Welch			
			146	691639	Key-Timing			
			161	691561	Base-Air Cleaner (Metal)			

★ Included in Engine Gasket Set-Ref. No. 358.

Δ Included in Valve Gasket Set-Ref. No. 1095A.

Illustrations cover a range of engines. Parts shown without corresponding text may not be used on your specific engine.
6652-13 Assemblies include all parts shown in frames. 08/08/2005

384400

REF. NO.	PART NO.	DESCRIPTION	REF. NO.	PART NO.	DESCRIPTION	REF. NO.	PART NO.	DESCRIPTION
268	691025	Casing-Control Wire	311	496887	Brush Set	479	807084	Screw
269	691026	Wire-Control	322	841233	Screw			(Oil Pump Screen)
270	691027	Nut			(Cylinder Head Cover)	500	691086	Washer
		(Control Wire Casing)	332	690887	Nut			(Key Switch)
271	691028	Lever-Control			(Flywheel)	501	691185	Regulator
273	★690681	Seal-O Ring	333	492341	Armature-Magneto			(10-16 Amp
		(Oil Pump)	334	692066	Screw			Regulated)
276	690704	Washer-Sealing			(Magneto Armature)	503	691532	Strap-Starter
		(Governor Crank)	337	491055	Plug-Spark	505	690238	Nut
276A	★△807085	Washer-Sealing	338	691312	Gasket-Dipstick			(Governor Control
		(Rocker Cover)			(Intake Manifold)			Lever)
		(Used After Code Date	358B	809075	Gasket Set-Engine	506	690677	Screw
		01120200).	359	691077	Washer			(Carburetor Cover)
		----- Note -----			(Ground Terminal)	507	691972	Insulator
	691766	Washer-	363	19203	Puller-Flywheel	510	496881	Drive-Starter
		Sealing	365	690711	Screw			(Services Aluminum
		(Rocker Cover)			(Carburetor)			Ring Gear Only)
		(Used Before Code	373	691612	Nut	520	691084	Terminal-Ground
		Date 01120300).			(Ground Terminal)	522	491832	Plug-Dipstick/Fill
278	842122	Washer	377	808095	Key-Woodruff	523A	693175	Dipstick
		(Governor Control	383	19374	Wrench-Spark Plug	524	693172	Seal-Dipstick Tube
		Lever)	400	808657	Cooler-Oil	525	693174	Tube-Dipstick
280	691526	Bracket-Rod	415	690283	Plug	526	692067	Screw
287	692062	Screw	417	810074	Screw			(Regulator)
		(Dipstick Tube)			(Oil Cooler)			(10-16 Amp
304	809099	Housing-Blower	432	691509	Cap-Spring			Regulated)
		(Black)	439	★692154	Seal-O Ring	527	690423	Clamp-Tube
304A	809098	Housing-Blower			(Crankcase	529	690744	Grommet
		(Red)			Cover/Sump)	544	690855	Armature-Starter
		Used on Type No(s).	445	841359	Filter-Air Cleaner	552	690701	Bushing-Governor
		0113.			Cartridge			Crank
305	692056	Screw			(Used After Code Date	552A	806686	Bushing-Governor
		(Blower Housing)			04022900).			Crank
305A	692062	Screw			----- Note -----			(Flanged)
		(Blower Housing)			394018 Filter-Air	560	808693	Switch-LP/NG Fuel
308	841232	Cover-Cylinder Head			Cleaner Cartridge	562	690239	Bolt
		(Cylinder 1)			(Used Before Code			(Governor Control
		(Used After Code Date	447	841233	Date 04030100).			Lever)
		03103100).			Screw	565	690682	Stud
308C	806546	Cover-Cylinder Head			(Air Guide Cover)			(Oil Filter Adapter)
		(Cylinder 1)	448	806423	Bracket-Oil Cooler	573	841310	Plate-Back
		(Used Before Code	455	690864	Cup-Flywheel	577	690795	Cable-Starter
		Date 03110100).	466	806466	Seal-O Ring	578	692306	Wire Assembly
308J	841182	Cover-Cylinder Head			(Breather Assembly)	578A	692319	Wire Assembly
		(Cylinder 2)	467	691985	Knob-Air Cleaner			
309	691564	Motor-Starter	468	★690690	Seal-O Ring			
		(Steel Ring Gear Only)			(Oil Pump Screen)			
310	496880	Screw	474D	696458	Alternator			
		(Starter Motor)			(10-16 Amp			
		(4 1/4" Long)			Regulated)			

★ Included in Engine Gasket Set-Ref. No. 358.

△ Included in Valve Gasket Set-Ref. No. 1095A.

Illustrations cover a range of engines. Parts shown without corresponding text may not be used on your specific engine.
 6652-14 Assemblies include all parts shown in frames. 08/08/2005

384400

REF. NO.	PART NO.	DESCRIPTION	REF. NO.	PART NO.	DESCRIPTION	REF. NO.	PART NO.	DESCRIPTION
596	691492	Screw (Oil Pump)	813	690635	Clamp	1024	693185	Pump-Oil
598	807625	Shim-End Play (Crankshaft or Camshaft Bearing)	816	690706	Washer (Oil Filter Adapter)	1025	690689	Spool-Governor
601A	841502	Clamp-Hose	830	809157	Stud-Rocker Arm	1026	691836	Rod-Push (Steel)(Intake)
615	691550	Retainer-Governor Shaft	833	690872	Screw (Air Cleaner Mounting Strap/Stud)	----- Note -----		
616	806685	Crank-Governor	849	691088	Screw (Stub Shaft)	691758	Rod-Push (Aluminum)(Exhaust)	
633A	695414	Seal-Choke/Throttle Shaft	851	493880	Terminal-Spark Plug	1027	492932	Filter-Oil
635	692076	Boot-Spark Plug	862	692153	Strap/Stud-Air Cleaner Mounting	1028B	808537	Adapter-Oil Filter
643	692079	Retainer-Air Filter	865	841312	Cover-Air Guide	1029	807323	Arm-Rocker
650	841233	Screw (Oil Deflector)	868	★△691963	Seal-Valve	1036	809076	Label-Emissions
664	691087	Nut (Key Switch)	871	692057	Bushing-Valve Guide	1044	692056	Screw (Flywheel)
668A	691500	Spacer	877C	399916	Wire/Connector- Alternator	1047	841580	Shaft-Stub
668B	691215	Spacer			(2 Wires, 7-53/64" Long)(2 Bare Wire Ends, And Insulated Snap Connect Male Pin Terminal)	1051	691124	Ring-Retaining
683	691029	Nut (Starter Solenoid)	879	806648	Cover-Carburetor	1054	280275	Tie-Cable
689	691272	Spring-Friction	883	★△806425	Gasket-Exhaust	1058	276343	Operator's Manual
691	690680	Seal-Governor Shaft	892	692318	Switch-Key	1068	841999	Hose/Clamp Assembly
697	692062	Screw (Drive Cap)	914	806421	Screw (Rocker Cover)	1095A	809074	Gasket Set-Valve
718	806469	Pin-Locating	920	691656	Solenoid-Starter	1100	690973	Pivot-Rocker Arm
718B	690740	Pin-Locating	934	691058	Screw (Fan Retainer)	1115	691551	Washer (Radiator Support) (Used Before Code Date 03110100).
726		Gear-Ring (Steel) (See Reference 23 for Service)	967	272490	Filter-Pre Cleaner	1119	691552	Screw (Alternator)
727	841313	Cover-Starter Drive	968	699959	Cover-Air Cleaner	1131	842067	Nut (Crankcase Cover/Sump)
729	690586	Clip-Wire	971A	692537	Screw (Air Cleaner Base to Carburetor)	1133	690342	Screw (Crankshaft)
732	690688	Screw (Starter Drive Cover)	988	692063	Gasket-Oil Adapter	1135	806497	Washer (Crankcase Cover/Sump)
732A	841233	Screw (Starter Drive Cover)	990	691959	Key Set	1155	806647	Washer (Oil Cooler)
737	690679	Screw (Oil Filter Adapter)	996	691577	Shield-Carburetor	1254	807084	Screw (Rocker Cover Stud) (Used After Code Date 01120200).
739	690451	Clip-Debris	1004	690743	Duct-Air	1330	272144	Repair Manual
741	691530	Gear-Timing	1005	690911	Fan-Flywheel			
789	691996	Harness-Wiring	1006	690452	Retainer-Fan			
801	808778	Cap-Drive	1017	690900	Screen-Oil Pump			
802	496813	Cap-End	1019	809073	Kit-Label			
803	690854	Housing-Starter	1022	★△806039	Gasket-Rocker Cover			
812	△692055	Nut (Rocker Cover) (Used Before Code Date 01120300).	1023	690758	Cover-Rocker			
			1023A	808648	Cover-Rocker (Includes Breather Assembly)			

★ Included in Engine Gasket Set-Ref. No. 358.

△ Included in Valve Gasket Set-Ref. No. 1095A.

Illustrations cover a range of engines. Parts shown without corresponding text may not be used on your specific engine.
6652-15 Assemblies include all parts shown in frames. 08/08/2005