



358700

Illustrated Parts List

Model Series

358700

TYPE NUMBERS
0036 through 0280.

TABLE OF CONTENTS

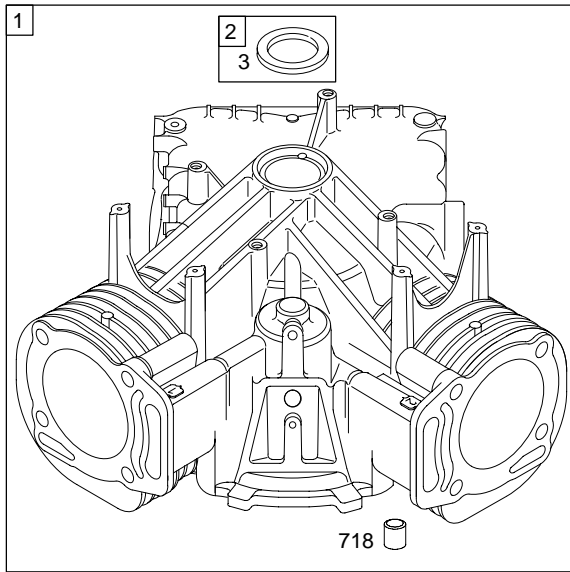
Air Cleaner	7
Alternator	6
Blower Housing	9
Camshaft	3
Carburetor	4
Controls	6
Crankshaft	3
Cylinder	2
Cylinder Head	5
Electric Starter	10
Engine Sump	2
Flywheel	8
Fuel Supply	3
Gasket Set - Engine	2
Gasket Set - Valve	5
Governor Spring	6
Ignition	6
Intake Manifold	9
Kit - Carburetor Overhaul	4
Lubrication	11
Piston, Rings, Connecting Rod	2
Shrouds	10
Valves	5



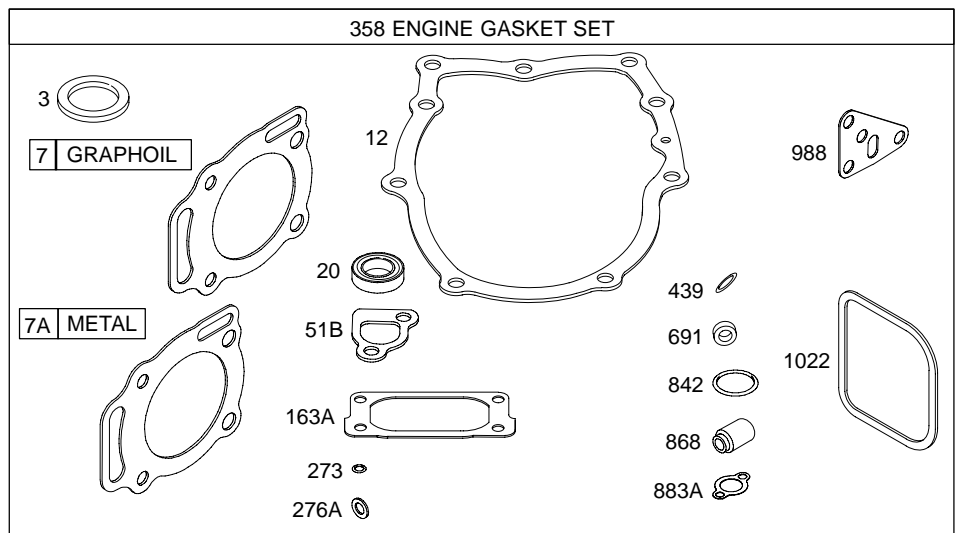
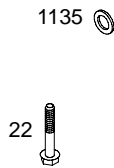
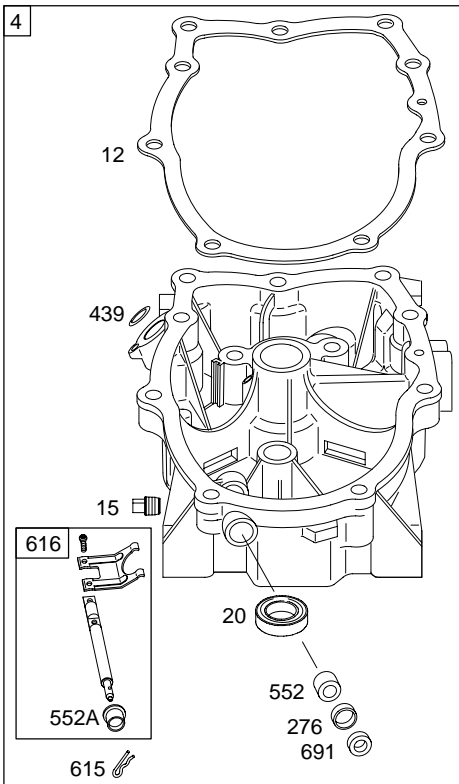
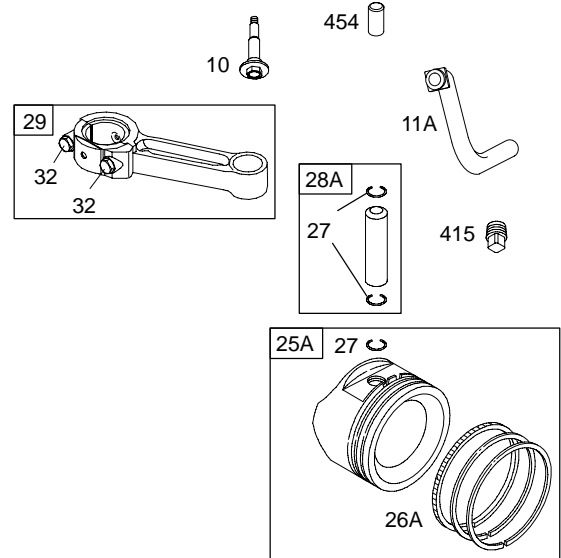
PRINTED IN U.S.A.

COPYRIGHT by BRIGGS & STRATTON CORPORATION
All rights reserved. No part of this material may be reproduced or transmitted, in any form or by any means, electronic or mechanical, including photocopying, recording or by any information storage and retrieval system, without permission in writing from Briggs & Stratton Corporation.

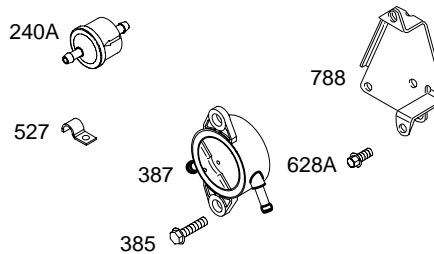
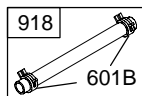
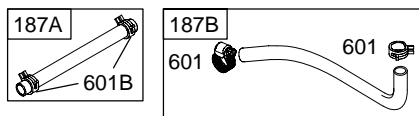
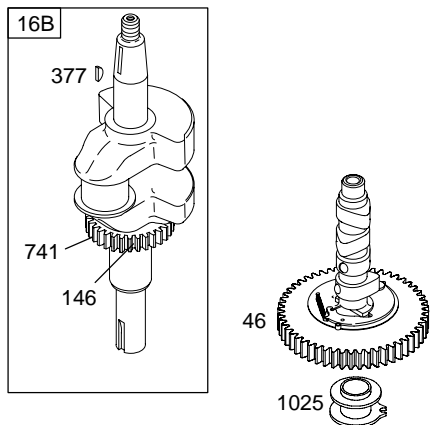
358700



- 1019 LABEL KIT
- 1058 OPERATOR'S MANUAL
- 1330 REPAIR MANUAL

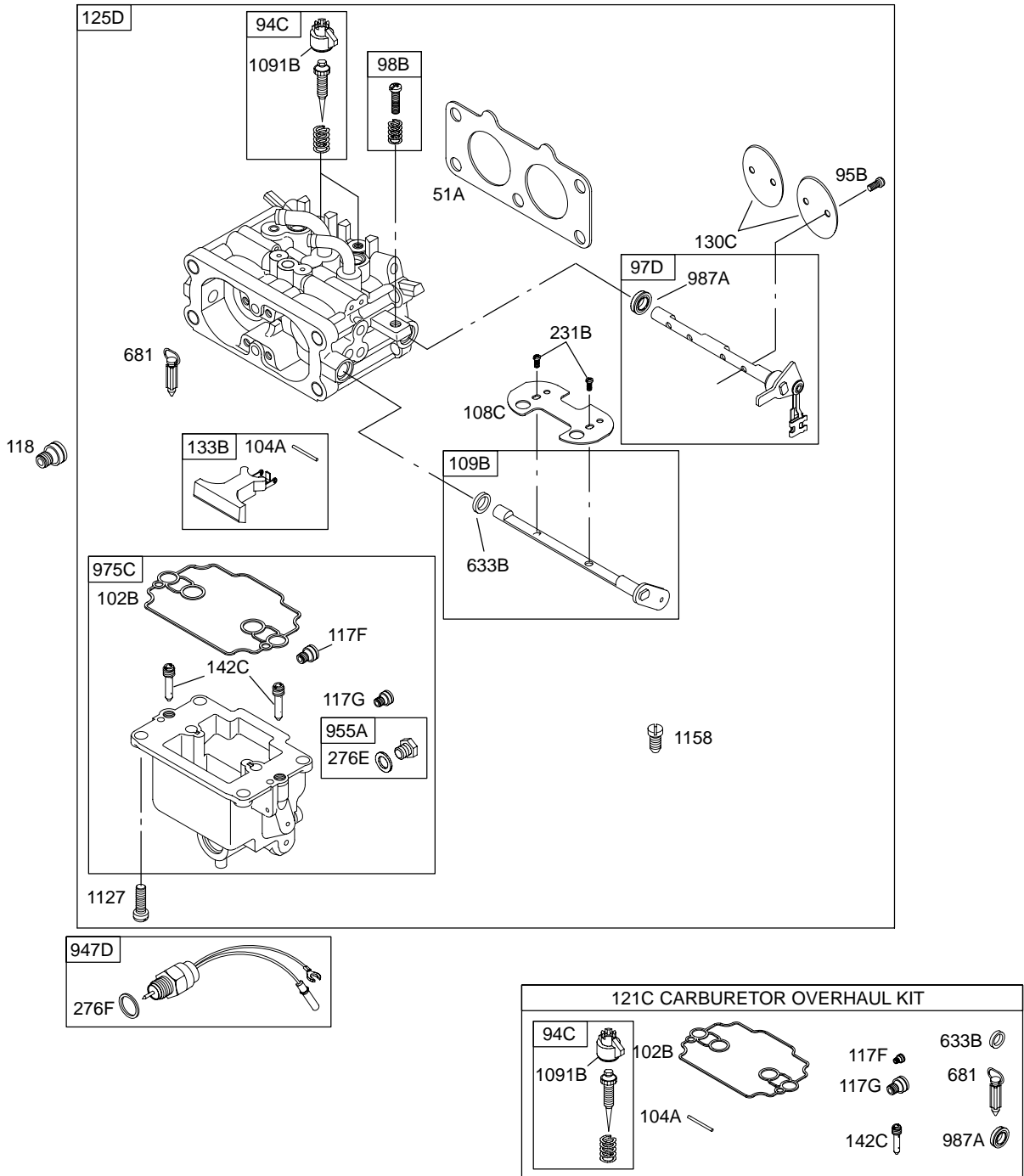


Illustrations cover a range of engines. Parts shown without corresponding text may not be used on your specific engine.
 5377-2 Assemblies include all parts shown in frames. 07/11/2005

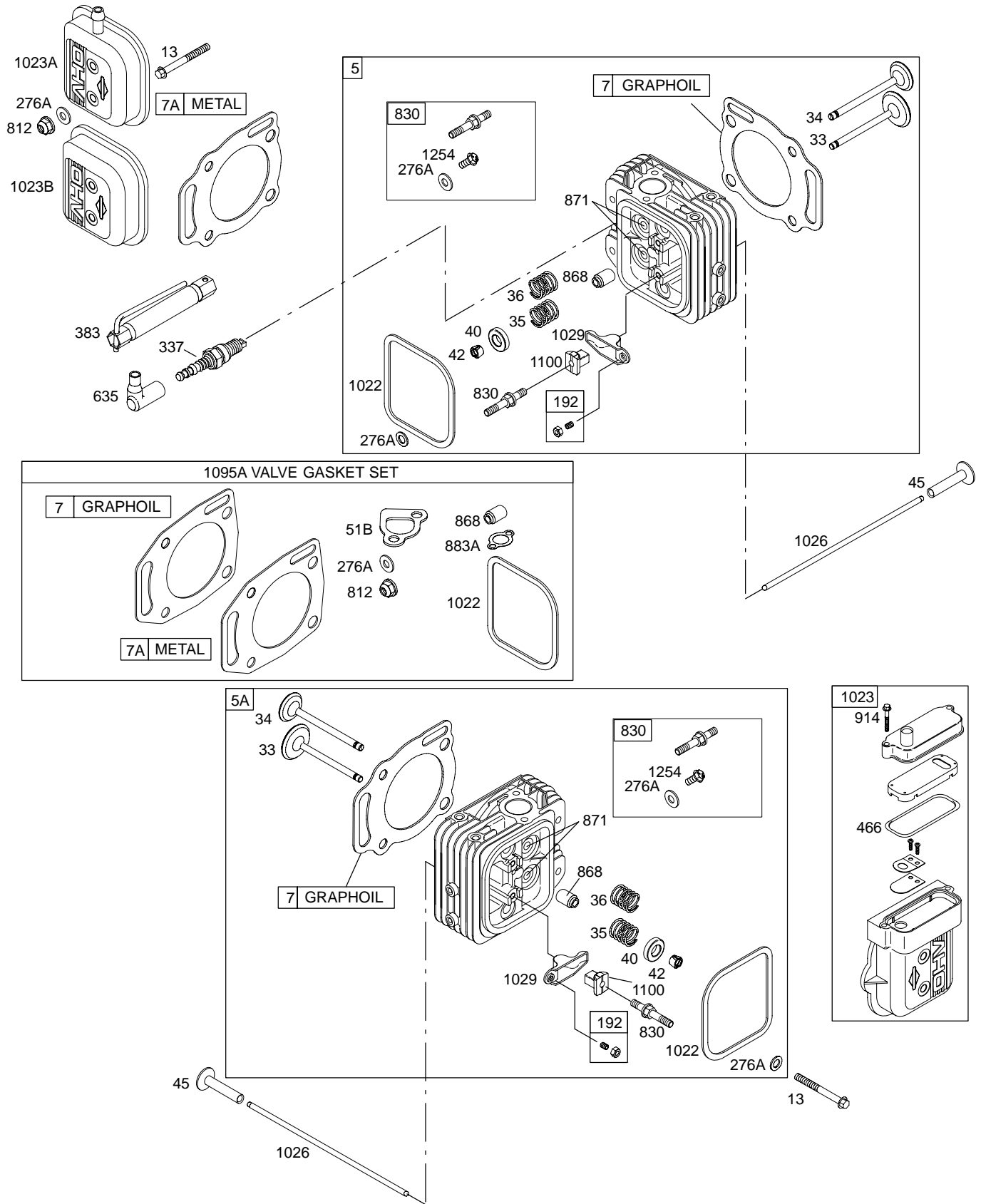


Illustrations cover a range of engines. Parts shown without corresponding text may not be used on your specific engine.
5377-3 Assemblies include all parts shown in frames. 07/11/2005

358700

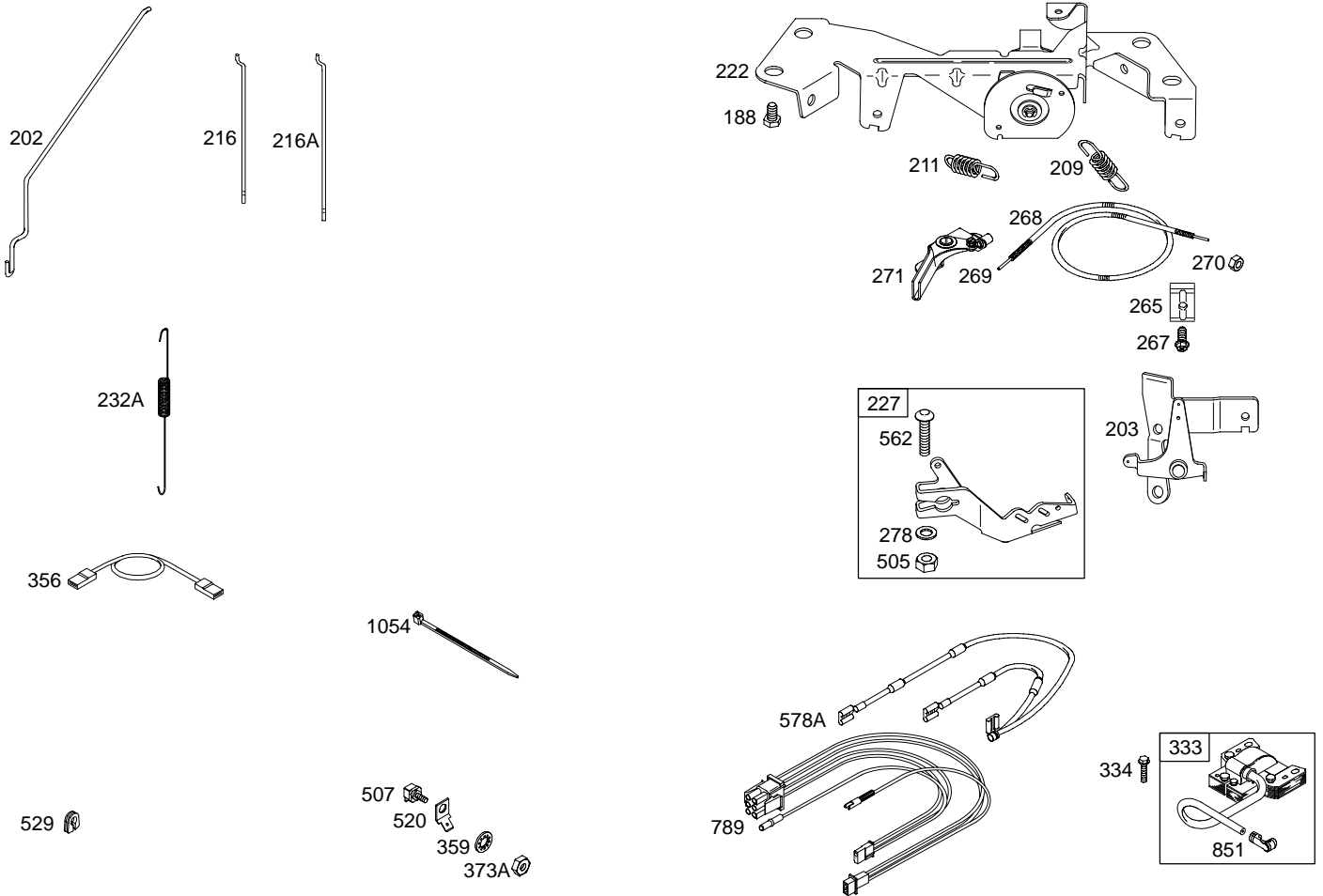


Illustrations cover a range of engines. Parts shown without corresponding text may not be used on your specific engine.
 5377-4 Assemblies include all parts shown in frames. 07/11/2005




Illustrations cover a range of engines. Parts shown without corresponding text may not be used on your specific engine.
 5377-5 Assemblies include all parts shown in frames. 07/11/2005

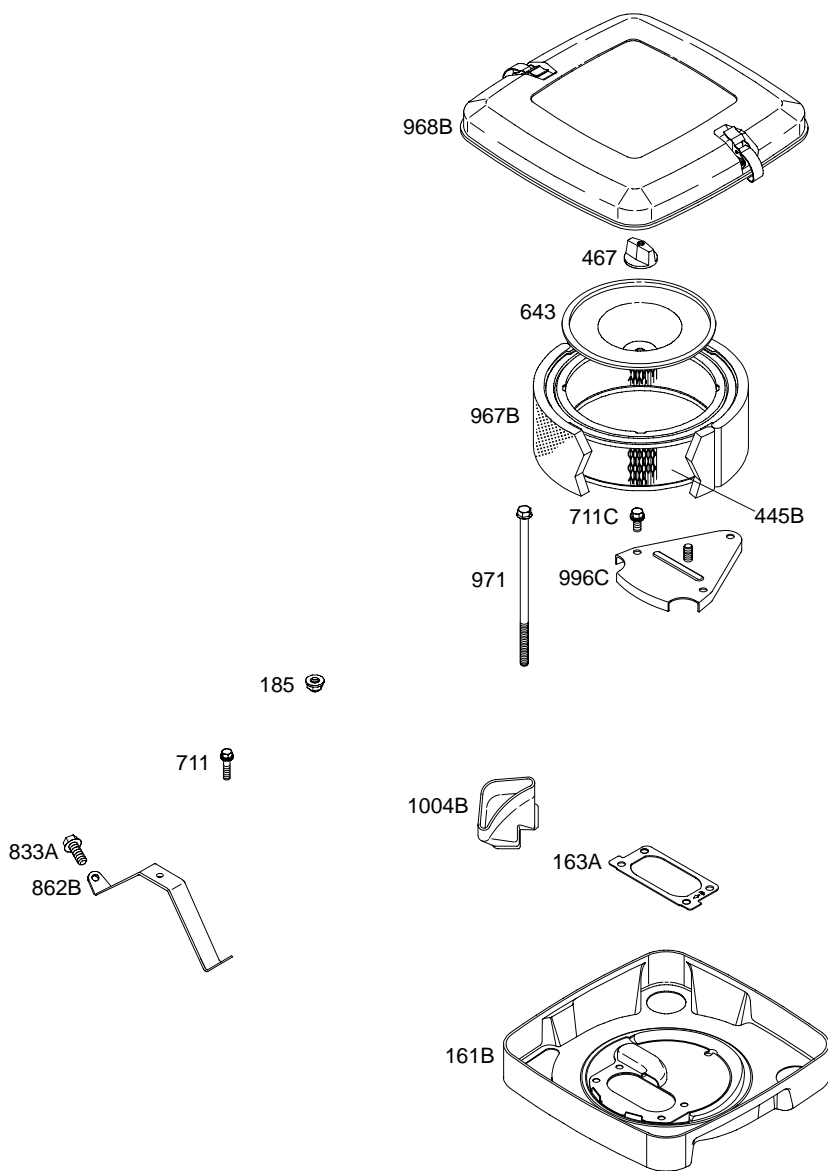
358700



10 - 16 AMP
474D
877C
578
526
501

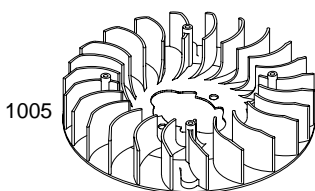
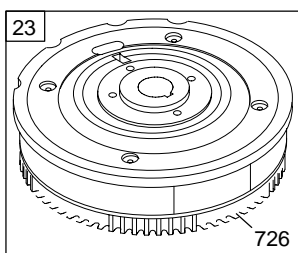
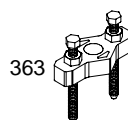
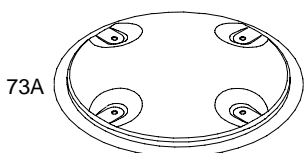
NOTE: All stators use a No. 1119 mounting screw. 

NOTE: The proper flywheel part number and/or the alternator magnet size will determine the alternator type or output. See repair instruction manual for additional information.



Illustrations cover a range of engines. Parts shown without corresponding text may not be used on your specific engine.
5377-7 Assemblies include all parts shown in frames. 07/11/2005

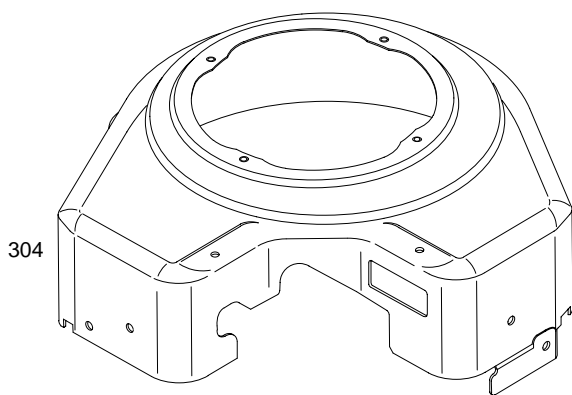
358700



5377-8 *Illustrations cover a range of engines. Parts shown without corresponding text may not be used on your specific engine.*

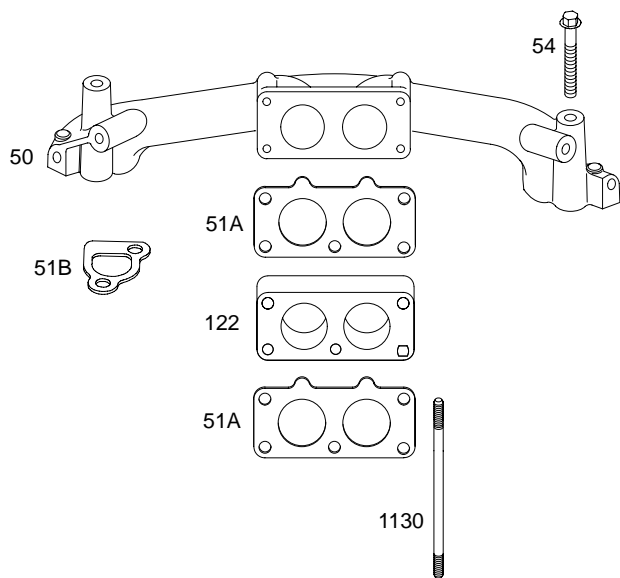
Assemblies include all parts shown in frames.

07/11/2005



729B 

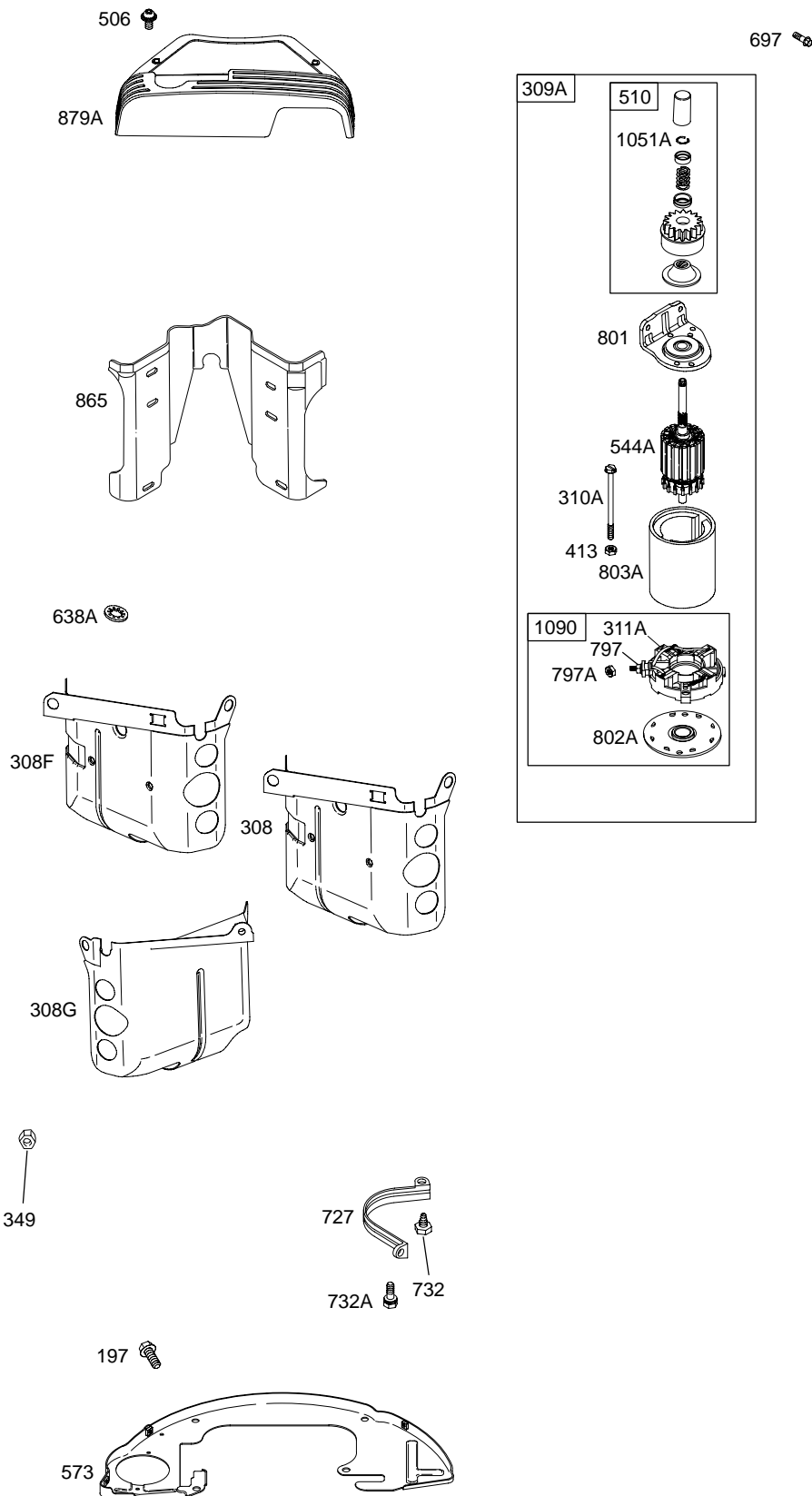
1036 EMISSION LABEL



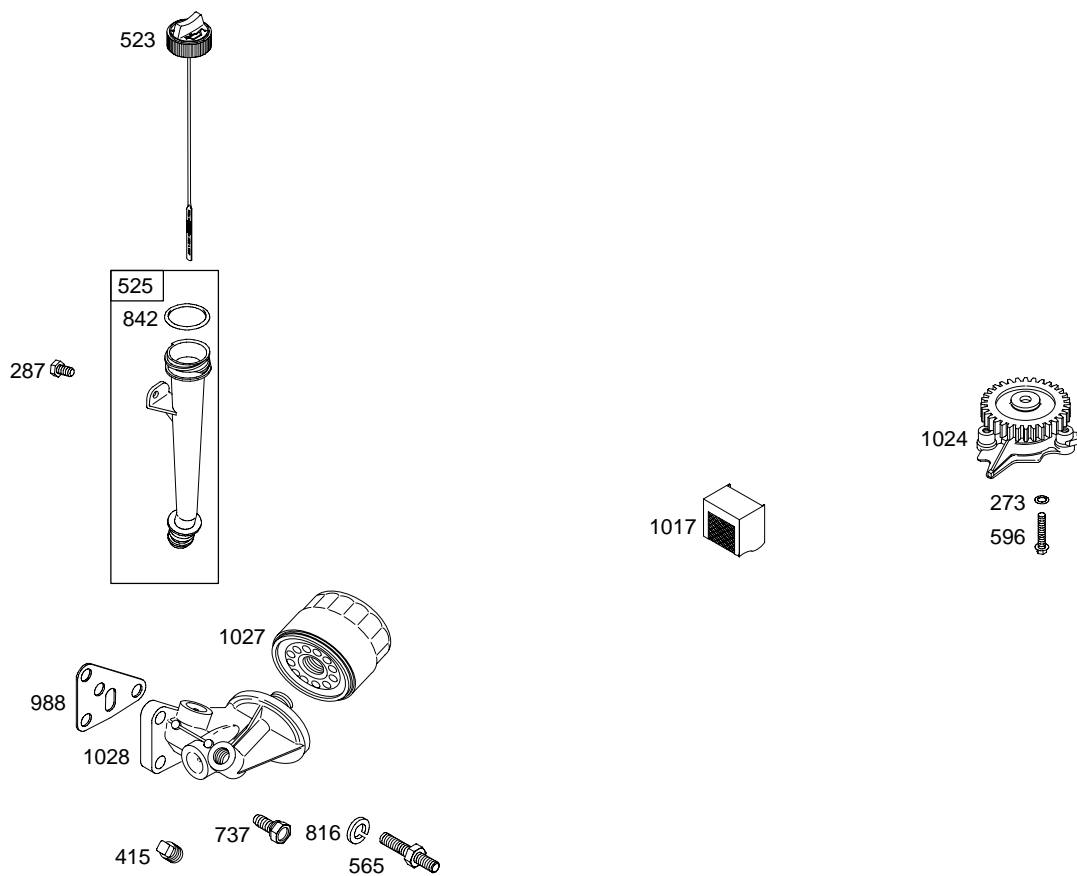
5377-9 *Illustrations cover a range of engines. Parts shown without corresponding text may not be used on your specific engine.* Assemblies include all parts shown in frames.

07/11/2005

358700



Illustrations cover a range of engines. Parts shown without corresponding text may not be used on your specific engine.



358700

REF. NO.	PART NO.	DESCRIPTION	REF. NO.	PART NO.	DESCRIPTION	REF. NO.	PART NO.	DESCRIPTION
1	692545	Cylinder Assembly	27	690683	Lock-Piston Pin	94C	●808257	Kit-Idle Mixture
2	808534	Kit-Bushing/Seal (Magneto Side)	28A	807886	Pin-Piston	95B	690718	Screw (Throttle Valve)
3	★805101	Seal-Oil (Magneto Side)	29	807900	Rod-Connecting (Standard)	97D	808715	Shaft-Throttle
4	808846	Sump-Engine			----- Note -----	98B	808177	Kit-Idle Speed
5	809185	Head-Cylinder (Cylinder 1)			807803 Rod-Connecting (.020" Undersize)	102B	●693711	Gasket-Carburetor Body
5A	809186	Head-Cylinder (Cylinder 2)	32	690698	Screw (Connecting Rod)	104A	●690882	Pin-Float Hinge
7	★Δ690888	Gasket-Cylinder Head (Graphoil)	33	807681	Valve-Exhaust	108C	690883	Valve-Choke
7A	★Δ805653	Gasket-Cylinder Head (Metal)	34	807680	Valve-Intake	109B	808181	Shaft-Choke
10	806421	Screw (Breather Assembly)	35	692084	Spring-Valve (Intake)	117F	●806374	Jet-Main (Standard) (Right or Cylinder 2)
11A	806379	Tube-Breather	36	692084	Spring-Valve (Exhaust)	117G	●842293	Jet-Main (Standard) (Left or Cylinder 1)
12	★691684	Gasket-Crankcase	40	692058	Retainer-Valve	118	842292	Jet-Main (High Altitude) (Left or Cylinder 1)
13	692059	Screw (Cylinder Head) (86mm Long)	42	807683	Keeper-Valve			----- Note -----
15	690946	Plug-Oil Drain (Square Head)	45	690977	Tappet-Valve			842291 Jet-Main (High Altitude) (Right Or Cylinder 2)
16B	809807	Crankshaft	46	691557	Camshaft	121C	808816	Kit-Carburetor Overhaul
20	★805049	Seal-Oil (PTO Side)	50	690886	Manifold-Intake	122	690870	Spacer-Carburetor
22	807362	Screw (Crankcase Cover/Sump)	51A	690950	Gasket-Intake (Manifold/Carburetor Spacer)	125D	809328	Carburetor
23	809236	Flywheel (Steel Ring Gear)	51B	★Δ692035	Gasket-Intake (Manifold/Heads)	130C	690884	Valve-Throttle
25A	808326	Piston Assembly (Standard)	54	690676	Screw (Intake Manifold)	133B	808180	Float-Carburetor
		----- Note -----	73A	841440	Screen-Rotating (Used After Code Date 04011800).	142C	●690879	Nozzle-Carburetor (Standard)
		808336 Piston Assembly (.010" Oversize)			----- Note -----	146	691639	Key-Timing
		808337 Piston Assembly (.020" Oversize)			807111 Screen- Rotating (Used Before Code Date 04011900).	161B	808676	Base-Air Cleaner (Metal)
26A	807889	Ring Set (Standard)	74	841441	Screw (Rotating Screen) (Used After Code Date 04011800).	163A	★692087	Gasket-Air Cleaner (Used With Metal Air Cleaner Base)
		----- Note -----			----- Note -----	185	690939	Nut (Air Cleaner Base)
		807995 Ring Set (.020" Oversize)			807112 Screw (Rotating Screen) (Used Before Code Date 04011900).	187A	791745	Line-Fuel (Cut To Required Length)
					----- Note -----			----- Note -----
								791766 Line-Fuel (Cut To Required Length)

★ Included in Engine Gasket Set-Ref. No. 358.

● Included in Carburetor Overhaul Kit-Ref. No.121C.

Δ Included in Valve Gasket Set-Ref. No. 1095A.

Illustrations cover a range of engines. Parts shown without corresponding text may not be used on your specific engine.

358700

REF. NO.	PART NO.	DESCRIPTION	REF. NO.	PART NO.	DESCRIPTION	REF. NO.	PART NO.	DESCRIPTION
187B	791801	Line-Fuel (Molded)	268	691025	Casing-Control Wire (Cut To Required Length)	309A	691564	Motor-Starter
188	692056	Screw (Control Bracket)	269	691026	Wire-Control (Cut To Required Length)	310A	690323	Screw (Starter Motor)
192	807623	Adjuster-Rocker Arm	270	691027	Nut (Control Wire Casing)	311A	497608	Brush Set
197	807163	Screw (Back Plate)	271	691028	Lever-Control	332	690887	Nut (Flywheel)
202	690867	Link-Mechanical Governor	273	★690681	Seal-O Ring (Oil Pump)	333	492341	Armature-Magneto
203	690923	Crank-Bell ----- Note ----- 808753 Crank-Bell Used on Type No(s). 0110, 0113.	276	690704	Washer-Sealing (Crankcase Cover/Sump)	334	692066	Screw (Magneto Armature)
209	692071	Spring-Governor (White) ----- Note ----- 692070 Spring-Governor (Red) Used on Type No(s). 0100, 0110. 691508 Spring-Governor (Blue) Used on Type No(s). 0112.	276A	★△807085	Washer-Sealing	337	491055	Plug-Spark
211	692069	Spring-Governed Idle	276E	690724	Washer-Sealing	349	690238	Nut (Cylinder Head Cover)
216	690705	Link-Choke	276F	693497	Washer-Sealing	356	807063	Wire-Stop Used on Type No(s). 0110, 0112.
216A	690871	Link-Choke	278	842122	Washer (Governor Control Lever)	358	808389	Gasket Set-Engine
222	808454	Bracket-Control	287	807084	Screw (Dipstick Tube)	359	691077	Washer (Ground Terminal)
227	690236	Lever-Governor Control	304	8041400	Housing-Blower ----- Note ----- 841399 Housing-Blower Used on Type No(s). 0110, 0112.	363	19203	Puller-Flywheel
231B	690718	Screw (Choke Valve)	305	692056	Screw (Blower Housing) (14mm)	373A	691612	Nut (Ground Terminal)
232A	690874	Spring-Governor Link	305A	692062	Screw (Blower Housing)	377	808095	Key-Woodruff
240A	691035	Filter-Fuel (Includes Paper Element With A 40 Micron Rating)	308	841232	Cover-Cylinder Head (Cylinder 1)	383	19374	Wrench-Spark Plug
265	691024	Clamp-Casing	308F	841182	Cover-Cylinder Head (Cylinder 2) Used on Type No(s). 0112, 0113.	385	807084	Screw (Fuel Pump)
267	692083	Screw (Casing Clamp) ----- Note ----- 695134 Screw (Casing Clamp) Used on Type No(s). 0280.	308G	806546	Cover-Cylinder Head (Cylinder 2)	387	808656	Pump-Fuel
						413	693587	Nut (Starter Motor)
						415	690283	Plug (Square Head)
						439	★692154	Seal-O Ring (Crankcase Cover/Sump)
						445B	692519	Filter-Air Cleaner Cartridge (Round)
						454	693289	Cap-Breather
						466	806466	Seal-O Ring (Breather Assembly)
						467	691985	Knob-Air Cleaner
						474D	696458	Alternator
						501	691185	Regulator
						505	690238	Nut (Governor Control Lever)
						506	807120	Screw (Carburetor Cover)

★ Included in Engine Gasket Set-Ref. No. 358.

● Included in Carburetor Overhaul Kit-Ref. No.121C.

△ Included in Valve Gasket Set-Ref. No. 1095A.

Illustrations cover a range of engines. Parts shown without corresponding text may not be used on your specific engine.

5377-13

Assemblies include all parts shown in frames.

07/11/2005

358700

REF. NO.	PART NO.	DESCRIPTION	REF. NO.	PART NO.	DESCRIPTION	REF. NO.	PART NO.	DESCRIPTION
507	691972	Insulator	681	●808798	Kit-Needle/Seat	842	★692053	Seal-O Ring (Dipstick Tube)
510	496881	Drive-Starter	691	★690680	Seal-Governor Shaft	851	493880	Terminal-Spark Plug
520	691084	Terminal-Ground (Brass)	697	692062	Screw (Drive Cap)	862B	690868	Strap/Stud-Air Cleaner Mounting
523	692101	Dipstick	711	807163	Screw (Carburetor Shield)	865	807119	Cover-Air Guide (Black)
525	692093	Tube-Dipstick	711C	691492	Screw (Carburetor Shield)	868	★Δ691963	Seal-Valve
526	692067	Screw (Regulator)	718	806469	Pin-Locating	871	692057	Bushing-Valve Guide
527	690423	Clamp-Tube	726		Gear-Ring (Steel)(See Reference 23 for Service)	877C	393537	Wire/Connector-Alternator
529	690744	Grommet	727	841313	Cover-Starter Drive (Black)	879A	807460	Cover-Carburetor
544A	693548	Armature-Starter	729B	690586	Clip-Wire (Snap In)(Nylon)	883A	★Δ691613	Gasket-Exhaust
552	690701	Bushing-Governor Crank	732	690688	Screw (Starter Drive Cover)	914	806421	Screw (Rocker Cover)
552A	806686	Bushing-Governor Crank	732A	841233	Screw (Starter Drive Cover)	918	393815	Hose-Vacuum (Cut To Required Length)
562	690239	Bolt (Governor Control Lever)	737	690679	Screw (Oil Filter Adapter)	934	691058	Screw (Fan Retainer)
565	690682	Stud (Oil Filter Adapter)	741	691530	Gear-Timing	947D	808624	Solenoid-Fuel
573	841310	Plate-Back	788	691559	Bracket-Fuel Pump	955A	807723	Plug-Carburetor
578	692306	Wire Assembly	789	698332	Harness-Wiring Used on Type No(s). 0110, 0280.	967B	692520	Filter-Pre Cleaner (Round)
578A	692319	Wire Assembly (With Diodes)	797	691029	Nut (Brush Retainer)	968B	808654	Cover-Air Cleaner (Used With Metal Air Cleaner Base)
596	691492	Screw (Oil Pump)	797A	693167	Nut (Brush Retainer)	971	690866	Screw (Air Cleaner Base to Carburetor)
601	691145	Clamp-Hose	801	808778	Cap-Drive	975C	808179	Bowl-Float
601B	691038	Clamp-Hose (Silver)	802A	691286	Cap-End	987A	●691000	Seal-Throttle Shaft
615	691550	Retainer-Governor Shaft	803A	693547	Housing-Starter	988	★692063	Gasket-Oil Adapter
616	806685	Crank-Governor	812	Δ692055	Nut (Rocker Cover)	996C	690917	Shield-Carburetor
628A	806660	Screw (Fuel Pump Bracket)	816	690706	Washer (Oil Filter Adapter)	1004B	690865	Duct-Air (Used With Metal Air Cleaner Base)
633B	●690722	Seal-Choke/Throttle Shaft	830	809157	Stud-Rocker Arm			
635	692076	Boot-Spark Plug	833A	841233	Screw (Air Cleaner Mounting Strap/Stud)			
638A	691551	Washer (Cylinder Head Cover) (Used Before Code Date 03110100).						
643	692079	Retainer-Air Filter						

★ Included in Engine Gasket Set-Ref. No. 358.

● Included in Carburetor Overhaul Kit-Ref. No.121C.

Δ Included in Valve Gasket Set-Ref. No. 1095A.

Illustrations cover a range of engines. Parts shown without corresponding text may not be used on your specific engine.

358700

REF. NO.	PART NO.	DESCRIPTION	REF. NO.	PART NO.	DESCRIPTION	REF. NO.	PART NO.	DESCRIPTION
1005	841439	Fan-Flywheel (Used After Code Date 04011800). ----- Note ----- 809179 Fan-Flywheel (Used Before Code Date 04011900).	1023B	691494	Cover-Rocker	1051A	691124	Ring-Retaining
			1024	693186	Pump-Oil	1054	280275	Tie-Cable
			1025	690689	Spool-Governor	1058	276353	Operator's Manual
			1026	691836	Rod-Push (Intake)(Steel) ----- Note ----- 691758 Rod-Push (Exhaust)(Aluminum)	1090	691293	Retainer-Brush
1006	690452	Retainer-Fan				1091B	●691516	Cap-Limiter
1017	690878	Screen-Oil Pump	1027	492932	Filter-Oil (2 1/4" Long)	1095A	808391	Gasket Set-Valve
1019	808158	Kit-Label				1100	690973	Pivot-Rocker Arm
1022	★Δ806039	Gasket-Rocker Cover	1028	808235	Adapter-Oil Filter	1119	691552	Screw (Alternator)
1023	808648	Cover-Rocker (Includes Breather Assembly)	1029	807323	Arm-Rocker	1127	690885	Screw (Float Bowl)
1023A	691558	Cover-Rocker (Cylinder 1) (With Fuel Pump)	1036	841639	Label-Emissions (Used After Code Date 04063000). ----- Note ----- 806886 Label-Emissions (Used Before Code Date 04070100).	1130	690869	Stud (Intake Manifold)
						1135	806497	Washer (Crankcase Cover/Sump)
						1158	807468	Screw (Carburetor Plug)
						1254	807084	Screw (Rocker Cover Stud)
						1330	272144	Repair Manual

★ Included in Engine Gasket Set-Ref. No. 358.

● Included in Carburetor Overhaul Kit-Ref. No.121C.

Δ Included in Valve Gasket Set-Ref. No. 1095A.

Illustrations cover a range of engines. Parts shown without corresponding text may not be used on your specific engine.

5377-15

Assemblies include all parts shown in frames.

07/11/2005