



356400

Illustrated Parts List

Model Series

356400

TYPE NUMBERS
0065 through 1415.

TABLE OF CONTENTS

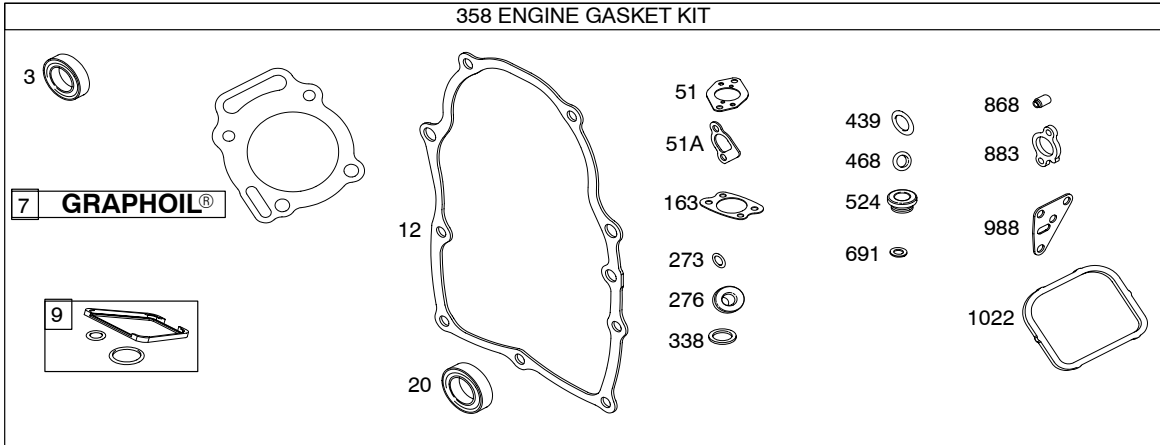
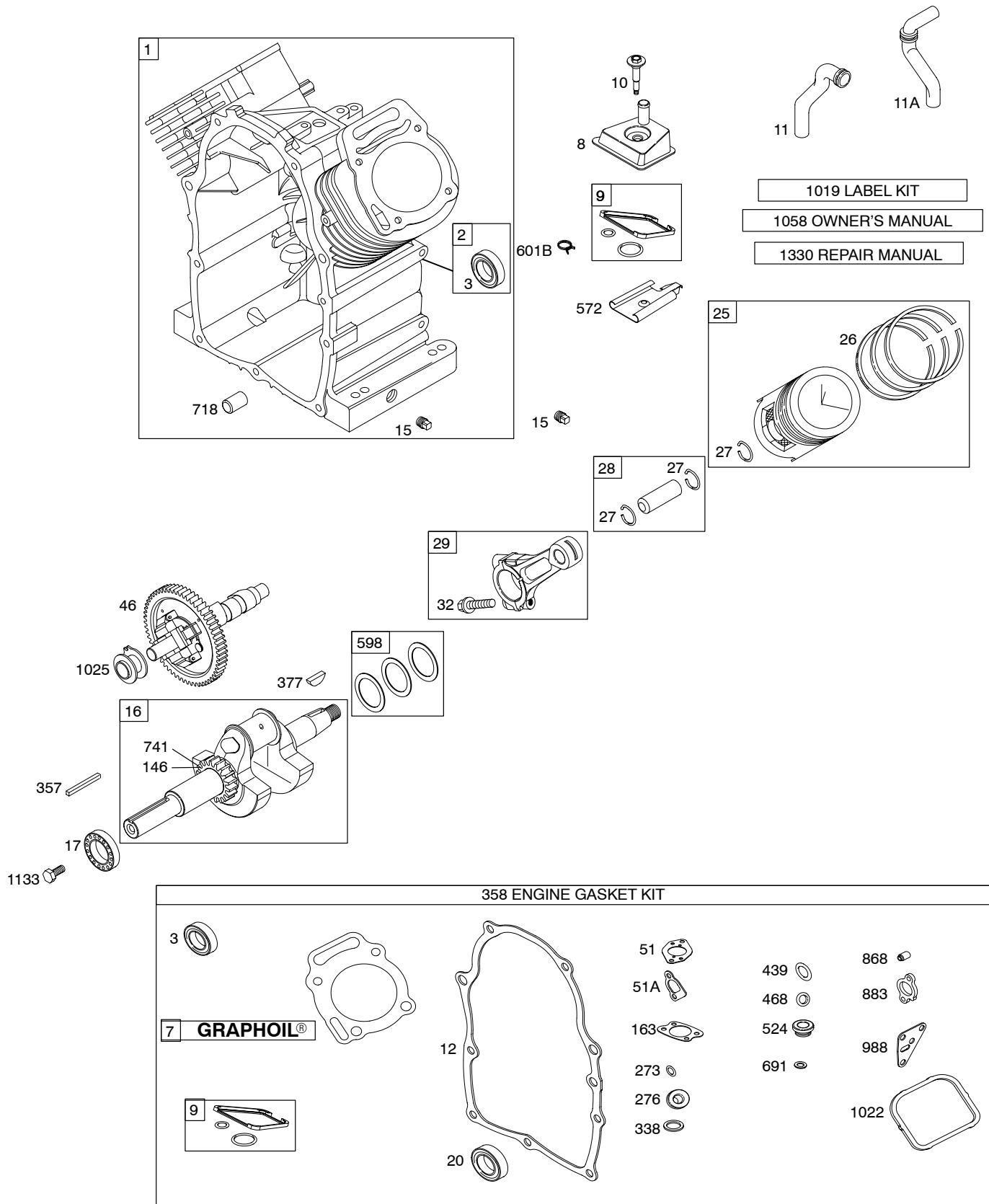
Air Cleaner	7
Alternator	15
Blower Housing	12
Camshaft	2
Carburetor	6
Controls	10
Crankcase Cover	4
Crankshaft	2
Cylinder	2
Cylinder Head	3
Electric Starter	16 & 17
Exhaust System	8
Flywheel	13
Fuel Supply	9
Gasket Set - Engine	2
Gasket Set - Valve	3
Governor Spring	10
Ignition	15
Intake Manifold	4
Kit - Carburetor Overhaul	6
Lubrication	5
Piston, Rings, Connecting Rod	2
Rewind Starter	14
Shrouds	11
Valves	3

PRINTED IN U.S.A.

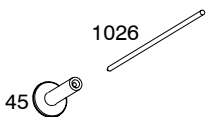
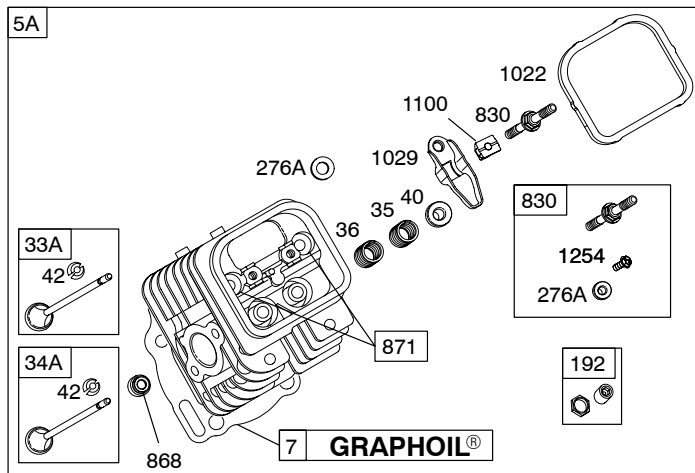
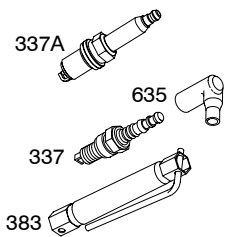
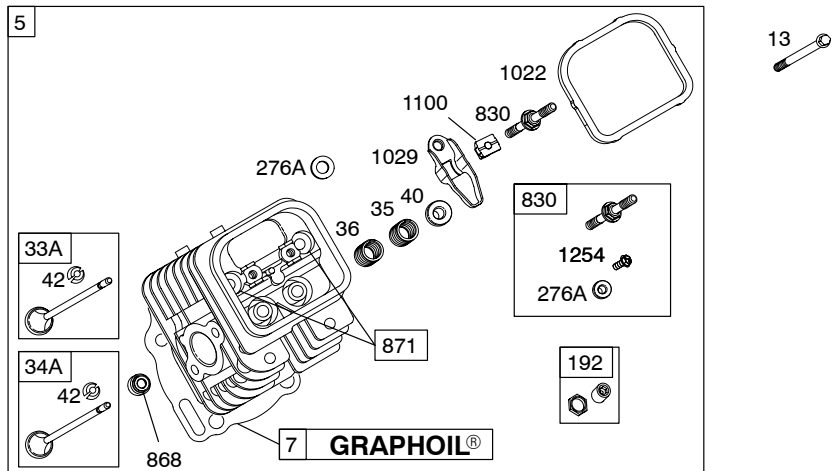
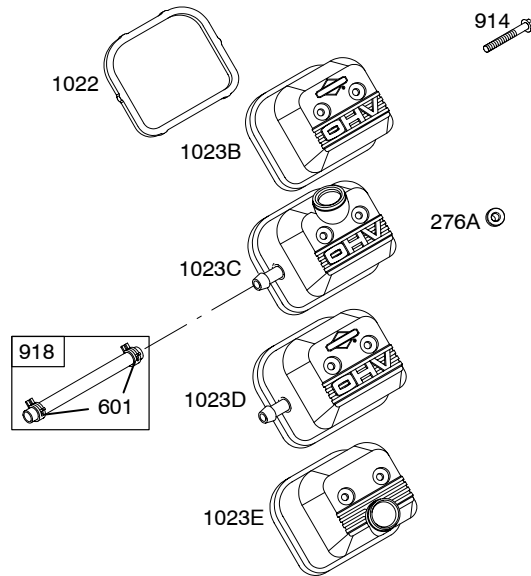
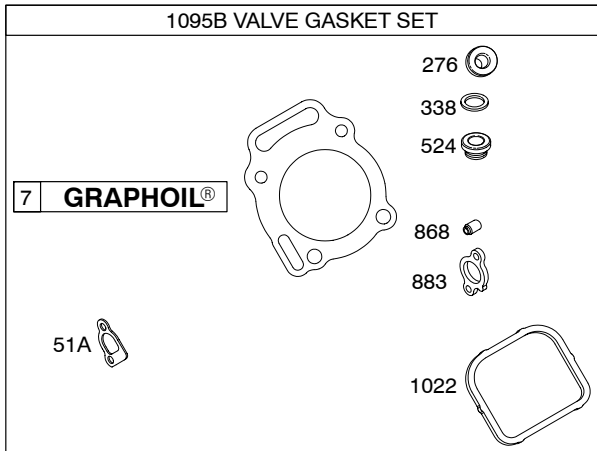


COPYRIGHT by BRIGGS & STRATTON CORPORATION
All rights reserved. No part of this material may be reproduced or transmitted, in any form or by any means, electronic or mechanical, including photocopying, recording or by any information storage and retrieval system, without permission in writing from Briggs & Stratton Corporation.

356400

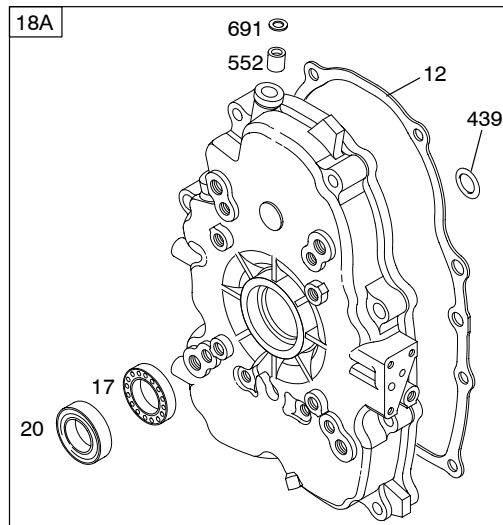
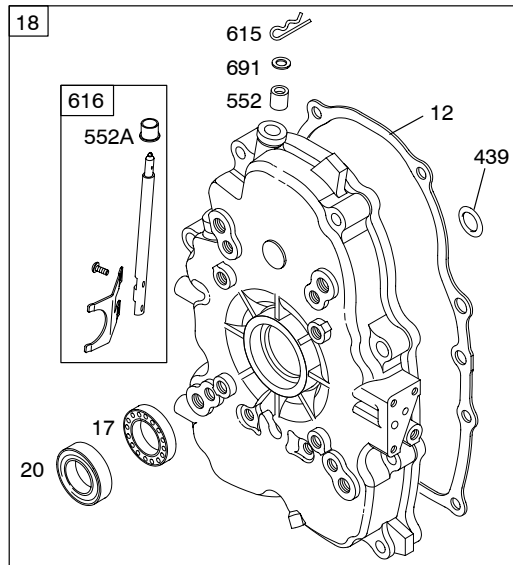
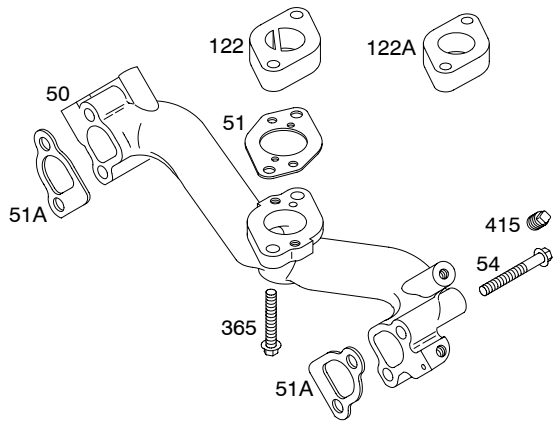


Illustrations cover a range of engines. Parts shown without corresponding text may not be used on your specific engine.
 5761-2 Assemblies include all parts shown in frames. 11/03/2005

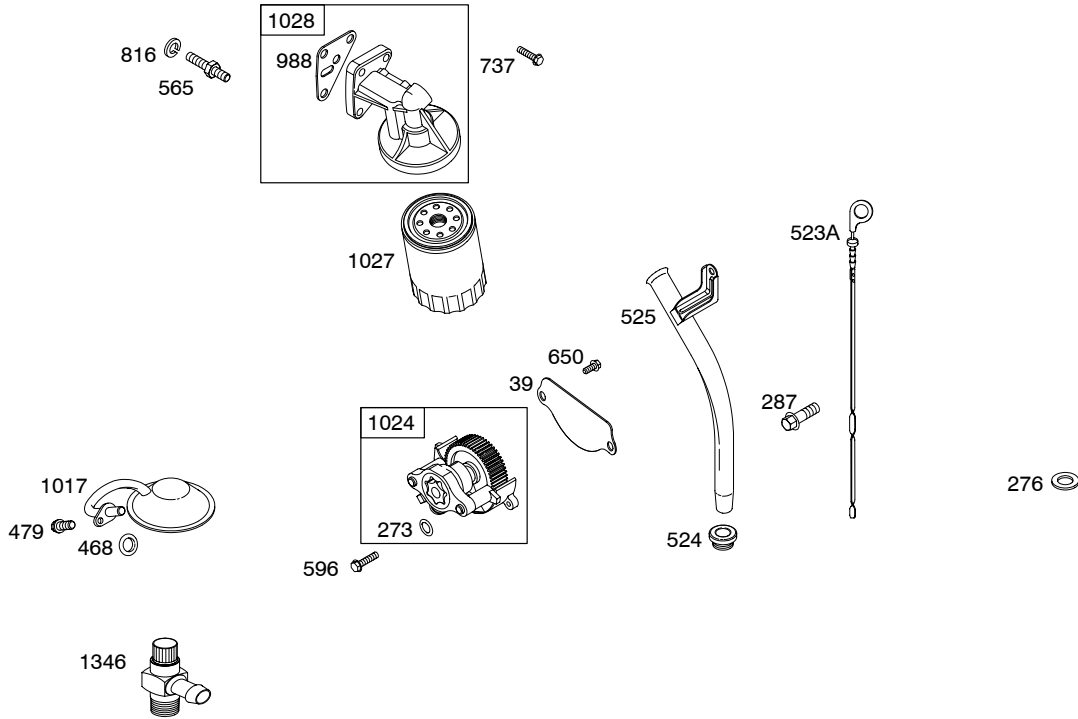


Illustrations cover a range of engines. Parts shown without corresponding text may not be used on your specific engine.
5761-3 Assemblies include all parts shown in frames. 11/03/2005

356400

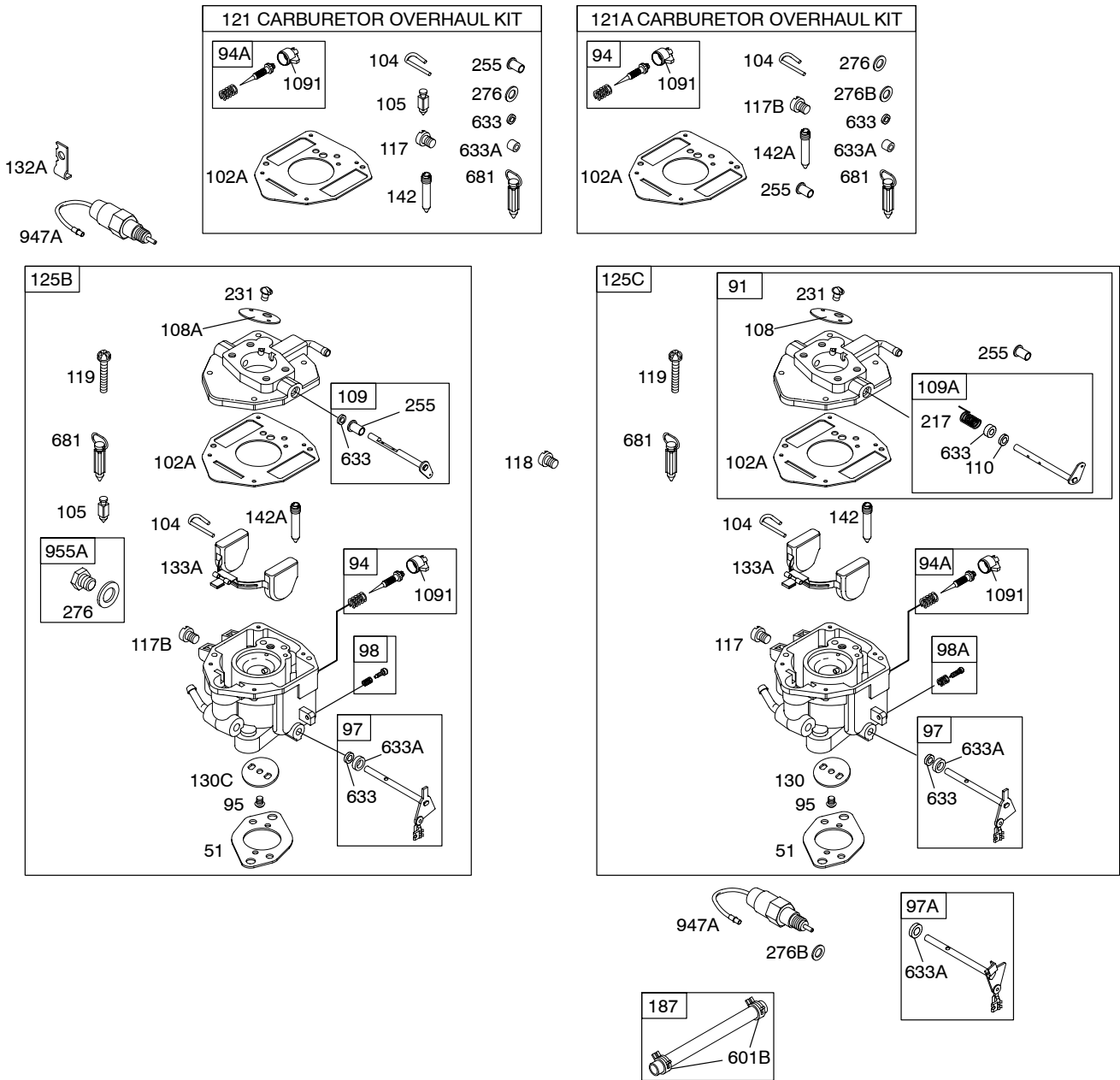


Illustrations cover a range of engines. Parts shown without corresponding text may not be used on your specific engine.
 5761-4 Assemblies include all parts shown in frames. 11/03/2005

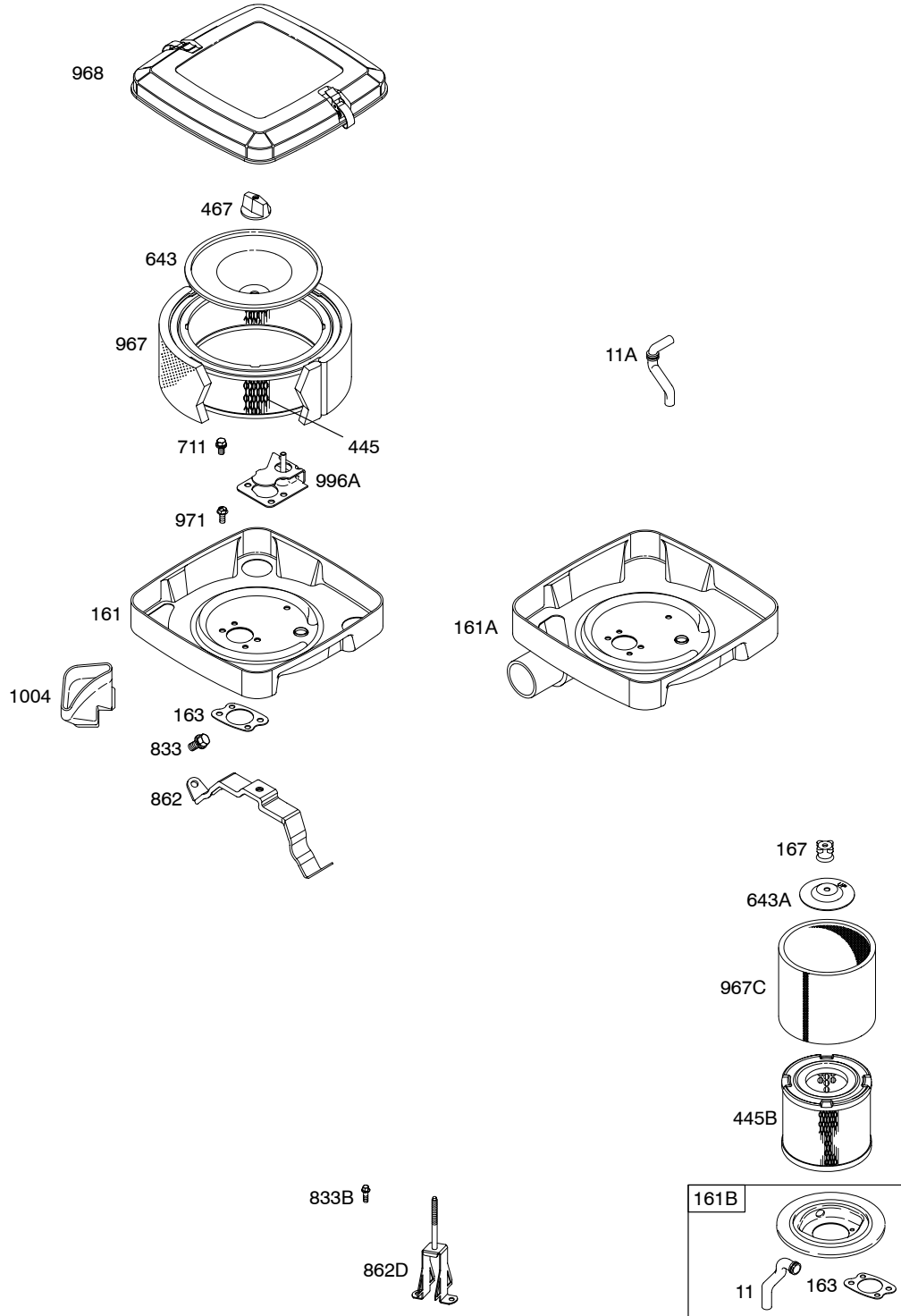


5761-5 *Illustrations cover a range of engines. Parts shown without corresponding text may not be used on your specific engine.* Assemblies include all parts shown in frames. 11/03/2005

356400

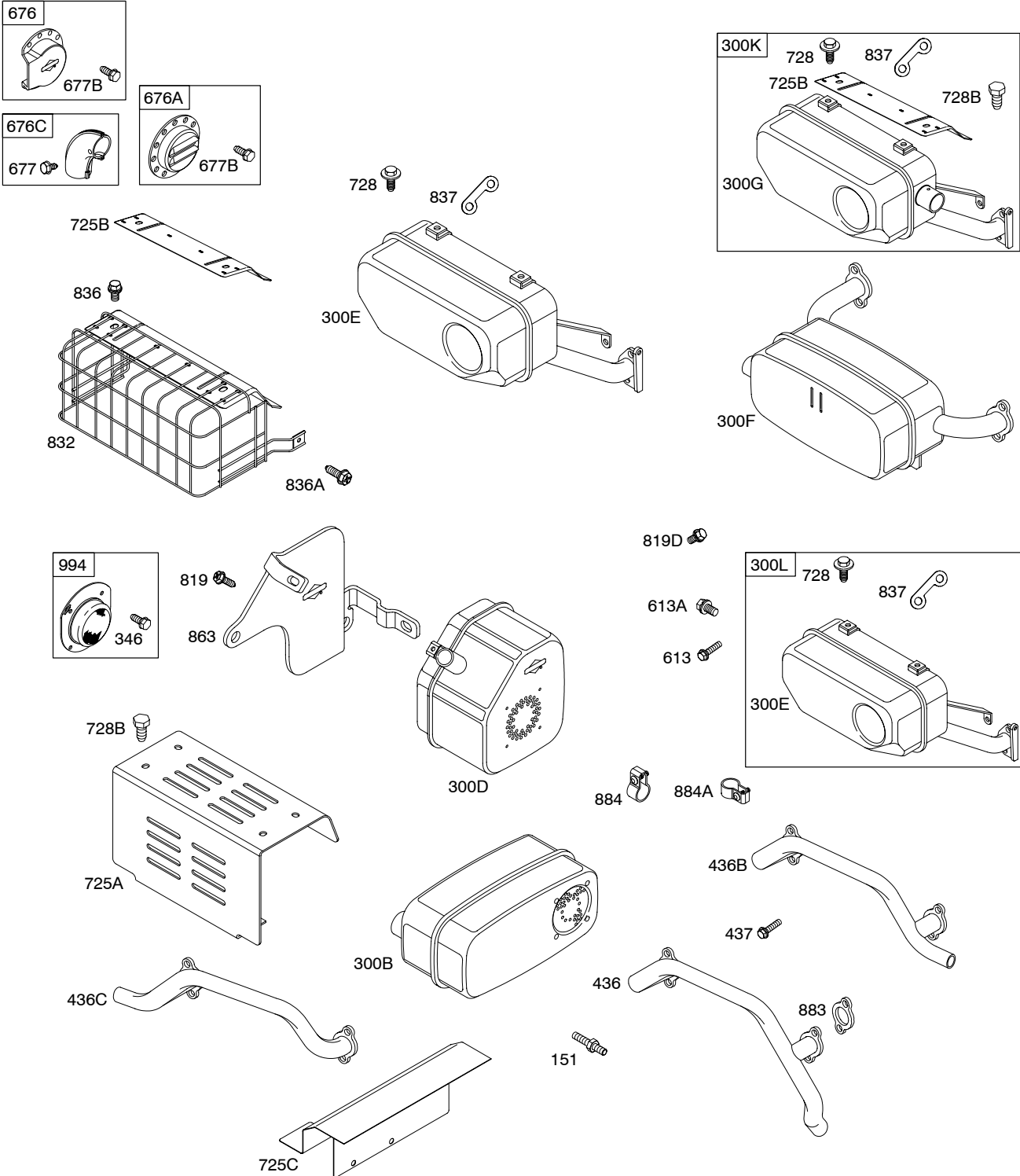


Illustrations cover a range of engines. Parts shown without corresponding text may not be used on your specific engine.
 5761-6 Assemblies include all parts shown in frames. 11/03/2005

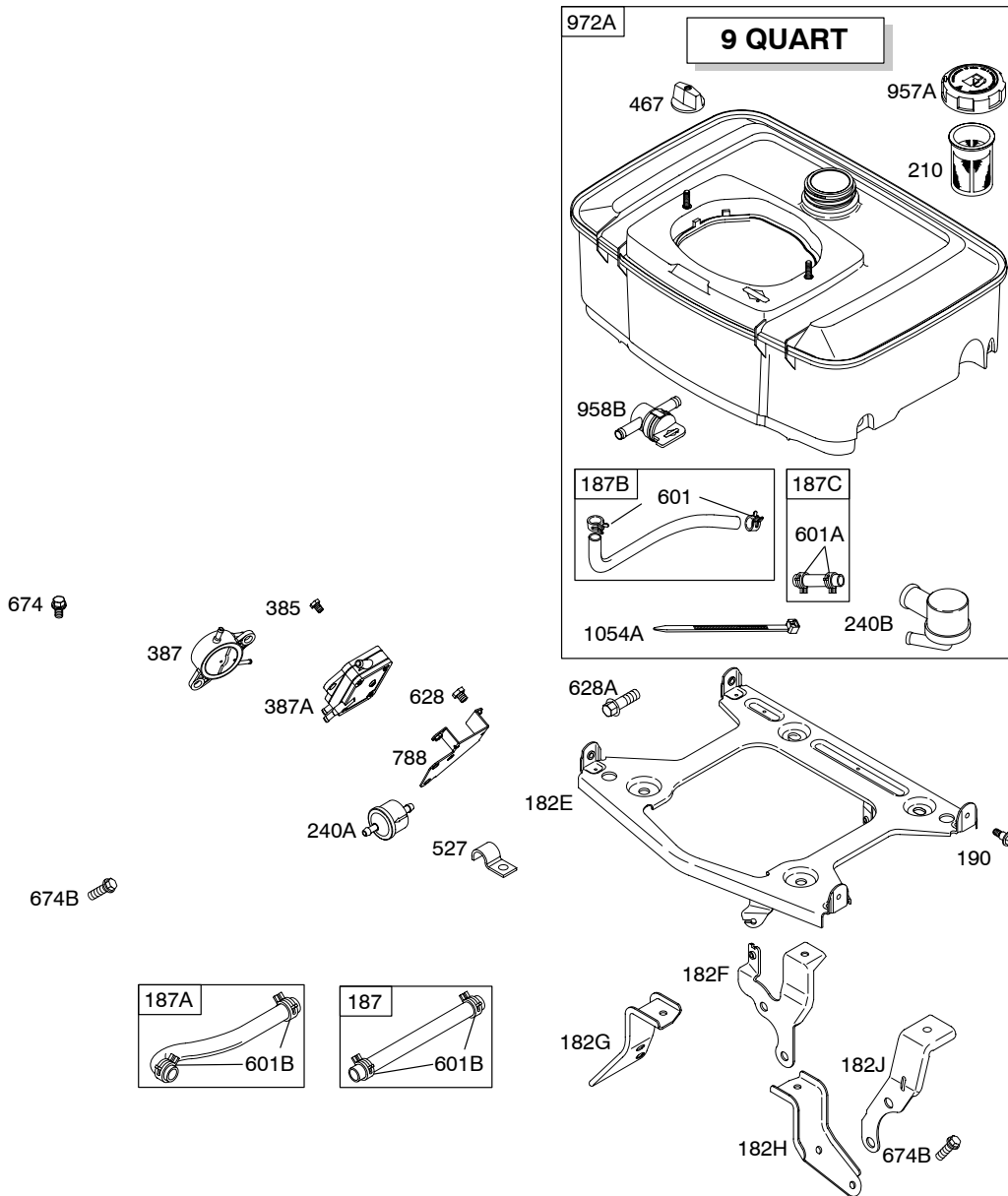


Illustrations cover a range of engines. Parts shown without corresponding text may not be used on your specific engine.
5761-7 Assemblies include all parts shown in frames. 11/03/2005

356400

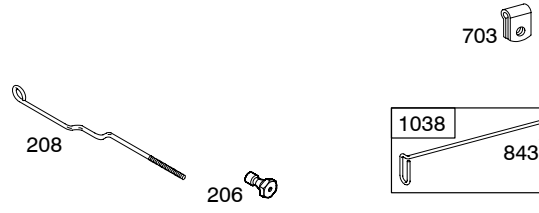
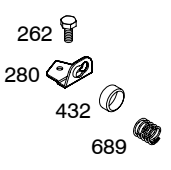
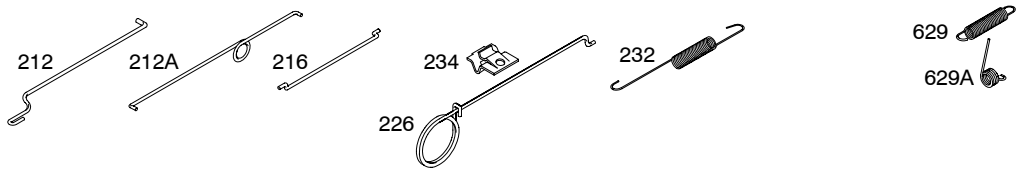
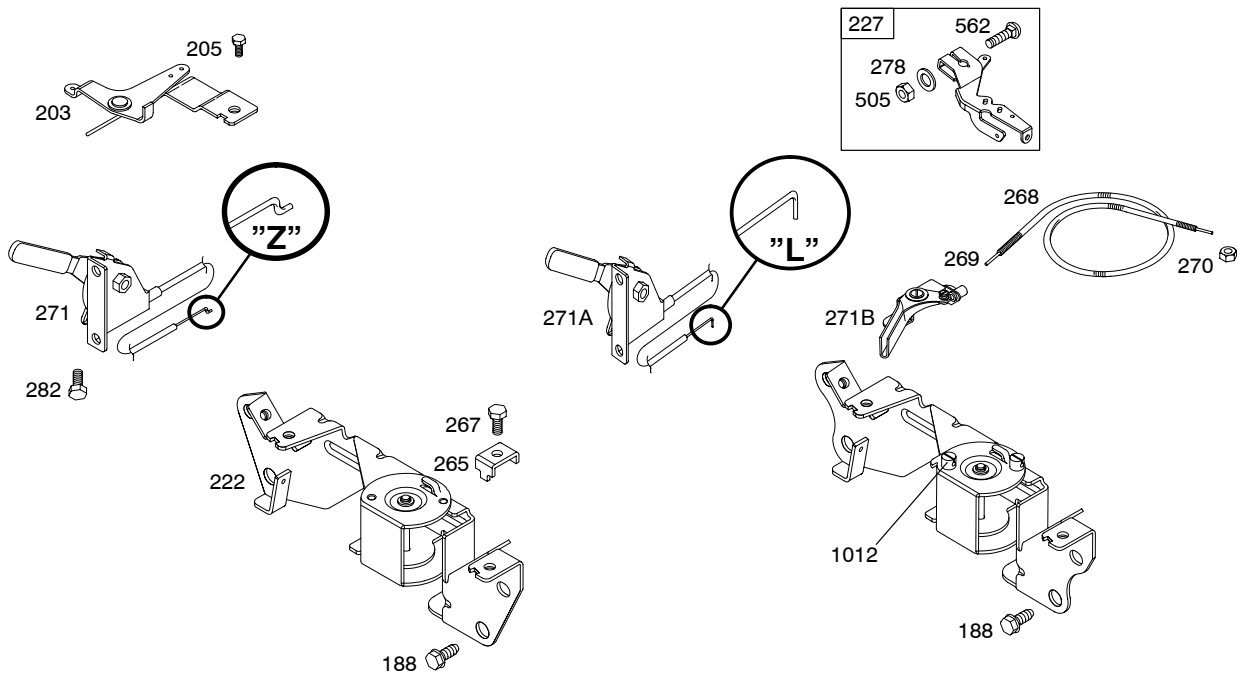


Illustrations cover a range of engines. Parts shown without corresponding text may not be used on your specific engine.
 5761-8 Assemblies include all parts shown in frames. 11/03/2005

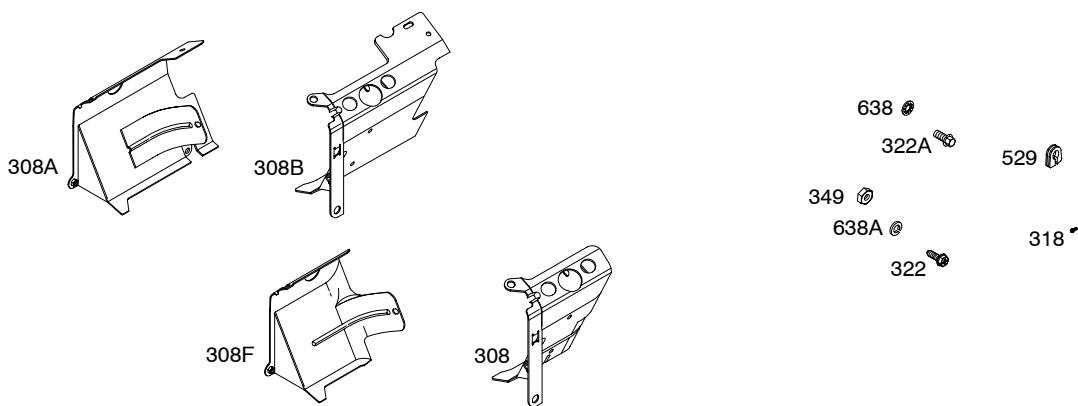
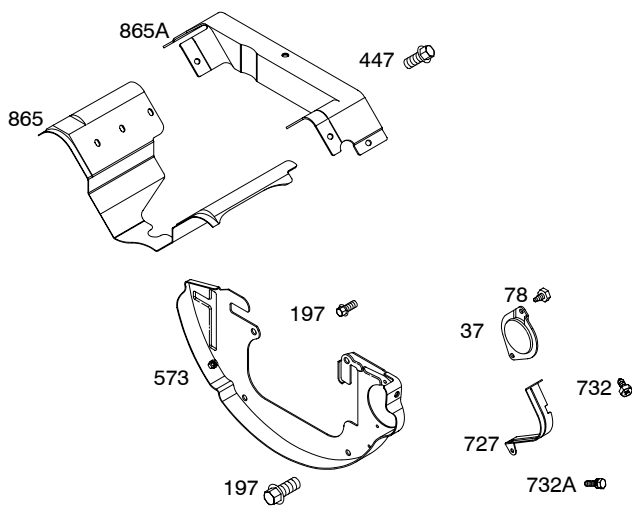


Illustrations cover a range of engines. Parts shown without corresponding text may not be used on your specific engine.
 5761-9 Assemblies include all parts shown in frames. 11/03/2005

356400

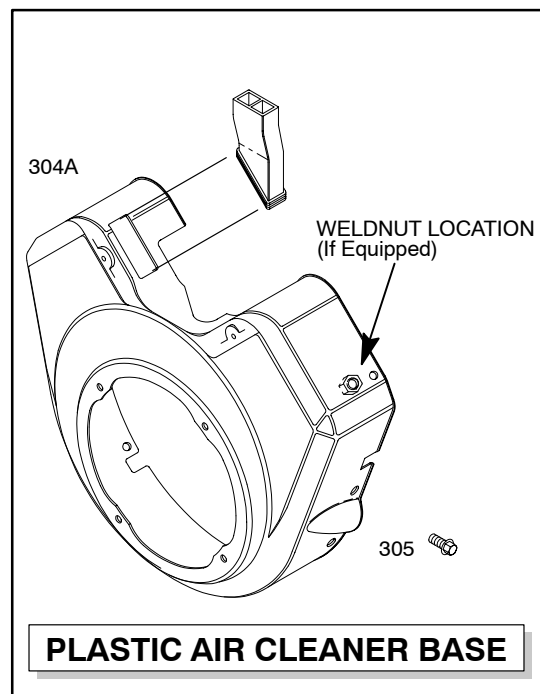
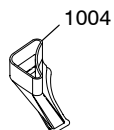
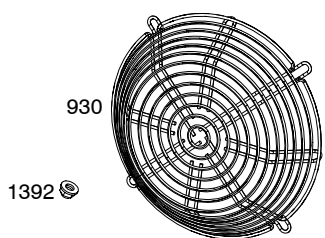


Illustrations cover a range of engines. Parts shown without corresponding text may not be used on your specific engine.
 5761-10 Assemblies include all parts shown in frames. 11/03/2005

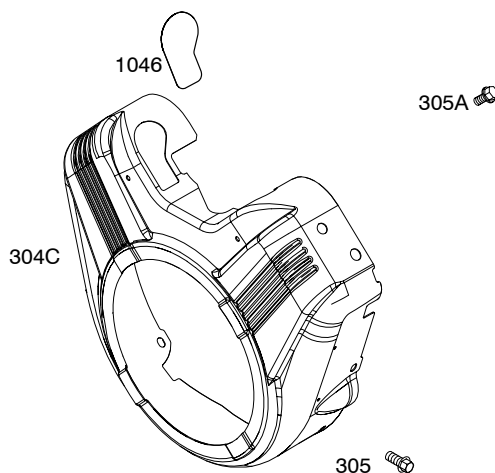
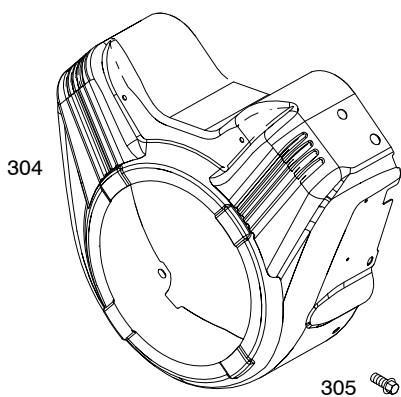


Illustrations cover a range of engines. Parts shown without corresponding text may not be used on your specific engine.
5761-11 Assemblies include all parts shown in frames. 11/03/2005

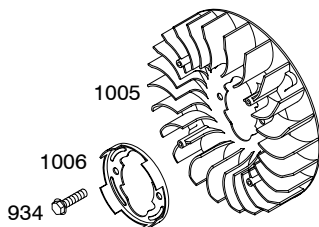
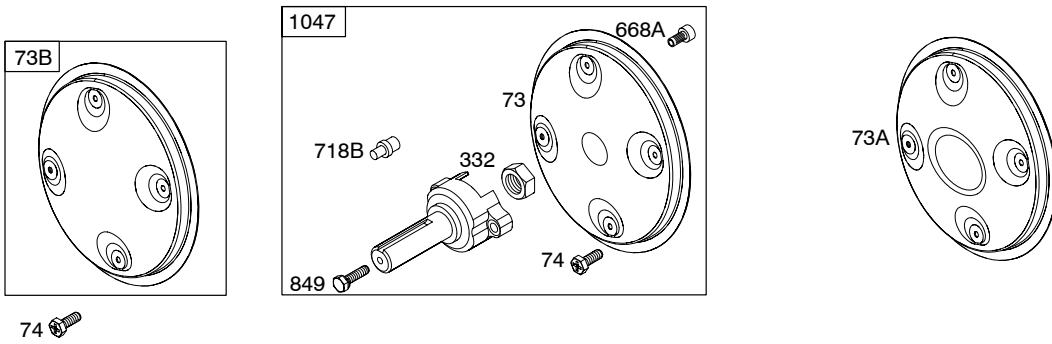
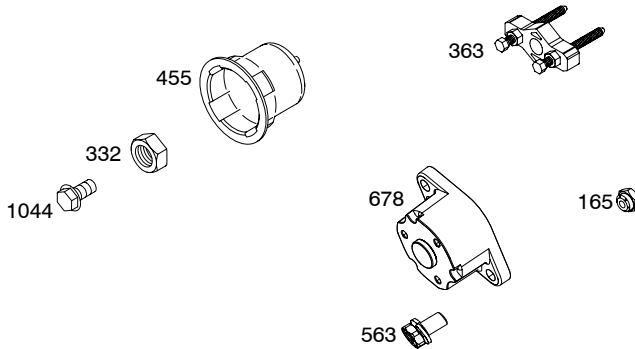
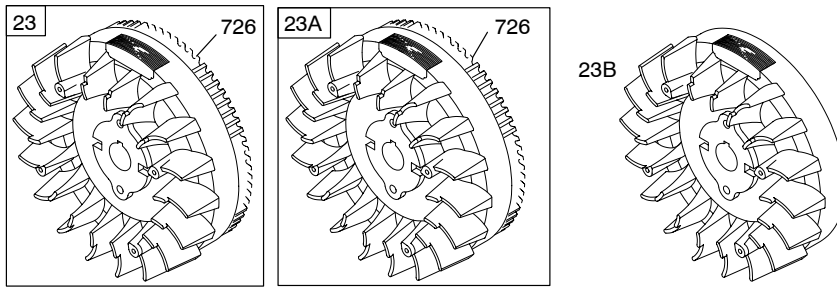
356400



1036 EMISSION LABEL

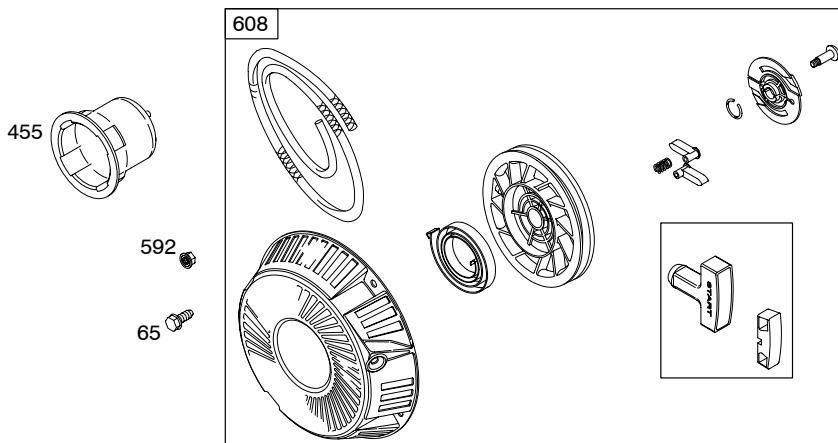


Illustrations cover a range of engines. Parts shown without corresponding text may not be used on your specific engine.
5761-12 Assemblies include all parts shown in frames. 11/03/2005



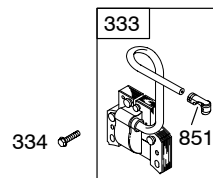
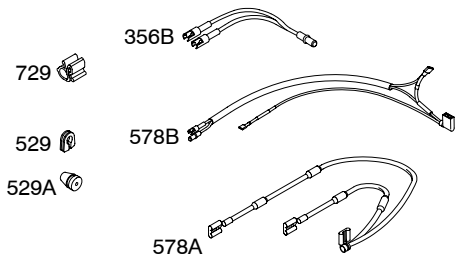
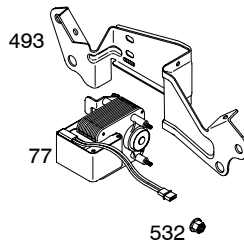
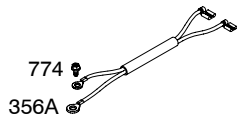
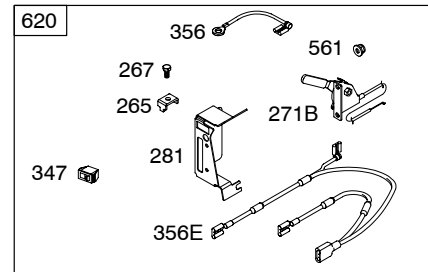
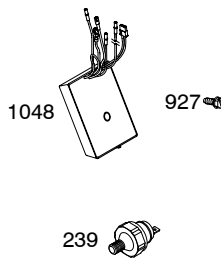
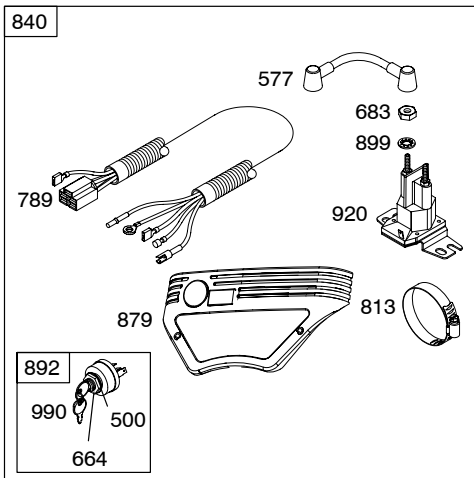
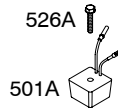
Illustrations cover a range of engines. Parts shown without corresponding text may not be used on your specific engine.
5761-13 Assemblies include all parts shown in frames. 11/03/2005

356400



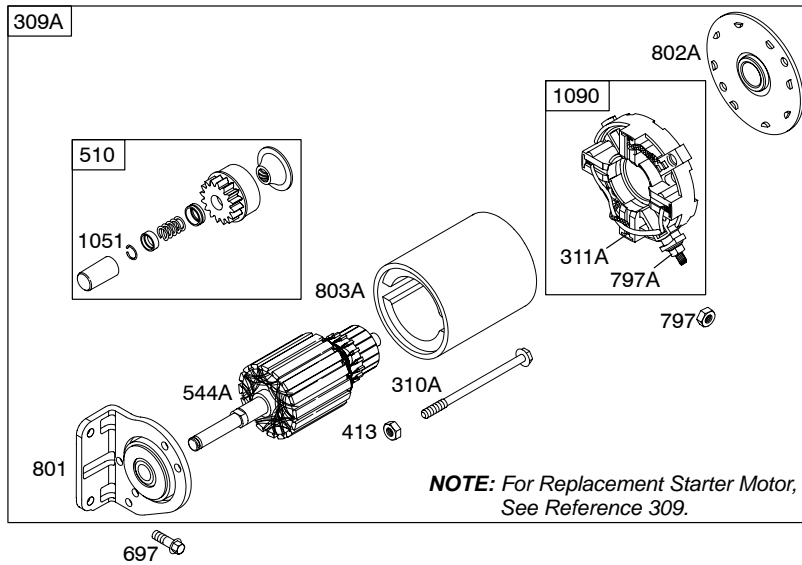
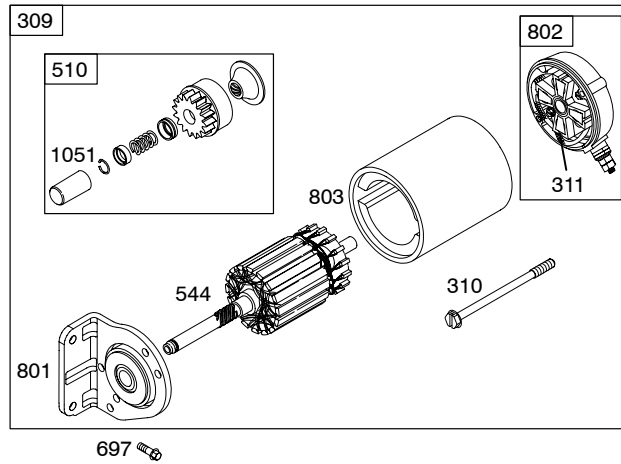
Illustrations cover a range of engines. Parts shown without corresponding text may not be used on your specific engine.
5761-14 Assemblies include all parts shown in frames. 11/03/2005

	5 - 9 AMP	10 - 16 AMP	20 AMP	20 AMP POWER LINK
<p>NOTE: All stators use a No. 1119 mounting screw. </p>				

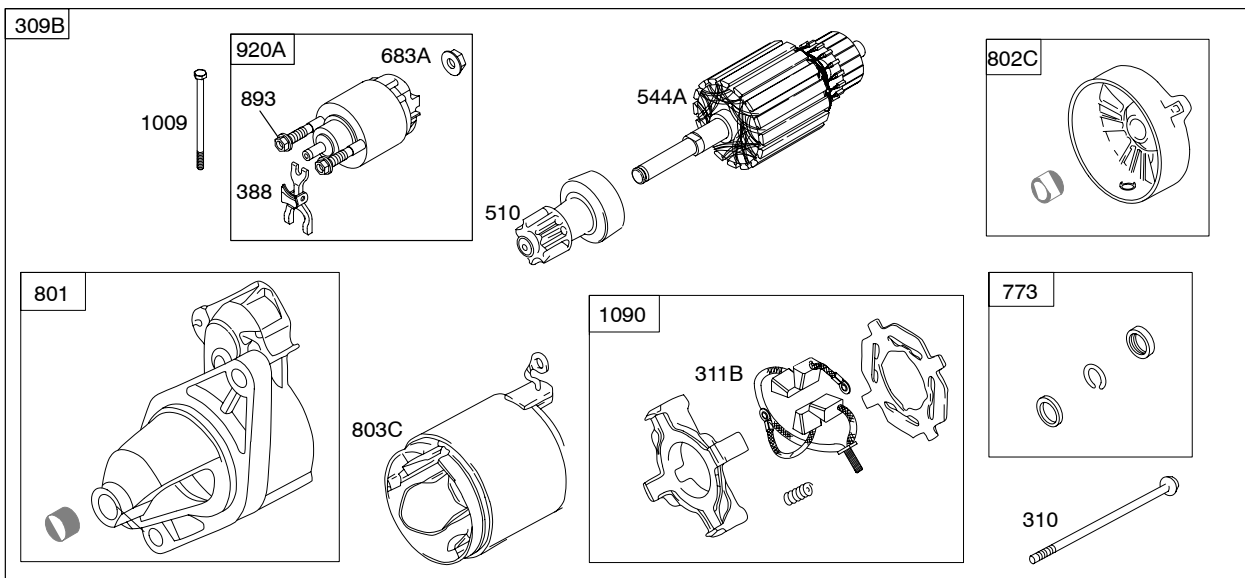
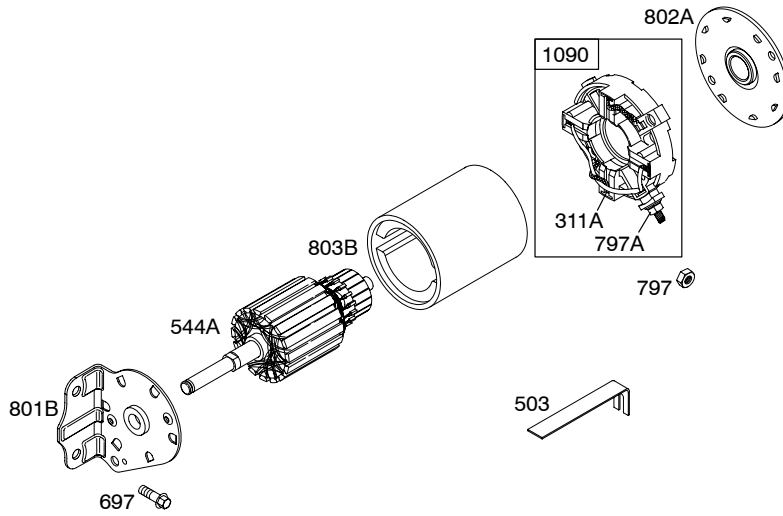


Illustrations cover a range of engines. Parts shown without corresponding text may not be used on your specific engine.
5761-15 Assemblies include all parts shown in frames. **11/03/2005**

356400



Illustrations cover a range of engines. Parts shown without corresponding text may not be used on your specific engine.
5761-16 Assemblies include all parts shown in frames. 11/03/2005



Illustrations cover a range of engines. Parts shown without corresponding text may not be used on your specific engine.
5761-17 Assemblies include all parts shown in frames. **11/03/2005**

356400

REF. NO.	PART NO.	DESCRIPTION	REF. NO.	PART NO.	DESCRIPTION	REF. NO.	PART NO.	DESCRIPTION
1	692544	Cylinder Assembly ----- Note ----- 841579 Cylinder Assembly Used on Type No(s). 0116, 0166, 0167. 841562 Cylinder Assembly Used on Type No(s). 0130, 0165, 1415. 841146 Cylinder Assembly Used on Type No(s). 0155, 0183.	16	809806	Crankshaft ----- Note ----- 809842 Crankshaft Used on Type No(s). 0158, 0161, 0162, 0164, 0166, 0167, 0172, 0197, 0200, 0201, 0215, 0331. 809811 Crankshaft Used on Type No(s). 0078, 0121, 0122, 0126, 0128, 0149, 0150, 0152, 0194, 0202. 809804 Crankshaft Used on Type No(s). 0171, 0189, 0191. 809832 Crankshaft Used on Type No(s). 0133. 809836 Crankshaft Used on Type No(s). 0179.	23A	809174	Flywheel Used on Type No(s). 0116, 0166, 0167. ----- Note ----- 841050 Flywheel Used on Type No(s). 0115, 0200.
2	808534	Kit-Bushing/Seal (Magneto Side)	17	690752	Bearing-Ball	23B	841957	Flywheel Used on Type No(s). 0065, 0126, 0127, 0128.
3	★805101s	Seal-Oil (Magneto Side)	18	808847	Cover-Crankcase	25	808326	Piston Assembly (Standard) ----- Note ----- 808337 Piston Assembly (.020" Oversize)
5	809185	Head-Cylinder (Cylinder 1)	18A	808508	Cover-Crankcase Used on Type No(s). 0115, 0116, 0149, 0150.	26	807889	Ring Set (Standard) ----- Note ----- 807995 Ring Set (.020" Oversize)
5A	809186	Head-Cylinder (Cylinder 2)	20	★805049s	Seal-Oil (PTO Side)	27	690683	Lock-Piston Pin
7	★△690888	Gasket-Cylinder Head (Graphoil)	22	807362	Screw (Crankcase Cover/Sump)	28	807886	Pin-Piston (Standard)
8	808984	Breather Assembly	23	809236	Flywheel (Steel Ring Gear) ----- Note ----- 841728 Flywheel Used on Type No(s). 0119, 0148, 0153. 842442 Flywheel Used on Type No(s). 0130, 0165, 1415.	29	807900s	Rod-Connecting (Standard) ----- Note ----- 807803 Rod- Connecting (.020" Undersize)
9	★809094	Gasket-Breather				32	690698	Screw (Connecting Rod)
10	690751	Screw (Breather Assembly)				33A	807681	Valve-Exhaust
11	691556	Tube-Breather Used on Type No(s). 0065, 0096, 0122, 0125, 0127, 0128, 0130, 0153, 0167, 0168, 0183, 0191.				34A	807680	Valve-Intake
11A	806083s	Tube-Breather				35	692084	Spring-Valve (Intake)
12	★691684	Gasket-Crankcase				36	692084	Spring-Valve (Exhaust)
13	692059	Screw (Cylinder Head)				37	841309	Guard-Flywheel
15	690946	Plug-Oil Drain				39	690745	Deflector-Oil
						40	692058	Retainer-Valve
						42	807683	Keeper-Valve

★ Included in Engine Gasket Set-Ref. No. 358.

● Included in Carburetor Overhaul Kit-Ref. No. 121 or 121A.

△ Included in Valve Gasket Set-Ref. No. 1095B.

Illustrations cover a range of engines. Parts shown without corresponding text may not be used on your specific engine.

356400

REF. NO.	PART NO.	DESCRIPTION	REF. NO.	PART NO.	DESCRIPTION	REF. NO.	PART NO.	DESCRIPTION
45	690977	Tappet-Valve	94	●808399	Kit-Idle Mixture	121	809021	Kit-Carburetor
46	691557	Camshaft	94A	●808257	Kit-Idle Mixture			Overhaul
		----- Note -----			Used on Type No(s).			Used on Type No(s).
		692157 Camshaft			0162, 0200.			0162, 0200.
		Used on Type No(s).	95	690718	Screw	121A	809024	Kit-Carburetor
		0115, 0116, 0149,			(Throttle Valve)			Overhaul
		0150.	97	809062	Shaft-Throttle	122	690691	Spacer-Carburetor
50	690754	Manifold-Intake			----- Note -----			Used on Type No(s).
51	★691694	Gasket-Intake			807495 Shaft-Throttle			0162, 0172, 0179,
		(Manifold To			Used on Type No(s).			0200.
		Carburetor)	97A	842734	Shaft-Throttle	122A	690747	Spacer-Carburetor
51A	★△692035	Gasket-Intake			Used on Type No(s).	125B	809017	Carburetor
		(Manifold to Head)			0179.			----- Note -----
54	690676	Screw			98	808177	Kit-Idle Speed	809019 Carburetor
		(Intake Manifold)	98A	808981	Kit-Idle Speed			(Gravity Feed)
65	690341	Screw			Used on Type No(s).			Used on Type No(s).
		(Rewind Starter)			0162, 0179, 0200.			0065, 0066, 0096,
73	841582	Screen-Rotating	102A	●692077	Gasket-Carburetor			0122, 0125, 0127,
		Used on Type No(s).			Body			0130, 0153, 0167,
		0114, 0115, 0116,	104	●690723	Pin-Float Hinge			0168, 0183.
		0148, 0154, 0156,	105	●805620	Valve-Float Needle			842733 Carburetor
		0172, 0179.			Used on Type No(s).			(Includes Solenoid)
73A	841662	Screen-Rotating			0065, 0066, 0122,			Used on Type No(s).
73B	841440	Screen-Rotating			0125, 0127, 0153,			0179.
		Used on Type No(s).	108	690719	Valve-Choke	125C	809217	Carburetor
		0079, 0117, 0118,			Used on Type No(s).			Used on Type No(s).
		0124, 0139, 0140,	108A	806134	Valve-Choke			0162, 0200.
		0153, 0157, 0158,	109	808398	Shaft-Choke	130	690726	Valve-Throttle
		0162, 0171, 0191,	109A	809096	Shaft-Choke			Used on Type No(s).
		0197, 0200, 0201.			Used on Type No(s).			0162, 0200.
74	841441	Screw			0162, 0200.	130C	806132	Valve-Throttle
		(Rotating Screen)	110	806861	Washer	132A	690863	Stop-Throttle
		(Used After Code Date			(Choke Shaft)			----- Note -----
		04021500).	117	●690862	Jet-Main			692155 Stop-Throttle
		----- Note -----			(Standard)			Used on Type No(s).
		807112 Screw			Used on Type No(s).	133A	806961	Float-Carburetor
		(Rotating Screen)	117B	●806126	Jet-Main			142
		(Used Before Code			Used on Type No(s).			●690725
		Date 04021600).			0162, 0200.			Nozzle-Carburetor
77	690819	Motor-Servo						(Standard)
78	690688	Screw						Used on Type No(s).
		(Flywheel Guard)	118	809685	Jet-Main			0162, 0200.
					(High Altitude)	142A	●806128	Nozzle-Carburetor
91	809208	Body-Upper						(Standard)
		Carburetor	119	690720	Screw			146
		Used on Type No(s).			(Upper To Lower			691639
		0162, 0200.			Carburetor Body)			Key-Timing
								161
								691561
								Base-Air Cleaner
								(Metal)

★ Included in Engine Gasket Set-Ref. No. 358.

● Included in Carburetor Overhaul Kit-Ref. No. 121 or 121A.

△ Included in Valve Gasket Set-Ref. No. 1095B.

Illustrations cover a range of engines. Parts shown without corresponding text may not be used on your specific engine.
 5761-19 Assemblies include all parts shown in frames. 11/03/2005

356400

REF. NO.	PART NO.	DESCRIPTION	REF. NO.	PART NO.	DESCRIPTION	REF. NO.	PART NO.	DESCRIPTION	
161A	690909	Base–Air Cleaner (Metal) Used on Type No(s). 0114, 0117, 0139, 0156, 0158, 0161, 0172.	206	691244	Nut–Governor Adjusting	211	692069	Spring–Governed Idle (Red) ----- Note -----	
161B	808414	Base–Air Cleaner (Metal) Used on Type No(s). 0065, 0096, 0122, 0125, 0127, 0128, 0130, 0153, 0167, 0168, 0183, 0191.	208	691549	Rod–Governor Control		692068	Spring–Governed Idle (Red) Used on Type No(s). 0078, 0152, 0162, 0179, 0189, 0194.	
163	★692081	Gasket–Air Cleaner	209	692070	Spring–Governor (Main) ----- Note -----		691505	Spring–Governed Idle (White) Used on Type No(s). 0133, 0164, 1415.	
165	693148	Nut (Ring Gear)		692071	Spring–Governor (White) Used on Type No(s). 0117, 0118, 0140, 0161, 0179.		691553	Spring–Governed Idle (Green) Used on Type No(s). 0165.	
167	692297	Seal–Air Cleaner Nut		691506	Spring–Governor (Yellow) Used on Type No(s). 0078, 0152, 0194.		806868	Spring–Governed Idle (Blue) Used on Type No(s). 0162, 0200.	
182E	841601	Bracket–Fuel Tank		691508	Spring–Governor (Blue) Used on Type No(s). 0156, 0158, 0172, 0179, 0201.	211A	690707	Spring–Governed Idle (White) Used on Type No(s). 0121, 0122, 0126, 0128, 202.	
182F	691520	Bracket–Fuel Tank		690716	Spring–Governor (Green) Used on Type No(s). 0133, 0189, 1415.	212	690712	Link–Throttle	
182G	841600	Bracket–Fuel Tank		691507	Spring–Governor (Brown) Used on Type No(s). 0154, 0165.	212A	691519	Link–Throttle	
182H	691524	Bracket–Fuel Tank		806507	Spring–Governor (Black) Used on Type No(s). 0165.	216	690705	Link–Choke	
182J	691525	Bracket–Fuel Tank		806872	Spring–Governor (Orange) Used on Type No(s). 0162, 0200.	217	806862	Spring–Choke Return	
187	791766	Line–Fuel (Cut To Required Length)		209A	690709	Spring–Governor Used on Type No(s). 0121, 0122, 0126, 0128, 0202.	222	808454	Bracket–Control (Used With Control Lever And/Or Wire With "Z" Formed End)
187A	791801	Line–Fuel (Cut To Required Length) Used on Type No(s). 0122, 0125, 0127, 0128, 0130.		210	691370	Strainer–Fuel	226	692075	Rod–Hand Choke
187B	692107	Line–Fuel Used on Type No(s). 0122, 0125, 0127, 0128, 0130.				227	690236	Lever–Governor Control	
187C	692106	Line–Fuel Used on Type No(s). 0122, 0125, 0127, 0128, 0130.				231	690718	Screw (Choke Valve)	
188	692056	Screw (Control Bracket) (14mm Bracket)				232	692073	Spring–Governor Link	
190	692199	Screw (Fuel Tank)				234	691723	Clip–Control Rod	
192	807623	Adjuster–Rocker Arm				239	690233	Switch–Oil Pressure ----- Note -----	
197	807163	Screw (Back Plate)					491657s	Switch–Oil Pressure Used on Type No(s). 0066, 0145, 0191, 0194.	
203	690923	Crank–Bell							
205	692083	Screw (Bell Crank)							

★ Included in Engine Gasket Set–Ref. No. 358.

● Included in Carburetor Overhaul Kit–Ref. No. 121 or 121A.

△ Included in Valve Gasket Set–Ref. No. 1095B.

Illustrations cover a range of engines. Parts shown without corresponding text may not be used on your specific engine.

356400

REF. NO.	PART NO.	DESCRIPTION	REF. NO.	PART NO.	DESCRIPTION	REF. NO.	PART NO.	DESCRIPTION
240A	691035	Filter-Fuel	300G	691562	Muffler	308B	841317	Cover-Cylinder Head (Cylinder 1)
240B	808116s	Filter-Fuel Used on Type No(s). 0122, 0125, 0127, 0128, 0130.			Used on Type No(s). 0133, 0172. ----- Note -----			Used on Type No(s). 0124, 0154, 0179.
255	●690721	Bushing-Choke Shaft			692464 Muffler	308F	841182	Cover-Cylinder Head (Cylinder 2)
262	692083	Screw (Rod Bracket)			Used on Type No(s). 0161.	309	691564	Motor-Starter (Steel Ring Gear Only)
265	691024	Clamp-Casing	300K	808379	Muffler	309A		Motor-Starter (For Replacement Starter Motor, Order Reference 309)
267	692083	Screw (Casing Clamp)			Used on Type No(s). 0133.			
268	691025	Casing-Control Wire	300L	808380	Muffler			
269	691026	Wire-Control	304	841397	Housing-Blower	309B	808817	Motor-Starter Used on Type No(s). 0116, 0155, 0166, 0167, 0183.
270	691027	Nut (Control Wire Casing)			Used on Type No(s). 0114, 0117, 0118, 0124, 0156, 0162, 0172, 0179, 0200.			
271	692541	Lever-Control			----- Note -----	310	496880	Screw (Starter Motor)
271A	692105	Lever-Control			842710 Housing- Blower	310A	690323	Screw (Starter Motor)
271B	691028	Lever-Control			Used on Type No(s). 0149, 0150.	311	496887	Brush Set
273	★690681	Seal-O Ring (Oil Pump)	304A	841398	Housing-Blower	311A	497608	Brush Set
276★△●690724		Washer-Sealing			Used on Type No(s). 0079, 0115, 0116, 0139, 0140, 0154, 0157, 0171, 0191, 0197, 0201.	311B	825411	Brush Set
276A	807085	Washer-Sealing (Head)(Rocker Cover)			----- Note -----	318	690932	Screw (Mounting Bracket)
276B	●806137	Washer-Sealing (Solenoid)			842742 Housing- Blower	322	841233	Screw (Cylinder Head Cover)
278	842122	Washer (Governor Control Lever)	304C	841732	Housing-Blower	322A	692067	Screw (Cylinder Head Cover)
280	691526	Bracket-Rod			Used on Type No(s). 0152, 0158, 0161, 0164, 0166, 0167, 0202, 0215, 0331.			Used on Type No(s). 0124, 0154, 0179.
281	690742	Panel-Control				332	690887	Nut (Flywheel)
282	692083	Screw (Control Lever)				333	492341	Armature-Magneto
287	692062	Screw (Dipstick Tube)				334	692066	Screw (Magneto Armature)
300B	498984s	Muffler Used on Type No(s). 0158, 0201.	305	692056	Screw (Blower Housing) (14mm)			
300D	692099	Muffler Used on Type No(s). 0066, 0149, 0150, 0152, 0191, 0202.	305A	841233	Screw (Blower Housing) (M6 X 10)			
300E	690906	Muffler	308	841183	Cover-Cylinder Head (Cylinder 1)			
300F	690931	Muffler (Hi Mount) (Starter Side Exit) Used on Type No(s). 0154.	308A	841316	Cover-Cylinder Head (Cylinder 2) Used on Type No(s). 0124, 0154, 0179.			

★ Included in Engine Gasket Set-Ref. No. 358.

● Included in Carburetor Overhaul Kit-Ref. No. 121 or 121A.

△ Included in Valve Gasket Set-Ref. No. 1095B.

Illustrations cover a range of engines. Parts shown without corresponding text may not be used on your specific engine.
5761-21 Assemblies include all parts shown in frames. 11/03/2005

356400

REF. NO.	PART NO.	DESCRIPTION	REF. NO.	PART NO.	DESCRIPTION	REF. NO.	PART NO.	DESCRIPTION
337	491055s	Plug-Spark ----- Note ----- 792015 Plug-Spark Used on Type No(s). 0065, 0066, 0075, 0078, 0079, 0096, 0119, 0121, 0122, 0123, 0124, 0125, 0126, 0127, 0128, 0129, 0130, 0139, 0145, 0154, 0155, 0156, 0157, 0158, 0162, 0163, 0168, 0183, 0194, 0201, 1415.	385	807084	Screw (Fuel Pump)	467	691985	Knob-Air Cleaner
337A	496018s	Plug-Spark Used on Type No(s). 0162, 0179, 0200.	387	808656	Pump-Fuel	468	★690690	Seal-O Ring (Oil Pump Screen)
338	★△691312	Gasket-Dipstick (Dipstick Gasket)	387A	808969	Pump-Fuel Used on Type No(s). 0162, 0179, 0200.	474C	696457	Alternator (9 Amp Regulated) Used on Type No(s). 0153.
346	690661	Screw (Spark Arrestor)	388	820799	Lever-Pinion Drive	474D	696458	Alternator (10-16 Amp Regulated)
347	691995	Switch-Rocker	413	693587	Nut (Starter Motor)	474E	696579	Alternator
349	690238	Nut (Cylinder Head Cover)	415	690283	Plug	474F	841588	Alternator (20 Amp) ----- Note ----- 841178 Alternator Used on Type No(s). 0130, 0165, 1415. 841833 Alternator Used on Type No(s). 0066. (20 Amp)
356	690796	Wire-Stop (Control Panel)	436B	691501	Manifold-Exhaust	479	807084	Screw (Oil Pump Screen) ----- Note ----- 692537 Screw (Oil Pump Screen) Used on Type No(s). 0115, 0149, 0150.
356A	690809	Wire-Stop	436C	691502	Manifold-Exhaust (Cylinder 1) (Side Outlet) Used on Type No(s). 0158, 0201.	493	691518	Bracket-Mounting
356B	692961	Wire-Stop	437	691902	Screw (Exhaust Manifold)	500	691086	Washer (Key Switch)
356E	691999	Wire-Stop	439	★692154	Seal-O Ring (Crankcase Cover/Sump)	501	691185	Regulator (10-16 Amp Regulated) ----- Note ----- 493219 Regulator Used on Type No(s). 0123, 0125.
357	691483	Key-Drive Pulley	445	394018s	Filter-Air Cleaner Cartridge	501A	691188	Regulator (5 To 9 Amp Regulated) Used on Type No(s). 0153.
358	841188	Gasket Set-Engine	445B	393957s	Filter-Air Cleaner Cartridge Used on Type No(s). 0065, 0096, 0122, 0125, 0127, 0130, 0153, 0167, 0168, 0183, 0191.	501B	691573	Regulator (20 Amp) ----- Note ----- 808877 Regulator Used on Type No(s). 0145. 841170 Regulator (20 Amp) Used on Type No(s). 0130, 0165, 1415.
359	691077	Washer (Ground Terminal)	447	841233	Screw (Air Guide Cover)			
363	19203	Puller-Flywheel	455	841794	Cup-Flywheel			
365	690711	Screw (Carburetor)						
373	691612	Nut (Ground Terminal)						
377	808095	Key-Woodruff						
383	19374s	Wrench-Spark Plug ----- Note ----- 19576s Wrench-Spark Plug Used on Type No(s). 0139, 0156, 0157, 0201.						

★ Included in Engine Gasket Set-Ref. No. 358.

● Included in Carburetor Overhaul Kit-Ref. No. 121 or 121A.

△ Included in Valve Gasket Set-Ref. No. 1095B.

Illustrations cover a range of engines. Parts shown without corresponding text may not be used on your specific engine.

356400

REF. NO.	PART NO.	DESCRIPTION	REF. NO.	PART NO.	DESCRIPTION	REF. NO.	PART NO.	DESCRIPTION
503	691532	Strap-Starter	562	690239	Bolt (Governor Control Lever)	613A	692067	Screw (Muffler) Used on Type No(s). 0066, 0149, 0152, 0202.
505	690238	Nut (Governor Control Lever)	563	841735	Screw (Debris Screen Guard)	615	691550	Retainer-Governor Shaft
506	807120	Screw (Carburetor Cover)	565	690682	Stud (Oil Filter Adapter)	616	806685	Crank-Governor
507	691972	Insulator	572	690686	Baffle-Breather	620	494052	Panel-Speed Control
510	496881	Drive-Starter	573	841310	Plate-Back	628	806660	Screw (Fuel Pump Bracket)
520	691084	Terminal-Ground	----- Note -----			628A	692062	Screw (Fuel Pump Bracket) Used on Type No(s). 0162, 0179, 0200.
522	491832	Plug-Dipstick/Fill	841311	Plate-Back	629	806717	Spring-Throttle Return	
523A	693175	Dipstick	Used on Type No(s). 0116, 0166, 0167.	841127	Plate-Back	629A	806716	Spring-Throttle Return
524	★△693172	Seal-Dipstick Tube	Used on Type No(s). 0155, 0183.	841314	Plate-Back	633	●690722	Seal-Choke/Throttle Shaft
525	693174	Tube-Dipstick (Standard)	Used on Type No(s). 0165, 1415.	577	690795	633A	●806131	Seal-Choke/Throttle Shaft
526	692067	Screw (Regulator)(10-16 Amp Regulated)	578	692306	Cable-Starter	635	692076	Boot-Spark Plug
526A	690717	Screw (Regulator)(5 To 9 Amp Regulated) Used on Type No(s). 0153.	578A	692319	Wire Assembly	638	691551	Washer (Cylinder Cover) (Internal Tooth Lockwasher) (Used Before Code Date 03110100).
526B	691547	Screw (Regulator)(20 Amp)	578B	691377	Wire Assembly Used on Type No(s). 0116, 0149, 0150.	638A	690706	Washer (Cylinder Head Cover)(Internal Tooth Lockwasher) Used on Type No(s). 0124, 0154, 0179.
527	690423	Clamp-Tube	592	690939	Nut (Rewind Starter)	643	692079	Retainer-Air Filter
529	690744	Grommet	596	691492	Screw (Oil Pump)	643A	690447	Retainer-Air Filter Used on Type No(s). 0065, 0096, 0122, 0125, 0127, 0130, 0153, 0167, 0168, 0183, 0191.
529A	691527	Grommet Used on Type No(s). 0065, 0066, 0096, 0122, 0125, 0128, 0130, 0153, 0167, 0168, 0183, 0191.	598	807625	Shim-End Play (Crankshaft or Camshaft Bearing)	650	692539	Screw (Oil Deflector)
532	691115	Nut (Mounting Bracket)	601	691038	Clamp-Hose			
544		Armature-Starter (For Replacement Armature, Order Reference 309)	601A	691522	Clamp-Hose			
544A		Armature-Starter (Service With 691564 Starter Motor Only)	601B	791850	Clamp-Hose			
552	690701	Bushing-Governor Crank (Output End)	608	841729	Starter-Rewind			
552A	806686	Bushing-Governor Crank	613	691902	Screw (Muffler)			
561	690713	Nut (Control Lever)	----- Note -----					
			692328	Screw (Muffler) Used on Type No(s). 0154.				

★ Included in Engine Gasket Set-Ref. No. 358.

● Included in Carburetor Overhaul Kit-Ref. No. 121 or 121A.

△ Included in Valve Gasket Set-Ref. No. 1095B.

Illustrations cover a range of engines. Parts shown without corresponding text may not be used on your specific engine.
5761-23 Assemblies include all parts shown in frames. 11/03/2005

356400

REF. NO.	PART NO.	DESCRIPTION	REF. NO.	PART NO.	DESCRIPTION	REF. NO.	PART NO.	DESCRIPTION
664	691087	Nut (Key Switch)	728	691514	Screw (Heat Shield)	819	692056	Screw (Muffler Bracket) (M8 X 14)
668A	691500	Spacer	728B	692067	Screw (Heat Shield)	819D	692062	Screw (Muffler Bracket) (M8 X 18)
674	692056	Screw (Fuel Tank Bracket) (M8 X 14)	729	690586	Clip-Wire	830	809157	Stud-Rocker Arm
674B	692062	Screw (Fuel Tank Bracket) (M8 X 18)	732	690688	Screw (Starter Drive Cover)	832	691571	Guard-Muffler
676	393761	Deflector-Muffler Used on Type No(s). 0150, 0158, 0201.	732A	841233	Screw (Starter Drive Cover)	833	841233	Screw (Air Cleaner Mounting Strap/Stud)
676A	397630	Deflector-Muffler Used on Type No(s). 0162, 0200.	737	690679	Screw (Oil Filter Adapter)	833B	691593	Screw (Air Cleaner Mounting Strap/Stud) Used on Type No(s). 0065, 0096, 0122, 0125, 0127, 0128, 0130, 0153, 0167, 0168, 0183, 0191.
676C	495518	Deflector-Muffler	741	691530	Gear-Timing Retainer (For Replacement Starter Motor, Order Reference 309B)	836	691514	Screw (Muffler Guard)
677	810079	Screw (Muffler Deflector)	774	692067	Screw (Stop Wire)	836A	692067	Screw (Muffler Guard)
677B	690661	Screw (Muffler Deflector)	788	691559	Bracket-Fuel Pump	837	808085	Spacer-Muffler
678	841730	Spacer-Rewind	789	691996	Harness-Wiring ----- Note ----- 841318 Harness-Wiring	840	692096	Kit-Panel
681	808798	Kit-Needle/Seat			Used on Type No(s). 0155, 0183.	843	691322	Sleeve-Lever
683	691029	Nut (Starter Solenoid)			842744 Harness-Wiring Used on Type No(s). 0166, 0167.	849	691088	Screw (Stub Shaft)
683A	820809	Nut (Starter Solenoid)	797	691029	Nut (Brush Retainer)	851	493880s	Terminal-Spark Plug
689	691272	Spring-Friction	797A	693167	Nut (Brush Retainer)	862	692153	Strap/Stud-Air Cleaner Mounting
691	690680	Seal-Governor Shaft	801	808778	Cap-Drive	862D	691565	Strap/Stud-Air Cleaner Mounting Used on Type No(s). 0065, 0096, 0122, 0125, 0127, 0128, 0130, 0153, 0167, 0168, 0183, 0191.
697	692062	Screw (Drive Cap)	801B	691283	Cap-Drive	863	691513	Bracket-Muffler
703	807116	Clip	802	496813	Cap-End	865	807119	Cover-Air Guide (Black)
711	841233	Screw (Carburetor Shield)	802A	691286	Cap-End	865A	841319	Cover-Air Guide (Aluminum) Used on Type No(s). 0124, 0154, 0179.
718	806469	Pin-Locating	802C		Cap-End (For Replacement Starter Motor, Order Reference 309B)			
718B	841581	Pin-Locating (Used After Code Date 04021500). ----- Note ----- 690740 Pin-Locating (Used Before Code Date 04021600).	803	690854	Housing-Starter			
725A	805702	Shield-Heat	803A	693547	Housing-Starter			
725B	691498	Shield-Heat	803B		Housing-Starter (Serviced By 691564 Starter Motor Only)			
725C	806102	Shield-Heat	803C	820783	Housing-Starter			
726		Gear-Ring (Steel)(See Reference 23 for Service)	813	690635	Clamp			
727	841313	Cover-Starter Drive	816	690706	Washer (Oil Filter Adapter)			

★ Included in Engine Gasket Set-Ref. No. 358.

● Included in Carburetor Overhaul Kit-Ref. No. 121 or 121A.

△ Included in Valve Gasket Set-Ref. No. 1095B.

Illustrations cover a range of engines. Parts shown without corresponding text may not be used on your specific engine.

356400

REF. NO.	PART NO.	DESCRIPTION	REF. NO.	PART NO.	DESCRIPTION	REF. NO.	PART NO.	DESCRIPTION
868	★Δ691963	Seal-Valve		842128	Cover- Carburetor	967	272490s	Filter-Pre Cleaner
871	692057	Bushing-Valve Guide			Used on Type No(s). 0075, 0078, 0079, 0121, 0123, 0133, 0145, 0149, 0150, 0152, 0155, 0157, 0166, 0194, 0197, 0202, 0215, 1415.	967C	271794s	Filter-Pre Cleaner Used on Type No(s). 0065, 0096, 0122, 0125, 0127, 0130, 0153, 0167, 0168, 0183, 0191.
877B	393537	Wire/Connector- Alternator		883	★Δ691613	Gasket-Exhaust		
877C	399916	Wire/Connector- Alternator (2 Wires, 7-53/64" Long)(2 Bare Wire Ends, And Insulated Snap Connect Male Pin Terminal)		884	690898	Clamp-Muffler		
				884A	691956	Clamp-Muffler Used on Type No(s). 0158, 0201.		
877D	698092	Wire/Connector- Alternator		892	692318	Switch-Key		
879	841607	Cover-Carburetor ----- Note ----- 842132 Cover- Carburetor (Used After Code Date 04093000). Used on Type No(s). 0065, 0066, 0096, 0122, 0125, 0127, 0128. 842129 Cover- Carburetor (Used Before Code Date 04100100). Used on Type No(s). 0065, 0127, 0128. 842128 Cover- Carburetor (Used Before Code Date 04100100). Used on Type No(s). 0066, 0096, 0122, 0125. 842129 Cover- Carburetor Used on Type No(s). 0119, 0126. 842269 Cover- Carburetor Used on Type No(s). 0114, 0117, 0139, 0156, 0158, 0161, 0172. 842132 Cover- Carburetor Used on Type No(s). 0130, 0146, 0148, 0153, 0167, 0168, 0183, 0191.		893	820805	Nut (Starter Solenoid)		
				899	691077	Washer (Starter Solenoid)		
				914	807120	Screw (Rocker Cover)		
				918	393815	Hose-Vacuum (Cut To Required Length)		
				920	691656	Solenoid-Starter		
				920A	825418	Solenoid-Starter		
				927	691116	Screw (Electronic Governor Module) Used on Type No(s). 0116, 0117, 0149, 0150.		
				930	841490	Guard-Rewind Used on Type No(s). 0158.		
				934	691058	Screw (Fan Retainer)		
				947A	692094	Solenoid-Fuel		
				955A	807723	Plug-Carburetor		
				957A	493988s	Cap-Fuel Tank (Plastic)		
				958B	692008	Valve-Fuel Shut Off (Plastic)		

★ Included in Engine Gasket Set-Ref. No. 358.

● Included in Carburetor Overhaul Kit-Ref. No. 121 or 121A.

Δ Included in Valve Gasket Set-Ref. No. 1095B.

Illustrations cover a range of engines. Parts shown without corresponding text may not be used on your specific engine.

5761-25

Assemblies include all parts shown in frames.

11/03/2005

356400

REF. NO.	PART NO.	DESCRIPTION	REF. NO.	PART NO.	DESCRIPTION	REF. NO.	PART NO.	DESCRIPTION
971	807084	Screw (Air Cleaner Base to Carburetor)	1028	808235	Adapter–Oil Filter ----- Note -----	1133	690342	Screw (Crankshaft)
972A	690663	Tank–Fuel (Plastic)		808033	Adapter–Oil Filter Used on Type No(s). 0066, 0116, 0145, 0149, 0150, 0152, 0191, 0194, 0202.	1176	842067	Nut (Exhaust Manifold)
988	★692063	Gasket–Oil Adapter				1254	807084	Screw (Rocker Cover Stud)
990	691959	Key Set				1330	272144	Repair Manual
994	392390	Arrestor–Spark				1346	492031	Valve–Oil Drain Shut Off
996A	691577	Shield–Carburetor	1029	807323	Arm–Rocker	1392	690939	Nut (Rewind Guard) Used on Type No(s). 0158.
1004	807121	Duct–Air ----- Note ----- 690743 Duct–Air Used on Type No(s). 0200.	1036		Label–Emissions (Available from an Authorized Briggs & Stratton Service Dealer)			
1005	841439	Fan–Flywheel	1038	691567	Rod–Fuel Shut Off			
1006	690452	Retainer–Fan	1044	692056	Screw (Flywheel)			
1009	806474	Screw (Starter Motor)	1046	692082	Plug–Blower Housing			
1012	690592	Retainer–Link	1047	841580	Shaft–Stub			
1017	690900	Screen–Oil Pump	1048	690669	Module–Electronic Governor			
1019	808036	Kit–Label						
1022★△	806039s	Gasket–Rocker Cover	1051	691124	Ring–Retaining			
1023B	691494	Cover–Rocker	1054A	280275	Tie–Cable			
1023C	690910	Cover–Rocker (Cylinder 1) (With Fuel Pump)	1058	276343	Operator’s Manual			
1023D	691558	Cover–Rocker	1059	698516	Kit–Screw/Washer			
1023E	691531	Cover–Rocker	1090	691293	Retainer–Brush			
1024	693185	Pump–Oil	1091	●691516	Cap–Limiter			
1025	690689	Spool–Governor	1095B	841191	Gasket Set–Valve			
1026	691836	Rod–Push (Steel) ----- Note ----- 691758 Rod–Push (Exhaust)(Aluminum)	1100	791959	Pivot–Rocker Arm			
1027	492932s	Filter–Oil (2 1/4” Long)	1119	691552	Screw (Alternator) ----- Note ----- 841835 Screw (Alternator) Used on Type No(s). 0066. 807117 Screw (Alternator) Used on Type No(s). 0116, 0166, 0167.			

★ Included in Engine Gasket Set–Ref. No. 358.

● Included in Carburetor Overhaul Kit–Ref. No. 121 or 121A.

△ Included in Valve Gasket Set–Ref. No. 1095B.

Illustrations cover a range of engines. Parts shown without corresponding text may not be used on your specific engine.