

Illustrated Parts List

Model Series

290700 to 290799

TYPE NUMBERS
0100, 0102,
0106, 0107, 0108,
0333, 0402, 0410.

**TO FIND
THE CORRECT NUMBER OF THE PART YOU NEED:
FOLLOW THE INSTRUCTIONS BELOW**

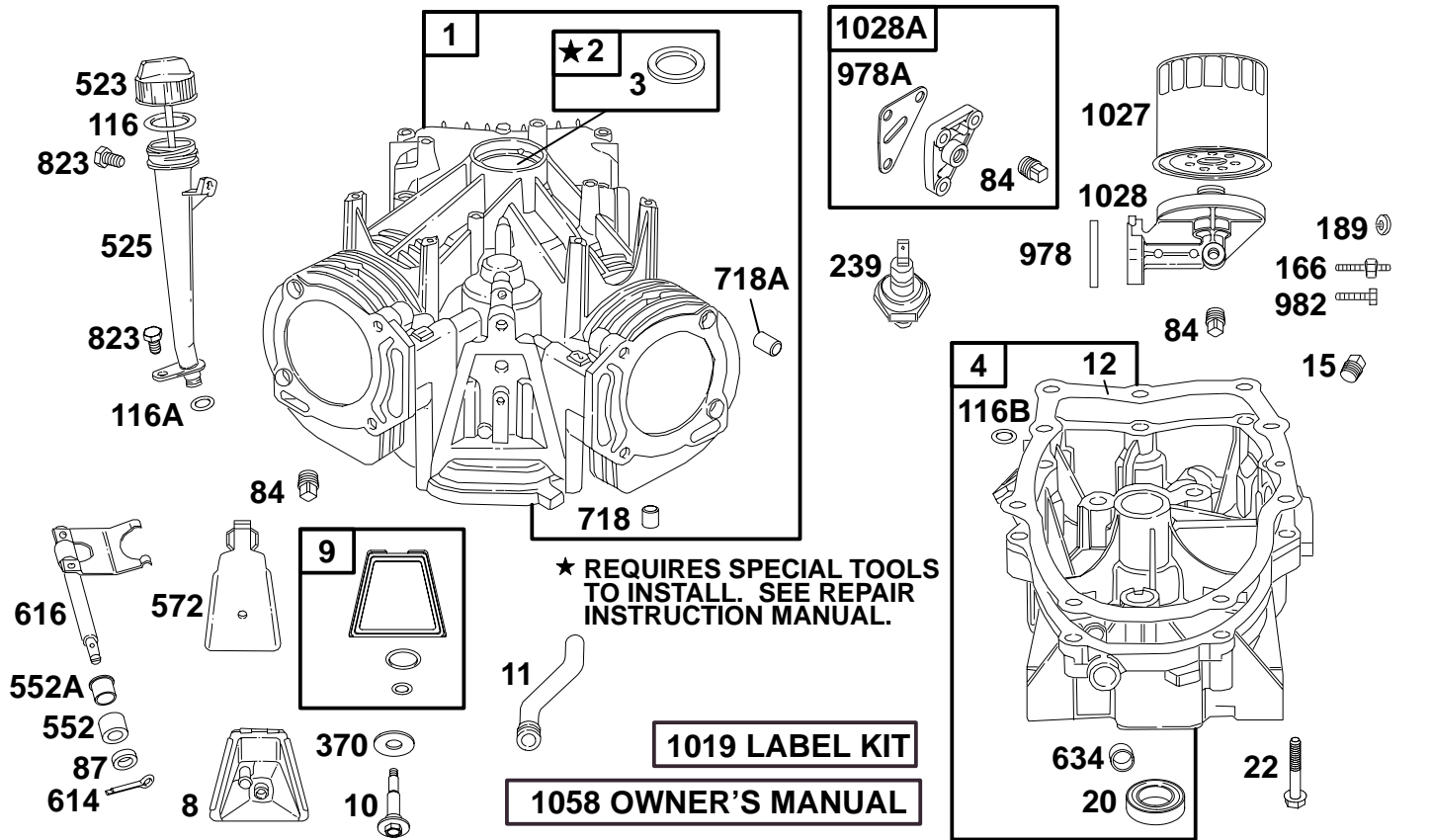
- A. Refer to Engine Model, Type and Code Number that is stamped on the blower housing of engine. Engine type numbers such as 0123 01 are listed only as 0123 in most instances. The two digits (01 or 02, etc.) to the right of the space may be required for more accurate parts identification in some instances. Select the Illustrated Parts List covering the correct Model Series and Type Number.
- B. Refer to the Illustrations and compare the original part with Illustration. The number next to the illustration is the Reference Number. Assemblies include all parts shown in frames. All parts shown in assembly frames having individual reference numbers can be purchased separately.
- C. After the Reference Number has been identified, refer to the Numerical text, where Reference and Primary Part Number are listed. **THE PRIMARY PART IS USED ON ALL TYPE NUMBERS EXCEPT THOSE TYPE NUMBERS UNDER "NOTE."**
- D. If a "Note" appears below the Primary Part Number, it means that this part differs from the Primary Part for certain types. If your Type number is listed under "Note," order the part referred to at the "Note."
- E. If your Engine Type Number does not appear after any part number listed under "Note," use the Primary Part Number.
- F. For Engine Type Numbers not covered by this book, check other Parts Lists having the same engine model or contact your source of supply.

PRINTED IN U.S.A.



COPYRIGHT by BRIGGS & STRATTON CORPORATION
All rights reserved. No part of this material may be reproduced or transmitted, in any form or by any means, electronic or mechanical, including photocopying, recording or by any information storage and retrieval system, without permission in writing from Briggs & Stratton Corporation.

290700 to 290799



REF. NO.	PART NO.	DESCRIPTION	REF. NO.	PART NO.	DESCRIPTION	REF. NO.	PART NO.	DESCRIPTION
1	807511	Cylinder Assembly	22	805696	Screw-Hex.	634	805416	Washer
2	807687	Bushing	84	805059	Plug-Oil	718	805103	Dowel-Sleeve
3	★805101	Seal-Oil	87	★805054	Seal-Governor Shaft	718A	805102	Dowel-Sleeve (Used Before Code Date 90091100).
4	807638	Sump-Engine	116	★270920	Seal-O-Ring	823	805317	Screw-Hex.
8	807795	Breather Assembly	116A	★805011	Seal-O-Ring	978	★805250	Gasket-Oil Adapter
		Note	116B	★805198	Seal-O-Ring	978A	★805229	Gasket-Oil Adapter
		807893 Breather Assembly (Used Before Code Date 90111500).	166	805073	Stud-Hex. Drive	982	805030	Screw-Hex.
9	★807688	Gasket-Breather	189	805449	Washer-Lock	1019	808035	Label Kit
10	805751	Screw-Shoulder	239	491657	Switch-Oil Pressure	1027	491056	Filter-Oil (3-1/4" Long)
		Note	370	805484	Washer-Flat			Note
		805194 Screw-Hex. (Used Before Code Date 90111500).	523	807516	Dipstick			492932 Filter-Oil (2-1/4" Long) Used on Type No(s). 0333.
11	805362	Tube-Breather	525	807501	Tube-Oil Fill	1028	808235	Adapter-Filter
12	★805112	Gasket-Crankcase	552	805412	Bushing-Governor Crank	1028A	807689	Cover-Pump
15	805048	Plug-Oil Drain	552A	805413	Bushing-Governor Crank	1058	272104	Owner's Manual
20	★805049	Seal-Oil	572	805197	Plate-Breather			
			614	805417	Retainer-Governor Shaft			
			616	807596	Crank-Governor			

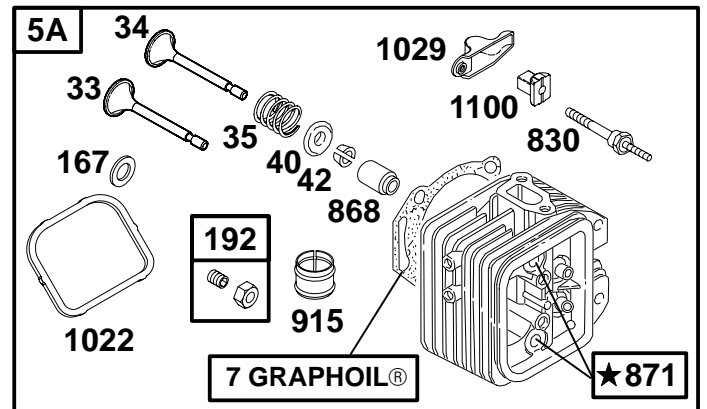
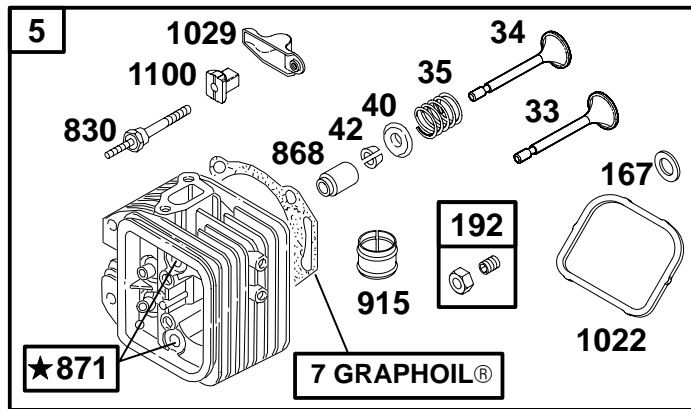
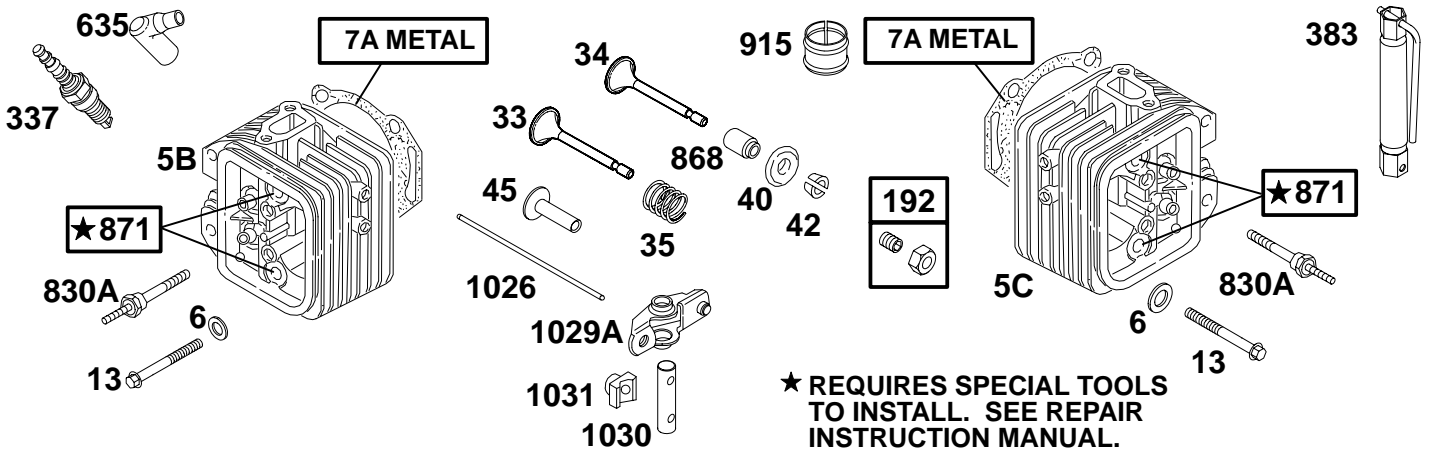
★ Included in Gasket Set-See Ref. No. 358.

△ Included in Valve Overhaul Kit-See Ref. No. 1033.

● Included in Carburetor Kit-See Ref. No. 121.

◆ Included in Carburetor Gasket Set-See Ref. No. 977.

290700 to 290799

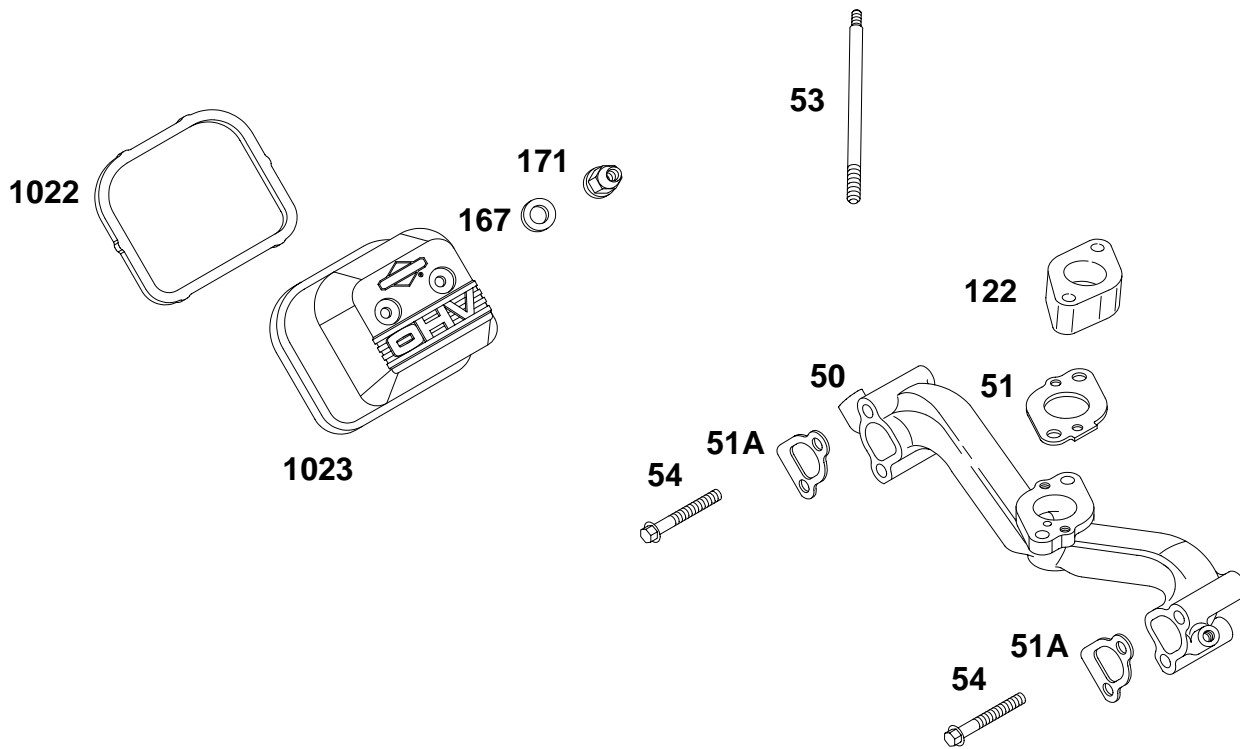


REF. NO.	PART NO.	DESCRIPTION	REF. NO.	PART NO.	DESCRIPTION	REF. NO.	PART NO.	DESCRIPTION
5	808381	Head-Cylinder #1	35	805937	Spring-Valve	1022	★806039	Gasket-Rocker Cover
5A	808382	Head-Cylinder #2		Note	1026	805352	Rod-Push (Steel)	
5B	807987	Head-Cylinder #1 (Used Before Code Date 96040100).		805078 Spring-Valve (Used Before Code Date 94011800).			Note	
5C	807988	Head-Cylinder #2 (Used Before Code Date 96040100).	40	805092	Retainer-Valve		805617 Rod-Push (Aluminum) (Exhaust Side Only)	
6	Δ805193	Washer-Flat (Used Before Code Date 94050100).	42	807683	Retainer-Valve	1029	806036	Arm-Rocker
7	Δ★806085	Gasket-Cylinder Head	45	262679	Tappet-Valve	1029A	808096	Arm-Rocker (Used After Code Date 94011700 and Before Code Date 96040100).
7A	807986	Gasket-Cylinder Head (Used Before Code Date 96040100).	167	Δ★805420	Washer			Note
13	805097	Screw-Hex.	192	807623	Adjuster-Rocker Arm			808159 Arm-Rocker (Used Before Code Date 94011800).
33	807681	Valve-Exhaust	337	491055	Plug-Spark	1030	805342	Shaft-Rocker Arm
34	807680	Valve-Intake	383	19374	Wrench-Spark Plug	1031	805341	Support-Rocker Arm
			635	805529	Boot-Spark Plug	1100	806038	Pivot-Rocker Arm
			830	806037	Stud-Rocker Arm			
			830A	805343	Stud-Rocker Arm (Used Before Code Date 96040100).			
			868	805094	Seal-Valve			
			871	805084	Bushing-Guide			
			915	805083	Liner-Port			

★ Included in Gasket Set—See Ref. No. 358.
 Δ Included in Valve Overhaul Kit—See Ref. No. 1033.

● Included in Carburetor Kit—See Ref. No. 121.
 ◆ Included in Carburetor Gasket Set—See Ref. No. 977.

290700 to 290799

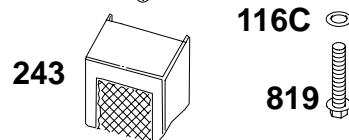
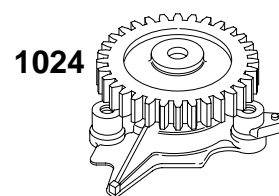
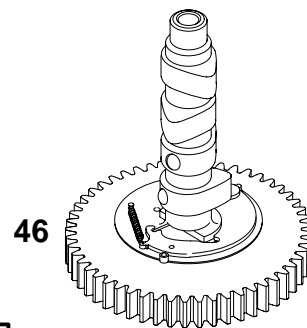
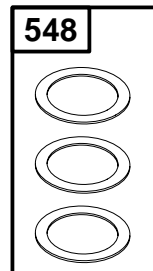
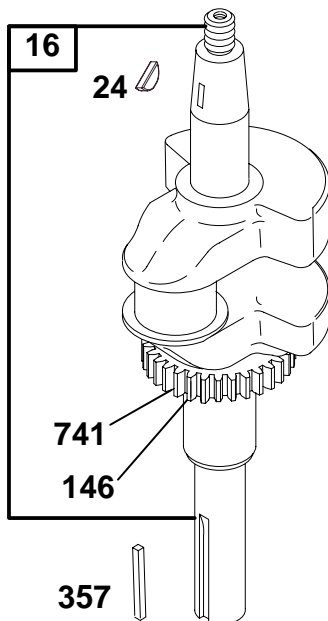
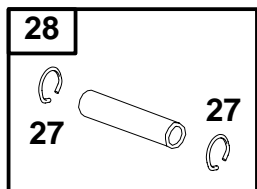
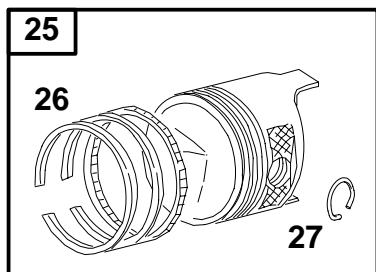
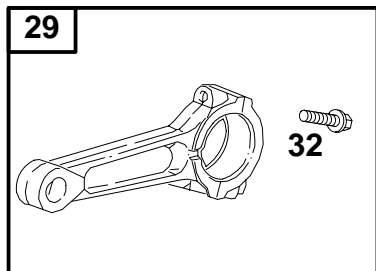


REF. NO.	PART NO.	DESCRIPTION	REF. NO.	PART NO.	DESCRIPTION	REF. NO.	PART NO.	DESCRIPTION
50	805409	Manifold-Intake	122	805770	Spacer-Carburetor	171	Δ805019	Nut-Lock
51	★805700	Gasket-Intake Mounting			Note	1022	Δ★806039	Gasket-Rocker Cover
51A	Δ★805023	Gasket-Intake			805329			Cover-Rocker
53	805669	Stud-Intake Manifold						Note
54	805006	Screw-Hex.						807665
			167	Δ★805420	Washer			
								(Used on Cylinder #1 on Fuel Pump Applications).

★ Included in Gasket Set-See Ref. No. 358.
 Δ Included in Valve Overhaul Kit-See Ref. No. 1033.

● Included in Carburetor Kit-See Ref. No. 121.
 ◆ Included in Carburetor Gasket Set-See Ref. No. 977.

290700 to 290799



REF. NO.	PART NO.	DESCRIPTION	REF. NO.	PART NO.	DESCRIPTION	REF. NO.	PART NO.	DESCRIPTION
16	807586	Crankshaft	26	807620	Ring Set (Standard)	32	805395	Screw-Connecting Rod
24	806066	Key-Flywheel		807808	Ring Set (.010" O.S.)	46	807542	Gear-Cam
		Note _____		807810	Ring Set (.020" O.S.)	116C	★805058	Seal-O-Ring
		805016 Key-Flywheel (Used Before Code Date 95030100).		807812	Ring Set (.030" O.S.)	146	94196	Key-Timing
25	807619	Piston Assembly (Standard)				243	805964	Screen-Oil Pump
		807807 Piston Assy. (.010" O.S.)	27	805099	Lock-Piston Pin	357	91540	Key-Drive Pulley
		807809 Piston Assy. (.020" O.S.)	28	807621	Pin-Piston (Standard)	548	807625	Washer Set
		807811 Piston Assy. (.030" O.S.)	29	807900	Rod-Connecting (Standard)	741	805675	Gear-Timing
				807803	Rod-Connecting (.020" Undersize)	819	805057	Screw-Hex.
						1024	807546	Pump-Oil
						1025	805313	Spool-Governor

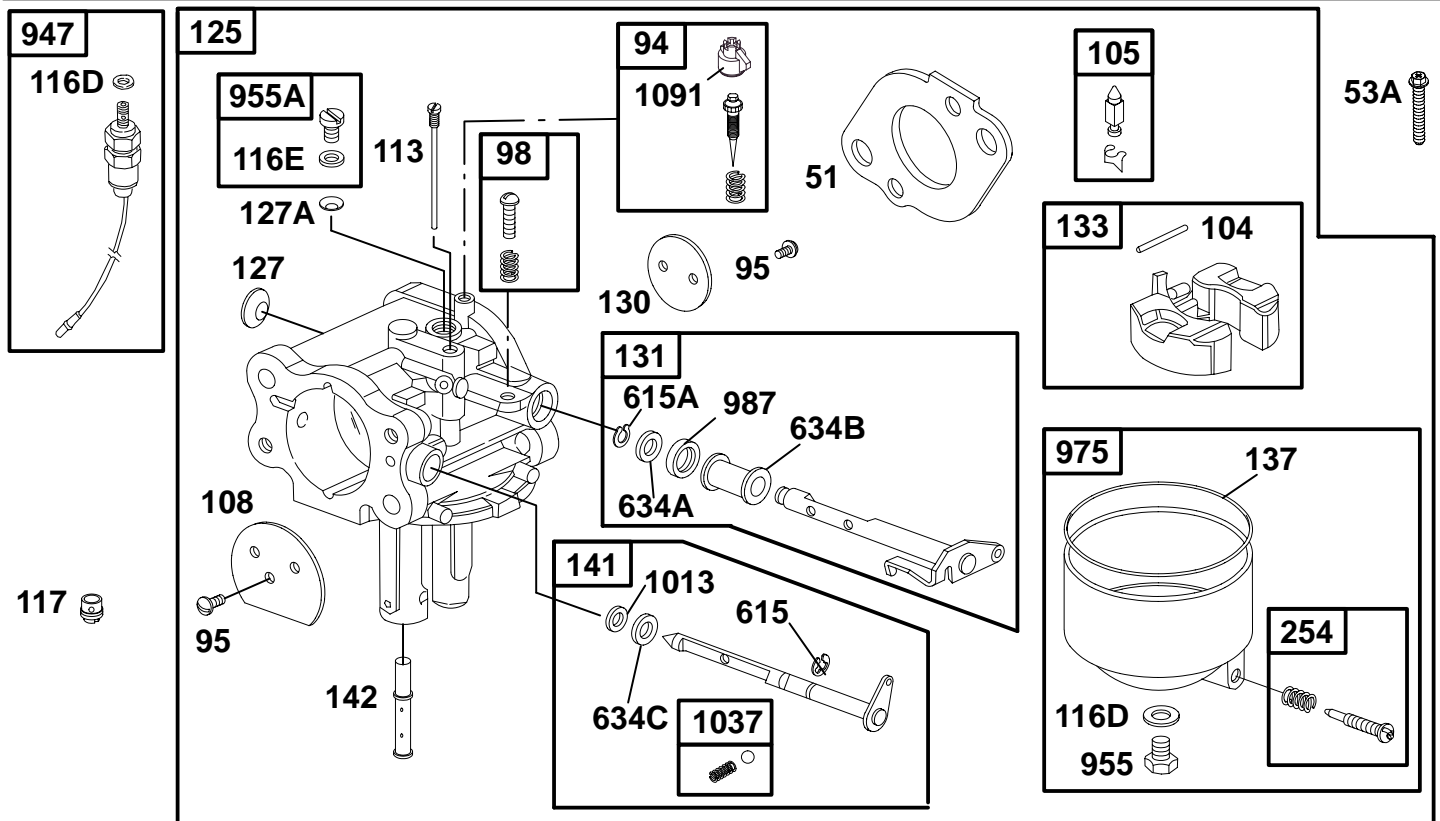
★ Included in Gasket Set-See Ref. No. 358.

△ Included in Valve Overhaul Kit-See Ref. No. 1033.

● Included in Carburetor Kit-See Ref. No. 121.

◆ Included in Carburetor Gasket Set-See Ref. No. 977.

290700 to 290799

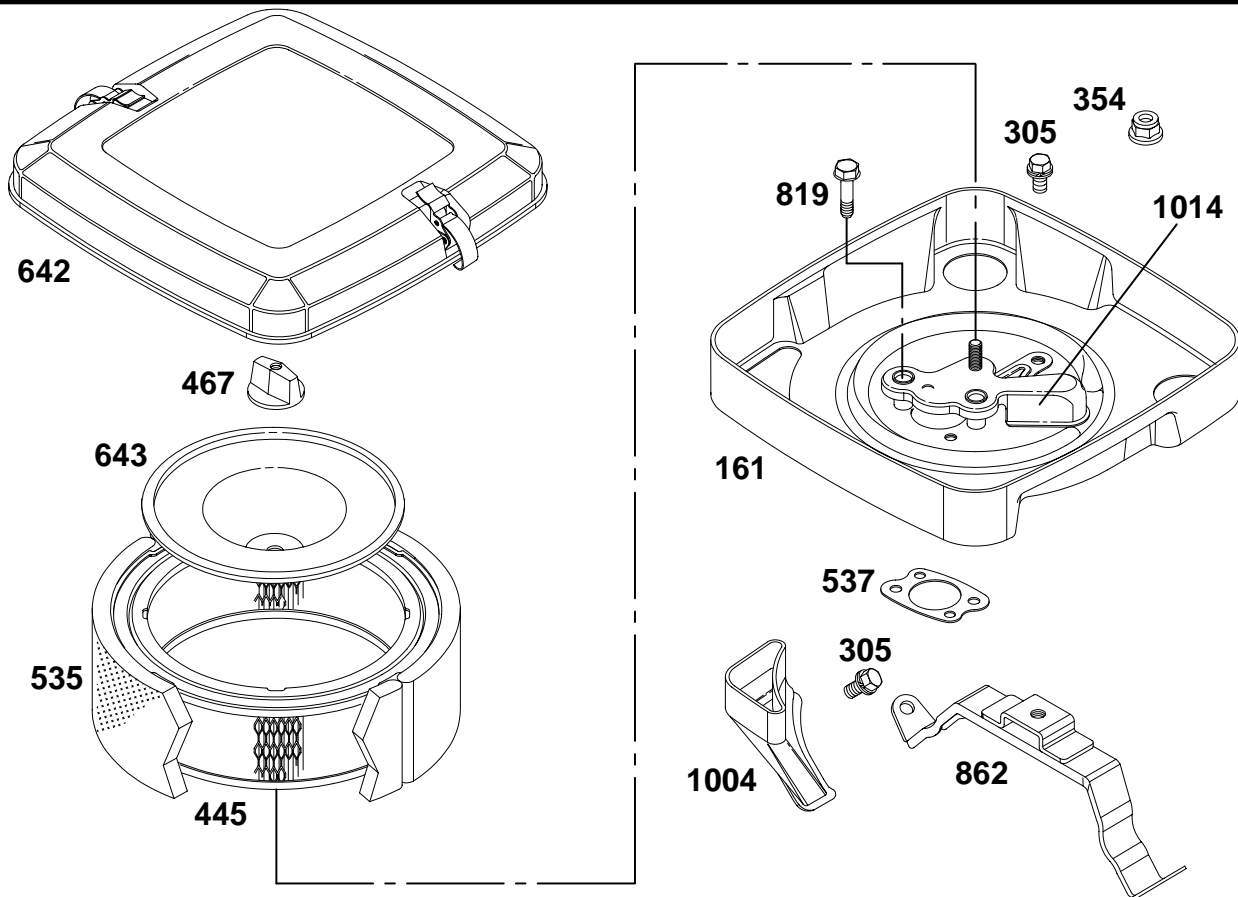


REF. NO.	PART NO.	DESCRIPTION	REF. NO.	PART NO.	DESCRIPTION	REF. NO.	PART NO.	DESCRIPTION
51	★805700	Gasket-Intake	127	●805570	Plug-Welch	634A	●805576	Washer-Spacer
53A	805360	Screw-Phillips Hex.	127A	●805571	Plug-Welch	634B	●805574	Spacer
94	●808258	Valve-Idle Adjustment	130	805572	Valve-Throttle	634C	●805580	Washer
		Note	131	808323	Throttle-Shaft	947	807744	Solenoid-Fuel
		●807707 Valve-Idle Adjustment (Used Before Code Date 94102800).			Note	955	805592	Screw-Bowl Mounting
95	805561	Screw-Choke/Throttle	133	807710	Float-Carburetor	955A	807714	Plug-Carburetor
98	807705	Screw-Idle Speed	137	◆●	Gasket-Float Bowl (Sold in Kit Only)	975	807715	Bowl-Float
104	●805586	Pin-Float Hinge	141	807711	Choke Shaft Kit	987	◆●806079	Seal-Throttle Shaft
105	●807706	Valve-Needle	142	●807960	Nozzle-Carburetor			Note
108	805562	Valve-Choke			Include(s): Standard Main Jet			◆●805575 Seal-Throttle Shaft (Used Before Code Date 95010100).
113	●805777	Tube-Jet			Note	1013	◆●805581	Seal-Choke Shaft
116D	◆●224531	Washer-Seal			●807712 Nozzle-Carburetor	1037	●807717	Ball-Choke Locator
116E	◆●	Gasket-Plug (Sold in Kit Only)			Include(s): Standard Main Jet (Used Before Code Date 93020100).	1091	●805858	Cap-Limiter
117	805755	Jet-Main (High Altitude)	254	807713	Drain-Carburetor Bowl			
125	808255	Carburetor	615	●805578	Retainer-E-Ring			
		Note	615A	●805577	Ring-Retaining			
		807639 Carburetor (Used Before Code Date 92040700).						

★ Included in Gasket Set-See Ref. No. 358.
 △ Included in Valve Overhaul Kit-See Ref. No. 1033.

● Included in Carburetor Kit-See Ref. No. 121.
 ◆ Included in Carburetor Gasket Set-See Ref. No. 977.

290700 to 290799



REF. NO.	PART NO.	DESCRIPTION	REF. NO.	PART NO.	DESCRIPTION	REF. NO.	PART NO.	DESCRIPTION
161	807857	Base—Air Cleaner (Metal)	535	272490	Filter—Air Cleaner Cartridge	862	807859	Strap—Cleaner Mounting
305	805406	Screw—Hex.	537	★805655	Gasket—Air Cleaner	1004	805632	Duct—Air
354	810078	Nut—Hex.	642	807862	Cover—Air Cleaner	1014	807797	Shield—Carburetor
445	394018	Filter—Air Cleaner Cartridge	643	805631	Retainer—Air Filter			
467	491875	Nut—Air Cleaner	819	805057	Screw—Hex.			

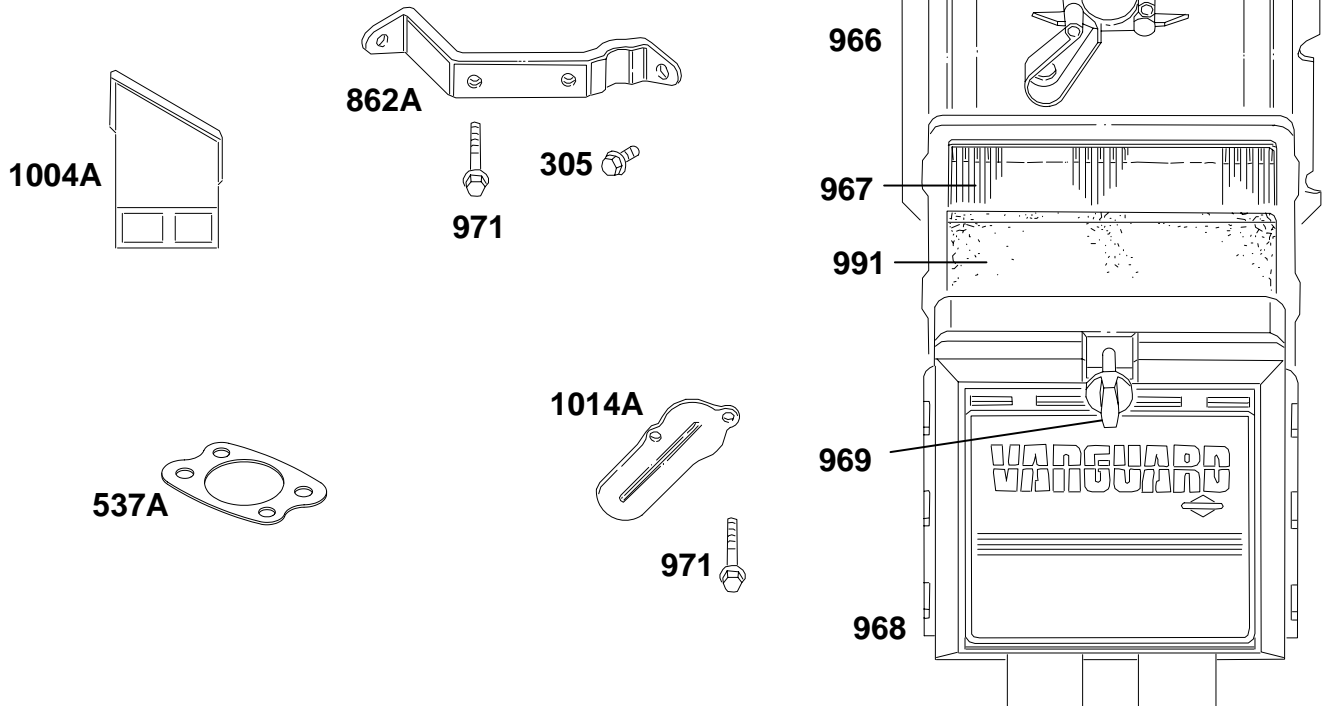
★ Included in Gasket Set—See Ref. No. 358.

△ Included in Valve Overhaul Kit—See Ref. No. 1033.

● Included in Carburetor Kit—See Ref. No. 121.

◆ Included in Carburetor Gasket Set—See Ref. No. 977.

290700 to 290799

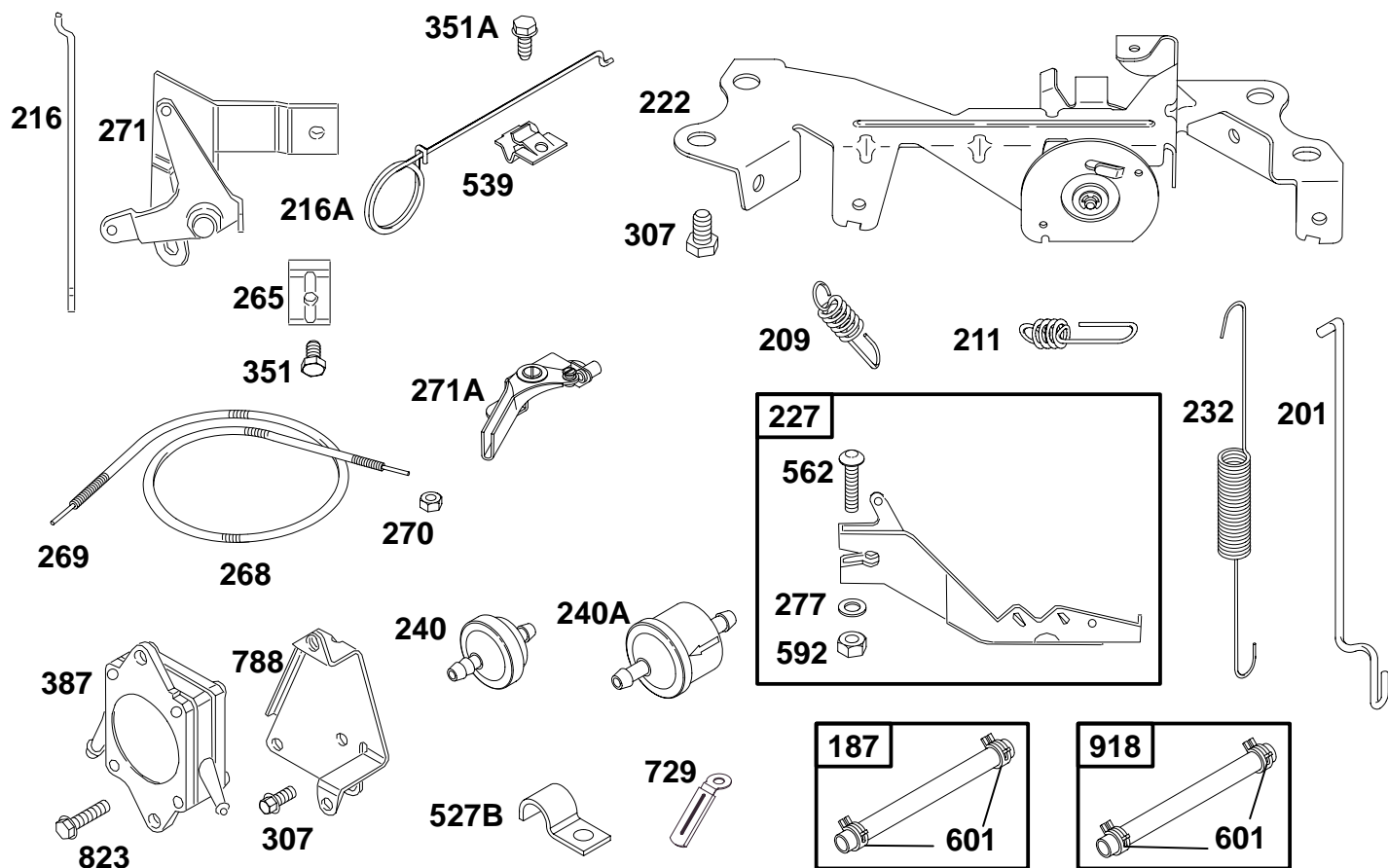


REF. NO.	PART NO.	DESCRIPTION	REF. NO.	PART NO.	DESCRIPTION	REF. NO.	PART NO.	DESCRIPTION
305	805406	Screw-Hex.	966	807564	Base-Air Cleaner (Plastic)	971	805405	Screw-Hex.
537A	★805003	Gasket-Air Cleaner	967	805113	Filter-Air	991	805267	Filter-Air
862A	807576	Strap-Cleaner Mounting	968	805359	Cover-Air Cleaner	1004A	805363	Duct-Air
			969	807565	Screw-Wing	1014A	805370	Shield-Carburetor

★ Included in Gasket Set-See Ref. No. 358.
 Δ Included in Valve Overhaul Kit-See Ref. No. 1033.

● Included in Carburetor Kit-See Ref. No. 121.
 ◆ Included in Carburetor Gasket Set-See Ref. No. 977.

290700 to 290799



REF. NO.	PART NO.	DESCRIPTION	REF. NO.	PART NO.	DESCRIPTION	REF. NO.	PART NO.	DESCRIPTION
187	296004	Line-Fuel (Cut to Required Length)	222	808195	Bracket-Control Note	271	807609	Control-Choke
201	805480	Link-Throttle			807610	271A	290568	Lever-Control
209	805462	Spring-Governor Note			(Used Before Code Date 95050100).	277	805018	Washer-Flat
		805460	227	807528	Lever-Governor	307	805025	Screw-Hex.
		Spring-Governor Used on Type No(s). 0100, 0102, 0402.	232	805465	Spring-Link	351	805169	Screw-Phillips Hex.
		805461	240	394358	Filter-Fuel	351A	805762	Screw-Hex.
		Spring-Governor Used on Type No(s). 0108, 0410.	240A	493629	Filter-Fuel	387	491922	Pump-Fuel
211	805453	Spring-Governor Idle	265	221535	Clamp-Casing	527B	223167	Clamp-Tube
216	805439	Link-Choke	268	65616	Casing-Wire (72" Long) (Cut to Required Length)	539	221372	Clip-Rod
216A	805509	Rod-Hand Choke	269	26633	Wire-Control (78" Long) (Cut to Required Length)	562	805381	Bolt-Governor Lever
			270	63426	Locknut-Casing	592	805383	Nut-Hex.
						601	93053	Clamp-Hose
						729	805965	Clip-Wire
						788	807685	Bracket-Pump
						823	805317	Screw-Hex.
						918	393815	Hose-Vacuum (Cylinder-To-Impulse Pump) (Cut to Required Length)

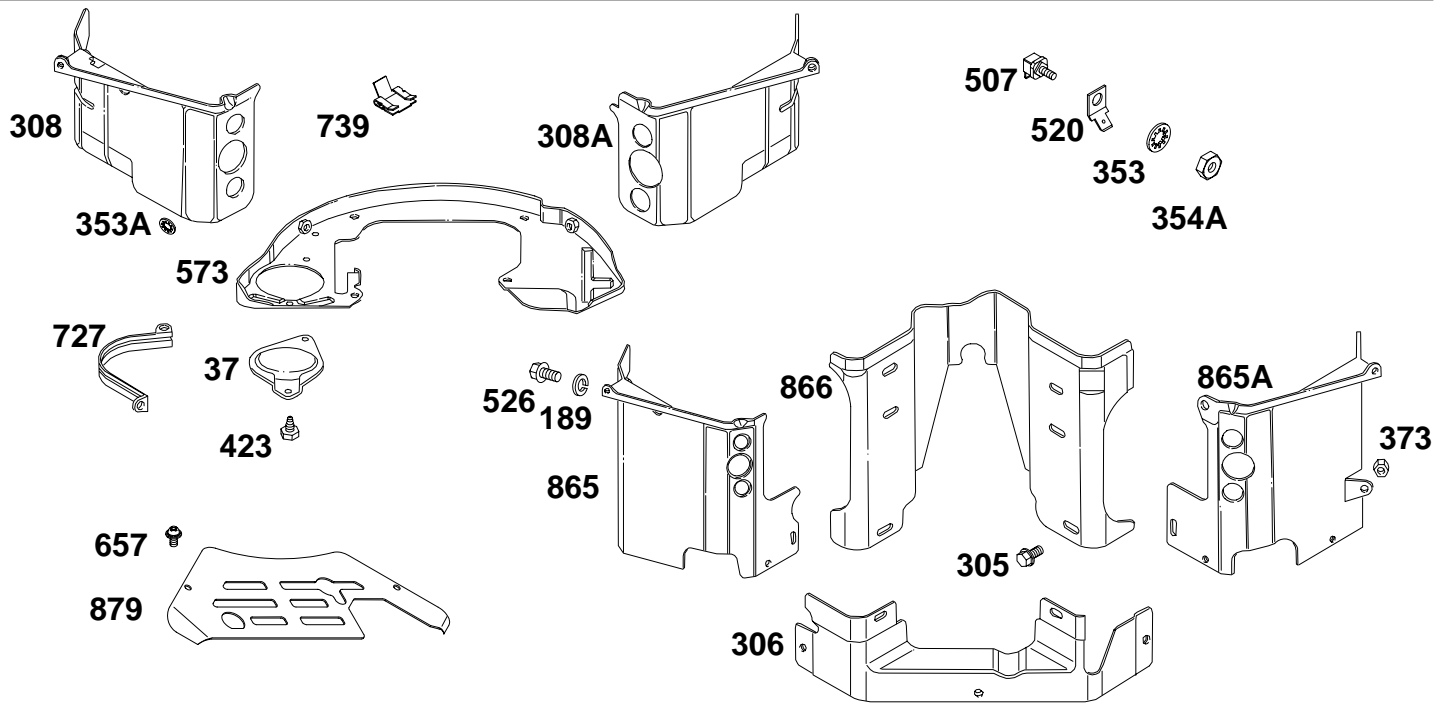
★ Included in Gasket Set-See Ref. No. 358.

△ Included in Valve Overhaul Kit-See Ref. No. 1033.

● Included in Carburetor Kit-See Ref. No. 121.

◆ Included in Carburetor Gasket Set-See Ref. No. 977.

290700 to 290799



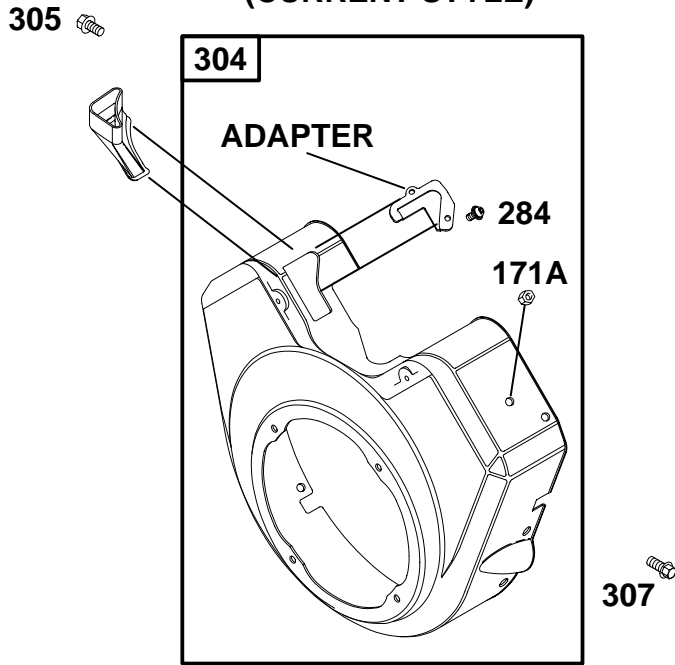
REF. NO.	PART NO.	DESCRIPTION	REF. NO.	PART NO.	DESCRIPTION	REF. NO.	PART NO.	DESCRIPTION	
37	805506	Guard-Flywheel (Black) —— Note —— 805504 Guard-Flywheel (Red)		807649	Cover-Cylinder (Cylinder #2, Red) (Used Before Code Date 90111700). Used on Type No(s). 0100, 0102.	865	807870	Cover-Cylinder (Cyl. #1, Black) —— Note —— 807658 Cover-Cylinder (Cyl. #1, Black) (Used Before Code Date 90111700). Used on Type No(s). 0108.	
189	805449	Washer-Lock	353	92791	Washer-Lock	865A	807871	Cover-Cylinder (Cylinder #2, Black) —— Note —— 807659 Cover-Cylinder (Cylinder #2, Black) (Used Before Code Date 90111700). Used on Type No(s). 0108.	
305	805406	Screw-Hex.	353A	806101	Washer-Terminal		866	805738	Cover-Air Guide (Black) —— Note —— 807652 Cover-Air Guide (Red)
306	807661	Cover-Air Guide (Cylinder #1, Black) —— Note —— 807656 Cover-Cylinder (Cylinder #1, Black) (Used Before Code Date 90111700). Used on Type No(s). 0106, 0107.	354A	90576	Nut-Hex.		879	805841	Cover-Carburetor
308	807868	Cover-Cylinder (Cylinder #1, Black) —— Note —— 807655 Cover-Cylinder (Cylinder #2, Black) (Used Before Code Date 90111700). Used on Type No(s). 0106, 0107.	373	805383	Nut-Hex.				
308A	807869	Cover-Cylinder (Cylinder #2, Black) —— Note —— 807657 Cover-Cylinder (Cylinder #2, Black) (Used Before Code Date 90111700). Used on Type No(s). 0106, 0107.	423	805260	Screw-Phillips Hex.				
			507	398525	Insulator				
			520	93722	Terminal				
			526	805448	Screw-Phillips Hex.				
			573	807663	Plate-Back (Black) —— Note —— 807655 Plate-Back (Red)				
			657	805009	Screw-Phillips				
			727	805505	Cover-Starter Drive (Black) —— Note —— 805503 Cover-Starter Drive (Red)				
			739	224356	Clip-Debris				

★ Included in Gasket Set—See Ref. No. 358.
 △ Included in Valve Overhaul Kit—See Ref. No. 1033.

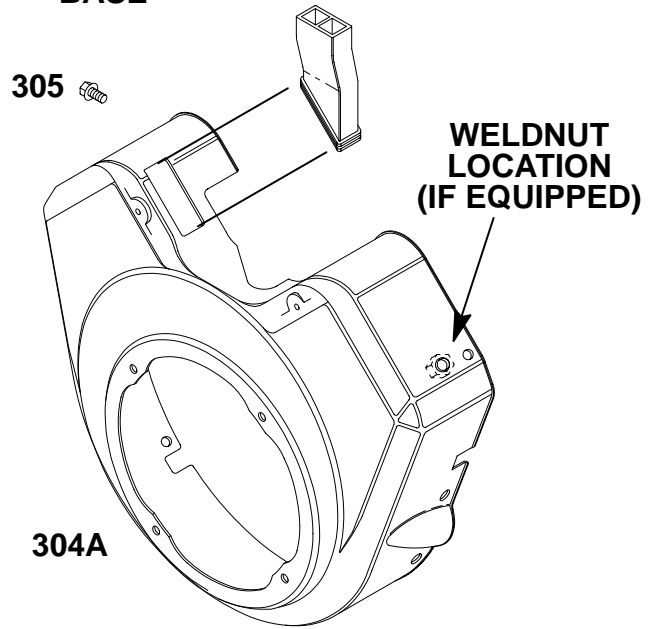
● Included in Carburetor Kit—See Ref. No. 121.
 ◆ Included in Carburetor Gasket Set—See Ref. No. 977.

290700 to 290799

FOR METAL AIR CLEANER BASE (CURRENT STYLE)



FOR PLASTIC AIR CLEANER BASE

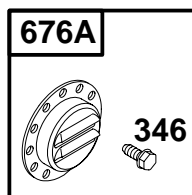
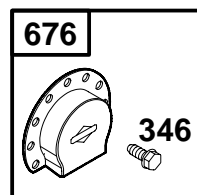
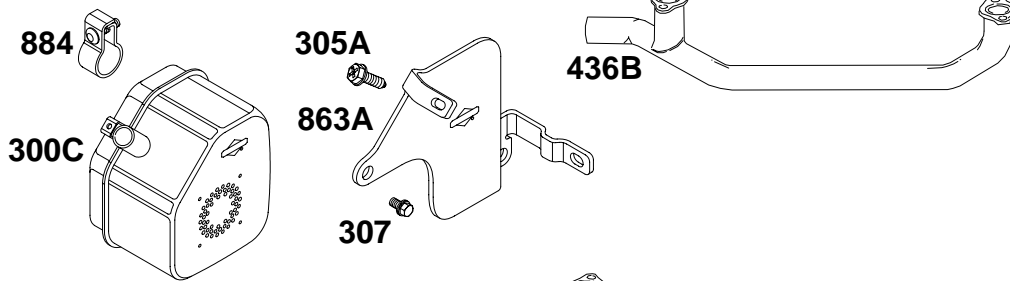
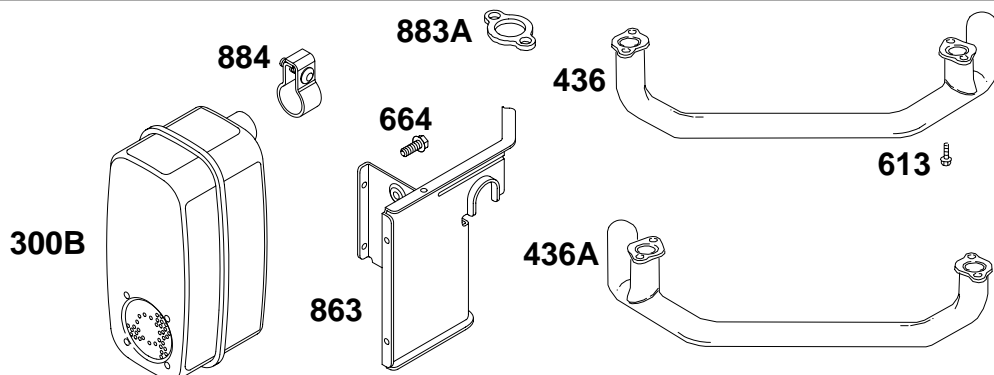
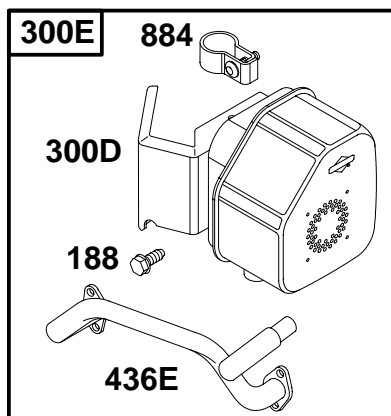
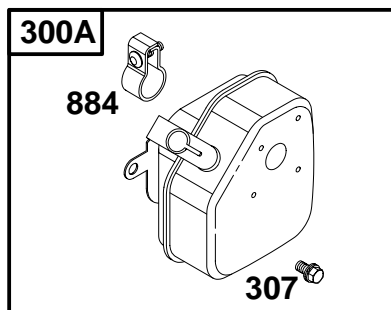
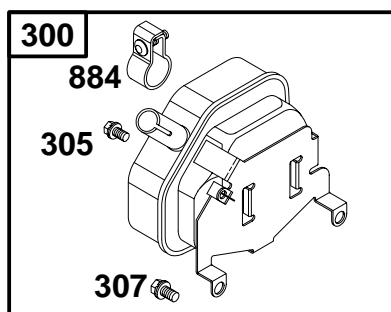


REF. NO.	PART NO.	DESCRIPTION	REF. NO.	PART NO.	DESCRIPTION	REF. NO.	PART NO.	DESCRIPTION
171A	810056	Nut—Hex.			Note 807820 Housing—Blower (Red Without Weld Nut) (Used After Code Date 90111600). 807892 Housing—Blower (Red Without Weld Nut) (Used Before Code Date 90111700). 808008 Housing—Blower (Red With Weld Nut) (Used After Code Date 90111600).			807654 Housing—Blower (Red With Weld Nut) (Used Before Code Date 90111700).
284	93410	Screw—Hex.						807662 Housing—Blower (Black With Weld Nut) (Used Before Code Date 90111700).
304	808055	Housing—Blower (Red)						
	808408	Housing—Blower (Black)						
304A	807814	Housing—Blower (Black Without Weld Nut) (Used After Code Date 90111600). 807891 Housing—Blower (Black Without Weld Nut) (Used Before Code Date 90111700).						
								305 805406 Screw—Hex.
								307 805025 Screw—Hex.

★ Included in Gasket Set—See Ref. No. 358.
 △ Included in Valve Overhaul Kit—See Ref. No. 1033.

● Included in Carburetor Kit—See Ref. No. 121.
 ◆ Included in Carburetor Gasket Set—See Ref. No. 977.

290700 to 290799

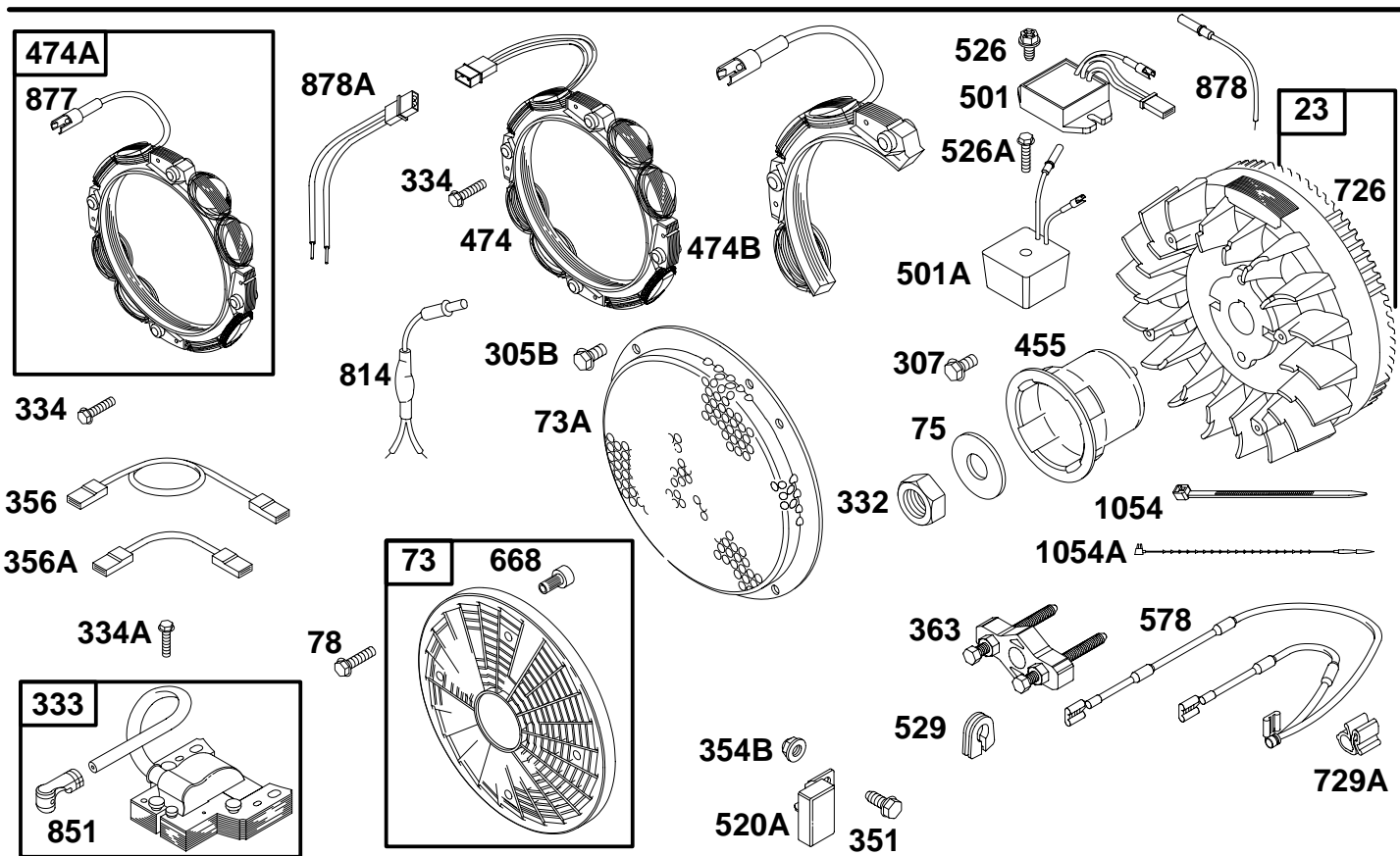


REF. NO.	PART NO.	DESCRIPTION	REF. NO.	PART NO.	DESCRIPTION	REF. NO.	PART NO.	DESCRIPTION
188	805247	Screw-Hex.	307	805025	Screw-Hex.	676	393761	Deflector-Muffler
300	807741	Muffler-Exhaust	346	93705	Screw-Hex.	676A	397630	Deflector-Muffler
300A	807742	Muffler-Exhaust	436	805142	Manifold-Exhaust	863	224359	Bracket-Muffler
300B	498984	Muffler-Exhaust	436A	805378	Manifold-Exhaust	863A	805812	Bracket-Muffler
		Note	436B	805404	Manifold-Exhaust	883	★△805024	Gasket-Exhaust
		493963 Muffler-Exhaust	436C	805403	Manifold-Exhaust	883A	805502	Flange-Exhaust
		(Used Before Code Date 97012400).	436D	492979	Manifold-Exhaust	884	392649	Clamp-Muffler
300C	807948	Muffler-Exhaust	436E	805778	Manifold-Exhaust			Note
300D	807953	Muffler-Exhaust	613	805158	Screw-Hex.			807595 Clamp-Muffler
300E	807969	Muffler-Exhaust	664	93343	Screw-Hex.			Used on Type No(s). 1130.
305	805406	Screw-Hex.			Note			
305A	805448	Screw-Phillips Hex.			94786 Screw-Hex.			
					(Used Before Code Date 97012400).			

★ Included in Gasket Set-See Ref. No. 358.
 △ Included in Valve Overhaul Kit-See Ref. No. 1033.

● Included in Carburetor Kit-See Ref. No. 121.
 ◆ Included in Carburetor Gasket Set-See Ref. No. 977.

290700 to 290799

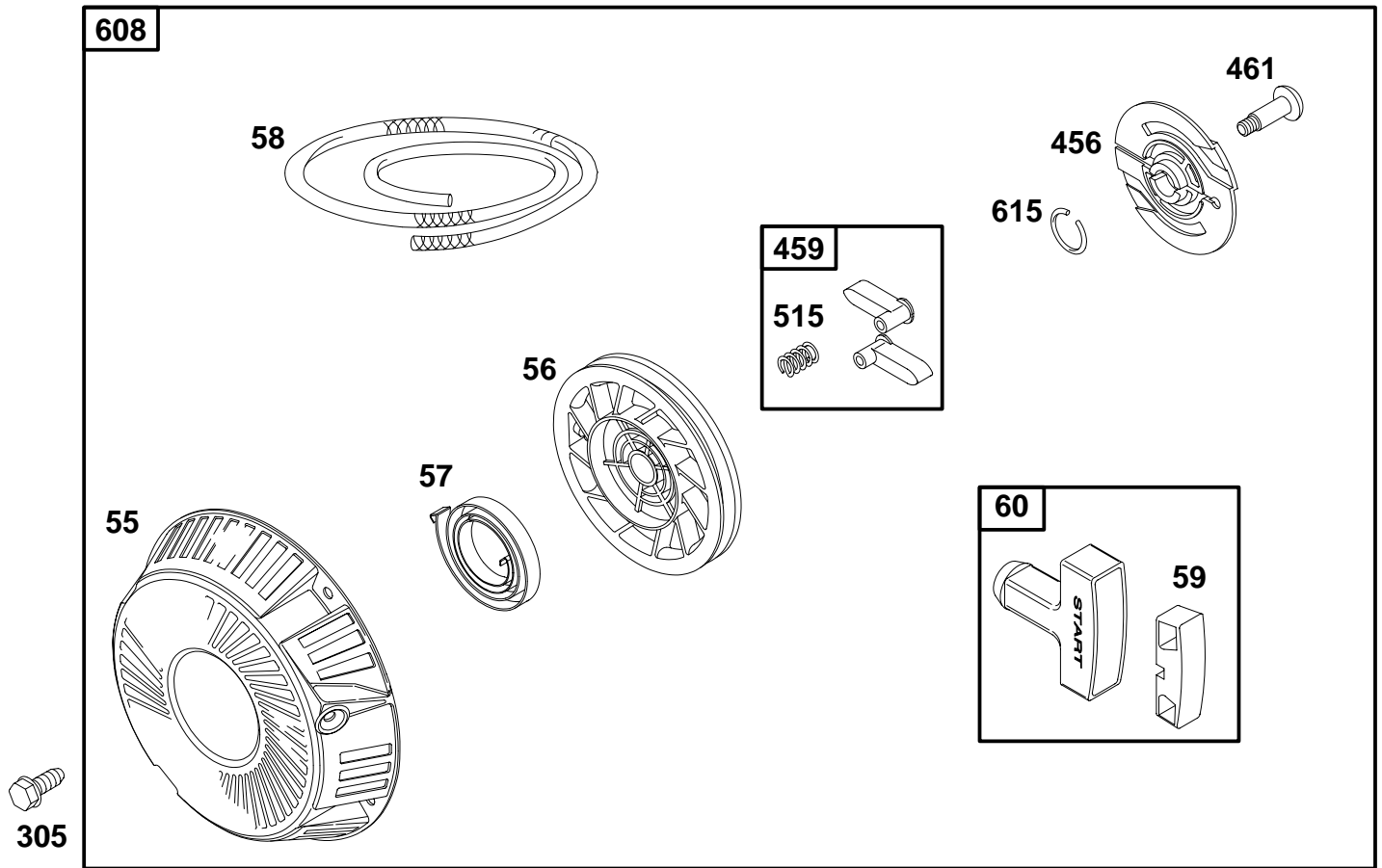


REF. NO.	PART NO.	DESCRIPTION	REF. NO.	PART NO.	DESCRIPTION	REF. NO.	PART NO.	DESCRIPTION
23	807531	Flywheel	354B	805496	Nut-Lock	520A	807527	Terminal
		Note	356	807593	Wire-Stop (Cylinder #2) (Used Before Code Date 90111700).	526	805448	Screw-Phillips Hex.
73	494439	Screen-Rotating	356A	807594	Wire-Stop (Cylinder #1) (Used Before Code Date 90111700).	526A	805535	Screw-Hex.
73A	224757	Screen-Rotating						Note
75	805007	Washer-Flywheel	363	19203	Flywheel Puller			810084 Screw-Hex. (Used Before Code Date 90021500).
78	805447	Screw-Hex.	455	805876	Cup-Flywheel	529	805641	Grommet
305B	805026	Screw-Hex.				578	493792	Wire Assembly (Ignition Coil)
307	805025	Screw-Hex.				668	805402	Spacer
332	806028	Nut-Flywheel				726	807805	Gear-Ring
		Note	474	393295	Alternator	729A	280470	Clip-Wire
		805021 Nut-Flywheel (Used Before Code Date 95050100).	474A	392595	Alternator	814	392606	Harness-Alternator
333	492341	Armature-Magneto	474B	391529	Alternator	851	493880	Terminal-Cable
334	806104	Screw-Hex.	501	394890	Regulator	877	393537	Wire-Alternator
334A	805407	Screw-Hex.	501A	491546	Regulator	878	393422	Harness-Alternator
351	805762	Screw-Phillips Hex.				878A	399916	Harness-Alternator
						1054	280275	Tie-Cable
						1054A	270723	Tie-Cable

★ Included in Gasket Set-See Ref. No. 358.
 △ Included in Valve Overhaul Kit-See Ref. No. 1033.

● Included in Carburetor Kit-See Ref. No. 121.
 ◆ Included in Carburetor Gasket Set-See Ref. No. 977.

290700 to 290799



REF. NO.	PART NO.	DESCRIPTION	REF. NO.	PART NO.	DESCRIPTION	REF. NO.	PART NO.	DESCRIPTION
55	808186	Housing-Rewind Starter	59	805957	Insert-Grip	515	805953	Spring-Pawl
56	805949	Pulley-Starter	60	808167	Grip-Starter Rope	608	808087	Starter-Rewind (Used After Code Date 93072500).
57	805951	Spring-Rewind Starter	305	805406	Screw-Hex.	615	805952	Ring-Rewind Starter
58	66574	Rope-Starter (Cut to Required Length)	456	805954	Plate-Pawl Friction			
			459	808166	Pawl-Ratchet			
			461	805955	Screw-Shoulder			

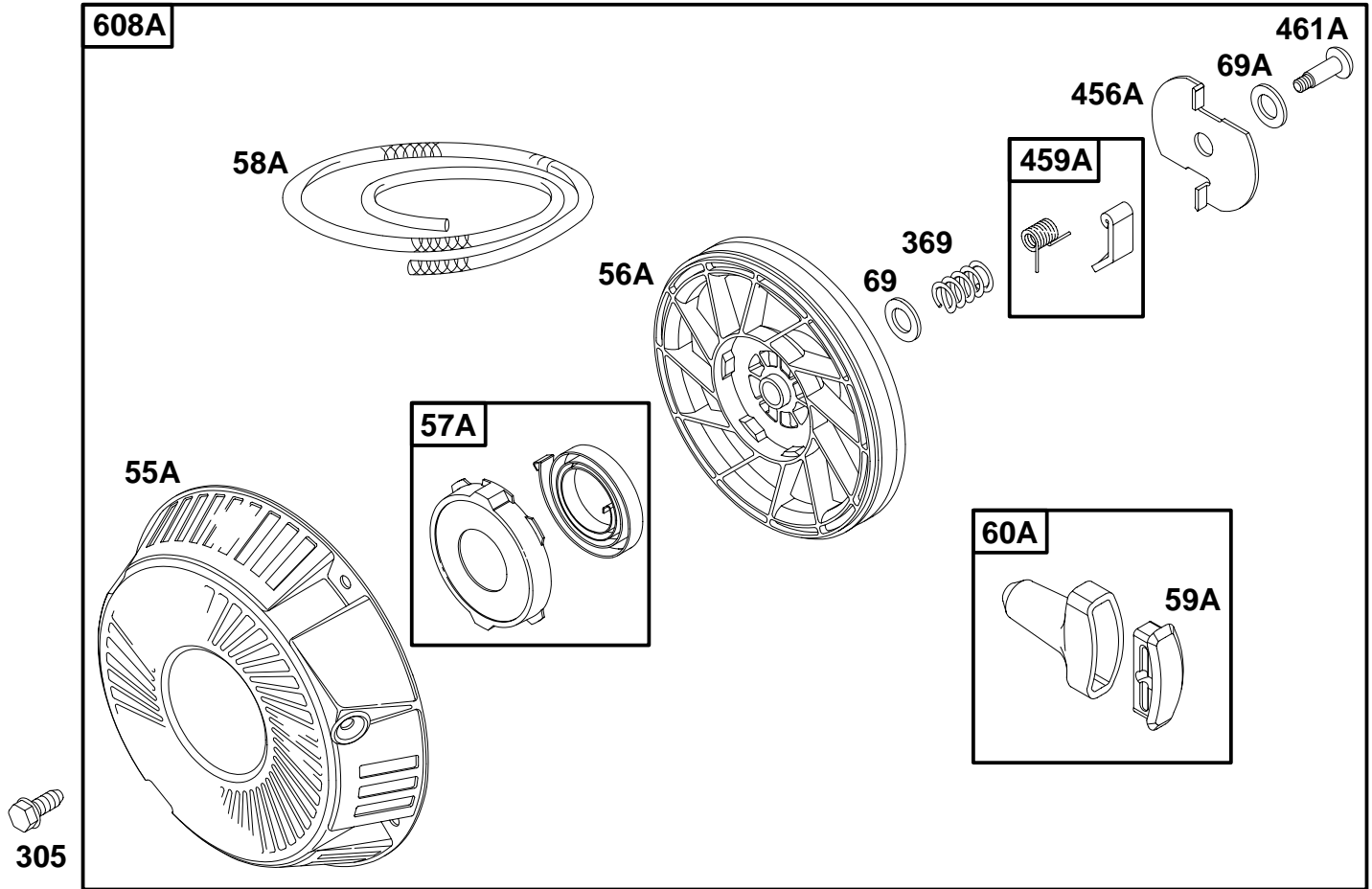
★ Included in Gasket Set-See Ref. No. 358.

△ Included in Valve Overhaul Kit-See Ref. No. 1033.

● Included in Carburetor Kit-See Ref. No. 121.

◆ Included in Carburetor Gasket Set-See Ref. No. 977.

290700 to 290799

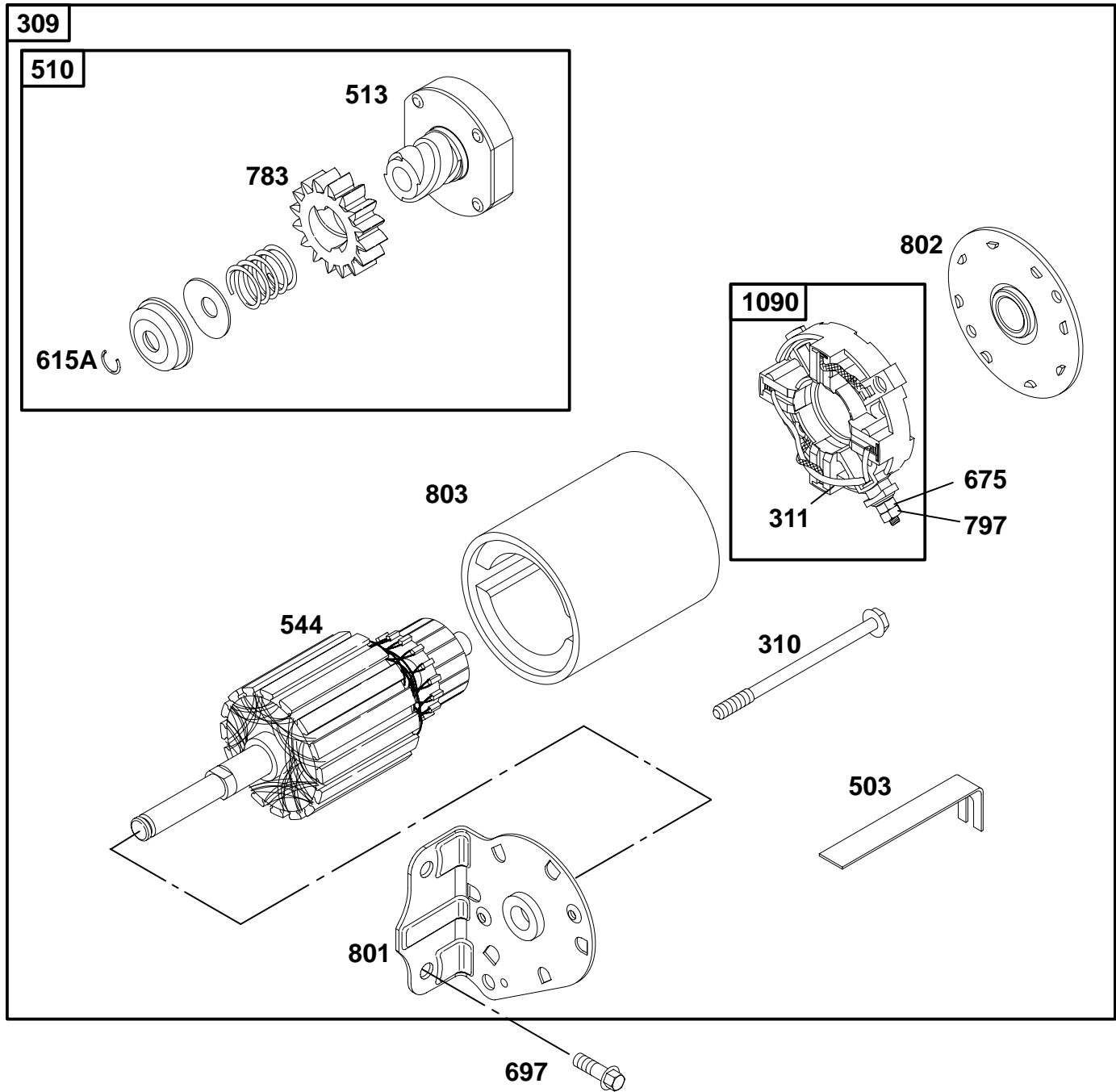


REF. NO.	PART NO.	DESCRIPTION	REF. NO.	PART NO.	DESCRIPTION	REF. NO.	PART NO.	DESCRIPTION
55A	492193	Housing-Rewind Starter	59A	490653	Insert-Grip	456A	224228	Plate-Pawl Friction
56A	280918	Pulley-Starter	60A	490652	Grip-Starter Rope	459A	492431	Pawl-Ratchet
57A	492194	Spring-Rewind Starter	69	94464	Washer-Flat	461A	94463	Screw-Shoulder
58A	66894	Rope-Starter (Cut to Required Length)	69A	94462	Washer-Flat	60A	808152	Starter-Rewind (Used Before Code Date 93072600).
			305	805406	Screw-Hex.			
			369	262564	Spring-Friction			

★ Included in Gasket Set-See Ref. No. 358.
 △ Included in Valve Overhaul Kit-See Ref. No. 1033.

● Included in Carburetor Kit-See Ref. No. 121.
 ◆ Included in Carburetor Gasket Set-See Ref. No. 977.

290700 to 290799



REF. NO.	PART NO.	DESCRIPTION	REF. NO.	PART NO.	DESCRIPTION	REF. NO.	PART NO.	DESCRIPTION
309	499521	Motor-Starter	675	225137	Washer (Starter Motor)	802	497607	Cap-End
310	95035	Bolt (Starter Motor)	697	805247	Screw (Starter Motor Mounting)	803		Housing-Starter (Served By 499521 Starter Motor Only)
311	497608	Brush Set	783	693059	Gear-Starter	1051	263080	Retainer
503	806000	Strap-Starter	797	92278	Nut (Starter Terminal)	1090	497605	Retainer-Brush
510	497606	Drive-Starter	801	497626	Cap-Drive			
544		Armature-Starter (Served By 499521 Starter Motor Only)						

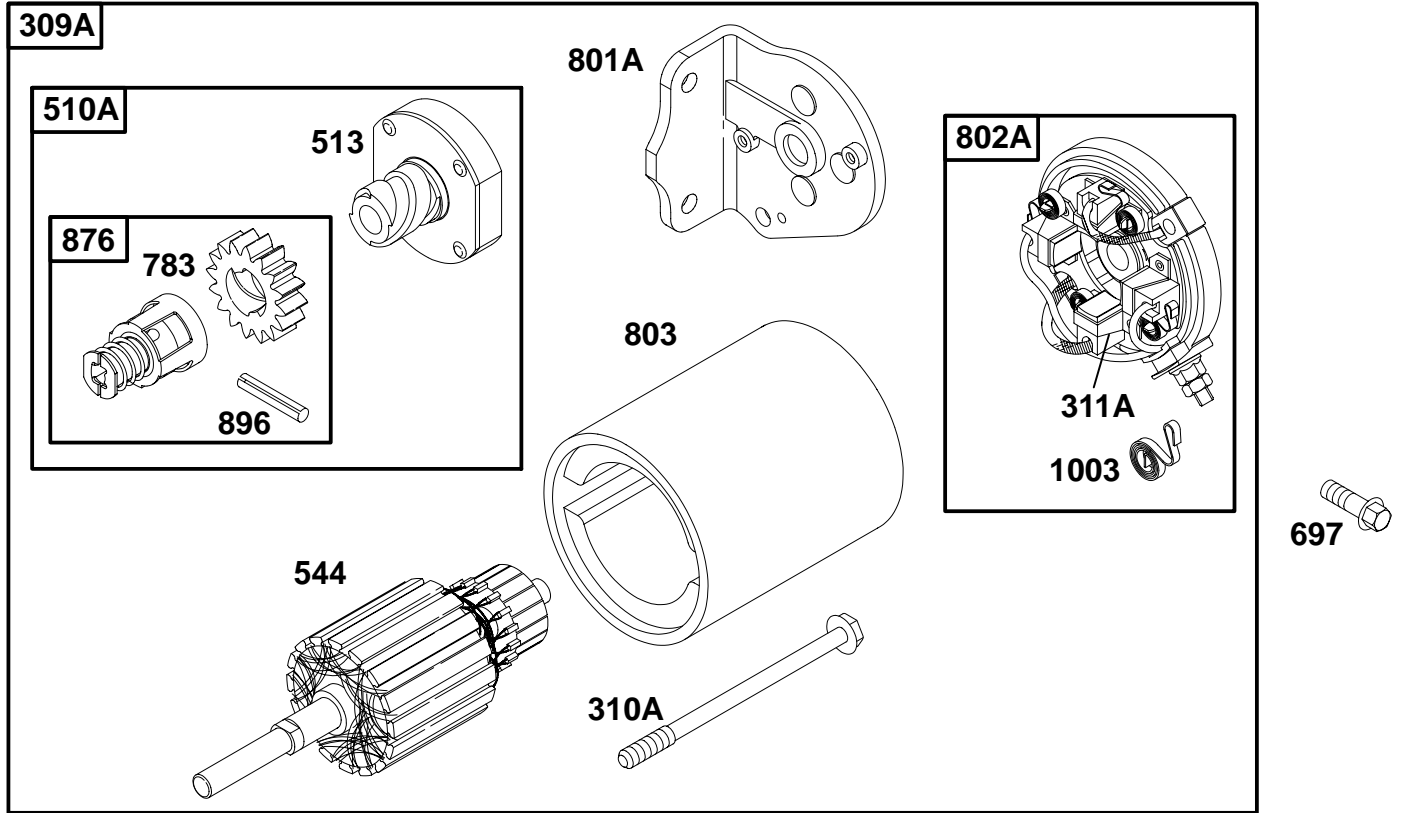
★ Included in Gasket Set—See Ref. No. 358.

△ Included in Valve Overhaul Kit—See Ref. No. 1033.

● Included in Carburetor Kit—See Ref. No. 121.

◆ Included in Carburetor Gasket Set—See Ref. No. 977.

290700 to 290799

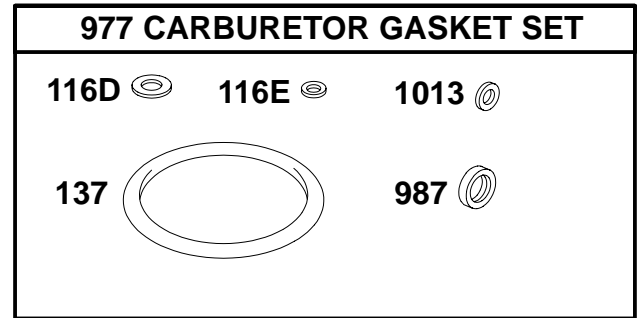
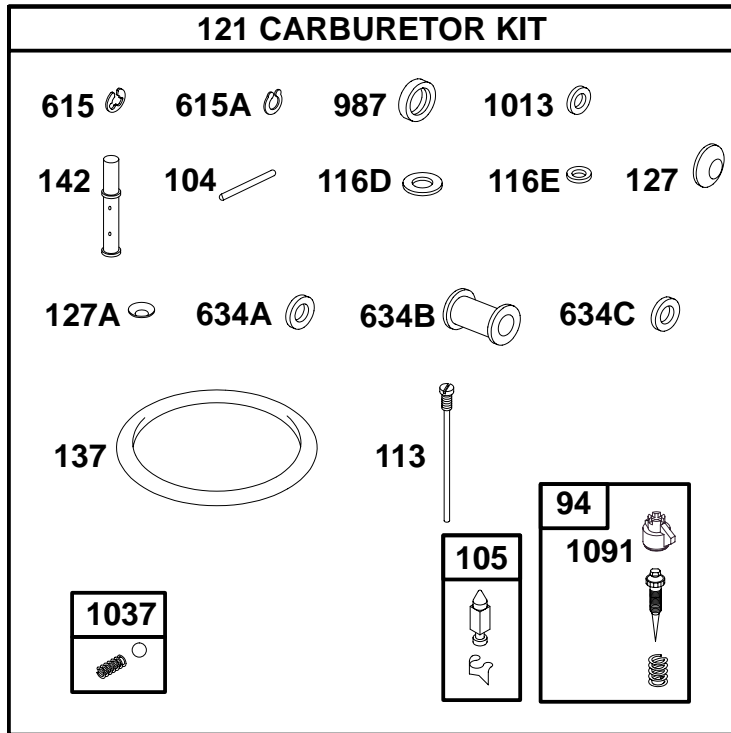


REF. NO.	PART NO.	DESCRIPTION	REF. NO.	PART NO.	DESCRIPTION	REF. NO.	PART NO.	DESCRIPTION
309A		For Replacement Starter Motor, See Ref 309, Previous Page.	697	805247	Screw (Starter Motor Mounting)	803	494205	Housing-Starter (For 4 3/8" Housing Length)
310A	94169	Bolt (Starter Motor)	783	693059	Gear-Starter			Note
311A	490311	Brush Set (For 4 9/16" Housing Length)	801A	394856	Cap-Drive			398892 Housing-Starter (For 4 9/16" Housing Length)
510A	495878	Drive-Starter	802A	494988	Cap-End (For 4 3/8" Housing Length, Includes Brush Set)	876	495877	Kit-Gear
513	398003	Clutch-Drive			Note	896	94288	Drive-Retainer
544	490309	Armature-Starter (For 4 3/8" Housing Length)			490310 Cap-End (For 4 9/16" Housing Length, Includes Brush Set)	1003	490316	Spring-Brush

★ Included in Gasket Set—See Ref. No. 358.
 △ Included in Valve Overhaul Kit—See Ref. No. 1033.

● Included in Carburetor Kit—See Ref. No. 121.
 ◆ Included in Carburetor Gasket Set—See Ref. No. 977.

290700 to 290799

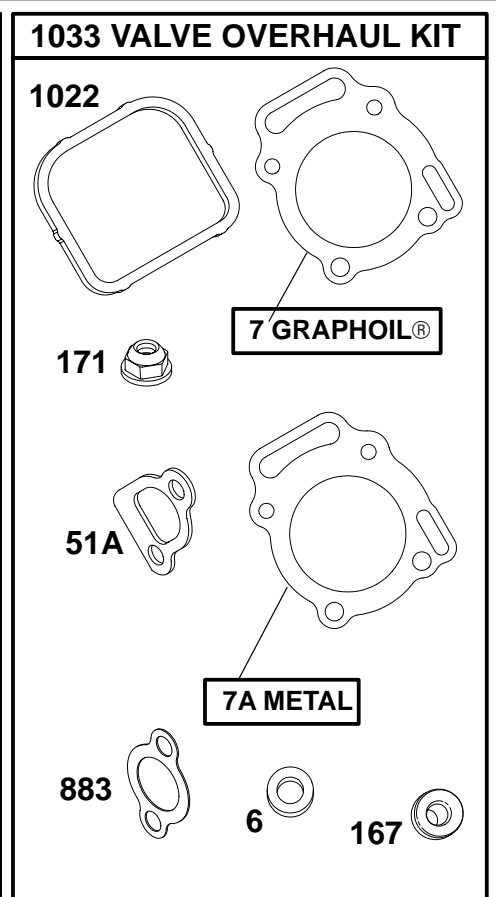
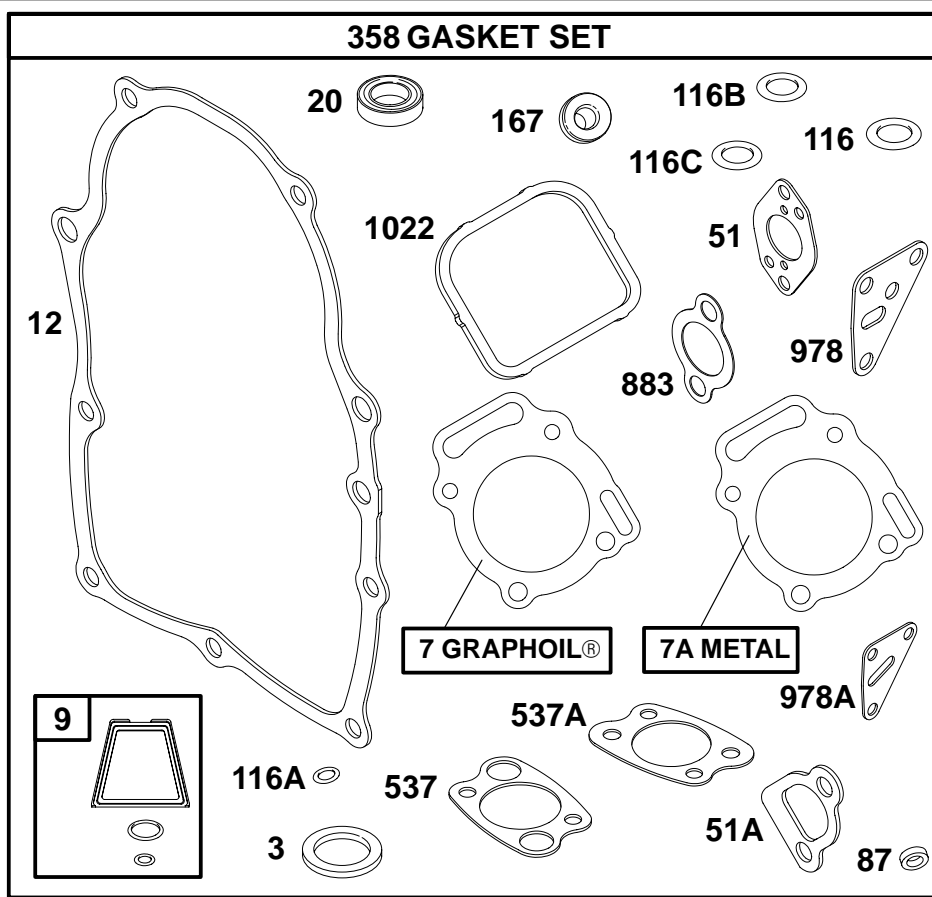


REF. NO.	PART NO.	DESCRIPTION	REF. NO.	PART NO.	DESCRIPTION	REF. NO.	PART NO.	DESCRIPTION
94	●808258	Valve-Idle Adjustment ———— Note ———— ●807707 Valve-Idle Adjustment (Used Before Code Date 95010100).	121	808324	Carburetor Kit (Used After Code Date 94123100). ———— Note ———— 807962 Carburetor Kit (Used After Code Date 92040600 and Before Code Date 95010100). 807708 Carburetor Kit (Used Before Code Date 92040700).	615	●805578	Retainer-E-Ring (Choke Shaft)
104	●805586	Pin-Float Hinge	127	●805570	Plug-Welch	615A	●805577	Ring-Retaining (Throttle Shaft)
105	●807706	Valve-Needle	127A	●805571	Plug-Welch	634A	●805576	Washer-Spacer
113	●805777	Tube-Jet ———— Note ———— ●805565 Tube-Jet (Used Before Code Date 93020100).	137	◆	Gasket-Float Bowl (Sold in Kit Only)	634B	●805574	Spacer
116D	◆●224531	Washer-Seal	142	●807960	Nozzle-Carburetor (Used After Code Date 93013100). ———— Note ———— ●807712 Nozzle-Carburetor (Used Before Code Date 93020100).	634C	●805580	Washer-Spacer
116E	◆◆	Gasket-Plug (Sold in Kit Only)				977	808325	Gasket Set-Carburetor ———— Note ———— 807716 Gasket Set-Carburetor (Used Before Code Date 95010100).
						987	◆◆806079	Seal-Throttle Shaft ———— Note ———— ◆◆805575 Seal-Throttle Shaft (Used Before Code Date 95010100).
						1013	◆◆805581	Seal-Choke Shaft
						1037	●807717	Ball-Choke Locator
						1091	●805858	Cap-Limiter

★ Included in Gasket Set-See Ref. No. 358.
△ Included in Valve Overhaul Kit-See Ref. No. 1033.

● Included in Carburetor Kit-See Ref. No. 121.
◆ Included in Carburetor Gasket Set-See Ref. No. 977.

290700 to 290799



REF. NO.	PART NO.	DESCRIPTION	REF. NO.	PART NO.	DESCRIPTION	REF. NO.	PART NO.	DESCRIPTION
3	★805101	Seal—Oil	87	★805054	Seal—Governor Shaft	537A	★805003	Gasket—Air Cleaner
6	△805193	Washer (Used Before Code Date 94050100).	116	★270920	Seal—O-Ring	883	△★805024	Gasket—Exhaust
7	△★806085	Gasket—Cylinder Head	116A	★805011	Seal—O-Ring	978	★805250	Gasket
7A	△★807986	Gasket—Cylinder Head (Used Before Code Date 96040100).	116B	★805198	Seal—O-Ring (Crankcase Cover)	978A	★805229	Gasket
9	★807688	Gasket—Breather	116C	★805058	Seal—O-Ring (Oil Pump)	1022	△★806039	Gasket—Rocker Cover
12	★805112	Gasket—Crankcase	167	△★805420	Washer	1033	808392	Kit—Valve Overhaul
20	★805049	Seal—Oil	171	△805019	Nut—Lock	————— Note —————		
51	★805700	Gasket—Carburetor-Mounting	358	808390	Gasket Set	807990 Kit—Valve Overhaul (Used Before Code Date 96040100).		
51A	△★805023	Gasket—Intake (Manifold)	————— Note —————					
					807989 Gasket Set (Used Before Code Date 96040100).			
			537	★805655	Gasket—Air Cleaner			

★ Included in Gasket Set—See Ref. No. 358.
 △ Included in Valve Overhaul Kit—See Ref. No. 1033.

● Included in Carburetor Kit—See Ref. No. 121.
 ◆ Included in Carburetor Gasket Set—See Ref. No. 977.