

28T700

Illustrated Parts List

Model Series

28T700

TYPE NUMBERS
1113, 1119, 1121,
1154, 1180.

TABLE OF CONTENTS

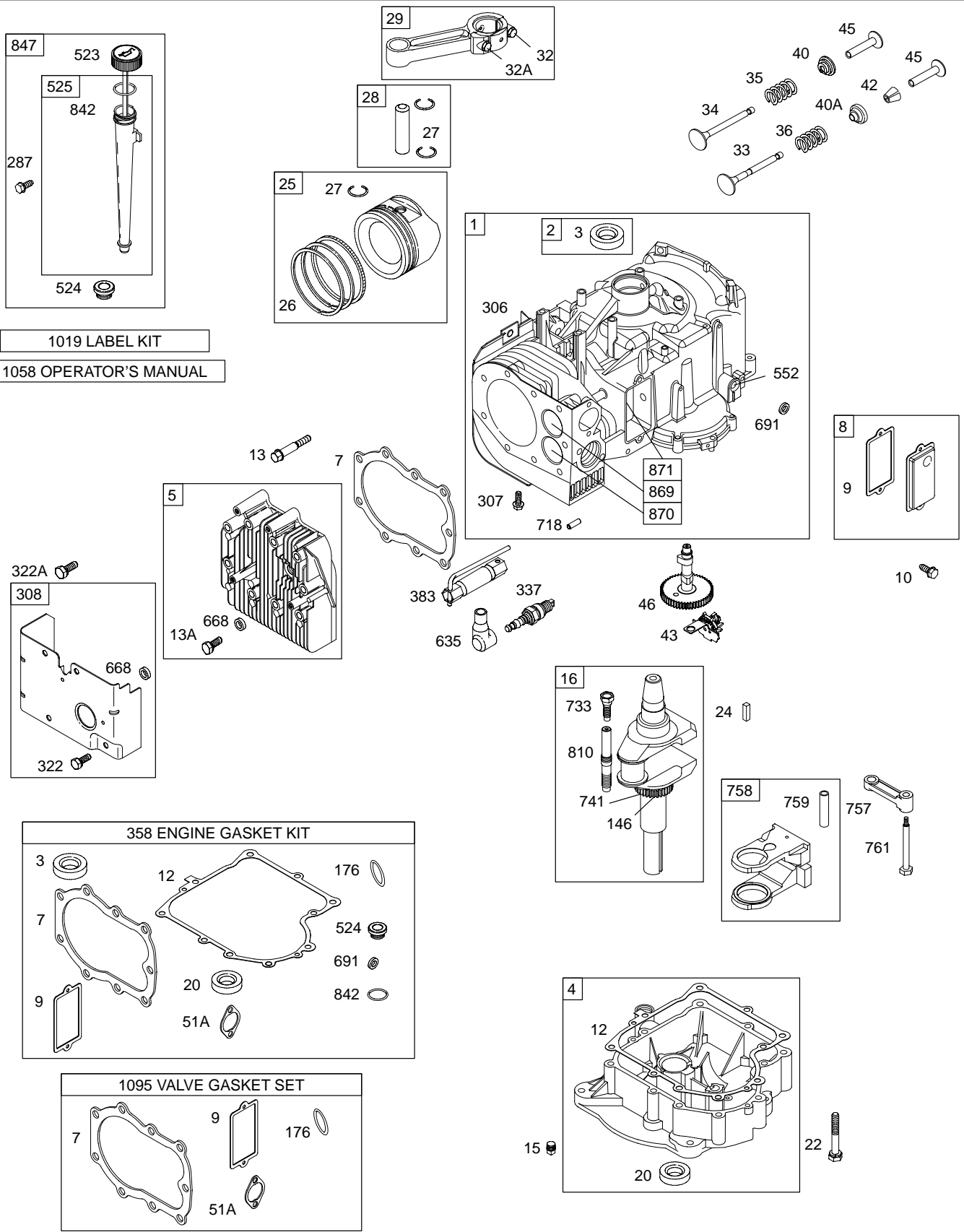
Air Cleaner	4
Alternator	5
Blower Housing/Shrouds	5
Cams	2
Carburetor	3
Controls	4
Crankcase Cover/Sump	2
Crankshaft	2
Cylinder	2
Electric Starter	6
Flywheel	5
Governor Spring	4
Head	2
Ignition	5
Kits/Gaskets-Carburetor	3
Kits/Gaskets-Valve	2
Oil	2
Piston Group	2
Valves	2

PRINTED IN U.S.A.

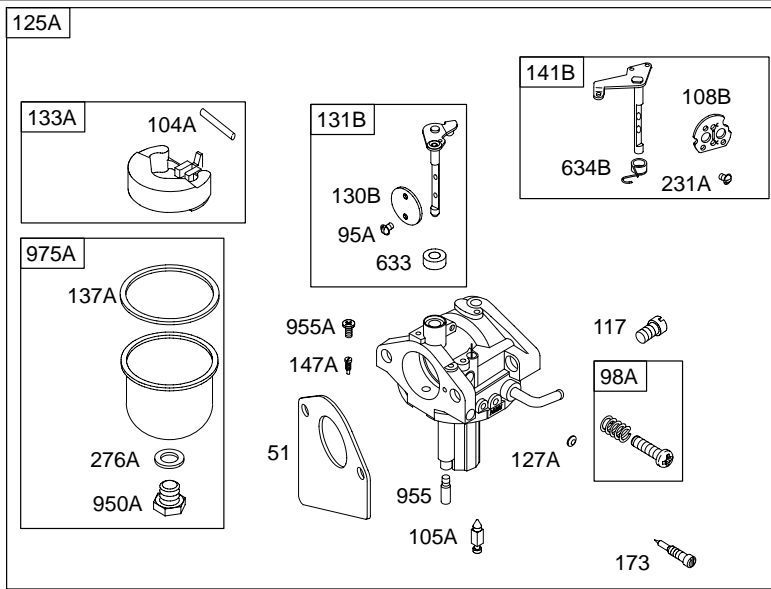


COPYRIGHT by BRIGGS & STRATTON CORPORATION
 All rights reserved. No part of this material may be reproduced or transmitted,
 in any form or by any means, electronic or mechanical, including photocopying,
 recording or by any information storage and retrieval system, without permission
 in writing from Briggs & Stratton Corporation.

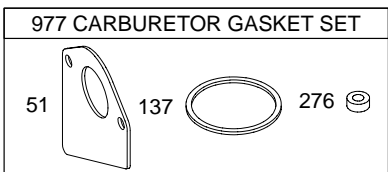
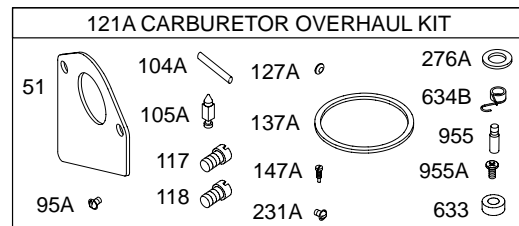
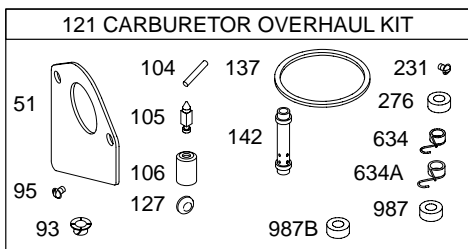
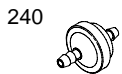
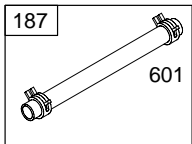
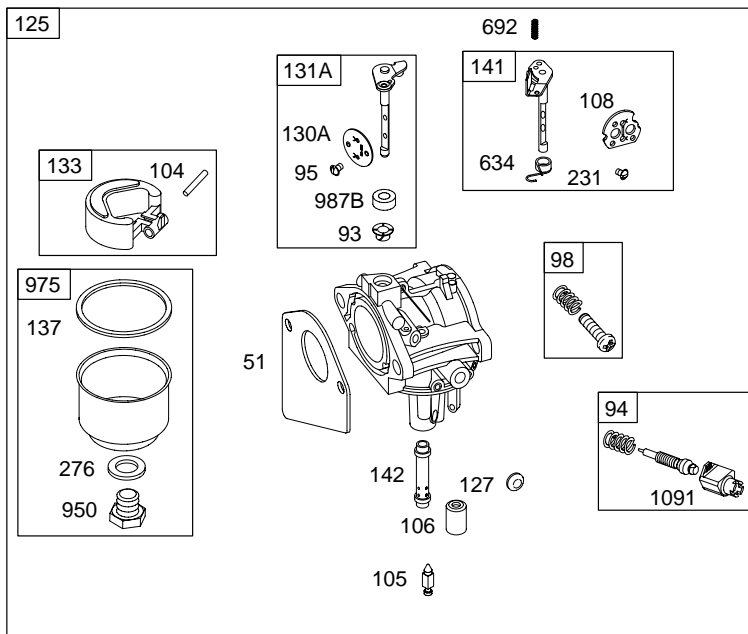
28T700



NIKKI

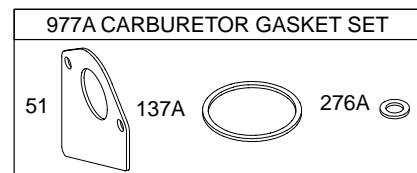


WALBRO

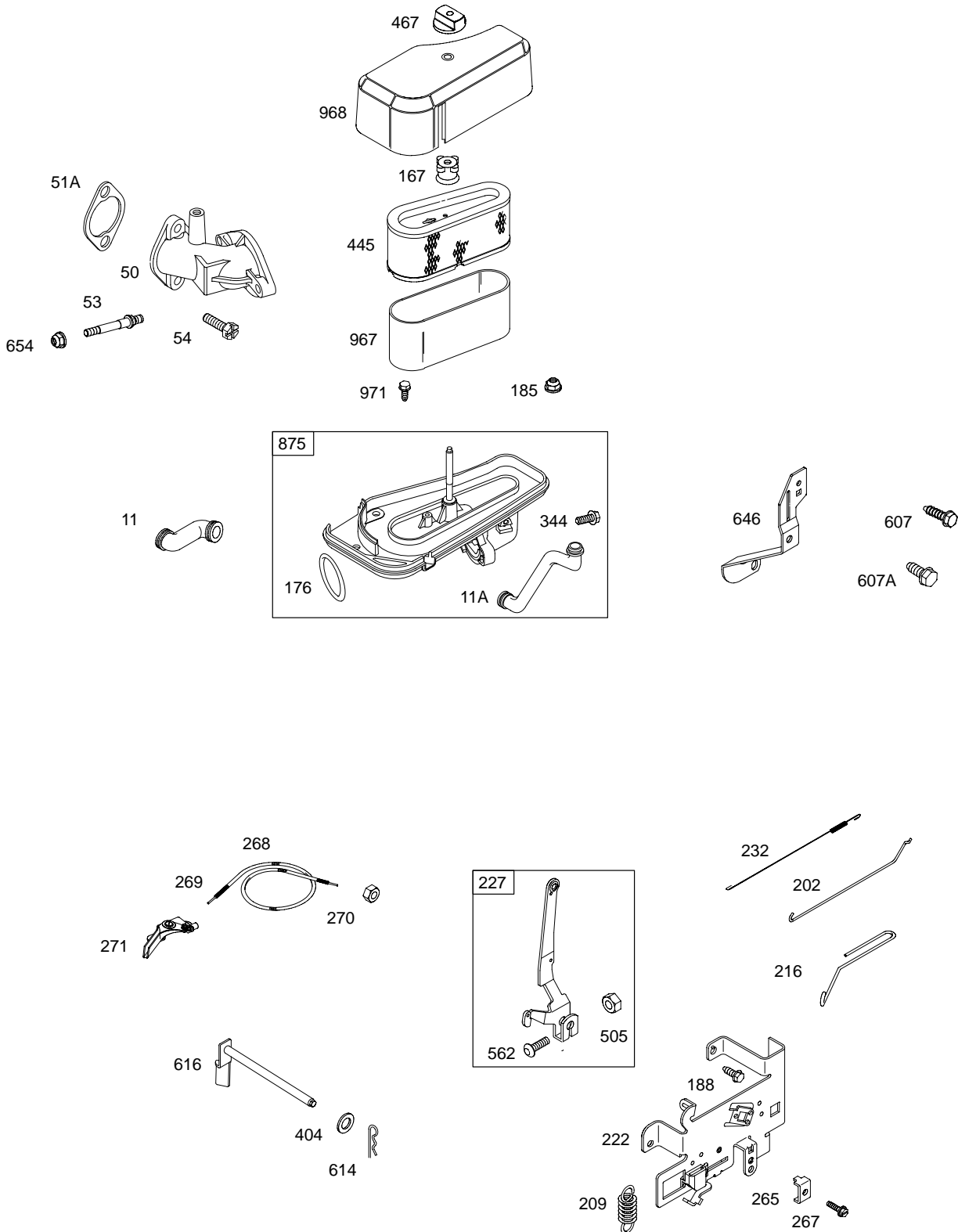


WALBRO

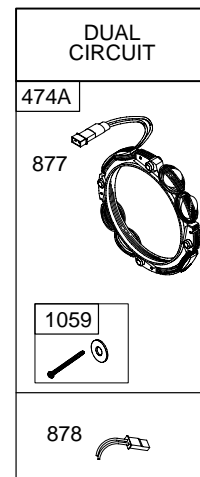
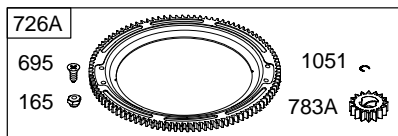
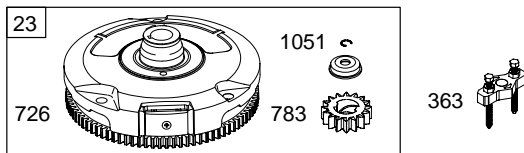
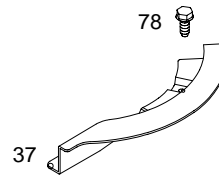
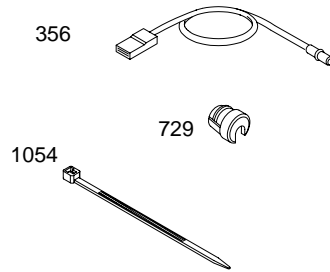
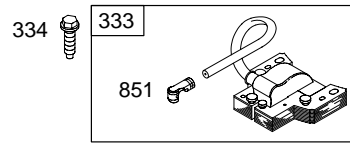
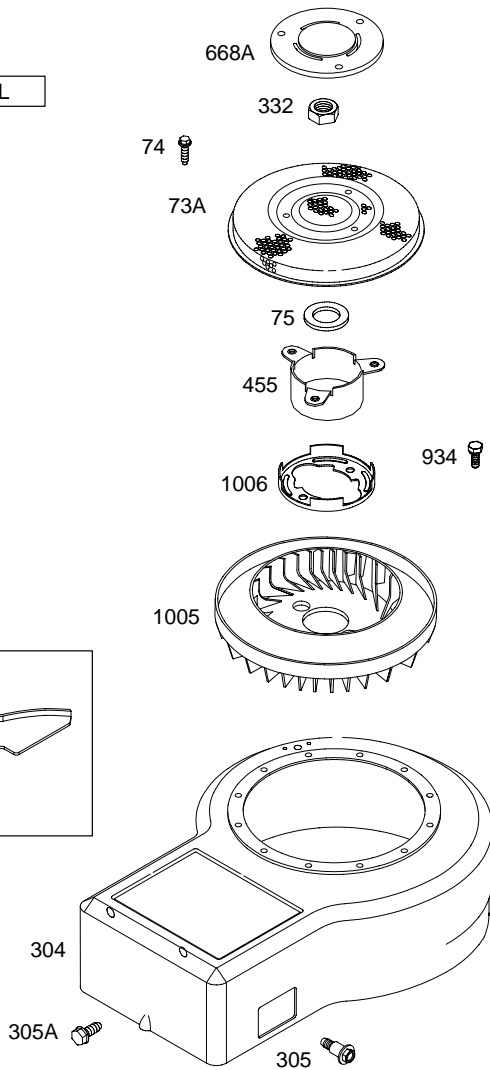
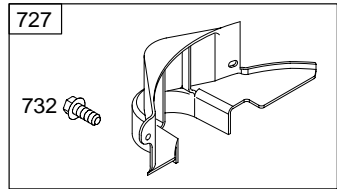
NIKKI



28T700



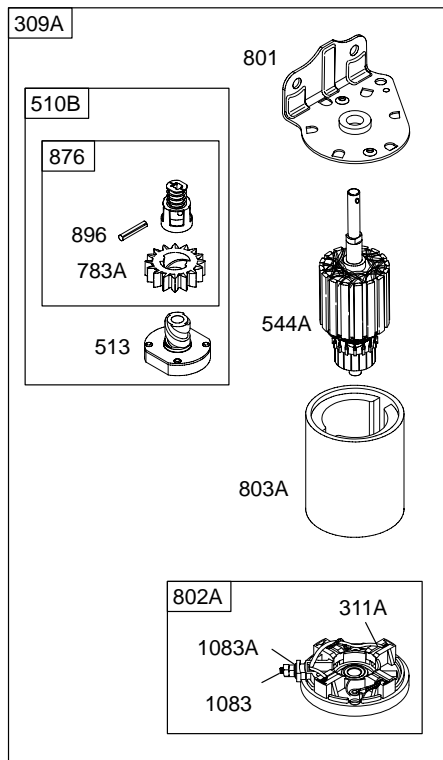
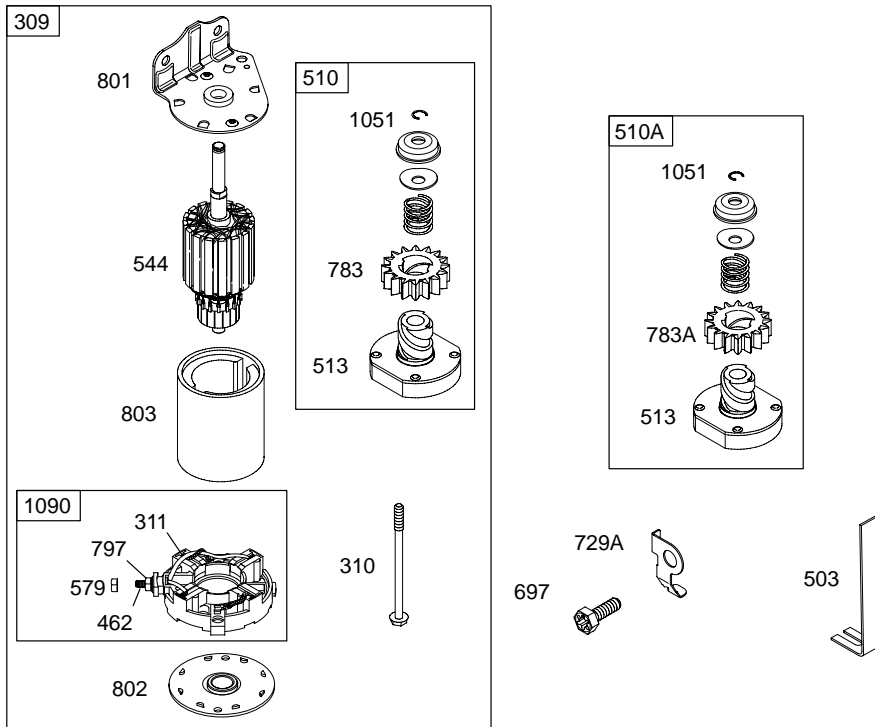
1036 EMISSION LABEL



NOTE: All Stators Use No. 1119 Mounting Screw.



28T700



NOTE: For Replacement Starter Motor, See Reference 309.

REF. NO.	PART NO.	DESCRIPTION	REF. NO.	PART NO.	DESCRIPTION	REF. NO.	PART NO.	DESCRIPTION
1	496413	Cylinder Assembly	25	696397	Piston Assembly (Standard)	27	691299	Lock-Piston Pin
2	399265	Kit-Bushing/Seal (Magneto Side)			(Used After Code Date 01060600).	28	498319	Pin-Piston (Standard)
3	★391086	Seal-Oil (Magneto Side)			696399 Piston Assembly (.020" Oversize)			———— Note ———
4	494238	Sump-Engine			(Used After Code Date 01060600).	29	494504	498320 Pin-Piston (.005" Oversize)
5	494240	Head-Cylinder			696400 Piston Assembly (.030" Oversize)			495490 Rod-Connecting (.020" Undersize)
7	★Ø271866	Gasket-Cylinder Head			(Used After Code Date 01060600).			———— Note ———
8	495735	Breather Assembly			499284 Piston Assembly (Standard)	32	690356	Screw (Connecting Rod) (1 7/8" Long)
9	★Ø27803	Gasket-Breather			(Used Before Code Date 01060700).	32A	690348	Screw (Connecting Rod) (1 5/8" Long)
10	691666	Screw (Breather Assembly)			499292 Piston Assembly (.020" Oversize)	33	262246	Valve-Exhaust
11	692253	Tube-Breather			(Used Before Code Date 01060700).	34	262247	Valve-Intake
11A	691328	Tube-Breather			696404 Ring Set (.010" Oversize)	35	691605	Spring-Valve (Intake)
12	★692226	Gasket-Crankcase (.015" Thick) (Standard)			(Used After Code Date 01060600).	36	691597	Spring-Valve (Exhaust)
		———— Note ———			696405 Ring Set (.020" Oversize)	37	690456	Guard-Flywheel
		★692406 Gasket-Crankcase (.005" Thick)			(Used After Code Date 01060600).	40	690656	Retainer-Valve (Intake)
		★692405 Gasket-Crankcase (.009" Thick)			696406 Ring Set (.030" Oversize)	40A	691939	Retainer-Valve (Exhaust)
13	690904	Screw (Cylinder Head)	26	696403	Ring Set (Standard)	42	494553	Keeper-Valve
13A	691687	Screw (Cylinder Head)			(Used After Code Date 01060600).	43	691968	Slinger-Governor/Oil
15	690946	Plug-Oil Drain			696404 Ring Set (.010" Oversize)	45	691811	Tappet-Valve
		———— Note ———			(Used After Code Date 01060600).	46	697668	Camshaft
		691680 Plug-Oil Drain Used on Type No(s). 1154.			696405 Ring Set (.020" Oversize)	50	691711	Manifold-Intake
16	693944	Crankshaft			(Used After Code Date 01060600).	51	●692284	Gasket-Intake
20	★291675	Seal-Oil (PTO Side)			696406 Ring Set (.030" Oversize)	51A	★Ø272554	Gasket-Intake
22	692125	Screw (Crankcase Cover/Sump)			(Used After Code Date 01060600).	53	690227	Stud (Carburetor)
23	693557	Flywheel (Steel Ring Gear)			499996 Ring Set (Standard)	54	690953	Screw (Intake Manifold)
24	222698	Key-Flywheel			(Used Before Code Date 01060700).	73	691748	Screen-Rotating
					392331 Ring Set (Standard Chrome)	74	691655	Screw (Rotating Screen)
					(Used Before Code Date 01060700).	75	690582	Washer (Flywheel)
					498998 Ring Set (.020" Oversize)	78	690661	Screw (Flywheel Guard)
					(Used Before Code Date 01060700).			

★ Engine Gasket Set-Reference 358
● Carburetor Overhaul Kit-Reference 121

◆ Carburetor Gasket Set-Reference 977
Ø Valve Gasket Set-Reference 1095

28T700

REF. NO.	PART NO.	DESCRIPTION	REF. NO.	PART NO.	DESCRIPTION	REF. NO.	PART NO.	DESCRIPTION
93	690602	Bushing—Throttle Shaft	125	698171	Carburetor (696160, 696162, 696164, 696166, 697212, 697213, 697214, 697906)	202	691841	Link—Mechanical Governor
94	498030	Kit—Idle Mixture				209	690480	Spring—Governor (Red)
94A	494383	Kit—Idle Mixture						————— Note —————
95	●691636	Screw (Throttle Valve)						690576 Spring— Governor (Gold) Used on Type No(s). 1119, 1180.
95A	●690718	Screw (Throttle Valve)						691798 Spring— Governor (Brown) Used on Type No(s). 1113, 1121.
98	495800	Kit—Idle Speed						
98A	694907	Kit—Idle Speed						
104	●690525	Pin—Float Hinge						
104A	●694918	Pin—Float Hinge						
105	●231855	Valve—Float Needle						
105A	●694922	Valve—Float Needle						
106	●690577	Seat—Inlet (Gravity Feed)						
		————— Note —————						
		●691780 Seat—Inlet (Pump Feed) (LMT 168, 169)	125A	694941	Carburetor (Nikki)	216	691840	Link—Choke
108	690464	Valve—Choke (Manual Choke)	127	●695005	Plug—Welch	222	694042	Bracket—Control
108A	692344	Valve—Choke (Choke A Matic)	127A	●694916	Plug—Welch	227	691374	Lever—Governor Control
108B	694923	Valve—Choke	130	690468	Valve—Throttle	231	●691636	Screw (Choke Valve)
117	●690880	Jet—Main (Standard)	130A	691750	Valve—Throttle	231A	●690718	Screw (Choke Valve)
118	●694925	Jet—Main (High Altitude)	130B	694917	Valve—Throttle	232	691842	Spring—Governor Link
121	697884	Kit—Carburetor Overhaul (696160, 696162, 696164, 696166, 697212, 697213, 697214, 697906)	131A	494379	Kit—Throttle Shaft	240	298090	Filter—Fuel
		————— Note —————	131B	694909	Kit—Throttle Shaft	265	691024	Clamp—Casing
		499220 Kit—Carburetor Overhaul (LMT 58, 59, 60, 61, 62, 92, 93, 94, 95, 96, 108, 111, 162, 165, 169)	133A	694914	Float—Carburetor	267	690804	Screw (Casing Clamp)
121A	694930	Kit—Carburetor Overhaul (Nikki)	137	●281165	Gasket—Float Bowl	268	691025	Casing—Control Wire (Cut To Required Length)
			137A	●694920	Gasket—Float Bowl	269	691026	Wire—Control (Cut To Required Length)
			141	495097	Kit—Choke Shaft (Manual Choke)	270	691027	Nut (Control Wire Casing)
			141A	495931	Kit—Choke Shaft (Choke A Matic)	271	691028	Lever—Control
			141B	694913	Kit—Choke Shaft	276	●692255	Washer—Sealing
			142	●691434	Nozzle—Carburetor (Standard)	276A	●690997	Washer—Sealing
			142	497737	Nozzle—Carburetor (High Altitude)	287	691002	Screw (Dipstick Tube)
			146	691639	Key—Timing	304	690846	Housing—Blower
			147A	●694927	Jet—Pilot	305	692198	Screw (Blower Housing)
			165	693148	Nut (Ring Gear)	305A	692127	Screw (Blower Housing)
			167	692297	Seal—Air Cleaner Nut	306	698477	Shield—Cylinder
			173	694926	Valve—Idle Mixture	307	691003	Screw (Cylinder Shield)
			176	★∅691917	Seal—O Ring (Air Cleaner Base)	308	491490	Cover—Cylinder Head
			185	690958	Nut (Air Cleaner Base)			
			186	692317	Connector—Hose			
			187	691050	Line—Fuel (Cut To Required Length)			
			188	691693	Screw (Control Bracket)			

★ Engine Gasket Set—Reference 358
● Carburetor Overhaul Kit—Reference 121

◆ Carburetor Gasket Set—Reference 977
∅ Valve Gasket Set—Reference 1095

REF. NO.	PART NO.	DESCRIPTION	REF. NO.	PART NO.	DESCRIPTION	REF. NO.	PART NO.	DESCRIPTION
309	693551	Motor–Starter (3 5/8" Housing Length) (Steel Ring Gear Only) Note 497595 Motor–Starter (3 5/8" Housing Length) (Plastic Ring Gear Only) 693054 Motor–Starter (3 5/8" Housing Length) (Aluminum Ring Gear Only) 497401 Motor–Starter (4 3/8" Housing Length) (Plastic Ring Gear Only) 499521 Motor–Starter (4 3/8" Housing Length) (Aluminum Ring Gear Only)	344	693675	Screw (Cable Clamp)	607	690703	Screw (Air Cleaner Brace)
			356	690799	Wire–Stop	607A	691693	Screw (Air Cleaner Brace)
			358	494241	Gasket Set–Engine	614	691620	Pin–Cotter
			363	19203	Puller–Flywheel	616	692012	Crank–Governor
			383	89838	Wrench–Spark Plug	633	690998	Seal–Choke/Throttle Shaft
			404	691691	Washer (Governor Crank)	634	690801	Spring/Seal Assembly (Manual Choke)
			445	496894	Filter–Air Cleaner Cartridge	634A	690802	Spring/Seal Assembly (Choke A Matic)
			455	691173	Cup–Flywheel	634B	694912	Spring/Seal Assembly
			462	691261	Washer (Starter Cable)	635	66538	Boot–Spark Plug
			467	691668	Knob–Air Cleaner	646	690460	Brace–Air Cleaner
			474A	696459	Alternator (Dual Circuit)	654	690958	Nut (Carburetor)
			503	691532	Strap–Starter	668	690510	Spacer (Cylinder Head)
			505	691251	Nut (Governor Control Lever)	668A	691323	Spacer (Rotating Screen)
			510	693699	Drive–Starter (Used with Steel Ring Gear)	691	692407	Seal–Governor Shaft
			510A	696541	Drive–Starter (Used with Aluminum and Plastic Ring Gears)	692	690572	Spring–Detent
			510B	696540	Drive–Starter	695	693109	Screw (Ring Gear)
			513	692024	Clutch–Drive	697	690372	Screw (Drive Cap)
			523	692014	Dipstick	718	690959	Pin–Locating Gear–Ring (Steel)
			524	281370	Seal–Dipstick Tube	726		(Sold In Flywheel Kit, Reference 23, Only)
			525	691398	Tube–Dipstick	726A	696537	Gear–Ring (Aluminum) (Services Plastic Ring Gear Only)
			544	692034	Armature–Starter (3 5/8" Housing Length)	727	490324	Cover–Starter Drive
			544A	390837	Armature–Starter (3 5/8" Housing Length)	729	690596	Clip–Wire
					Note 490309 Armature–Starter (4 3/8" Housing Length)	729A	691224	Clip–Wire
			552	491986	Bushing–Governor Crank	732	691002	Screw (Starter Drive Cover)
			562	691119	Bolt (Governor Control Lever)	733	691658	Screw (Crankshaft Extension)
			579	691029	Nut (Starter Cable)	741	691284	Gear–Timing
			601	95162	Clamp–Hose	757	691714	Link–Counterweight
						758	692423	Counterweight
						759	691239	Pin–Counterweight
						761	691096	Screw (Counterweight)

★ Engine Gasket Set–Reference 358
● Carburetor Overhaul Kit–Reference 121

◆ Carburetor Gasket Set–Reference 977
⊗ Valve Gasket Set–Reference 1095

28T700

REF. NO.	PART NO.	DESCRIPTION	REF. NO.	PART NO.	DESCRIPTION	REF. NO.	PART NO.	DESCRIPTION
783	693713	Gear–Pinion (Steel Ring Gear Only)	875	696129	Base–Air Cleaner	1019	491252	Kit–Label
783A	695708	Gear–Pinion (Aluminum and Plastic Ring Gear Only)	876	696539	Kit–Pinion Spring	1036	696770	Label–Emissions (Used After Code Date 01093000).
797	693167	Nut (Brush Retainer)	877	393456	Wire/Connector– Alternator			Note
801	691283	Cap–Drive	878	691237	Harness–Alternator			695699 Label– Emissions (Used After Code Date 0070200 and Before Code Date 01100100).
802	691286	Cap–End	896	691641	Pin–Drive Retainer			
802A	395537	Cap–End (3 5/8" Housing Length)	934	691058	Screw (Fan Retainer)			
803	693757	Housing–Starter (3 5/8" Housing Length)	950	691657	Screw–Float Bowl			
803A	398159	Housing–Starter (3 5/8" Housing Length)	950A	694919	Screw–Float Bowl			
		Note	955	694924	Plug–Carburetor (Idle Chamber)			695036 Label– Emissions (Used After Code Date 99093000 and Before Code Date 00070300).
		494205 Housing– Starter (4 3/8" Housing Length)	955A	694921	Plug–Carburetor (Pilot Jet)			
810	691779	Extension–Crankshaft	967	272403	Filter–Pre Cleaner			
842	691870	Seal–O Ring (Dipstick Tube)	968	691916	Cover–Air Cleaner			694325 Label– Emissions (Used After Code Date 99010300 and Before Code Date 99100100).
847	496415	Dipstick/Tube Assembly	971	691108	Screw (Air Cleaner Base to Carburetor)			
851	493880	Terminal–Spark Plug	975	495933	Bowl–Float			
869	691802	Seat–Valve (Intake)	975A	694908	Bowl–Float			499362 Label– Emissions (Used Before Code Date 99010400).
870	691844	Seat–Valve (Exhaust)	977	690192	Gasket Set–Carburetor			
871	261961	Bushing–Valve Guide (Exhaust)	977A	694931	Gasket Set–Carburetor			
		Note	987	691326	Seal–Throttle Shaft			
		231218 Bushing–Valve Guide (Brass Intake Valve)	987B	692001	Seal–Throttle Shaft	1051	691265	Ring–Retaining
			1005	691905	Fan–Flywheel	1054	280275	Tie–Cable
			1006	690452	Retainer–Fan	1058	274787	Operator's Manual
						1059	698516	Kit–Screw/Washer (Alternator)
						1083	691626	Nut (End Cap)
						1083A	690958	Nut (End Cap) (Serrated)
						1090	691293	Retainer–Brush
						1091	691333	Cap–Limiter
						1095	498539	Gasket Set–Valve
						1119	691183	Screw (Alternator)

★ Engine Gasket Set–Reference 358
● Carburetor Overhaul Kit–Reference 121

◆ Carburetor Gasket Set–Reference 977
∅ Valve Gasket Set–Reference 1095