

28S700

Illustrated Parts List

Model Series

28S700

TYPE NUMBERS
1100 through 1151.

TABLE OF CONTENTS

Air Cleaner	5
Alternator	9
Blower Housing/Shrouds	7
Cams	2
Carburetor	4
Controls	6
Crankcase Cover/Sump	2
Crankshaft	2
Cylinder	2
Electric Starter	8
Flywheel	6
Fuel Tank	6
Governor Spring	5
Head	3
Ignition	9
Kits/Gaskets-Carburetor	4
Kits/Gaskets-Valve	2
Muffler	5
Oil	3
Piston Group	2
Rewind	8
Valves	3

PRINTED IN U.S.A.

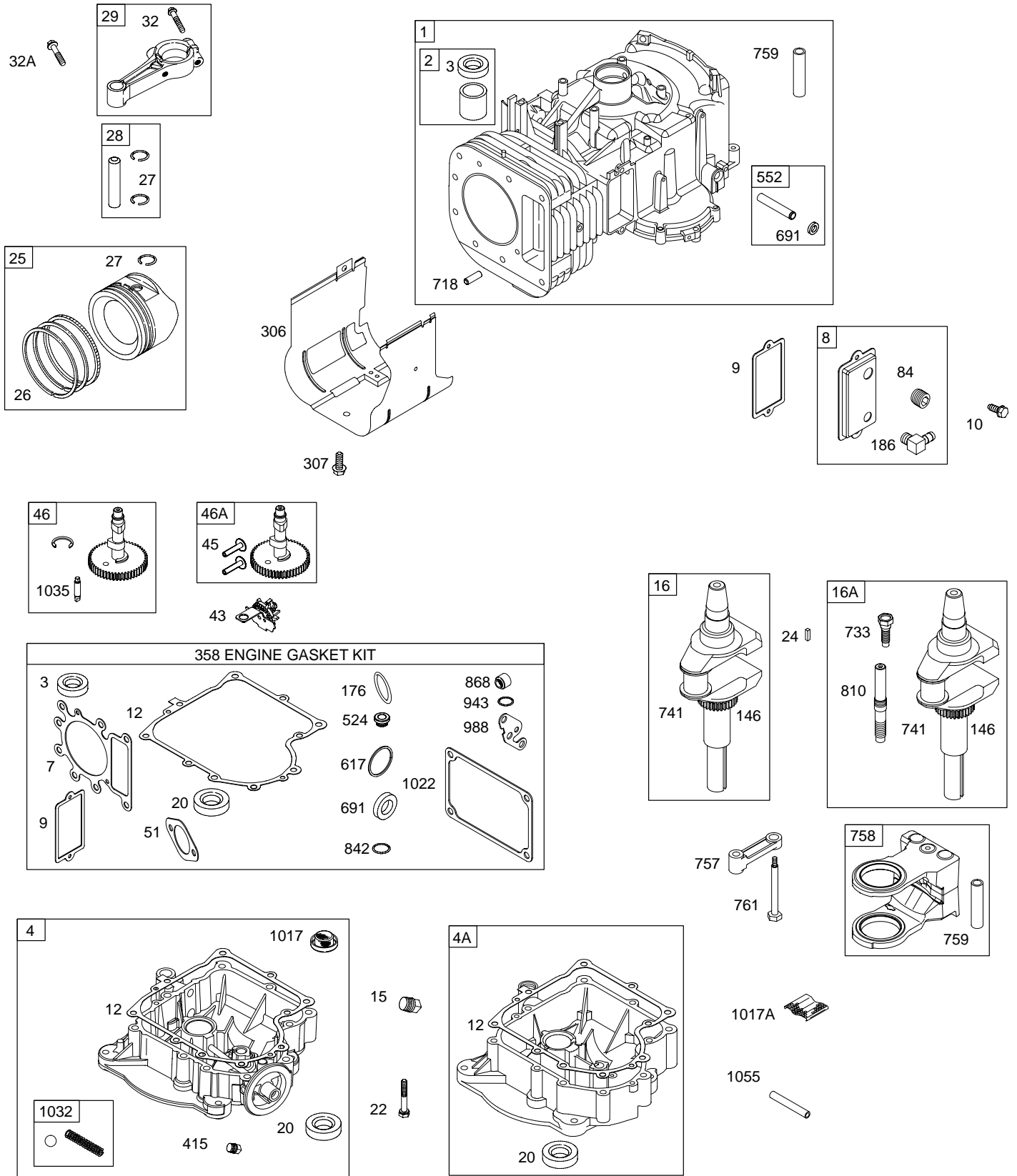


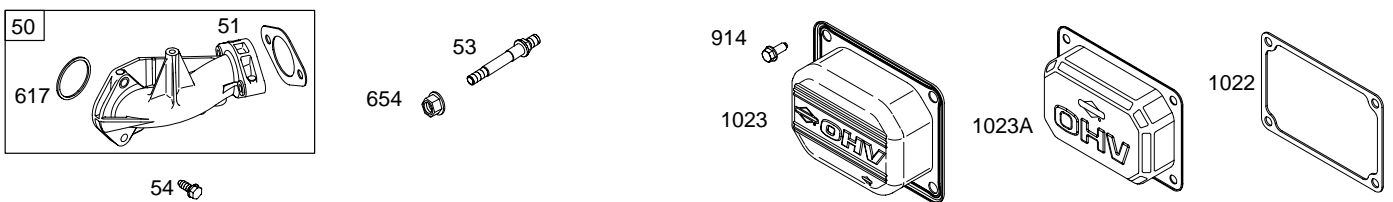
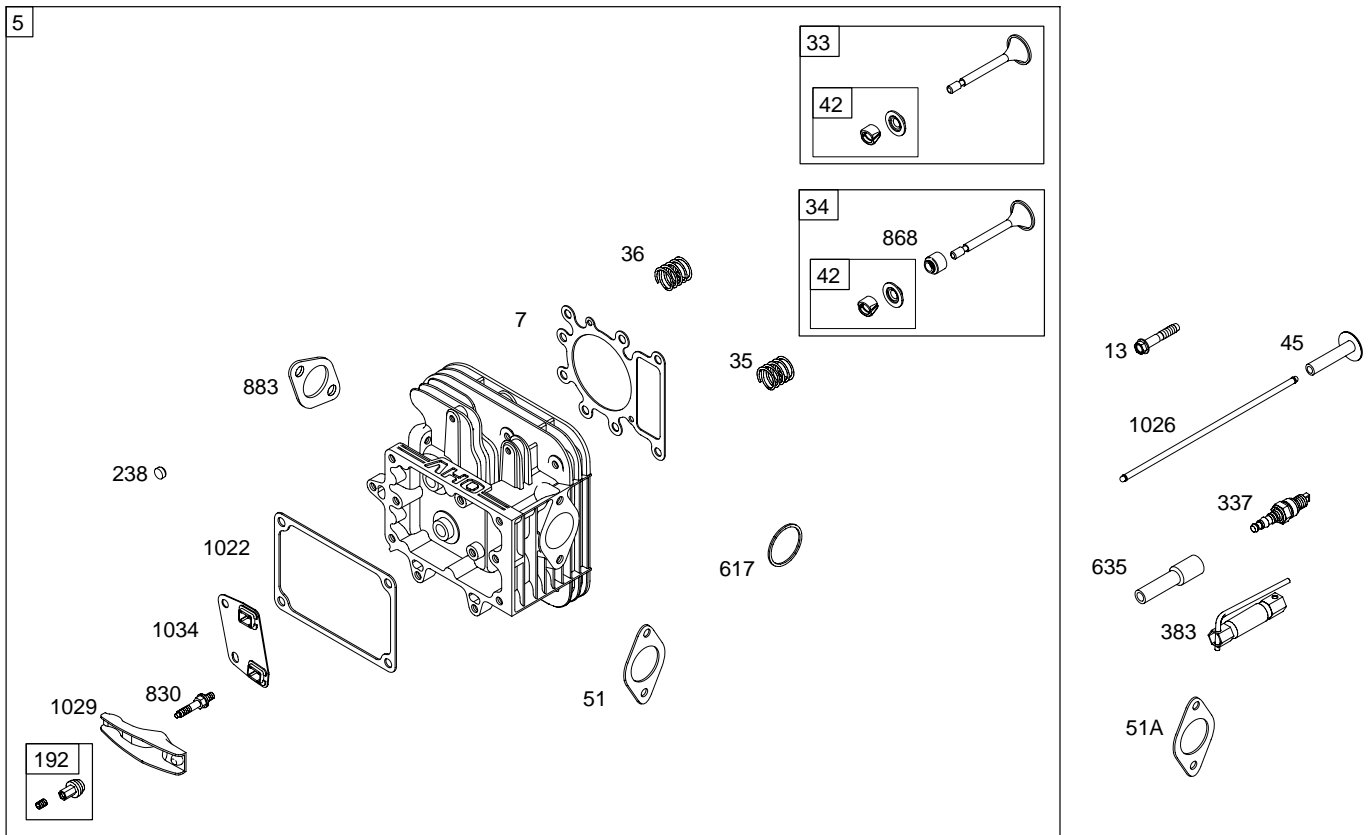
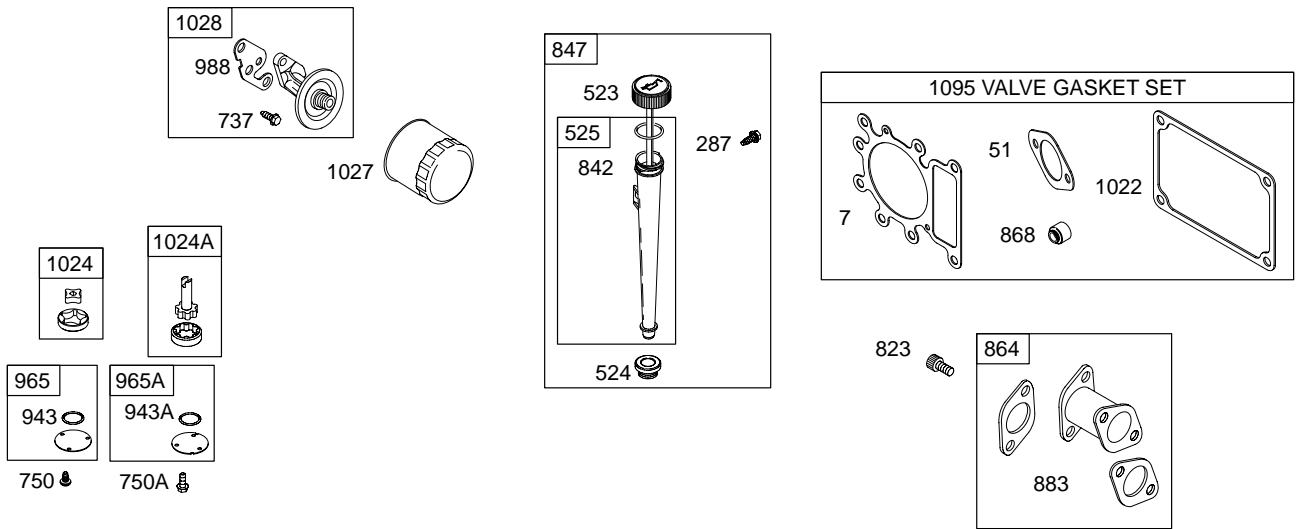
COPYRIGHT by BRIGGS & STRATTON CORPORATION
 All rights reserved. No part of this material may be reproduced or transmitted, in any form or by any means, electronic or mechanical, including photocopying, recording or by any information storage and retrieval system, without permission in writing from Briggs & Stratton Corporation.

28S700

1058 OPERATOR'S MANUAL

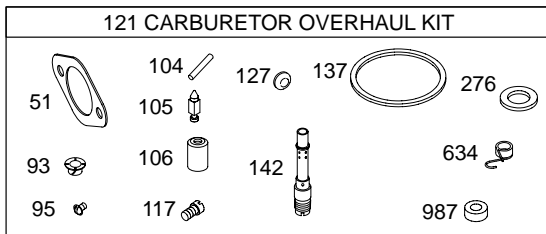
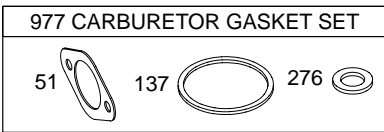
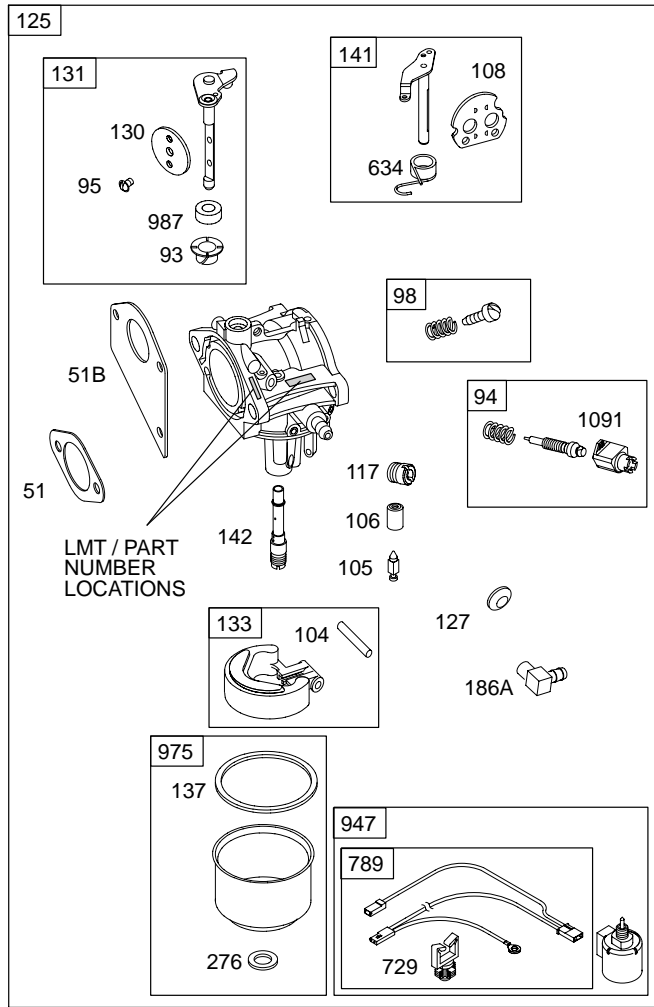
1330 REPAIR MANUAL



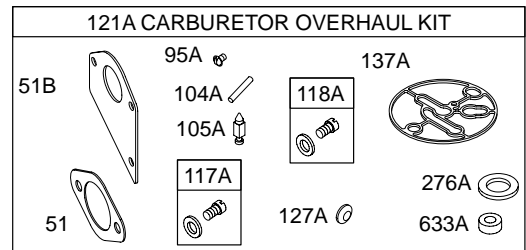
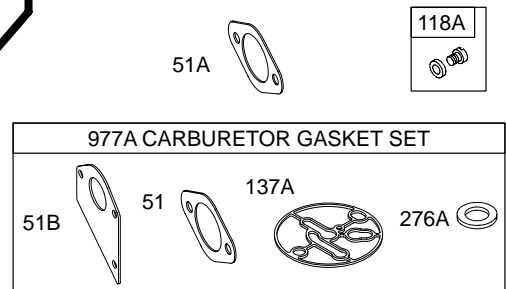
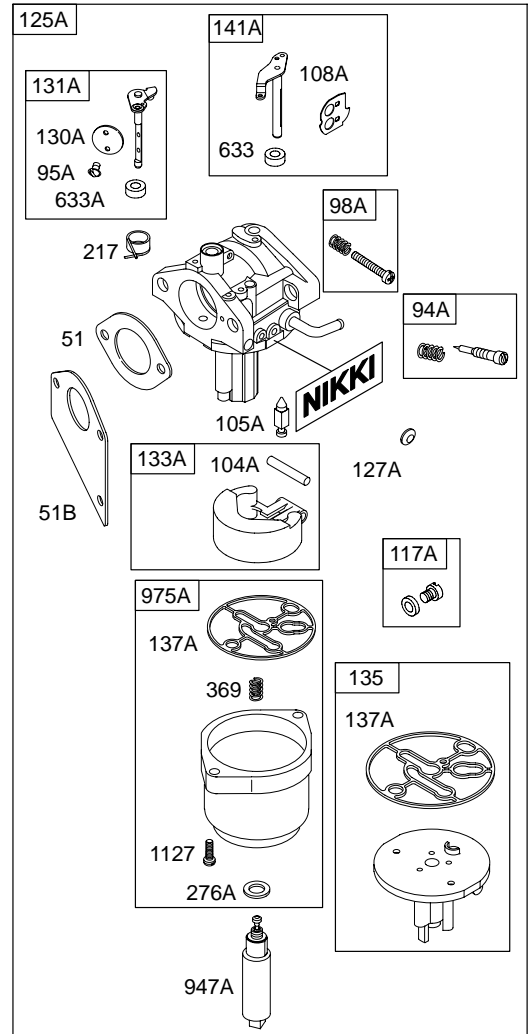


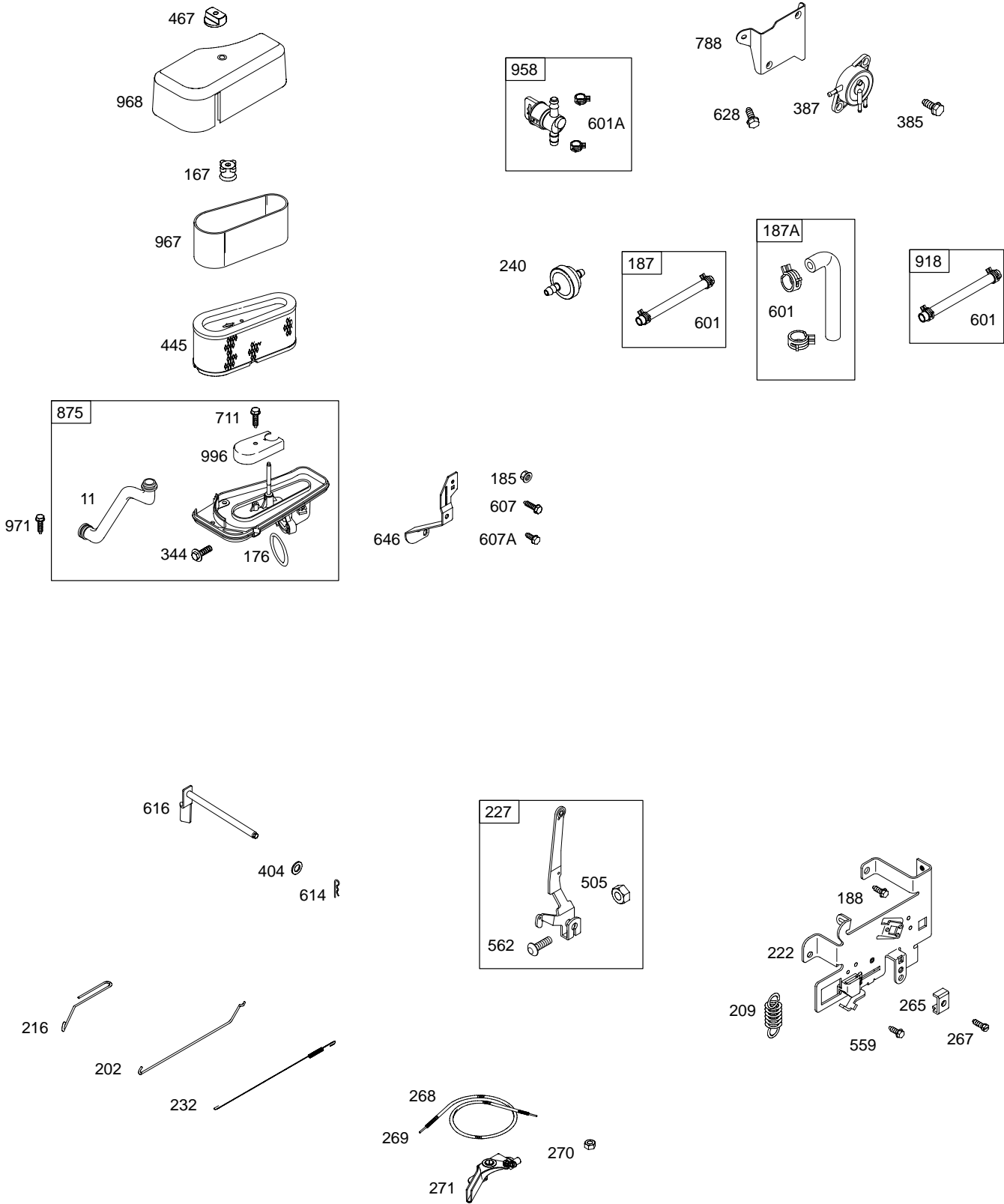
28S700

WALBRO



NIKKI

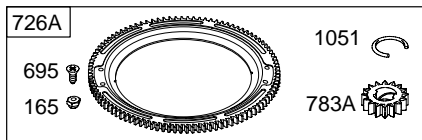
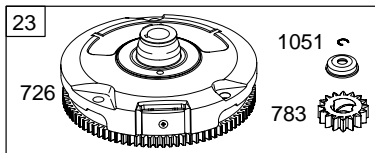
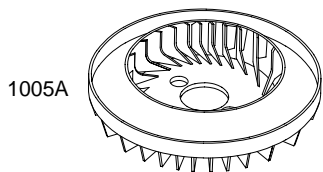
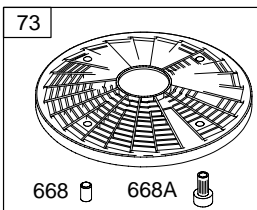
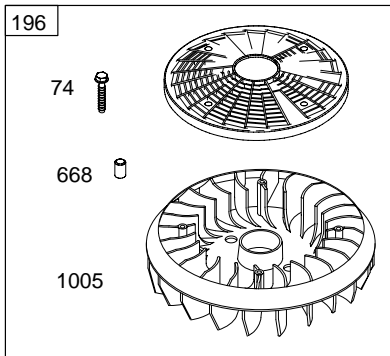
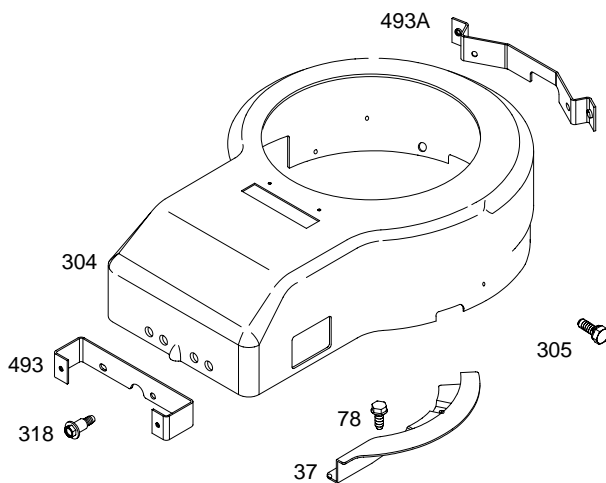
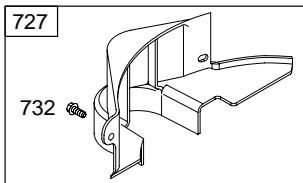
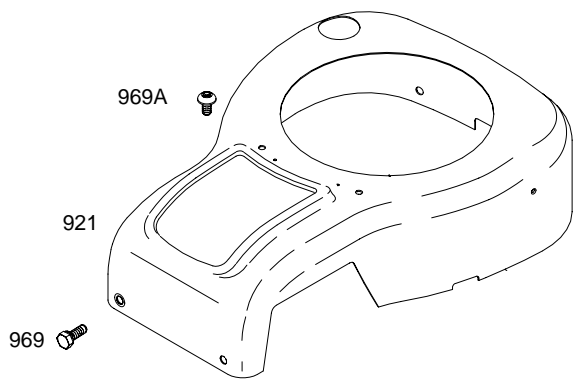



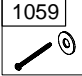

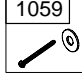

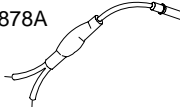


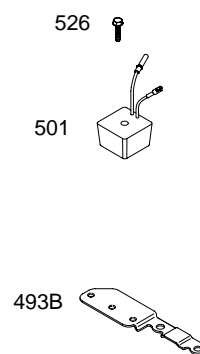
28S700

1019 LABEL KIT

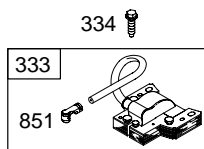
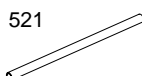
1036 EMISSION LABEL



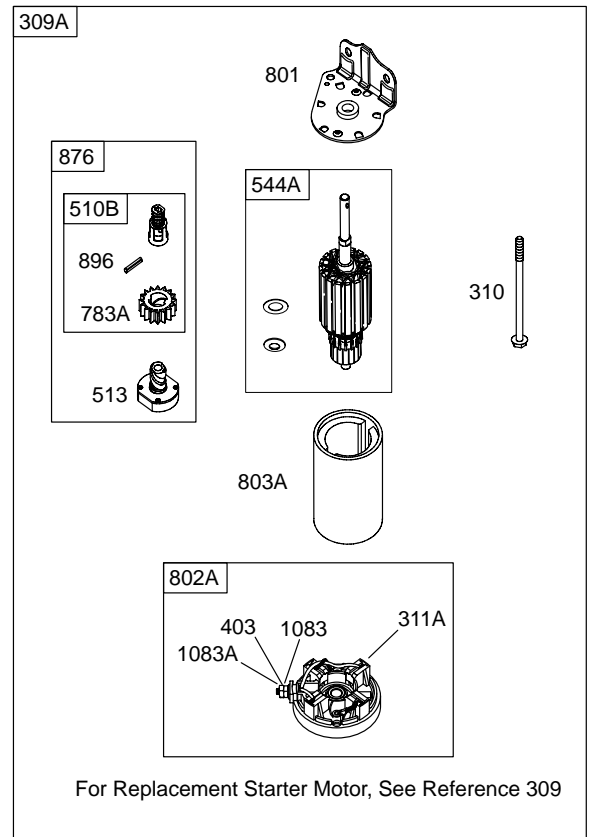
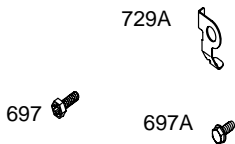
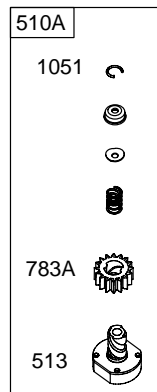
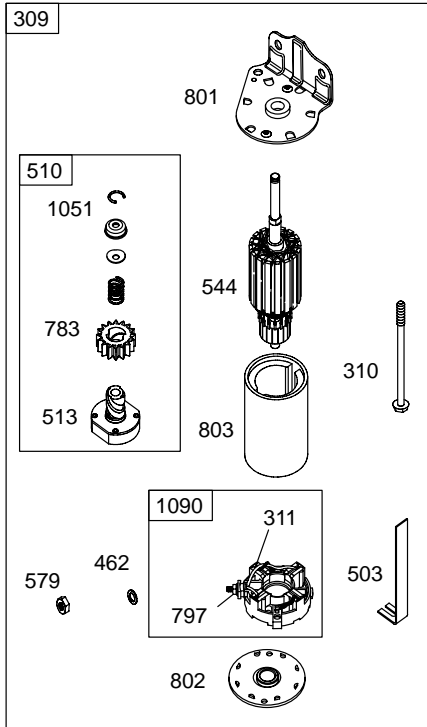
DUAL CIRCUIT	TRI CIRCUIT
<p>474</p> <p>877</p>  <p>1059</p> 	<p>474A</p> <p>877A</p>  <p>1059</p> 
<p>878</p> 	<p>878A</p> 



NOTE: ALL OLD STYLE STATORS USE
1119 REFERENCE NUMBER MOUNTING SCREW



28S700



REF. NO.	PART NO.	DESCRIPTION	REF. NO.	PART NO.	DESCRIPTION	REF. NO.	PART NO.	DESCRIPTION
1	496412	Cylinder Assembly	24	222698	Key-Flywheel			Note
2	399265	Kit-Bushing/Seal (Magneto Side)	25	696397	Piston Assembly (Standard) (Used After Code Date 01041800).			495854 Ring Set (Standard) (Used Before Code Date 01041900).
3	*391086	Seal-Oil (Magneto Side)						495852 Ring Set (.010" Oversize) (Used Before Code Date 01041900).
4	693582	Sump-Engine (Used After Code Date 98063000).			696398 Piston Assembly (.010" Oversize) (Used After Code Date 01041800).			495851 Ring Set (.020" Oversize) (Used Before Code Date 01041900).
4A	496742	Sump-Engine (Used Before Code Date 98070100).			696399 Piston Assembly (.020" Oversize) (Used After Code Date 01041800).			495855 Ring Set (.030" Oversize) (Used Before Code Date 01041900).
		Note			696400 Piston Assembly (.030" Oversize) (Used After Code Date 01041800).			Note
		494238 Sump-Engine Used on Type No(s). 1149, 1150.			Note			499284 Piston Assembly (Standard) (Used Before Code Date 01041900).
5	698148	Head-Cylinder			499288 Piston Assembly (.010" Oversize) (Used Before Code Date 01041900).			498320 Pin-Piston (.005" Oversize)
7	Δ*273280	Gasket-Cylinder Head			499292 Piston Assembly (.020" Oversize) (Used Before Code Date 01041900).	27	691299	Lock-Piston Pin
8	696126	Breather Assembly			499296 Piston Assembly (.030" Oversize) (Used Before Code Date 01041900).	28	498319	Pin-Piston (Standard)
9	*27803	Gasket-Breather			499299 Piston Assembly (.020" Oversize) (Used Before Code Date 01041900).			Note
10	691666	Screw (Breather Assembly)			696404 Ring Set (.010" Oversize) (Used After Code Date 01041800).			498320 Pin-Piston (.005" Oversize)
11	691328	Tube-Breather			696405 Ring Set (.020" Oversize) (Used After Code Date 01041800).			495490 Rod- Connecting (Standard) (Used Before Code Date 98070100).
12	*692226	Gasket-Crankcase (.015" Thick) (Standard)			696406 Ring Set (.030" Oversize) (Used After Code Date 01041800).	29	692419	Rod-Connecting (Standard) (Used After Code Date 98063000).
		Note						Note
		*692406 Gasket- Crankcase (.005" Thick)						494504 Rod- Connecting (Standard) (Used Before Code Date 98070100).
		*692405 Gasket- Crankcase (.009" Thick)						
13	690360	Screw (Cylinder Head)						692420 Rod- Connecting (.020" Undersize) (Used After Code Date 98063000).
15	690946	Plug-Oil Drain						495490 Rod- Connecting (.020" Undersize) (Used Before Code Date 98070100).
		Note						
		691680 Plug-Oil Drain Used on Type No(s). 1142, 1144.						
16	690136	Crankshaft						
16A	693944	Crankshaft Used on Type No(s). 1149, 1150.	26	696403	Ring Set (Standard) (Used After Code Date 01041800).			
20	*291675	Seal-Oil (PTO Side)						
22	692125	Screw (Crankcase Cover/Sump)						
23	693557	Flywheel (Steel Ring Gear)						
		Note						
		693556 Flywheel (Steel Ring Gear) Used on Type No(s). 1111, 1151.						

★ Engine Gasket Set – Reference 358

● Carburetor Overhaul Kit – Reference 121-Walbro

∅ Carburetor Overhaul Kit – Reference 121A-Nikki

2674-9

◆ Carburetor Gasket Set – Reference 977-Walbro

▽ Carburetor Gasket Set – Reference 977A-Nikki

Δ Valve Gasket Set – Reference 1095

Assemblies include all parts shown in frames.

12/1/2003

28S700

REF. NO.	PART NO.	DESCRIPTION	REF. NO.	PART NO.	DESCRIPTION	REF. NO.	PART NO.	DESCRIPTION
32	692852	Screw (Connecting Rod) (Used After Code Date 98063000).	54	691148	Screw (Intake Manifold)	121	●690191	Kit-Carburetor Overhaul
32A	690356	Screw (Connecting Rod) (1 7/8" Long) (Used Before Code Date 98070100).	73	494439	Screen-Rotating	121A	695427	Kit-Carburetor Overhaul
		Note	74	691674	Screw (Rotating Screen)	125	690194	Carburetor (Gravity Feed)
		690348 Screw (Connecting Rod) (1 5/8" Long) (Used Before Code Date 98070100).	74A	698425	Screw (Rotating Screen)			Note
33	695760	Valve-Exhaust	75	690582	Washer (Flywheel)			693194 Carburetor (Pump Feed) Used on Type No(s). 1144, 1151.
34	695761	Valve-Intake	78	697561	Screw (Flywheel Guard)	125A		Carburetor (Nikki) (Service with Walbro Carburetor, Gravity Feed)
35	691279	Spring-Valve (Intake)	84	690343	Plug-Breather			127 ●695005 Plug-Welch
36	691279	Spring-Valve (Exhaust)	93	●690602	Bushing-Throttle Shaft	127A	∅690727	Plug-Welch
37	690456	Guard-Flywheel	94	498030	Kit-Idle Mixture	130	691750	Valve-Throttle
42	499586	Keeper-Valve	94A	695425	Kit-Idle Mixture	130A	695418	Valve-Throttle
43	691968	Slinger-Governor/Oil	95	●691636	Screw (Throttle Valve)	131	494379	Kit-Throttle Shaft
44	690564	Tappet-Valve	95A	∅690718	Screw (Throttle Valve)	131A	695421	Kit-Throttle Shaft
46	698492	Camshaft (Used After Code Date 98063000).	98	495800	Kit-Idle Speed	133	494381	Float-Carburetor
46A	790340	Camshaft (Used Before Code Date 98070100).8	98A	695408	Kit-Idle Speed	133A	694914	Float-Carburetor
50	690193	Manifold-Intake	104	●690525	Pin-Float Hinge	135	696142	Tube-Fuel Transfer
51★▽△∅	692137	Gasket-Intake (Used After Code Date 97100500).	104A	●694918	Pin-Float Hinge	137	●281165	Gasket-Float Bowl
51A	272569	Gasket-Intake (Used Before Code Date 97100600).	105	●231855	Valve-Float Needle	137A	∅●695426	Gasket-Float Bowl
51B●♦▽∅	692284	Gasket-Intake (Used Before Code Date 97060600).	105A	∅694922	Valve-Float Needle	141	495931	Kit-Choke Shaft
53	690227	Stud (Carburetor)	106	●690577	Seat-Inlet (Gravity Feed)	141A	695420	Kit-Choke Shaft
					Note	142	●692412	Nozzle-Carburetor
					●691780 Seat-Inlet (Pump Feed) Used on Type No(s). 1144, 1151.	146	691639	Key-Timing
			108	692344	Valve-Choke	165	693148	Nut (Ring Gear)
			108A	695419	Valve-Choke	167	692297	Seal-Air Cleaner Nut
			117	●692408	Jet-Main (Standard)	176	★691917	Seal-O Ring (Air Cleaner Base)
			117A	∅695415	Jet-Main (Standard)	185	690958	Nut (Air Cleaner Base)
			118	232116	Jet-Main (High Altitude)	186	691609	Connector-Hose (Vacuum Line) (Breather Assembly)
			118A	∅695416	Jet-Main (High Altitude)	186A	692317	Connector-Hose (Carburetor)

★ Engine Gasket Set - Reference 358

● Carburetor Overhaul Kit - Reference 121-Walbro

∅ Carburetor Overhaul Kit - Reference 121A-Nikki

2674-10

♦ Carburetor Gasket Set - Reference 977-Walbro

▽ Carburetor Gasket Set - Reference 977A-Nikki

△ Valve Gasket Set - Reference 1095

Assemblies include all parts shown in frames.

12/1/2003

REF. NO.	PART NO.	DESCRIPTION	REF. NO.	PART NO.	DESCRIPTION	REF. NO.	PART NO.	DESCRIPTION		
187	691050	Line–Fuel (Cut to Required Length)	287	691002	Screw (Dipstick Tube)	337	491055	Plug–Spark ———— Note ————		
187A	697098	Line–Fuel (Formed) (3.5")	304	690497	Housing–Blower		691043	Plug–Spark Used on Type No(s). 1149, 1150.		
		———— Note ————	305	690960	Screw (Blower Housing)	344	693675	Screw (Cable Clamp) (Air Cleaner Base)		
		697907 Line–Fuel (Formed) (9.6")	306	698454	Shield–Cylinder	356	690807	Wire–Stop		
188	691693	Screw (Control Bracket)	307	691003	Screw (Cylinder Shield)	358	691580	Gasket Set–Engine		
192	691986	Adjuster–Rocker Arm	309	693551	Motor–Starter (Steel Ring Gear Only)	363	19203	Puller–Flywheel		
196	695493	Fan/Screen Assembly			———— Note ————	369	695422	Spring–Float Bowl		
202	691841	Link–Mechanical Governor			497595 Motor–Starter (3 5/8" Housing Length)	383	89838	Wrench–Spark Plug		
209	692208	Spring–Governor ———— Note ————			693054 Motor–Starter (3 5/8" Housing Length)	385	690960	Screw (Fuel Pump)		
		690480 Spring– Governor Used on Type No(s). 1144.			(Aluminum Ring Gear Only)	387	808656	Pump–Fuel		
		691795 Spring– Governor Used on Type No(s). 1111.			———— Note ————	403	690288	Washer (End Cap)		
216	691840	Link–Choke			497401 Motor–Starter (4 3/8" Housing Length)	404	691691	Washer (Governor Crank)		
217	695409	Spring–Choke Return			499521 Motor–Starter (4 3/8" Housing Length)	415	690283	Plug (Oil Pressure Switch)		
222	694042	Bracket–Control			(Aluminum Ring Gear Only)	445	496894	Filter–Air Cleaner Cartridge		
227	691374	Lever–Governor Control			———— Note ————	462	691261	Washer (Starter Cable)		
232	691842	Spring–Governor Link	309A		Motor–Starter (For Replacement Starter Motor, See Reference 309)	467	691668	Knob–Air Cleaner		
238	691843	Cap–Valve			310	690323	Screw (Starter Motor) (3 5/8" Housing Length)	474	696459	Alternator (Dual Circuit)
240	298090	Filter–Fuel ———— Note ————						474A	696457	Alternator (Tri–Circuit)
		394358 Filter–Fuel Used on Type No(s). 1151.						493	690493	Bracket–Mounting (Front)
265	691024	Clamp–Casing						493A	690494	Bracket–Mounting (Rear)
267	690804	Screw (Casing Clamp)						493B	694475	Bracket–Mounting (Regulator)
268	691025	Casing–Control Wire (Cut to Required Length)						501	691188	Regulator
269	691026	Wire–Control (Cut to Required Length)	311	497608	Brush Set			503	691532	Strap–Starter
270	691027	Nut (Control Wire Casing)	311A	395538	Brush Set (3 5/8" Housing Length)			505	691251	Nut (Governor Control Lever)
271	691028	Lever–Control			———— Note ————			510	693699	Drive–Starter (Used With Steel Ring Gear)
276	◆692255	Washer–Sealing	318	692127	Screw (Mounting Bracket)			510A	497606	Drive–Starter (Used With Aluminum or Plastic Ring Gears)
276A	∅◆695410	Washer–Sealing	333	495859	Armature–Magneto			510B	495878	Drive–Starter
			334	691061	Screw (Magneto Armature)					

★ Engine Gasket Set – Reference 358

● Carburetor Overhaul Kit – Reference 121–Walbro

∅ Carburetor Overhaul Kit – Reference 121A–Nikki

2674–11

◆ Carburetor Gasket Set – Reference 977–Walbro

▽ Carburetor Gasket Set – Reference 977A–Nikki

△ Valve Gasket Set – Reference 1095

Assemblies include all parts shown in frames.

12/1/2003

28S700

REF. NO.	PART NO.	DESCRIPTION	REF. NO.	PART NO.	DESCRIPTION	REF. NO.	PART NO.	DESCRIPTION
513	692024	Clutch-Drive	668	691215	Spacer (Rotating Screen)	783	693713	Gear-Pinion (Steel Ring Gear Only)
521	690581	Shield-Cable	668A	691500	Spacer (Rotating Screen)	783A	695708	Gear-Pinion (For Aluminum and Plastic Ring Gears)
523	495230	Dipstick	691	★692407	Seal-Governor Shaft	788	692133	Bracket-Fuel Pump
524	★281370	Seal-Dipstick Tube	695	693109	Screw (Ring Gear)	789	692037	Harness-Wiring
525	691398	Tube-Dipstick	697	690372	Screw (Drive Cap)	797	693167	Nut (Brush Retainer)
526	694476	Screw (Regulator)	697A	691058	Screw (Drive Cap)	801	691283	Cap-Drive
544	692034	Armature-Starter (3 5/8" Housing Length)	711	690703	Screw (Carburetor Shield)	802	691286	Cap-End
544A	390837	Armature-Starter (3 5/8" Housing Length)	718	690959	Pin-Locating Gear-Ring (Steel) (See Reference 23 For Service)	802A	395537	Cap-End (3 5/8" Housing Length)
		Note _____	726					Note _____
		490309 Armature- Starter (4 3/8" Housing Length)	726A	399676	Gear-Ring (Aluminum) (Services Plastic Ring Gear Only)	803	693757	Housing-Starter (3 5/8" Housing Length)
552	491986	Bushing-Governor Crank	727	490324	Cover-Starter Drive	803A	398159	Housing-Starter (3 5/8" Housing Length)
559	690661	Screw (Remote Choke Stop)	729	691335	Clip-Wire (Wiring Harness/ Solenoid)			Note _____
562	691119	Bolt (Governor Control Lever)	729A	224723	Clip-Wire (Starter Motor)			494205 Housing- Starter (4 3/8" Housing Length)
579	691029	Nut (Starter Cable)	732	691002	Screw (Starter Drive Cover)	810	691779	Extension-Crankshaft
601	95162	Clamp-Hose	733	698139	Screw (Crankshaft Extension) (Without Washer)	823	690363	Screw (Muffler Adapter)
601A	691038	Clamp-Hose	737	691118	Screw (Oil Filter Adapter)	830	691095	Stud-Rocker Arm
607	690703	Screw (Air Cleaner Brace)	741	691284	Gear-Timing	842	★691870	Seal-O Ring (Dipstick Tube)
607A	691693	Screw (Air Cleaner Brace)	750	691033	Screw (Oil Pump Cover) (Used After Code Date 98063000).	847	496415	Dipstick/Tube Assembly
614	691620	Pin-Cotter	750A	692198	Screw (Oil Pump Cover) (Used Before Code Date 98070100).	851	692424	Terminal-Spark Plug
616	692012	Crank-Governor	757	691714	Link-Counterweight	864	495864	Adapter-Muffler Used on Type No(s). 1149, 1150.
617	★692138	Seal-O Ring (Intake Manifold)	758	692423	Counterweight			
628	690661	Screw (Fuel Pump Bracket)	759	691239	Pin-Counterweight			
633	∅690998	Seal-Choke/Throttle Shaft	761	691096	Screw (Counterweight)			
633A	695414	Seal-Choke/Throttle Shaft						
634	●690802	Spring/Seal Assembly						
635	691909	Boot-Spark Plug						
646	690460	Brace-Air Cleaner						
654	690958	Nut (Carburetor)						

★ Engine Gasket Set - Reference 358

● Carburetor Overhaul Kit - Reference 121-Walbro

∅ Carburetor Overhaul Kit - Reference 121A-Nikki

2674-12

◆ Carburetor Gasket Set - Reference 977-Walbro

▽ Carburetor Gasket Set - Reference 977A-Nikki

△ Valve Gasket Set - Reference 1095

Assemblies include all parts shown in frames.

12/1/2003

28S700

REF. NO.	PART NO.	DESCRIPTION	REF. NO.	PART NO.	DESCRIPTION	REF. NO.	PART NO.	DESCRIPTION
868	Δ★690968	Seal-Valve	969	690365	Screw (Blower Housing Cover)	1036	695700	Label-Emissions (Used After Code Date 00063000).
875	694942	Base-Air Cleaner						_____ Note _____
876	495877	Kit-Pinion Spring	969A	690960	Screw (Blower Housing Cover)			694997 Label-Emissions (Used Before Code Date 00070100 and After Code Date 99093000).
877	393456	Wire/Connector- Alternator						
877A	393537	Wire/Connector- Alternator	971	692129	Screw (Air Cleaner Base to Carburetor)			
878	691237	Harness-Alternator						
878A	691955	Harness-Alternator	975	495933	Bowl-Float			
883	692236	Gasket-Exhaust	975A	695417	Bowl-Float			694318 Label-Emissions (Used Before Code Date 99100100 and After Code Date 98123100).
896	691641	Pin-Drive Retainer	977	690192	Gasket Set-Carburetor			
914	690960	Screw (Rocker Cover)	977A	695428	Gasket Set-Carburetor			
918	393815	Hose-Vacuum (Cut to Required Length)	987	●691326	Seal-Throttle Shaft			
921	692493	Cover-Blower Housing (Red)	988	★691317	Gasket-Oil Adapter			
		_____ Note _____	996	690678	Shield-Carburetor			
		692679 Cover-Blower Housing (Black)	1005	697853	Fan-Flywheel (Used After Code Date 02030100).			499364 Label-Emissions (Used Before Code Date 99010100).
					_____ Note _____			
					695492 Fan-Flywheel (Used Before Code Date 02030200).	1051	691265	Ring-Retaining
934	691058	Screw (Fan Retainer)	1005A	691905	Fan-Flywheel	1055	690528	Tube-Oil Pump
943	690589	Seal-O Ring (Oil Pump Cover) (Used After Code Date 98063000).	1006	690452	Retainer-Fan	1058	275038	Operator's Manual
943A	★690604	Seal-O Ring (Oil Pump Cover) (Used Before Code Date 98070100).	1017	690770	Screen-Oil Pump (Used After Code Date 98071900).	1059	698516	Kit-Screw/Washer (Alternator)
947	692734	Solenoid-Fuel	1017A	691216	Screen-Oil Pump	1070	690372	Screw (Flywheel Fan)
947A	695423	Solenoid-Fuel	1019	496758	Kit-Label	1083	690958	Nut (End Cap) (Serrated)
958	698183	Valve-Fuel Shut Off	1022	Δ★272475	Gasket-Rocker Cover	1083A	691626	Nut (End Cap)
965	499613	Cover-Oil Pump (Used After Code Date 98063000).	1023	692492	Cover-Rocker	1090	691293	Retainer-Brush
965A	496745	Cover-Oil Pump (Used Before Code Date 98070100).	1023A	691192	Cover-Rocker Used on Type No(s). 1149, 1150.	1091	691333	Cap-Limiter
967	272403	Filter-Pre Cleaner	1024	499054	Pump-Oil (Used After Code Date 98063000).	1095	691581	Gasket Set-Valve
968	692502	Cover-Air Cleaner	1024A	493884	Pump-Oil (Used Before Code Date 98070100).	1119	691183	Screw (Alternator)
			1026	692003	Rod-Push (Intake)	1127	695407	Screw (Float Bowl)
					_____ Note _____	1330	272147	Repair Manual
					692011 Rod-Push (Exhaust)			
			1027	492932	Filter-Oil			
			1028	496744	Adapter-Oil Filter			
			1029	691751	Arm-Rocker			
			1032	491710	Ball-Oil Pump			
			1034	690822	Guide-Push Rod			
			1035	693784	Shaft-Pump (Used After Code Date 98063000).			

★ Engine Gasket Set - Reference 358

● Carburetor Overhaul Kit - Reference 121-Walbro

∅ Carburetor Overhaul Kit - Reference 121A-Nikki

2674-13

◆ Carburetor Gasket Set - Reference 977-Walbro

▽ Carburetor Gasket Set - Reference 977A-Nikki

Δ Valve Gasket Set - Reference 1095

Assemblies include all parts shown in frames.

12/1/2003