

226400 to 226499

Illustrated Parts List

Model Series

226400 to 226499

TYPE NUMBERS

0005, 0006, 0035,
0036, 0037, 0045,
0047, 0049, 0060,
0101, 0103, 0111,
0114, 0115, 0145,
1005, 1006, 1035,
1049, 1101, 1114.

TO FIND

THE CORRECT NUMBER OF THE PART YOU NEED: FOLLOW THE INSTRUCTIONS BELOW

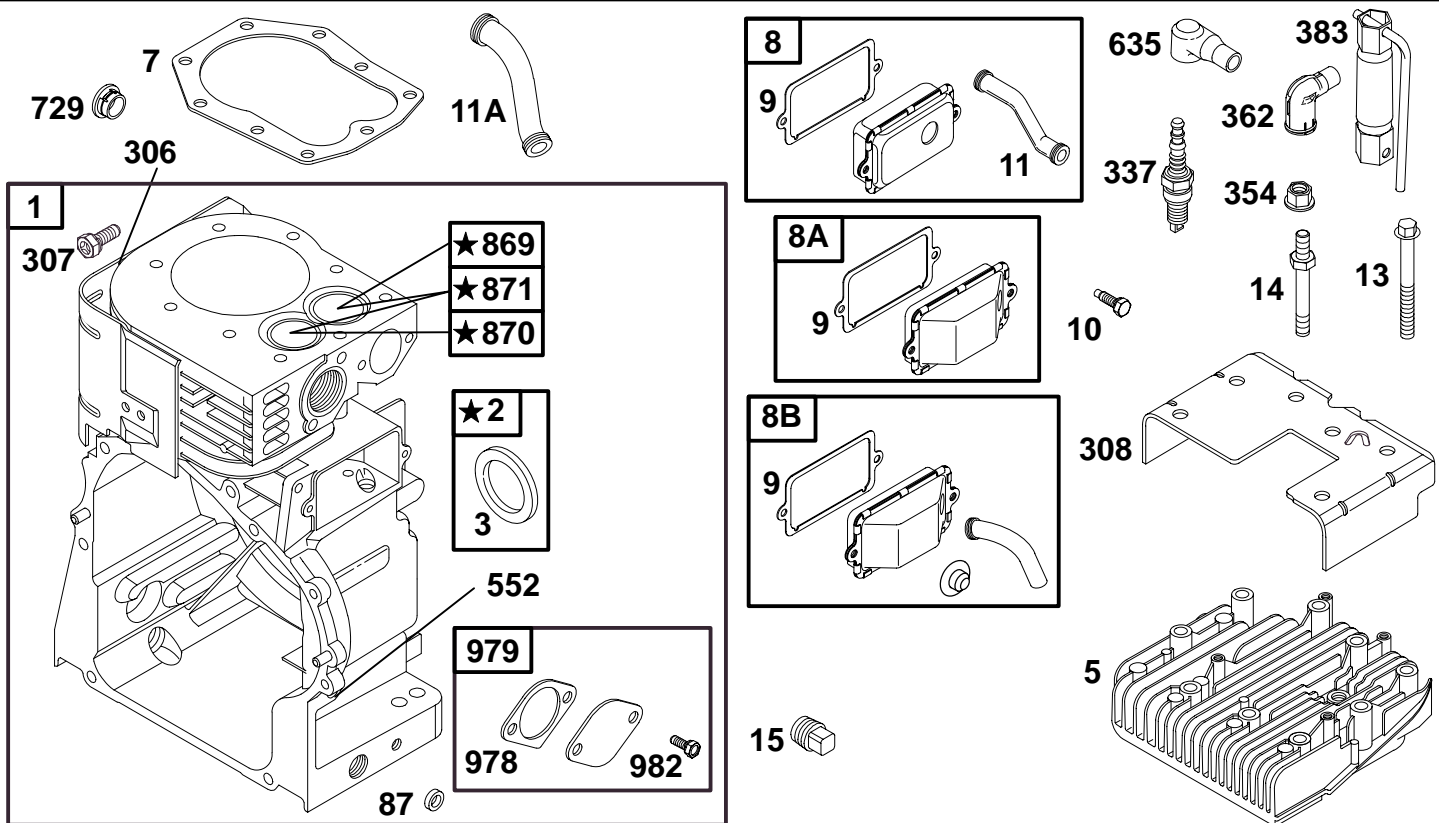
- A. Refer to Engine Model, Type and Code Number that is stamped on the blower housing of engine. Engine type numbers such as 0123 01 are listed only as 0123 in most instances. The two digits (01 or 02, etc.) to the right of the space may be required for more accurate parts identification in some instances. Select the Illustrated Parts List covering the correct Model Series and Type Number.
- B. Refer to the Illustrations and compare the original part with Illustration. The number next to the illustration is the Reference Number. Assemblies include all parts shown in frames. All parts shown in assembly frames having individual reference numbers can be purchased separately.
- C. After the Reference Number has been identified, refer to the Numerical text, where Reference and Primary Part Number are listed. **THE PRIMARY PART IS USED ON ALL TYPE NUMBERS EXCEPT THOSE TYPE NUMBERS UNDER "NOTE."**
- D. If a "Note" appears below the Primary Part Number, it means that this part differs from the Primary Part for certain types. If your Type number is listed under "Note," order the part referred to at the "Note."
- E. If your Engine Type Number does not appear after any part number listed under "Note," use the Primary Part Number.
- F. For Engine Type Numbers not covered by this book, check other Parts Lists having the same engine model or contact your source of supply.

PRINTED IN U.S.A.



COPYRIGHT by BRIGGS & STRATTON CORPORATION
All rights reserved. No part of this material may be reproduced or transmitted, in any form or by any means, electronic or mechanical, including photocopying, recording or by any information storage and retrieval system, without permission in writing from Briggs & Stratton Corporation.

226400 to 226499



★ REQUIRES SPECIAL TOOLS TO INSTALL.
SEE REPAIR INSTRUCTION MANUAL.

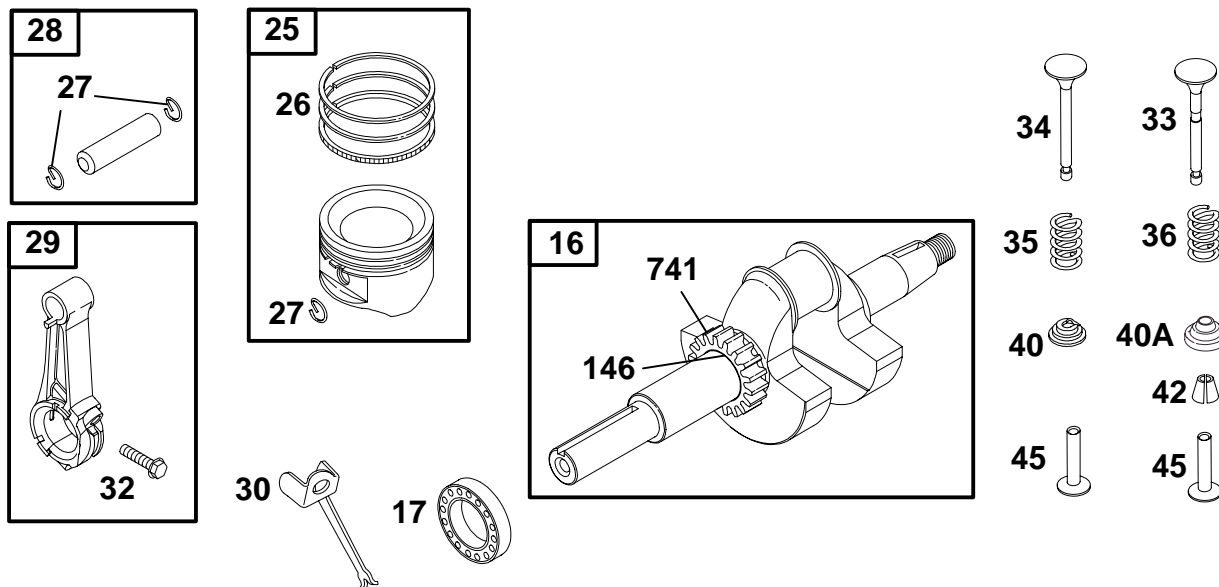
1058 OWNER'S MANUAL **1019 LABEL KIT**

REF. NO.	PART NO.	DESCRIPTION	REF. NO.	PART NO.	DESCRIPTION	REF. NO.	PART NO.	DESCRIPTION
1	497411	Cylinder Assembly	11A	280225	Tube-Breather (Used After Code Date 95010100 and Before Code Date 95040300).	552	491893	Bushing-Governor Crank
2	399265	Bushing/Seal Kit	13	94622	Screw (Cylinder Head)	635	66538	Boot-Spark Plug
3	★391086	Seal-Oil	14	94776	Stud (Cylinder Head)	729	281396	Clip-Wire
5	214194	Head-Cylinder	15	94239	Plug-Oil Drain Note 92738 Plug-Oil Drain (Magnetic)	869	261463	Seat-Valve (Intake)
7	★271866	Gasket-Cylinder Head	87	491323	Seal-Governor Shaft	870	262924	Seat-Valve (Exhaust)
8	498038	Breather Assembly (Used After Code Date 95040200).	306	224882	Shield-Cylinder	871	261961	Bushing-Guide (Exhaust)
8A	495736	Breather Assembly (Used After Code Date 95010100 and Before Code Date 95040300).	307	94930	Screw (Cylinder Shield)	978	★271736	Gasket-OIL GARD®
8B	497710	Breather Assembly (Used Before Code Date 95010200).	308	224897	Cover-Cylinder	979	494807	Cover-OIL GARD®
9	★27803	Gasket-Breather	337	802592	Plug-Spark	982	94658	Screw (OIL GARD® Cover)
10	94621	Screw (Breather)	354	94726	Nut	1019	497156	Label Kit
11	280819	Tube-Breather (Used After Code Date 95040200).	362	392273	Shield-Spark Plug	1058	273682	Owner's Manual Emission Engines Note 272848 Owner's Manual Non Emission Engines
			383	89838	Wrench-Spark Plug			

★ Included in Gasket Set-Ref. No.358.
● Included in Carburetor Kit-Ref. No. 121.

◆ Included in Carburetor Gasket Set-Ref. No. 977.
⊘ Included in Valve Overhaul Gasket Set-Ref. No. 1095.

226400 to 226499

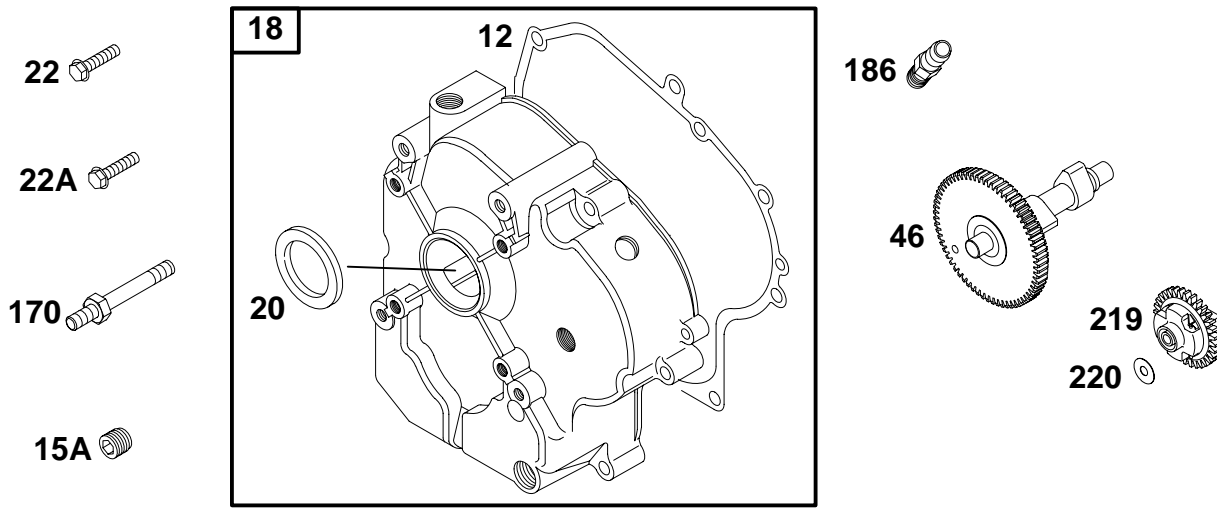


REF. NO.	PART NO.	DESCRIPTION	REF. NO.	PART NO.	DESCRIPTION	REF. NO.	PART NO.	DESCRIPTION
16	497487	Crankshaft _____ Note _____ 496541 Crankshaft Used on Type No(s). 0005, 0006, 0037, 0115, 0145, 1006. 497489 Crankshaft Used on Type No(s). 0047. 497490 Crankshaft Used on Type No(s). 0049, 0060, 0103, 1049.	27	263129	Lock-Piston Pin (Used After Code Date 95101500). _____ Note _____ 260924 Lock-Piston Pin (Used Before Code Date 95101600).	29	393860	Rod-Connecting (Standard) _____ Note _____ 393861 Rod-Conn. (.020" Undersize)
17	291667	Bearing-Ball	28	498319	Pin-Piston (Standard) (Used After Code Date 95101500). _____ Note _____ 299691 Pin-Piston (Standard) (Used Before Code Date 95101600).	30	222329	Dipper-Conn. Rod
25	497518	Piston Assembly (Standard) _____ Note _____ 497519 Piston Assy. (.010" O.S.) 497520 Piston Assy. (.020" O.S.) 497521 Piston Assy. (.030" O.S.)				32	95017	Screw-Conn. Rod
26	497522	Ring Set (Standard) _____ Note _____ 497523 Ring Set (.010" O.S.) 497524 Ring Set (.020" O.S.) 497525 Ring Set (.030" O.S.)				33	261185	Valve-Exhaust
						34	261462	Valve-Intake
						35	65906	Spring-Valve (Intake)
						36	26828	Spring-Valve (Exhaust)
						40	221596	Retainer-Valve (Intake)
						40A	292260	Retainer-Valve (Exhaust)
						42	494553	Keeper-Valve
						45	262248	Tappet-Valve
						146	94196	Key-Timing
						741	262932	Gear-Timing

★ Included in Gasket Set-Ref. No.358.
 ● Included in Carburetor Kit-Ref. No. 121.

◆ Included in Carburetor Gasket Set-Ref. No. 977.
 ☉ Included in Valve Overhaul Gasket Set-Ref. No. 1095.

226400 to 226499

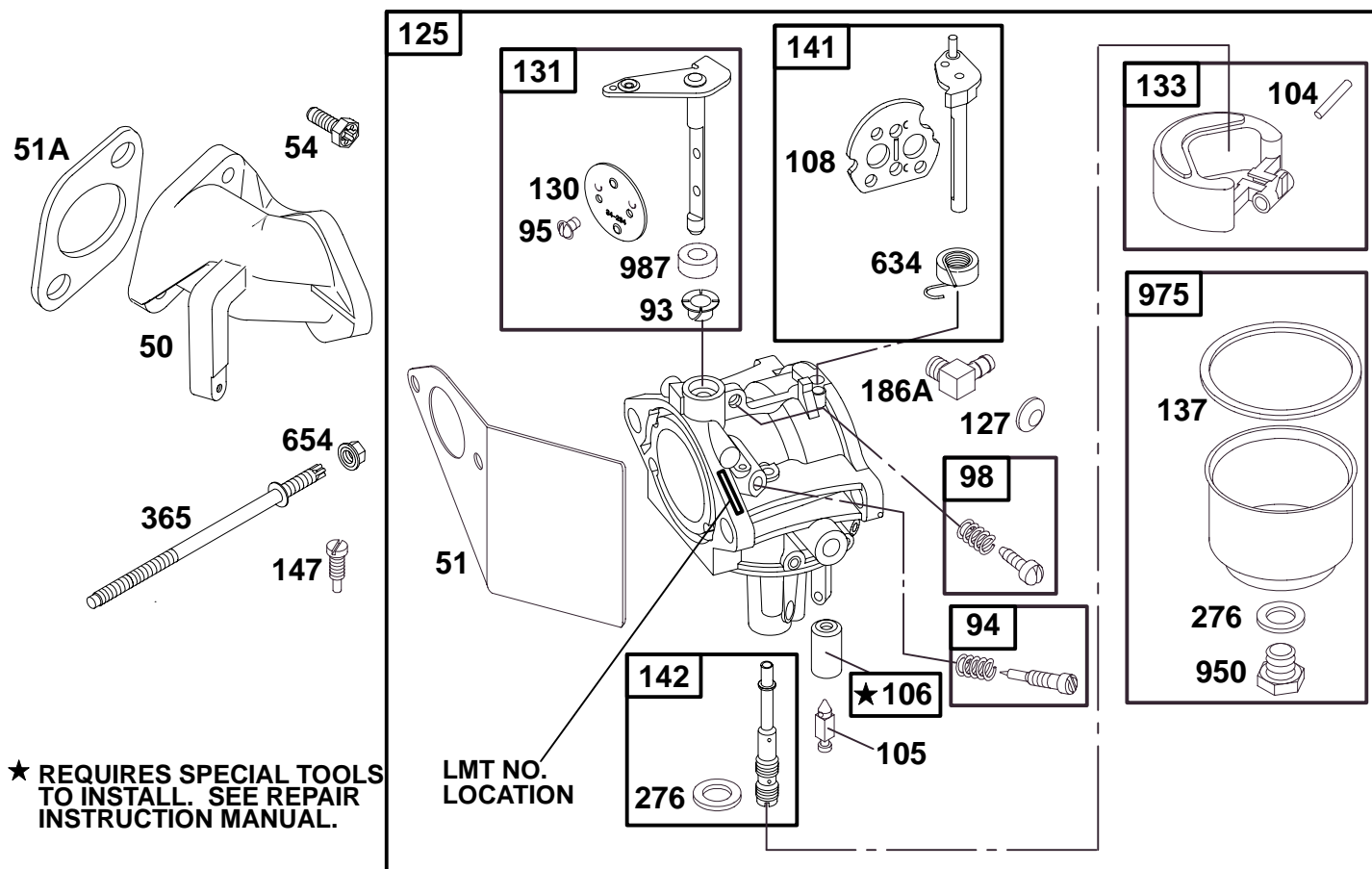


REF. NO.	PART NO.	DESCRIPTION	REF. NO.	PART NO.	DESCRIPTION	REF. NO.	PART NO.	DESCRIPTION
12	★272125	Gasket-Crankcase (.015" Thick)	18	496977	Cover-Crankcase	22A	93764	Screw (Crankcase Cover) (Use in Position 6)
		Note			Note			
	★272219	Gasket-Crankcase (.005" Thick)		496978	Cover-Crankcase	170	94931	Stud (Crankcase Cover)
	★272220	Gasket-Crankcase (.009" Thick)			Used on Type No(s). 0049, 0103, 0060, 1049.	46	692123	Gear-Cam
15A	94880	Plug-Oil Drain	20	★291675	Seal-Oil	186	230318	Connector-Hose
			22	93585	Screw (Crankcase Cover)	219	497037	Gear-Governor
						220	221551	Washer-Thrust

★ Included in Gasket Set-Ref. No.358.
● Included in Carburetor Kit-Ref. No. 121.

◆ Included in Carburetor Gasket Set-Ref. No. 977.
∅ Included in Valve Overhaul Gasket Set-Ref. No. 1095.

226400 to 226499

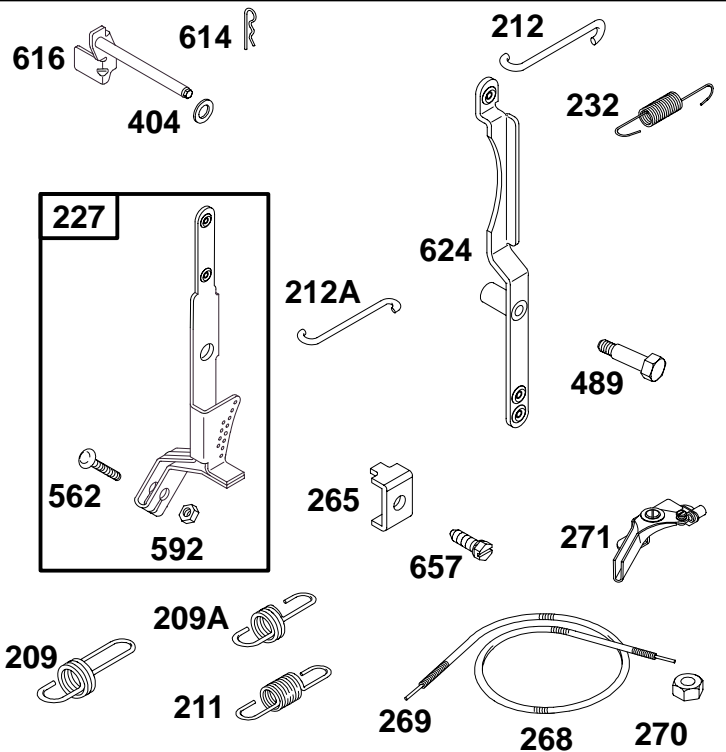
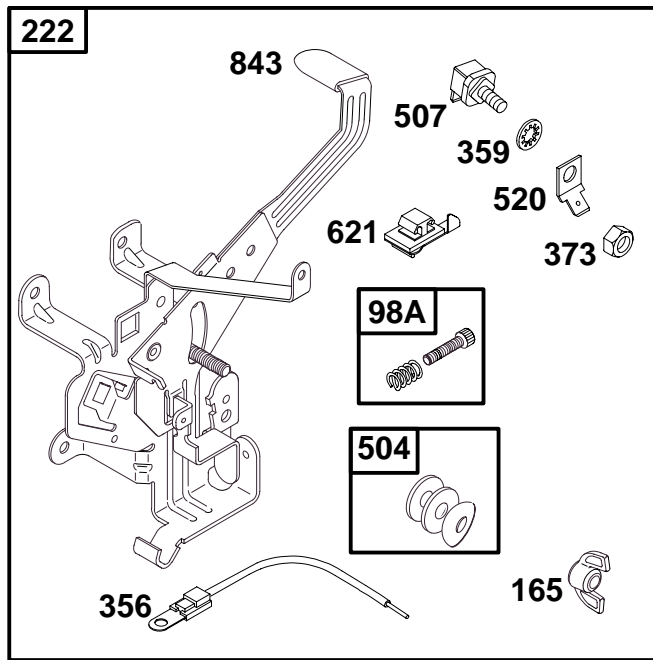


REF. NO.	PART NO.	DESCRIPTION	REF. NO.	PART NO.	DESCRIPTION	REF. NO.	PART NO.	DESCRIPTION
50	214170	Manifold-Intake	130	224539	Valve-Throttle	186A	493496	Connector-Hose
51	♦♦272708	Gasket-Intake	131	497846	Throttle Shaft Kit	276	♦♦281164	Washer-Seal
51A	∅♦272707	Gasket-Intake	133	494381	Float-Carburetor	365	94778	Stud
54	94616	Screw	137	♦♦281165	Gasket-Float Bowl	(Carburetor)		
93	♦281346	Bushing-Throttle Shaft	141	497160	Choke Shaft Kit	634	♦494455	Seal-Spring Assembly
94	496589	Kit-Idle Mixture (Used on LMT 175)	142	499744	Nozzle-Carburetor (Standard) (Used on LMT 175)	654	94010	Nut (Carburetor)
	Note				Note	950	94642	ScrewBowl Mounting (Bowl Mounting)
		494383 Kit-Idle Mixture (Used on LMT 101)			♦497448 Nozzle-Carb. (Standard) (Used on LMT 101)	975	495933	Bowl-Float
95	♦94098	Screw-Choke/Throttle			499826 Nozzle-Carb. (High Altitude) (Used on LMT 175)	987	♦281166	Seal-Throttle Shaft
98	495800	Screw-Idle Speed			497449 Nozzle-Carb. (High Altitude) (Used on LMT 101)			
104	♦231789	Pin-Float Hinge	147	♦497472	Jet-Pilot (Used on LMT 101)			
105	♦231935	Valve-Float Needle						
106	♦231856	Seat-Inlet						
108	224666	Valve-Choke						
125	497451	Carburetor						
127	•	Plug-Welch (Sold in Kit Only)						

★ Included in Gasket Set-Ref. No.358.
 ♦ Included in Carburetor Kit-Ref. No. 121.

♦ Included in Carburetor Gasket Set-Ref. No. 977.
 ∅ Included in Valve Overhaul Gasket Set-Ref. No. 1095.

226400 to 226499

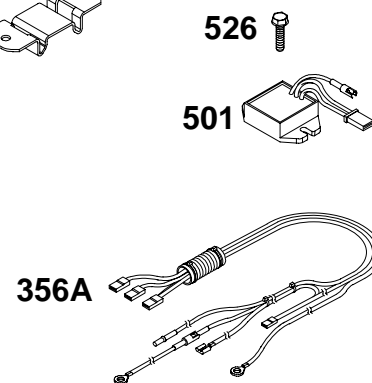
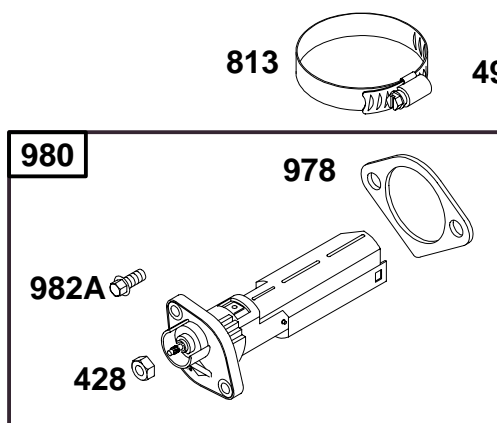
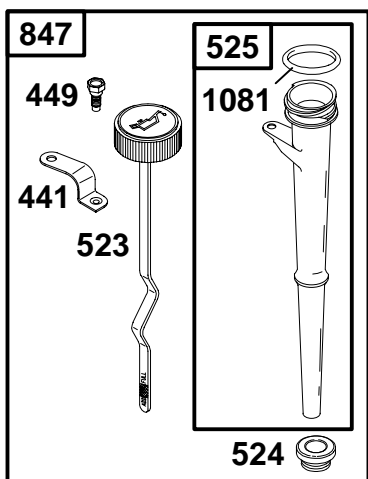
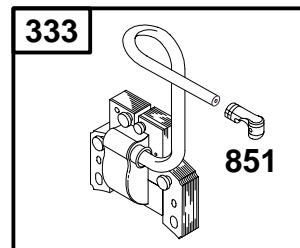
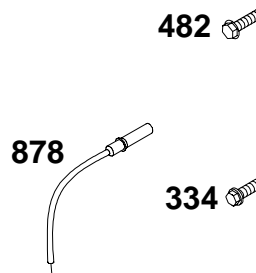
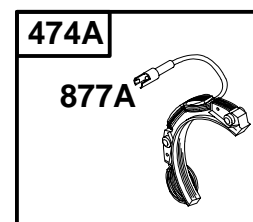
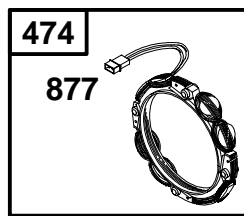
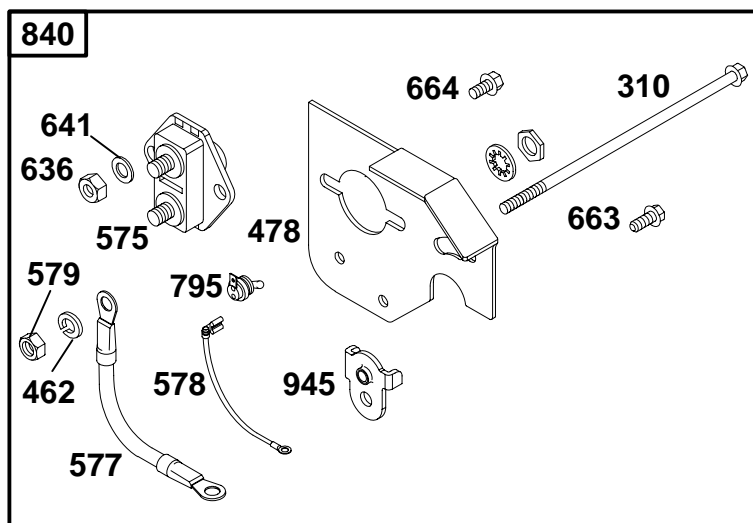


REF. NO.	PART NO.	DESCRIPTION	REF. NO.	PART NO.	DESCRIPTION	REF. NO.	PART NO.	DESCRIPTION		
98A	493280	Screw—Idle Speed	222	499104	Bracket—Control (Used After Code Date 97042700).	269	26633	Wire—Control (Cut to Required Length)		
165	94692	Nut—Wing			Note	270	63426	Locknut—Casing		
209	263237	Spring—Governor (Used After Code Date 97042700).			499107 Bracket—Control (Used After Code Date 97042700). Used on Type No(s). 0047.	271	290568	Lever—Control		
		Note			496313 Bracket—Control (Used Before Code Date 97042800).	356	496868	Wire—Stop		
		263214 Spring—Governor (Used After Code Date 97042700). Used on Type No(s). 0047.			227	692143	Lever—Governor (Used After Code Date 97042700).	359	92791	Washer (Terminal Ground)
209A	263055	Spring—Governor (Used Before Code Date 97042800).						373	90576	Nut (Terminal Ground)
211	263238	Spring—Governor Idler (Used After Code Date 97042700).						404	94927	Washer (Governor Crank)
212	263049	Link—Throttle						489	231520	Screw (Linkage Lever)
212A	263050	Link—Throttle						504	495659	Set—Friction Washer
								507	398525	Insulator
								520	93722	Terminal—Ground
								562	94907	Bolt (Governor Lever)
								592	231082	Nut (Governor Lever)
								614	93306	Pin—Cotter (Governor Crank)
			232	263020	Spring—Link			616	496845	Crank—Governor
			231	94620	Screw (Control Bracket)			621	396847	Switch—Stop
			265	221535	Clamp—Casing			624	497207	Lever—Linkage
			268	65616	Casing—Control Wire (Cut to Required Length)			657	93496	Screw (Casing Clamp)
								843	280643	Sleeve—Lever

★ Included in Gasket Set—Ref. No.358.
● Included in Carburetor Kit—Ref. No. 121.

◆ Included in Carburetor Gasket Set—Ref. No. 977.
⊗ Included in Valve Overhaul Gasket Set—Ref. No. 1095.

226400 to 226499

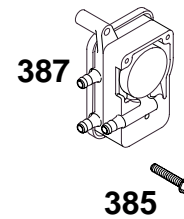
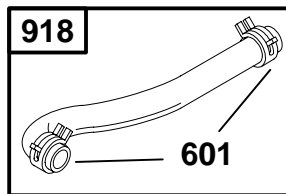
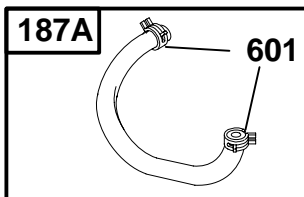
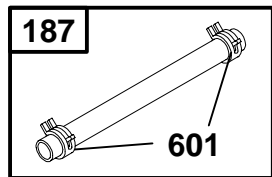
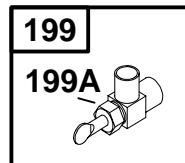
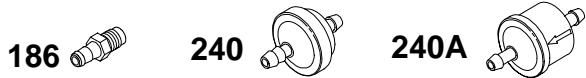
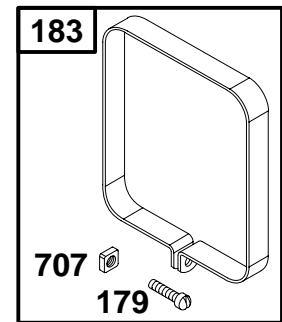
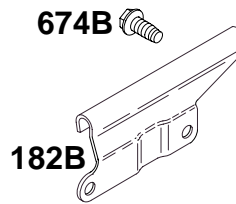
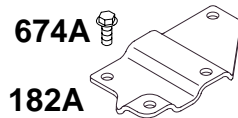
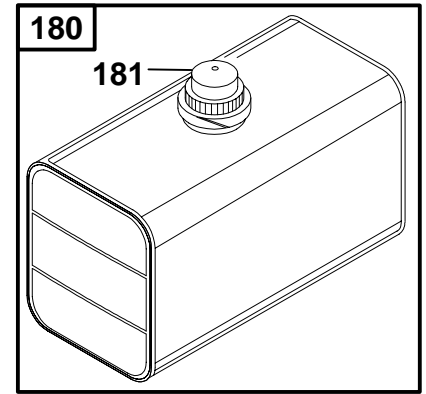
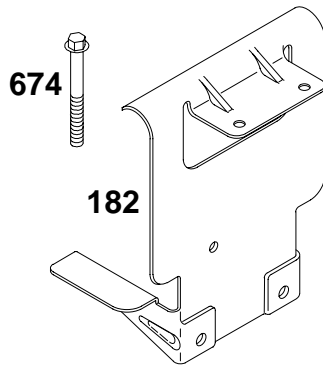
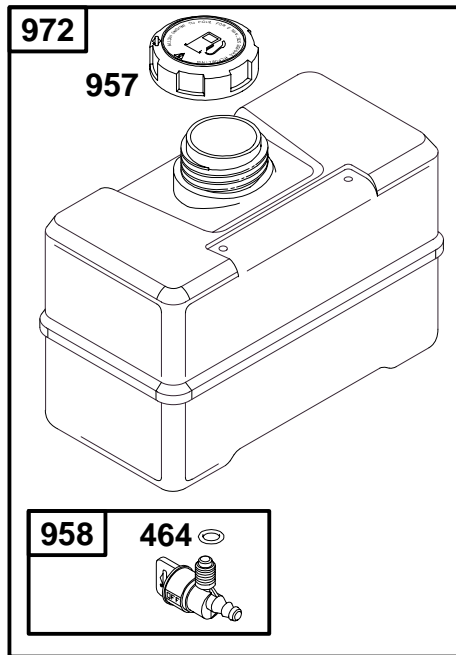


REF. NO.	PART NO.	DESCRIPTION	REF. NO.	PART NO.	DESCRIPTION	REF. NO.	PART NO.	DESCRIPTION
310	94003	Screw (Starter Motor)	478	395410	Panel	663	94620	Screw (Panel)
333	398811	Armature-Magneto	482	93621	Screw (Alternator)	664	94881	Screw (Panel)
334	94731	Screw (Armature)	493	222934	Bracket-Mounting	795	496590	Switch-Toggle
356A	496612	Wire-Stop	501	394890	Regulator	840	395408	Panel Kit
		Note	523	497214	Dipstick	813	393514	Clamp
		496614 Wire-Stop Used on Type No(s) 0047.	524	★281370	Seal-Fill Tube	847	497458	Dipstick/Tube Assembly
428	90576	Nut (OIL GARD® Kit)	525	495347	Tube-Oil Fill	851	493880	Terminal-Cable
441	225111	Bracket-Oil Fill	526	93343	Screw (Regulator)	877	393456	Wire-Alternator
449	94984	Screw (Oil Fill Bracket)	575	299139	Switch-Starting	877A	393814	Wire-Alternator
462	90366	Washer (Starter Cable)	577	392683	Cable-Starter	878	393422	Harness-Alternator
474	393295	Alternator	578	397674	Wire Assembly	945	223159	Bracket-Motor
474A	391529	Alternator	579	92278	Nut (Starter Cable)	978	★271736	Gasket
			636	92278	Nut (Starting Switch)	980	496605	OIL GARD® Kit
			641	91325	Washer (Starting Switch)	982A	94657	Screw (OIL GARD® Kit)
						1081	★271170	Seal-O-Ring

★ Included in Gasket Set-Ref. No.358.
● Included in Carburetor Kit-Ref. No. 121.

◆ Included in Carburetor Gasket Set-Ref. No. 977.
⊗ Included in Valve Overhaul Gasket Set-Ref. No. 1095.

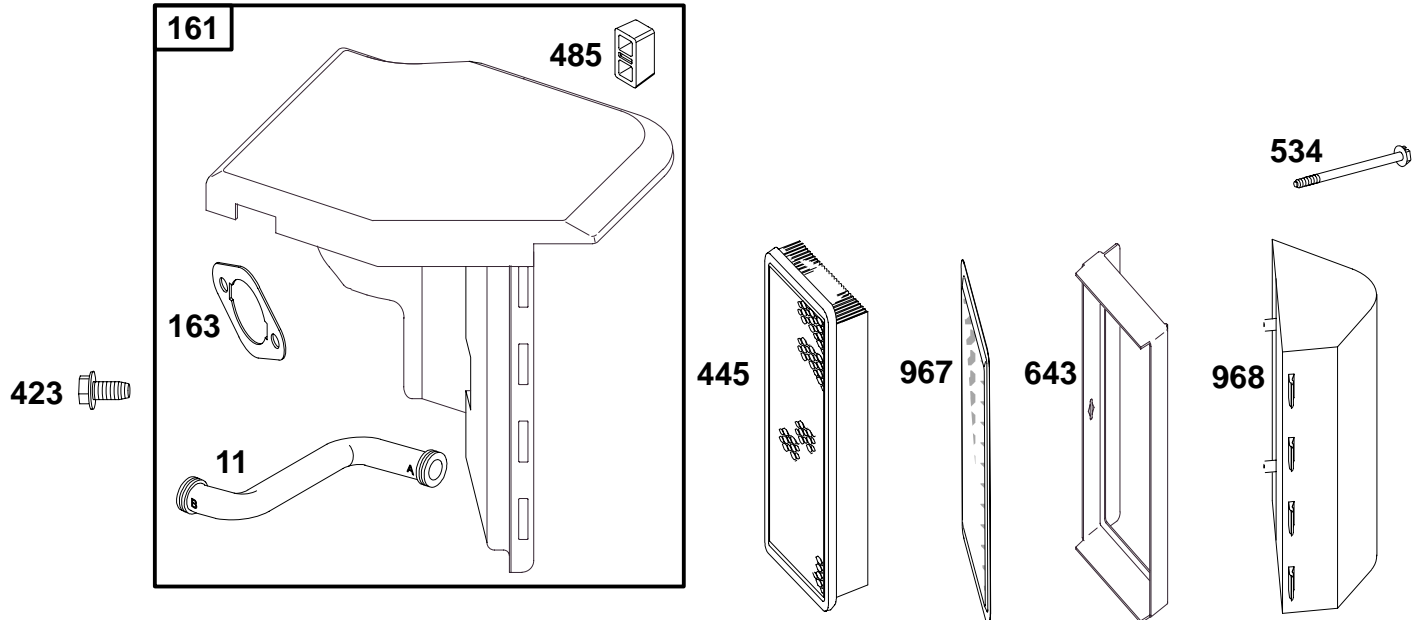
226400 to 226499



REF. NO.	PART NO.	DESCRIPTION	REF. NO.	PART NO.	DESCRIPTION	REF. NO.	PART NO.	DESCRIPTION
179	91257	Screw (Fuel Tank Strap)	187A	497029	Line-Fuel	674B	94627	Screw (Fuel Tank Bracket)
180	291488	Tank-Fuel (Metal)	199	297563	Valve-Shut Off	707	90970	Nut (Fuel Tank Strap)
181	392305	Cap-Fuel Tank (Metal)	199A	293934	Valve-Shut Off	917	223271	Handle-Shut Off Valve
182	224878	Bracket-Fuel Tank	240	394358	Filter-Fuel	918	398367	Hose-Vacuum
182A	224854	Bracket-Fuel Tank	240A	493629	Filter-Fuel	957	493988	Cap-Fuel Tank (Plastic)
182B	224856	Bracket-Fuel Tank	385	94789	Screw (Fuel Pump)	958	399517	Valve-Shut Off
183	291490	Strap-Fuel Tank	387	496257	Pump-Fuel	972	493337	Tank-Fuel (Plastic)
186	230318	Connector-Hose	464	280203	Seal-O-Ring			
187	296004	Line-Fuel (Cut to Required Length)	601	93053	Clamp-Hose			
			674	94622	Screw (Fuel Tank Bracket)			
			674A	94095	Screw-Hex. (Fuel Tank Bracket)			

★ Included in Gasket Set-Ref. No.358.
● Included in Carburetor Kit-Ref. No. 121.

◆ Included in Carburetor Gasket Set-Ref. No. 977.
⊗ Included in Valve Overhaul Gasket Set-Ref. No. 1095.

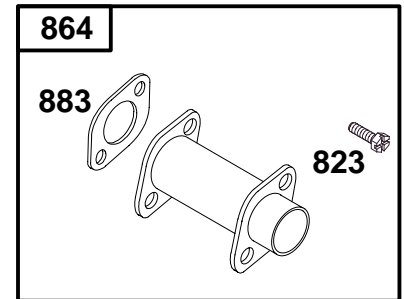
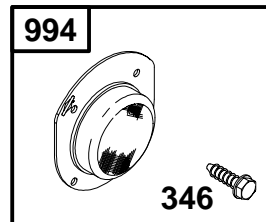
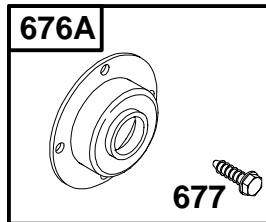
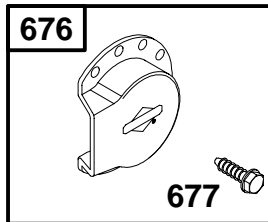
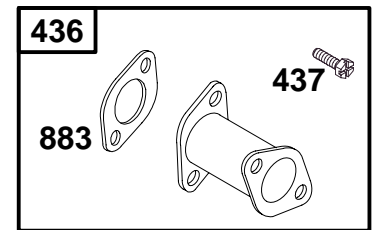
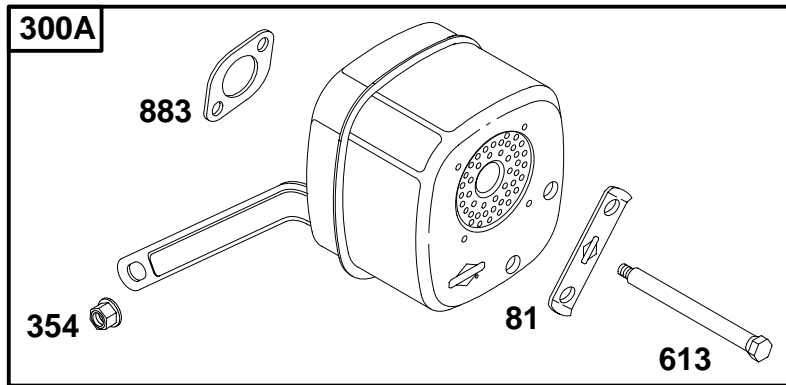
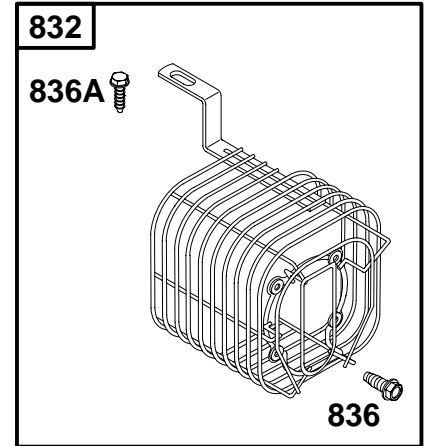
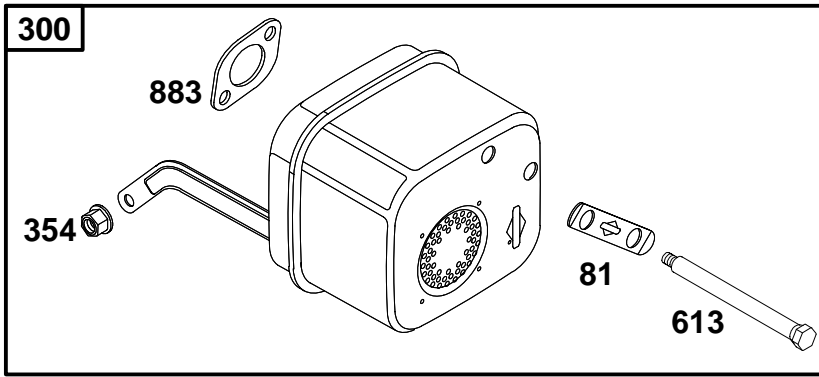


REF. NO.	PART NO.	DESCRIPTION	REF. NO.	PART NO.	DESCRIPTION	REF. NO.	PART NO.	DESCRIPTION
11	280819	Tube-Breather	163	∅★692277	Gasket-Air Cleaner	534	94777	Screw
161	497669	Base-Air Cleaner (Used After Code Date 95010100).	423	94930	Screw (Air Cleaner Base)	643	281358	Retainer-Air Filter
		Note	445	496077	Filter-A/C Cartridge	967	492889	Filter-Precleaner
		498544 Base-Air Cleaner (Used Before Code Date 95010200).	485	280715	Knob-Control	968	281357	Cover-Air Cleaner

★ Included in Gasket Set-Ref. No.358.
● Included in Carburetor Kit-Ref. No. 121.

◆ Included in Carburetor Gasket Set-Ref. No. 977.
∅ Included in Valve Overhaul Gasket Set-Ref. No. 1095.

226400 to 226499

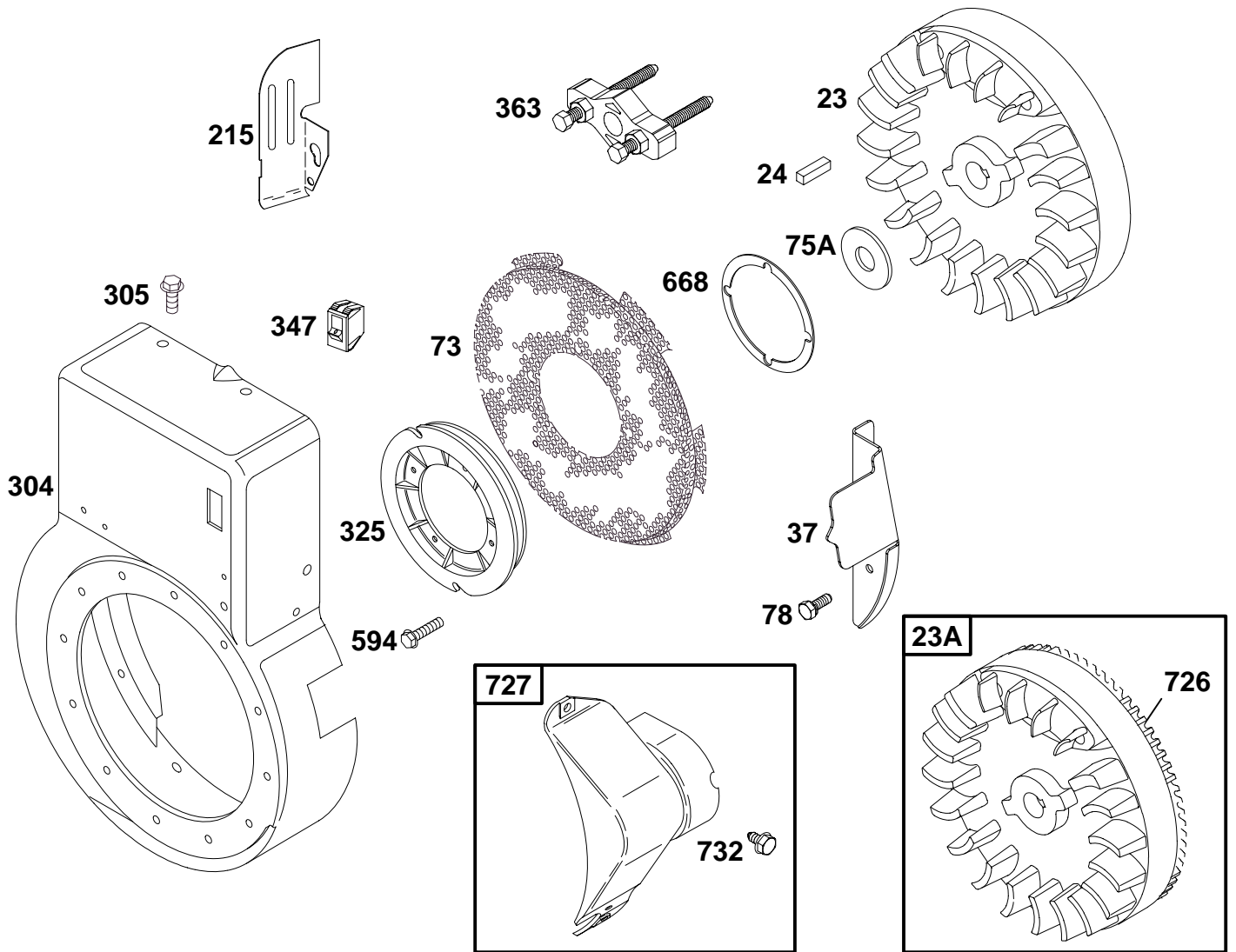


REF. NO.	PART NO.	DESCRIPTION	REF. NO.	PART NO.	DESCRIPTION	REF. NO.	PART NO.	DESCRIPTION
81	223016	Lock-Muffler Screw	613	93927	Screw (Muffler Exhaust)	836	94887	Screw (Muffler Guard)
300	497470	Muffler-Exhaust	676	393761	Deflector-Muffler	836A	94786	Screw (Muffler Guard)
300A	497966	Muffler-Exhaust	676A	396903	Deflector-Muffler	864	497965	Adapter-Muffler
346	93705	Screw (Spark Arrester)	677	93705	Screw (Muffler Deflector)	883	272293	Gasket-Exhaust
354	94726	Nut (Muffler Exhaust)	823	94755	Screw (Muffler Adapter)	994	392390	Arrester-Spark
436	497469	Manifold-Exhaust	832	496778	Guard-Muffler			
437	94755	Screw (Exhaust Manifold)						

★ Included in Gasket Set-Ref. No.358.
● Included in Carburetor Kit-Ref. No. 121.

◆ Included in Carburetor Gasket Set-Ref. No. 977.
⊙ Included in Valve Overhaul Gasket Set-Ref. No. 1095.

226400 to 226499

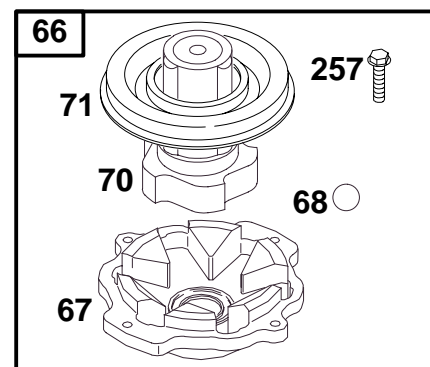
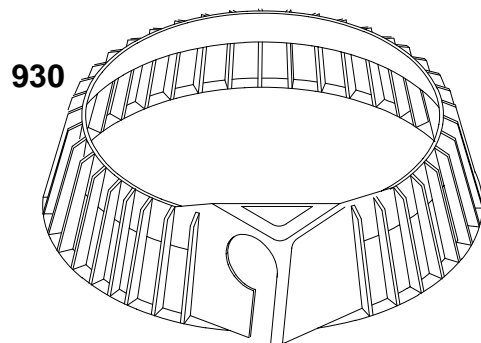
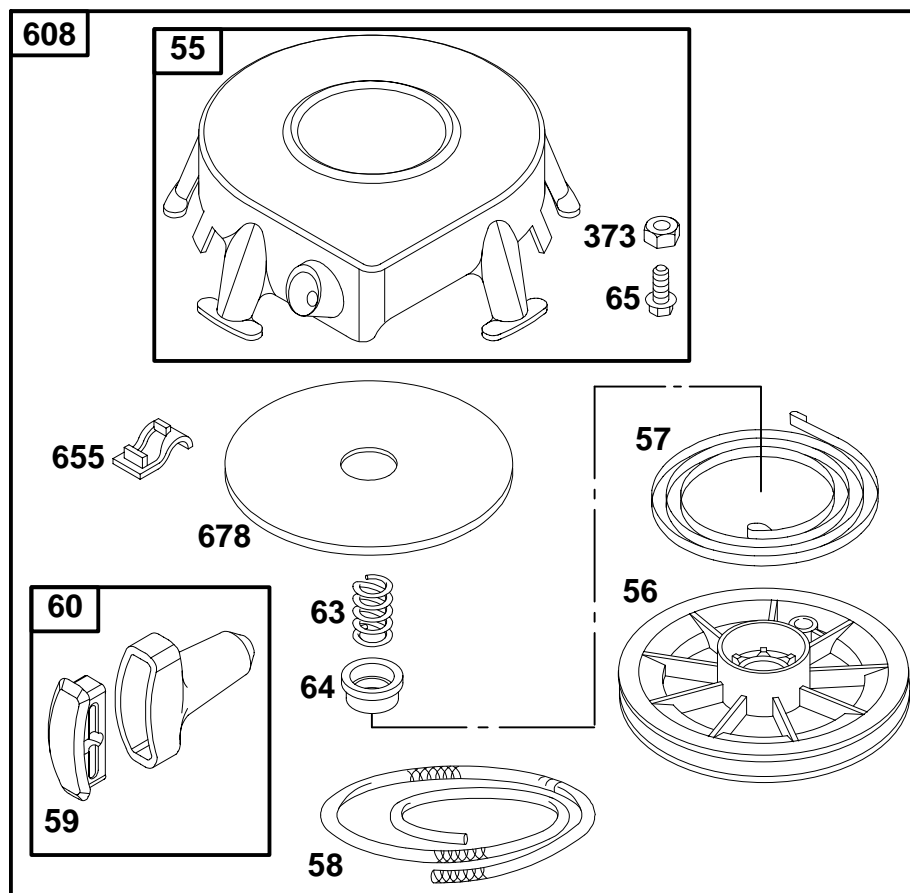


REF. NO.	PART NO.	DESCRIPTION	REF. NO.	PART NO.	DESCRIPTION	REF. NO.	PART NO.	DESCRIPTION
23	498896	Flywheel	73	224874	Screen-Rotating	325	280457	Pulley-Rope Starter
23A	498911	Flywheel (Used After Code Date 96062300). Note _____ 391988 Flywheel (Used Before Code Date 96062400).	75A	224061	Washer-Flywheel	347	495098	Switch-Rocker
24	222698	Key-Flywheel	78	94811	Screw (Flywheel Guard)	363	19203	Flywheel Puller
37	224886	Guard Flywheel Note _____ 224871 Guard-Flywheel Used on Type No(s). 0036, 0101, 0103, 0111, 1101.	215	221760	Guide-Air	594	94928	Screw (Rope Starter Pulley)
			304	497474	Housing-Blower Note _____ 497591 Housing-Blower Used on Type No(s). 0006, 0110, 1006.	668	225124	Spacer
			305	94786	Screw (Blower Housing)	726	392134	Gear-Ring
						727	395405	Cover-Starter Drive
						732	94625	Screw (Starter Drive Cover)

★ Included in Gasket Set-Ref. No.358.
● Included in Carburetor Kit-Ref. No. 121.

◆ Included in Carburetor Gasket Set-Ref. No. 977.
⊗ Included in Valve Overhaul Gasket Set-Ref. No. 1095.

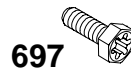
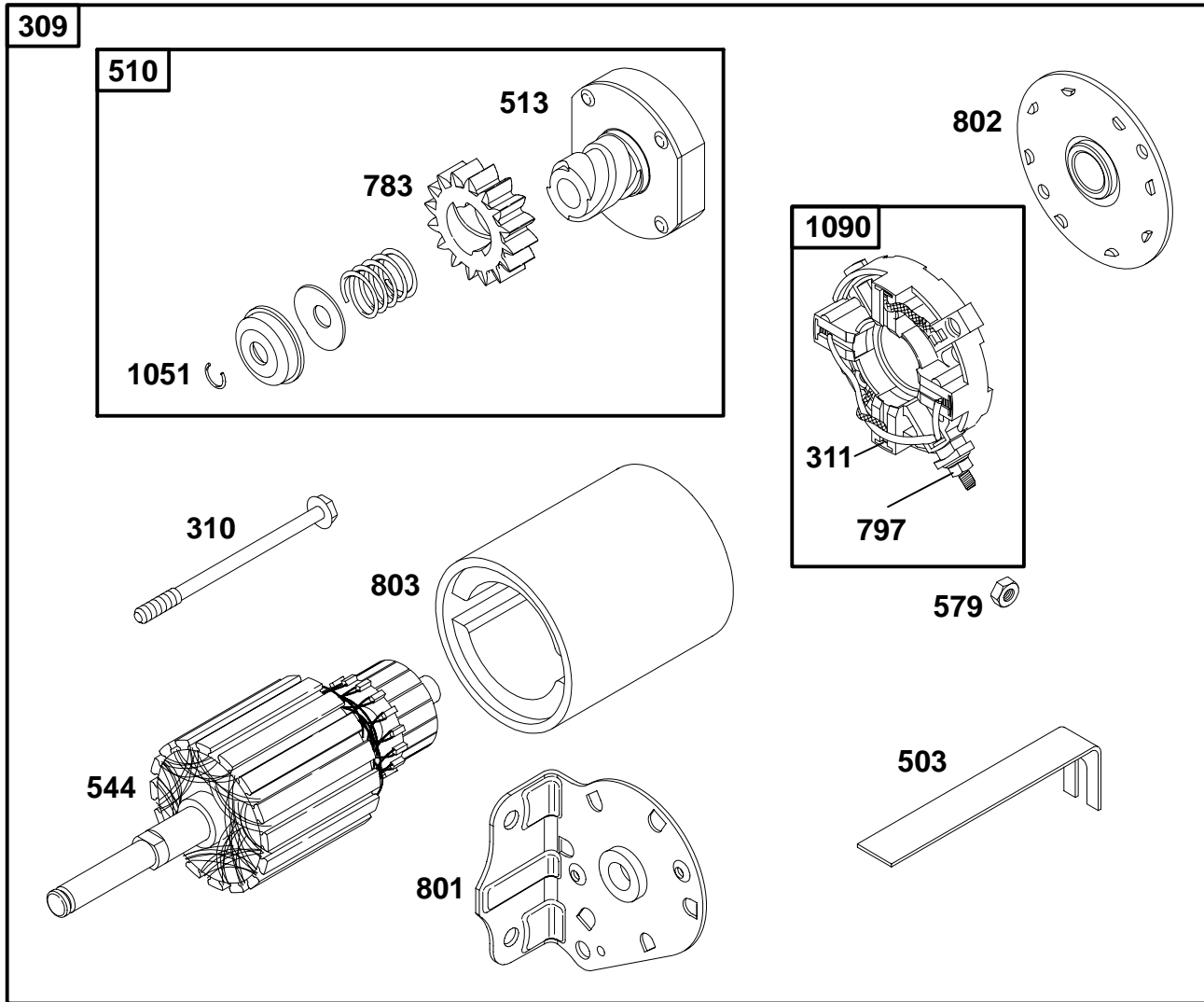
226400 to 226499



REF. NO.	PART NO.	DESCRIPTION	REF. NO.	PART NO.	DESCRIPTION	REF. NO.	PART NO.	DESCRIPTION
55	393576	Housing—Rewind Starter	63	260414	Spring—Ratchet	274	94680	Screw (Starter Clutch)
56	295871	Pulley—Starter	64	281204	Adapter—Spring	373	92987	Nut (Starter Housing)
57	490179	Spring—Rewind Starter	65	94686	Screw (Starter Housing)	608	390391	Starter—Rewind
58	66884	Rope—Starter (Cut to Required Length)	66	399671	Clutch—Starter	655	222598	Anchor—Rewind Spring
59	490653	Insert—Grip	67	394897	Housing—Clutch	678	490817	Spacer—Rewind
60	490652	Grip—Starter Rope	68	63770	Ball—Clutch	930	280685	Guard—Rewind
			70	298799	Ratchet—Clutch			
			71	394506	Cover—Ratchet			

★ Included in Gasket Set—Ref. No.358.
● Included in Carburetor Kit—Ref. No. 121.

◆ Included in Carburetor Gasket Set—Ref. No. 977.
⊘ Included in Valve Overhaul Gasket Set—Ref. No. 1095.

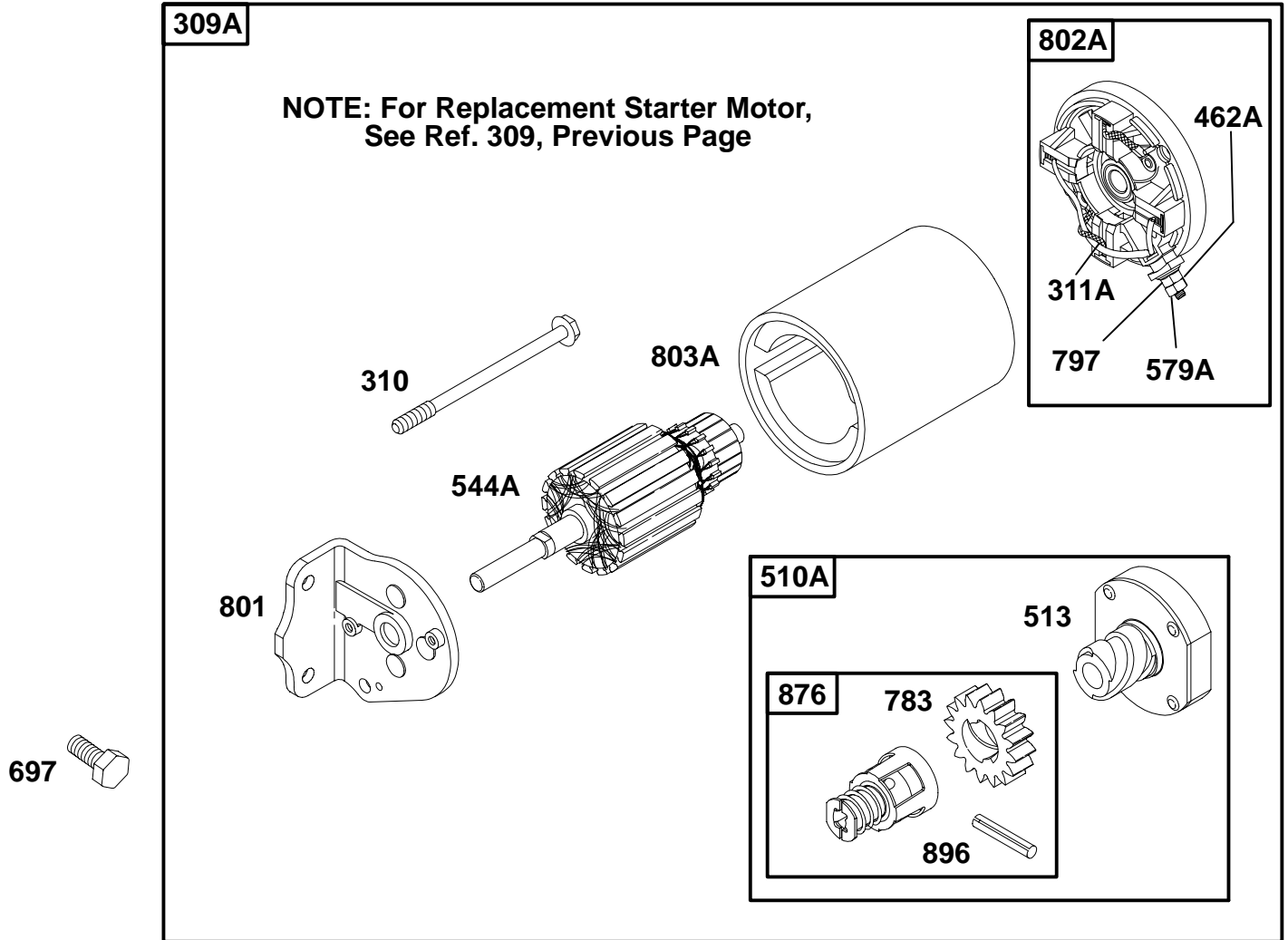


REF. NO.	PART NO.	DESCRIPTION	REF. NO.	PART NO.	DESCRIPTION	REF. NO.	PART NO.	DESCRIPTION
309	693054	Motor-Starter	579	92278	Nut (Starter Cable)	801	394856	Cap-Drive
310	94003	Bolt (Starter Motor)	697	94773	Screw (Drive Cap)	802	497607	Cap-End
311	497608	Brush Set	783	693059	Gear-Pinion	803	497604	Housing-Starter
503	806000	Strap-Starter	797	693167	Nut (Brush Retainer)	1051	263080	Ring-Retaining
510	497606	Drive-Starter				1090	497605	Retainer-Brush
513	398003	Clutch-Drive						
544	497603	Armature-Starter						

★ Included in Gasket Set-Ref. No.358.
● Included in Carburetor Kit-Ref. No. 121.

◆ Included in Carburetor Gasket Set-Ref. No. 977.
⊘ Included in Valve Overhaul Gasket Set-Ref. No. 1095.

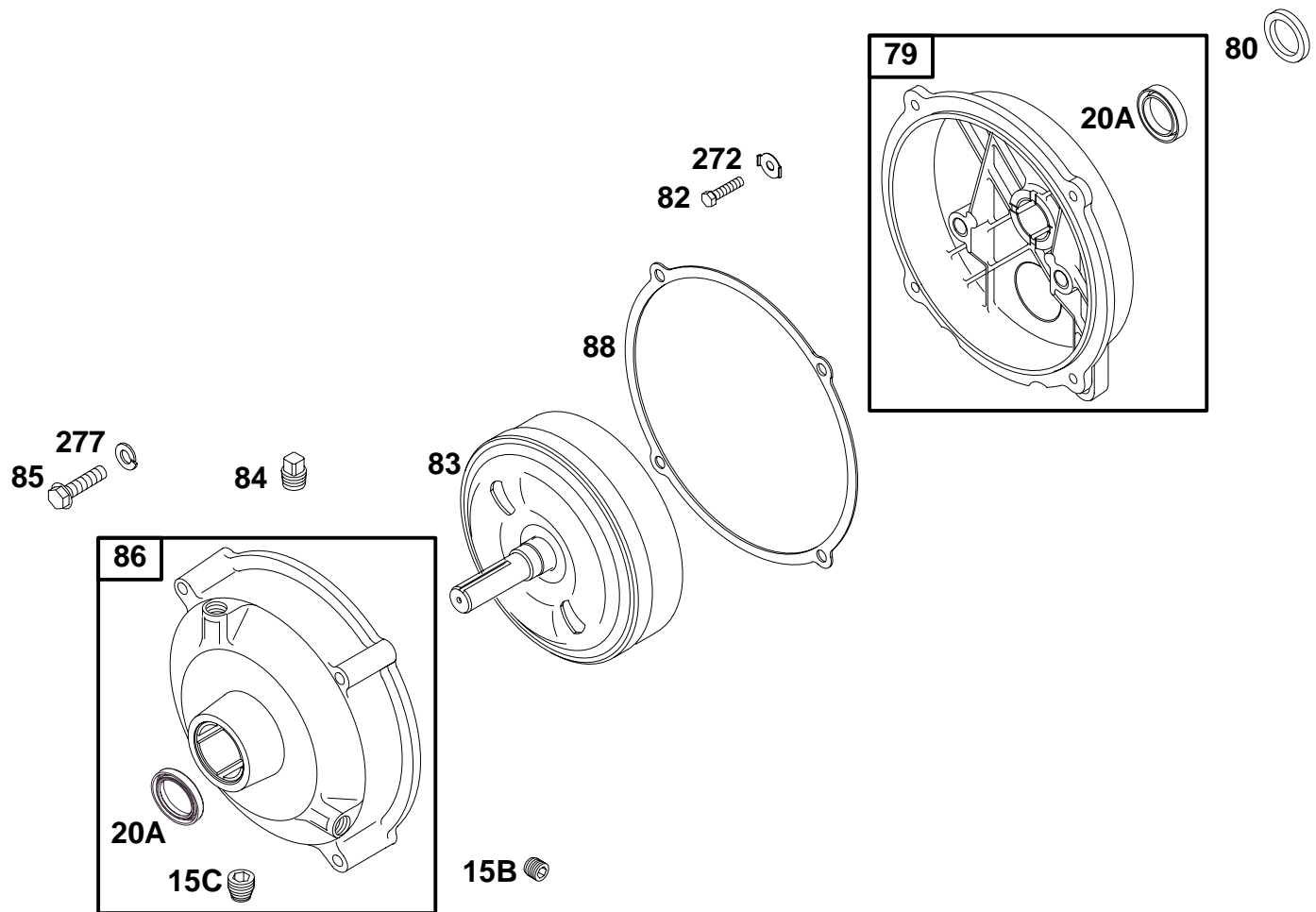
226400 to 226499



REF. NO.	PART NO.	DESCRIPTION	REF. NO.	PART NO.	DESCRIPTION	REF. NO.	PART NO.	DESCRIPTION
309A		Motor-Starter (For Replacement Starter Motor, See Ref 309, Previous Page)	510A	495878	Drive-Starter	797	94010	Nut (Brush Retainer)
	310	94003 Bolt (Starter Motor)		513	398003 Clutch-Drive	801	394856	Cap-Drive
	311A	395538 Brush Set		544A	390837 Armature-Starter	802A	395537	Cap-End
	462A	90366 Washer (Starter Cable)		579A	93715 Nut (Starter Cable)	803A	398159	Housing-Starter
				697	94773 Screw (Drive Cap)	876	495877	Kit-Gear
				783	693059 Gear-Pinion	896	94288	Pin-Drive Retainer

★ Included in Gasket Set-Ref. No.358.
● Included in Carburetor Kit-Ref. No. 121.

◆ Included in Carburetor Gasket Set-Ref. No. 977.
⊘ Included in Valve Overhaul Gasket Set-Ref. No. 1095.

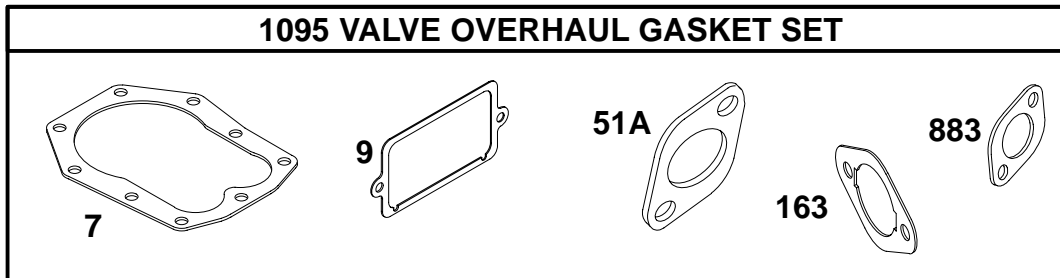
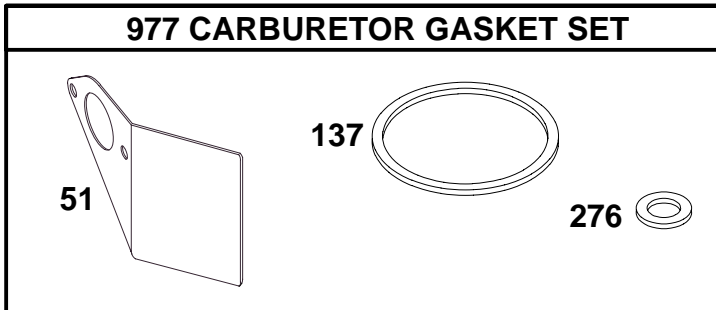
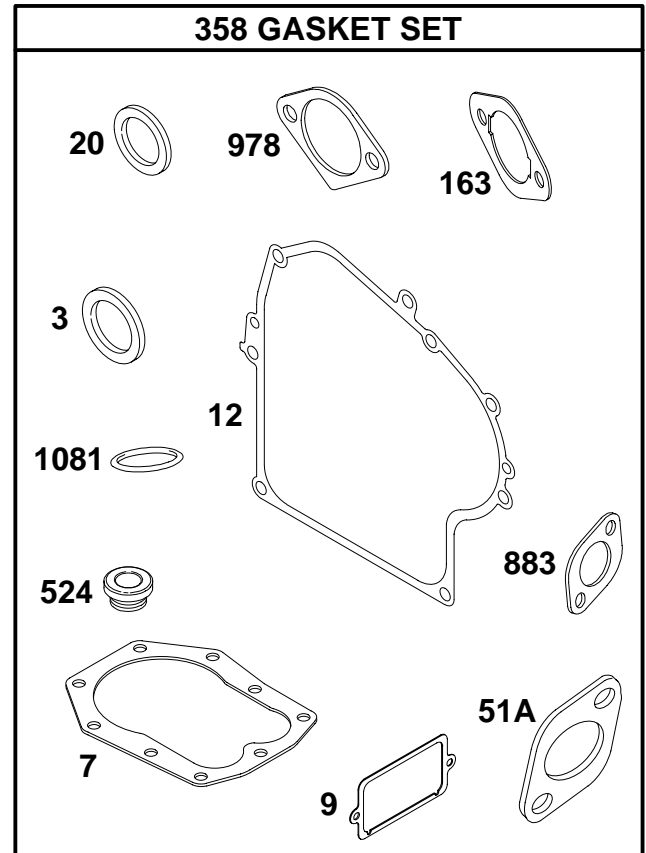
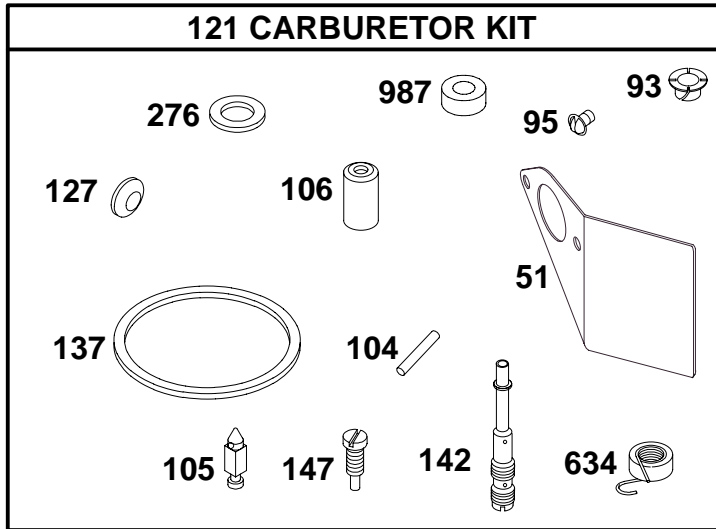


REF. NO.	PART NO.	DESCRIPTION	REF. NO.	PART NO.	DESCRIPTION	REF. NO.	PART NO.	DESCRIPTION
15B	94886	Plug—Oil Drain	83	495985	Shaft—Auxiliary Drive	88	27328	Gasket—Gear Cover
15C	91488	Plug—Oil Drain	84	94918	Plug—Breather	272	220234	Lock—Screw Head
20A	★391086	Seal—Oil	85	91386	Screw	277	90366	Washer
79	296179	Case—Reduction Gear			(Gear Cover to Reduction Gear)			(Gear Cover to Reduction Gear)
80	27884	Gasket—Gear Case	86	296053	Cover Assembly—Gear			
82	92502	Screw (Reduction Gear Case)						

★ Included in Gasket Set—Ref. No.358.
● Included in Carburetor Kit—Ref. No. 121.

◆ Included in Carburetor Gasket Set—Ref. No. 977.
⌀ Included in Valve Overhaul Gasket Set—Ref. No. 1095.

226400 to 226499



REF. NO.	PART NO.	DESCRIPTION	REF. NO.	PART NO.	DESCRIPTION	REF. NO.	PART NO.	DESCRIPTION
3	★391086	Seal—Oil	93	●281346	Bushing—Throttle Shaft	163	∅★272706	Gasket—Air Cleaner
7	∅★271866	Gasket—Cylinder Head	95	●94098	Screw—Round Head	276	●★281164	Washer—Seal
9	∅★27803	Gasket—Breather	104	●231789	Pin—Float Hinge	358	497511	Gasket Set
12	★272125	Gasket—Crankcase (.015" Thick)	105	●231935	Valve—Needle	524	★281370	Seal—Fill Tube
		Note _____	106	●231856	Seat—Inlet	634	●494455	Seal—Spring Assembly
		★272219 Gasket—Crankcase (.005" Thick)	121	497450	Carburetor Kit	883	∅★272293	Gasket—Exhaust
		★272220 Gasket—Crankcase (.009" Thick)	127	●	Plug—Welch (Sold in Kit Only)	977	497069	Gasket Set—Carburetor
20	★291675	Seal—Oil	137	●★281165	Gasket—Float Bowl	978	★271736	Gasket—OIL GARD®
51	●★272708	Gasket—Intake	142	●497448	Nozzle—Carburetor (Standard) (Used on LMT 101)	987	●281166	Seal—Throttle Shaft
51A	∅★272707	Gasket—Intake	147	●497472	Jet—Pilot (Used on LMT 101)	1081	★271170	Seal—O-Ring
						1095	498538	Gasket Set—Valve Overhaul

★ Included in Gasket Set—Ref. No. 358.
● Included in Carburetor Kit—Ref. No. 121.

◆ Included in Carburetor Gasket Set—Ref. No. 977.
∅ Included in Valve Overhaul Gasket Set—Ref. No. 1095.