



Illustrated Parts List

Model Series

21C200

TYPE NUMBERS
0110 thru 0553.

TABLE OF CONTENTS

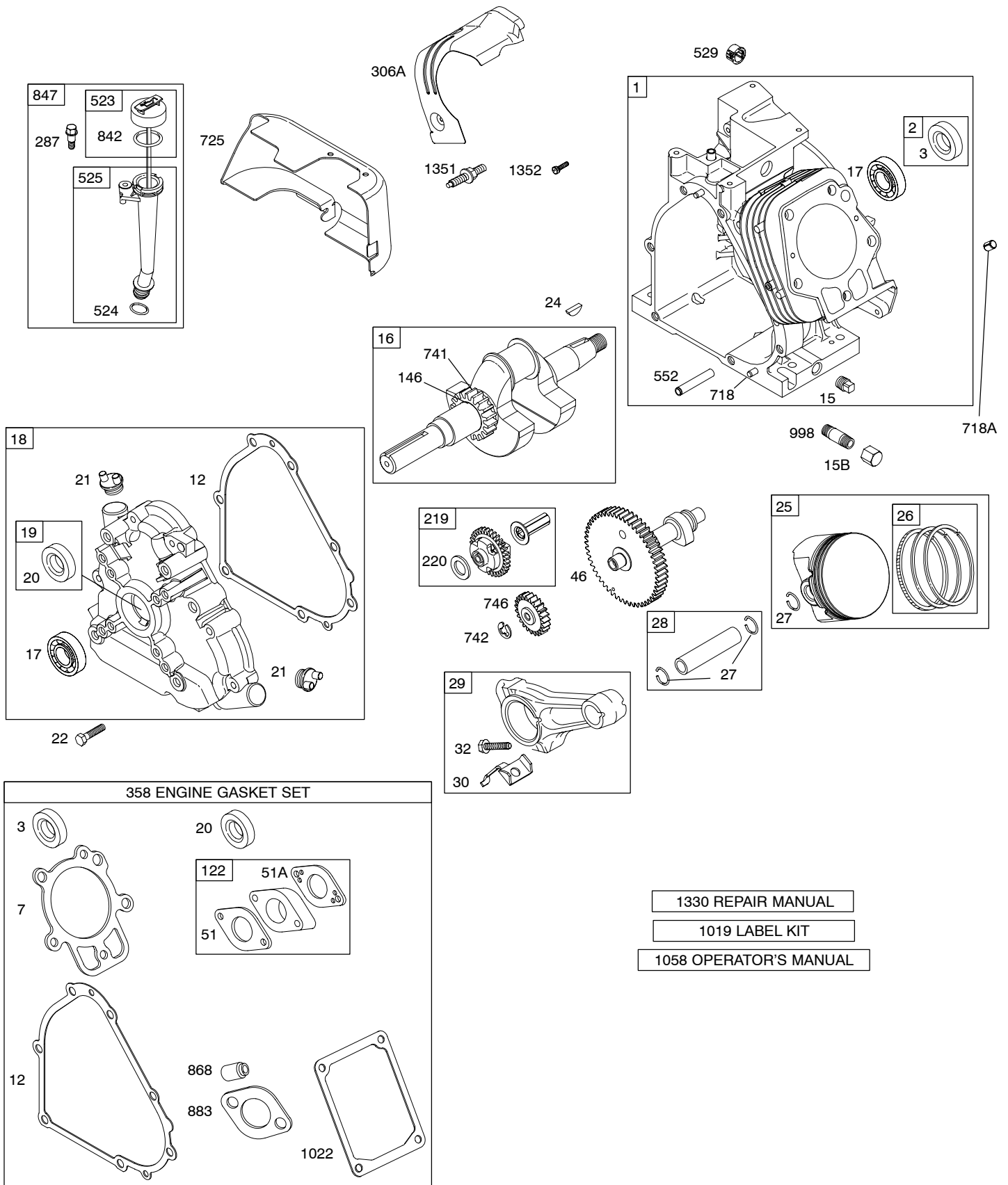
Alternator	7
Blower Housing/Shrouds	5
Camshaft	2
Carburetor	4
Controls	6
Crankcase Cover	2
Crankshaft	2
Cylinder	2
Cylinder Head	3
Electric Starter	7
Exhaust System	5
Flywheel	5
Fuel Supply	7
Governor Spring	6
Ignition	7
Kit/Gasket Sets - Carburetor	4
Kit/Gasket Sets - Engine	2
Kit/Gasket Sets - Valves	3
Lubrication	2
Piston Group	2
Rewind Starter	5
Valves	3

PRINTED IN U.S.A.



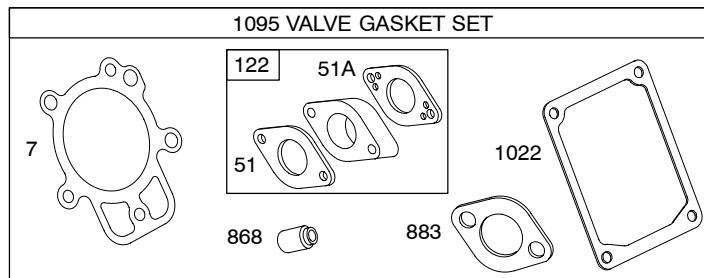
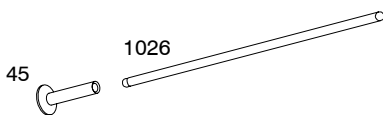
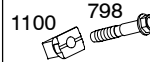
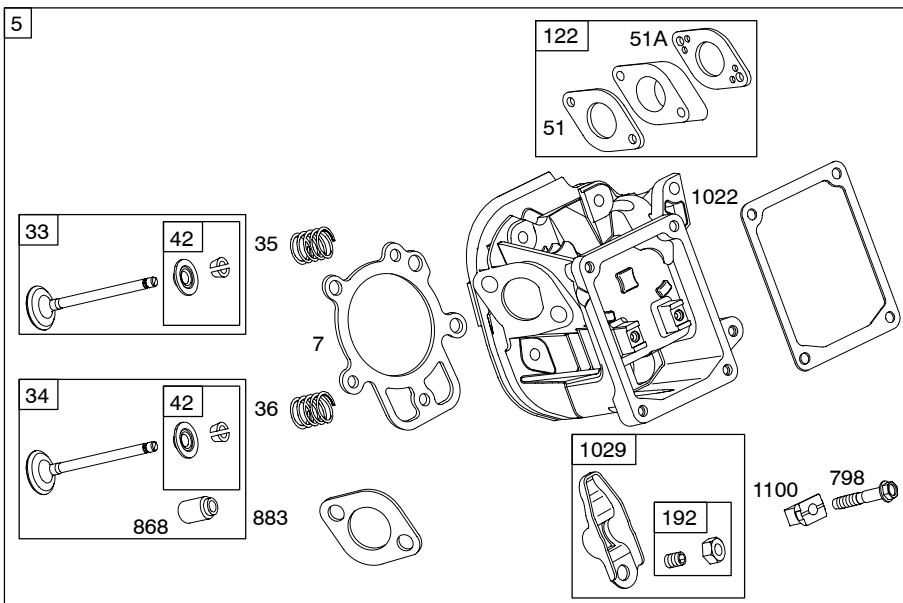
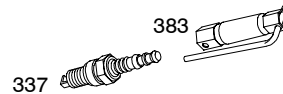
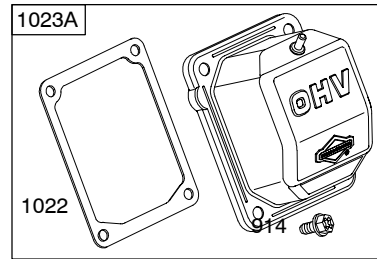
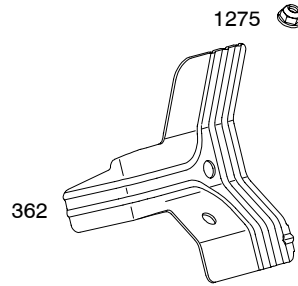
COPYRIGHT by BRIGGS & STRATTON CORPORATION
All rights reserved. No part of this material may be reproduced or transmitted, in any form or by any means, electronic or mechanical, including photocopying, recording or by any information storage and retrieval system, without permission in writing from Briggs & Stratton Corporation.

21C200



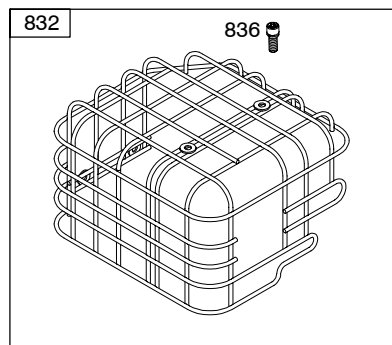
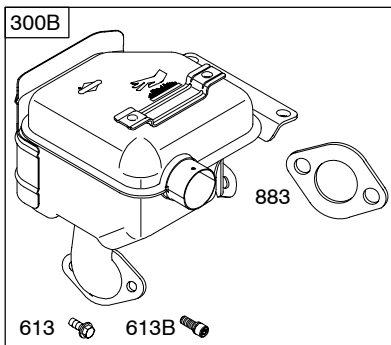
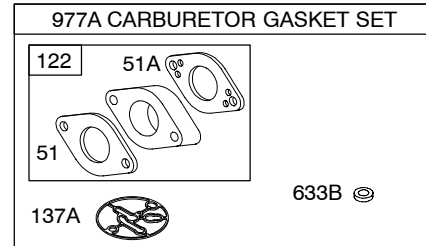
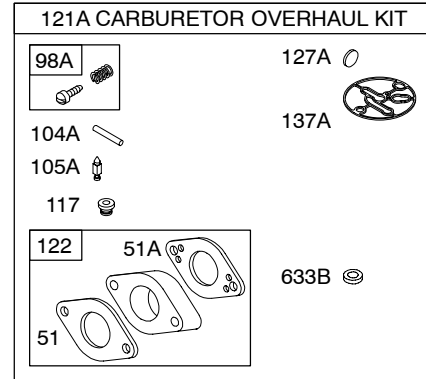
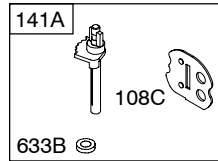
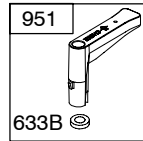
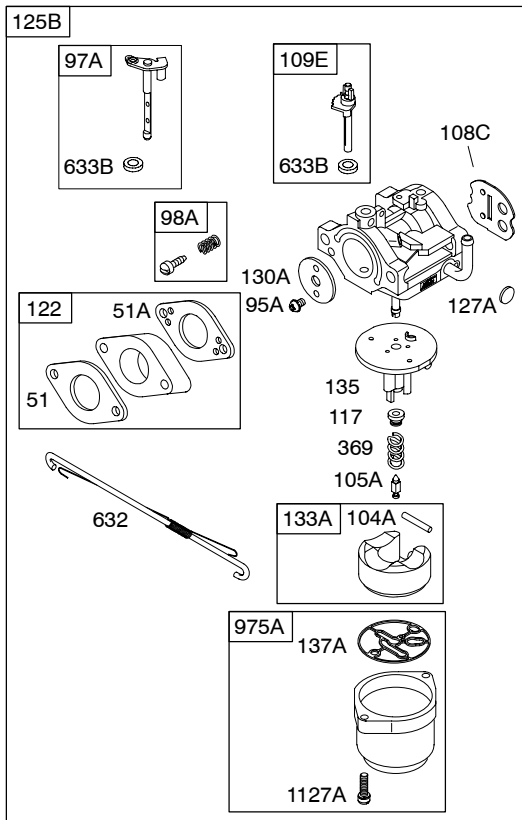
- 1330 REPAIR MANUAL
- 1019 LABEL KIT
- 1058 OPERATOR'S MANUAL

Illustrations cover a range of engines. Parts shown without corresponding text are not used on this engine.
 3392-2 Assemblies include all parts shown in frames. 09/07/2005

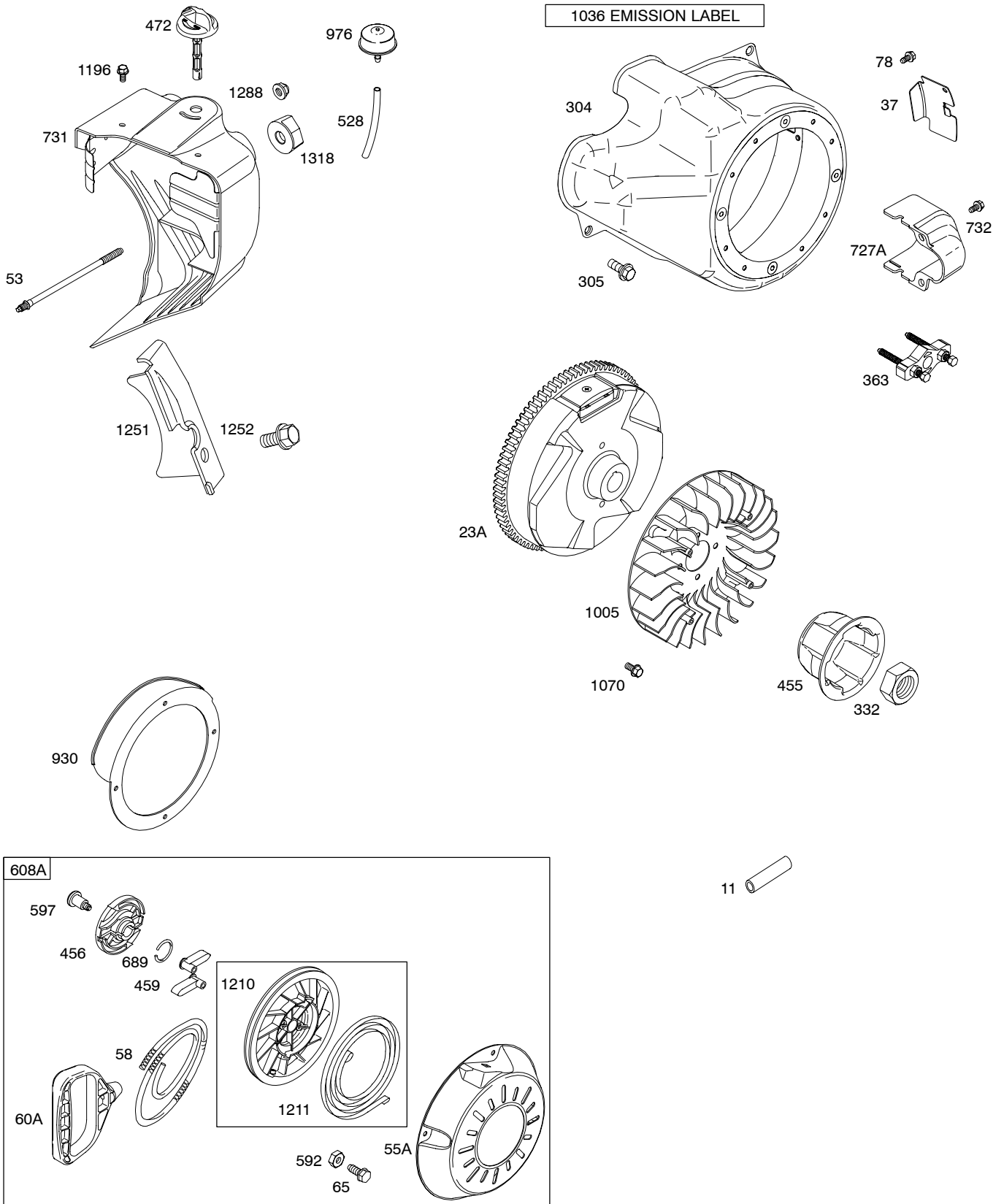


Illustrations cover a range of engines. Parts shown without corresponding text are not used on this engine.

21C200

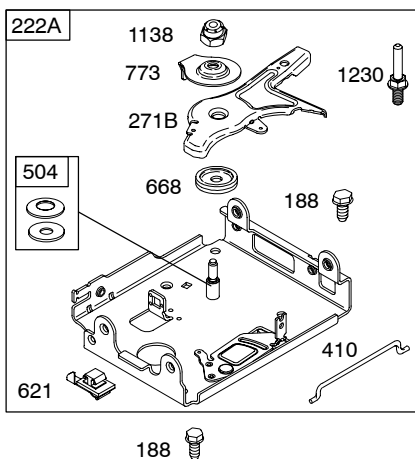
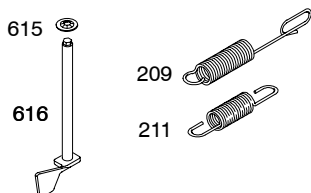
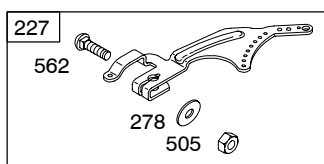
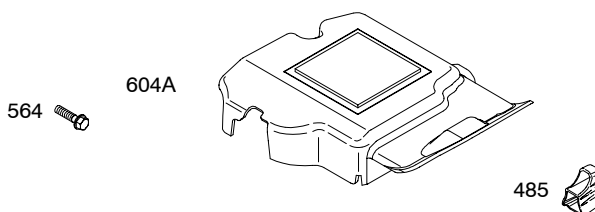
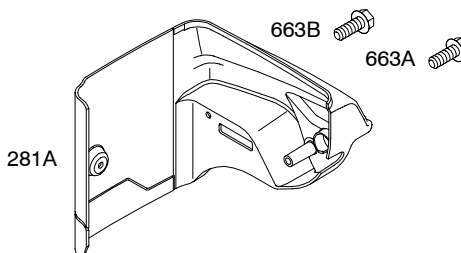
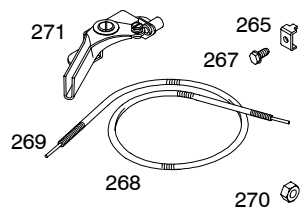


Illustrations cover a range of engines. Parts shown without corresponding text are not used on this engine.

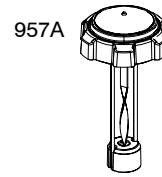
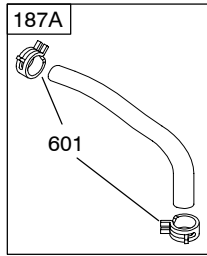
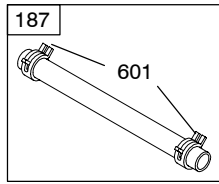
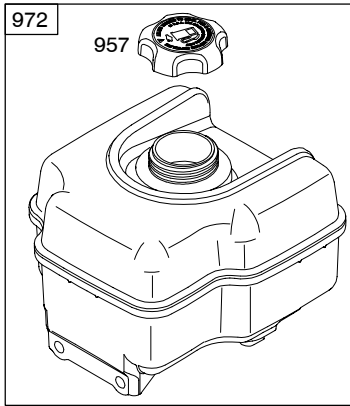


Illustrations cover a range of engines. Parts shown without corresponding text are not used on this engine.

21C200



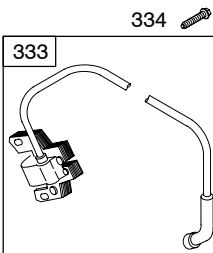
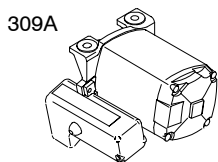
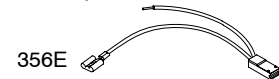
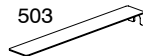
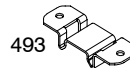
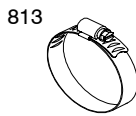
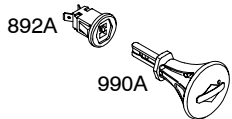
Illustrations cover a range of engines. Parts shown without corresponding text are not used on this engine.



DC ONLY	DUAL CIRCUIT	DUAL CIRCUIT
<div style="border: 1px solid black; padding: 2px;">474A</div>	<div style="border: 1px solid black; padding: 2px;">474H</div>	<div style="border: 1px solid black; padding: 2px;">474B</div>

NOTE: All stators use a No. 1119 mounting screw.

NOTE: The proper flywheel part number and/or the alternator magnet size will determine the alternator type or output. See repair instruction manual for additional information.



Illustrations cover a range of engines. Parts shown without corresponding text are not used on this engine.

21C200

REF. NO.	PART NO.	DESCRIPTION	REF. NO.	PART NO.	DESCRIPTION	REF. NO.	PART NO.	DESCRIPTION
1	697702	Cylinder Assembly	33	499596	Valve-Exhaust	135	696142	Tube-Fuel Transfer
2	698340	Kit-Bushing/Seal (Magneto Side)	34	697464	Valve-Intake	137A	◆◆695426	Gasket-Float Bowl
3	★391086	Seal-Oil (Magneto Side)	35	694865	Spring-Valve (Intake)	141A	699979	Kit-Choke Shaft
5	697233	Head-Cylinder	36	694865	Spring-Valve (Exhaust)	146	690979	Key-Timing
7	★△697690	Gasket-Cylinder Head	37	699047	Guard-Flywheel	187	791666	Line-Fuel (Cut To Required Length)
11	696750	Tube-Breather	42	499586	Keeper-Valve	187A	791869	Line-Fuel ----- Note -----
12	★694953	Gasket-Crankcase	45	262607	Tappet-Valve			791879 Line-Fuel Used on Type No(s). 0351, 0357.
13	690360	Screw (Cylinder Head)	46	790496	Camshaft	188	690877	Screw (Control Bracket)
15	691686	Plug-Oil Drain (Square Head)	51A	◆★△694875	Gasket-Intake	190	692127	Screw (Fuel Tank)
15B	695757	Plug-Oil Drain	53	696753	Stud (Carburetor)	192	690083	Adjuster-Rocker Arm
16	696412	Crankshaft	55A	696710	Housing-Rewind Starter	209	694867	Spring-Governor
17	695434	Bearing-Ball	58	693389	Rope-Starter (Cut To Required Length)	211	695307	Spring-Governed Idle
18	696914	Cover-Crankcase	60A	695740	Grip-Starter Rope	219	693578	Gear-Governor
19	698340	Kit-Bushing/Seal (PTO Side)	65	697725	Screw (Rewind Starter)	220	691724	Washer (Governor Gear)
20	★391086	Seal-Oil (PTO Side)	78	695724	Screw (Flywheel Guard)	222A	698034	Bracket-Control Used on Type No(s). 0110, 0131.
21	281658	Cap-Oil Fill	95A	690718	Screw (Throttle Valve)	227	694864	Lever-Governor Control
22	695174	Screw (Crankcase Cover/Sump)	97A	696387	Shaft-Throttle	265	691024	Clamp-Casing
23A	695485	Flywheel	98A	◆695408	Kit-Idle Speed	267	692577	Screw (Casing Clamp)
24	222698	Key-Flywheel	104A	◆694918	Pin-Float Hinge	268	691025	Casing-Control Wire (Cut To Required Length)
25	697693	Piston Assembly (Standard) ----- Note -----	105A	◆696136	Valve-Float Needle	269	691026	Wire-Control (Cut To Required Length)
	697695	Piston Assembly (.020" Oversize)	108C	696736	Valve-Choke	270	691027	Nut (Control Wire Casing)
26	697692	Ring Set (Standard) ----- Note -----	109E	696735	Shaft-Choke	271	698035	Lever-Control
	697698	Ring Set (.020" Oversize)	117	◆696134	Jet-Main (Standard)	271B	695381	Lever-Control
27	690975	Lock-Piston Pin	118	696135	Jet-Main (High Altitude)	278	792008	Washer (Governor Control Lever)
28	696581	Pin-Piston	121A	696146	Kit-Carburetor Overhaul (Nikki Carburetor)	281A	697400	Panel-Control ----- Note -----
29	694691	Rod-Connecting	122	◆★△694876	Spacer-Carburetor			698081 Panel-Control Used on Type No(s). 0351, 0357.
30	694692	Dipper-Connecting Rod	125B	791440	Carburetor			
32	690976	Screw (Connecting Rod)	127A	◆690727	Plug-Welch			
			130A	696139	Valve-Throttle			
			133A	694914	Float-Carburetor			

★ Included in Engine Gasket Set-Ref. No.358.

● Included in Carburetor Overhaul Kit-Ref. No. 121.

◆ Included in Carburetor Gasket Set-Ref. No. 977.

△ Included in Valve Gasket Set-Ref. No 1095.

Illustrations cover a range of engines. Parts shown without corresponding text may not be used on your specific engine.

21C200

REF. NO.	PART NO.	DESCRIPTION	REF. NO.	PART NO.	DESCRIPTION	REF. NO.	PART NO.	DESCRIPTION
287	691693	Screw (Dipstick Tube)	485	695755	Knob-Control	718	690959	Pin-Locating
300B	699222	Muffler	493	691177	Bracket-Mounting	718A	695178	Pin-Locating
304	697469	Housing-Blower	501	698315	Regulator	725	696756	Shield-Heat
305	691108	Screw (Blower Housing)	503	698318	Strap-Starter	727A	697465	Cover-Starter Drive
306A	697240	Shield-Cylinder	504	695383	Washer Set-Friction	731	790222	Hood-Snow
309A	698311	Motor-Starter Used on Type No(s). 0110.	505	691251	Nut (Governor Control Lever)	732	691097	Screw (Starter Drive Cover)
		----- Note -----	523	695344	Dipstick	741	691288	Gear-Timing
		698112 Motor-Starter Used on Type No(s). 0357, 0530, 553.	524	691876	Seal-Dipstick Tube	742	692564	Retainer-E Ring
		698136 Motor-Starter Used on Type No(s). 0351.	525	695343	Tube-Dipstick	746	694679	Gear-Idler
		792157 Motor-Starter Used on Type No(s). 0131.	526	690297	Screw (Regulator)	773	694258	Retainer
318	690372	Screw (Mounting Bracket)	528	696751	Hose-Primer	798	697890	Screw (Rocker Arm)
332	694685	Nut (Flywheel)	529	791822	Grommet	813	690635	Clamp
333	715231	Armature-Magneto	552	694674	Bushing-Governor Crank	832	699223	Guard-Muffler
334	691061	Screw (Magneto Armature)	562	691119	Bolt (Governor Control Lever)	836	691003	Screw (Muffler Guard)
337	491055	Plug-Spark ----- Note -----	564	696692	Screw (Control Cover)	842	691031	Seal-O Ring (Dipstick Tube)
		691043 Plug-Spark Used on Type No(s). 0131.	578	692306	Wire Assembly	847	695342	Dipstick/Tube Assembly
356C	698165	Wire-Stop	592	690800	Nut (Rewind Starter)	868	★△690968	Seal-Valve
356D	696748	Wire-Stop	597	691696	Screw (Pawl Friction Plate)	877	393537	Wire/Connector- Alternator
356E	696700	Wire-Stop	601	95162	Clamp-Hose	877A	692306	Wire/Connector- Alternator
358	695438	Gasket Set-Engine	604	696758	Cover-Control	878	691237	Wire/Connector- Alternator
362	698041	Shield-Spark Plug	608A	699335	Starter-Rewind	883	695398	Gasket-Exhaust
363	19069	Puller-Flywheel	613	695312	Screw (Muffler)	892A	696749	Switch-Key
369	695422	Spring-Float Bowl	613B	696705	Screw (Muffler)(TORX HEAD)	914	693732	Screw (Rocker Cover)
383	19374	Wrench-Spark Plug	615	694676	Retainer-Governor Shaft	930	696709	Guard-Rewind
410	695382	Link-Control	616	694675	Crank-Governor	951	699961	Lever-Choke
455	697226	Cup-Flywheel	621	692310	Switch-Stop	957	695737	Cap-Fuel Tank (Plastic) Used on Type No(s). 0110, 0131, 0553.
456	692299	Plate-Pawl Friction	632	695917	Spring/Link- Mechanical Governor (Use With Nikki Carburetor)	957A	698109	Cap-Fuel Tank. Used on Type No(s). 0351, 0357, 0530.
459	281505	Pawl-Ratchet	633B	◆690998	Seal-Choke/Throttle Shaft			
472	696752	Knob-Choke Shaft	635	710901	Boot-Spark Plug (Control Panel)			
474A	695730	Alternator Used on Type No(s). 0530, 553.	668	694257	Spacer (Control Bracket)			
474B	698314	Alternator (Dual Circuit) Used on Type No(s). 0110, 0131.	689	691855	Spring-Friction			
474H	698230	Alternator (Dual Circuit) Used on Type No(s). 0351, 0357.	703	698320	Clip Used on Type No(s). 0110, 0131.			

★ Included in Engine Gasket Set-Ref. No.358.

● Included in Carburetor Overhaul Kit-Ref. No. 121.

◆ Included in Carburetor Gasket Set-Ref. No. 977.

△ Included in Valve Gasket Set-Ref. No 1095.

Illustrations cover a range of engines. Parts shown without corresponding text may not be used on your specific engine.

21C200

REF. NO.	PART NO.	DESCRIPTION	REF. NO.	PART NO.	DESCRIPTION	REF. NO.	PART NO.	DESCRIPTION
958	698180	Valve-Fuel Shut Off (Plastic)	1095	695440	Gasket Set-Valve	1211	498144	Pulley/Spring Assembly
972	695728	Tank-Fuel (Plastic)	1100	690973	Pivot-Rocker Arm			(Spring)
975A	696138	Bowl-Float	1119	691183	Screw (Alternator)	1230	696747	Stud (Control Bracket)
976	790221	Primer-Carburetor	1127A	695407	Screw (Float Bowl)	1251	696762	Shield-Snow
977A	◆696147	Gasket Set-Carburetor (Use With Nikki Carburetor)	1138	694255	Nut (Control Bracket)	1252	691108	Screw (Snow Shield)
990A	695756	Key Set	1148	698418	Screw (Clip)	1275	696757	Screw (Rocker Cover)
998	696683	Pipe-Oil			Used on Type No(s). 0110, 0131.	1288	696757	Nut (Snow Hood)
1005	694684	Fan-Flywheel	1171	696754	Stud (Rocker Cover)	1318	698111	Knob-Snow Hood
1009	698113	Screw (Starter Motor)	1196	699166	Screw (Snow Hood)	1330	272147	Repair Manual
1019	696745	Kit-Label	1210	498144	Pulley/Spring Assembly (Pulley)	1351	790017	Stud (Cylinder Shield)
1022	690971	Gasket-Rocker Cover				1352	790026	Nut (Spark Plug Shield)
1023A	698042	Cover-Rocker						
1026	695177	Rod-Push						
1029	690972	Arm-Rocker						
1036	790467	Label-Emissions						
1058	275697	Operator's Manual						
1070	791680	Screw (Flywheel Fan)						

★ Included in Engine Gasket Set-Ref. No.358.

● Included in Carburetor Overhaul Kit-Ref. No. 121.

◆ Included in Carburetor Gasket Set-Ref. No. 977.

△ Included in Valve Gasket Set-Ref. No 1095.

Illustrations cover a range of engines. Parts shown without corresponding text may not be used on your specific engine.