



# Illustrated Parts List

## Model Series

# 21C100

TYPE NUMBERS  
0345 Through 0538.

### TABLE OF CONTENTS

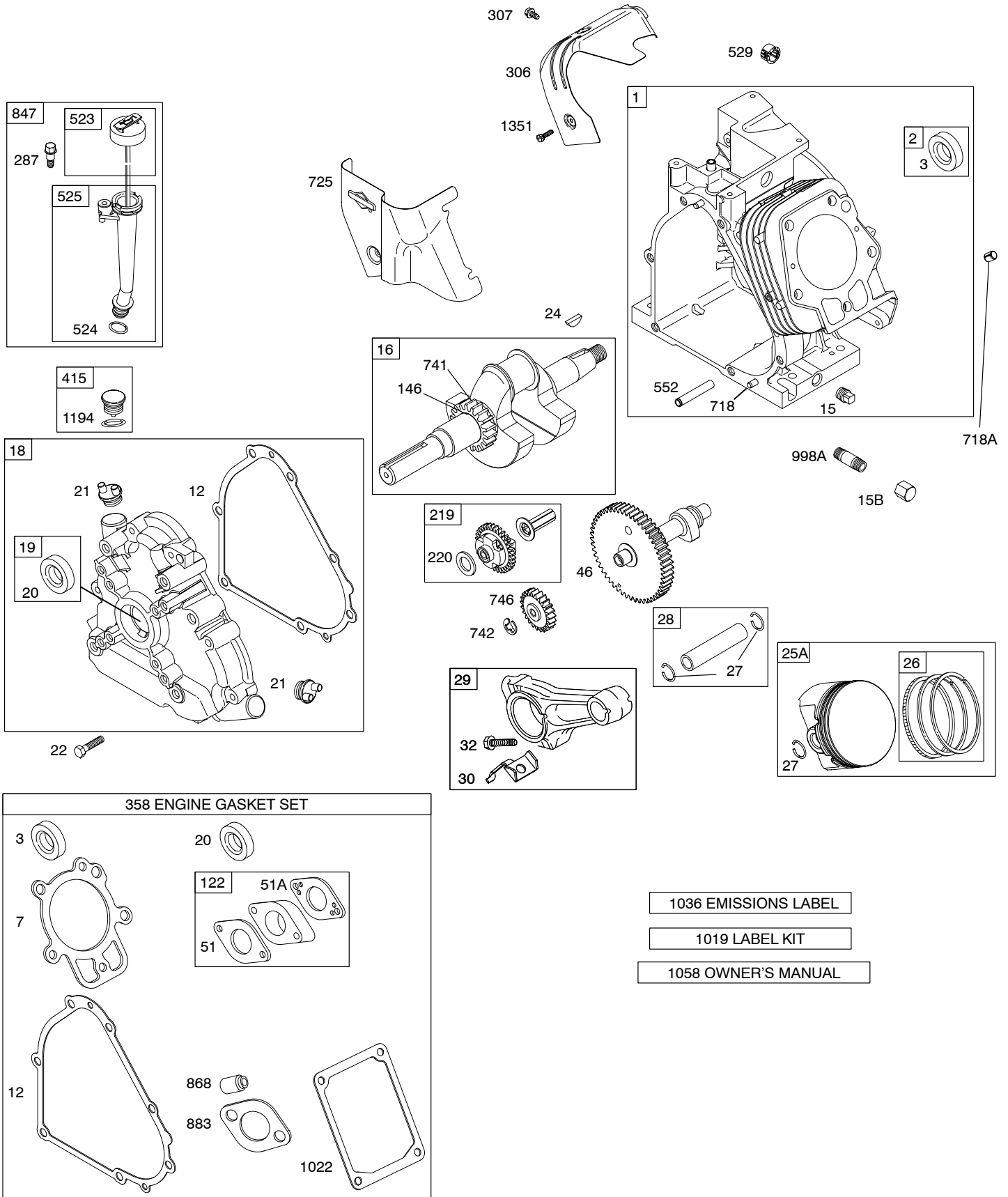
<b>Air Cleaner</b> .....	5
<b>Alternator</b> .....	8
<b>Blower Housing/Shrouds</b> .....	6
<b>Camshaft</b> .....	2
<b>Carburetor</b> .....	4
<b>Controls</b> .....	7
<b>Crankcase Cover</b> .....	2
<b>Crankshaft</b> .....	2
<b>Cylinder</b> .....	2
<b>Cylinder Head</b> .....	3
<b>Electric Starter</b> .....	8
<b>Exhaust System</b> .....	5
<b>Flywheel</b> .....	6
<b>Fuel Supply</b> .....	8
<b>Governor Spring</b> .....	7
<b>Ignition</b> .....	8
<b>Kit/Gasket Set - Carburetor</b> .....	4
<b>Kit/Gasket Set - Engine</b> .....	2
<b>Kit/Gasket Set - Valves</b> .....	3
<b>Lubrication</b> .....	2
<b>Piston, Rings, Connecting Rod</b> .....	2
<b>Rewind Starter</b> .....	6
<b>Valves</b> .....	3



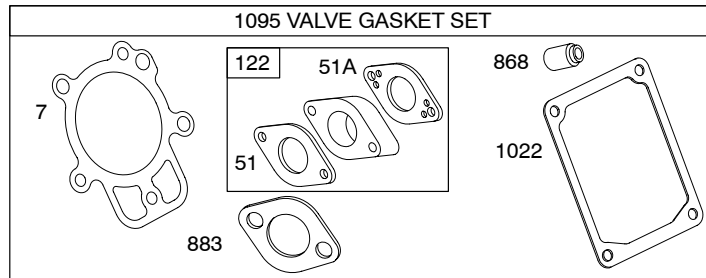
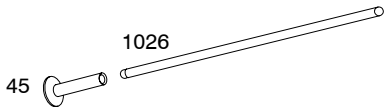
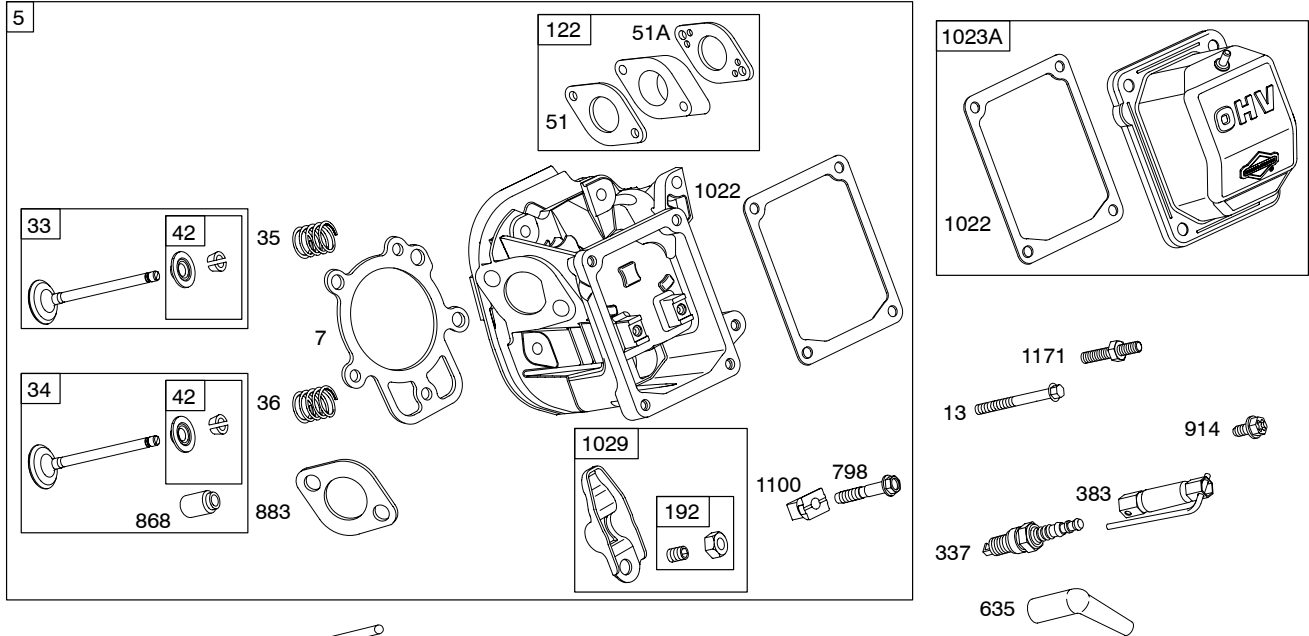
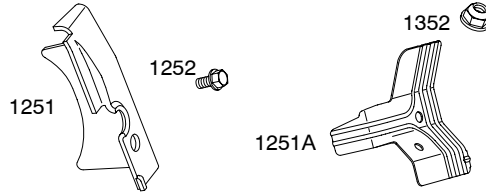
PRINTED IN U.S.A.

COPYRIGHT by BRIGGS & STRATTON CORPORATION  
All rights reserved. No part of this material may be reproduced or transmitted, in any form or by any means, electronic or mechanical, including photocopying, recording or by any information storage and retrieval system, without permission in writing from Briggs & Stratton Corporation.

# 21C100

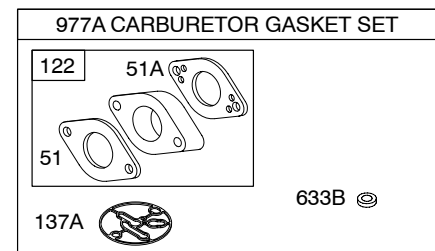
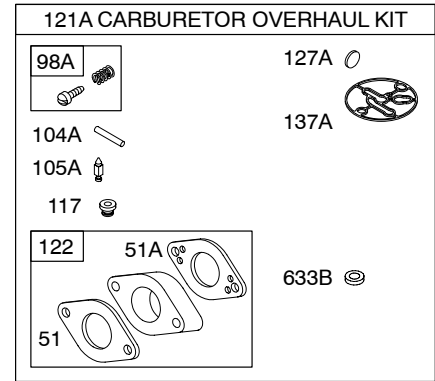
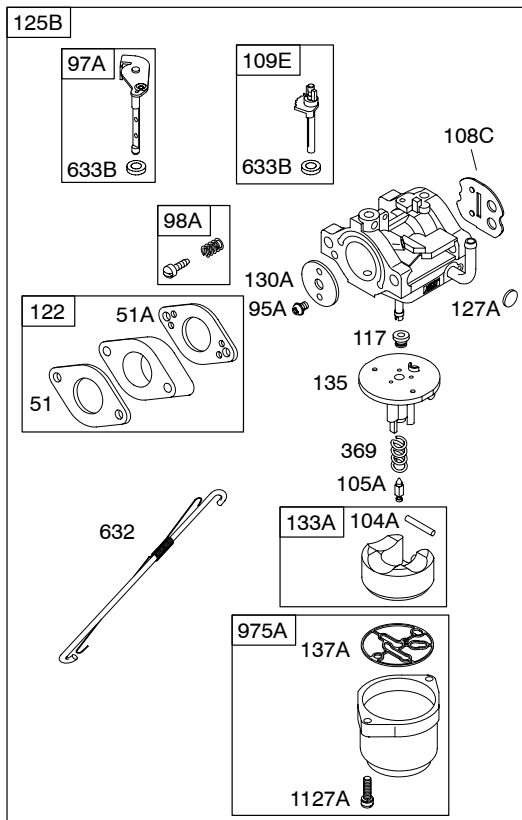


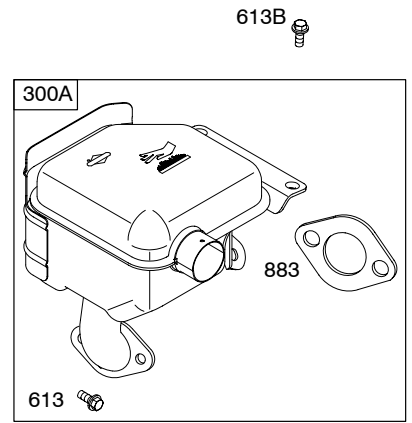
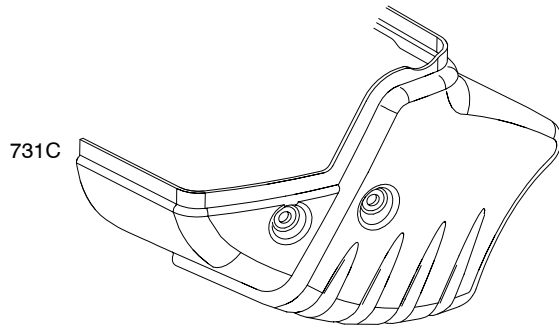
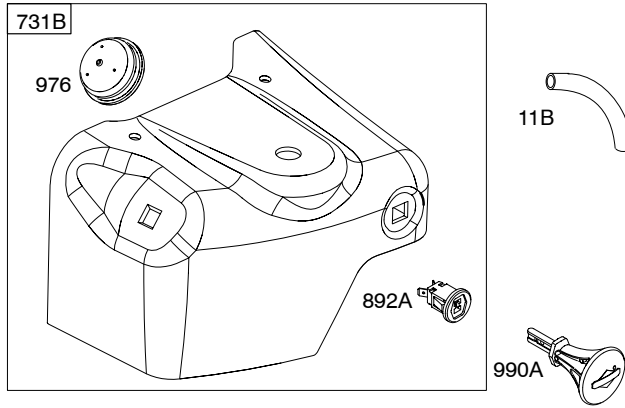
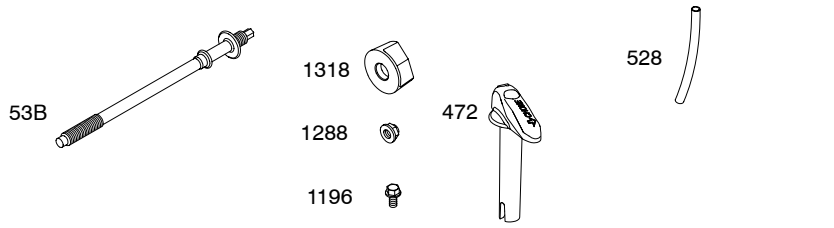
**Illustrations cover a range of engines. Parts shown without corresponding text are not used on this engine.**  
**6040-2** Assemblies include all parts shown in frames. **06/02/2005**



6040-3 *Illustrations cover a range of engines. Parts shown without corresponding text are not used on this engine.* Assemblies include all parts shown in frames. 06/02/2005

# 21C100

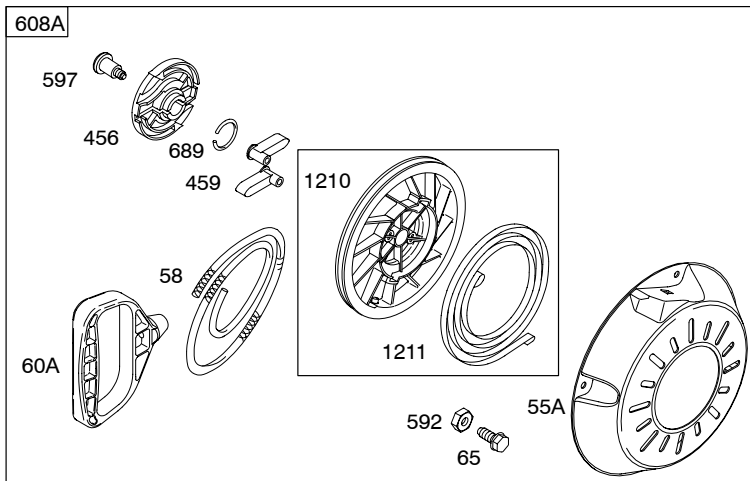
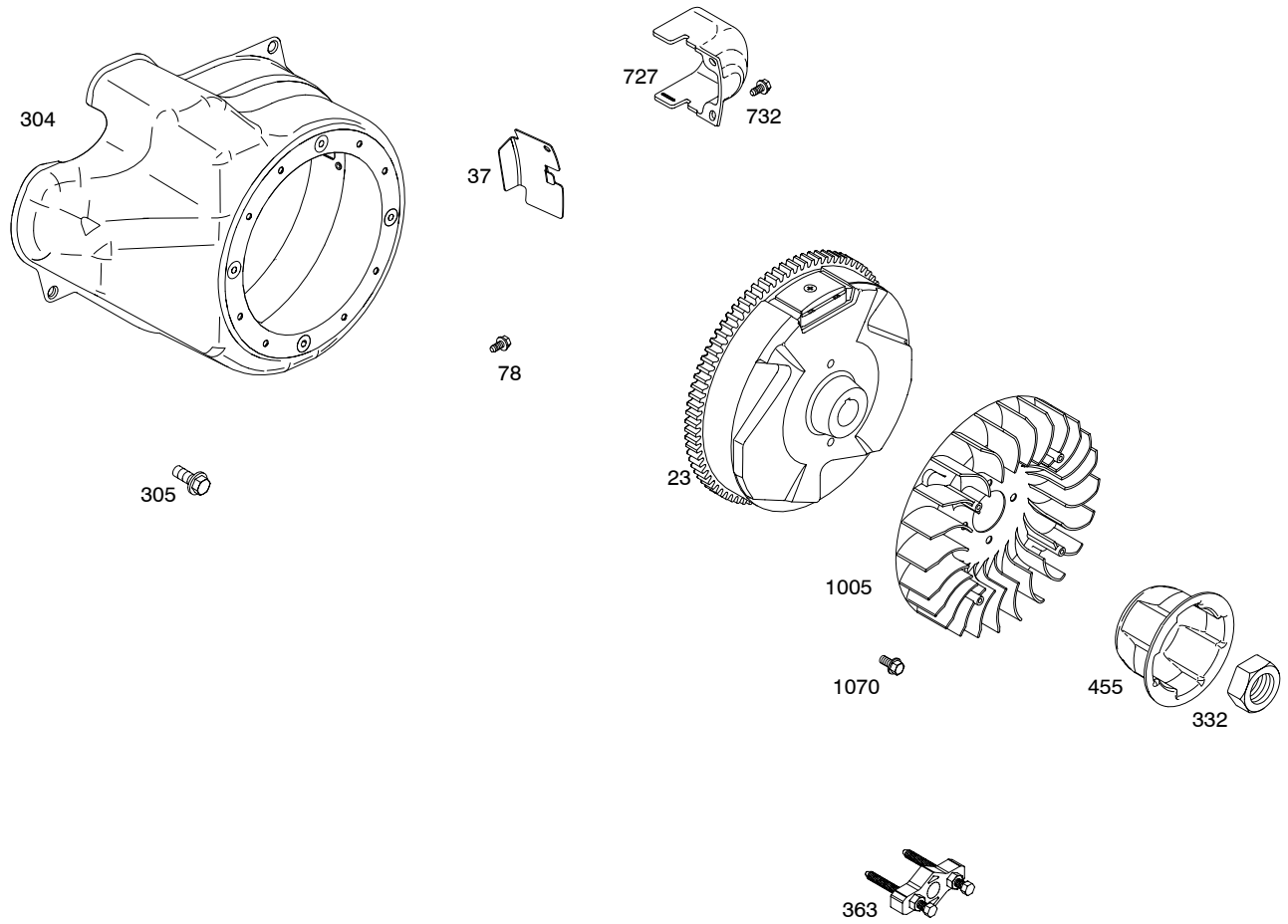




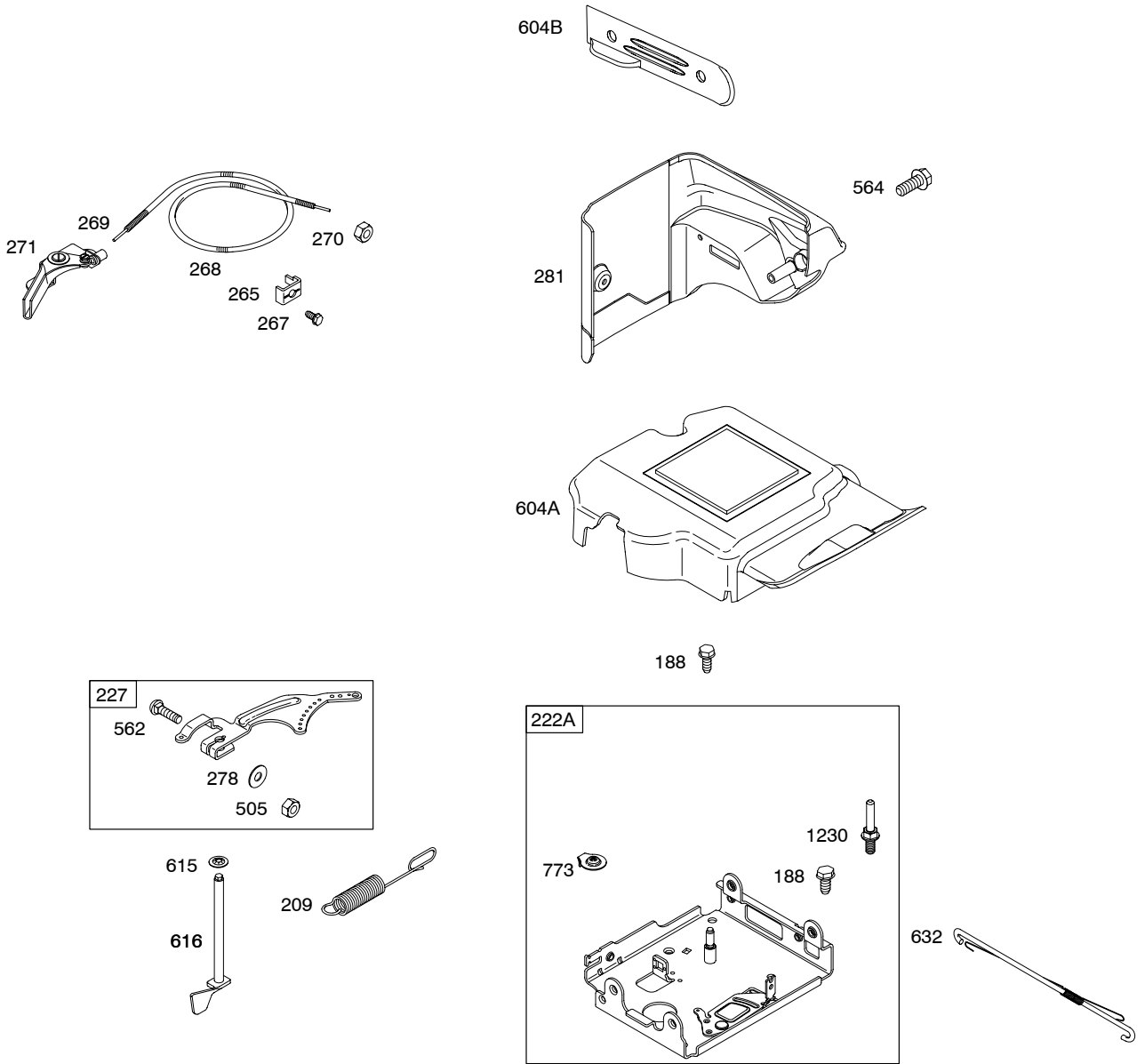
6040-5 *Illustrations cover a range of engines. Parts shown without corresponding text are not used on this engine.* Assemblies include all parts shown in frames. 06/02/2005

# 21C100

1036 EMISSION LABEL

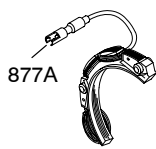

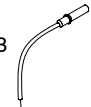


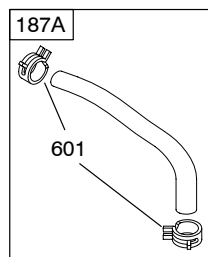
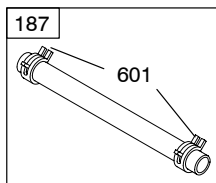
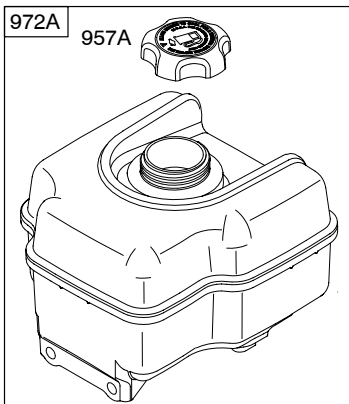
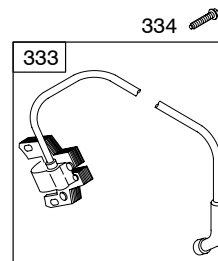
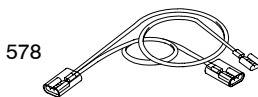
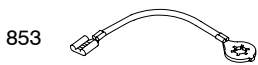
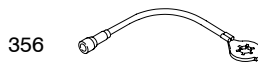
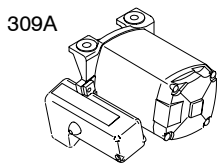
**Illustrations cover a range of engines. Parts shown without corresponding text are not used on this engine.**  
6040-6 Assemblies include all parts shown in frames. 06/02/2005



**Illustrations cover a range of engines. Parts shown without corresponding text are not used on this engine.**  
6040-7 Assemblies include all parts shown in frames. 06/02/2005

# 21C100

DC ONLY	
474A	
877A	
<p><b>NOTE:</b> All stators use a No. 1119 mounting screw. </p> <p><b>NOTE:</b> The proper flywheel part number and/or the alternator magnet size will determine the alternator type or output. See repair instruction manual for additional information.</p>	
<div style="display: flex; justify-content: space-between;"> <span>578</span>  </div>	



Illustrations cover a range of engines. Parts shown without corresponding text are not used on this engine.



**21C100**

REF. NO.	PART NO.	DESCRIPTION	REF. NO.	PART NO.	DESCRIPTION	REF. NO.	PART NO.	DESCRIPTION
1	697702	Cylinder Assembly	37	696701	Guard-Flywheel	187A	695429	Line-Fuel
2	698340	Kit-Bushing/Seal (Magneto Side)	42	499586	Keeper-Valve	----- <b>Note</b> -----		
3	★391086	Seal-Oil (Magneto Side)	45	690977	Tappet-Valve	698080 Line-Fuel		
5	697233	Head-Cylinder	46	790496	Camshaft	Used on Type No(s). 0345, 0370, 0538.		
7	★Δ694872	Gasket-Cylinder Head	51	★*Δ◆694874	Gasket-Intake	188	690877	Screw (Control Bracket)
11B	696750	Tube-Breather	51A	★*Δ◆694875	Gasket-Intake	190	692127	Screw (Fuel Tank)
12	★694953	Gasket-Crankcase	53B	696753	Stud (Carburetor)	192	690083	Adjuster-Rocker Arm
13	690360	Screw (Cylinder Head)	55A	696710	Housing-Rewind Starter	209	695491	Spring-Governor
15	691686	Plug-Oil Drain	58	693389	Rope-Starter (Cut To Required Length)	219	693578	Gear-Governor
15B	695757	Plug-Oil Drain	60A	695740	Grip-Starter Rope	220	691724	Washer (Governor Gear)
16	696412	Crankshaft	65	695453	Screw (Rewind Starter)	222A	694866	Bracket-Control
18	696914	Cover-Crankcase	78	695724	Screw (Flywheel Guard)	227	694864	Lever-Governor Control
19	698340	Kit-Bushing/Seal (PTO Side)	95A	690718	Screw (Throttle Valve)	265	691024	Clamp-Casing
20	★391086	Seal-Oil (PTO Side)	97A	696387	Shaft-Throttle	267	692577	Screw (Casing Clamp)
21	281658	Cap-Oil Fill	98A	◆695408	Kit-Idle Speed	268	691025	Casing-Control Wire (Cut To Required Length)
22	695174	Screw (Crankcase Cover/Sump)	104A	◆694918	Pin-Float Hinge	269	691026	Wire-Control (Cut To Required Length)
23	695485	Flywheel	105A	◆696136	Valve-Float Needle	270	691027	Nut (Control Wire Casing)
24	222698	Key-Flywheel	108C	696736	Valve-Choke	271	691028	Lever-Control
25A	697693	Piston Assembly (Standard)	109E	696735	Shaft-Choke	278	792008	Washer (Governor Lever)
----- <b>Note</b> -----			117	◆696134	Jet-Main (Standard)	281	697268	Panel-Control
697695 Piston Assembly (.020" Oversize)			118	696135	Jet-Main (High Altitude)	287	691693	Screw (Dipstick Tube)
26	697692	Ring Set (Standard)	121A	696146	Kit-Carburetor Overhaul (Nikki Carburetor)	300A	699211	Muffler
----- <b>Note</b> -----			122	★*Δ◆694876	Spacer-Carburetor	304	791479	Housing-Blower
697698 Ring Set (.020" Oversize)			125B	696737	Carburetor	305	691108	Screw (Blower Housing)
27	690975	Lock-Piston Pin	127A	◆690727	Plug-Welch	306	697240	Shield-Cylinder
28	690229	Pin-Piston	130A	696139	Valve-Throttle	307	691660	Screw (Cylinder Shield)
29	694691	Rod-Connecting	133A	694914	Float-Carburetor	309A	698112	Motor-Starter Used on Type No(s). 0345, 0370, 0538.
30	694692	Dipper-Connecting Rod	135	696142	Tube-Fuel Transfer			
32	690976	Screw (Connecting Rod)	137A	◆◆695426	Gasket-Float Bowl			
33	499596	Valve-Exhaust	146	690979	Key-Timing			
34	697464	Valve-Intake	187	691050	Line-Fuel (Cut To Required Length)			
35	694865	Spring-Valve (Intake)						
36	694865	Spring-Valve (Exhaust)						

★ Included in Engine Gasket Set-Ref. No.358.

● Included in Carburetor Overhaul Kit-Ref. No. 121.

◆ Included in Carburetor Gasket Set-Ref. No. 977.

Δ Included in Valve Gasket Set-Ref. No 1095.

*Illustrations cover a range of engines. Parts shown without corresponding text may not be used on your specific engine.*

# 21C100

REF. NO.	PART NO.	DESCRIPTION	REF. NO.	PART NO.	DESCRIPTION	REF. NO.	PART NO.	DESCRIPTION
332	694685	Nut (Flywheel)	615	694676	Retainer-Governor Shaft	976	695750	Primer-Carburetor
333	715231	Armature-Magneto	616	694675	Crank-Governor	977A	696147	Gasket Set-Carburetor (Use With Nikki Carburetor)
334	691061	Screw (Magneto Armature)	621	698338	Switch-Stop	990A	695756	Key Set
337	491055	Plug-Spark	632	695917	Spring/Link-Mechanical Governor (Use With Nikki Carburetor)	998A	696683	Pipe-Oil
356	692603	Wire-Stop	633B	◆690998	Seal-Choke/Throttle Shaft	1005	694684	Fan-Flywheel
358	695438	Gasket Set-Engine	635	710901	Boot-Spark Plug (Alternator)	1019	790459	Kit-Label
363	19203	Puller-Flywheel	689	691855	Spring-Friction	1022	★△690971	Gasket-Rocker Cover
369	695422	Spring-Float Bowl	697	698113	Screw (Drive Cap)	1023A	698042	Cover-Rocker
383	19374	Wrench-Spark Plug	718	690959	Pin-Locating (Cylinder)	1026	695177	Rod-Push
415	691363	Plug	718A	695178	Pin-Locating (Head)	1029	690972	Arm-Rocker Label-Emissions (Available from an Authorized Briggs & Stratton Service Dealer)
455	697226	Cup-Flywheel	725	696756	Shield-Heat	1036		
456	692299	Plate-Pawl Friction	727	697465	Cover-Starter Drive	1058	276355	Operator's Manual
459	281505	Pawl-Ratchet	731B	790470	Hood-Snow	1070	691058	Screw (Flywheel Fan)
472	790472	Knob-Choke Shaft	731C	790454	Hood-Snow	1095	695440	Gasket Set-Valve
474A	695730	Alternator	732	691097	Screw (Starter Drive Cover)	1100	690973	Pivot-Rocker Arm
505	691251	Nut (Governor Control Lever)	741	691288	Gear-Timing	1119	691183	Screw (Alternator)
523	790477	Dipstick	742	692564	Retainer-E Ring	1127A	695407	Screw (Float Bowl)
524	691876	Seal-Dipstick Tube	746	694679	Gear-Idler	1171	696754	Stud (Rocker Cover)
525	790478	Tube-Dipstick	773	694258	Retainer	1194	691876	Seal-O Ring (Plug)
528	696751	Hose-Primer	798	697890	Screw (Rocker Arm)	1196	696685	Screw (Snow Hood)
529	791822	Grommet	847	790476	Dipstick/Tube Assembly	1210	498144	Pulley/Spring Assembly (Pulley)
552	694674	Bushing-Governor Crank	853	790455	Adapter-Wire	1211	498144	Pulley/Spring Assembly (Spring)
562	691119	Bolt (Governor Control Lever)	868	★△690968	Seal-Valve	1230	696747	Stud (Control Bracket)
564	696692	Screw (Control Cover)	877A	◆399916	Wire/Connector- Alternator	1251	282921	Shield-Snow
578	790481	Wire Assembly	883	695398	Gasket-Exhaust	1251A	696762	Shield-Snow
592	690800	Nut (Rewind Starter)	892A	696749	Switch-Key	1252	691108	Screw (Snow Shield)
597	691696	Screw (Pawl Friction Plate)	914	693732	Screw (Rocker Cover)	1288	696757	Nut (Snow Hood)
601	95162	Clamp-Hose	930	696709	Guard-Rewind	1318	698111	Knob-Snow Hood
604A	696758	Cover-Control	957A	694261	Cap-Fuel Tank (Plastic)	1351	790017	Stud (Cylinder Shield)
604B	790473	Cover-Control	958	698180	Valve-Fuel Shut Off (Plastic)	1352	790026	Nut (Spark Plug Shield)
608A	699335	Starter-Rewind	972A	694260	Tank-Fuel (Plastic)			
613	695312	Screw (Muffler)	975A	696138	Bowl-Float			
		----- Note ----- 691003 Screw (Muffler)						
613B	696705	Screw (Muffler)						

★ Included in Engine Gasket Set-Ref. No.358.

● Included in Carburetor Overhaul Kit-Ref. No. 121.

◆ Included in Carburetor Gasket Set-Ref. No. 977.

△ Included in Valve Gasket Set-Ref. No 1095.

**Illustrations cover a range of engines. Parts shown without corresponding text may not be used on your specific engine.**