

# Illustrated Parts List

## Model Series

# 219900

TYPE NUMBERS  
0110 through 0171.

### TABLE OF CONTENTS

Air Cleaner/Blower Housing .....	6
Alternator .....	9
Camshaft .....	3
Carburetor .....	5
Controls .....	8
Crankcase Sump .....	2
Crankshaft .....	3
Cylinder .....	2
Cylinder Head .....	4
Electric Starter .....	7
Exhaust System .....	6
Flywheel .....	7
Fuel System .....	8
Ignition .....	8
Kit/Gasket Sets - Carburetor .....	5
Kit/Gasket Sets - Engine .....	4
Kit/Gasket Sets - Valve .....	4
Lubrication .....	3
Piston .....	3



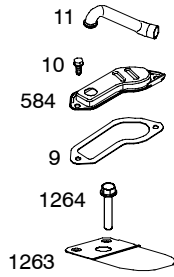
PRINTED IN U.S.A.

COPYRIGHT by BRIGGS & STRATTON CORPORATION  
 All rights reserved. No part of this material may be reproduced or transmitted,  
 in any form or by any means, electronic or mechanical, including photocopying,  
 recording or by any information storage and retrieval system, without permission  
 in writing from Briggs & Stratton Corporation.

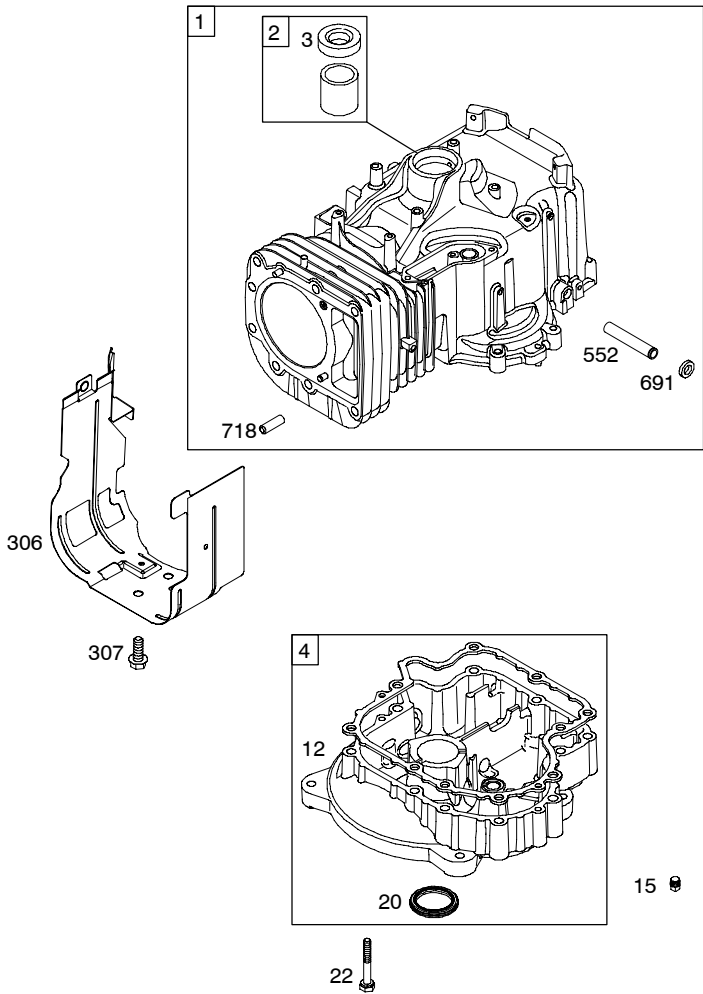


0 24847 12034 9

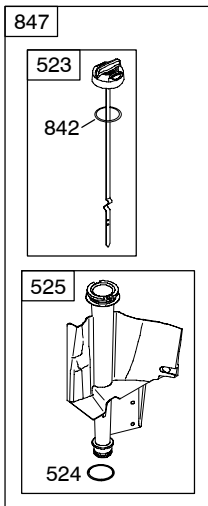
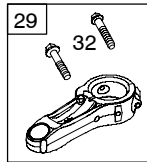
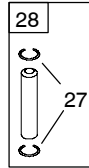
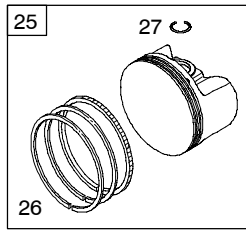
# 219900



- 1019 LABEL KIT
- 1058 OWNER'S MANUAL
- 1330 REPAIR MANUAL

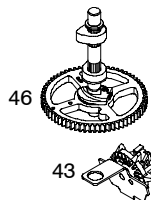
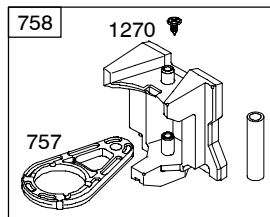
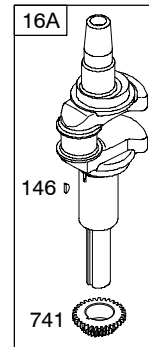


5713-2 *Illustrations cover a range of engines. Parts shown without corresponding text may not be used on your specific engine.* Assemblies include all parts shown in frames. 10/08/2004



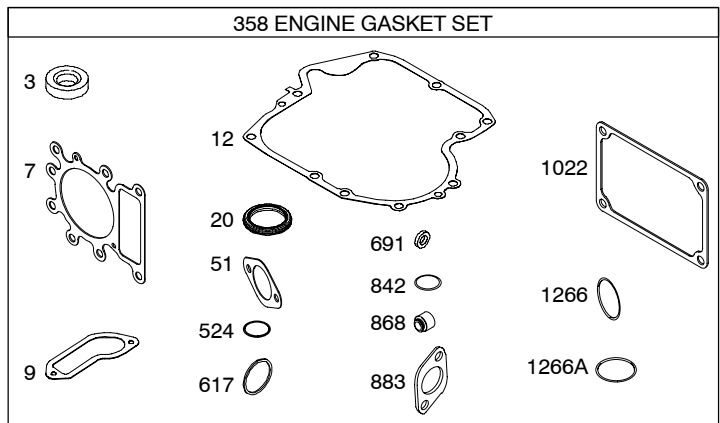
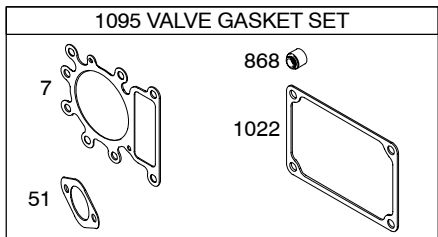
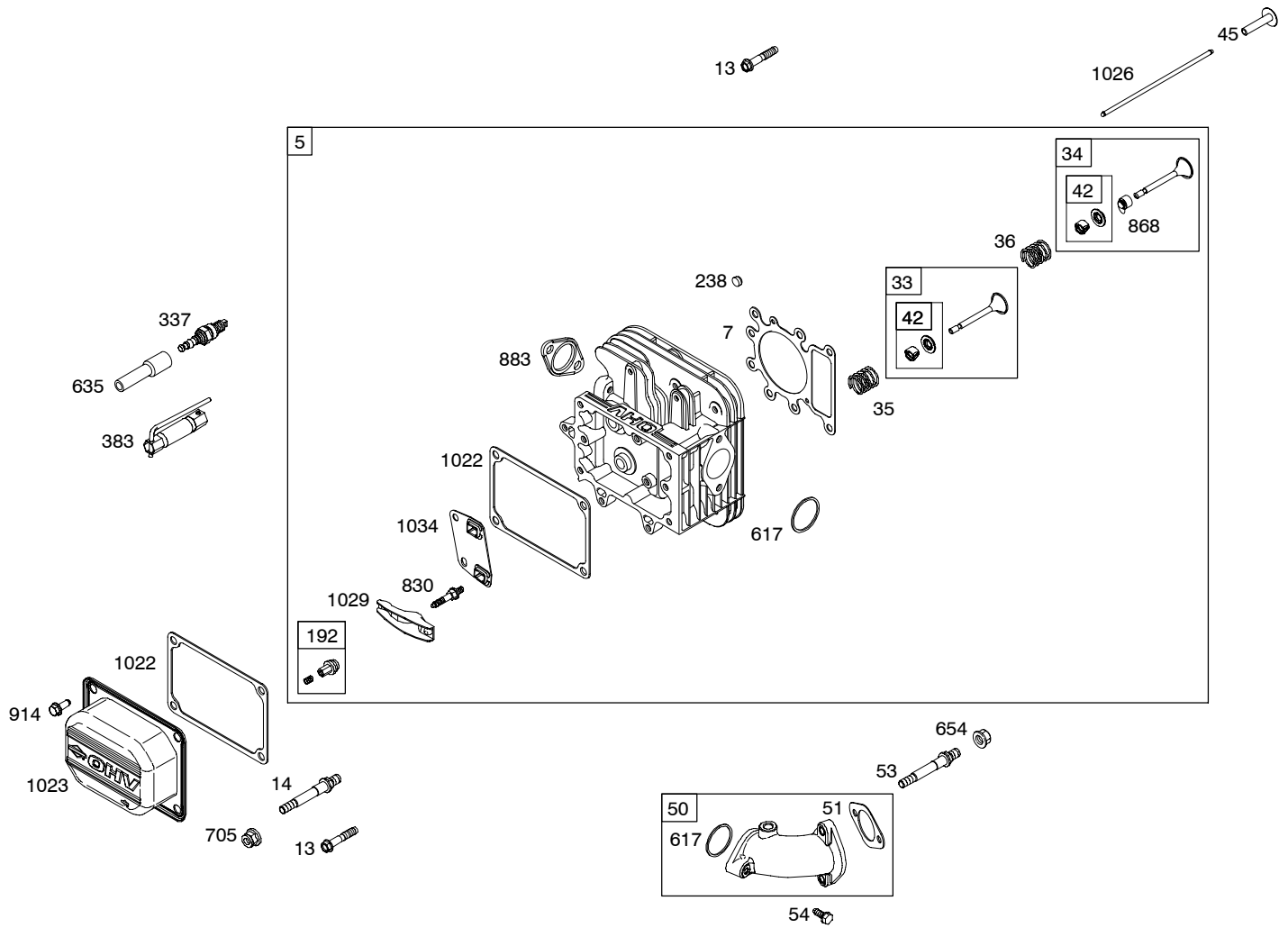
24

357

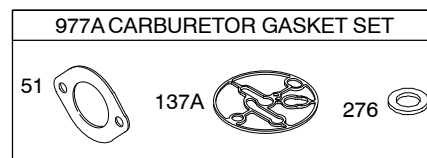
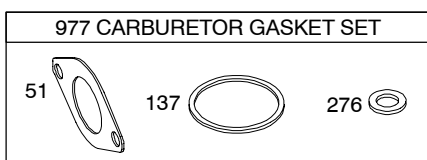
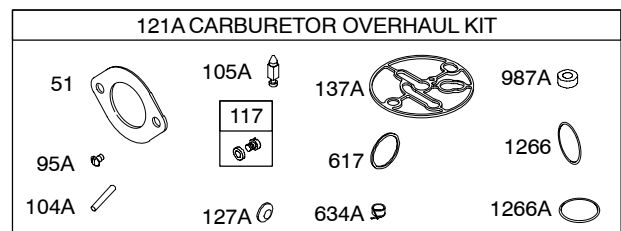
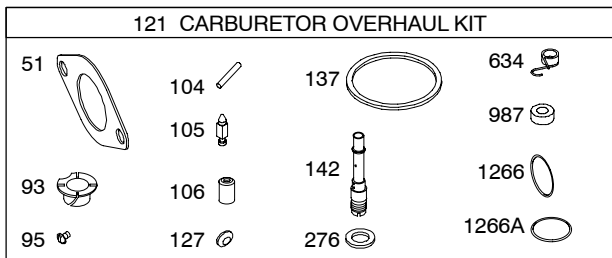
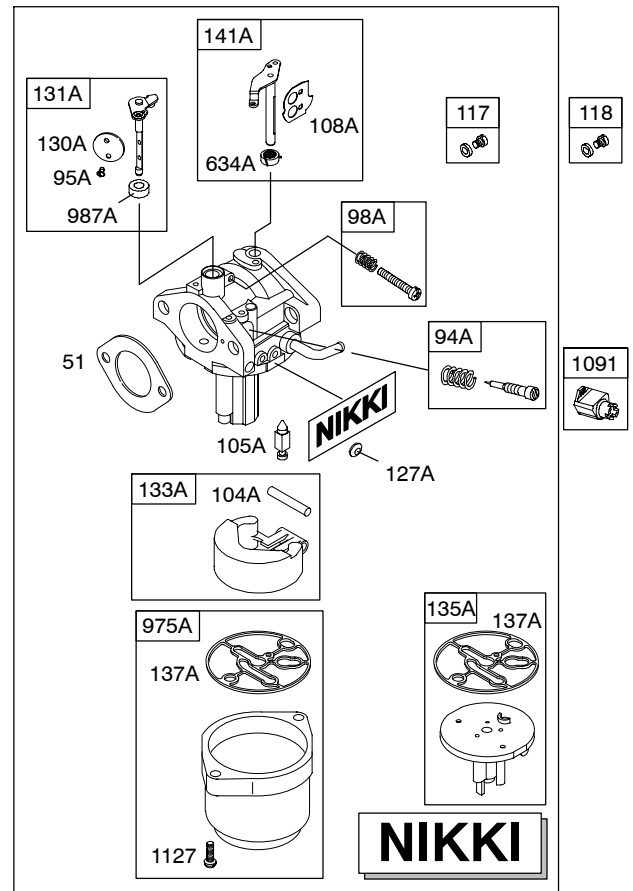
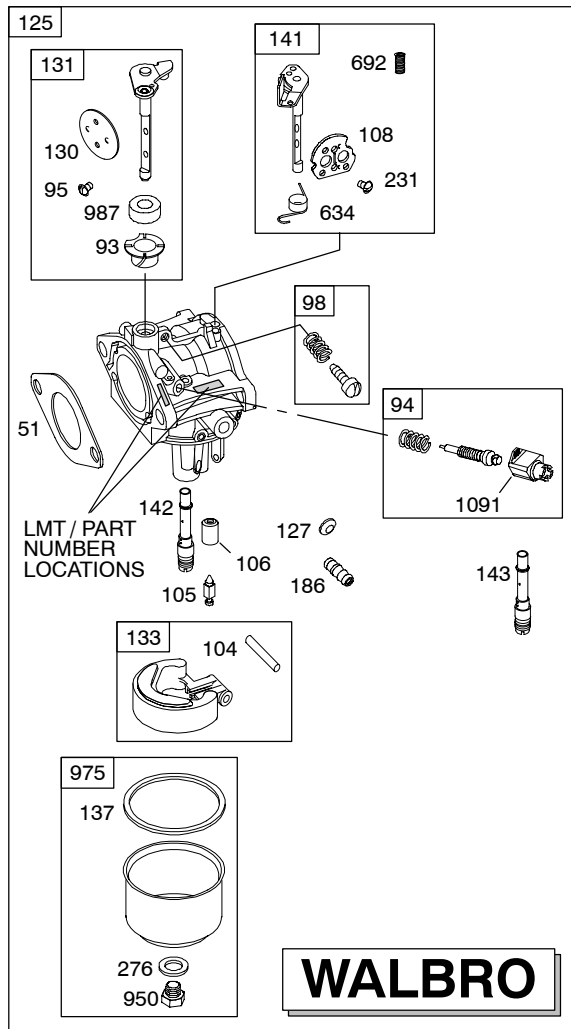


Illustrations cover a range of engines. Parts shown without corresponding text may not be used on your specific engine.

**219900**



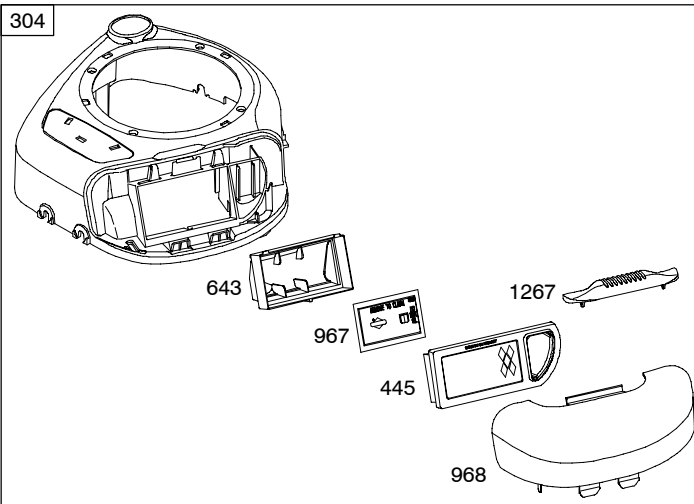
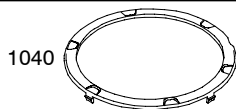
Illustrations cover a range of engines. Parts shown without corresponding text may not be used on your specific engine.



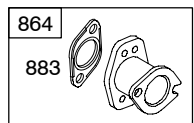
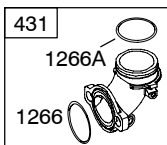
Illustrations cover a range of engines. Parts shown without corresponding text may not be used on your specific engine.

# 219900

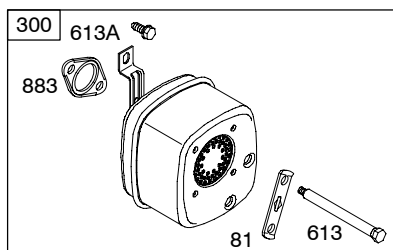
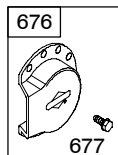
1036 EMISSION LABEL



305A  
305



823

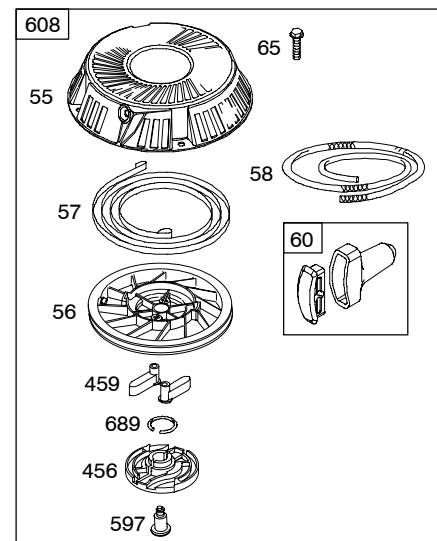
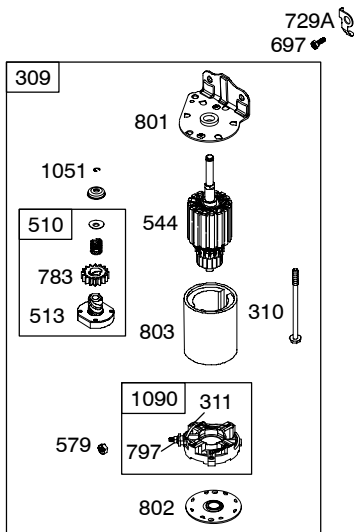
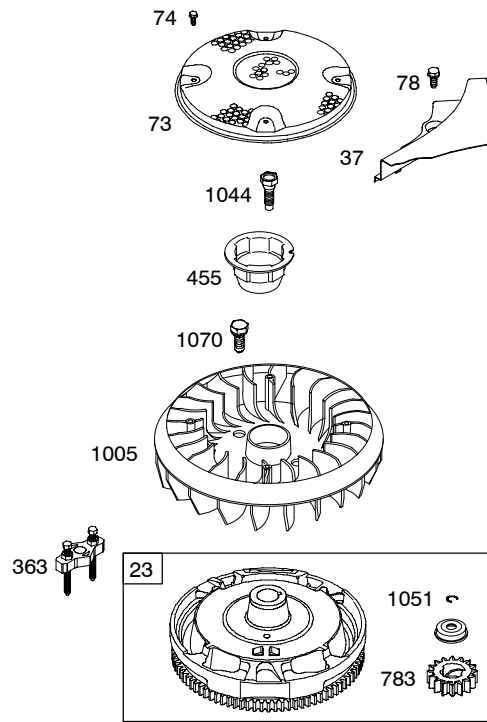


*Illustrations cover a range of engines. Parts shown without corresponding text may not be used on your specific engine.*

5713-6

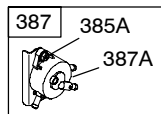
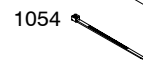
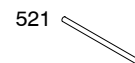
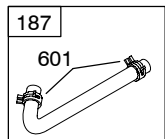
Assemblies include all parts shown in frames.

10/08/2004

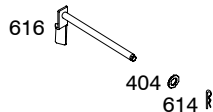
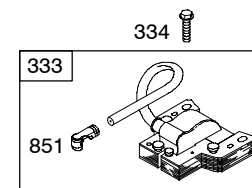
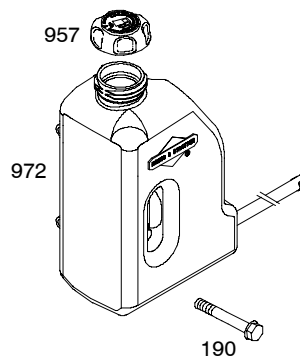
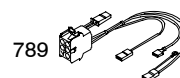
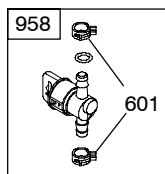
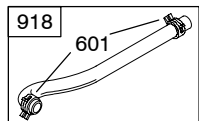


Illustrations cover a range of engines. Parts shown without corresponding text may not be used on your specific engine.

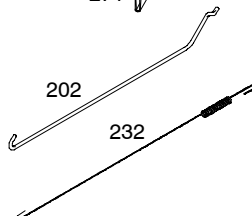
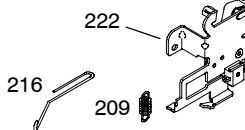
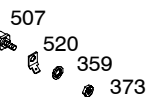
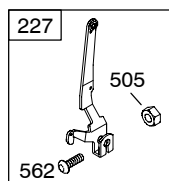
# 219900



385



404 614



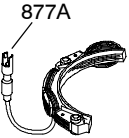


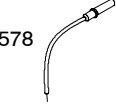

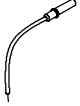



Illustrations cover a range of engines. Parts shown without corresponding text may not be used on your specific engine.

5713-8

Assemblies include all parts shown in frames.

10/08/2004



DC ONLY	DUAL CIRCUIT	5 – 9 AMP
<p>474A</p> 	<p>474B</p> 	<p>474C</p> 
<p>578</p> 	<p>878</p> 	<p>578</p> 
<p><b>NOTE:</b> All stators use a No. 1119 mounting screw. </p> <p><b>NOTE:</b> The proper flywheel part number and/or the alternator magnet size will determine the alternator type or output. See repair instruction manual for additional information.</p>		<p>526A </p> <p>501A </p>

729B 

**219900**

REF. NO.	PART NO.	DESCRIPTION	REF. NO.	PART NO.	DESCRIPTION	REF. NO.	PART NO.	DESCRIPTION
1	697377	Cylinder Assembly	26	698375	Ring Set (Standard)	65	697725	Screw (Rewind Starter)
2	399265	Kit-Bushing/Seal (Magneto Side)			----- <b>Note</b> -----	73	697133	Screen-Rotating
3	★391086	Seal-Oil (Magneto Side)			698376 Ring Set (.010" Oversize)	74	697897	Screw (Rotating Screen)
4	697106	Sump-Engine			698377 Ring Set (.020" Oversize)	78	691003	Screw (Flywheel Guard)
5	697396	Head-Cylinder			698378 Ring Set (.030" Oversize)	81	691178	Lock-Muffler Screw
7	★△273280	Gasket-Cylinder Head				93	●690602	Bushing-Throttle Shaft
9	★697109	Gasket-Breather	27	698469	Lock-Piston Pin (Pink)	94	498030	Kit-Idle Mixture (Walbro)
10	697157	Screw (Breather Assembly)	28	697099	Pin-Piston	94A	695425	Kit-Idle Mixture (Nikki)
11	697113	Tube-Breather	29	697364	Rod-Connecting (Standard)	95	●691636	Screw (Throttle Valve)
12	★697110	Gasket-Crankcase (.015" Thick) (Standard)			----- <b>Note</b> -----	95A	●690718	Screw (Throttle Valve)(Nikki)
13	690360	Screw (Cylinder Head)			697262 Rod- Connecting (.020" Undersize)	98	495800	Kit-Idle Speed (Walbro)
14	790560	Stud (Cylinder Head)	32	692852	Screw (Connecting Rod)	98A	695408	Kit-Idle Speed (Nikki)
15	690946	Plug-Oil Drain (3/8" Standard)	33	695760	Valve-Exhaust	104	●690525	Pin-Float Hinge (Walbro)
16A	697390	Crankshaft	34	695761	Valve-Intake	104A	●694918	Pin-Float Hinge (Nikki)
20	★690947	Seal-Oil (PTO Side)	35	691279	Spring-Valve (Intake)	105	●231855	Valve-Float Needle (Walbro)
22	692125	Screw (Crankcase Cover/Sump)	36	691279	Spring-Valve (Exhaust)	105A	●696136	Valve-Float Needle (Nikki)
23	698281	Flywheel	37	697352	Guard-Flywheel	106	●691780	Seat-Inlet (Pump Feed) Used on Type No(s). 0110, 0114, 0118.
		----- <b>Note</b> -----	42	499586	Keeper-Valve			----- <b>Note</b> -----
		790924 Flywheel	43	691968	Slinger-Governor/Oil			690577 Seat-Inlet (Gravity Feed) Used on Type No(s). 0111, 0112, 0123, 0131, 0170, 0171.
		Used on Type No(s). 0111, 0112.	45	690564	Tappet-Valve			
		790922 Flywheel	46	790392	Camshaft			
		Used on Type No(s). 0114.	50	697361	Manifold-Intake			
24	222698	Key-Flywheel	51	●★△692137	Gasket-Intake			
25	698371	Piston Assembly (Standard)	53	690227	Stud (Carburetor)			
		----- <b>Note</b> -----	54	691148	Screw (Intake Manifold)			
		698372 Piston Assembly (.010" Oversize)	55	695130	Housing-Rewind Starter	108	691227	Valve-Choke (Walbro)
		698373 Piston Assembly (.020" Oversize)	56	695129	Pulley-Starter	108A	698773	Valve-Choke (Nikki)
		698374 Piston Assembly (.030" Oversize)	57	695131	Spring-Rewind Starter	117	699897	Jet-Main (Standard)
			58	695132	Rope-Starter	118	699898	Jet-Main (High Altitude)
			60	494212	Grip-Starter Rope			

★ Included in Engine Gasket Set-Ref. No.358.

● Included in Carburetor Overhaul Kit-Ref. No. 121.

◆ Included in Carburetor Gasket Set-Ref. No. 977.

△ Included in Valve Gasket Set-Ref. No 1095.

**Illustrations cover a range of engines. Parts shown without corresponding text may not be used on your specific engine.**

**219900**

REF. NO.	PART NO.	DESCRIPTION	REF. NO.	PART NO.	DESCRIPTION	REF. NO.	PART NO.	DESCRIPTION
121	790031	Kit-Carburetor Overhaul (Walbro)	142	●790025	Nozzle-Carburetor (Standard)(Walbro)	231	691636	Screw (Choke Valve)
121A	698787	Kit-Carburetor Overhaul (Nikki)	143	●790028	Nozzle-Carburetor (High Altitude)(Walbro)	232	691842	Spring-Governor Link
125	790020	Carburetor (Pump Feed) Used on Type No(s). 0110, 0114, 0118.	146	691639	Key-Timing	238	691843	Cap-Valve
		----- <b>Note</b> -----	186	698174	Connector-Hose (Straight)	240	394358	Filter-Fuel (White, 75 Microns) Used on Type No(s). 0111, 0112, 0170, 0171.
		<b>790019</b> Carburetor (Gravity Feed) Used on Type No(s). 0111, 0112, 0123, 0131, 0170, 0171.	187	699331	Line-Fuel (Formed)(Cut To Required Length) Used on Type No(s). 0110, 0111, 0112, 0114, 0118, 0170, 0171.	240A	691035	Filter-Fuel (Clear, 40 Microns) Used on Type No(s). 0110, 0114, 0118.
127	●694524	Plug-Welch (Walbro)	188	691693	Screw (Control Bracket)	265	691024	Clamp-Casing
127A	●690727	Plug-Welch (Nikki)	190	790931	Screw (Fuel Tank)	267	690804	Screw (Casing Clamp)
130	790024	Valve-Throttle (Walbro)	192	691986	Adjuster-Rocker Arm	267A	695134	Screw (Casing Clamp)
130A	698774	Valve-Throttle (Nikki)	202	691841	Link-Mechanical Governor	268	691025	Casing-Control Wire (Cut To Required Length)
131	790175	Kit-Throttle Shaft (Walbro)	209	692208	Spring-Governor Used on Type No(s). 0110, 0112, 0114, 0118, 0123.	269	691026	Wire-Control (Cut To Required Length)
131A	698776	Kit-Throttle Shaft (Nikki)			----- <b>Note</b> -----	270	691027	Nut (Control Wire Casing)
133	494381	Float-Carburetor (Walbro)		690480	Spring-Governor Used on Type No(s). 0111, 0170.	271	691028	Lever-Control
133A	694914	Float-Carburetor (Nikki)		260902	Spring-Governor Used on Type No(s). 0171.	276	●692255	Washer-Sealing
135A	698780	Tube-Fuel Transfer (Nikki) Used on Type No(s). 0111, 0112, 0123, 0131, 0170, 0171.		691798	Spring-Governor Used on Type No(s). 0131.	300	697048	Muffler (Lo Tone) Used on Type No(s). 0114.
		----- <b>Note</b> -----	216	691840	Link-Choke	304	698473	Housing-Blower (Black) Used on Type No(s). 0112, 0123, 0131, 0170, 0171.
		<b>790030</b> Tube-Fuel Transfer (Nikki) Used on Type No(s). 0110, 0114, 0118.	222	694042	Bracket-Control			----- <b>Note</b> -----
137	●281165	Gasket-Float Bowl (Walbro)	227	691374	Lever-Governor Control			<b>699085</b> Housing-Blower (Red) Used on Type No(s). 0110, 0111, 0114, 0118.
137A	●698781	Gasket-Float Bowl (Nikki) Used on Type No(s). 0118.						
141	699027	Kit-Choke Shaft (Walbro)						
141A	698778	Kit-Choke Shaft (Nikki)						

★ Included in Engine Gasket Set-Ref. No.358.

● Included in Carburetor Overhaul Kit-Ref. No. 121.

◆ Included in Carburetor Gasket Set-Ref. No. 977.

△ Included in Valve Gasket Set-Ref. No 1095.

*Illustrations cover a range of engines. Parts shown without corresponding text may not be used on your specific engine.*

**219900**

REF. NO.	PART NO.	DESCRIPTION	REF. NO.	PART NO.	DESCRIPTION	REF. NO.	PART NO.	DESCRIPTION
305	697102	Screw (Blower Housing)	383	89838	Wrench-Spark Plug	507	691972	Insulator
305A	697103	Screw (Blower Housing)	385	694476	Screw (Fuel Pump)	510	693699	Drive-Starter
306	697359	Shield-Cylinder	385A	690297	Screw (Fuel Pump)	513	692024	Clutch-Drive
307	691003	Screw (Cylinder Shield)			Used on Type No(s). 0110.	520	691084	Terminal-Ground
309	693551	Motor-Starter Used on Type No(s). 0110, 0111, 0112, 0114, 0118, 0170, 0171.	387	697090	Pump-Fuel (Includes Mounting Bracket) Used on Type No(s). 0110, 0118.	521	690581	Shield-Cable
310	690323	Screw (Starter Motor)	387A	808656	Pump-Fuel Used on Type No(s). 0110, 0118.	523	699908	Dipstick
311	497608	Brush Set	387A	808656	Pump-Fuel Used on Type No(s). 0110, 0118.	524	691032	Seal-Dipstick Tube
333	492341	Armature-Magneto	404	691691	Washer (Governor Crank)	525	697184	Tube-Dipstick ----- <b>Note</b> ----- <b>697085</b> Tube-Dipstick (Used On Engines With Fuel Pump) Used on Type No(s). 0110, 0118.
334	691061	Screw (Magneto Armature)	431	697122	Elbow-Intake	526A	697088	Screw (Regulator)(5 To 9 Amp Regulated)
337	491055	Plug-Spark ----- <b>Note</b> ----- <b>691043</b> Plug-Spark Used on Type No(s). 0110, 0111, 0112, 0114, 0118, 0171.	445	698413	Filter-Air Cleaner Cartridge (Non Washable)	544	692034	Armature-Starter
356	697397	Wire-Stop (1 Wire, 20" Long) (Snap Connect Insulated Female Blade Terminal, AndSnap Connect Insulated Pin Socke Used on Type No(s). 0112, 0170, 0171.	455	695113	Cup-Flywheel	552	697144	Bushing-Governor Crank
356B	697089	Wire-Stop (1 Wire, 8" Long)(2 Ring Terminals) Used on Type No(s). 0111, 0112.	456	695128	Plate-Pawl Friction	562	691119	Bolt (Governor Control Lever)
357	691483	Key-Drive Pulley Used on Type No(s). 0171.	459	281505	Pawl-Ratchet	578	692306	Wire Assembly (1 Wire, 48-1/2" Long)(Snap Connect Female Pin Socket, And Bare WireEnd)
358	697151	Gasket Set-Engine	474A	696578	Alternator (DC Only) Used on Type No(s). 0110, 0118, 0171.	579	691029	Nut (Starter Cable)
359	691077	Washer (Ground Terminal)	474B	696459	Alternator (Dual Circuit) Used on Type No(s). 0114, 0123, 0131, 0170.	584	697112	Cover-Breather Passage
363	19203	Puller-Flywheel	474C	696457	Alternator (5 To 9 Amp Regulated) Used on Type No(s). 0111, 0112.	597	691696	Screw (Pawl Friction Plate)
373	691612	Nut (Ground Terminal)	501A	691188	Regulator (5 To 9 Amp Regulated) Used on Type No(s). 0111, 0112.	601	95162	Clamp-Hose (Zinc Plate)(Spring Wire) ----- <b>Note</b> ----- <b>691038</b> Clamp-Hose (Black)(Spring Steel) Used on Type No(s). 0112.
			505	691251	Nut (Governor Control Lever)	608	695058	Starter-Rewind
						613	691416	Screw (Muffler)
						613A	691678	Screw (Muffler)

★ Included in Engine Gasket Set-Ref. No.358.

● Included in Carburetor Overhaul Kit-Ref. No. 121.

◆ Included in Carburetor Gasket Set-Ref. No. 977.

△ Included in Valve Gasket Set-Ref. No 1095.

**Illustrations cover a range of engines. Parts shown without corresponding text may not be used on your specific engine.**

**219900**

REF. NO.	PART NO.	DESCRIPTION	REF. NO.	PART NO.	DESCRIPTION	REF. NO.	PART NO.	DESCRIPTION
614	691620	Pin-Cotter	797	693167	Nut (Brush Retainer)	878	691237	Harness-Alternator (2 Wires, 48-1/2", And 48-1/2" Long)(Snap Connect Female Pin Terminal,And 2 Bare Wire Ends) Used on Type No(s). 0170.
616	692012	Crank-Governor	801	691283	Cap-Drive	883	★692236	Gasket-Exhaust
617	★692138	Seal-O Ring (Intake Manifold)	802	691286	Cap-End	914	691108	Screw (Rocker Cover)
634	●690802	Spring/Seal Assembly (Walbro)	803	693757	Housing-Starter	918	697091	Hose-Vacuum (Molded) Used on Type No(s). 0110, 0118.
634A	●698779	Spring/Seal Assembly (Nikki)	823	698941	Screw (Muffler Adapter)	950	691657	Screw-Float Bowl (Bottom Of Bowl)
635	691909	Boot-Spark Plug	830	691095	Stud-Rocker Arm	957	694261	Cap-Fuel Tank (Plastic)
643	697155	Retainer-Air Filter	842	★691031	Seal-O Ring (Dipstick Tube)	958	698183	Valve-Fuel Shut Off (Plastic)(Plastic) Used on Type No(s). 0112.
654	690958	Nut (Carburetor)	847	790442	Dipstick/Tube Assembly ----- <b>Note</b> ----- <b>790443</b> Dipstick/Tube Assembly (Used On Engines With Fuel Pump) Used on Type No(s). 0110.	967	697292	Filter-Pre Cleaner
676	393761	Deflector-Muffler (Side Out) Used on Type No(s). 0171.	851	692424	Terminal-Spark Plug	968	697420	Cover-Air Cleaner (Black) Used on Type No(s). 0110, 0111, 0112, 0118, 0123, 0131, 0170, 0171.
677	690661	Screw (Muffler Deflector)	864	697346	Adapter-Muffler Used on Type No(s). 0114, 0171.	972	699710	Tank-Fuel (Plastic)
689	691855	Spring-Friction	868	★△690968	Seal-Valve	975	495933	Bowl-Float (Walbro)
691	★692407	Seal-Governor Shaft	877	393456	Wire/Connector- Alternator (Dual Circuit) Used on Type No(s). 0170.	975A	698783	Bowl-Float (Nikki)
692	691301	Spring-Detent Used on Type No(s). 0110.	877A	393814	Wire/Connector- Alternator (DC Only) Used on Type No(s). 0110, 0171.	977	690192	Gasket Set-Carburetor (Walbro)
697	690372	Screw (Drive Cap)	877B	393537	Wire/Connector- Alternator (5 To 9 Amp Regulated) Used on Type No(s). 0111, 0112.	977A	790032	Gasket Set-Carburetor (Nikki)
705	790561	Nut (Fuel Tank)						
718	690959	Pin-Locating						
729	691335	Clip-Wire (Wire Retainer)						
729A	691224	Clip-Wire (Starter Motor)						
729B	694123	Clip-Wire (Regulator) Used on Type No(s). 0111, 0112.						
741	697128	Gear-Timing						
757	697607	Link-Counterweight						
758	697391	Counterweight						
783	693713	Gear-Pinion						
789	698329	Harness-Wiring Used on Type No(s). 0110, 0111, 0114, 0118.						

★ Included in Engine Gasket Set-Ref. No.358.

● Included in Carburetor Overhaul Kit-Ref. No. 121.

◆ Included in Carburetor Gasket Set-Ref. No. 977.

△ Included in Valve Gasket Set-Ref. No 1095.

**Illustrations cover a range of engines. Parts shown without corresponding text may not be used on your specific engine.**

## 219900

REF. NO.	PART NO.	DESCRIPTION	REF. NO.	PART NO.	DESCRIPTION	REF. NO.	PART NO.	DESCRIPTION
987	●691326	Seal-Throttle Shaft (Walbro)	1040	698368	Plate-Trim (Exhaust)	1127	695407	Screw (Float Bowl)
987A	●698777	Seal-Throttle Shaft (Nikki)			Used on Type No(s). 0110, 0111, 0112, 0118, 0170, 0171.	1263	697124	Reed-Breather
1005	699044	Fan-Flywheel				1264	697104	Screw (Breather Reed)
1019	699196	Kit-Label	1044	698139	Screw (Flywheel)	1266	●691917	Seal-O Ring (Intake Elbow)
1022	★△272475	Gasket-Rocker Cover	1051	691265	Ring-Retaining	1266A	●697123	Seal-O Ring (Intake Elbow)
1023	692492	Cover-Rocker	1054	280275	Tie-Cable	1267	697419	Latch-Blower Housing (Black)
1026	697395	Rod-Push (Exhaust)	1058	275935	Operator's Manual			Used on Type No(s). 0110, 0111, 0112, 0118, 0123, 0131, 0170, 0171.
		----- Note -----	1070	690372	Screw (Flywheel Fan)	1270	697156	Plug-AVS Counterweight
		697394 Rod-Push (Intake)	1090	691293	Retainer-Brush	1330	272147	Repair Manual
1029	691751	Arm-Rocker	1091	691333	Cap-Limiter			
1034	690822	Guide-Push Rod	1095	691581	Gasket Set-Valve			
1036	790465	Label-Emissions (Used After Code Date 04063000)	1119	691183	Screw (Alternator)			
		----- Note -----						
		790186 Label-Emissions (Used After Code Date 03123100 and Before Code Date 04070100).						
		697221 Label-Emissions (Used Before Code Date 04010100)						

★ Included in Engine Gasket Set-Ref. No.358.

● Included in Carburetor Overhaul Kit-Ref. No. 121.

◆ Included in Carburetor Gasket Set-Ref. No. 977.

△ Included in Valve Gasket Set-Ref. No 1095.

**Illustrations cover a range of engines. Parts shown without corresponding text may not be used on your specific engine.**

For Briggs & Stratton Discount Parts Call 606-678-9623 or 606-561-4983

