



# Illustrated Parts List

## Model Series

# 20F400

TYPE NUMBERS  
0017 through 0114.

### TABLE OF CONTENTS

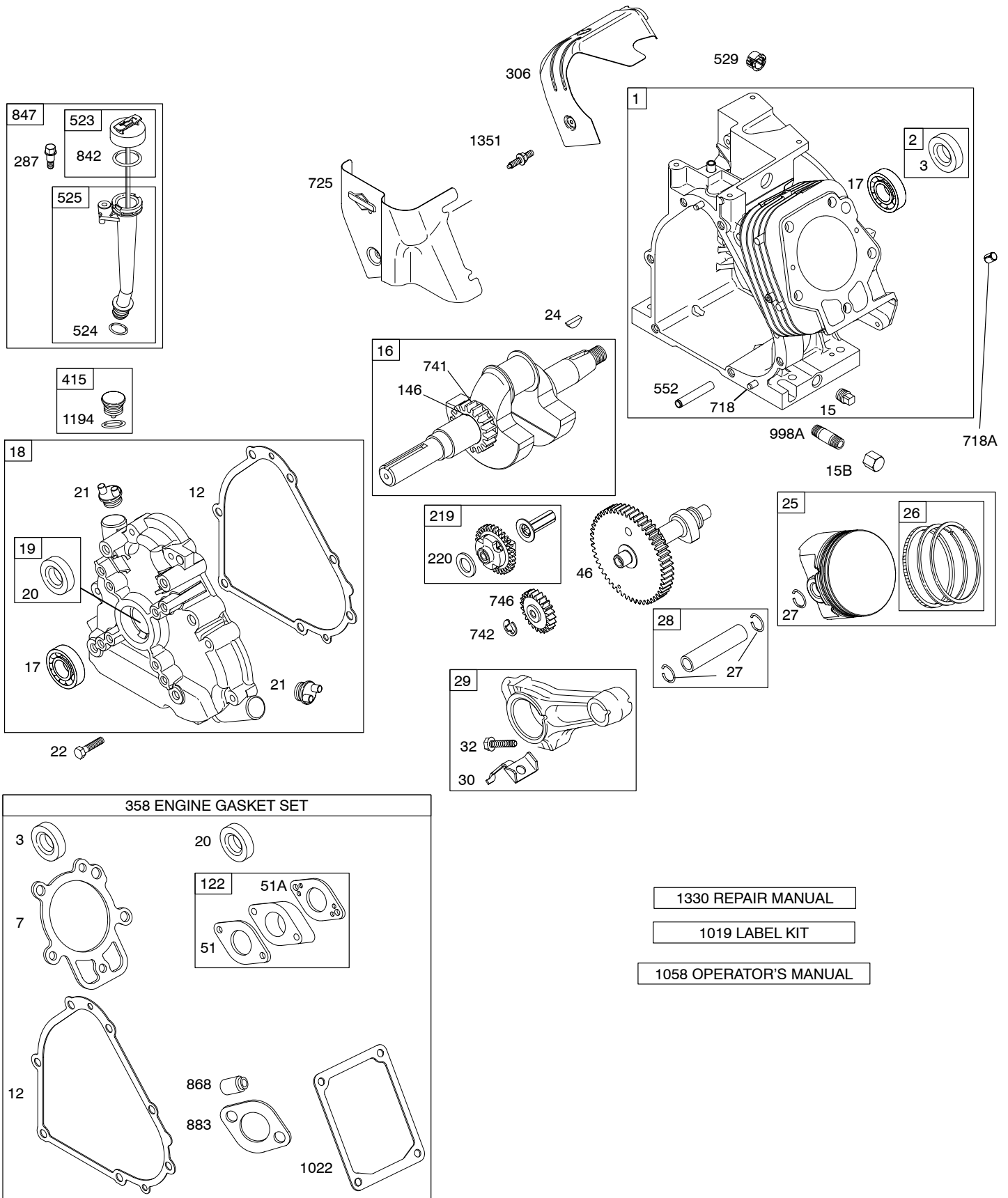
<b>Air Cleaner</b> .....	5
<b>Alternator</b> .....	8
<b>Blower Housing/Shrouds</b> .....	6
<b>Camshaft</b> .....	2
<b>Carburetor</b> .....	4
<b>Controls</b> .....	7
<b>Crankcase Cover</b> .....	2
<b>Crankshaft</b> .....	2
<b>Cylinder</b> .....	2
<b>Cylinder Head</b> .....	3
<b>Electric Starter</b> .....	8
<b>Exhaust System</b> .....	5
<b>Flywheel</b> .....	6
<b>Fuel Supply</b> .....	8
<b>Governor Spring</b> .....	7
<b>Ignition</b> .....	8
<b>Kit/Gasket Sets - Carburetor</b> .....	4
<b>Kit/Gasket Sets - Engine</b> .....	2
<b>Kit/Gasket Sets - Valves</b> .....	3
<b>Lubrication</b> .....	2
<b>Piston, Rings, Connecting Rod</b> .....	2
<b>Rewind Starter</b> .....	6
<b>Valves</b> .....	3



PRINTED IN U.S.A.

COPYRIGHT by BRIGGS & STRATTON CORPORATION  
All rights reserved. No part of this material may be reproduced or transmitted, in any form or by any means, electronic or mechanical, including photocopying, recording or by any information storage and retrieval system, without permission in writing from Briggs & Stratton Corporation.

# 20F400

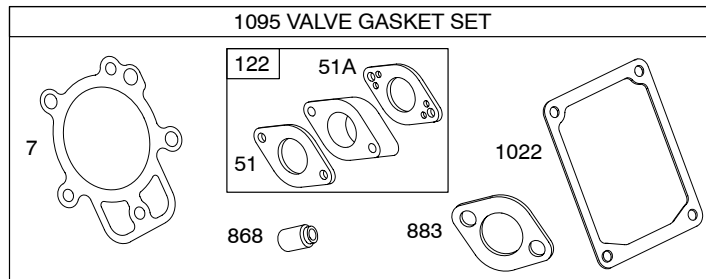
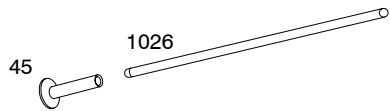
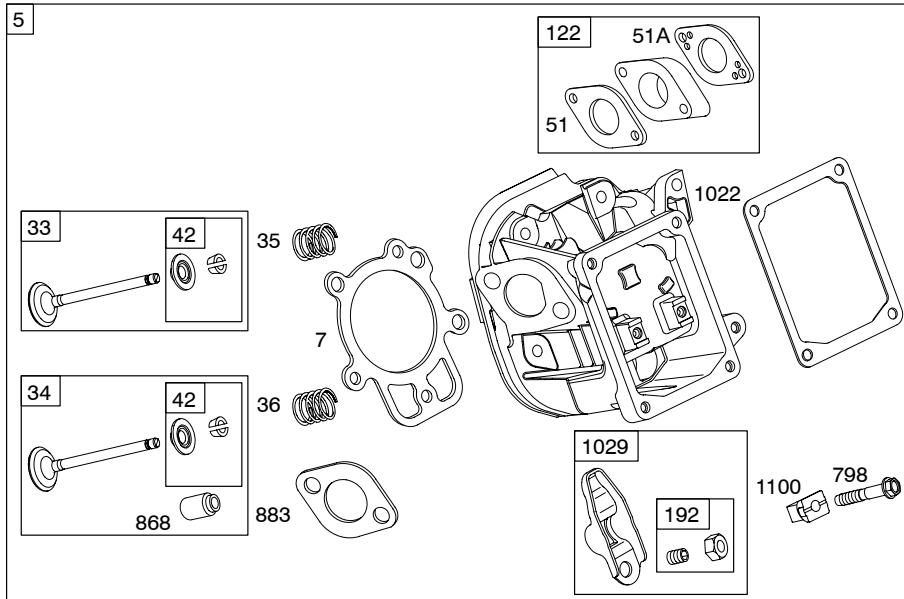
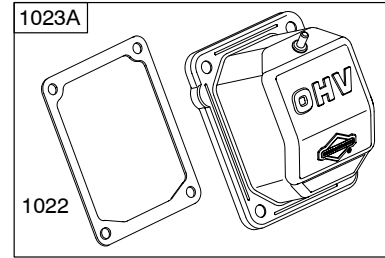
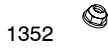
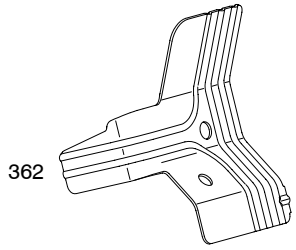


**Illustrations cover a range of engines. Parts shown without corresponding text are not used on this engine.**

6765-2

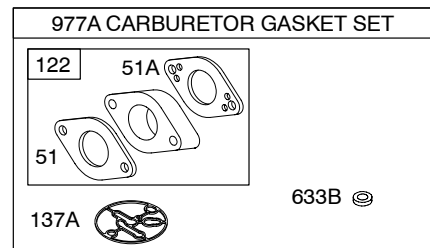
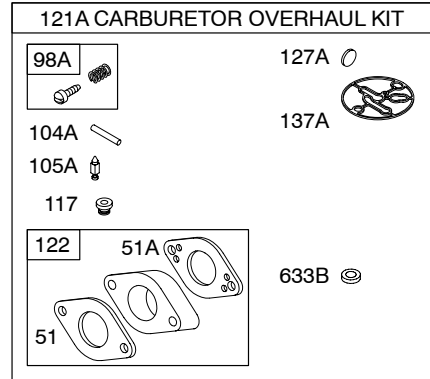
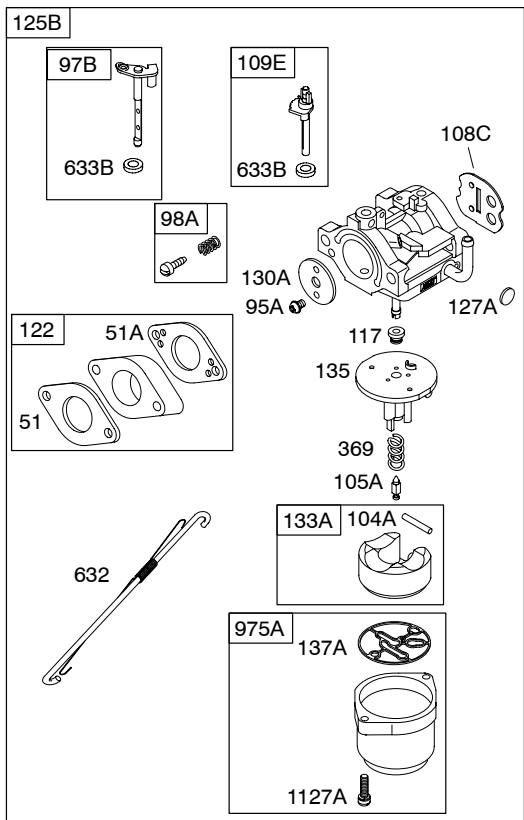
Assemblies include all parts shown in frames.

09/28/2005

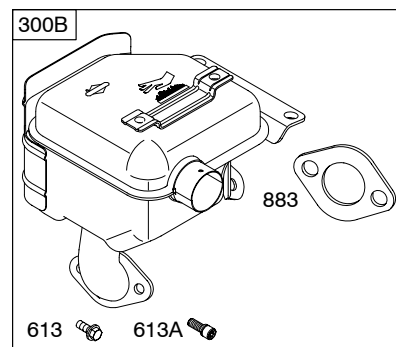
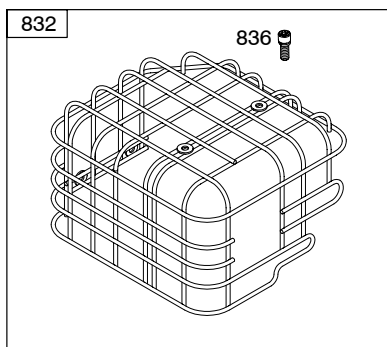
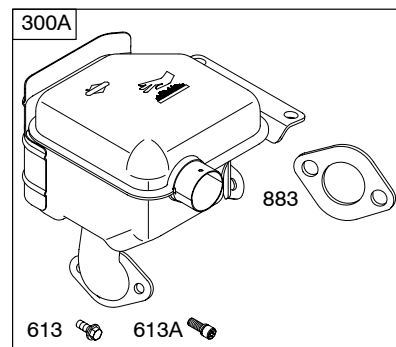
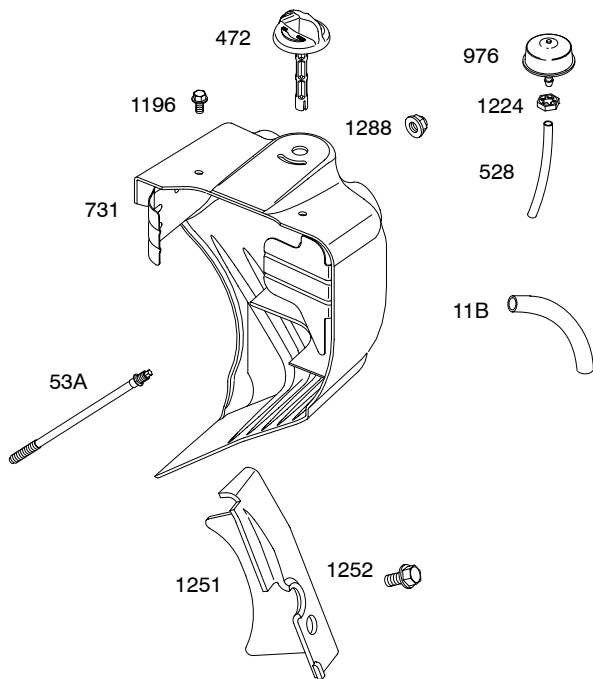


**Illustrations cover a range of engines. Parts shown without corresponding text are not used on this engine.**

# 20F400



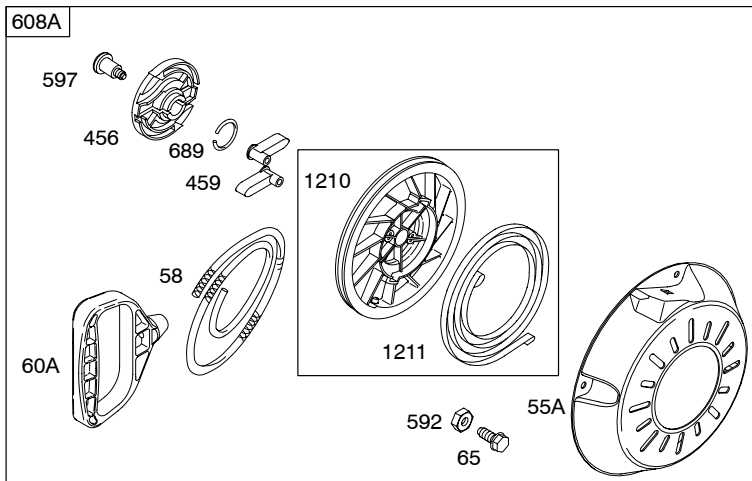
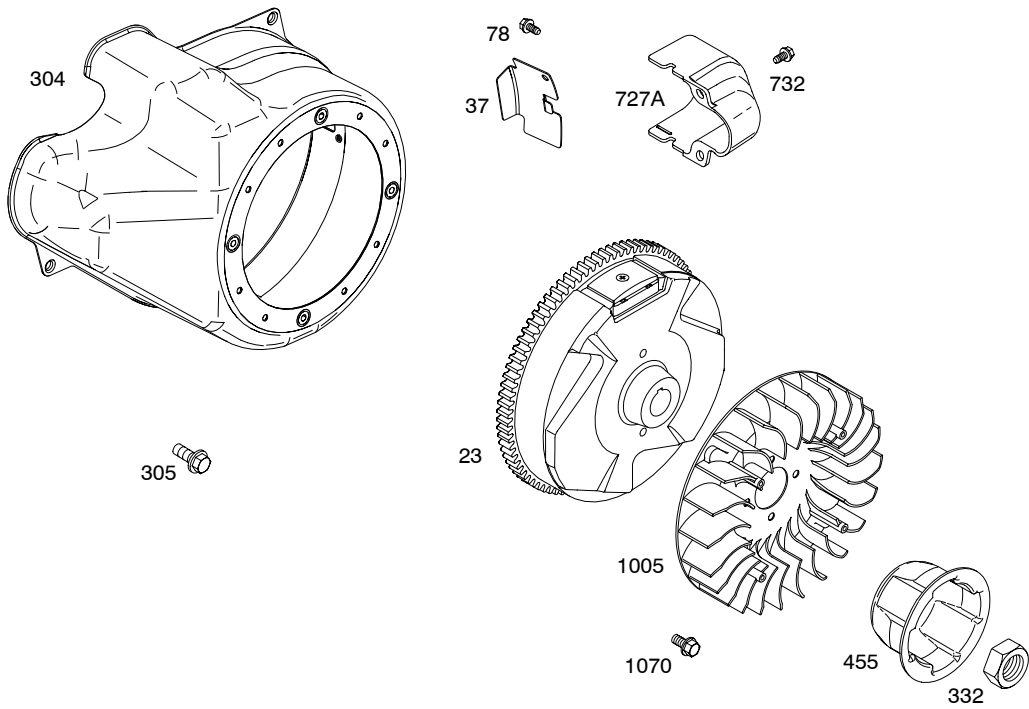
**Illustrations cover a range of engines. Parts shown without corresponding text are not used on this engine.**  
**6765-4** Assemblies include all parts shown in frames. **09/28/2005**



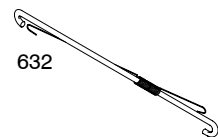
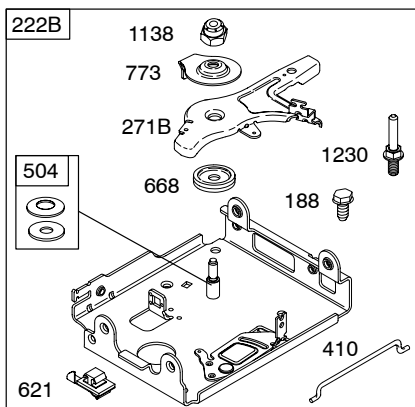
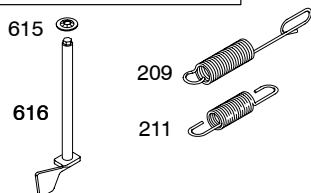
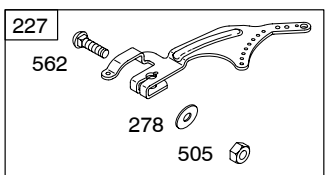
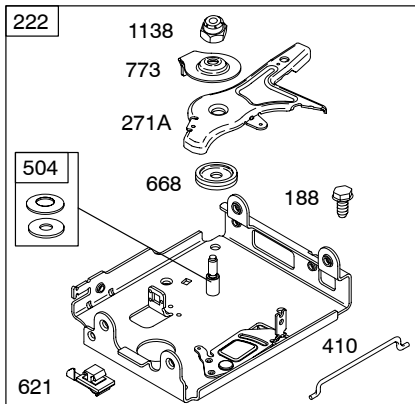
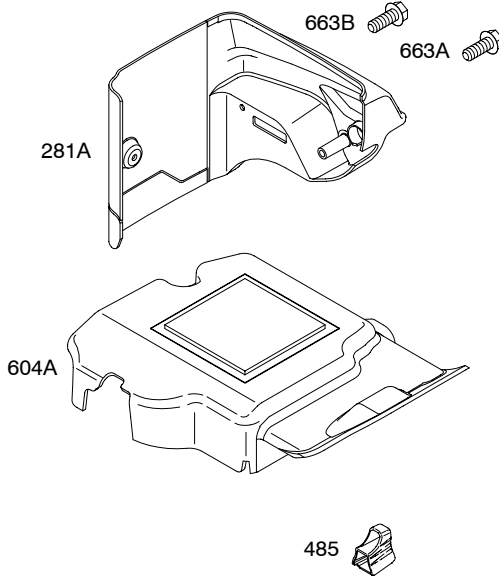
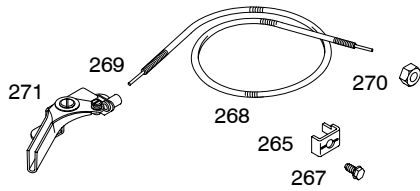
Illustrations cover a range of engines. Parts shown without corresponding text are not used on this engine.  
6765-5 Assemblies include all parts shown in frames. 09/28/2005

# 20F400

1036 EMISSION LABEL

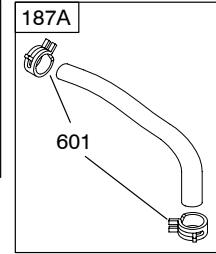
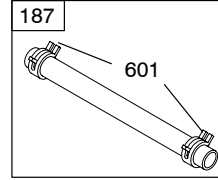
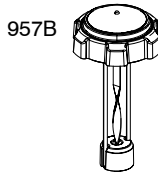
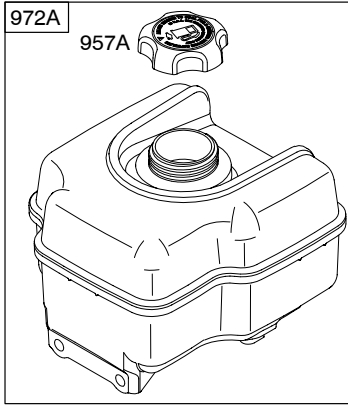


**Illustrations cover a range of engines. Parts shown without corresponding text are not used on this engine.**  
6765-6 Assemblies include all parts shown in frames. 09/28/2005

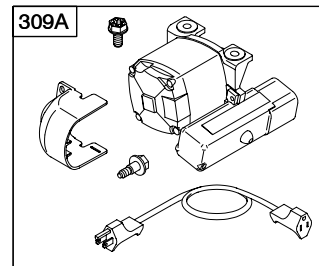
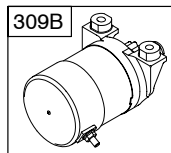
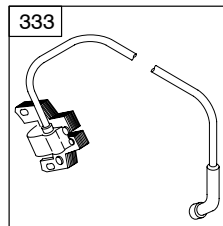
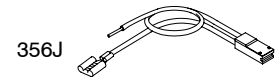
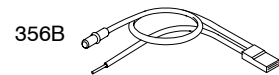
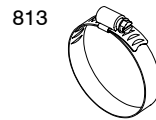
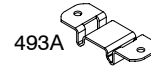


6765-7 **Illustrations cover a range of engines. Parts shown without corresponding text are not used on this engine.** Assemblies include all parts shown in frames. 09/28/2005

# 20F400



DC ONLY	DUAL CIRCUIT	10 - 16 AMP
<p><b>NOTE:</b> All stators use a No. 1119 mounting screw. </p> <p><b>NOTE:</b> The proper flywheel part number and/or the alternator magnet size will determine the alternator type or output. See repair instruction manual for additional information.</p>		



Illustrations cover a range of engines. Parts shown without corresponding text are not used on this engine.



REF. NO.	PART NO.	DESCRIPTION	REF. NO.	PART NO.	DESCRIPTION	REF. NO.	PART NO.	DESCRIPTION
1	696772	Cylinder Assembly	20	★391086	Seal-Oil (PTO Side)	40	499586	Retainer-Valve
2	698340	Kit-Bushing/Seal (Magneto Side)	21	281658	Cap-Oil Fill	42	499586	Keeper-Valve
3	★391086	Seal-Oil (Magneto Side)	22	695174	Screw (Crankcase Cover/ Sump)	45	690977	Tappet-Valve
5	697233	Head-Cylinder (Used After Code Date 01102800). ----- <b>Note</b> ----- 698040 Head-Cylinder (Used Before Code Date 01102900).	23	695485	Flywheel	46	790496	Camshaft
7	★Δ694872	Gasket-Cylinder Head	24	222698	Key-Flywheel	51	★Δ◆694874	Gasket-Intake
11B	696750	Tube-Breather	25	792117	Piston Assembly (Standard) ----- <b>Note</b> ----- 792144 Piston Assembly (.020" Oversize)	51A	★Δ◆694875	Gasket-Intake
12	★694953	Gasket-Crankcase	26	792026	Ring Set (Standard) (Used After Code Date 05081000) ----- <b>Note</b> ----- 694004 Ring Set (Standard) (Used Before Code Date 05081100) 792073 Ring Set (.020" Oversize) (Used After Code Date 05081000)	53A	696753	Stud (Carburetor)
13	690360	Screw (Cylinder Head)				55A	696710	Housing-Rewind Starter
15	691686	Plug-Oil Drain				58	693389	Rope-Starter (Cut to Required Length)
15B	695757	Plug-Oil Drain				60A	695740	Grip-Starter Rope
16	695369	Crankshaft ----- <b>Note</b> ----- 695462 Crankshaft Used on Type No(s). 0017, 0113, 0114.				65	695453	Screw (Rewind Starter)
17	695434	Bearing-Ball Used on Type No(s). 0113, 0114.				78	695724	Screw (Flywheel Guard) Used on Type No(s). 0100.
18	696914	Cover-Crankcase ----- <b>Note</b> ----- 698343 Cover- Crankcase Used on Type No(s). 0113, 0114.				95A	690718	Screw (Throttle Valve)
19	698340	Kit-Bushing/Seal (PTO Side)	27	690975	Lock-Piston Pin	97B	696387	Shaft-Throttle
			28	690229	Pin-Piston	98A	◆695408	Kit-Idle Speed
			29	694691	Rod-Connecting	104A	◆694918	Pin-Float Hinge
			30	694692	Dipper-Connecting Rod	105A	◆696136	Valve-Float Needle
			32	690976	Screw (Connecting Rod)	108C	696736	Valve-Choke
			33	499596	Valve-Exhaust	109E	696735	Shaft-Choke
			34	697464	Valve-Intake	117	◆696134	Jet-Main (Standard)
			35	694865	Spring-Valve (Intake)	118	696135	Jet-Main (High Altitude)
			36	694865	Spring-Valve (Exhaust)	121A	696146	Kit-Carburetor Overhaul (Nikki Carburetor)
			37	699047	Guard-Flywheel Used on Type No(s). 0100, 0105.	122	★Δ◆694876	Spacer-Carburetor
						125B	696737	Carburetor
						127A	◆690727	Plug-Welch
						130A	696139	Valve-Throttle
						133A	694914	Float-Carburetor
						135	696142	Tube-Fuel Transfer
						137A	◆◆695426	Gasket-Float Bowl
						146	690979	Key-Timing

★ Included in Engine Gasket Set-Ref. No.358.

● Included in Carburetor Overhaul Kit-Ref. No. 121 & 121A.

◆ Included in Carburetor Gasket Set-Ref. No. 977 & 977A.

Δ Included in Valve Gasket Set-Ref. No 1095.

**Illustrations cover a range of engines. Parts shown without corresponding text are not used on this engine.**

## 20F400

REF. NO.	PART NO.	DESCRIPTION	REF. NO.	PART NO.	DESCRIPTION	REF. NO.	PART NO.	DESCRIPTION
187	691050	Line-Fuel (Cut to Required Length)	281A	697400	Panel-Control (Used After Code Date 01102800).	309A	696611	Motor-Starter
187A	695429	Line-Fuel			----- <b>Note</b> -----	309B	790275	Motor-Starter Used on Type No(s). 0113.
188	690877	Screw (Control Bracket)			<b>696703</b> Panel-Control (Used Before Code Date 01102900).			----- <b>Note</b> -----
190	692127	Screw (Fuel Tank)	287	691693	Screw (Dipstick/Tube)			<b>698162</b> Motor-Starter Used on Type No(s). 0114.
192	690083	Adjuster-Rocker Arm				332	694685	Nut (Flywheel)
209	694867	Spring-Governor	300A	699211	Muffler	333	715231	Armature-Magneto
211	695307	Spring-Governor Idle	300B	699222	Muffler (Used After Code Date 03041300). Used on Type No(s). 0105, 0113, 0114.	334	691061	Screw (Magneto Armature)
219	693578	Gear-Governor			----- <b>Note</b> -----	337	491055	Plug Spark ----- <b>Note</b> -----
220	691724	Washer (Governor Gear)			<b>698160</b> Muffler (Used Before Code Date 03041400). Used on Type No(s). 0113.			<b>691043</b> Plug Spark Used on Type No(s). 0105.
222B	698034	Bracket-Control ----- <b>Note</b> ----- <b>698161</b> Bracket-Control Used on Type No(s). 0114.	304	791479	Housing-Blower (Used After Code Date 01102800) ----- <b>Note</b> ----- <b>791478</b> Housing-Blower (Used Before Code Date 01102900).	356B	699340	Wire-Stop Used on Type No(s). 0113, 0114.
227	694864	Lever-Governor Control ----- <b>Note</b> ----- <b>696637</b> Lever Governor Control Used on Type No(s). 0112.			<b>699339</b> Blower Housing Used on Type No(s). 0113, 0114.	356G	696748	Wire-Stop
265	691024	Clamp-Casing	305	691108	Screw (Blower Housing)	356J	696700	Wire-Stop
267	692577	Screw (Casing Clamp)				358	695438	Gasket Set-Engine
268	691025	Casing-Control Wire (Cut to Required Length)	306	697240	Shield-Cylinder (Used After Code Date 01102800). ----- <b>Note</b> -----	362	698041	Shield-Spark Plug
269	691026	Wire-Control (Cut to Required Length)			<b>694677</b> Shield-Cylinder (Used Before Code Date 01102900).	369	695422	Spring-Float Bowl
270	691027	Nut (Control Wire Casing)				383	19374	Wrench-Spark Plug
271A	695381	Lever Control Used on Type No(s). 0113, 0114.				410	695382	Link-Control
271B	698035	Lever-Control				415	691363	Plug
278	792008	Washer (Governor Control Lever)				415A	699337	Plug (Key Switch) Used on Type No(s). 0113, 0114.
						455	697226	Cup-Flywheel
						456	692299	Plate-Pawl Friction
						459	281505	Pawl-Ratchet
						472	696752	Knob-Choke Shaft
						474A	695730	Alternator (3 Amps DC)
						474B	696742	Alternator (Dual Circuit) Used on Type No(s). 0017, 0019, 0112.
						474D	695466	Alternator (10-16 Amp Regulated) Used on Type No(s). 0113, 0114.
						485	695755	Knob-Control

★ Included in Engine Gasket Set-Ref. No.358.

● Included in Carburetor Overhaul Kit-Ref. No. 121 & 121A.

◆ Included in Carburetor Gasket Set-Ref. No. 977 & 977A.

△ Included in Valve Gasket Set-Ref. No 1095.

**Illustrations cover a range of engines. Parts shown without corresponding text are not used on this engine.**

6765-10

Assemblies include all parts shown in frames.

09/28/2005

REF. NO.	PART NO.	DESCRIPTION	REF. NO.	PART NO.	DESCRIPTION	REF. NO.	PART NO.	DESCRIPTION
493A	691177	Bracket-Mounting Used on Type No(s). 0113.	635	710901	Boot-Spark Plug (Alternator)	813	690635	Clamp Used on Type No(s). 0113.
501	691185	Regulator Used on Type No(s). 0113.	663A	696685	Screw (Control Panel)	832	699223	Guard-Muffler
504	695383	Washer Set-Friction	663B	696704	Screw (Control Panel)	836	691003	Screw (Muffler Guard)
505	691251	Nut (Governor Control Lever)	668	694257	Spacer (Control Bracket)	842	691031	Seal-O Ring (Dipstick/Tube)
523	695344	Dipstick	689	691855	Spring-Friction	847	695342	Dipstick/Tube Assembly
524	691876	Seal-O Ring (Dipstick Tube)	697	698113	Screw (Drive Cap)	868	★△690968	Seal-Valve
525	695343	Tube-Dipstick	718	690959	Pin-Locating (Cylinder)	877	393814	Wire/Connector- Alternator
526	690297	Screw (Mounting Bracket)	718A	695178	Pin-Locating (Head)	877A	399916	Wire/Connector- Alternator
528	696751	Hose-Primer	725	696756	Shield-Heat	877C	393456	Wire/Connector- Alternator
529	791822	Grommet	727A	697465	Cover-Starter Drive Used on Type No(s). 0017, 0019, 0112, 0113, 0114.	883	★△695398	Gasket-Exhaust
552	694674	Bushing-Governor Crank	731	790222	Hood-Snow (Used After Code Date 01102800).	892A	★△696749	Switch-Key
562	691119	Bolt (Governor Control Lever)			----- <b>Note</b> -----	914	693732	Screw (Rocker Cover)
592	690800	Nut (Rewind Starter)			696755 Hood-Snow (Used Before Code Date 01102900).	930	696709	Guard-Rewind
597	691696	Screw (Pawl Friction Plate)	732	691097	Screw (Starter Drive Cover)	957A	694261	Cap-Fuel (Plastic)
601	95162	Clamp-Hose			Used on Type No(s). 0113, 0114.	957B	698109	Cap-Fuel (Gauge) Used on Type No(s). 0113, 0114.
604A	696758	Cover-Control	741	691288	Gear-Timing	958	698180	Valve-Fuel Shut Off (Plastic)
608A	699335	Starter-Rewind	742	692564	Retainer-E Ring	972A	694260	Tank-Fuel (Plastic)
613	695312	Screw (Muffler)	746	694679	Gear-Idler	975A	696138	Bowl-Float
613A	696705	Screw (Muffler)	773	694258	Retainer			
		(Torx Head)	798	697890	Screw (Rocker Arm)			
615	694676	Retainer-Governor Shaft						
616	694675	Crank-Governor						
621	692310	Switch-Stop						
632A	695917	Link-Throttle (Used With Nikki Carburetor)						
633B	◆690998	Seal-Choke/Throttle Shaft						

★ Included in Engine Gasket Set-Ref. No.358.

● Included in Carburetor Overhaul Kit-Ref. No. 121 & 121A.

◆ Included in Carburetor Gasket Set-Ref. No. 977 & 977A.

△ Included in Valve Gasket Set-Ref. No 1095.

**Illustrations cover a range of engines. Parts shown without corresponding text are not used on this engine.**

## 20F400

REF. NO.	PART NO.	DESCRIPTION	REF. NO.	PART NO.	DESCRIPTION	REF. NO.	PART NO.	DESCRIPTION
976	790221	Primer-Carburetor (Used After Code Date 04061500). ----- <b>Note</b> -----	1058	275697	Operator's Manual	1210	498144	Pulley/Spring Assembly (Pulley)
	695750	Primer-Carburetor (Used Before Code Date 04061600).	1070	691058	Screw (Flywheel Fan)	1211	498144	Pulley/Spring Assembly (Spring)
977A	696147	Gasket Set-Carburetor	1095	695440	Gasket Set-Valve	1224	696824	Nut (Carburetor Primer)
990A	695756	Key Set	1100	690973	Pivot-Rocker Arm	1230	696747	Stud (Control Bracket)
998A	696683	Pipe-Oil Used on Type No(s). 0112.	1119	691183	Screw (Alternator)	1251	696762	Shield-Snow
1005	694684	Fan-Flywheel	1127A	695407	Screw (Float Bowl)	1252	696763	Screw (Snow Shield)
1019	696745	Kit-Label ----- <b>Note</b> -----	1138	694255	Nut (Control Bracket)	1288	696757	Nut (Snow Hood)
	695751	Kit-Label Used on Type No(s). 0017, 0019, 0112, 0114.	1171	696754	Stud (Rocker Cover)	1330	272147	Repair Manual
1022	★△690971	Gasket-Rocker Cover	1194	691876	Seal-O Ring (Plug)	1351	790017	Stud (Cylinder Shield)
1023A	698042	Cover-Rocker Arm	1196	699166	Screw (Snow Hood) (Used After Code Date 03041300). ----- <b>Note</b> -----	1352	790026	Nut (Spark Plug Shield)
1026	695177	Rod-Push		696685	Screw (Snow Hood) (Used Before Code Date 03041400).			
1029	690972	Arm-Rocker						
1036		Label-Emissions (Available from an Authorized Briggs & Stratton Service Dealer)						

★ Included in Engine Gasket Set-Ref. No.358.

● Included in Carburetor Overhaul Kit-Ref. No. 121 & 121A.

◆ Included in Carburetor Gasket Set-Ref. No. 977 & 977A.

△ Included in Valve Gasket Set-Ref. No 1095.

**Illustrations cover a range of engines. Parts shown without corresponding text are not used on this engine.**

6765-12

Assemblies include all parts shown in frames.

09/28/2005