

19B400 to 19B499

Illustrated Parts List

Model Series

19B400 to 19B499

TYPE NUMBERS
0066, 0067, 0123,
0124, 0128.

TO FIND
THE CORRECT NUMBER OF THE PART YOU NEED:
FOLLOW THE INSTRUCTIONS BELOW

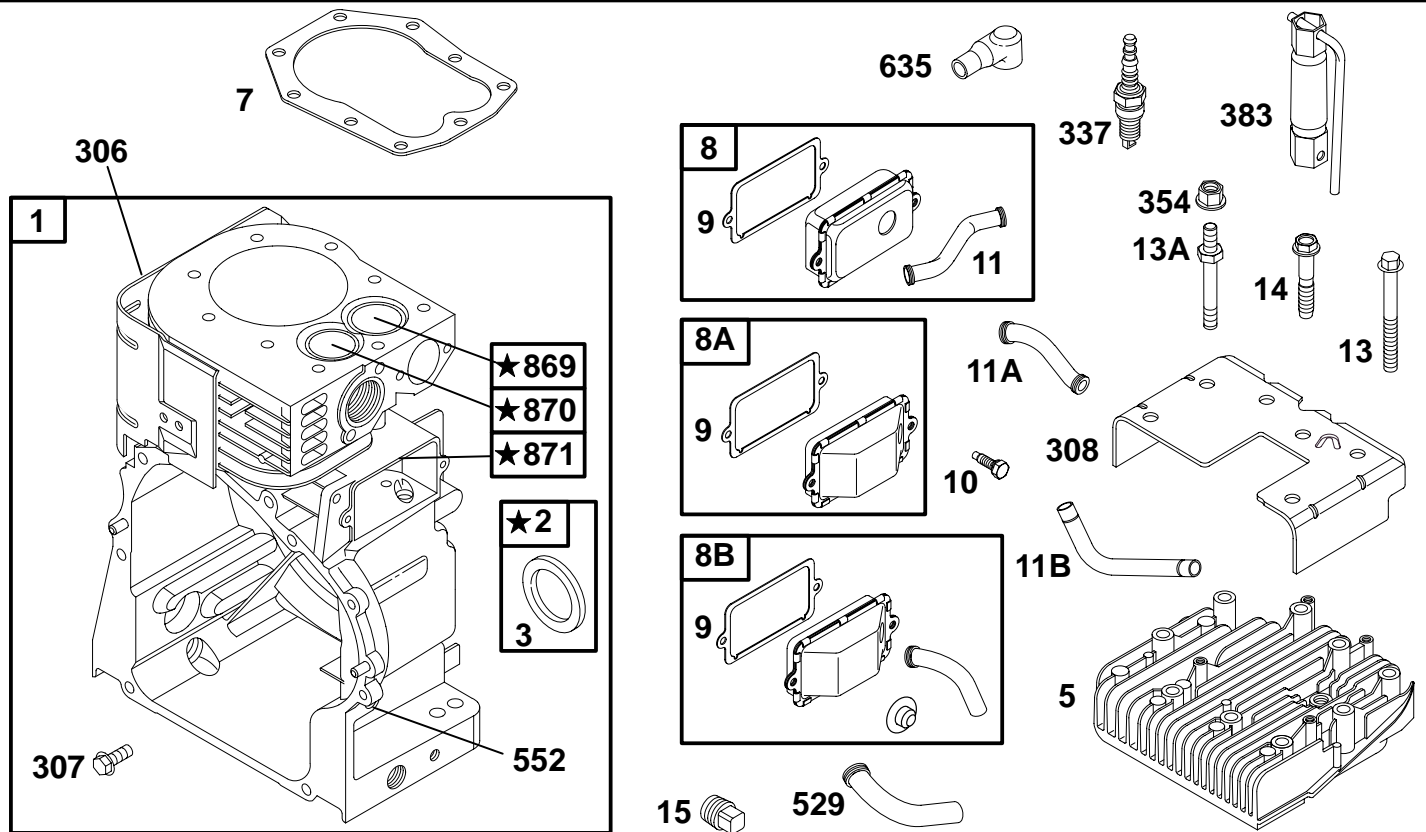
- A. Refer to Engine Model, Type and Code Number that is stamped on the blower housing of engine. Engine type numbers such as 0123 01 are listed only as 0123 in most instances. The two digits (01 or 02, etc.) to the right of the space may be required for more accurate parts identification in some instances. Select the Illustrated Parts List covering the correct Model Series and Type Number.
- B. Refer to the Illustrations and compare the original part with Illustration. The number next to the illustration is the Reference Number. Assemblies include all parts shown in frames. All parts shown in assembly frames having individual reference numbers can be purchased separately.
- C. After the Reference Number has been identified, refer to the Numerical text, where Reference and Primary Part Number are listed. **THE PRIMARY PART IS USED ON ALL TYPE NUMBERS EXCEPT THOSE TYPE NUMBERS UNDER "NOTE."**
- D. If a "Note" appears below the Primary Part Number, it means that this part differs from the Primary Part for certain types. If your Type number is listed under "Note," order the part referred to at the "Note."
- E. If your Engine Type Number does not appear after any part number listed under "Note," use the Primary Part Number.
- F. For Engine Type Numbers not covered by this book, check other Parts Lists having the same engine model or contact your source of supply.

PRINTED IN U.S.A.



COPYRIGHT by BRIGGS & STRATTON CORPORATION
All rights reserved. No part of this material may be reproduced or transmitted, in any form or by any means, electronic or mechanical, including photocopying, recording or by any information storage and retrieval system, without permission in writing from Briggs & Stratton Corporation.

19B400 to 19B499



1058 OWNER'S MANUAL

1019 LABEL KIT

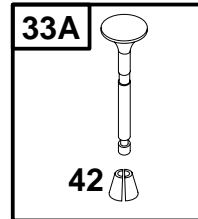
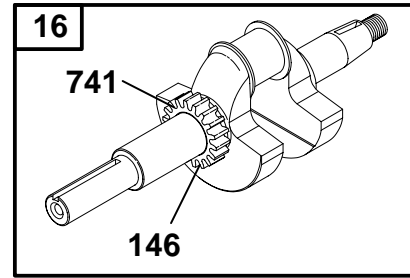
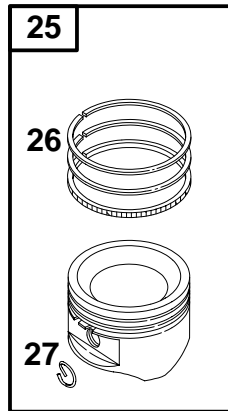
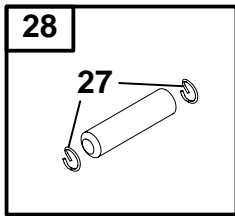
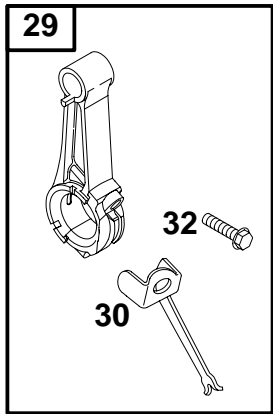
★ REQUIRES SPECIAL TOOLS TO INSTALL. SEE REPAIR INSTRUCTION MANUAL.

REF. NO.	PART NO.	DESCRIPTION	REF. NO.	PART NO.	DESCRIPTION	REF. NO.	PART NO.	DESCRIPTION
1	495656	Cylinder Assembly (Includes OIL GARD® Cover)	11B	281426	Tube-Breather (Used Before Code Date 94111100).	529	281367	Grommet (Used Before Code Date 94111100).
2	495657	Bushing	13	94565	Screw-Hex.	552	491986	Bushing-Gov. Crank
3	★391086	Seal-Oil	13A	94733	Stud-Hex. Drive (Used in Positions 5 & 6)	635	66538	Boot-Spark Plug
5	214347	Head-Cylinder		94931	Stud-Hex. Drive (Used in Positions 1 & 2) Used on Type No(s). 0123.	869	211661	Seat-Valve (Intake)
7	★Ø272163	Gasket-Cylinder Head	14	94622	Screw-Hex.	870	262924	Seat-Valve (Exhaust)
8	498038	Breather Assembly (Used After Code Date 95040200).	15	94239	Plug-Oil Drain Note 92738 Plug-Oil Drain (Magnetic)	871	261961	Bushing-Guide (Exhaust)
8A	495736	Breather Assembly (Used After Code Date 95010100 and Before Code Date 95040300).						Note 231218 Bushing-Guide (Intake)
8B	497710	Breather Kit (Used Before Code Date 95010200).	306	496797	Shield-Cylinder	1019	491193	Label Kit
9	★Ø27803	Gasket-Breather	307	94386	Screw-Hex.	1058	272848	Owner's Manual
10	94621	Screw-Hex.	308	225055	Cover-Cylinder			
11	280819	Tube-Breather (Used After Code Date 95040200).	337	496018	Plug-Spark			
11A	280225	Tube-Breather (Used After Code Date 95010100 and Before Code Date 95040300).	354	94726	Nut-Hex.			
			383	89838	Wrench-Spark Plug			

★ Included in Gasket Set-Part No. 497070.
 ● Included in Carburetor Kit-See Ref. No. 121.

◆ Included in Carburetor Gasket Set-Part No. 497069.
 Ø Included in Valve Overhaul Gasket Set-Part No. 498534.

19B400 to 19B499

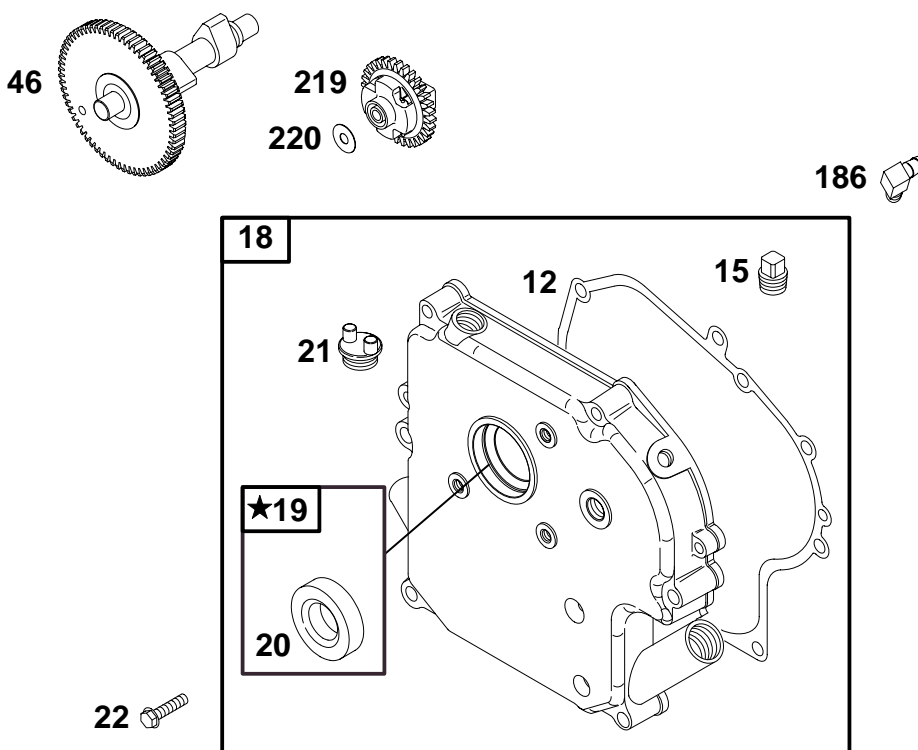


REF. NO.	PART NO.	DESCRIPTION	REF. NO.	PART NO.	DESCRIPTION	REF. NO.	PART NO.	DESCRIPTION		
16	495790	Crankshaft	28	499302	Pin-Piston (Standard)	36	26828	Spring-Valve (Exhaust) (Used Before Code Date 95041700).		
25	393868	Piston Assembly (Standard)			Note _____	40	221596	Retainer-Valve (Intake)		
		Note _____			295840 Pin-Piston (Standard) (Used Before Code Date 96102800)			Note _____		
		393869 Piston Assy. (.010" O.S.)			499303 Pin-Piston (.005" O.S.)			221596 Retainer-Valve (Used on Exhaust Side) (Used After Code Date 95041600).		
		393879 Piston Assy. (.020" O.S.)	29	390401	Rod-Connecting (Standard)	41	292260	Retainer-Valve (Exhaust) (Used Before Code Date 95041700).		
		393880 Piston Assy. (.030" O.S.)			390773 Rod-Conn. (.020" Undersize)	42	494553	Keeper-Valve (Exhaust) (Used Before Code Date 95041700).		
26	393881	Ring Set (Standard)	30	222113	Dipper-Connecting Rod	45	260933	Tappet-Valve		
		Note _____	32	94670	Screw-Connecting Rod.	146	94388	Key-Timing		
		299743 Ring Set (Std., Chrome)	33	263017	Valve-Exhaust (Used After Code Date 95041600).	741	263025	Gear-Timing		
		393882 Ring Set (.010" O.S.)	33A	390419	Valve-Exhaust (Used Before Code Date 95041700).			Note _____		
		393883 Ring Set (.020" O.S.)			34	261055	Valve-Intake	262479 Gear-Timing (Used Before Code Date 96061700).		
		393884 Ring Set (.030" O.S.)	34	261055	Valve-Intake	35	65906	Spring-Valve (Intake) (Used After Code Date 95041600).		
27	263181	Lock-Piston Pin						868	497212	Seal-Valve
		Note _____								
		68546 Lock-Piston Pin (Used Before Code Date 96102800).								

★ Included in Gasket Set-Part No. 497070.
● Included in Carburetor Kit-See Ref. No. 121.

◆ Included in Carburetor Gasket Set-Part No. 497069.
⊘ Included in Valve Overhaul Gasket Set-Part No. 498534.

19B400 to 19B499

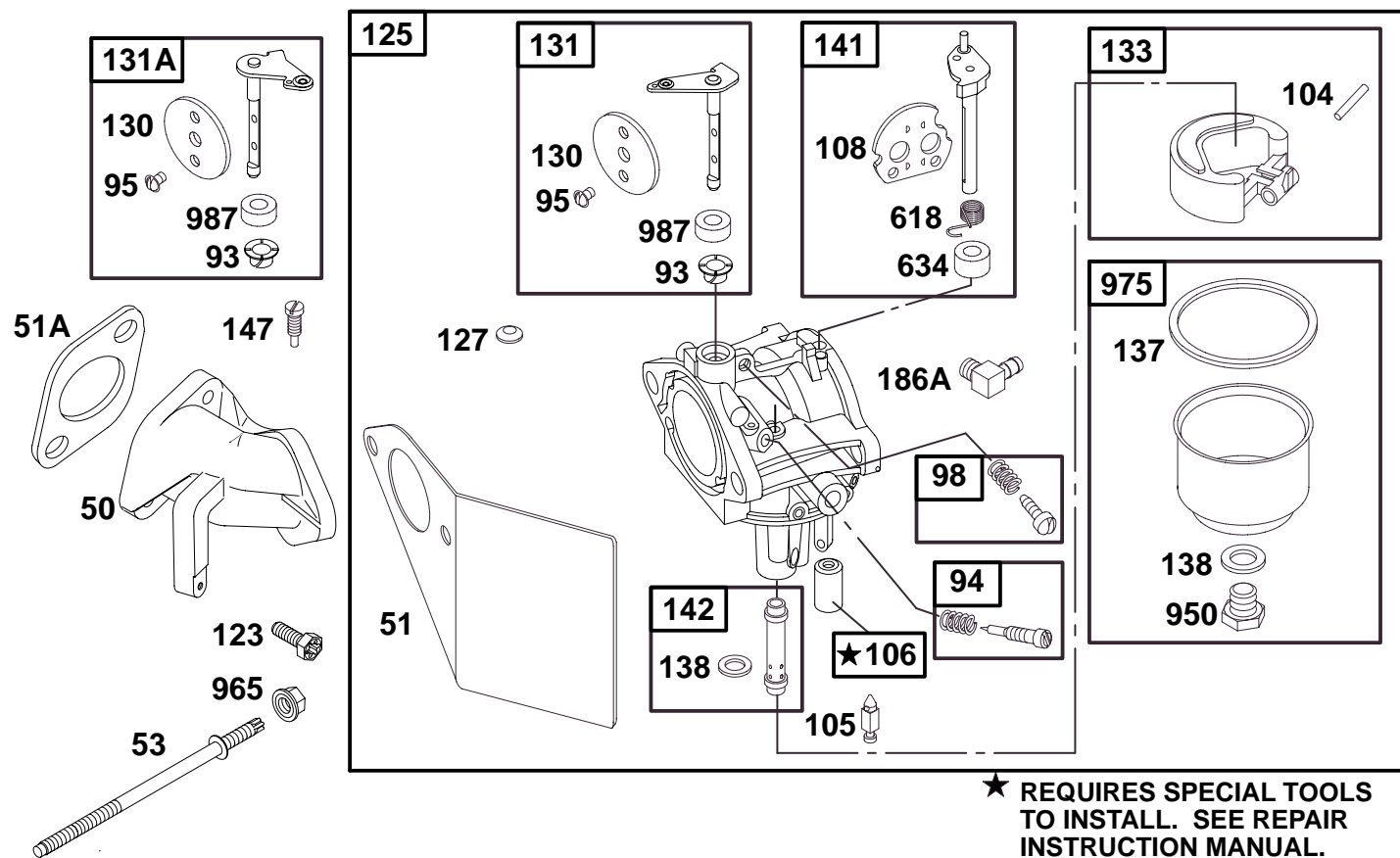


REF. NO.	PART NO.	DESCRIPTION	REF. NO.	PART NO.	DESCRIPTION	REF. NO.	PART NO.	DESCRIPTION
12	★271701	Gasket-Crankcase (.015" Thick, Std.) Note ★27876 Gasket-Crankcase (.005" Thick) ★27877 Gasket-Crankcase (.009" Thick)	15	91488	Plug-Oil	186	230318	Connector-Hose Note 67218 Connector-Hose (Used Before Code Date 94071800).
			18	496984	Cover-Crankcase	219	497037	Gear-Governor
			19	295964	Bushing	220	221551	Washer-Thrust
			20	★391086	Seal-Oil			
			21	66768	Cap-Oil Fill			
			22	93585	Screw-Hex			
			46	211689	Gear-Cam			

★ Included in Gasket Set-Part No. 497070.
● Included in Carburetor Kit-See Ref. No. 121.

◆ Included in Carburetor Gasket Set-Part No. 497069.
⊗ Included in Valve Overhaul Gasket Set-Part No. 498534.

19B400 to 19B499



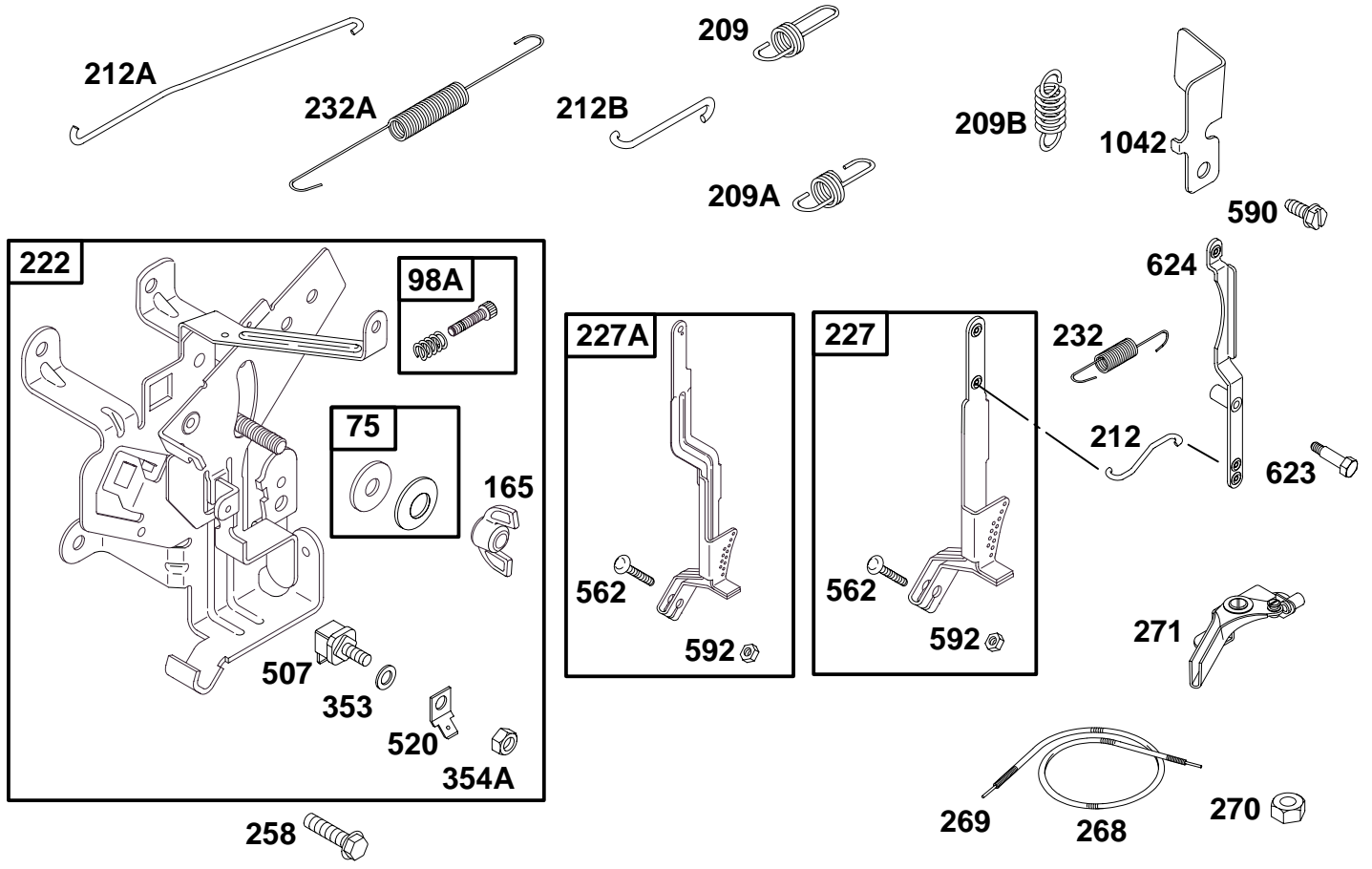
★ REQUIRES SPECIAL TOOLS TO INSTALL. SEE REPAIR INSTRUCTION MANUAL.

REF. NO.	PART NO.	DESCRIPTION	REF. NO.	PART NO.	DESCRIPTION	REF. NO.	PART NO.	DESCRIPTION
50	214170	Manifold-Intake	131	497579	Throttle Shaft Kit (Used After Code Date 94083100).	186A	493496	Connector-Hose
51	★272708	Gasket-Intake				618	●262803	Spring
51A	○★272707	Gasket-Intake	131A	497042	Throttle Shaft Kit (Used Before Code Date 94090100).	634	●281168	Seal-Choke Shaft
53	94778	Stud-Carb. Mounting				950	94642	Screw-Bowl Mounting
93	●281346	Bushing-Throttle Shaft				965	94010	Nut-Hex.
94	494383	Valve-Idle Adjustment				975	494378	Bowl-Float
95	●94098	Screw-Round Head				987	●281166	Seal-Throttle Shaft
98	495800	Screw-Idle Speed	133	494381	Float-Carburetor			
104	●231789	Pin-Float Hinge	137	●●281165	Gasket-Float Bowl			
105	●231935	Valve-Needle	138	●●281164	Washer			
106	●231856	Seat-Inlet	141	497043	Choke-A Shaft Kit (Standard Used on LMT 171)			
108	224540	Valve-Choke	142	499094	Nozzle-Carburetor			
123	94913	Screw-Torx® Hex.						
125	497581	Carburetor (Used on LMT 171)						
		Note						
		497038 Carburetor (Used on LMT 69, 103)						
127	●	Plug-Welch (Sold in Kit Only)						
130	224668	Valve-Throttle						
			147	●497472	Jet-Pilot			

★ Included in Gasket Set-Part No. 497070.
● Included in Carburetor Kit-See Ref. No. 121.

◆ Included in Carburetor Gasket Set-Part No. 497069.
○ Included in Valve Overhaul Gasket Set-Part No. 498534.

19B400 to 19B499



REF. NO.	PART NO.	DESCRIPTION	REF. NO.	PART NO.	DESCRIPTION	REF. NO.	PART NO.	DESCRIPTION
75	495659	Washer Set	212B	263051	Link-Throttle	258	94620	Screw-Hex.
98A	493280	Screw-Idle Speed	222	499106	Bracket-Control (Used After Code Date 97042700). ———— Note ———— 499724 Bracket-Control (Used Before Code Date 97042800).	268	65616	Casing-Wire (72" Long Cut to Required Length)
165	94692	Nut-Wing				269	26633	Wire-Control (78" Long Cut to Required Length)
209	263213	Spring-Governor (Used After Code Date 97042700).	227	499096	Lever-Governor (Used After Code Date 97042700). ———— Note ———— 496254 Lever-Governor (Used Before Code Date 97042800).	270	63426	Locknut-Casing
209A	263054	Spring-Governor (Used After Code Date 94083100 and Before Code Date 97042800). Used on Type No(s). 0066, 0067, 0123, 0124, 0128.				271	290568	Lever-Control
209B	260723	Spring-Governor (Used Before Code Date 94090100). Used on Type No(s). 0066, 0067, 0123.	227A	496253	Lever-Governor	353	92791	Washer-Lock
212	263049	Link-Throttle	232	263020	Spring-Link	354A	90576	Nut-Hex.
212A	262970	Link-Throttle	232A	262959	Spring-Link	507	398525	Insulator
						520	93722	Terminal
						562	92613	Bolt-Governor Lever
						590	94995	Screw-Slotted Hex.
						592	231082	Nut-Hex.
						623	231520	Screw-Shoulder
						624	497207	Lever-Linkage
						1042	225224	Bracket-Electro Mag

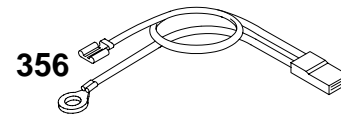
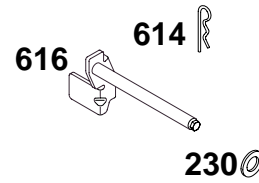
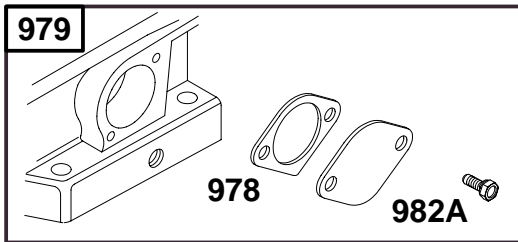
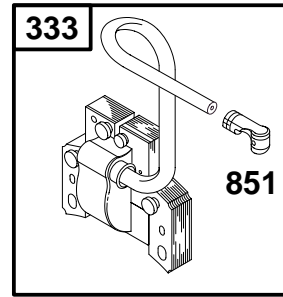
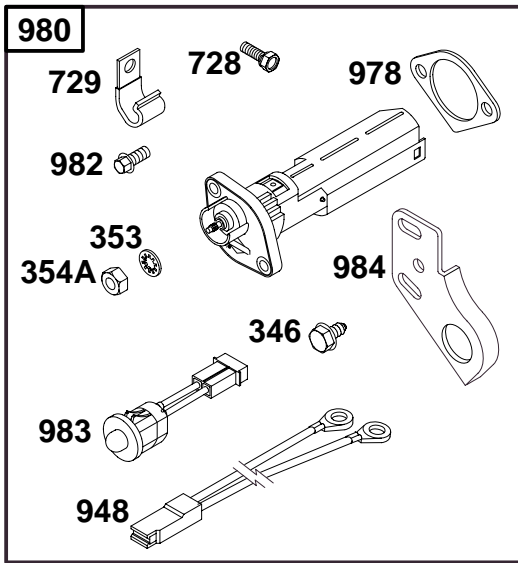
★ Included in Gasket Set-Part No. 497070.

● Included in Carburetor Kit-See Ref. No. 121.

◆ Included in Carburetor Gasket Set-Part No. 497069.

⊘ Included in Valve Overhaul Gasket Set-Part No. 498534.

19B400 to 19B499

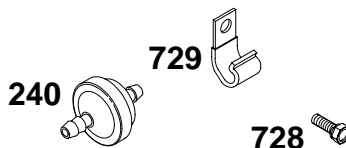
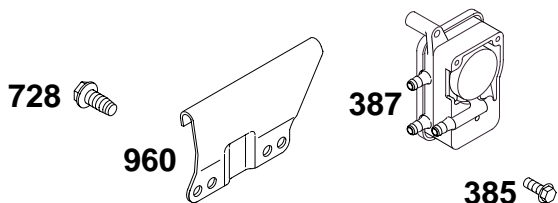
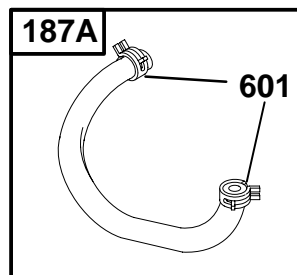
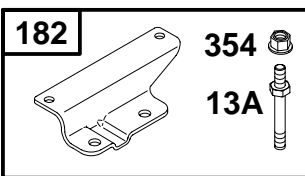
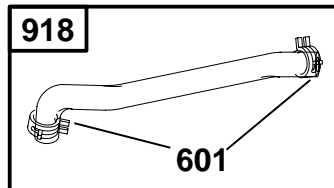
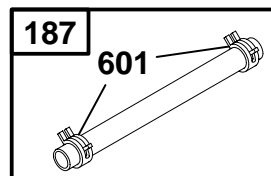
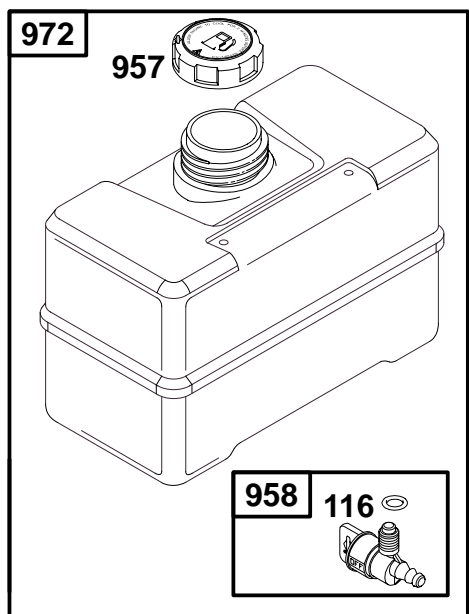


REF. NO.	PART NO.	DESCRIPTION	REF. NO.	PART NO.	DESCRIPTION	REF. NO.	PART NO.	DESCRIPTION
230	94742	Washer	614	93306	Pin-Cotter	979	494807	Cover-OIL GARD®
333	492341	Armature-Magneto	616	496818	Crank-Governor	980	398182	OIL GARD® Kit
334	94731	Screw-Hex.	728	94627	Screw-Hex.	982	94657	Screw-Hex.
346	93705	Screw-Hex.	729	223528	Clip-Wire	982A	94658	Screw-Hex.
353	92791	Washer-Lock	851	493880	Terminal-Cable	983	398660	Light-Indicator
354A	90576	Nut-Hex.	948	398661	Harness-Wiring	984	223773	Bracket-Stop Switch
356	491391	Wire-Stop	978	★271736	Gasket			

★ Included in Gasket Set-Part No. 497070.
● Included in Carburetor Kit-See Ref. No. 121.

◆ Included in Carburetor Gasket Set-Part No. 497069.
⊘ Included in Valve Overhaul Gasket Set-Part No. 498534.

19B400 to 19B499

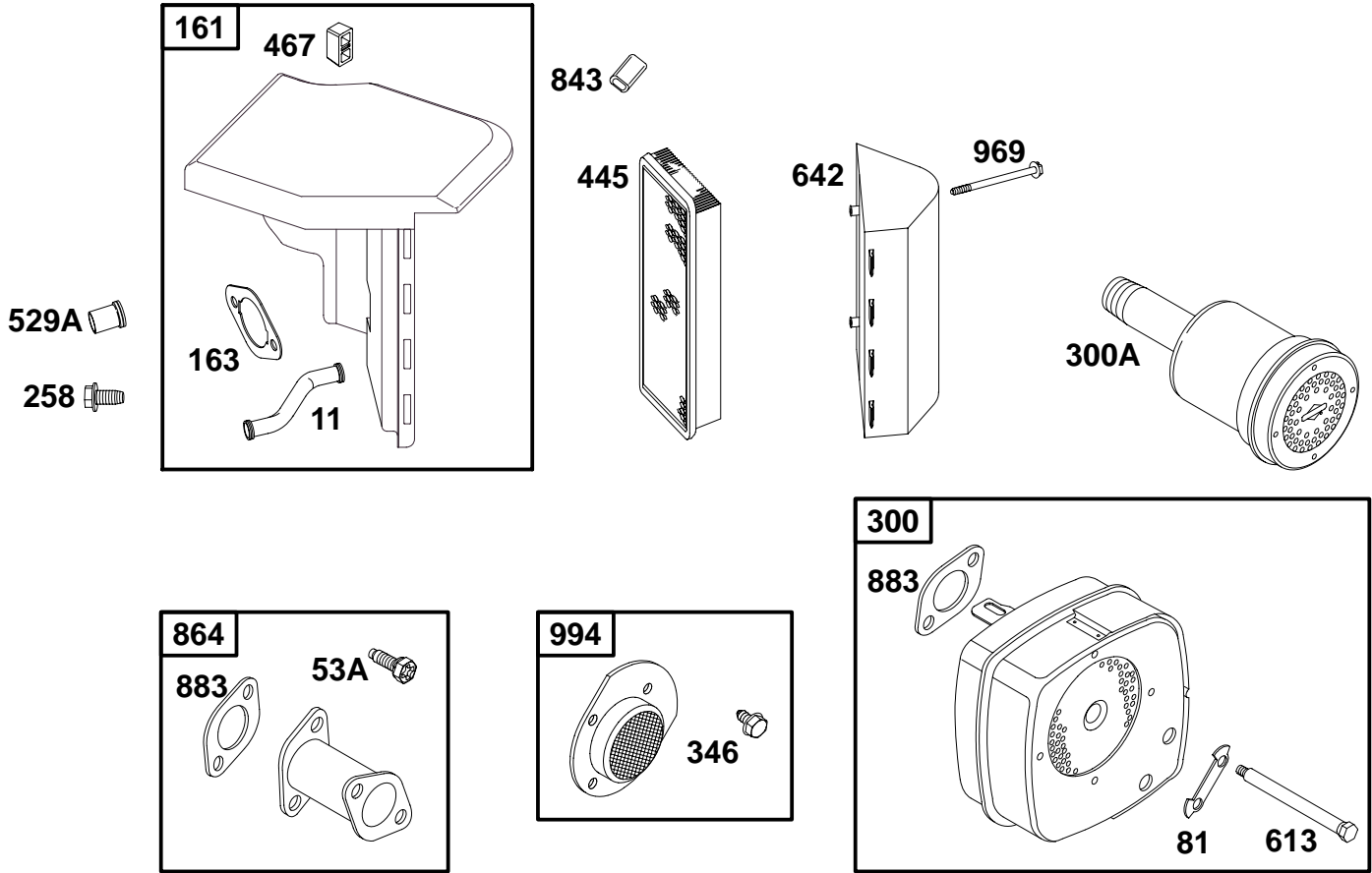


REF. NO.	PART NO.	DESCRIPTION	REF. NO.	PART NO.	DESCRIPTION	REF. NO.	PART NO.	DESCRIPTION
13A	94733	Stud-Hex. Drive	354	94726	Nut-Hex.	957	493988	Cap-Fuel Tank (Plastic)
116	280203	Seal-O-Ring	385	94789	Screw-Hex.	958	399517	Valve-Shut-Off
182	495664	Bracket-Fuel Tank	387	496257	Pump-Fuel	960	492990	Bracket-Fuel Tank
187	296004	Line-Fuel (Cut to Required Length)	601	93053	Clamp-Hose	961	94095	Screw-Hex.
187A	497029	Line-Fuel	728	94627	Screw-Hex.	972	493337	Tank-Fuel (Plastic)
240	394358	Filter-Fuel	729	223528	Clip-Wire			
			918	497457	Hose-Vacuum			

★ Included in Gasket Set-Part No. 497070.
 ● Included in Carburetor Kit-See Ref. No. 121.

◆ Included in Carburetor Gasket Set-Part No. 497069.
 ∅ Included in Valve Overhaul Gasket Set-Part No. 498534.

19B400 to 19B499

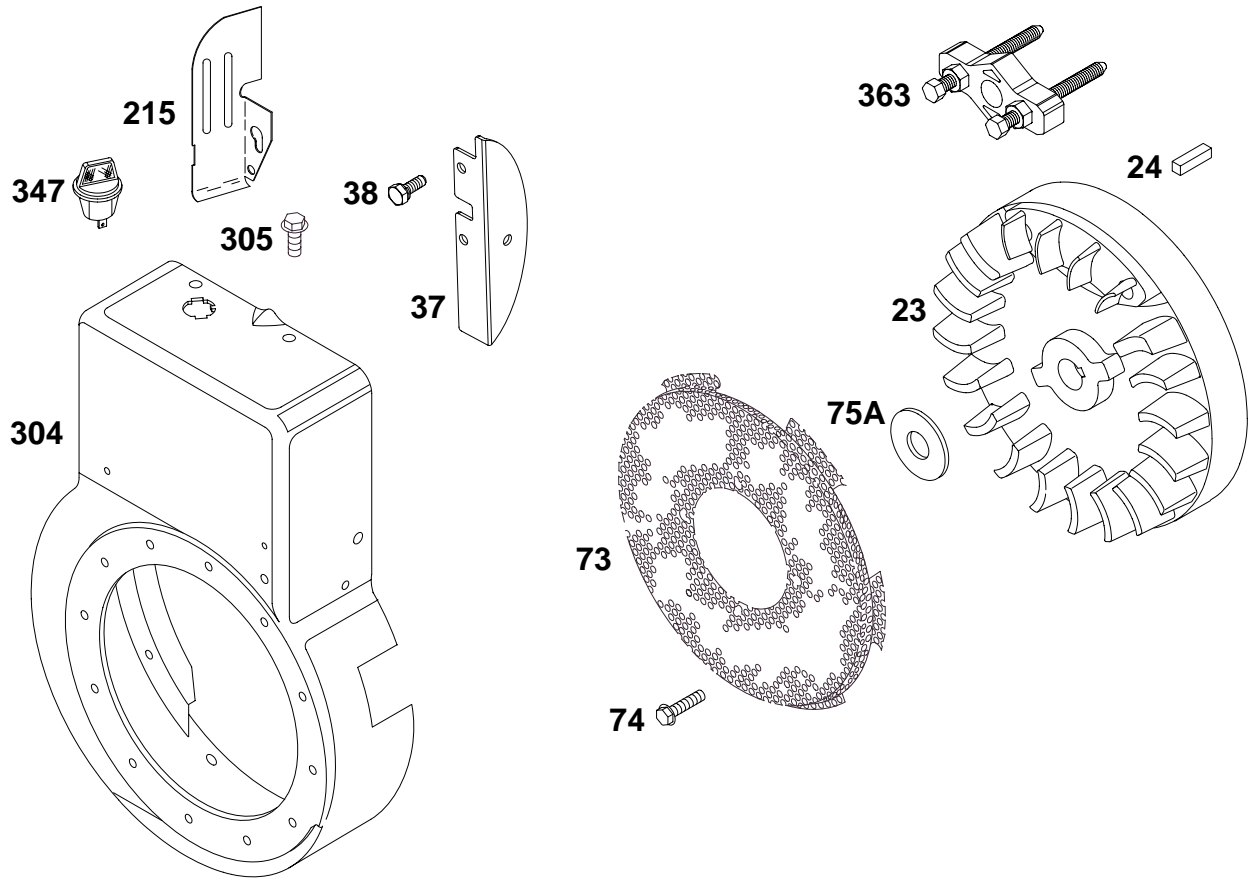


REF. NO.	PART NO.	DESCRIPTION	REF. NO.	PART NO.	DESCRIPTION	REF. NO.	PART NO.	DESCRIPTION
11	280819	Tube-Breather	258	94620	Screw-Hex	613	94042	Screw-Shoulder
53A	94706	Screw-Torx®Hex	300	391370	Muffler-Exhaust	642	281357	Cover-Air Cleaner
81	222263	Lock-Muffler Screw	300A	496127	Muffler-Exhaust	843	280149	Sleeve-Lever
161	497669	Base-Air Cleaner	346	93705	Screw-Hex	864	497140	Adapter-Muffler
		Note	445	496077	Filter-Air	883	★Ø272309	Gasket-Exhaust
		498544 Base-Air Cleaner	467	280715	Knob-Control	969	94777	Screw-Slotted Hex.
		(Used Before Code Date 95010200).	529A	281426	Tube-Breather	994	399541	Arrester-Spark
		163 ★Ø272706 Gasket-Air Cleaner			(Used Before Code Date 94111100).			

★ Included in Gasket Set-Part No. 497070.
 ● Included in Carburetor Kit-See Ref. No. 121.

◆ Included in Carburetor Gasket Set-Part No. 497069.
 Ø Included in Valve Overhaul Gasket Set-Part No. 498534.

19B400 to 19B499

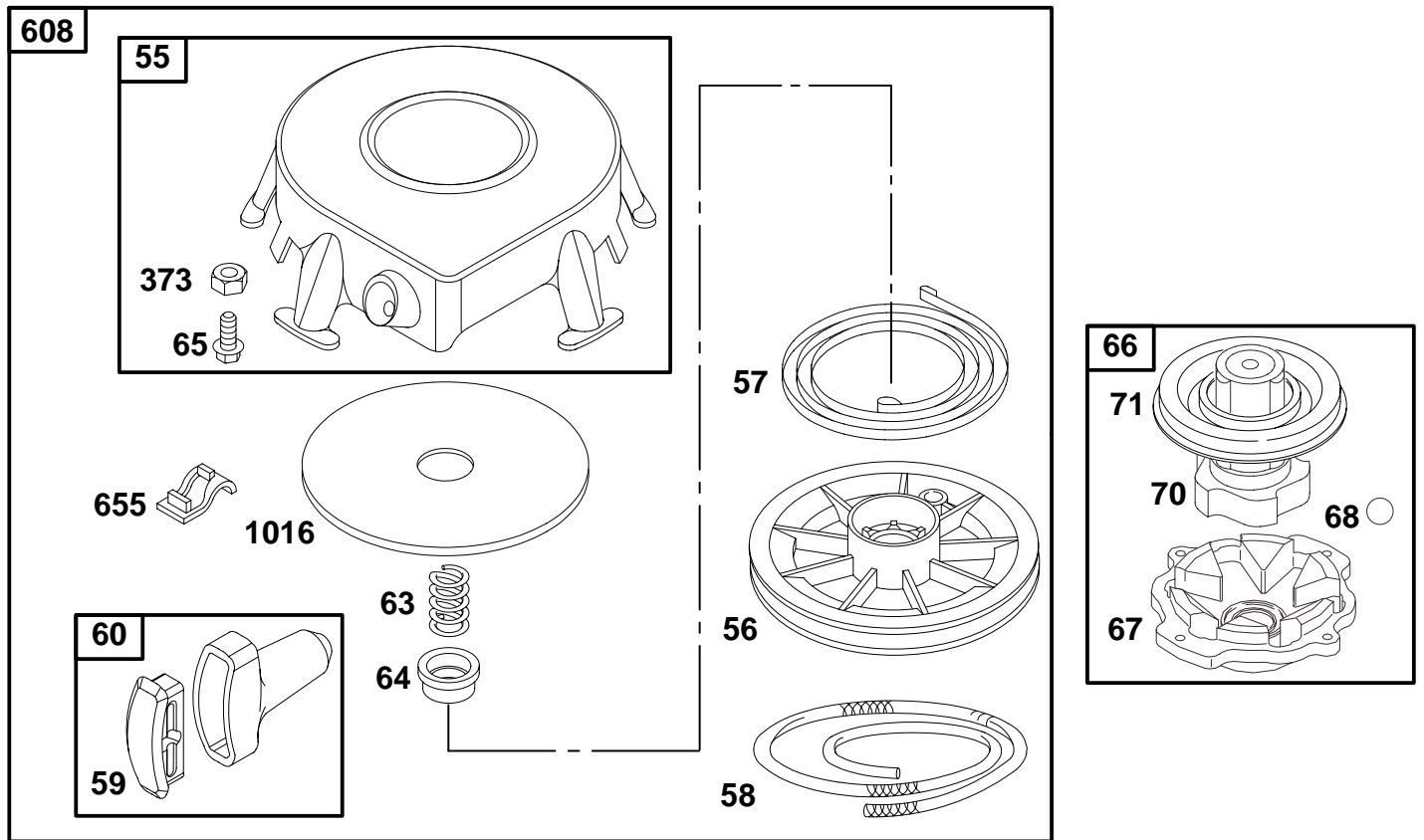


REF. NO.	PART NO.	DESCRIPTION	REF. NO.	PART NO.	DESCRIPTION	REF. NO.	PART NO.	DESCRIPTION
23	298260	Flywheel	73	224874	Screen-Rotating	304	491596	Housing-Blower
24	222698	Key-Flywheel	74	93758	Screw-Hex.	305	94786	Screw-Hex.
37	222475	Guard-Flywheel	75A	224061	Washer-Flywheel	347	396691	Switch-Rotary
38	94811	Screw-Hex.	215	221760	Guide-Air	363	19203	Flywheel Puller

★ Included in Gasket Set-Part No. 497070.
 ● Included in Carburetor Kit-See Ref. No. 121.

◆ Included in Carburetor Gasket Set-Part No. 497069.
 ∅ Included in Valve Overhaul Gasket Set-Part No. 498534.

19B400 to 19B499

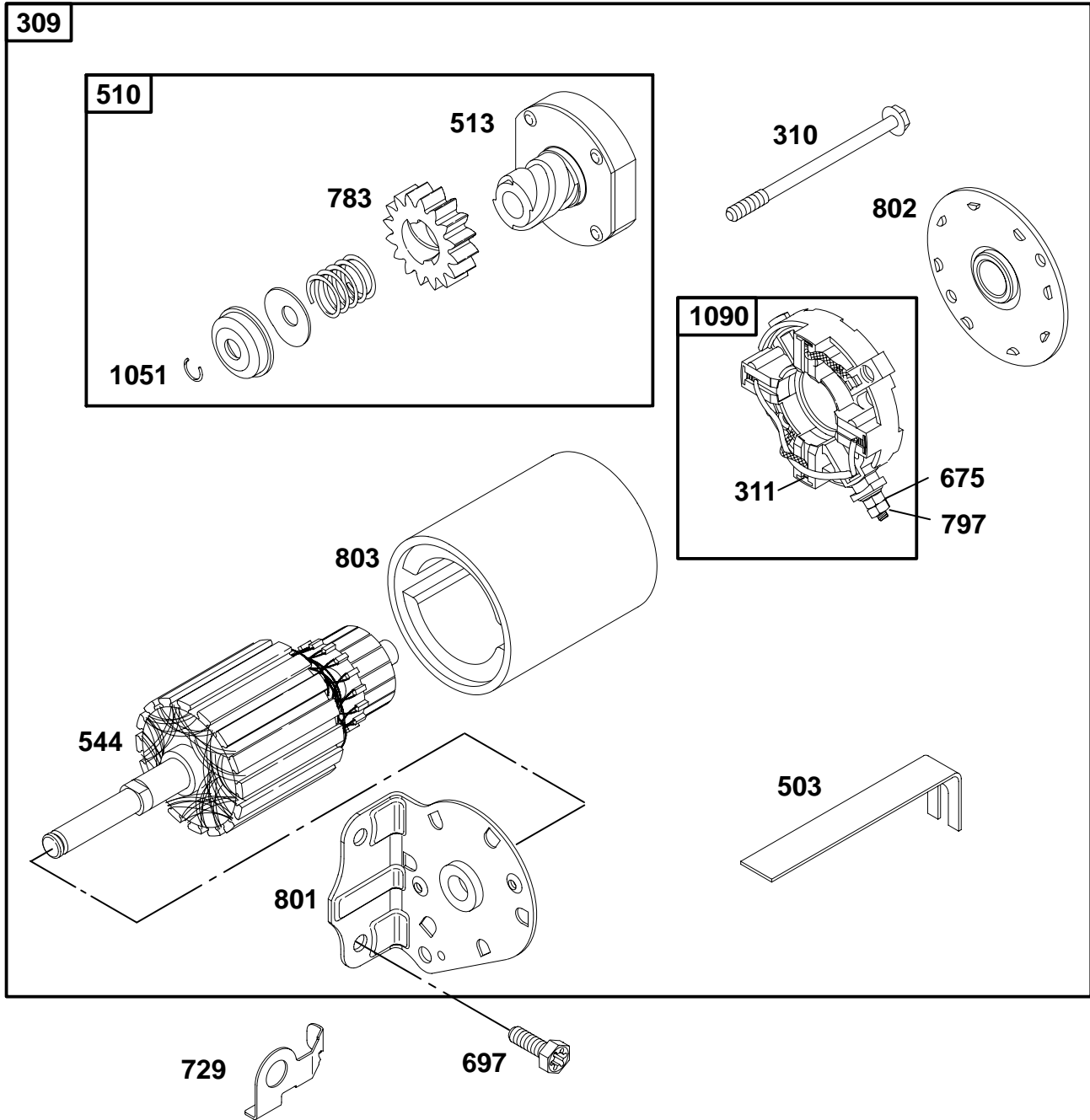


REF. NO.	PART NO.	DESCRIPTION	REF. NO.	PART NO.	DESCRIPTION	REF. NO.	PART NO.	DESCRIPTION
55	393576	Housing—Rewind Starter	60	490652	Grip—Starter Rope	70	298799	Ratchet—Clutch
56	295871	Pulley—Starter	63	260414	Spring—Ratchet	71	394506	Cover—Ratchet
57	490179	Spring—Rewind Starter	64	281204	Adapter—Spring	373	92987	Nut—Hex.
58	66884	Rope—Starter (63" Long)	65	94128	Screw—Hex.	608	390391	Starter—Rewind
59	490653	Insert—Grip	66	399671	Clutch—Starter	655	222598	Anchor—Spring
			67	394897	Housing—Clutch	1016	490817	Spacer—Rewind
			68	63770	Ball—Clutch			

★ Included in Gasket Set—Part No. 497070.
● Included in Carburetor Kit—See Ref. No. 121.

◆ Included in Carburetor Gasket Set—Part No. 497069.
⊘ Included in Valve Overhaul Gasket Set—Part No. 498534.

19B400 to 19B499

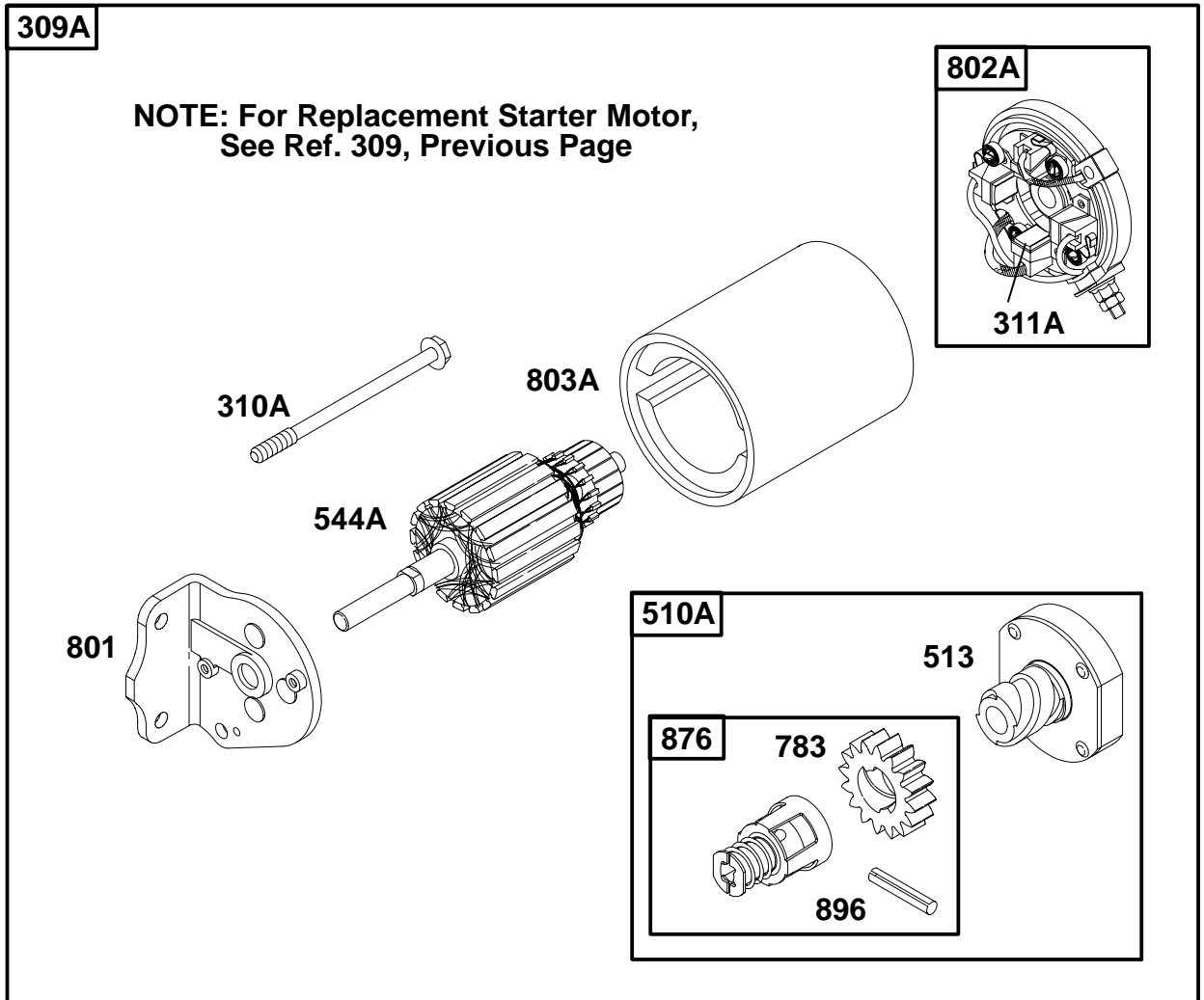


REF. NO.	PART NO.	DESCRIPTION	REF. NO.	PART NO.	DESCRIPTION	REF. NO.	PART NO.	DESCRIPTION
309	693054	Motor-Starter (3 5/8" Housing Lgth.)	544	497603	Armature-Starter (3 5/8" Housing Lgth.)	797	92278	Nut (Starter Terminal)
310	94003	Bolt (Starter Motor) (3 5/8" Housing Lgth.)	675	225137	Washer (Starter Motor)	801	394856	Cap-Drive
311	497608	Brush Set	697	94773	Screw (Starter Motor Mounting)	802	497607	Cap-End
503	806000	Strap-Starter	729	225170	Clip-Wire	803	497604	Housing-Starter (3 5/8" Housing Lgth.)
510	497606	Drive-Starter	783	693059	Gear-Starter	1051	263080	Ring-Retainer
513	398003	Clutch-Drive				1090	497605	Retainer-Brush

★ Included in Gasket Set-Part No. 497070.
● Included in Carburetor Kit-See Ref. No. 121.

◆ Included in Carburetor Gasket Set-Part No. 497069.
⊘ Included in Valve Overhaul Gasket Set-Part No. 498534.

19B400 to 19B499

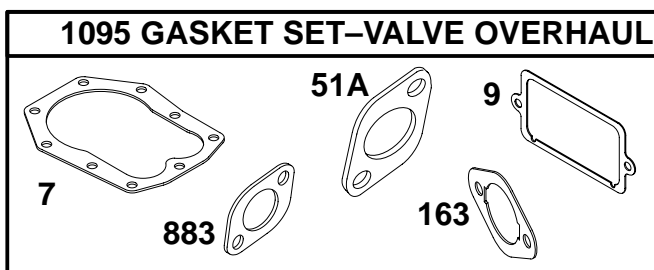
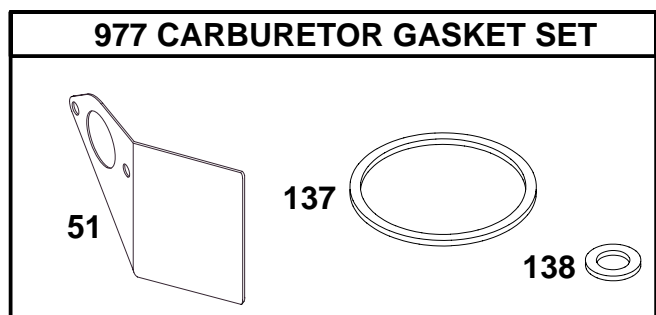
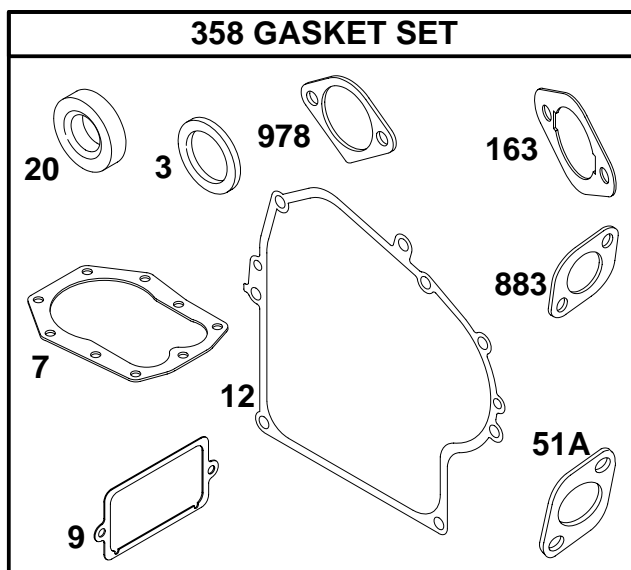
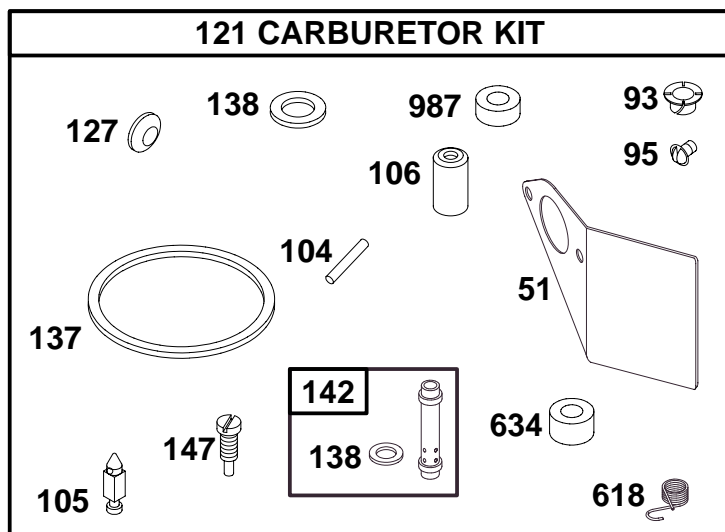


REF. NO.	PART NO.	DESCRIPTION	REF. NO.	PART NO.	DESCRIPTION	REF. NO.	PART NO.	DESCRIPTION
309A		For Replacement Starter Motor, See Ref 309, Previous Page.	503	806000	Strap-Starter	783	693059	Gear-Starter
			510A	495878	Drive-Starter	801	394856	Cap-Drive
			513	398003	Clutch-Drive	802A	395537	Cap-End (For 3 5/8" Housing Length)
310A	94003	Bolt (Starter Motor) (For 3 5/8" Housing Length)	544A	390837	Armature-Starter (For 3 5/8" Housing Length)	803A	398159	Housing-Starter (For 3 5/8" Housing Length)
311A	395538	Brush Set (For 3 5/8" Housing Lengths)	697	94773	Screw (Starter Motor Mounting)	876	495877	Kit-Gear
						896	94288	Pin-Roll

★ Included in Gasket Set-Part No. 497070.
 ● Included in Carburetor Kit-See Ref. No. 121.

◆ Included in Carburetor Gasket Set-Part No. 497069.
 ◊ Included in Valve Overhaul Gasket Set-Part No. 498534.

19B400 to 19B499



REF. NO.	PART NO.	DESCRIPTION	REF. NO.	PART NO.	DESCRIPTION	REF. NO.	PART NO.	DESCRIPTION
3	★391086	Seal-Oil	95	●94098	Screw-Round Head	147	●497472	Jet-Pilot (Used on LMT 69, 103, 171)
7	∅★272163	Gasket-Cylinder Head	104	●231789	Pin-Float Hinge	163	∅★272706	Gasket-Air Cleaner
9	∅★27803	Gasket-Breather	105	●231935	Valve-Needle	358	497070	Gasket Set
12	★271701	Gasket-Crankcase (.015" Thick, Std.)	106	●231856	Seat-Inlet	618	●262803	Spring
		Note	121	497578	Carburetor Kit	634	●281168	Seal-Choke Shaft
		★27876 Gasket-Crankcase (.005" Thick)			Note	883	∅★272309	Gasket-Exhaust
		★27877 Gasket-Crankcase (.009" Thick)			497041 Carburetor Kit (Used Before Code Date 94090100).	977	497069	Gasket Set-Carburetor
20	★391086	Seal-Oil	127	●	Plug-Welch (Sold in Kit Only)	978	★271736	Gasket
51	●★272708	Gasket-Intake	137	◆★281165	Gasket-Float Bowl	987	●281166	Seal-Throttle Shaft
51A	∅★272707	Gasket-Intake	138	◆★281164	Washer	1095	498534	Gasket Set-Valve Overhaul
93	●281346	Bushing-Throttle Shaft	142	●497196	Nozzle-Carburetor (Standard Used on LMT 69, 103)			

★ Included in Gasket Set-Part No. 497070.
● Included in Carburetor Kit-See Ref. No. 121.

◆ Included in Carburetor Gasket Set-Part No. 497069.
∅ Included in Valve Overhaul Gasket Set-Part No. 498534.