

194700

Illustrated Parts List

Model Series

194700

TYPE NUMBERS
0101 through 4528.

For Use On Engines Built Before Date Code – 02051800

TABLE OF CONTENTS

Air Cleaner	4
Alternator	6
Blower Housing/Shrouds	5
Cam	2
Carburetor	3
Controls	4
Crankcase Cover/Sump	2
Crankshaft	2
Cylinder	2
Electric Starter	6
Flywheel	5
Fuel Tank	4
Governor Spring	4
Head	2
Ignition	5
Kits/Gaskets–Carburetor	3
Kits/Gaskets–Valve	2
Muffler	4
Oil	2
Piston Group	2
Rewind	5
Valves	2

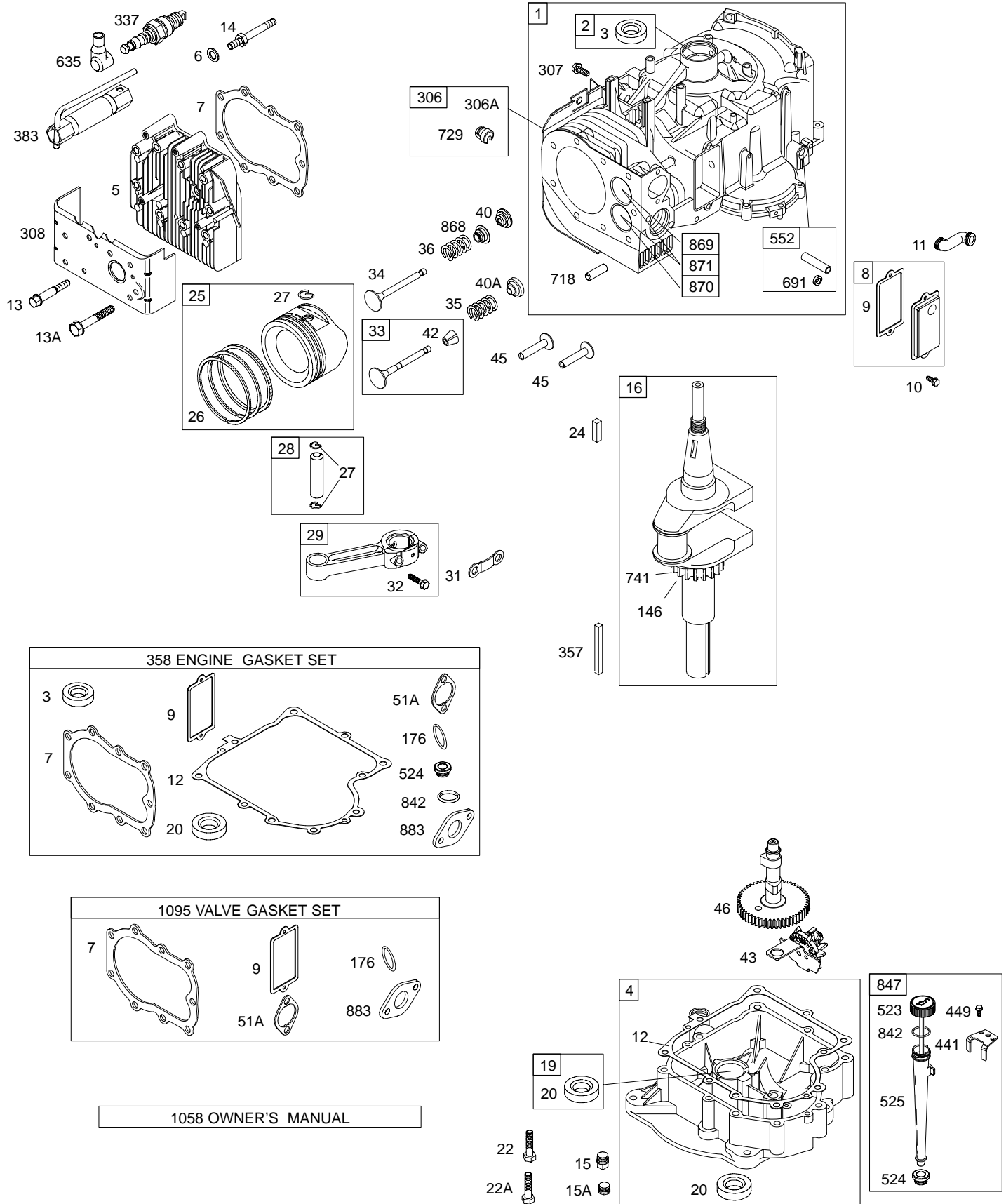
PRINTED IN U.S.A.

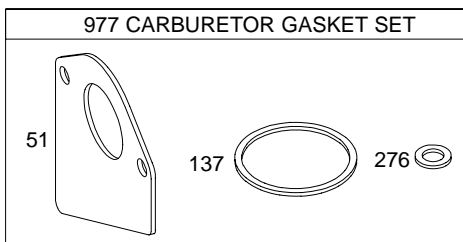
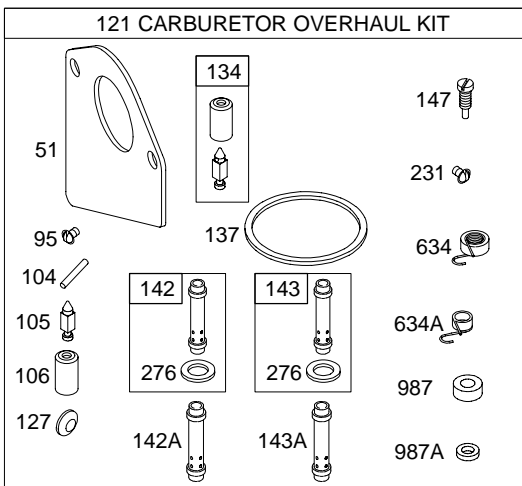
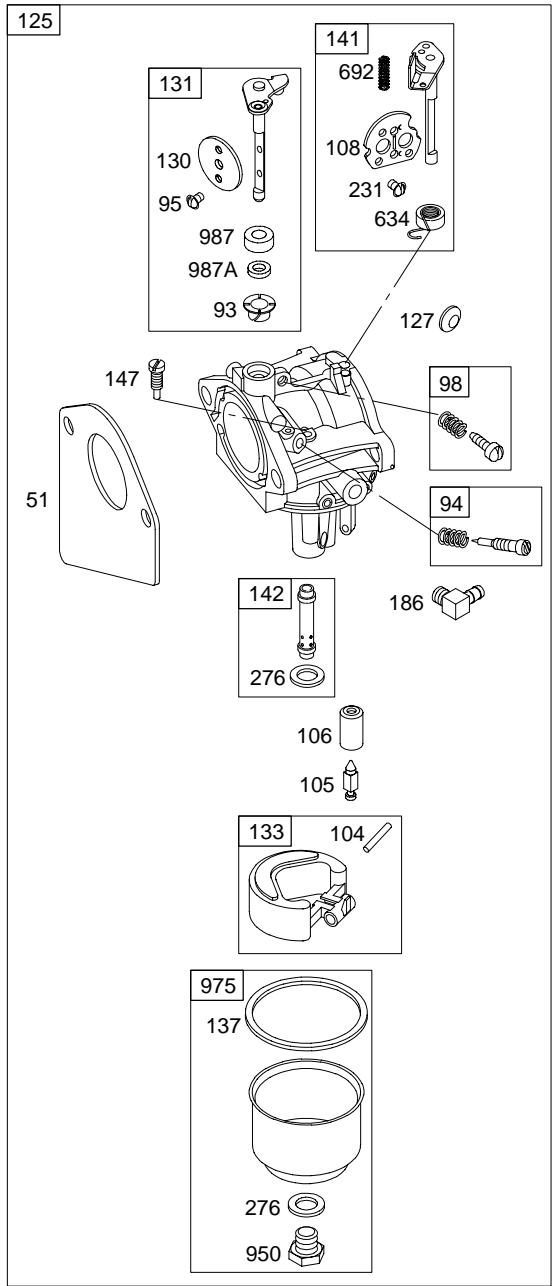
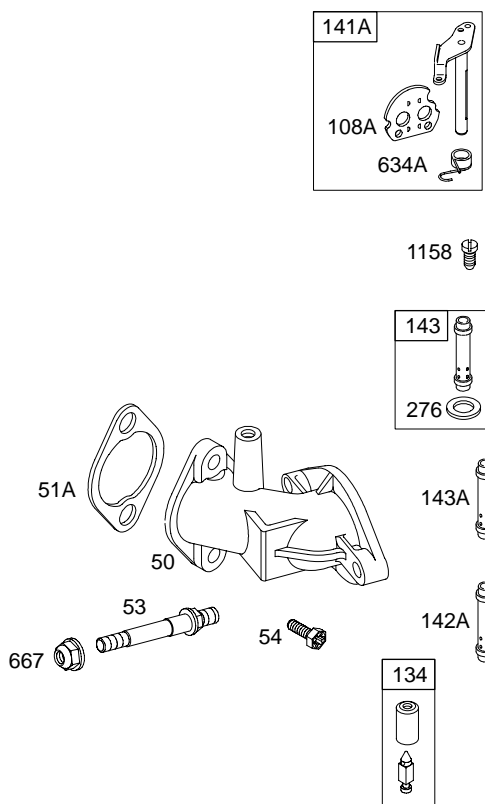


COPYRIGHT by BRIGGS & STRATTON CORPORATION
 All rights reserved. No part of this material may be reproduced or transmitted, in any form or by any means, electronic or mechanical, including photocopying, recording or by any information storage and retrieval system, without permission in writing from Briggs & Stratton Corporation.

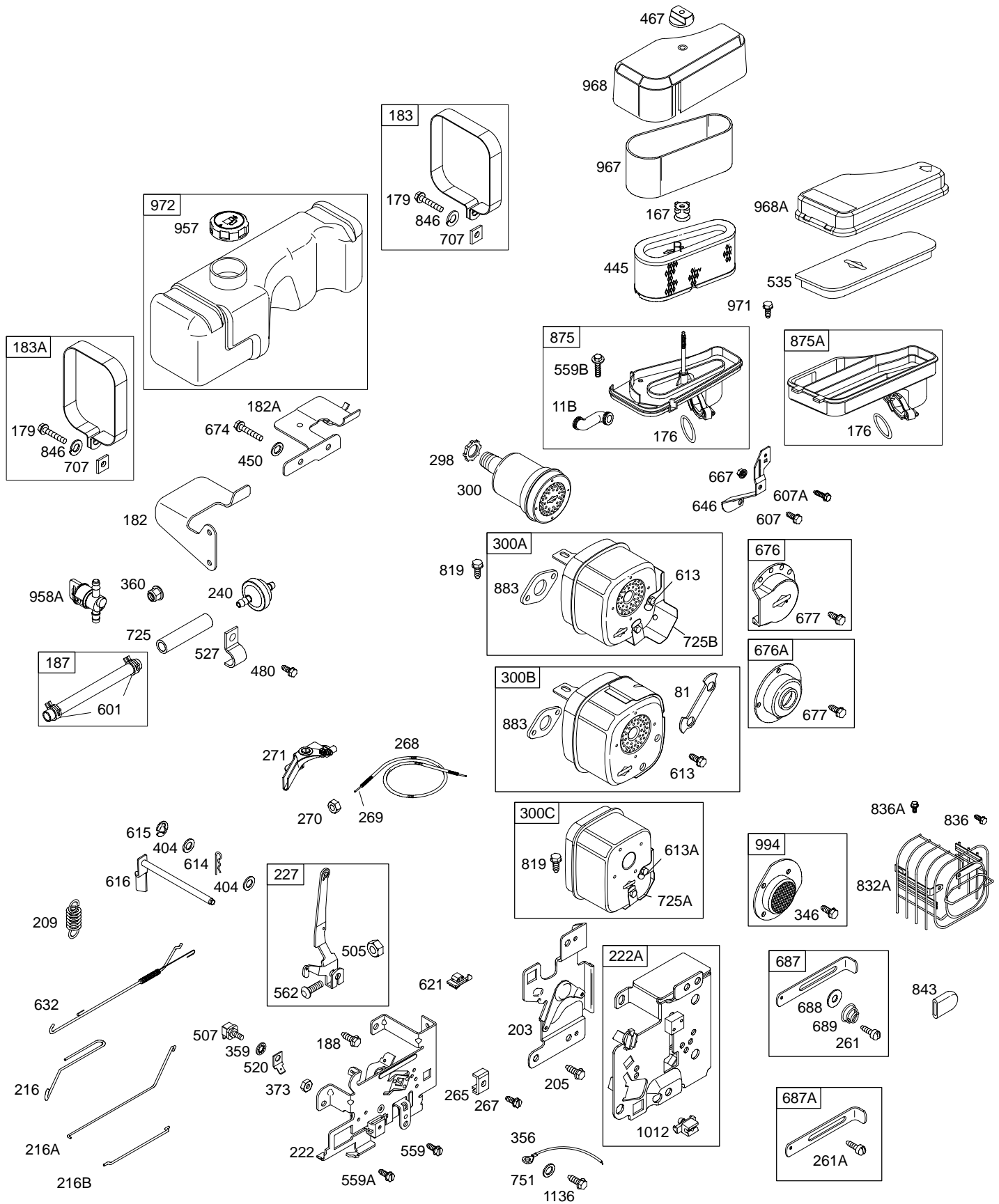


194700



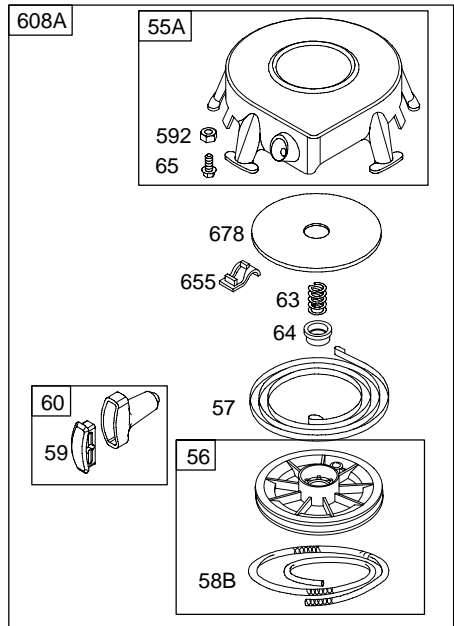
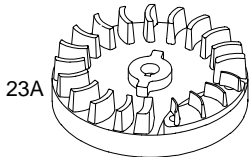
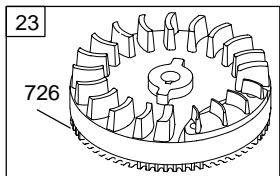
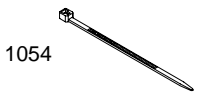
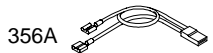
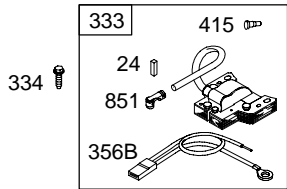
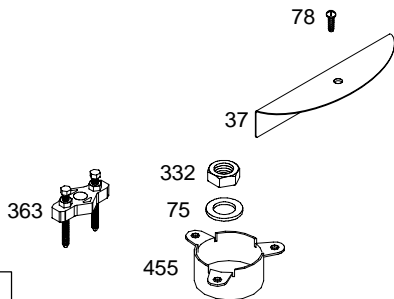
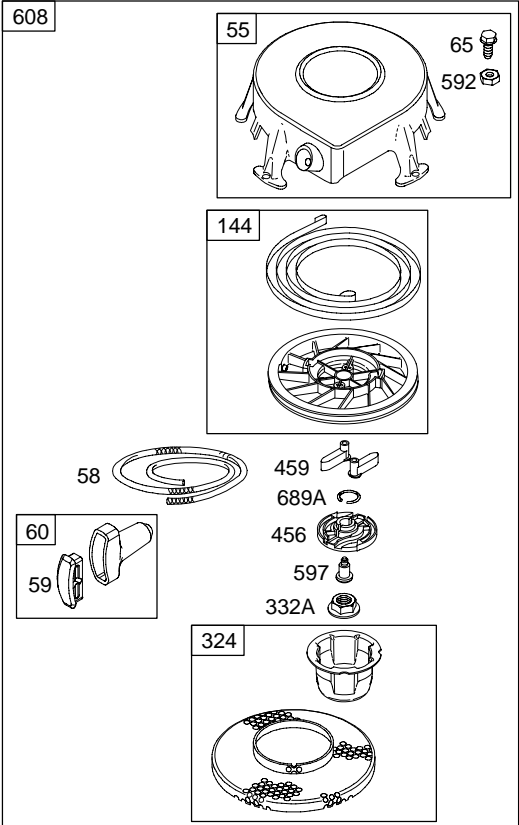
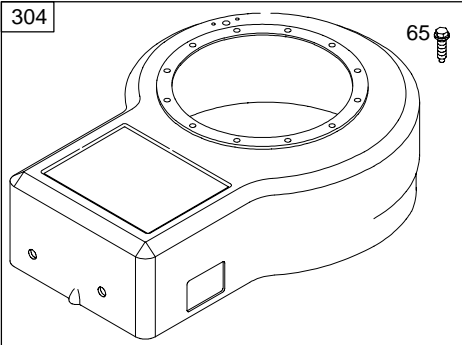
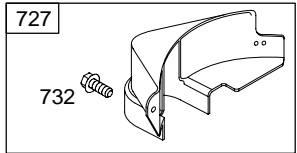
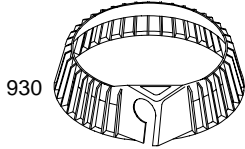
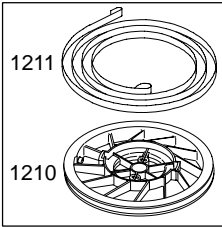


194700



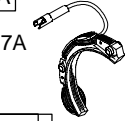





1019 LABEL KIT

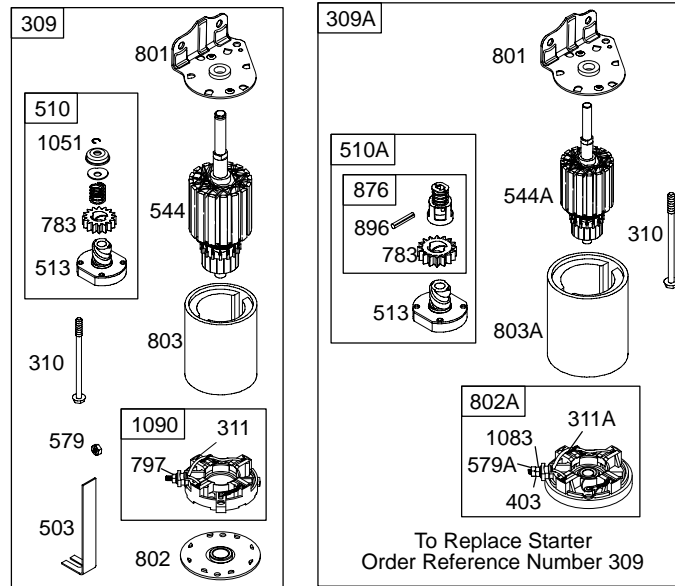
1036 EMISSION LABEL



194700

DUAL CIRCUIT	DC ONLY
<div data-bbox="630 338 808 541"> <p>474</p>  <p>877</p> <div data-bbox="634 470 711 541"> <p>1059</p>  </div> </div>	<div data-bbox="813 338 985 541"> <p>474A</p>  <p>877A</p> <div data-bbox="818 470 894 541"> <p>1059</p>  </div> </div>
<div data-bbox="630 548 808 646"> <p>878</p>  </div>	<div data-bbox="813 548 985 646"> <p>578</p>  </div>

NOTE: ALL OLD STYLE STATORS USE
REFERENCE NUMBER 1119 MOUNTING SCREW



697  697A 

REF. NO.	PART NO.	DESCRIPTION	REF. NO.	PART NO.	DESCRIPTION	REF. NO.	PART NO.	DESCRIPTION
1	495623	Cylinder Assembly (Used After Code Date 92070500). Note _____ 495725 Cylinder Assembly (Used Before Code Date 92070600).	13	691651	Screw (Cylinder Head) (2 5/8" Long)	22	691625	Screw (Crankcase Cover/Sump)
2	495657	Kit-Bushing/Seal (Magneto Side) (Used After Code Date 92070500). Note _____ 399266 Kit-Bushing/Seal (Magneto Side) (Used Before Code Date 92070600).	13A	690904	Screw (Cylinder Head) (3" Long)	22A	691103	Screw (Crankcase Cover/Sump) (Used in Position 1)
3	*391086	Seal-Oil (Magneto Side) (Used After Code Date 92070500). Note _____ *294606 Seal-Oil (Magneto Side) (Used Before Code Date 92070600).	14	691690	Stud (Cylinder Head) (2 1/2" Long) Note _____ 691109 Stud (Cylinder Head) (3" Long)	23	691354	Flywheel (Electric Start)
4	392548	Sump-Engine Note _____ 397305 Sump-Engine Used on Type No(s). 4004.	15	690946	Plug-Oil Drain (Square Head)	23A	690615	Flywheel (Rewind Start)
5	691715	Head-Cylinder	15A	691680	Plug-Oil Drain Used on Type No(s). 4004.	24	222698	Key-Flywheel
6	691261	Washer (Cylinder Head)	16	690832	Crankshaft (Used After Code Date 92070500). Note _____ 492450 Crankshaft (Used Before Code Date 92070600). 495637 Crankshaft (Used After Code Date 92070500). Used on Type No(s). 0116, 0117, 0121. 492453 Crankshaft (Used Before Code Date 92070600). Used on Type No(s). 0116, 0117, 0121.	25	499907	Piston Assembly (Standard) Note _____ 499908 Piston Assembly (.010" Oversize) 499909 Piston Assembly (.020" Oversize) 499910 Piston Assembly (.030" Oversize)
7	Ø*272163	Gasket-Cylinder Head				26	499921	Ring Set (Standard) Note _____ 299743 Ring Set (Standard) (Chrome) 690018 Ring Set (.010" Oversize) 690019 Ring Set (.020" Oversize) 690020 Ring Set (.030" Oversize)
8	495735	Breather Assembly				27	690975	Lock-Piston Pin
9	Ø*27803	Gasket-Breather				28	499302	Pin-Piston (Standard) Note _____ 499303 Pin-Piston (.005" Oversize)
10	691666	Screw (Breather Assembly)				29	390402	Rod-Connecting (Standard) Note _____ 390773 Rod-Connecting (.020" Undersize)
11	692293	Tube-Breather				31	222114	Lock-Rod Screw
11B	692253	Tube-Breather				32	690352	Screw (Connecting Rod)
12	*692221	Crankcase Gasket (.015" Thick) (Standard) Note _____ *27876 Gasket-Crankcase (.005" Thick) *27877 Gasket-Crankcase (.009" Thick)	19	295963	Kit-Bushing/Seal (PTO Side)	33	691794	Valve-Exhaust
			20	*391086	Seal-Oil (PTO Side)	34	261055	Valve-Intake
						35	691605	Spring-Valve (Intake)
						36	691597	Spring-Valve (Exhaust)

★ Included in Engine Gasket Set-Ref. No.358.

● Included in Carburetor Overhaul Kit-Ref. No. 121.

◆ Included in Carburetor Gasket Set-Ref. No. 977.

Ø Included in Valve Gasket Set-Ref. No 1095.

194700

REF. NO.	PART NO.	DESCRIPTION	REF. NO.	PART NO.	DESCRIPTION	REF. NO.	PART NO.	DESCRIPTION
37	690411	Guard-Flywheel Note 692868 Guard-Flywheel Used on Type No(s). 0113, 0118, 0413.	73	691748	Screen-Rotating	127	694530	Plug-Welch
40	690656	Retainer-Valve (Intake)	73A	691754	Screen-Rotating	130	690468	Valve-Throttle
40A	691939	Retainer-Valve (Exhaust)	74	691655	Screw (Rotating Screen)	131	494885	Kit-Throttle Shaft
42	494553	Keeper-Valve (Exhaust)	75	690582	Washer (Flywheel)	133	494381	Float-Carburetor
43	691980	Slinger-Governor/Oil	78	690364	Screw (Flywheel Guard)	134	494788	Kit-Needle/Seat (Used Before Code Date 92072000).
45	691793	Tappet-Valve	81	691729	Lock-Muffler Screw	137	281165	Gasket-Float Bowl
46	691167	Camshaft	93	690602	Bushing-Throttle Shaft	141	495097	Kit-Choke Shaft (Manual Choke)
50	691711	Manifold-Intake	94	494383	Kit-Idle Mixture	141A	495931	Kit-Choke Shaft (Choke A Matic)
51	692284	Gasket-Intake (Intake Manifold to Carburetor)	94A	498836	Kit-Idle Mixture (LMT 145, 148)	142	494877	Nozzle-Carburetor (Standard) (LMT 53, 83, 84, 85, 86, 87, 90)
51A	272554	Gasket-Intake (Intake Manifold to Cylinder)	95	691636	Screw (Throttle Valve)	142A	499105	Nozzle-Carburetor (Standard) (LMT 145, 146, 147, 148)
53	690227	Stud (Carburetor)	98	495800	Kit-Idle Speed (Used After Code Date 92071900). Note 398185 Kit-Idle Speed (Used Before Code Date 92072000).			Note 690121 Nozzle-Carburetor (Standard) (LMT 191, 192, 194)
54	93208	Screw (Intake Manifold)	104	690525	Pin-Float Hinge	143	495608	Nozzle-Carburetor (High Altitude) (LMT 53, 83, 84, 85, 86, 87, 90)
55	693904	Housing-Rewind Starter (Used After Code Date 98111500).	105	231855	Valve-Float Needle (Used After Code Date 92071900).	143A	499108	Nozzle-Carburetor (High Altitude) (LMT 145, 146, 147, 148)
55A	393576	Housing-Rewind Starter (Used Before Code Date 98111600).	106	690577	Seat-Inlet (Used After Code Date 92071900).			Note 692688 Nozzle-Carburetor (High Altitude) (LMT 191, 192, 194)
56	295871	Pulley-Starter	108	690464	Valve-Choke (Manual Choke)	144	697843	Pulley/Spring Assembly (Used After Code Date 98111600).
57	490179	Spring-Rewind Starter	108A	692344	Valve-Choke (Choke A Matic)	146	690979	Key-Timing
58	693389	Rope-Starter (70" Long)	121	497535	Kit-Carburetor Overhaul	147	497472	Jet-Pilot
58A	695002	Rope-Starter (99" Long)	125	692684	Carburetor (LMT 145, 146, 147, 148, 191, 192, 194) Note 495782 Carburetor (LMT 53, 87, 88, 89, 90)	167	692297	Seal-Air Cleaner Nut
58B	692188	Rope-Starter (63" Long)			495780 Carburetor (LMT 83, 84, 85, 86) 696461 Carburetor Used on Type No(s). 0127, 0413, 0423, 0427, 4517, 4518, 4519, 4525, 4526, 4528.	176	691917	Seal-O Ring (Air Cleaner Base)
59	490653	Insert-Grip				179	692331	Screw (Fuel Tank Strap)
60	490652	Grip-Starter Rope				182	691214	Bracket-Fuel Tank (Right Hand)
63	690547	Spring-Ratchet				182A	692867	Bracket-Fuel Tank (Left Hand)
64	691920	Adapter-Ratchet Spring				183	692960	Strap-Fuel Tank (Right Hand)
65	690837	Screw (Rewind Starter)				183A	692030	Strap-Fuel Tank (Left Hand)
66	399671	Clutch-Starter						
67	394897	Housing-Clutch						
68	691604	Ball-Clutch						
70	691945	Ratchet-Clutch						
71	691359	Cover-Ratchet						

★ Included in Engine Gasket Set-Ref. No.358.

● Included in Carburetor Overhaul Kit-Ref. No. 121.

◆ Included in Carburetor Gasket Set-Ref. No. 977.

⊘ Included in Valve Gasket Set-Ref. No 1095.

REF. NO.	PART NO.	DESCRIPTION	REF. NO.	PART NO.	DESCRIPTION	REF. NO.	PART NO.	DESCRIPTION
186	692317	Connector-Hose	298	690453	Locknut-Muffler/Elbow	359	691077	Washer (Ground Terminal)
187	296004	Line-Fuel (Cut to Required Length)	300	393010	Muffler (Round Lo Tone)	360	691105	Nut (Fuel Tank Bracket)
188	691693	Screw (Control Bracket)	300A	691971	Muffler (Lo Tone)	363	19165	Puller-Flywheel
203	691381	Crank-Bell	300B	692304	Muffler	373	691612	Nut (Ground Terminal)
205	691693	Screw (Bell Crank)	300C	494222	Muffler (Super Lo Tone)	383	89838	Wrench-Spark Plug
209	690480	Spring-Governor (Red)	304	496832	Housing-Blower (Rewind Start)	403	690288	Washer (End Cap)
		Note			Note	404	691691	Washer (Governor Crank)
		691795 Spring-Governor (Yellow) Used on Type No(s). 0114, 0115, 4019, 4519.			496439 Housing-Blower (Electric Start)	415	692882	Plug
		691278 Spring-Governor (Platinum) Used on Type No(s). 0113, 0413.	305	692198	Screw (Blower Housing)	441	690593	Bracket-Oil Fill
216	690573	Link-Choke	306	496797	Shield-Cylinder	445	691667	Filter-Air Cleaner Cartridge
216A	692893	Link-Choke	306A	224898	Shield-Cylinder	449	690664	Screw (Oil Fill Bracket)
216B	691281	Link-Choke	307	691003	Screw (Cylinder Shield)	450	691261	Washer (Fuel Tank Bracket) (Rewind Start)
222	694042	Bracket-Control	308	691201	Cover-Cylinder Head			Note
222A	692002	Bracket-Control	309	693054	Motor-Starter			690259 Washer (Fuel Tank Bracket) (Electric Start)
227	691374	Lever-Governor Control	309A		Motor-Starter (For Replacement Starter Motor, See Ref 309)	455	691173	Cup-Flywheel
231	691636	Screw (Choke Valve)	310	690323	Bolt (Starter Motor)	456	692299	Plate-Pawl Friction
240	298090	Filter-Fuel	311	497608	Brush Set	459	281505	Pawl-Ratchet
261	690278	Screw (Control Slide)	311A	395538	Brush Set	467	691668	Knob-Air Cleaner
261A	697176	Screw (Control Slide) Used on Type No(s). 0127, 0423, 0427 4518.	324	695160	Screen/Cup Assembly (Used After Code Date 99022800).	474	696459	Alternator (Dual Circuit)
265	691024	Clamp-Casing	332	690662	Nut (Flywheel)	474A	696578	Alternator (DC Only)
267	690804	Screw (Casing Clamp)	332A	693899	Nut (Flywheel)	480	690664	Screw (Tube Clamp)
268	691025	Casing-Control Wire (Cut to Required Length)	333	398811	Armature-Magneto	503	691532	Strap-Starter
269	691026	Wire-Control (Cut to Required Length)	334	691061	Screw (Magneto Armature)	505	691251	Nut (Governor Control Lever)
270	691027	Nut (Control Wire Casing)	337	802592	Plug-Spark	507	691972	Insulator
271	691028	Lever-Control	346	690661	Screw (Spark Arrester)	510	497606	Drive-Starter
276	692255	Washer-Sealing	356	399222	Wire-Stop	510A	495878	Drive-Starter
			356A	398838	Wire-Stop	513	692024	Clutch-Drive
			356B	398808	Wire-Stop (Magneto Armature)	520	691084	Terminal-Ground
			356C	690799	Wire-Stop Used on Type No(s). 0101, 0102, 0126, 0401, 0402.	523	691387	Dipstick
			357	691483	Key-Drive Pulley	524	281370	Seal-Dipstick Tube
			358	299577	Gasket Set-Engine	525	692963	Tube-Dipstick
						527	690394	Clamp-Tube
						535	272922	Filter-Air Cleaner Foam
						544	692034	Armature-Starter
						544A	390837	Armature-Starter
						552	491986	Bushing-Governor Crank

★ Included in Engine Gasket Set-Ref. No.358.

● Included in Carburetor Overhaul Kit-Ref. No. 121.

◆ Included in Carburetor Gasket Set-Ref. No. 977.

⊘ Included in Valve Gasket Set-Ref. No 1095.

194700

REF. NO.	PART NO.	DESCRIPTION	REF. NO.	PART NO.	DESCRIPTION	REF. NO.	PART NO.	DESCRIPTION
559	690661	Screw (Remote Choke Stop)	674	691058	Screw (Fuel Tank Bracket) (3/4" Long)	803	693757	Housing–Starter
559A	697561	Screw (Remote Choke Stop) Used on Type No(s). 0423, 4518.			————— Note —————	803A	398159	Housing–Starter
559B	693675	Screw (Remote Choke Stop)			690341	690341	690341	Screw (Fuel Tank Bracket) (7/8" Long)
562	691119	Bolt (Governor Control Lever)	676	393757	Deflector–Muffler (Side Out)	832A	690858	Guard–Muffler
578	692306	Wire Assembly (DC Only)	676A	395700	Deflector–Muffler (Direct Out)	836	690367	Screw (Muffler Guard) (9/16" Long)
579	691029	Nut (Starter Cable)	677	690661	Screw (Muffler Deflector)	836A	695669	Screw (Muffler Guard) (1/2" Long)
579A	691626	Nut (Starter Cable)	678	490817	Spacer–Rewind	842	★691870	Seal–O Ring (Dipstick Tube)
592	690800	Nut (Starter Rewind)	687	691949	Slide–Control	843	697158	Sleeve–Lever Used on Type No(s). 0127, 0423, 0427, 4518.
597	691696	Screw (Pawl Friction Plate)	687A	697175	Slide–Control Used on Type No(s). 0127, 0423, 0427, 4518.	846	90832	Washer (Fuel Tank Strap)
601	95162	Clamp–Hose	688	690395	Cap–Friction	847	392066	Dipstick/Tube Assembly
607	690703	Screw (Air Cleaner Brace) (13/32" Long)	689	690529	Spring–Friction	851	493880	Terminal–Spark Plug
607A	691693	Screw (Air Cleaner Brace) (3/8" Long)	689A	691855	Spring–Friction (Rewind Start)	868	692036	Seal–Valve
608	693900	Starter–Rewind (Used After Code Date 98111500).	692	690572	Spring–Detent	869	691703	Seat–Valve (Intake)
608A	390391	Starter–Rewind (Used Before Code Date 98111600).	691	692407	Seal–Governor Shaft	870	691844	Seat–Valve (Exhaust)
613	691632	Screw (Muffler)	697	691058	Screw (Drive Cap) (3/4" Long)	871	261961	Bushing–Valve Guide
613A	691351	Screw (Muffler)	697A	690372	Screw (Drive Cap) (11/16" Long)	875	693670	Base–Air Cleaner
614	691620	Pin–Cotter	707	690279	Nut (Fuel Tank Strap)	875A	494745	Base–Air Cleaner
615	93307	Retainer–Governor Shaft	718	690959	Pin–Locating	876	495877	Kit–Pinion Spring
616	692012	Crank–Governor	725	690403	Shield–Heat	877	393456	Wire/Connector– Alternator (Dual Circuit)
621	692310	Switch–Stop	725A	690433	Shield–Heat	877A	393814	Wire/Connector– Alternator (DC Only)
632	693663	Spring/Link– Mechanical Governor	725B	690431	Shield–Heat	878	691237	Harness–Alternator (Dual Circuit)
634	●690801	Spring/Seal Assembly (Manual Choke)	726	399676	Gear–Ring (Includes Mounting Hardware)	883	∅★697815	Gasket–Exhaust
634A	●690802	Spring/Seal Assembly (Choke A Matic)	727	395405	Cover–Starter Drive	896	691641	Pin–Drive Retainer
635	66538	Boot–Spark Plug	729	690603	Clip–Wire (Starter Drive Cover)	930	691904	Guard–Rewind
646	690465	Brace–Air Cleaner	732	691097	Screw (Starter Drive Cover)	950	691657	Screw–Float Bowl
655	691734	Anchor–Rewind Spring	741	691288	Gear–Timing	957	493988	Cap–Fuel Tank
667	690958	Nut (Air Cleaner Brace)	751	691077	Washer (Stop Wire)	958A	698183	Valve–Fuel Shut Off
			783	693059	Gear–Pinion	967	272477	Filter–Pre Cleaner
			797	693167	Nut (Brush Retainer) (Serrated)	968	691324	Cover–Air Cleaner
			801	691283	Cap–Drive	968A	281108	Cover–Air Cleaner
			802	691286	Cap–End	971	690960	Screw (Air Cleaner Base to Carburetor)
			802A	395537	Cap–End (Contains Brush Set)	972	390225	Tank–Fuel

★ Included in Engine Gasket Set–Ref. No.358.

● Included in Carburetor Overhaul Kit–Ref. No. 121.

◆ Included in Carburetor Gasket Set–Ref. No. 977.

∅ Included in Valve Gasket Set–Ref. No 1095.

REF. NO.	PART NO.	DESCRIPTION	REF. NO.	PART NO.	DESCRIPTION	REF. NO.	PART NO.	DESCRIPTION
975	495933	Bowl-Float	1051	691265	Ring-Retaining	1119	691183	Screw (Alternator)
977	494385	Gasket Set-Carburetor	1054	280275	Tie-Cable	1136	690278	Screw (Control Bracket) (High Speed Control)
987	●691326	Seal-Throttle Shaft	1058	274787	Owner's Manual (Emission)	1158	695659	Screw (Carburetor Plug)
987A	●692001	Seal-Throttle Shaft (LMT 49, 83, 84, 85, 86)			Note _____ 270676 Owner's Manual (Non Emission)	1210	498144	Pulley/Spring Assembly (Pulley) (Used After Code Date 00082000 and Before Code Date 01051100).
994	399541	Arrestor-Spark	1059	698516	Kit-Screw/Washer	1211	498144	Pulley/Spring Assembly (Spring) (Used After Code Date 00082000 and Before Code Date 01051100).
1012	690585	Retainer-Link	1083	690958	Nut (End Cap) (Serrated)			
1019	491182	Kit-Label	1090	691293	Retainer-Brush			
1036	696769	Label-Emissions (Used After Code Date 01093000).	1091	691333	Cap-Limiter			
		Note _____ 695697 Label- Emissions (Used Before Code Date 01100100 and After Code Date 00063000).	1095	498536	Gasket Set-Valve			
		695096 Label- Emissions (Used Before Code Date 00070100 and After Code Date 99093000).						
		694305 Label- Emissions (Used Before Code Date 99100100 and After Code Date 98123100).						
		499356 Label- Emissions (Used Before Code Date 99010100 and After Code Date 97052500).						
		499355 Label- Emissions (Used Before Code Date 97052600).						

★ Included in Engine Gasket Set-Ref. No.358.

● Included in Carburetor Overhaul Kit-Ref. No. 121.

◆ Included in Carburetor Gasket Set-Ref. No. 977.

⊘ Included in Valve Gasket Set-Ref. No 1095.