



**10G900**

# Illustrated Parts List

## Model Series

# 10G900

TYPE NUMBERS  
0015 through 0465.

### TABLE OF CONTENTS

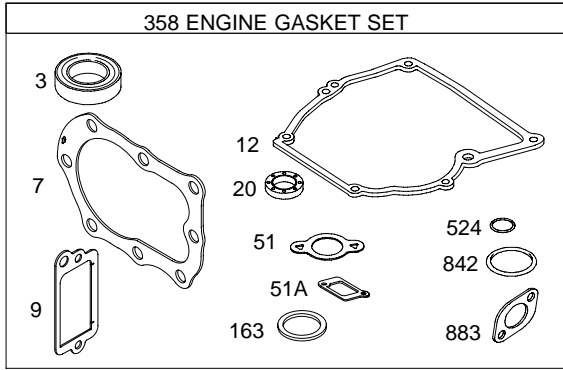
Air Cleaner .....	5
Blower Housing/Shrouds .....	7
Brake .....	6
Cam .....	3
Carburetor .....	4
Controls .....	5
Crankcase Cover/Sump .....	3
Crankshaft .....	3
Cylinder .....	2
Flywheel .....	7
Fuel Tank .....	4
Governor Spring .....	5
Head .....	2
Ignition .....	5
Kits/Gaskets-Engine .....	2
Kits/Gaskets-Valve .....	2
Muffler .....	6
Oil Group .....	2
Piston Group .....	3
Rewind .....	7
Valves .....	3



PRINTED IN U.S.A.

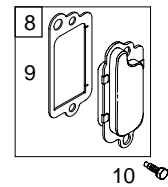
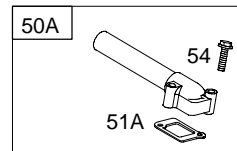
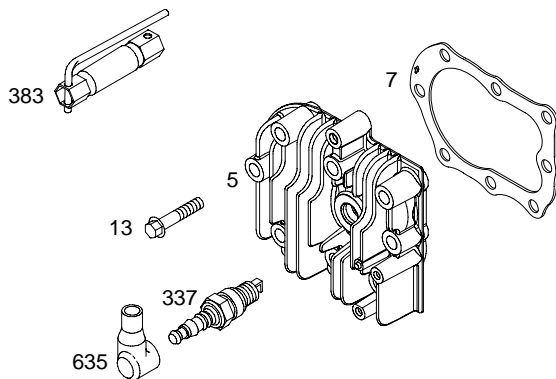
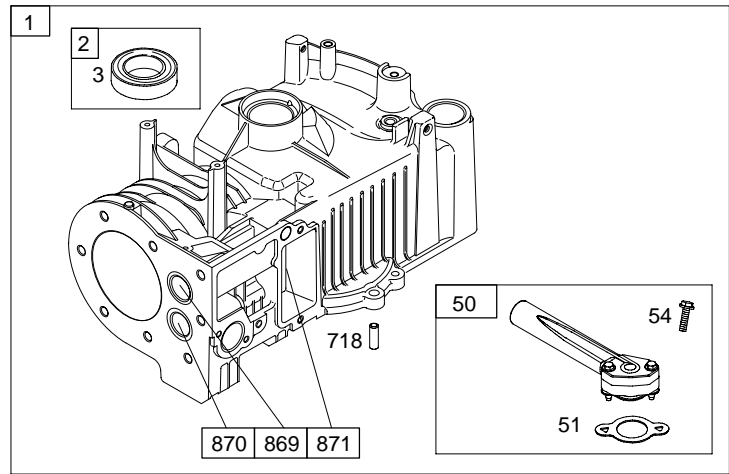
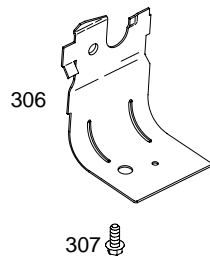
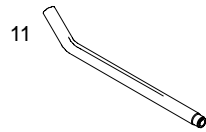
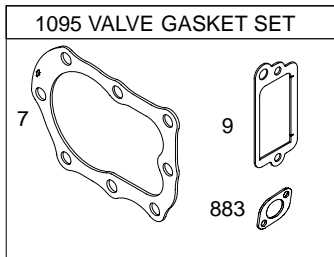
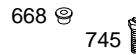
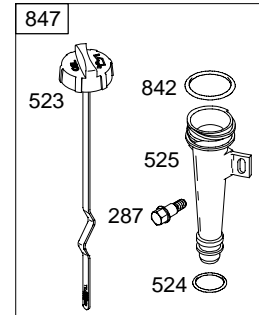
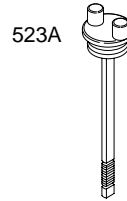
COPYRIGHT by BRIGGS & STRATTON CORPORATION  
All rights reserved. No part of this material may be reproduced or transmitted, in any form or by any means, electronic or mechanical, including photocopying, recording or by any information storage and retrieval system, without permission in writing from Briggs & Stratton Corporation.

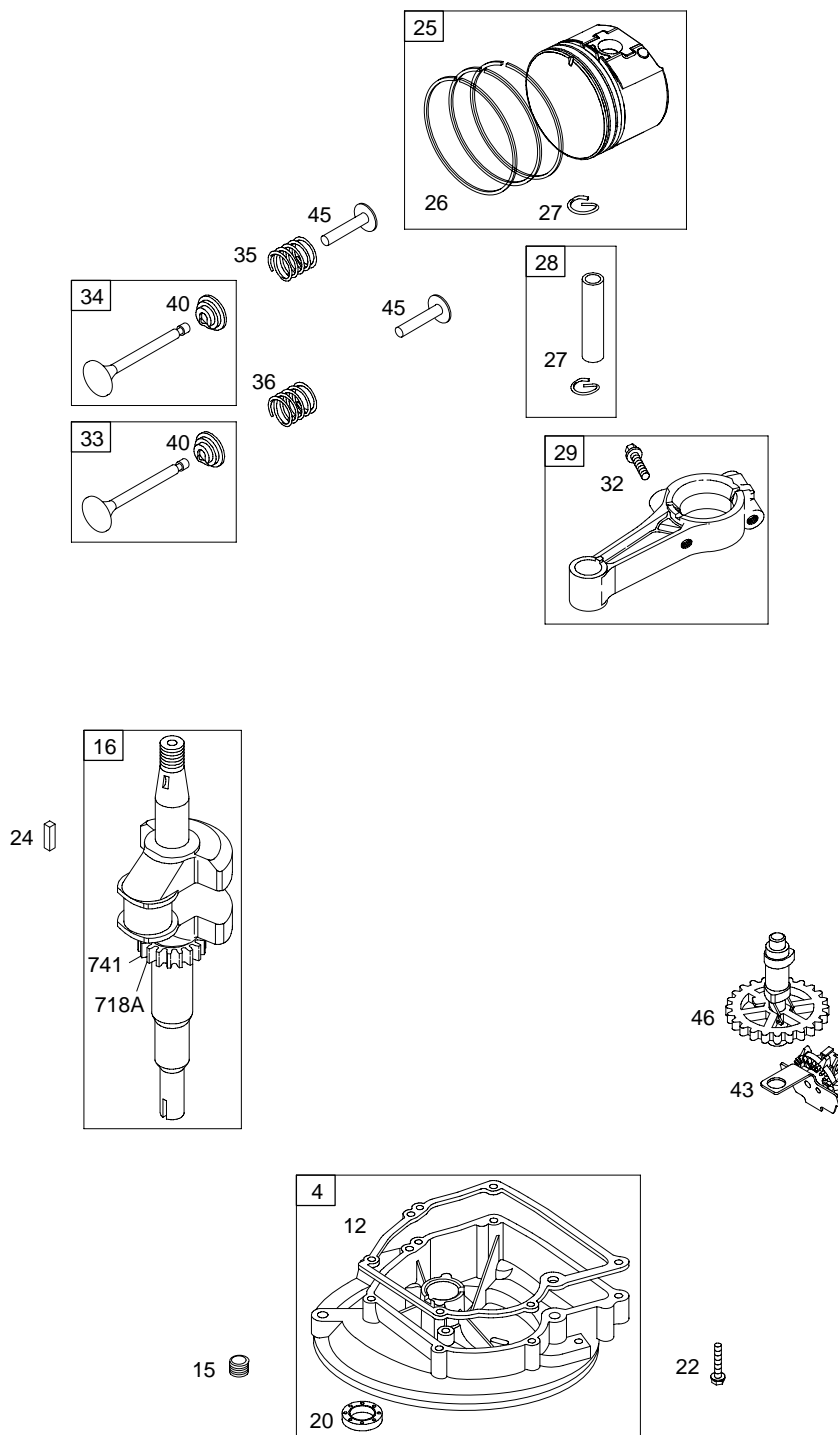
# 10G900



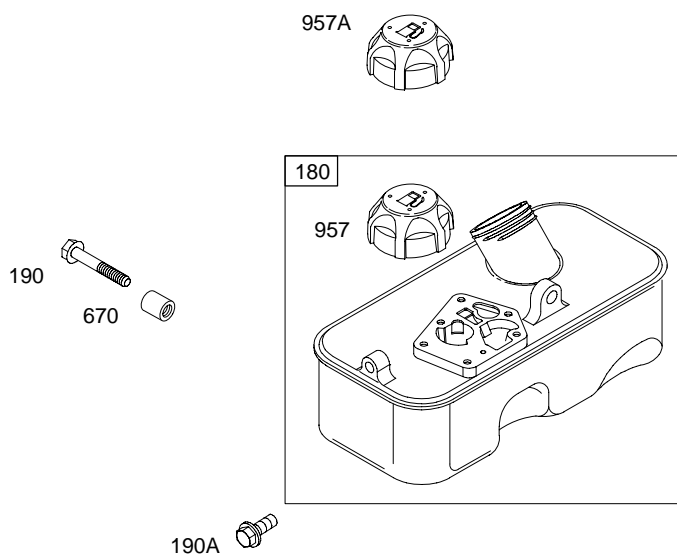
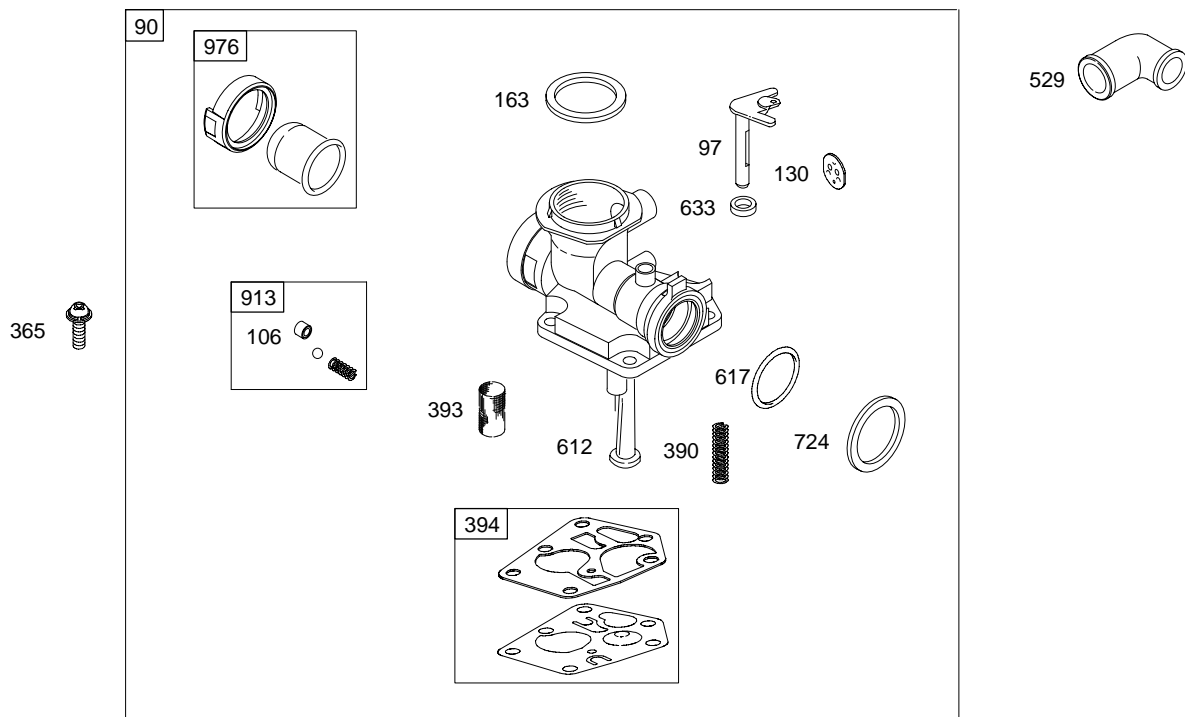
1330 REPAIR MANUAL

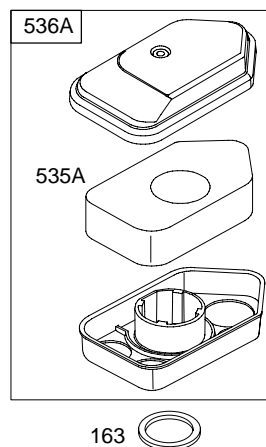
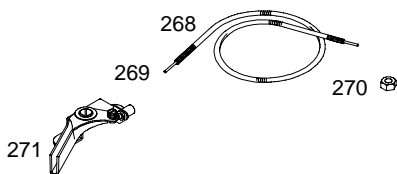
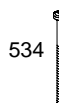
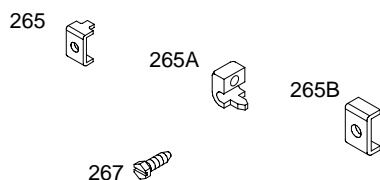
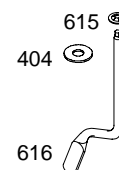
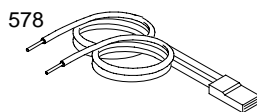
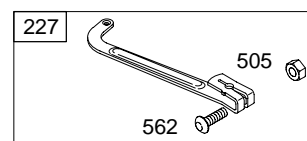
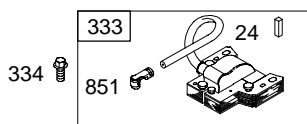
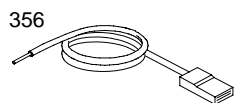
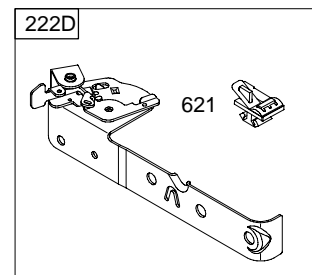
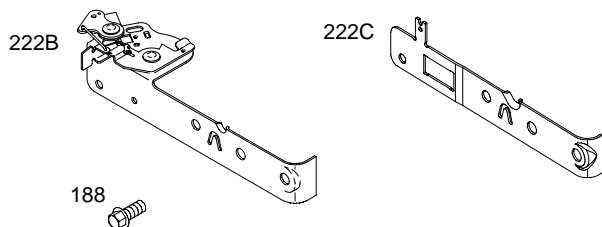
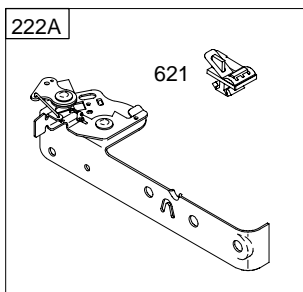
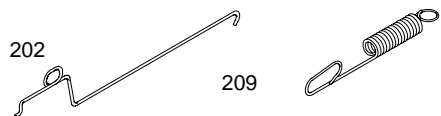
1058 OWNER'S MANUAL



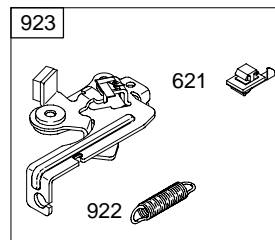
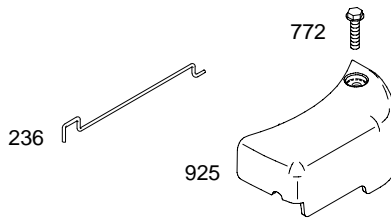
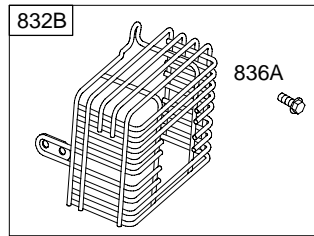
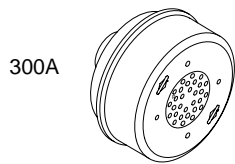
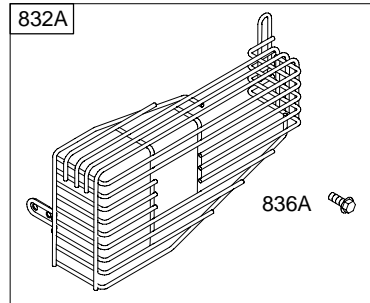
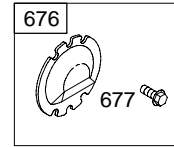
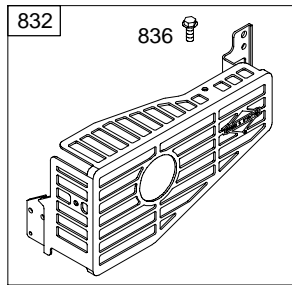
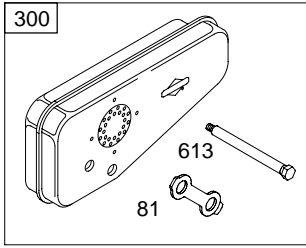


# 10G900

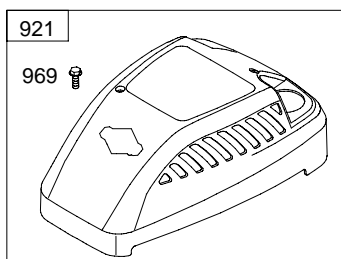




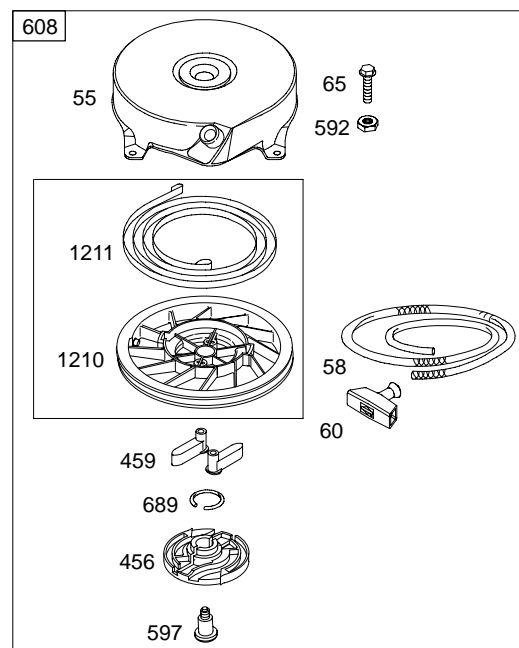
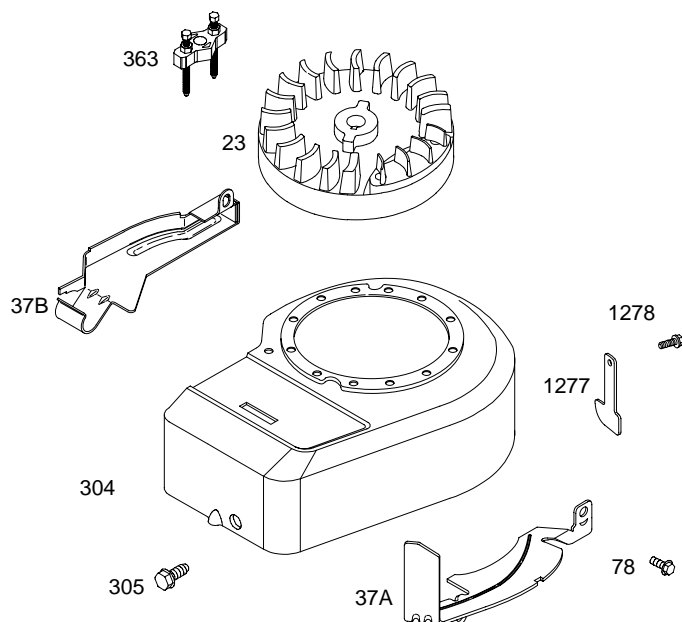
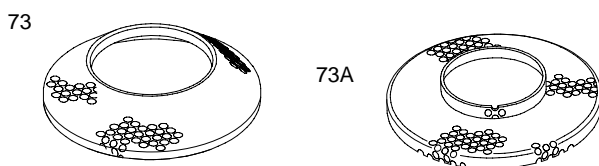
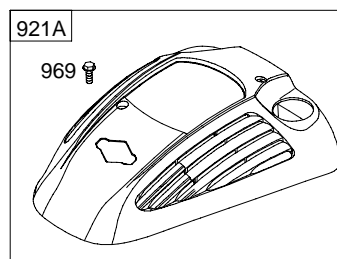
# 10G900



1019 LABEL KIT



1036 EMISSIONS LABEL



# 10G900

REF. NO.	PART NO.	DESCRIPTION	REF. NO.	PART NO.	DESCRIPTION	REF. NO.	PART NO.	DESCRIPTION
1	699650	Cylinder Assembly (Used After Code Date 03080300). ----- <b>Note</b> ----- <b>697401</b> Cylinder Assembly (Used Before Code Date 03080400).	23	692009	Flywheel ----- <b>Note</b> ----- <b>690843</b> Flywheel Used on Type No(s). 0125.	27	691588	Lock-Piston Pin
2	399269	Kit-Bushing/Seal (Magneto Side)	24	222698	Key-Flywheel	28	699659	Pin-Piston (Standard) (Used After Code Date 03093000). ----- <b>Note</b> -----
3	★299819	Seal-Oil (Magneto Side)	25	790908	Piston Assembly (Standard) (Used After Code Date 04111400). ----- <b>Note</b> -----	29	699654	Rod-Connecting (Used After Code Date 03093000). ----- <b>Note</b> -----
4	698691	Sump-Engine			<b>699657</b> Piston Assembly (Standard) (Used After Code Date 03080300 and Before Code Date 04111500).			<b>496792</b> Rod-Connecting (Used Before Code Date 03100100).
5	790169	Head-Cylinder			<b>498668</b> Piston Assembly (Standard) (Used Before Code Date 03080400).	32	691664	Screw (Connecting Rod)
7	★Δ698717	Gasket-Cylinder Head			<b>498670</b> Piston Assembly (.020" Oversize) (Used Before Code Date 04111500).	33	296676	Valve-Exhaust
8	699640	Breather Assembly	26	790909	Ring Set (Standard) (Used After Code Date 04111400). ----- <b>Note</b> -----	34	296677	Valve-Intake
9	★Δ695890	Gasket-Breather			<b>699658</b> Ring Set (Standard) (Used After Code Date 03080300 and Before Code Date 04111500).	35	690520	Spring-Valve (Intake)
10	691666	Screw (Breather Assembly)			<b>498680</b> Ring Set (Standard) (Used Before Code Date 03080400). ----- <b>Note</b> -----	36	690520	Spring-Valve (Exhaust)
11	691245	Tube-Breather			<b>498682</b> Ring Set (.020" Oversize) (Used Before Code Date 04111500).	37A	691209	Guard-Flywheel (Muffler Side)
12	★692218	Gasket-Crankcase (.015" Thick) (Standard) ----- <b>Note</b> ----- <b>270895</b> Gasket-Crankcase (.005" Thick) <b>270896</b> Gasket-Crankcase (.009" Thick)				37B	697403	Guard-Flywheel (Carburetor Side)
13	691640	Screw (Cylinder Head)				40	692194	Retainer-Valve
15	691680	Plug-Oil Drain				43	697799	Slinger-Governor/Oil
16	691472	Crankshaft ----- <b>Note</b> ----- <b>691471</b> Crankshaft Used on Type No(s). 0016, 0110, 0111, 0114, 0115, 0118, 0120, 0121, 0125, 0249, 0251. <b>692989</b> Crankshaft Used on Type No(s). 0018, 0171, 0189, 0367. <b>791739</b> Crankshaft Used on Type No(s). 0173.				45	691762	Tappet-Valve
20	★391483	Seal-Oil (PTO Side)				46	691998	Camshaft
22	691662	Screw (Crankcase Cover/Sump)				50	699644	Manifold-Intake (Used After Code Date 03080300).
						50A	693446	Manifold-Exhaust (Used Before Code Date 03080400).
						51	★699649	Gasket-Intake (Used After Code Date 03080300).
						51A	270345	Gasket-Intake (Used Before Code Date 03080400).
						54	691111	Screw (Intake Manifold)

★ Engine Gasket Set-Reference 358

Δ Valve Gasket Set-Reference 1095



**10G900**

REF. NO.	PART NO.	DESCRIPTION	REF. NO.	PART NO.	DESCRIPTION	REF. NO.	PART NO.	DESCRIPTION
55	692144	Housing-Rewind Starter	222A	699577	Bracket-Control Used on Type No(s). 0120, 0125, 0192, 0272, 0367.	269	691026	Wire-Control (72" Long) (Cut To Required Length)
58	697316	Rope-Starter (88 5/8" Long)	222B	697410	Bracket-Control Used on Type No(s). 0100, 0110, 0111, 0114, 0115, 0116, 0118, 0119, 0121, 0122, 0173, 0248, 0249, 0251, 0254, 0257, 0260, 0465.	270	691027	Nut (Control Wire Casing)
60	691915	Grip-Starter Rope	222C	698725	Bracket-Control Used on Type No(s). 0124, 0171, 0189, 0217, 0271, 0352, 0464.	271	691028	Lever-Control
65	690837	Screw (Rewind Starter)	222D	699326	Bracket-Control Used on Type No(s). 0015, 0016, 0018.	287	691002	Screw (Dipstick Tube)
73	699850	Screen-Rotating (Used After Code Date 03082400).	227	697402	Lever-Governor Control	300	692307	Muffler (Super Lo Tone)
73A	694018	Screen-Rotating (Used Before Code Date 03082500).	236	691867	Link-Lockout Used on Type No(s). 0015, 0016, 0018.	300A	394569	Muffler (Round Lo Tone)
74	691627	Screw (Rotating Screen)	265	691024	Clamp-Casing Used on Type No(s). 0121, 0272.	304	697411	Housing-Blower ----- <b>Note</b> ----- <b>790297</b> Housing- Blower (Non Compliance Engines) Used on Type No(s). 0120, 0125, 0192, 0272, 0367.
78	692198	Screw (Flywheel Guard)	265A	690798	Clamp-Casing Used on Type No(s). 0015, 0016, 0018, 0100, 0110, 0111, 0114, 0115, 0116, 0118, 0119, 0125, 0192.	305	692198	Screw (Blower Housing)
81	691179	Lock-Muffler Screw	265B	692179	Clamp-Casing Used on Type No(s). 0120, 0173.	306	690400	Shield-Cylinder (Used Before Code Date 04071400).
90	697415	Carburetor	267	691044	Screw (Casing Clamp)	307	690345	Screw (Cylinder Shield) (Used Before Code Date 04071400).
97	697414	Shaft-Throttle	268	691072	Casing-Control Wire (48" Long) (Cut To Required Length) ----- <b>Note</b> ----- <b>691025</b> Casing- Control Wire (72" Long) (Cut To Required Length)	332	690662	Nut (Flywheel)
106	691901	Seat-Inlet				333	496914	Armature-Magneto
130	691190	Valve-Throttle				334	691061	Screw (Magneto Armature)
163	★271139	Gasket-Air Cleaner				337	697451	Plug-Spark ----- <b>Note</b> ----- <b>802592</b> Plug-Spark Used on Type No(s). 0100, 0171, 0189, 0217, 0251, 0254, 0257, 0260, 0271, 0352.
180	494406	Tank-Fuel				356	692390	Wire-Stop
188	692198	Screw (Control Bracket)				358	699933	Gasket Set-Engine
190	691640	Screw (Fuel Tank) (1 3/4" Long)				363	19069	Puller-Flywheel
190A	692198	Screw (Fuel Tank) (1/2" Long)				365	790029	Screw (Carburetor)
202	698835	Link-Mechanical Governor						
209	698719	Spring-Governor (Light Blue) ----- <b>Note</b> ----- <b>698726</b> Spring- Governor (Pink) Used on Type No(s). 0110, 0111, 0114, 0115, 0116, 0118, 0119, 0120, 0121, 0122, 0124, 0125, 0248, 0249, 0464, 0465.						

★ Engine Gasket Set-Reference 358

△ Valve Gasket Set-Reference 1095

# 10G900

REF. NO.	PART NO.	DESCRIPTION	REF. NO.	PART NO.	DESCRIPTION	REF. NO.	PART NO.	DESCRIPTION
383	89838	Wrench-Spark Plug	635	66538	Boot-Spark Plug	869	699641	Seat-Valve (Intake)
390	691839	Spring-Choke Diaphragm	668	692889	Spacer			(Used After Code Date 03080300).
393	691837	Screen-Carburetor	670	691633	Spacer-Fuel Tank			----- <b>Note</b> -----
394	495770	Diaphragm-Carburetor	676	392190	Deflector-Muffler Used on Type No(s). 0016.			<b>691701</b> Seat-Valve (Intake)
404	690272	Washer (Governor Crank)	677	690661	Screw (Muffler Deflector) Used on Type No(s). 0016.			(Used Before Code Date 03080400).
455	691236	Cup-Flywheel	689	691855	Spring-Friction	870	699642	Seat-Valve (Exhaust)
456	692299	Plate-Pawl Friction	718	690959	Pin-Locating (Cylinder)			(Used After Code Date 03080300).
459	281505	Pawl-Ratchet	718A	499047	Pin-Locating (Crankshaft)			----- <b>Note</b> -----
505	691251	Nut (Governor Control Lever)	724	697478	Retainer-Seal			<b>691702</b> Seat-Valve (Exhaust)
523	692040	Dipstick	729	690586	Clip-Wire			(Used Before Code Date 03080400).
523A	691913	Dipstick Used on Type No(s). 0173. (Used Before Code Date 04122000).	741	691805	Gear-Timing	871	699643	Bushing-Valve Guide (Exhaust Valve)
524	★691876	Seal-Dipstick Tube	745	691146	Screw (Brake) (7/8" Long)			(Used After Code Date 03080300).
525	691320	Tube-Dipstick	745A	690859	Screw (Brake) (1/2" Long)			----- <b>Note</b> -----
529	692189	Grommet	772	691111	Screw (Linkage Cover)			<b>231348</b> Bushing-Valve Guide (Exhaust Valve)
534	691417	Screw (Air Cleaner)	832	699299	Guard-Muffler Used on Type No(s). 0173, 0257, 0272.			(Used Before Code Date 03080400).
535A	698369	Filter-Air Cleaner Foam	832A	790743	Guard-Muffler			<b>63709</b> Bushing-Valve Guide (Intake Valve)
536A	698472	Cleaner-Air	832B	790744	Guard-Muffler Used on Type No(s). 0464, 0465.	883	★△691880	Gasket-Exhaust
562	92613	Bolt (Governor Control Lever)	836	690664	Screw (Muffler Guard) (13/32" Long)	913	494409	Seat-Check Valve
578	398153	Wire Assembly Used on Type No(s). 0015, 0016, 0018.	836A	790745	Screw (Muffler Guard) (1/2" Long)	921	694044	Cover-Blower Housing Used on Type No(s). 0352.
592	690800	Nut (Rewind Starter)	836B	691125	Screw (Muffler Guard) (2/3" Long)	921A	698709	Cover-Blower Housing
597	691696	Screw (Pawl Friction Plate)	842	★691876	Seal-O Ring (Dipstick Tube)	922	692135	Spring-Brake
608	499706	Starter-Rewind	847	691440	Dipstick/Tube Assembly	923	691487	Brake
612	496046	Tube-Pick Up	851	493880	Terminal-Spark Plug	925	691349	Cover-Linkage Used on Type No(s). 0257. (Used Before Code Date 03020300).
613	691413	Screw (Muffler)				957	497929	Cap-Fuel Tank
615	690340	Retainer-Governor Shaft				957A	692050	Cap-Fuel Tank Used on Type No(s). 0171.
616	697405	Crank-Governor				969	694046	Screw (Blower Housing Cover)
617	270344	Seal-O Ring (Intake Manifold)						
621	692310	Switch-Stop						
633	691321	Seal-Choke/Throttle Shaft (Throttle)						

★ Engine Gasket Set-Reference 358

△ Valve Gasket Set-Reference 1095

**10G900**

REF. NO.	PART NO.	DESCRIPTION	REF. NO.	PART NO.	DESCRIPTION	REF. NO.	PART NO.	DESCRIPTION
976	694394	Primer-Carburetor	1058	275508	Operator's Manual	1277	698718	Guard-Governor Nut
1019	697428	Kit-Label	1095	498526	Gasket Set-Valve	1278	691002	Screw
1036	790715	Label-Emissions (Used After Code Date 04063000).	1210	499901	Pulley/Spring Assembly (Pulley)	1330	270962	Repair Manual
		----- <b>Note</b> ----- <b>695108</b> Label- Emissions (Used Before Code Date 04070100).	1211	499901	Pulley/Spring Assembly (Spring)			

★ Engine Gasket Set-Reference 358

△ Valve Gasket Set-Reference 1095