



**12F700**

# Illustrated Parts List

## Model Series

# 12F700

TYPE NUMBERS  
0505 through 2791.

### TABLE OF CONTENTS

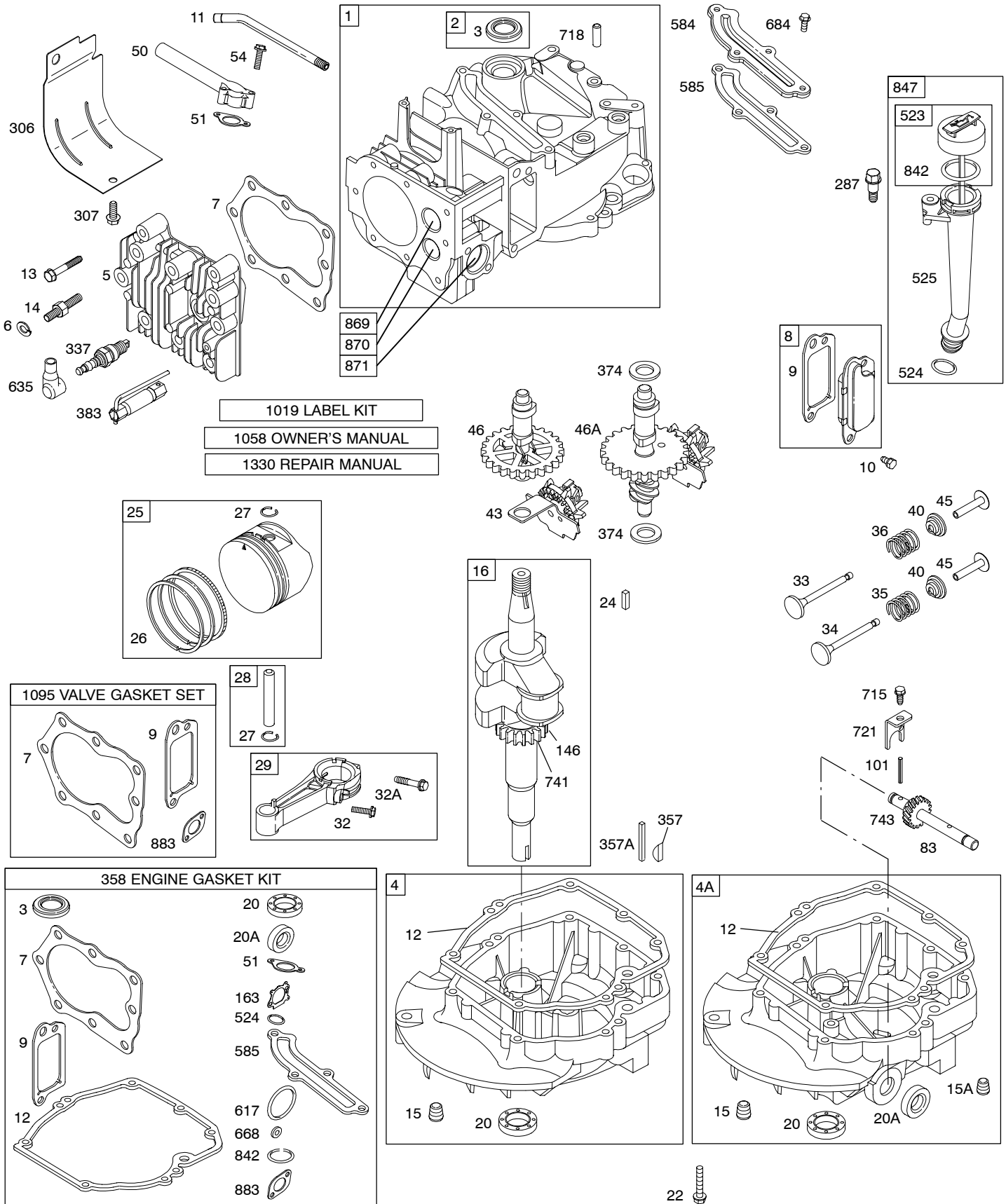
Alternator .....	7
Air Cleaner .....	4
Blower Housing/Shrouds .....	6
Camshaft .....	2
Carburetor .....	3
Controls .....	5
Crankshaft .....	2
Cylinder .....	2
Electric Starter .....	7
Electrical .....	7
Engine Sump .....	2
Exhaust System .....	4
Flywheel .....	6
Flywheel Brake .....	7
Fuel Supply .....	5
Governor Spring .....	5
Ignition .....	7
Kits/Gaskets .....	2 & 3
Lubrication .....	2
Piston Group .....	2
Rewind Starter .....	6
Valves .....	2



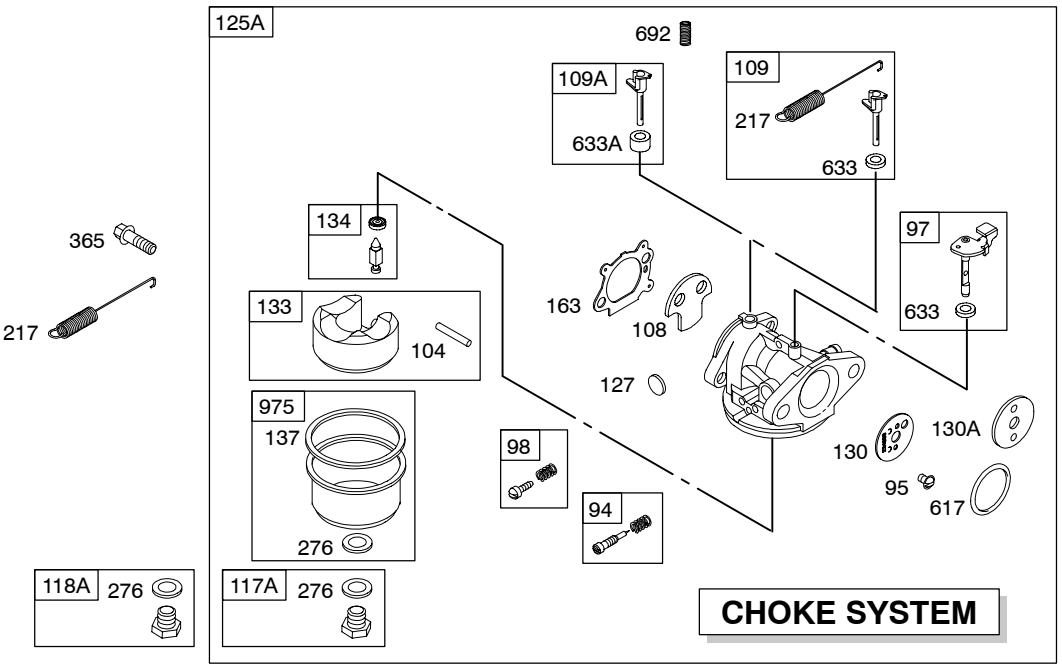
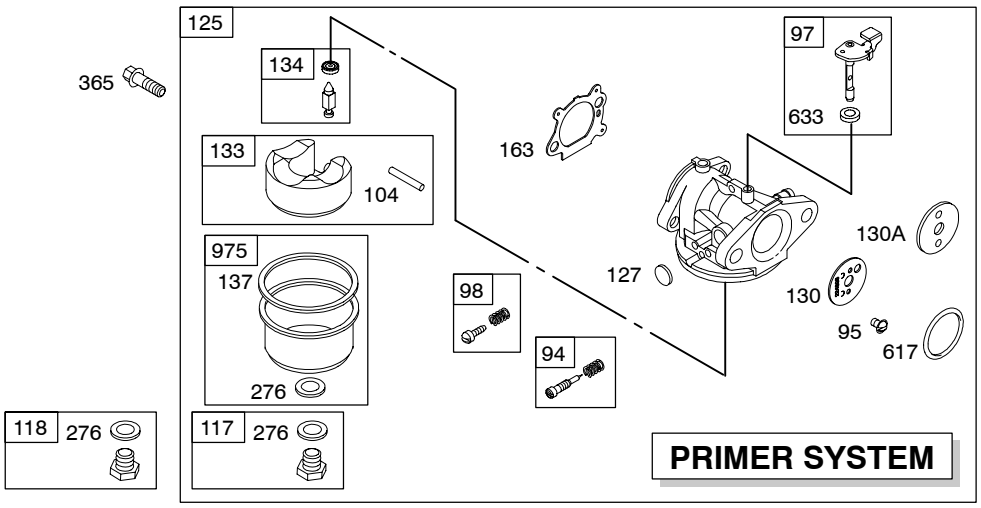
PRINTED IN U.S.A.

COPYRIGHT by BRIGGS & STRATTON CORPORATION  
All rights reserved. No part of this material may be reproduced or transmitted, in any form or by any means, electronic or mechanical, including photocopying, recording or by any information storage and retrieval system, without permission in writing from Briggs & Stratton Corporation.

# 12F700



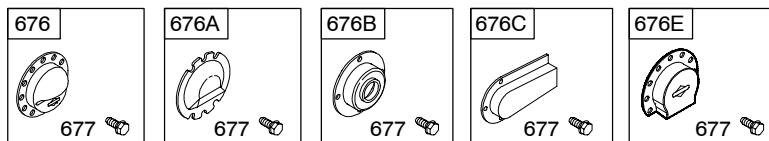
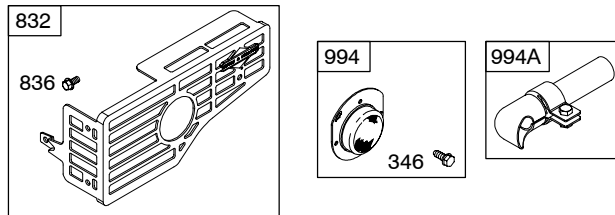
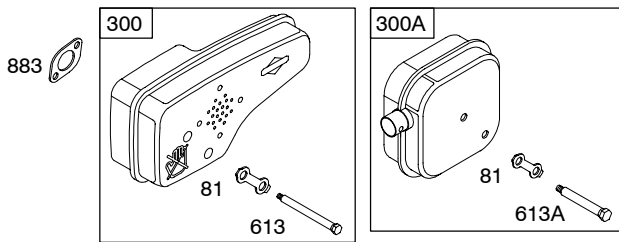
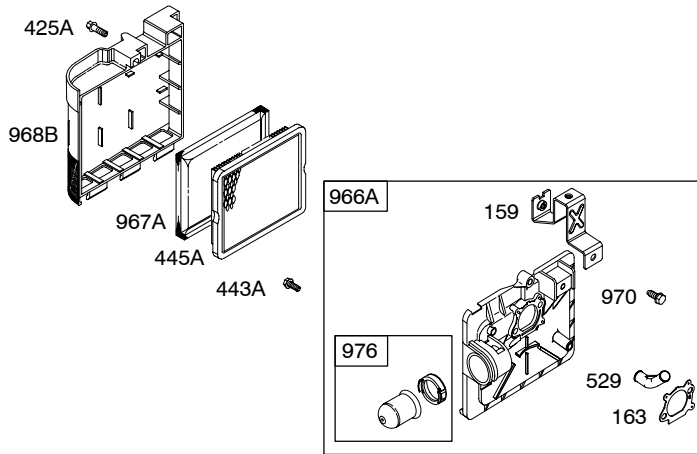
Illustrations cover a range of engines. Parts shown without corresponding text may not be used on your specific engine.  
 0535-2 Assemblies include all parts shown in frames. 09/21/2005



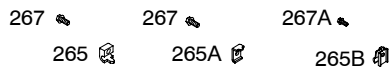
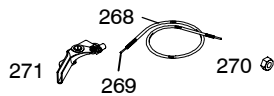
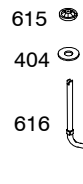
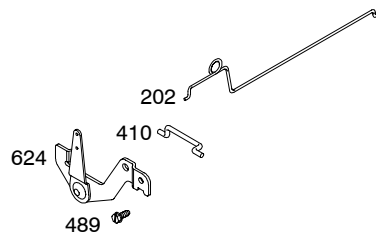
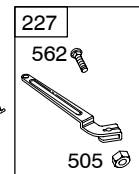
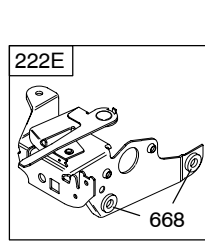
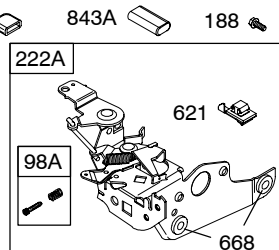
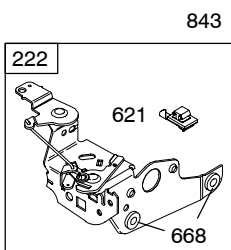
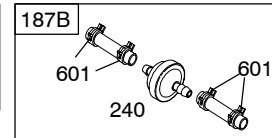
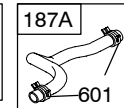
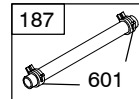
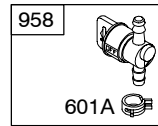
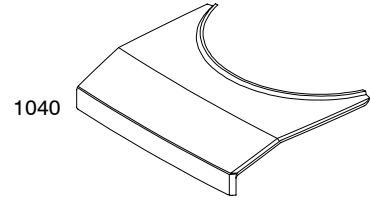
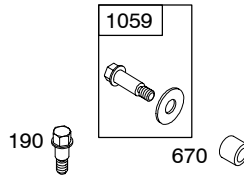
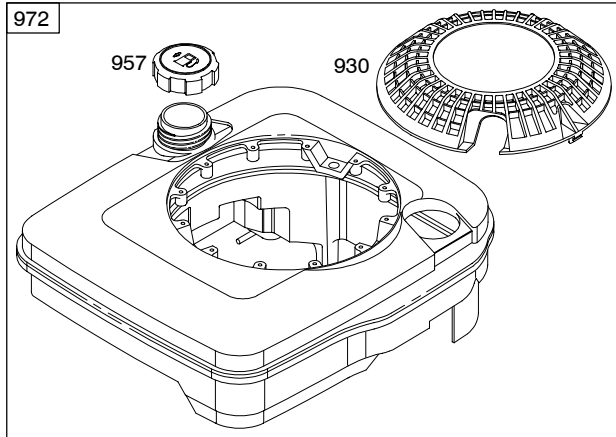
121 CARBURETOR OVERHAUL KIT		
94	134	276
104	137	617
127	163	633
		633A

977 CARBURETOR GASKET SET		
137	276	633
163	617	633A

# 12F700

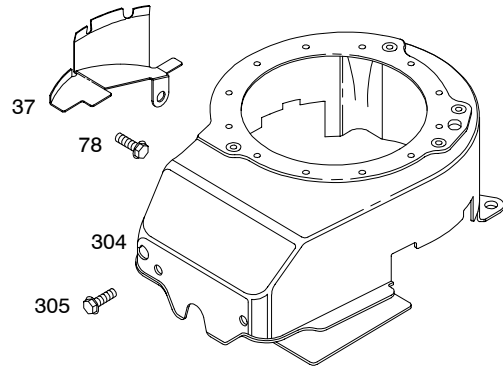
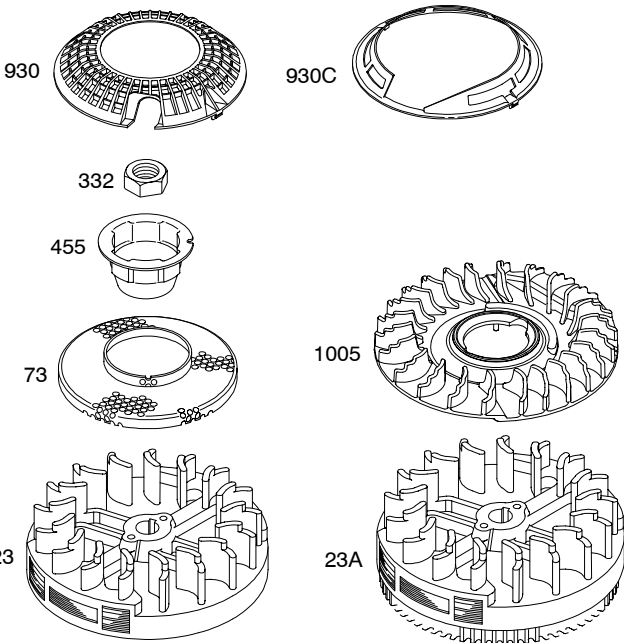
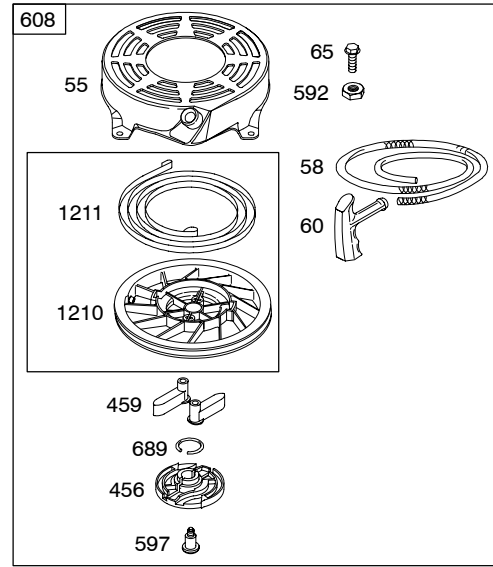
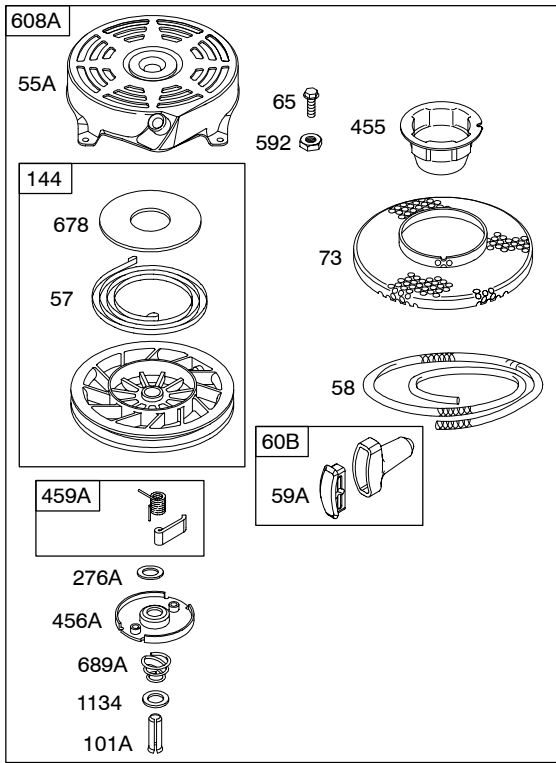


*Illustrations cover a range of engines. Parts shown without corresponding text may not be used on your specific engine.*  
0535-4 Assemblies include all parts shown in frames. 09/21/2005

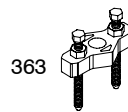


0535-5 *Illustrations cover a range of engines. Parts shown without corresponding text may not be used on your specific engine.* Assemblies include all parts shown in frames. 09/21/2005

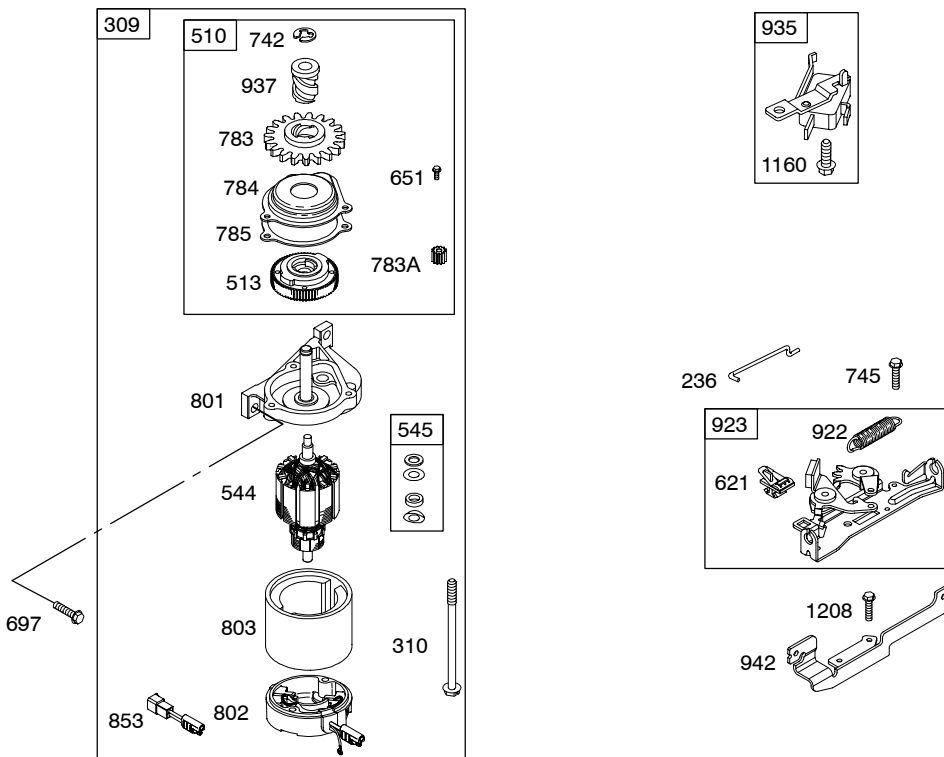
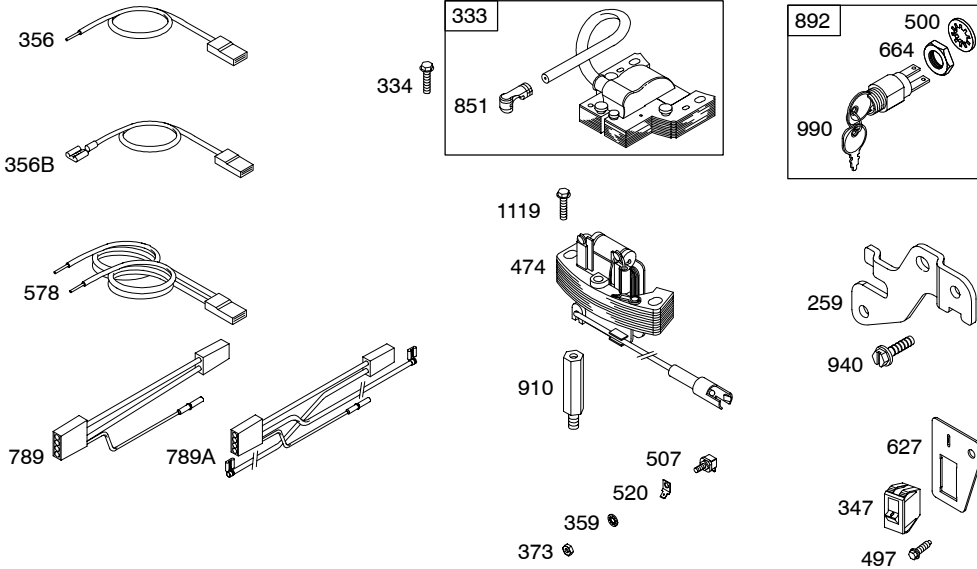
# 12F700



1036 EMISSION LABEL



0535-6 *Illustrations cover a range of engines. Parts shown without corresponding text may not be used on your specific engine.* Assemblies include all parts shown in frames. 09/21/2005



Illustrations cover a range of engines. Parts shown without corresponding text may not be used on your specific engine.  
 0535-7 Assemblies include all parts shown in frames. 09/21/2005

# 12F700

REF. NO.	PART NO.	DESCRIPTION	REF. NO.	PART NO.	DESCRIPTION	REF. NO.	PART NO.	DESCRIPTION
1	697322	Cylinder Assembly	16	691451	Crankshaft (Used After Code Date 97011200).			
2	399269	Kit-Bushing/Seal (Magneto Side)						<b>691453</b> Crankshaft (Used After Code Date 97011200).
3	*299819	Seal-Oil (Magneto Side)			----- <b>Note</b> -----			Used on Type No(s). 2617.
4	493279	Sump-Engine ----- <b>Note</b> ----- <b>497318</b> Sump-Engine Used on Type No(s). 0610, 0611.			<b>694442</b> Crankshaft (Used Before Code Date 97011300).			<b>690794</b> Crankshaft (Used Before Code Date 97011300). Used on Type No(s). 2617.
4A	493365	Sump-Engine (Auxiliary PTO)			<b>691450</b> Crankshaft (Used After Code Date 97011200). Used on Type No(s). 0608, 0635, 0662, 0670, 0676, 0677, 0682, 0687, 0708, 1708, 1735, 1762, 1776, 2625, 2655, 2725, 2755.			<b>691454</b> Crankshaft (Used After Code Date 97011200). Used on Type No(s). 2626, 2726.
5	691160	Head-Cylinder			<b>694440</b> Crankshaft (Used Before Code Date 97011300). Used on Type No(s). 0608, 0610, 0611, 0635, 0662, 0670, 0676, 0677, 0682, 0687, 0708, 1735, 1776, 2625, 2655.			<b>691455</b> Crankshaft (Used After Code Date 97011200). Used on Type No(s). 0505, 0507, 0648, 0658, 0671, 0672, 0715, 0716, 0758, 1815, 1855, 1858, 1862, 1868, 2618, 2718.
6	690371	Washer (Cylinder Head)						<b>691375</b> Crankshaft (Used Before Code Date 97011300). Used on Type No(s). 0505, 0507, 0648, 0658, 0671, 0672, 0715, 0755, 0758, 2618.
7	*Ø692249	Gasket-Cylinder Head						<b>692980</b> Crankshaft (Used After Code Date 97011200). Used on Type No(s). 0615, 1715.
8	695250	Breather Assembly						<b>694443</b> Crankshaft (Used Before Code Date 97011300). Used on Type No(s). 0615.
9	*Ø272481	Gasket-Breather						<b>690814</b> Crankshaft Used on Type No(s). 0657.
10	94650	Screw (Breather Assembly)						
11	691781	Tube-Breather						
12	*692232	Gasket-Crankcase						
13	690912	Screw (Cylinder Head)						
14	690368	Stud (Cylinder Head)						
15	691680	Plug-Oil Drain (Square Socket)						
15A	691093	Plug-Oil Drain (Hex Socket)						

★ Included in Engine Gasket Set-Ref. No.358.

● Included in Carburetor Overhaul Kit-Ref. No. 121.

◆ Included in Carburetor Gasket Set-Ref. No. 977.

Ø Included in Valve Gasket Set-Ref. No 1095.

**Illustrations cover a range of engines. Parts shown without corresponding text may not be used on your specific engine.**



**12F700**

REF. NO.	PART NO.	DESCRIPTION	REF. NO.	PART NO.	DESCRIPTION	REF. NO.	PART NO.	DESCRIPTION
20	★399781	Seal-Oil (PTO Side)	25	790359	Piston Assembly (Standard) (Used After Code Date 04031400).	26	790360	Ring Set (Standard) (Used After Code Date 04031400).
20A	★691952	Seal-Oil (PTO Side) (Auxiliary PTO)			----- <b>Note</b> -----			----- <b>Note</b> -----
22	691092	Screw Crankcase Cover/Sump		499429	Piston Assembly (Standard) (Used After Code Date 97011200 and Before Code Date 04031500).		499425	Ring Set (Standard) (Used After Code Date 97011200 and Before Code Date 04031500).
23	692315	Flywheel (Rewind Start)		493262	Piston Assembly (Standard) (Used Before Code Date 97011300).		493261	Ring Set (Standard) (Used Before Code Date 97011300).
23A	691987	Flywheel (Electric Start) ----- <b>Note</b> ----- 691992 Flywheel (Electric Start) Used on Type No(s). 0505, 0507, 0632, 0633, 0634, 0641, 0648, 0658, 0667, 0671, 0672, 0675, 0707, 0711, 0715, 0716, 0755, 0758, 1733, 1734, 1741, 1778, 1779, 1780, 1781, 1785, 1805, 1807, 1815, 1821, 1824, 1855, 1858, 1866, 1867, 1868, 1869, 1870, 2763.		499430	Piston Assembly (.010" Oversize) (Used After Code Date 97011200).		499426	Ring Set (.010" Oversize) (Used After Code Date 97011200).
				493385	Piston Assembly (.010" Oversize) (Used Before Code Date 97011300).		493388	Ring Set (.010" Oversize) (Used Before Code Date 97011300).
24	222698	Key-Flywheel		791326	Piston Assembly (.020" Oversize) (Used After Code Date 04102100).		791324	Ring Set (.020" Oversize) (Used After Code Date 04102100).
				499431	Piston Assembly (.020" Oversize) (Used After Code Date 97011200 and Before Code Date 04102200).		499427	Ring Set (.020" Oversize) (Used After Code Date 97011200 and Before Code Date 04102200).
				493386	Piston Assembly (.020" Oversize) (Used Before Code Date 97011300).		493389	Ring Set (.020" Oversize) (Used Before Code Date 97011300).
				499432	Piston Assembly (.030" Oversize) (Used After Code Date 97011200).		499428	Ring Set (.030" Oversize) (Used After Code Date 97011200).
				493387	Piston Assembly (.030" Oversize) (Used Before Code Date 97011300).		493390	Ring Set (.030" Oversize) (Used Before Code Date 97011300).

★ Included in Engine Gasket Set-Ref. No.358.

● Included in Carburetor Overhaul Kit-Ref. No. 121.

◆ Included in Carburetor Gasket Set-Ref. No. 977.

⊘ Included in Valve Gasket Set-Ref. No 1095.

*Illustrations cover a range of engines. Parts shown without corresponding text may not be used on your specific engine.*

0535-9

Assemblies include all parts shown in frames.

09/21/2005

# 12F700

REF. NO.	PART NO.	DESCRIPTION	REF. NO.	PART NO.	DESCRIPTION	REF. NO.	PART NO.	DESCRIPTION
27	691866	Lock-Piston Pin (Used After Code Date 97011200). ----- <b>Note</b> ----- 691588 Lock-Piston Pin (Used Before Code Date 97011300).	34	262652	Valve-Intake	50	497465	Manifold-Intake
28	499423	Pin-Piston (Standard) (Used After Code Date 97011200). ----- <b>Note</b> ----- 298909 Pin-Piston (Standard) (Used Before Code Date 97011300). 298908 Pin-Piston (.005" Oversize) (Used Before Code Date 97011300).	35	691270	Spring-Valve (Intake)	51	★272199	Gasket-Intake
29	499424	Rod-Connecting (Standard) (Used After Code Date 97011200). ----- <b>Note</b> ----- 490566 Rod-Connecting (Standard) (Used Before Code Date 97011300). 490743 Rod-Connecting (.020" Undersize) (Used Before Code Date 97011300).	36	691270	Spring-Valve (Exhaust)	54	691650	Screw (Intake Manifold)
32	691664	Screw (Connecting Rod)	37	694086	Guard-Flywheel	55	691421	Housing-Rewind Starter
32A	695759	Screw (Connecting Rod) (Used After Code Date 00042200).	40	692194	Retainer-Valve	55A	492831	Housing-Rewind Starter
33	262651	Valve-Exhaust	43	691997	Slinger-Governor/Oil	57	491889	Spring-Rewind Starter
			45	690548	Tappet-Valve	58	280399	Rope-Starter (Cut To Required Length)
			46	691449	Camshaft (Used After Code Date 96060200). ----- <b>Note</b> ----- 492830 Camshaft (Used Before Code Date 96060300).	59A	396892	Insert-Grip
			46A	691460	Camshaft (Clockwise) (Used After Code Date 96060200). ----- <b>Note</b> ----- 493740 Camshaft (Clockwise) (Used Before Code Date 96060300). ----- <b>Note</b> ----- 691459 Camshaft (Counterclockwise) (Used After Code Date 96060200). Used on Type No(s). 0639, 0654, 0659, 0689, 0691, 2651, 2655, 2680, 2751. 493738 Camshaft (Counterclockwise) (Used Before Code Date 96060300). Used on Type No(s). 0639, 0654, 0659, 0689, 0691, 2651, 2655, 2680.	60	281434	Grip-Starter Rope
						60B	393152	Grip-Starter Rope
						65	690837	Screw (Rewind Starter)
						73	691221	Screen-Rotating
						78	691108	Screw (Flywheel Guard)
						81	691740	Lock-Muffler Screw
						83	691778	Shaft-Auxiliary Drive ----- <b>Note</b> ----- 690521 Shaft-Auxiliary Drive Used on Type No(s). 2680. 690522 Shaft-Auxiliary Drive Used on Type No(s). 2650, 2651, 2751. 690523 Shaft-Auxiliary Drive Used on Type No(s). 0646. 690527 Shaft-Auxiliary Drive Used on Type No(s). 0639, 0691.

★ Included in Engine Gasket Set-Ref. No.358.

● Included in Carburetor Overhaul Kit-Ref. No. 121.

◆ Included in Carburetor Gasket Set-Ref. No. 977.

⊘ Included in Valve Gasket Set-Ref. No 1095.

**Illustrations cover a range of engines. Parts shown without corresponding text may not be used on your specific engine.**

**12F700**

REF. NO.	PART NO.	DESCRIPTION	REF. NO.	PART NO.	DESCRIPTION	REF. NO.	PART NO.	DESCRIPTION
94	●493765	Kit-Idle Mixture	118	497315	Jet-Main (High Altitude) (Used After Code Date 96060200).	130	691203	Valve-Throttle ----- <b>Note</b> -----
95	691636	Screw (Throttle Valve)						696564 Valve-Throttle (Primer System) (Used After Code Date 01040800).
97	493267	Shaft-Throttle (Metal) ----- <b>Note</b> ----- 696565 Shaft-Throttle (Plastic)			496495 Jet-Main (High Altitude) (Used After Code Date 95102900 and Before Code Date 96060300).	130A	691181	Valve-Throttle ----- <b>Note</b> ----- 691203 Valve-Throttle Used on Type No(s). 1858, 2763.
98	398185	Kit-Idle Speed			497348 Jet-Main (High Altitude) (Used Before Code Date 95103000).	133	398187	Float-Carburetor
98A	493280	Kit-Idle Speed			118A 498981 Jet-Main (High Altitude) (Used After Code Date 96060200). ----- <b>Note</b> ----- 496063 Jet-Main (High Altitude) (Used Before Code Date 96060300).	134	●398188	Kit-Needle/Seat
101	691623	Pin-Shaft			121 498260 Kit-Carburetor Overhaul	137	●●693981	Gasket-Float Bowl
101A	262626	Pin-Shaft			125 498170 Carburetor (Primer System) (Used After Code Date 96060200). ----- <b>Note</b> ----- 498254 Carburetor (Primer System) (Used Before Code Date 96060300).	144	493824	Pulley/Spring Assembly
104	●691242	Pin-Float Hinge			125A 498965 Carburetor (Choke System) (Used After Code Date 96060200). ----- <b>Note</b> ----- 494217 Carburetor (Choke System) (Used Before Code Date 96060300).	146	690979	Key-Timing
108	691182	Valve-Choke			127 ●694468 Plug-Welch	159	691753	Bracket-Air Cleaner Primer
109	494218	Shaft-Choke				163	◆◆272653	Gasket-Air Cleaner
109A	498593	Shaft-Choke Used on Type No(s). 1858, 2763.				187	791766	Line-Fuel (Cut to Required Length) (Used After Code Date 05063000). ----- <b>Note</b> ----- 691050 Line-Fuel (Cut to Required Length) (Used Before Code Date 05070100).
117	494870	Jet-Main (Standard) (Used After Code Date 96060200). ----- <b>Note</b> ----- 497466 Jet-Main (Standard) (Used After Code Date 95102900 and Before Code Date 96060300). 497315 Jet-Main (Standard) (Used Before Code Date 95103000).				187A	791873	Line-Fuel (Molded) (Used After Code Date 05063000). ----- <b>Note</b> ----- 691371 Line-Fuel (Molded) (Used Before Code Date 05070100).
117A	498977	Jet-Main (Standard) (Used After Code Date 96060200). ----- <b>Note</b> ----- 493637 Jet-Main (Standard) (Used Before Code Date 96060300).				187B	791891	Line-Fuel (Includes Filter) (Used After Code Date 05063000). ----- <b>Note</b> ----- 692042 Line-Fuel (Includes Filter) (Used Before Code Date 05070100).

★ Included in Engine Gasket Set-Ref. No.358.

● Included in Carburetor Overhaul Kit-Ref. No. 121.

◆ Included in Carburetor Gasket Set-Ref. No. 977.

⊘ Included in Valve Gasket Set-Ref. No 1095.

*Illustrations cover a range of engines. Parts shown without corresponding text may not be used on your specific engine.*

# 12F700

REF. NO.	PART NO.	DESCRIPTION	REF. NO.	PART NO.	DESCRIPTION	REF. NO.	PART NO.	DESCRIPTION
188	690877	Screw (Control Bracket)	209A	691834	Spring-Governor ----- <b>Note</b> -----	222	790143	Bracket-Control (Remote/Manual Friction) (Primer)
190	690940	Screw (Fuel Tank)		691835	Spring-Governor Used on Type No(s). 0615, 0632, 0667.	222A	692021	Bracket-Control (Remote Choke A Matic, Non Compliance) ----- <b>Note</b> -----
202	691829	Link-Mechanical Governor		691833	Spring-Governor Used on Type No(s). 0655, 0658, 0671.		690839	Bracket-Control (Manual Friction) (Choke A Matic) Used on Type No(s). 0507, 0675, 0708, 0755, 0758, 2615, 2616, 2617, 2618, 2624, 2625, 2626, 2650, 2651, 2655, 2660, 2680.
209	699056	Spring-Governor ----- <b>Note</b> ----- 691851 Spring-Governor Used on Type No(s). 0620, 0635, 0649, 0662, 0670, 0680, 0682, 0684, 0707, 0715, 0716, 1735, 1762, 1784, 1807, 1815, 2790. 691292 Spring-Governor Used on Type No(s). 0608, 0616, 0659, 0665, 0689, 0716, 0754, 0761, 1708, 1715, 1716, 1765, 1766, 1767. 691291 Spring-Governor Used on Type No(s). 0505, 0648, 0672, 0711, 1712, 1733, 1734, 1778, 1779, 1780, 1781, 1805, 1821, 1824, 1855, 1858, 1859, 1866, 1867, 1868, 1869, 1870, 2763. 691290 Spring-Governor Used on Type No(s). 0610, 0611, 0640, 0676, 0677, 0687, 1740, 1776.		691832	Spring-Governor Used on Type No(s). 0633, 0634. 691276 Spring-Governor Used on Type No(s). 2651, 2680. 691275 Spring-Governor Used on Type No(s). 2690. 690568 Spring-Governor Used on Type No(s). 0507,0641, 0708, 0755, 0758, 1741. 690567 Spring-Governor Used on Type No(s). 0646.	222E	692982	Bracket-Control
			217	690354	Spring-Choke Return	227	690783	Lever-Governor Control
						236	691826	Link-Lockout
						240	298090	Filter-Fuel
						259	691223	Bracket-Casing Clamp
						265	690798	Clamp-Casing
						265A	691024	Clamp-Casing
						265B	692179	Clamp-Casing
						267	691044	Screw (Casing Clamp)
						267A	691100	Screw (Casing Clamp)
						268	691072	Casing-Control Wire (Cut to Required Length)
						269	691026	Wire-Control (Cut to Required Length)

★ Included in Engine Gasket Set-Ref. No.358.

● Included in Carburetor Overhaul Kit-Ref. No. 121.

◆ Included in Carburetor Gasket Set-Ref. No. 977.

⊘ Included in Valve Gasket Set-Ref. No 1095.

**Illustrations cover a range of engines. Parts shown without corresponding text may not be used on your specific engine.**

0535-12

Assemblies include all parts shown in frames.

09/21/2005

REF. NO.	PART NO.	DESCRIPTION	REF. NO.	PART NO.	DESCRIPTION	REF. NO.	PART NO.	DESCRIPTION
270	691027	Nut (Control Wire Casing)	333	802574	Armature-Magneto	489	691044	Screw (Linkage Lever)
271	691028	Lever-Control	334	691061	Screw (Magneto Armature)	497	690664	Screw (Stopswitch Bracket)
276	♦271716	Washer-Sealing	337	802592	Plug-Spark (Resistor)	500	691086	Washer (Key Switch)
276A	280973	Washer-Sealing	----- <b>Note</b> -----			505	691251	Nut (Governor Control Lever)
287	690940	Screw (Dipstick Tube)	346	690661	Screw (Spark Arrestor)	507	691972	Insulator
300	496106	Muffler	347	691396	Switch-Rocker	510	494147	Drive-Starter
300A	494343	Muffler (Square Lo Tone)	356	692390	Wire-Stop	513	692358	Clutch-Drive
304	493293	Housing-Blower ----- <b>Note</b> ----- 493294 Housing-Blower Used on Type No(s). 0505, 0507,0610, 0611, 0632, 0633, 0634, 0635, 0640, 0641, 0646, 0648, 0655, 0658, 0662, 0667, 0670, 0671, 0672, 0675, 0676, 0677, 0680, 0682, 0684, 0687, 0707, 0708, 0711, 0715, 0716, 0755, 0758, 0761, 1712, 1734, 1735, 1740, 1741, 1762, 1776, 1778, 1779, 1780, 1781, 1785, 1805, 1807, 1815, 1821, 1824, 1855, 1858, 1859, 1866, 1867, 1868, 1869, 1870, 2763.	356B	693010	Wire-Stop	520	691084	Terminal-Ground
			357	94329	Key-Drive Pulley (Woodruff)	523	495264	Dipstick
			357A	692191	Key-Drive Pulley (3/16" Square)	524	★692296	Seal-Dipstick Tube
			358	497316	Gasket Set-Engine	525	495265	Tube-Dipstick
			359	691077	Washer (Ground Terminal)	529	691923	Grommet
			363	19069	Puller-Flywheel	544	690786	Armature-Starter
			365	691688	Screw (Carburetor)	545	492919	Washer Set (Starter Motor)
			373	691612	Nut (Ground Terminal)	562	92613	Bolt (Governor Control Lever)
			374	691074	Washer (Camshaft)	578	398153	Wire Assembly
			383	89838	Wrench-Spark Plug	584	697734	Cover-Breather Passage
			404	690272	Washer (Governor Crank)	585	★691879	Gasket-Breather Passage
			410	690575	Link-Control	592	690800	Nut (Rewind Starter)
			425A	690670	Screw (Air Cleaner Cover)	597	691696	Screw (Pawl Friction Plate)
			443A	692523	Screw (Air Cleaner Primer Base)	601	95162	Clamp-Hose (Green)
			445A	491588	Filter-Air Cleaner Cartridge	601A	691038	Clamp-Hose (Black)
			455	695161	Cup-Flywheel	608	497680	Starter-Rewind
			455A	224250	Cup-Flywheel	608A	497598	Starter-Rewind
			456	692299	Plate-Pawl Friction	613	691340	Screw (Muffler)
			456A	224321	Plate-Pawl Friction	613A	691653	Screw (Muffler)
			459	281505	Plate-Ratchet	615	690340	Retainer-Governor Shaft
			459A	492833	Ratchet-Pawl			
			474	691991	Alternator			

★ Included in Engine Gasket Set-Ref. No.358.

● Included in Carburetor Overhaul Kit-Ref. No. 121.

◆ Included in Carburetor Gasket Set-Ref. No. 977.

⊘ Included in Valve Gasket Set-Ref. No 1095.

*Illustrations cover a range of engines. Parts shown without corresponding text may not be used on your specific engine.*

# 12F700

REF. NO.	PART NO.	DESCRIPTION	REF. NO.	PART NO.	DESCRIPTION	REF. NO.	PART NO.	DESCRIPTION		
616	698801	Crank-Governor	741	790345	Gear-Timing (Use Without Woodruff Key)	801	690782	Cap-Drive		
617	♦♦270344	Seal-O Ring (Intake-Manifold)			----- <b>Note</b> -----	802	695267	Cap-End (Used After Code Date 00040600).		
621	692310	Switch-Stop			691830 Gear-Timing (Uses Woodruff Key)			----- <b>Note</b> -----		
624	691419	Lever-Linkage			742	93941	Retainer-E Ring	695975 Cap-End (Used Before Code Date 00040700).		
627	692872	Bracket-Stopswitch	743	690516	Gear-Drive (Clockwise)			803	695266	Housing-Starter (Used After Code Date 00040600).
633	♦♦691321	Seal-Choke/Throttle Shaft			----- <b>Note</b> -----					----- <b>Note</b> -----
633A	♦♦693867	Seal-Choke/Throttle Shaft Used on Type No(s). 1858, 2763.			691772 Gear-Drive (Counterclockwise) Used on Type No(s). 0639, 0654, 0659, 0689, 0691, 2651, 2655, 2680, 2751.					
635	66538	Boot-Spark Plug			745	691648	Screw (Brake)	832	499034	Guard-Muffler
651	691660	Screw (Starter Gear Cover)	783	691918	Gear-Pinion	836	690664	Screw (Muffler Guard)		
664	691087	Nut (Key Switch)	783A	691269	Gear-Pinion	842	★691031	Seal-O Ring (Dipstick Tube)		
668	★493823	Spacer (Includes 2)	784	692341	Cover-Starter Gear	843	691895	Sleeve-Lever		
670	692294	Spacer-Fuel Tank	785	692352	Gasket-Starter Cover	843A	691884	Sleeve-Lever		
676	396548	Deflector-Muffler (Louvered)	789	696546	Harness-Wiring (Used on Engines Without Band Brake) (Used After Code Date 00040600).	847	692017	Dipstick/Tube Assembly		
676A	393756	Deflector-Muffler (Side Out)(Shallow)			----- <b>Note</b> -----			851	493880	Terminal-Spark Plug
676B	397931	Deflector-Muffler (Direct Out)			690790 Harness- Wiring (Used on Engines Without Band Brake) (Used Before Code Date 00040700).			853	695268	Adapter-Wire
676C	493871	Deflector-Muffler (Side Out)(Extended) (Horseshoe)			789A	696547	Harness-Wiring (Used on Engines With Band Brake) (Used After Code Date 00040600).	869	691155	Seat-Valve (Intake)
676E	393760	Deflector-Muffler (Side Out)(Deep)			----- <b>Note</b> -----			870	690380	Seat-Valve (Exhaust)
677	690661	Screw (Muffler Deflector)			691372 Harness- Wiring (Used on Engines With Band Brake) (Used Before Code Date 00040700).			871	262001	Bushing-Valve Guide (Exhaust)
678	224278	Spacer-Rewind			----- <b>Note</b> -----					----- <b>Note</b> -----
684	690345	Screw (Breather Passage Cover)								63709 Bushing-Valve- Guide (Intake)
689	691855	Spring-Friction						883	★∅691881	Gasket-Exhaust
689A	262625	Spring-Friction						892	690646	Switch-Key
692	690572	Spring-Detent						910	691094	Stud (Alternator)
697	691127	Screw (Drive Cap)						922	691831	Spring-Brake
715	691147	Screw (Shaft Stop)								
718	690959	Pin-Locating								
721	690449	Stop-Shaft								

★ Included in Engine Gasket Set-Ref. No.358.

● Included in Carburetor Overhaul Kit-Ref. No. 121.

♦ Included in Carburetor Gasket Set-Ref. No. 977.

∅ Included in Valve Gasket Set-Ref. No 1095.

*Illustrations cover a range of engines. Parts shown without corresponding text may not be used on your specific engine.*

REF. NO.	PART NO.	DESCRIPTION	REF. NO.	PART NO.	DESCRIPTION	REF. NO.	PART NO.	DESCRIPTION
923	691994	Brake	972	699392	Tank-Fuel (Plastic)	1036		Label-Emission (Available From An Authorized Briggs & Statton Sevice Dealer)
930	691919	Guard-Rewind			----- <b>Note</b> -----			
930C	690598	Guard-Rewind			<b>497218</b> Tank-Fuel (Plastic)	1040	281252	Plate-Trim
935	499421	Switch-Interlock			Used on Type No(s). 0615, 0710, 0754, 1715, 2615, 2690, 2715, 2790.	1058	276171	Owner's Manual
937	691325	Spline-Starter			<b>497343</b> Tank-Fuel (Plastic)	1059	692311	Kit-Screw/Washer
940	691044	Screw (Casing Clamp Bracket)			Used on Type No(s). 0755, 1855.	1095	498528	Gasket Set-Valve
942	690455	Bracket-Brake				1119	691648	Screw (Alternator)
946	691738	Stop-Rope				1134	224322	Washer (Pawl Friction Plate)
957	397974	Cap-Fuel Tank (Plastic)				1160	691627	Screw (Interlock Switch)
958	698183	Valve-Fuel Shut Off (Plastic)	975	493640	Bowl-Float	1208	691627	Screw (Brake Bracket)
966A	496116	Base-Air Cleaner Primer	976	694395	Primer-Carburetor	1210	498144	Pulley/Spring Assembly (Pulley)
967A	493537	Filter-Pre Cleaner	977	498261	Gasket Set-Carburetor	1211	498144	Pulley/Spring Assembly (Spring)
968B	692298	Cover-Air Cleaner	990	691959	Key Set	1330	270962	Manual-Repair
970	691669	Screw (Air Cleaner Primer Bracket)	994	398067	Arrestor-Spark			
			994A	692957	Arrestor-Spark			
			1005	691346	Fan-Flywheel			
			1019	494256	Kit-Label			

★ Included in Engine Gasket Set-Ref. No.358.

● Included in Carburetor Overhaul Kit-Ref. No. 121.

◆ Included in Carburetor Gasket Set-Ref. No. 977.

⊘ Included in Valve Gasket Set-Ref. No 1095.

*Illustrations cover a range of engines. Parts shown without corresponding text may not be used on your specific engine.*