



# 12E300

## Illustrated Parts List

### Model Series

# 12E300

TYPE NUMBERS  
0018 through 0275.

### TABLE OF CONTENTS

- Blower Housing/Shrouds** ..... 6
- Camshaft** ..... 2
- Carburetor** ..... 4
- Controls** ..... 5
- Crankcase Cover** ..... 2
- Crankshaft** ..... 2
- Cylinder** ..... 2
- Cylinder Head** ..... 3
- Electric Starter** ..... 5
- Exhaust System** ..... 6
- Flywheel** ..... 6
- Fuel Supply** ..... 4
- Governor Spring** ..... 5
- Ignition** ..... 5
- Kits/Gaskets - Carburetor** ..... 4
- Kits/Gaskets - Engine** ..... 2
- Kits/Gaskets - Valves** ..... 3
- Lubrication** ..... 2
- Piston Group** ..... 2
- Rewind Starter** ..... 5



PRINTED IN U.S.A.

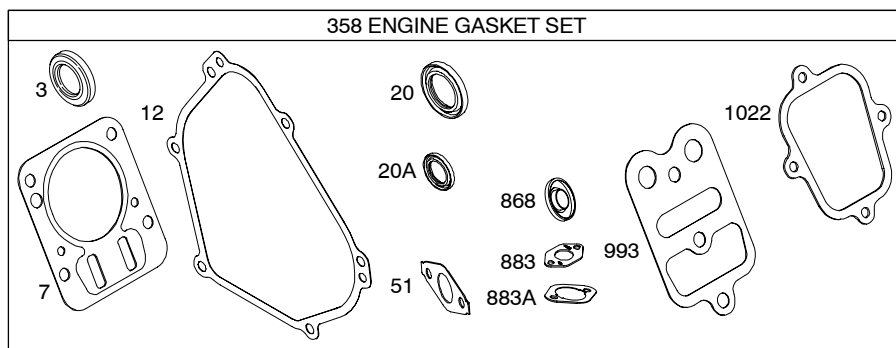
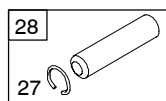
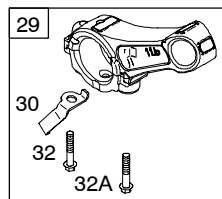
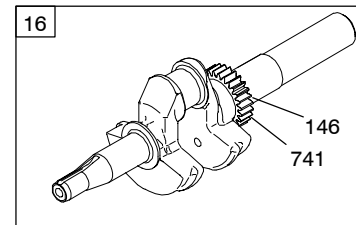
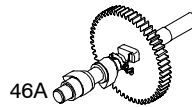
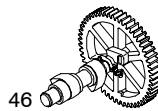
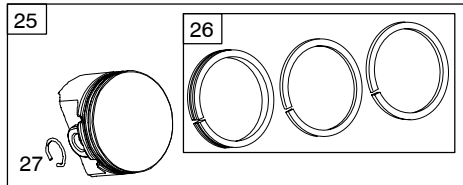
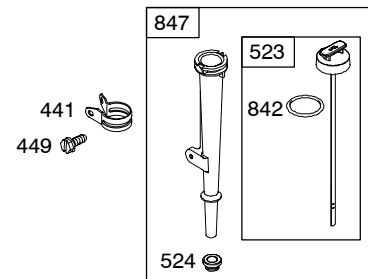
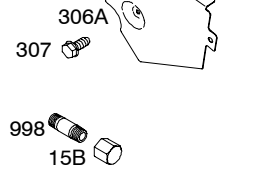
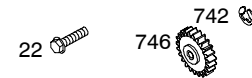
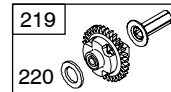
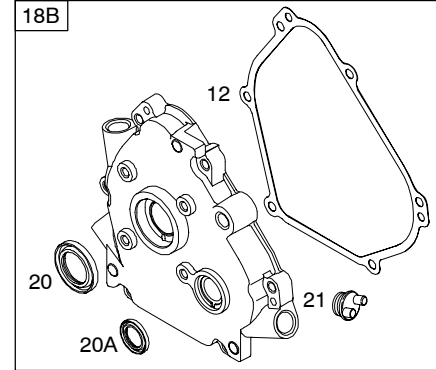
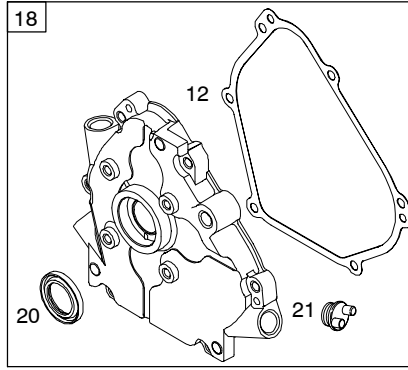
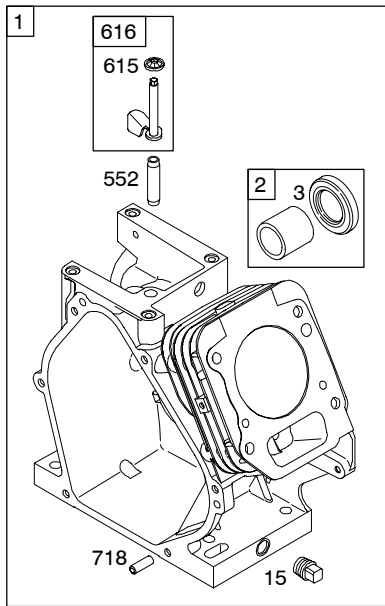
COPYRIGHT by BRIGGS & STRATTON CORPORATION  
All rights reserved. No part of this material may be reproduced or transmitted, in any form or by any means, electronic or mechanical, including photocopying, recording or by any information storage and retrieval system, without permission in writing from Briggs & Stratton Corporation.

# 12E300

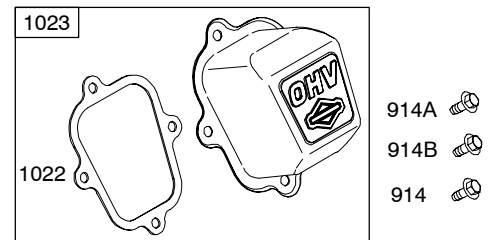
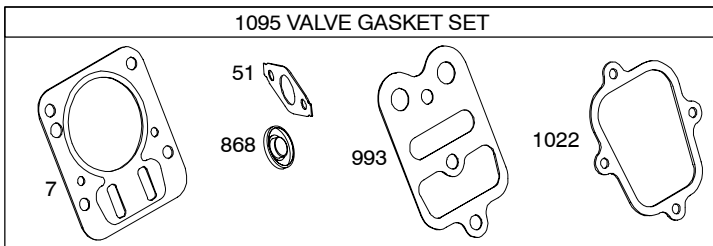
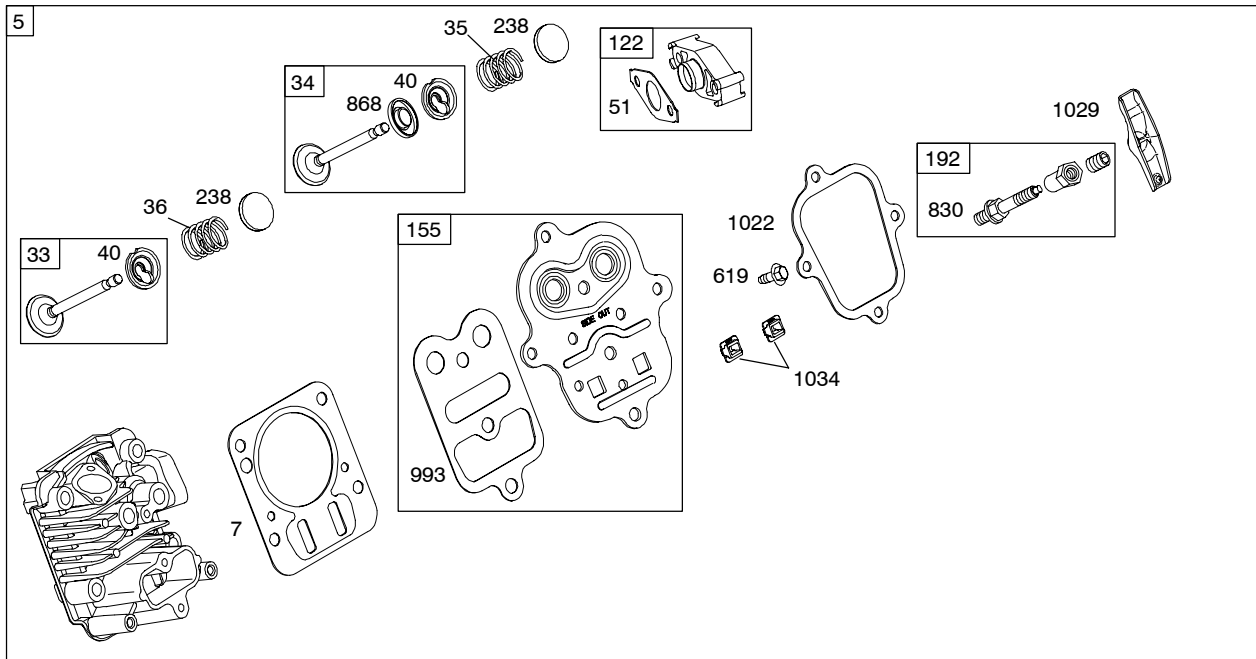
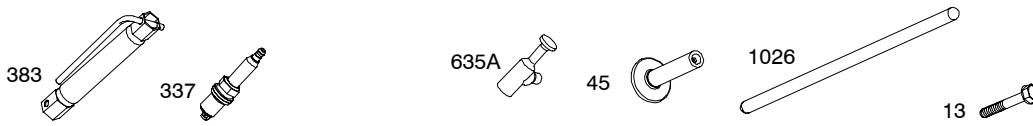
1019 LABEL KIT

1058 OWNER'S MANUAL

1330 REPAIR MANUAL

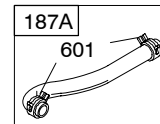
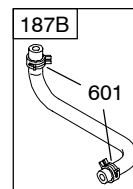
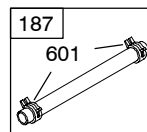
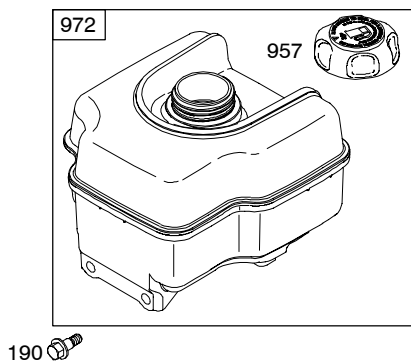
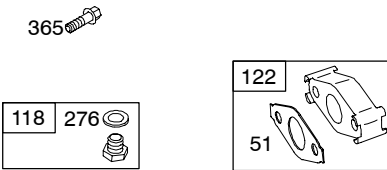
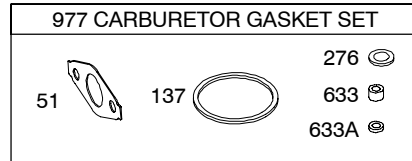
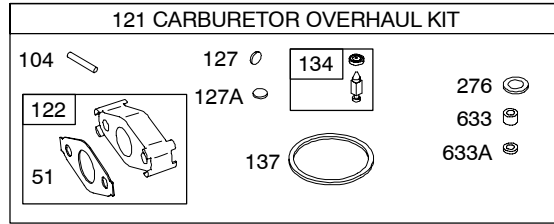
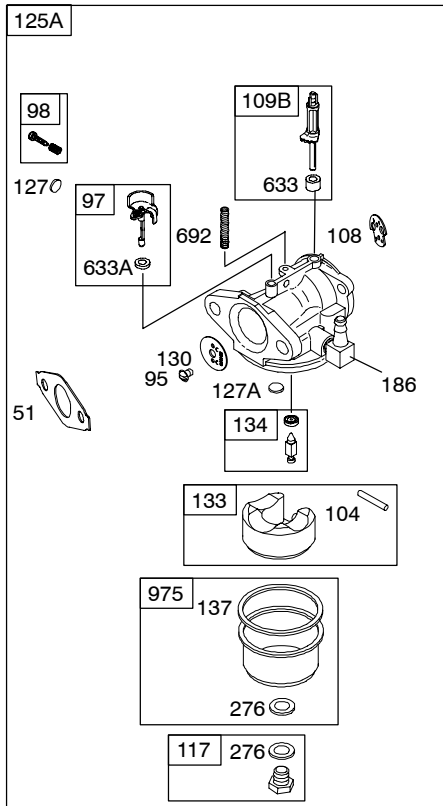


Illustrations cover a range of engines. Parts shown without corresponding text may not be used on your specific engine.

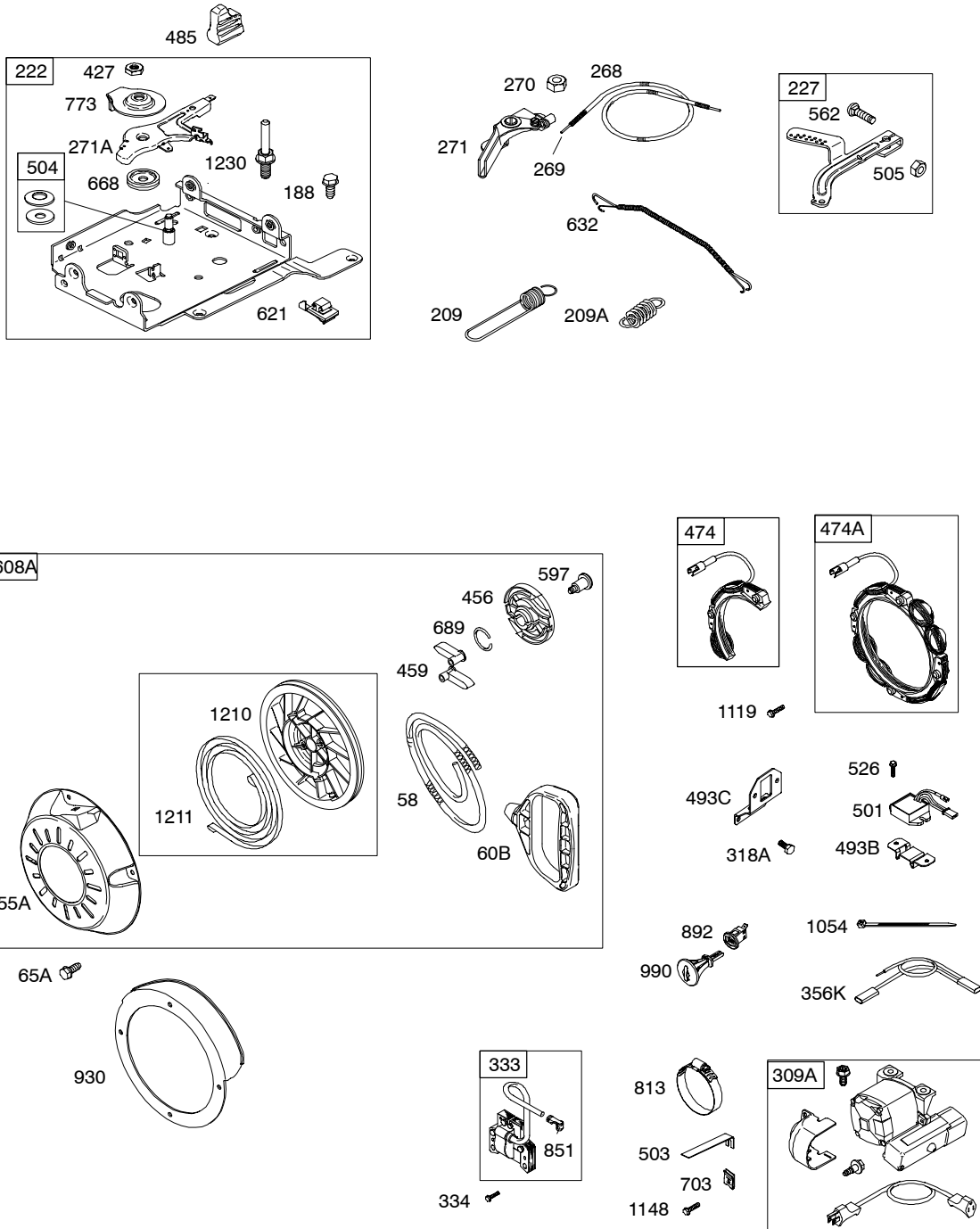


*Illustrations cover a range of engines. Parts shown without corresponding text may not be used on your specific engine.*  
**5750-3** Assemblies include all parts shown in frames. **11/11/2005**

# 12E300

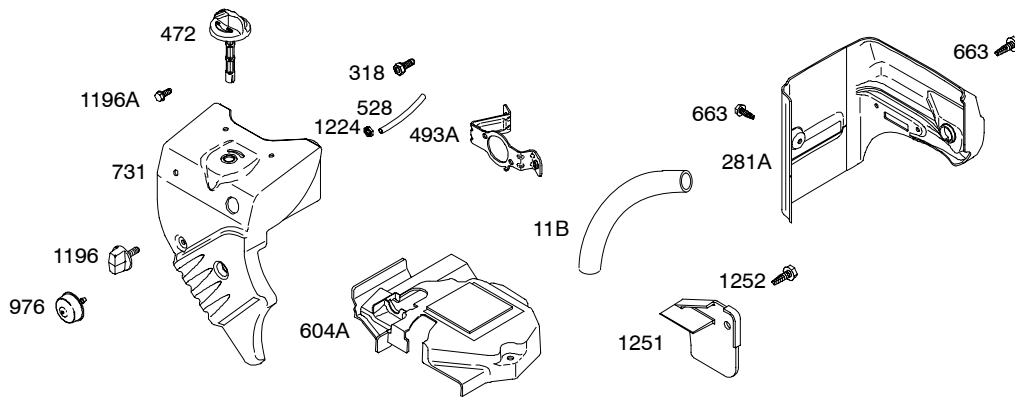


Illustrations cover a range of engines. Parts shown without corresponding text may not be used on your specific engine.

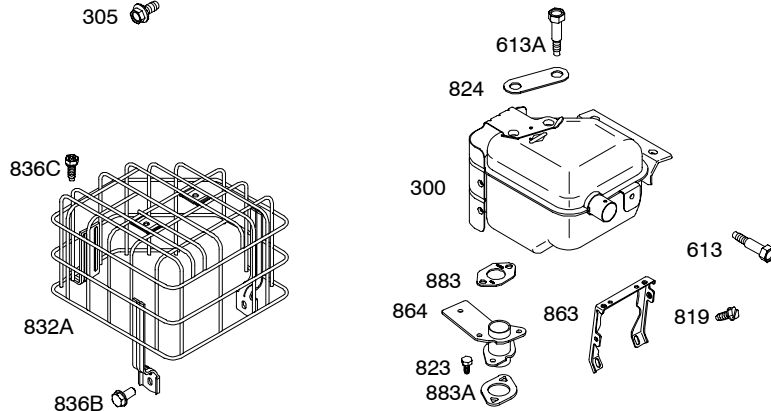
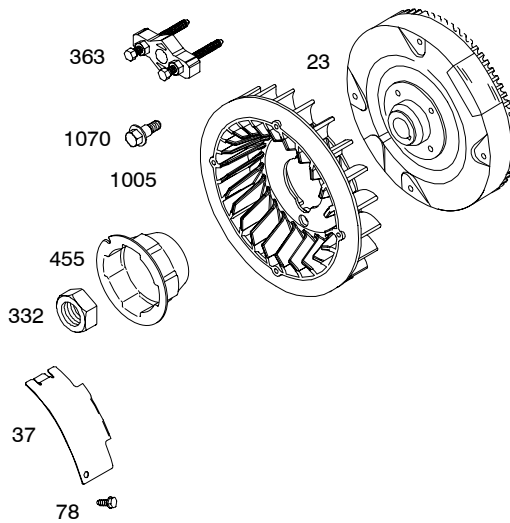
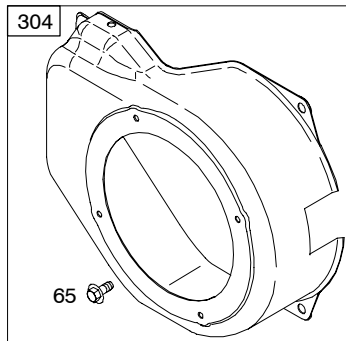


Illustrations cover a range of engines. Parts shown without corresponding text may not be used on your specific engine.

# 12E300



1036 EMISSION LABEL



*Illustrations cover a range of engines. Parts shown without corresponding text may not be used on your specific engine.*

REF. NO.	PART NO.	DESCRIPTION	REF. NO.	PART NO.	DESCRIPTION	REF. NO.	PART NO.	DESCRIPTION
1	699510	Cylinder Assembly	26	791969	Ring Set (Standard) (Used After Code Date 05060600).	95	691636	Screw (Throttle Valve)
2	399269	Kit-Bushing/Seal (Magneto Side)				97	690024	Shaft-Throttle
3	★299819S	Seal-Oil (Magneto Side)			----- <b>Note</b> -----	98	398185	Kit-Idle Speed
5	699486	Head-Cylinder			<b>499631</b> Ring Set (Standard)	104	●691242	Pin-Float Hinge
7	★∅698210	Gasket-Cylinder Head			(Used Before Code Date 05060700).	108	695807	Valve-Choke
11B	695745	Tube-Breather			<b>791324</b> Ring Set (.020" Oversize) (Used After Code Date 05060600).	109B	695729	Shaft-Choke
12	★699485	Gasket-Crankcase				117	690048	Jet-Main (Standard)
13	699482	Screw (Cylinder Head)				118	498977	Jet-Main (High Altitude)
15	691686	Plug-Oil Drain			<b>692786</b> Ring Set (.020" Oversize) (Used Before Code Date 05060700).	121	696998	Kit-Carburetor Overhaul
15B	695757	Plug-Oil Drain				122	●693749	Spacer-Carburetor
16	699445	Crankshaft				125A	791292	Carburetor
		----- <b>Note</b> -----				127	●694468	Plug-Welch
		<b>699454</b> Crankshaft Used on Type No(s). 0275.	27	691866	Lock-Piston Pin	127A	●691739	Plug-Welch
18	699804	Cover-Crankcase	28	499423	Pin-Piston	130	691181	Valve-Throttle
18B	699677	Cover-Crankcase	29	690124	Rod-Connecting	133	398187	Float-Carburetor
20	★692550	Seal-Oil (PTO Side)	30	692562	Dipper-Connecting Rod	134	●398188	Kit-Needle/Seat
20A	★691952	Seal-Oil (PTO Side) (Auxiliary Drive)	32	691664	Screw (Connecting Rod)	137	●693981	Gasket-Float Bowl
21	281658S	Cap-Oil Fill	32A	695759	Screw (Connecting Rod)	146	690979	Key-Timing
22	699478	Screw (Crankcase Cover/ Sump)	33	499642	Valve-Exhaust	155	698214	Plate-Cylinder Head
23	699516	Flywheel	34	499641	Valve-Intake	186	692317	Connector-Hose
24	222698S	Key-Flywheel	35	691304	Spring-Valve (Intake)	187	791766	Line-Fuel (Cut to Required Length) (Used After Code Date 05063000).
25	791968	Piston Assembly (Standard) (Used After Code Date 05060600).	36	691304	Spring-Valve (Exhaust)			----- <b>Note</b> -----
		----- <b>Note</b> -----	37	699661	Guard-Flywheel			<b>691050</b> Line-Fuel (Cut to Required Length) (Used Before Code Date 05070100).
		<b>690021</b> Piston Assembly (Standard) (Used Before Code Date 05060700).	40	692194	Retainer-Valve	187A	791867	Line-Fuel (Molded) (Used After Code Date 05063000).
		<b>791326</b> Piston Assembly (.020" Oversize) (Used After Code Date 05060600).	45	690977	Tappet-Valve			----- <b>Note</b> -----
		<b>694168</b> Piston Assembly (.020" Oversize) (Used Before Code Date 05060700).	46	696813	Camshaft			<b>692601</b> Line-Fuel (Molded) (Used Before Code Date 05070100).
			46A	695285	Camshaft	187B	791874	Line-Fuel (Molded)
			51	★●∅692555	Gasket-Intake			
			55A	696710	Housing-Rewind Starter			
			58	693389	Rope-Starter (Cut To Required Length)			
			60B	699334	Grip-Starter Rope			
			65	699228	Screw (Rewind Starter)			
			65A	699851	Screw (Rewind Starter)			
			78	699205	Screw (Flywheel Guard)			

★ Included in Engine Gasket Set-Ref. No.358.

● Included in Carburetor Overhaul Kit-Ref. No. 121.

◆ Included in Carburetor Gasket Set-Ref. No. 977.

∅ Included in Valve Gasket Set-Ref. No.1095.

*Illustrations cover a range of engines. Parts shown without corresponding text may not be used on your specific engine.*

# 12E300

REF. NO.	PART NO.	DESCRIPTION	REF. NO.	PART NO.	DESCRIPTION	REF. NO.	PART NO.	DESCRIPTION
188	699479	Screw (Control Bracket)	318	690370	Screw (Mounting Bracket)	524	281370	Seal-Dipstick Tube
190	699220	Screw (Fuel Tank)	318A	790537	Screw (Mounting Bracket)	526	690297	Screw (Regulator)
192	694543	Ball-Rocker Arm			(Used After Code Date 04110800).	528	695746	Hose-Primer
209	692571	Spring-Governor			----- <b>Note</b> -----	552	692346	Bushing-Governor Crank
209A	691278	Spring-Governor			<b>699773</b> Screw (Mounting Bracket)	562	691119	Bolt (Governor Control Lever)
219	693578	Gear-Governor			(Used Before Code Date 04110900).	597	691696	Screw (Pawl Friction Plate)
220	691724	Washer (Governor Gear)	332	699359	Nut (Flywheel)	598	220624	Shim-End Play
222	699592	Bracket-Control	333	695711	Armature-Magneto	601	95162S	Clamp-Hose
227	692573	Lever-Governor Control	334	699477	Screw (Magneto Armature)	604A	695749	Cover-Control
238	691300	Cap-Valve	337	491055S	Spark-Plug	608A	699335	Starter-Rewind
268	691072	Control Wire Casing (Cut to Required Length)	356K	695731	Wire-Stop	613	697812	Screw (Muffler)
269	691026	Control Wire (Cut to Required Length)	358	699638	Set-Engine Gasket	613A	699230	Screw (Muffler)
270	691027	Nut (Control Wire Casing)	363	19069	Puller-Flywheel	615	692576	Retainer-Governor Shaft
271	691028	Lever-Control	365	699484	Screw (Carburetor)	616	692547	Crank-Governor
271A	698038	Lever-Control	383	19374S	Wrench-Spark Plug	619	699230	Screw (Cylinder Head Plate)
276	•271716	Washer-Sealing	427	694255	Nut (Control Bracket)	621	692310	Switch-Stop
281A	697550	Panel-Control ----- <b>Note</b> ----- <b>696684</b> Panel-Control Used on Type No(s). 0275.	441	694262	Bracket-Oil Fill	632	692653	Spring/Link- Mechanical Governor
300	699512	Muffler ----- <b>Note</b> ----- <b>699511</b> Muffler Used on Type No(s). 0018, 0100, 0111, 0275.	449	699629	Screw (Oil Fill Bracket)	633	•693867	Seal-Choke/Throttle Shaft (Choke)
304	699598	Housing-Blower	455	692591	Cup-Flywheel	633A	•691321	Seal-Choke/Throttle Shaft (Throttle)
305	699480	Screw (Blower Housing)	456	692299	Plate-Pawl Friction	635A	692927	Boot-Sparkplug
306A	695710	Shield-Cylinder	459	281505S	Pawl-Ratchet	663	699854	Screw (Control Panel)
307	699483	Screw (Cylinder Shield)	472	696691	Knob-Choke Shaft	668	694257	Spacer
307A	699234	Screw (Cylinder Shield)	474	694457	Alternator	689	691855	Spring-Friction
309A	696818	Motor-Starter ----- <b>Note</b> ----- <b>699786</b> Motor-Starter Used on Type No(s). 0275.	474A	698314	Alternator	692	690572	Spring-Detent (Choke)
			485	695755	Knob-Control	703	698320	Clip
			493A	695744	Bracket-Mounting	718	690959	Pin-Locating
			493B	691177	Bracket-Mounting	731	790528	Hood-Snow
			493C	699048	Bracket-Mounting	741	695087	Gear-Timing
			501	698315	Regulator	742	692564	Retainer-E Ring
			503	699889	Strap-Starter	746	692566	Gear-Idler
			504	694254	Washer Set-Friction	773	694258	Retainer
			505	691251	Nut (Governor Control Lever)			
			523	693618	Dipstick ----- <b>Note</b> ----- <b>790546</b> Dipstick Used on Type No(s). 0275.			

★ Included in Engine Gasket Set-Ref. No.358.

● Included in Carburetor Overhaul Kit-Ref. No. 121.

◆ Included in Carburetor Gasket Set-Ref. No. 977.

⊘ Included in Valve Gasket Set-Ref. No 1095.

*Illustrations cover a range of engines. Parts shown without corresponding text may not be used on your specific engine.*



REF. NO.	PART NO.	DESCRIPTION	REF. NO.	PART NO.	DESCRIPTION	REF. NO.	PART NO.	DESCRIPTION		
813	690635	Clamp	892	695747	Switch-Key	1036		Label-Emission		
819	699233	Screw (Muffler Bracket)	914	699481	Screw (Rocker Cover) (Bottom)			(Available From An Authorized Briggs & Statton Service Dealer)		
823	699209	Screw (Muffler Adapter)	914A	692557	Screw (Rocker Cover) (Top)	1054	280275	Tie-Cable		
824	696017	Gasket-Heat Shield	914B	697551	Screw (Rocker Cover) (Center)	1058	275697	Owner's Manual		
830	694544	Stud (Rocker Arm)				1070	699201	Screw (Flywheel Fan)		
832A	699892	Guard-Muffler				1095	698215	Gasket Set-Valve		
		----- <b>Note</b> -----				1119	699772	Screw (Alternator)		
		699313 Guard-Muffler Used on Type No(s). 0275.	930	696709	Guard-Rewind	1148	698418	Screw (Clip)		
836B	699209	Screw (Muffler Guard)	957	694261	Cap-Fuel Tank	1196	696692	Screw (Snow Hood)		
836C	699234	Screw (Muffler Guard)	958	698180	Valve-Fuel Shut Off			(Carburetor)		
842	691031	Seal-O Ring (Dipstick Tube)	972	694260	Tank-Fuel	1196A	696685	Screw (Snow Hood) (Muffler)		
847	693617	Dipstick/Tube Assembly	975	493640	Bowl-Float			1210	498144	Pulley/Spring Assembly (Pulley)
		----- <b>Note</b> -----	976	790221	Primer-Carburetor (Snap Fit)			1211	498144	Pulley/Spring Assembly (Spring)
		790545 Dipstick/Tube Assembly Used on Type No(s). 0275.			----- <b>Note</b> -----			1224	696824	Nut (Carburetor Primer)
851	493880S	Terminal-Spark Plug			695750 Primer- Carburetor	1230	699847	Screw (Control Bracket)		
863	699849	Bracket-Muffler	977	697001	Gasket Set-Carburetor	1251	696699	Shield-Snow		
864	699232	Adapter-Muffler	990	695756	Key-Set	1252	699234	Screw (Snow Shield)		
868	★Ø692044	Seal-Valve	993	★Ø694088	Gasket-Cylinder Head Plate	1330	272147	Repair Manual		
883	★692237	Gasket-Exhaust	998	696683	Pipe-Oil					
883A	★691893	Gasket-Exhaust	1005	692592	Fan-Flywheel					
			1019	695751	Kit-Label					
			1022	★Ø691890	Gasket-Rocker Cover					
			1023	499924	Cover-Rocker Arm					
			1026	790287	Rod-Push					
			1029	691230	Arm-Rocker					
			1034	691343	Guide-Push Rod					

★ Included in Engine Gasket Set-Ref. No.358.

● Included in Carburetor Overhaul Kit-Ref. No. 121.

◆ Included in Carburetor Gasket Set-Ref. No. 977.

Ø Included in Valve Gasket Set-Ref. No 1095.

*Illustrations cover a range of engines. Parts shown without corresponding text may not be used on your specific engine.*