

## 12C700 to 12C799

# Illustrated Parts List

## Model Series

# 12C700 to 12C799

TYPE NUMBERS  
0608, 1708.

**TO FIND**  
**THE CORRECT NUMBER OF THE PART YOU NEED:**  
**FOLLOW THE INSTRUCTIONS BELOW**

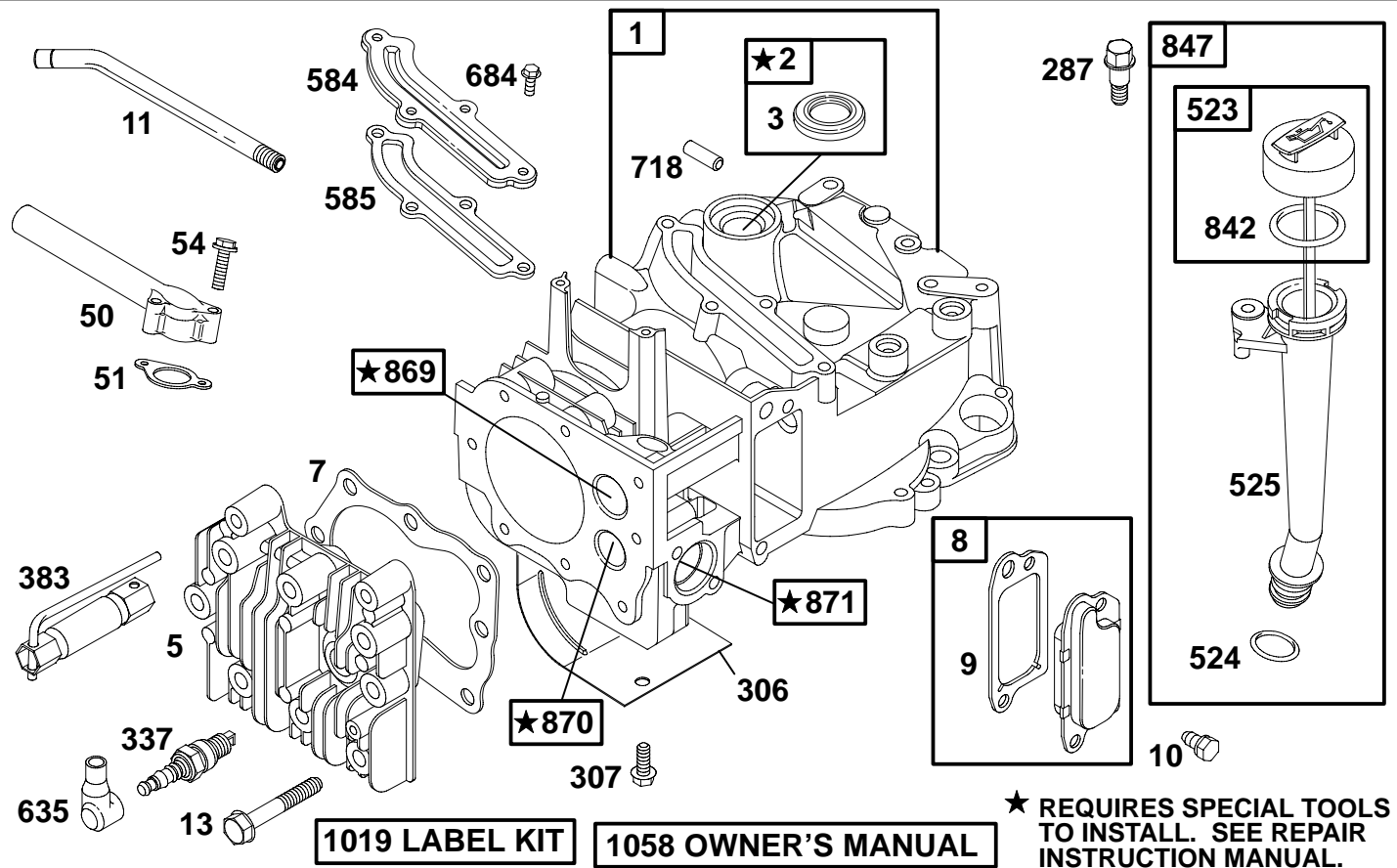
- A. Refer to Engine Model, Type and Code Number that is stamped on the blower housing of engine. Engine type numbers such as 0123 01 are listed only as 0123 in most instances. The two digits (01 or 02, etc.) to the right of the space may be required for more accurate parts identification in some instances. Select the Illustrated Parts List covering the correct Model Series and Type Number.
- B. Refer to the Illustrations and compare the original part with Illustration. The number next to the illustration is the Reference Number. Assemblies include all parts shown in frames. All parts shown in assembly frames having individual reference numbers can be purchased separately.
- C. After the Reference Number has been identified, refer to the Numerical text, where Reference and Primary Part Number are listed. **THE PRIMARY PART IS USED ON ALL TYPE NUMBERS EXCEPT THOSE TYPE NUMBERS UNDER "NOTE."**
- D. If a "Note" appears below the Primary Part Number, it means that this part differs from the Primary Part for certain types. If your Type number is listed under "Note," order the part referred to at the "Note."
- E. If your Engine Type Number does not appear after any part number listed under "Note," use the Primary Part Number.
- F. For Engine Type Numbers not covered by this book, check other Parts Lists having the same engine model or contact your source of supply.

PRINTED IN U.S.A.



COPYRIGHT by BRIGGS & STRATTON CORPORATION  
All rights reserved. No part of this material may be reproduced or transmitted, in any form or by any means, electronic or mechanical, including photocopying, recording or by any information storage and retrieval system, without permission in writing from Briggs & Stratton Corporation.

# 12C700 to 12C799

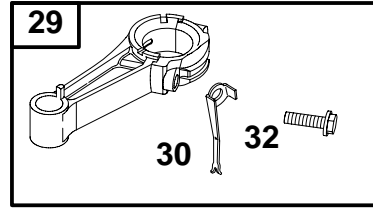
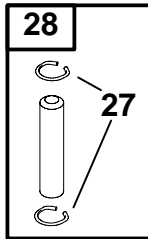
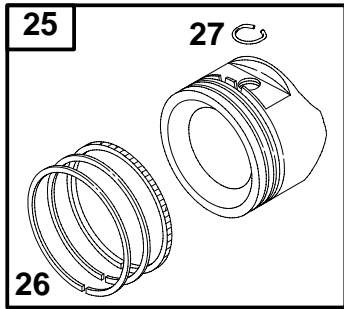


REF. NO.	PART NO.	DESCRIPTION	REF. NO.	PART NO.	DESCRIPTION	REF. NO.	PART NO.	DESCRIPTION
1	494062	Cylinder Assembly			(Dipstick Tube)	847	692017	Dipstick/Tube Assembly
2	399269	Kit-Bushing/Seal	306	690450	Shield-Cylinder	869	691155	Seat-Valve (Intake)
3	★299819	Seal-Oil (Magneto Side)	307	690345	Screw (Cylinder Shield)	870	690380	Seat-Valve (Exhaust)
5	691160	Head-Cylinder	337	802592	Sparkplug	871	63709	Bushing-Valve Guide (Exhaust)
7	★Ø692249	Gasket-Cylinder Head	383	89838	Wrench-Sparkplug			<b>Note</b>
8	495786	Breather Assembly	523	495264	Dipstick	1019	494256	Kit-Label
9	★Ø272481	Gasket-Breather	524	★692296	Seal-Dipstick Tube	1058	272262	Owner's Manual
10	94650	Screw (Breather Assembly)	525	495265	Tube-Dipstick			<b>Note</b>
11	691781	Tube-Breather	584	692342	Cover-Breather Passage			273693 Owner's Manual
13	690912	Screw (Cylinder Head)	585	★691879	Gasket-Breather Passage			Used on Type No(s). 1708.
50	497465	Manifold-Intake	635	66538	Boot-Sparkplug			
51	★272199	Gasket-Intake	684	690345	Screw (Breather Passage Cover)			
54	691650	Screw (Intake Manifold)	718	230192	Pin-Locating			
287	690940	Screw	842	★691031	Seal-Dipstick Tube			

★ Included in Gasket Set-See Ref. No. 358.  
 ● Included in Carburetor Overhaul Kit-See Ref. No.121.

◆ Included in Carburetor Gasket Set-See Ref. No. 977.  
 Ø Included in Valve Overhaul Gasket Set-See Ref. No. 1095.

**12C700 to 12C799**



REF. NO.	PART NO.	DESCRIPTION	REF. NO.	PART NO.	DESCRIPTION	REF. NO.	PART NO.	DESCRIPTION
25	499433	Piston Assy—Standard (Standard) (Used After Code Date 97011200). ———— <b>Note</b> ——— <b>494058</b> Piston Assy—Standard (Standard) (Used Before Code Date 97011300). ———— <b>499434</b> Piston Assy—010 (.010 O.S.) (Used After Code Date 97011200). <b>494059</b> Piston Assy—010 (.010 O.S.) (Used Before Code Date 97011300). ———— <b>499435</b> Piston Assy—020 (.020 O.S.) (Used After Code Date 97011200). <b>494060</b> Piston Assy—020 (.020 O.S.) (Used Before Code Date 97011300). ———— <b>499436</b> Piston Assy—030 (.030 O.S.) (Used After Code Date 97011200). <b>494061</b> Piston Assy—030 (.030 O.S.) (Used Before Code Date 97011300).	26	499425	Ring Set (Standard) (Used After Code Date 97011200). ———— <b>Note</b> ——— <b>493261</b> Ring Set (Standard) (Used Before Code Date 97011300). ———— <b>499426</b> Ring Set—010 (.010 O.S.) (Used After Code Date 97011200). <b>493388</b> Ring Set—010 (.010 O.S.) (Used Before Code Date 97011300). ———— <b>499427</b> Ring Set—020 (.020 O.S.) (Used After Code Date 97011200). <b>493389</b> Ring Set—020 (.020 O.S.) (Used Before Code Date 97011300). ———— <b>499428</b> Ring Set—030 (.030 O.S.) (Used After Code Date 97011200). <b>493390</b> Ring Set—030 (.030 O.S.) (Used Before Code Date 97011300).	27	691866	Lock—Piston Pin (Used After Code Date 97011200). ———— <b>Note</b> ——— <b>691588</b> Lock—Piston Pin (Used Before Code Date 97011300). 28 <b>499423</b> Pin—Piston (Standard) (Used After Code Date 97011200). ———— <b>Note</b> ——— <b>298909</b> Pin—Piston (Standard) (Used Before Code Date 97011300). <b>298908</b> Pin—Piston—005 (.005 O.S.) (Used Before Code Date 97011300). 29 <b>499424</b> Rod—Connecting (Standard) (Used After Code Date 97011200). ———— <b>Note</b> ——— <b>490566</b> Rod—Connecting (Standard) (Used Before Code Date 97011300). <b>490743</b> Rod—Connecting—020 (.020 Undersize) (Used Before Code Date 97011300). 30 <b>692562</b> Dipper—Connecting Rod 32 <b>691664</b> Screw (Connecting Rod)

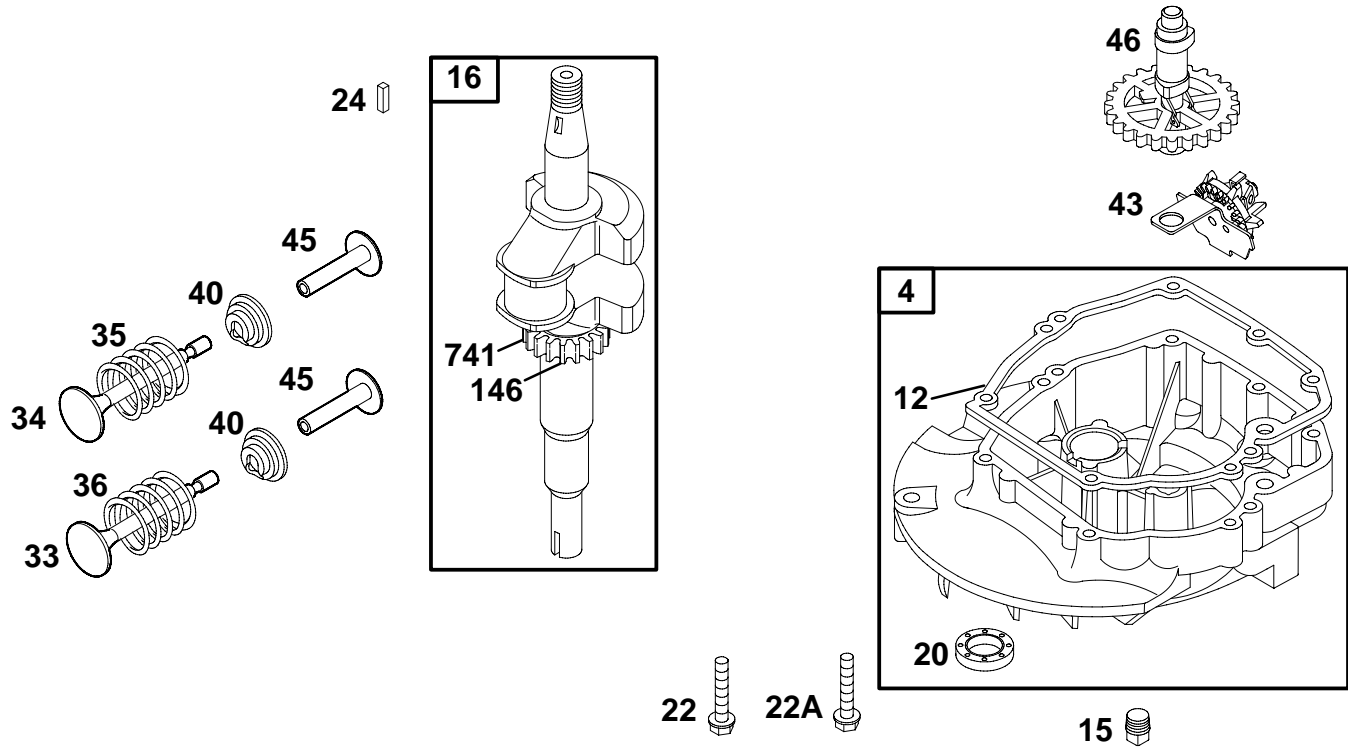
★ Included in Gasket Set—See Ref. No. 358.

● Included in Carburetor Overhaul Kit—See Ref. No.121.

◆ Included in Carburetor Gasket Set—See Ref. No. 977.

⊘ Included in Valve Overhaul Gasket Set—See Ref. No. 1095.

# 12C700 to 12C799



REF. NO.	PART NO.	DESCRIPTION	REF. NO.	PART NO.	DESCRIPTION	REF. NO.	PART NO.	DESCRIPTION
4	493279	Sump-Engine	24	222698	Key-Flywheel	45	690548	Tappet-Valve
12	★692232	Gasket-Crankcase	33	262651	Valve-Exhaust	46	691449	Camshaft (Used After Code Date 96060200).
15	691680	Plug-Oil Drain	34	262652	Valve-Intake	<b>Note</b> <b>492830</b> Camshaft (Used Before Code Date 96060300).		
16	691450	Crankshaft (Used After Code Date 97011200).	35	691270	Spring-Valve (Intake)			
		<b>Note</b>	36	691270	Spring-Valve (Exhaust)	146	690979	Key-Timing
		493282 Crankshaft (Used Before Code Date 97011300).	40	692194	Retainer-Valve	741	691830	Gear-Timing
20	★399781	Seal-Oil (PTO Side)	43	691997	Slinger-Governor/Oil			
22	691092	Screw (Crankcase Cover/ Sump)						
22A	691092	Screw (Crankcase Cover/ Sump) (One Used in Hole Nearest Breather)						

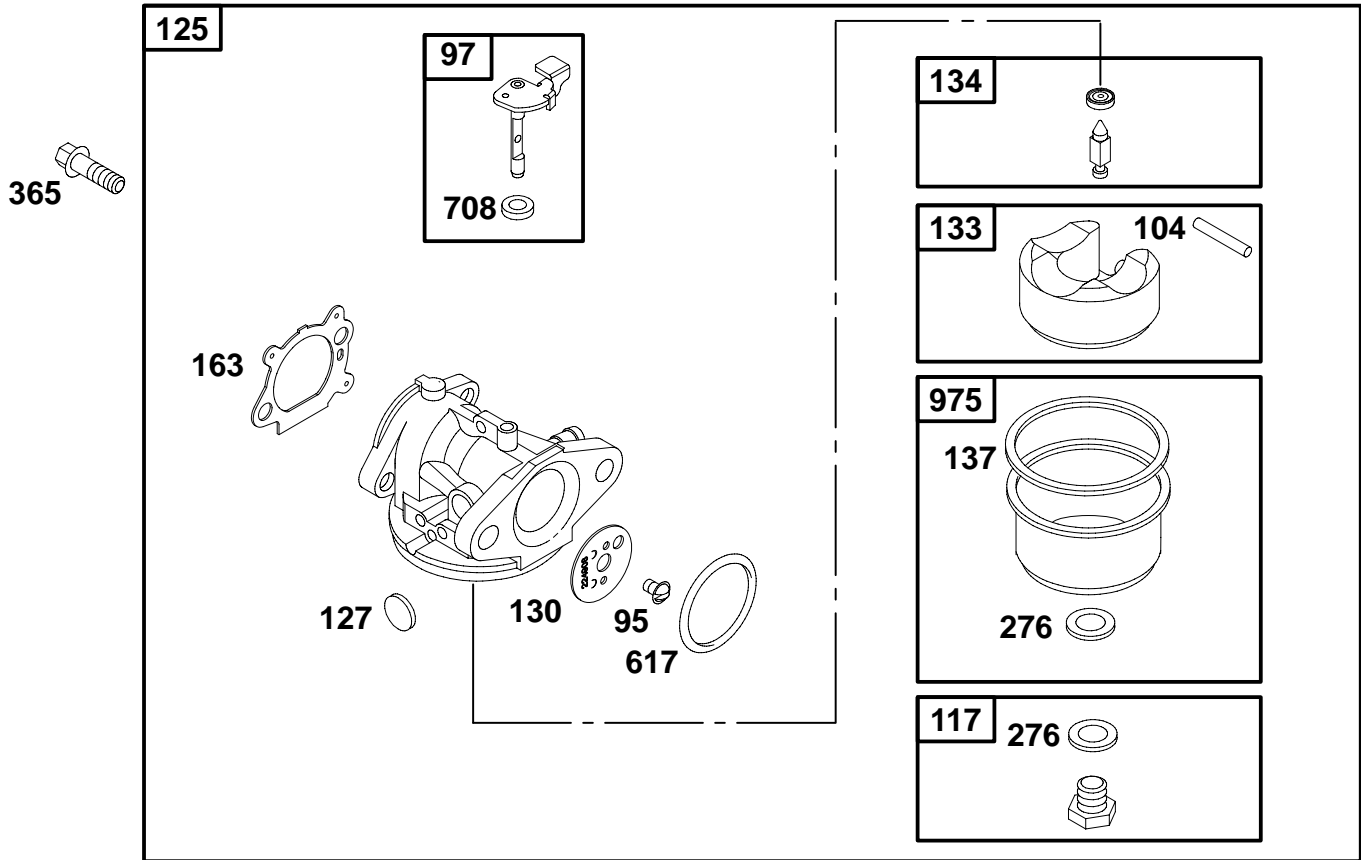
★ Included in Gasket Set-See Ref. No. 358.

● Included in Carburetor Overhaul Kit-See Ref. No.121.

◆ Included in Carburetor Gasket Set-See Ref. No. 977.

⊘ Included in Valve Overhaul Gasket Set-See Ref. No. 1095.

**12C700 to 12C799**



REF. NO.	PART NO.	DESCRIPTION	REF. NO.	PART NO.	DESCRIPTION	REF. NO.	PART NO.	DESCRIPTION
95	691636	Screw (Throttle Valve)	125	498966	Carburetor (Used After Code Date 96060200).	133	398187	Float-Carburetor
97	493267	Shaft-Throttle				134	398188	Kit-Needle/Seat
104	691242	Pin-Float Hinge			<b>Note</b> —	137	693981	Gasket-Float Bowl
117	498975	Jet-Main (Standard) (Used After Code Date 96060200).			498254 Carburetor (Used After Code Date 95102900 and Before Code Date 96060300).	163	272653	Gasket-Air Cleaner
		<b>Note</b> —			498170 Carburetor (Used Before Code Date 95103000).	276	271716	Washer-Sealing
		497466 Jet-Main (Standard) (Used Before Code Date 96060300).	127	694468	Plug-Welch	365	692524	Screw (Carburetor)
		496495 Jet-Main (High Altitude) (Used After Code Date 96060200).	130	691203	Valve-Throttle	617	270344	O-Ring Seal (Intake Manifold)
		496495 Jet-Main (High Altitude) (Used Before Code Date 96060300).				708	691321	Seal-Throttle Shaft (Throttle Shaft)
						975	493640	Bowl-Float

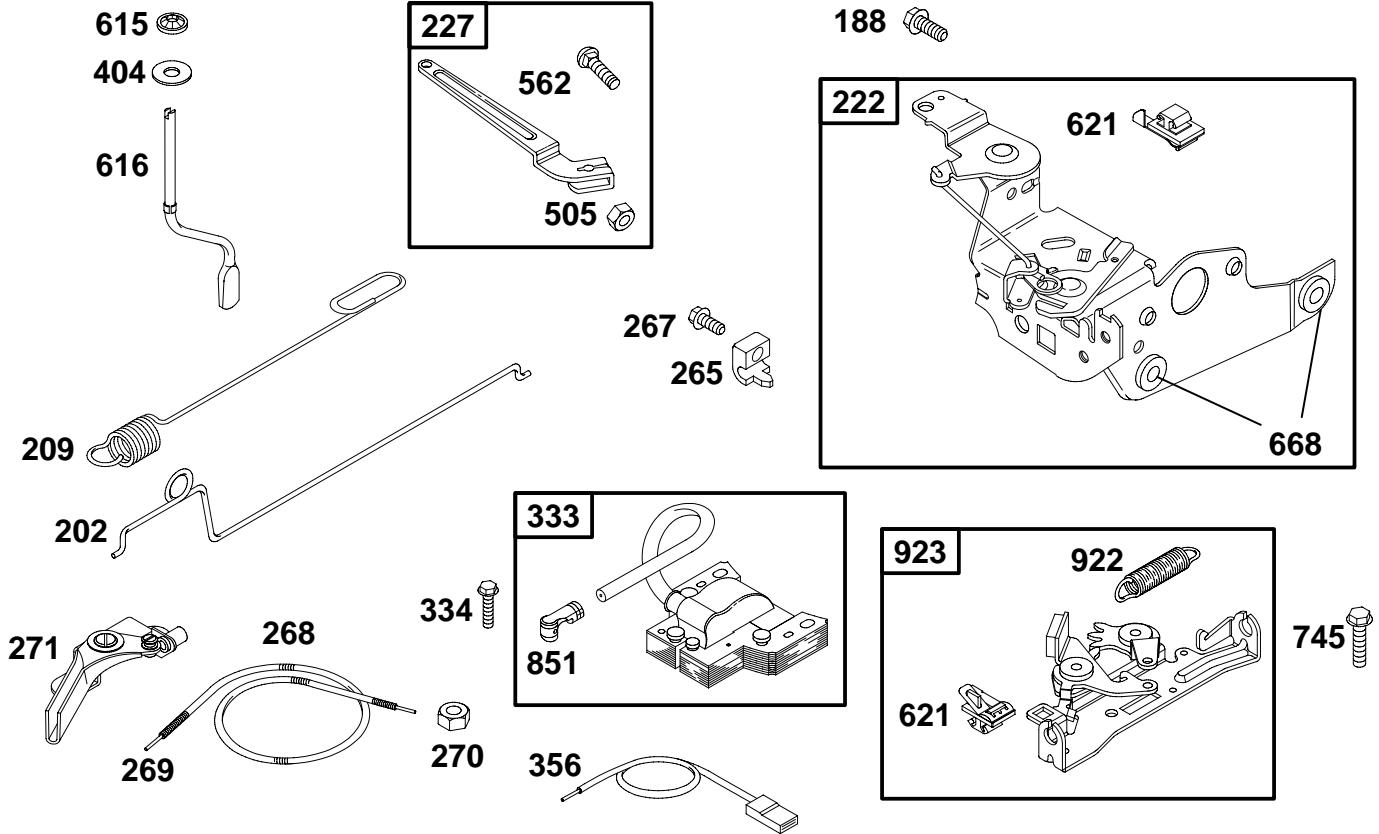
★ Included in Gasket Set—See Ref. No. 358.

● Included in Carburetor Overhaul Kit—See Ref. No.121.

◆ Included in Carburetor Gasket Set—See Ref. No. 977.

⊘ Included in Valve Overhaul Gasket Set—See Ref. No. 1095.

# 12C700 to 12C799



REF. NO.	PART NO.	DESCRIPTION	REF. NO.	PART NO.	DESCRIPTION	REF. NO.	PART NO.	DESCRIPTION
188	690877	Screw (Control Bracket)	269	691589	Wire—Control (Cut to Required Length)	562	94852	Bolt (Governor Control Lever)
202	691829	Link—Mechanical Governor	270	691027	Nut (Control Wire Casing)	615	690340	Retainer—Governor Shaft
209	691292	Spring—Governor	271	691028	Lever—Control	616	691306	Crank—Governor
222	692031	Bracket—Control	333	802574	Armature—Magneto	621	692310	Switch—Stop
227	690783	Lever—Governor Control	334	691061	Screw (Magneto Armature)	668	★493823	Spacer (Includes 2)
265	690798	Clamp—Casing	356	692390	Wire—Stop	745	691648	Screw (Brake)
267	691044	Screw (Casing Clamp)	404	690272	Washer (Governor Crank)	851	493880	Terminal—Sparkplug
268	691072	Casing—Control Wire (Cut to Required Length)	505	231082	Nut (Governor Control Wire)	922	691831	Spring—Brake
						923	691994	Brake

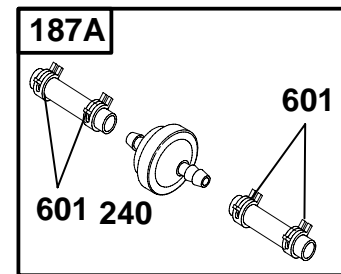
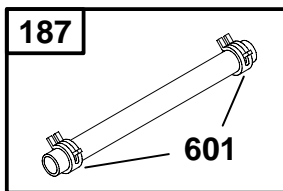
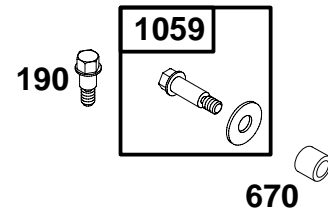
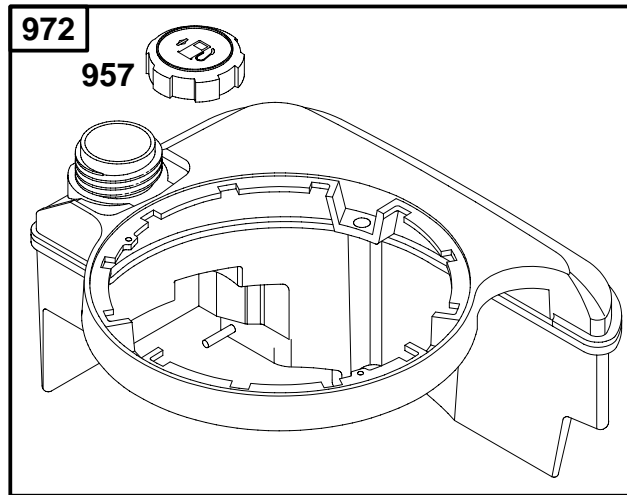
★ Included in Gasket Set—See Ref. No. 358.

● Included in Carburetor Overhaul Kit—See Ref. No.121.

◆ Included in Carburetor Gasket Set—See Ref. No. 977.

⊘ Included in Valve Overhaul Gasket Set—See Ref. No. 1095.

**12C700 to 12C799**

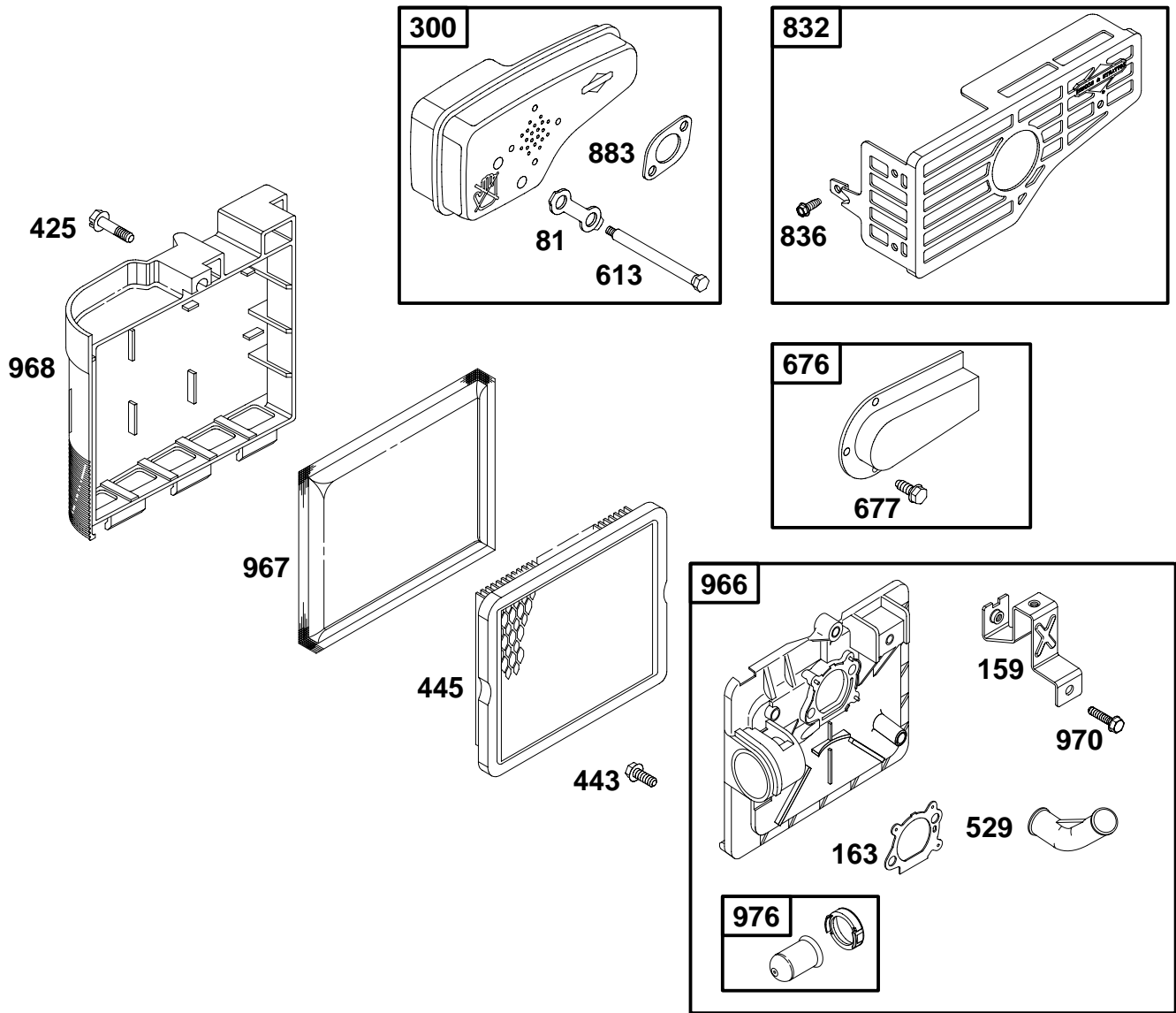


REF. NO.	PART NO.	DESCRIPTION	REF. NO.	PART NO.	DESCRIPTION	REF. NO.	PART NO.	DESCRIPTION
187	691050	Line-Fuel	240	298090	Filter-Fuel	957	397974	Cap-Fuel Tank
187A	692042	Line-Fuel	601	95162	Clamp-Hose	972	497224	Tank-Fuel
190	690940	Screw (Fuel Tank)	670	692294	Spacer-Fuel Tank	1059	692311	Kit-Screw/Washer

★ Included in Gasket Set-See Ref. No. 358.  
● Included in Carburetor Overhaul Kit-See Ref. No.121.

◆ Included in Carburetor Gasket Set-See Ref. No. 977.  
⊘ Included in Valve Overhaul Gasket Set-See Ref. No. 1095.

# 12C700 to 12C799



REF. NO.	PART NO.	DESCRIPTION	REF. NO.	PART NO.	DESCRIPTION	REF. NO.	PART NO.	DESCRIPTION
81	691740	Lock-Muffler Screw	613	691340	Screw (Exhaust Muffler)	968	692298	Cover-Air Cleaner
159	691753	Bracket-Air Cleaner Primer	676	493871	Deflector-Muffler	970	691669	Screw (Air Cleaner Primer Bracket)
163★◆	272653	Gasket-Air Cleaner	677	690661	Screw (Muffler Deflector)	976	694395	Primer-Carburetor (Used After Code Date 99103100).
300	496106	Muffler	832	499034	Guard-Muffler	<p align="center"><b>Note</b></p> <b>496115</b> Primer-Carburetor (Used Before Code Date 99110100).		
425	690670	Screw (Air Cleaner Cover)	836	690664	Screw (Muffler Guard)			
443	692523	Screw (Air Cleaner Primer Base)	883	691881	Gasket-Exhaust			
445	491588	Filter-Air Cleaner Cartridge	966	496116	Base-Air Cleaner Primer			
529	691923	Grommet	967	493537	Filter-Pre Cleaner			

★ Included in Gasket Set-See Ref. No. 358.

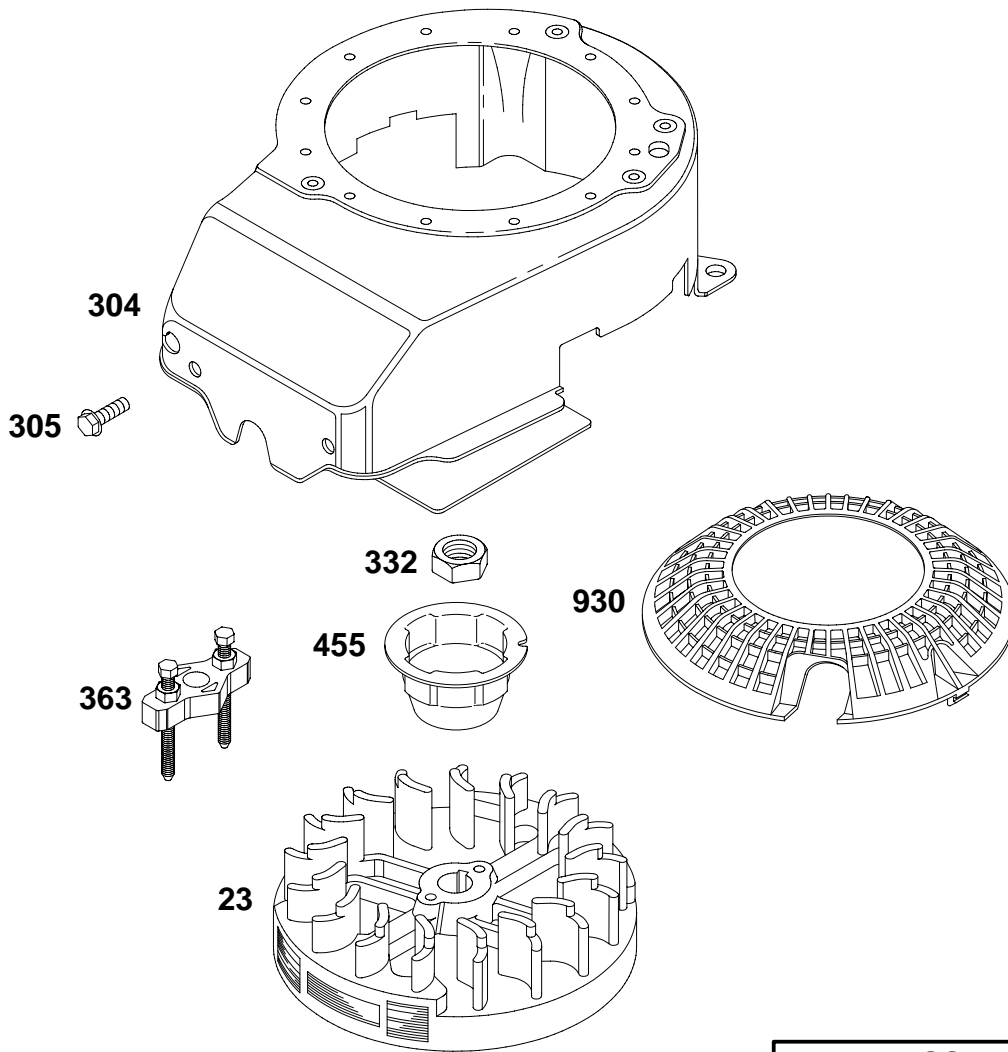
● Included in Carburetor Overhaul Kit-See Ref. No.121.

◆ Included in Carburetor Gasket Set-See Ref. No. 977.

⌀ Included in Valve Overhaul Gasket Set-See Ref. No. 1095.



**12C700 to 12C799**



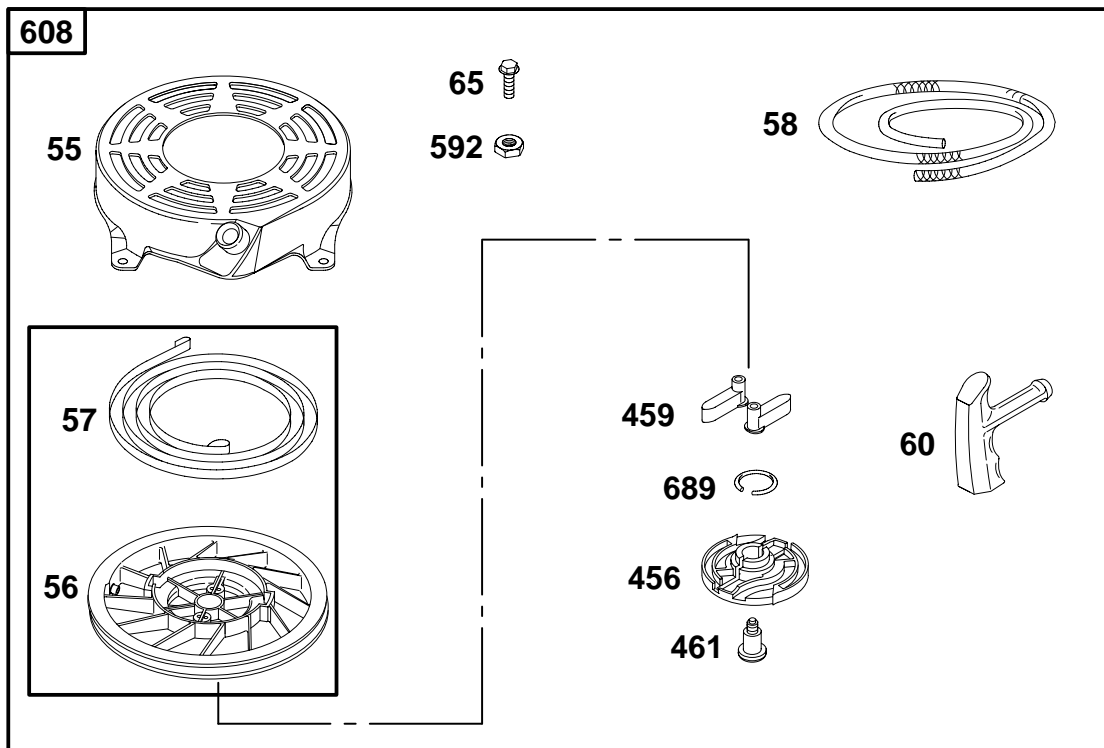
**1036 EMISSIONS LABEL**

REF. NO.	PART NO.	DESCRIPTION	REF. NO.	PART NO.	DESCRIPTION	REF. NO.	PART NO.	DESCRIPTION
23	692315	Flywheel	332	690662	Nut (Flywheel)	1036	694458	Label-Emissions (Used After Code Date 98123100).
304	493293	Housing-Blower	363	19069	Flywheel Puller			<b>Note</b>
305	691108	Screw (Blower Housing)	455	691219	Cup-Flywheel			<b>499341</b> Label-Emissions (Used Before Code Date 99010100).
			930	691919	Guard-Rewind			

★ Included in Gasket Set-See Ref. No. 358.  
● Included in Carburetor Overhaul Kit-See Ref. No.121.

◆ Included in Carburetor Gasket Set-See Ref. No. 977.  
⊘ Included in Valve Overhaul Gasket Set-See Ref. No. 1095.

# 12C700 to 12C799



REF. NO.	PART NO.	DESCRIPTION	REF. NO.	PART NO.	DESCRIPTION	REF. NO.	PART NO.	DESCRIPTION
55	691421	Housing-Rewind Starter	58	280399	Rope-Starter (Cut To Length)	461	691696	Screw (Pawl Friction Plate)
56	498144	Pulley/Spring Assembly	60	281434	Grip-Starter Rope	592	690800	Nut (Rewind Starter)
57	498144	Pulley/Spring Assembly	65	690759	Screw (Rewind Starter)	608	497680	Starter-Rewind
			456	692299	Plate-Pawl Friction	689	691855	Spring-Friction
			459	281505	Pawl-Ratchet			

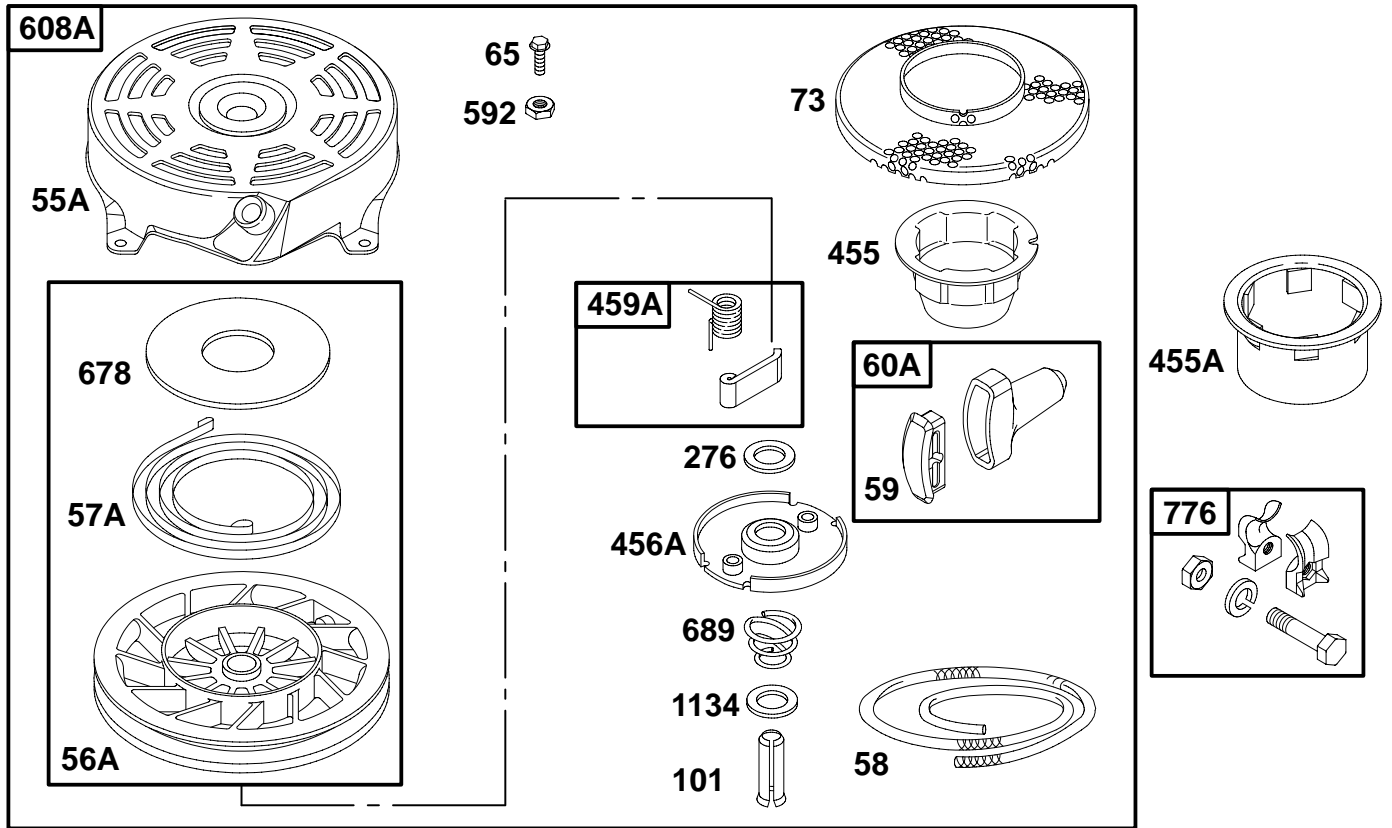
★ Included in Gasket Set-See Ref. No. 358.

● Included in Carburetor Overhaul Kit-See Ref. No.121.

◆ Included in Carburetor Gasket Set-See Ref. No. 977.

∅ Included in Valve Overhaul Gasket Set-See Ref. No. 1095.

**12C700 to 12C799**



REF. NO.	PART NO.	DESCRIPTION	REF. NO.	PART NO.	DESCRIPTION	REF. NO.	PART NO.	DESCRIPTION
55A	492831	Housing-Rewind Starter	73	691222	Screen-Rotating (Rewind Starter)	592	690800	Nut (Rewind Starter)
56A	493824	Pulley-Starter	101	262626	Pin-Shaft	608A	497598	Starter-Rewind
57A	491889	Spring-Rewind Starter	276	280973	Washer-Sealing	678	224278	Spacer-Rewind
58	280399	Rope-Starter (Cut To Length)	455	691219	Cup-Flywheel	689	262625	Spring-Friction
59	396892	Insert-Grip	455A	224250	Cup-Flywheel	776	396526	Guide-Rope
60A	393152	Grip-Starter Rope	456A	224321	Plate-Pawl Friction	1134	224322	Washer (Pawl Friction Plate)
65	690759	Screw	459A	492833	Pawl-Ratchet			

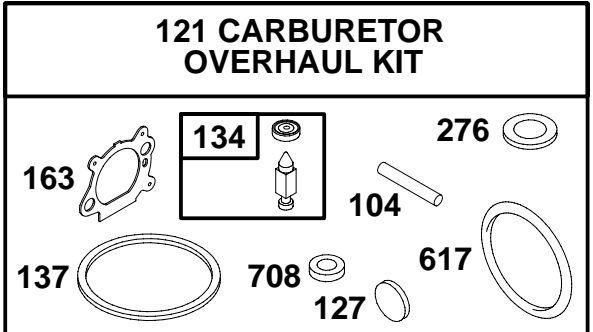
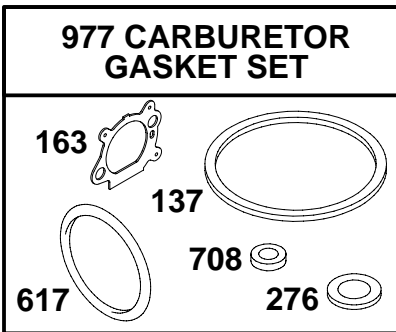
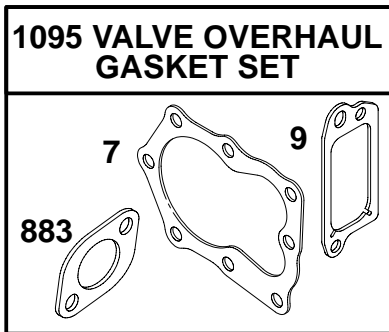
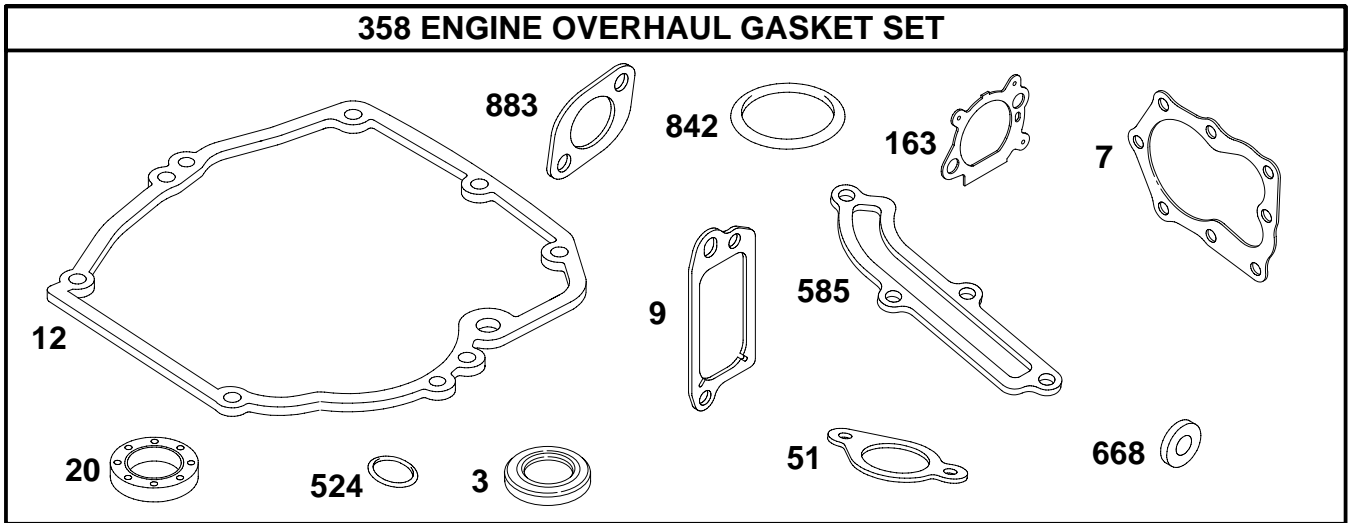
★ Included in Gasket Set-See Ref. No. 358.

● Included in Carburetor Overhaul Kit-See Ref. No.121.

◆ Included in Carburetor Gasket Set-See Ref. No. 977.

∅ Included in Valve Overhaul Gasket Set-See Ref. No. 1095.

# 12C700 to 12C799



REF. NO.	PART NO.	DESCRIPTION	REF. NO.	PART NO.	DESCRIPTION	REF. NO.	PART NO.	DESCRIPTION
	3	★299819 Seal-Oil (Magneto Side)		127	◆694468 Plug-Welch		617	◆◆270344 O-Ring Seal (Intake Manifold)
	7	★∅692249 Gasket-Cylinder Head		134	◆398188 Kit-Needle/Seat		668	★493823 Spacer (Includes 2)
	9	★∅272481 Gasket-Breather		0137	◆◆693981 Gasket-Float Bowl		708	◆◆691321 Seal-Throttle Shaft (Throttle Shaft)
	12	★692232 Gasket-Crankcase		163	★◆272653 Gasket-Air Cleaner		842	★2691031 O-Ring Seal
	20	★399781 Seal-Oil (PTO Side)		276	◆◆271716 Washer-Sealing		883	★∅691881 Gasket-Exhaust
	51	★272199 Gasket-Intake		358	497316 Gasket Set-Engine		977	498261 Gasket Set-Carburetor
	104	◆691242 Pin-Float Hinge		524	★692296 Seal-Dipstick Tube		1095	498528 Gasket Set-Valve
	121	498260 Kit-Carburetor Overhaul		585	★691879 Gasket-Breather Passage			

★ Included in Gasket Set-See Ref. No. 358.

◆ Included in Carburetor Gasket Set-See Ref. No. 977.

◆◆ Included in Carburetor Overhaul Kit-See Ref. No.121.

∅ Included in Valve Overhaul Gasket Set-See Ref. No. 1095.