

12A400

Illustrated Parts List

Model Series

12A400

TYPE NUMBERS
0100 through 0110.

TABLE OF CONTENTS

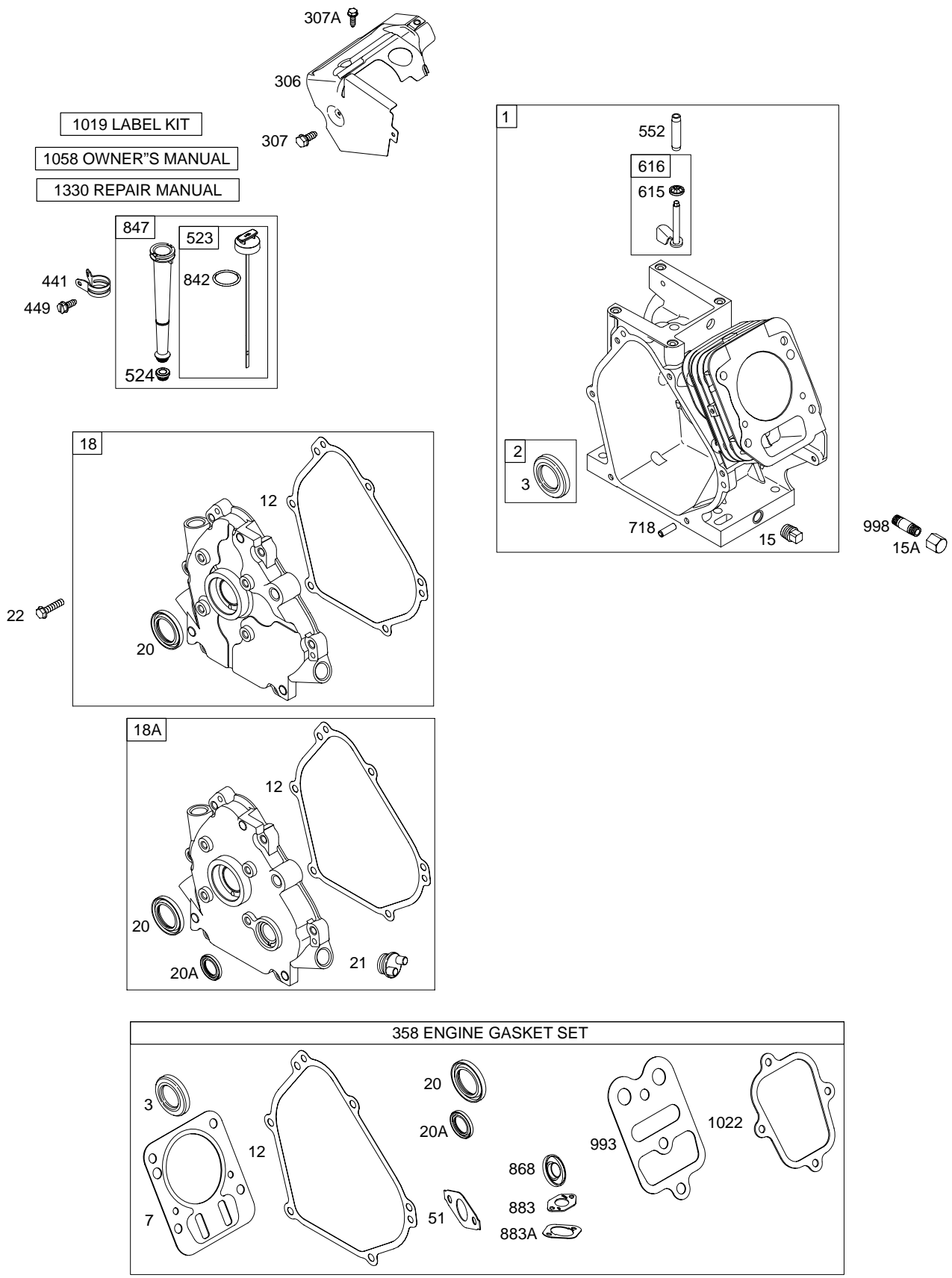
Blower Housing/Shrouds	7
Cams	4
Carburetor	5
Controls	6
Crankcase Cover/Sump	2
Crankshaft	4
Cylinder	2
Electric Starter	8
Flywheel	7
Fuel Tank	5
Governor Spring	6
Head	3
Ignition	6
Kits/Gaskets – Carburetor	5
Kits/Gaskets – Engine	2
Muffler	8
Oil Group	2
Piston Group	4
Rewind Starter	8
Valves	3



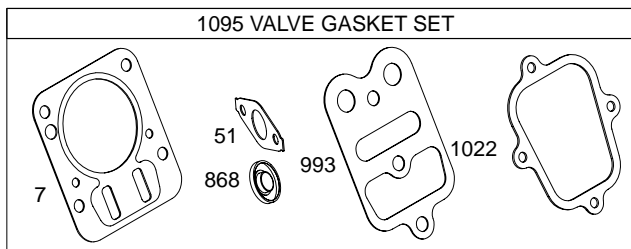
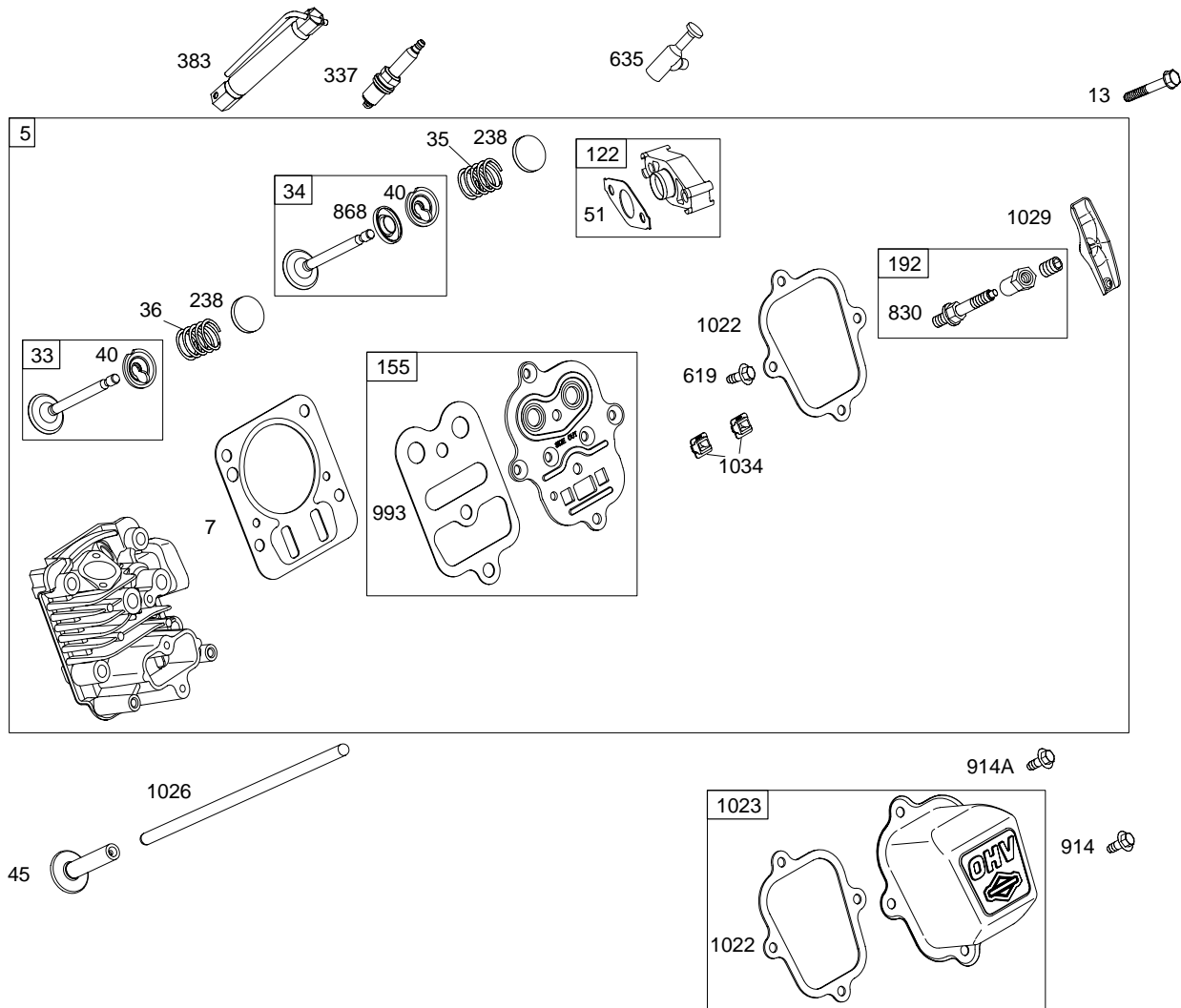
PRINTED IN U.S.A.

COPYRIGHT by BRIGGS & STRATTON CORPORATION
 All rights reserved. No part of this material may be reproduced or transmitted, in any form or by any means, electronic or mechanical, including photocopying, recording or by any information storage and retrieval system, without permission in writing from Briggs & Stratton Corporation.

12A400

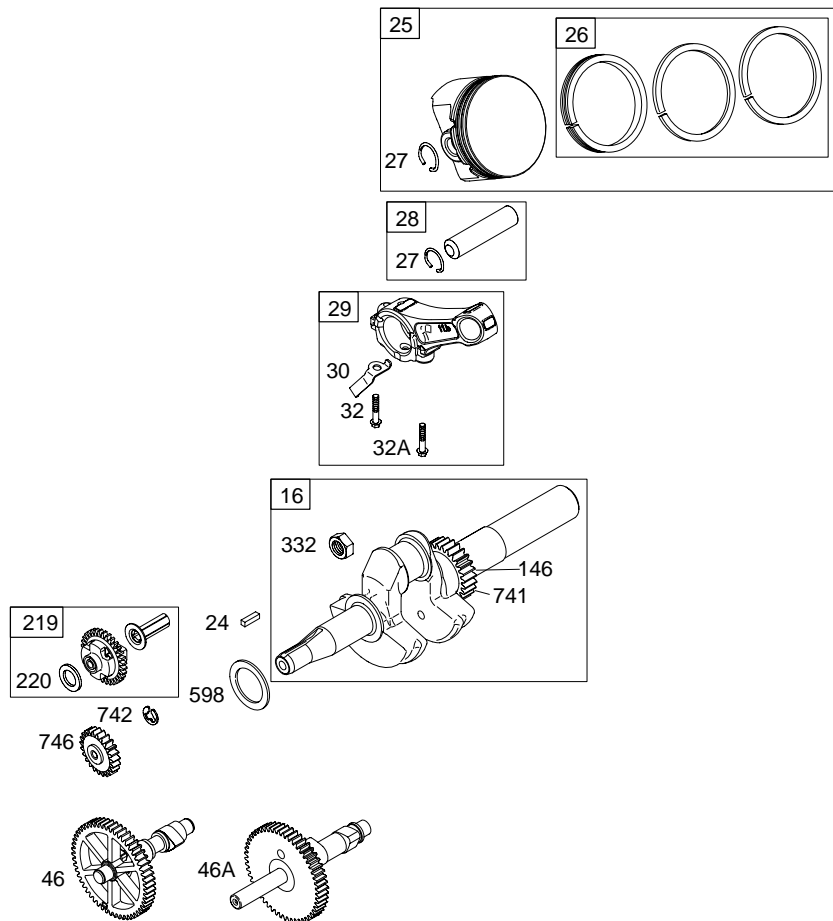


Illustrations cover a range of engines. Parts shown without corresponding text may not be used on your specific engine.
6500-2 Assemblies include all parts shown in frames. 11/19/2003

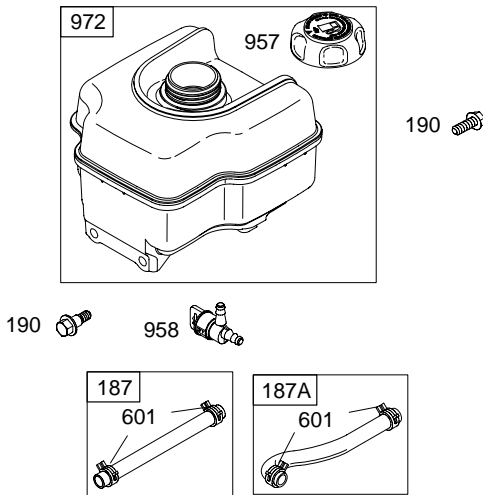
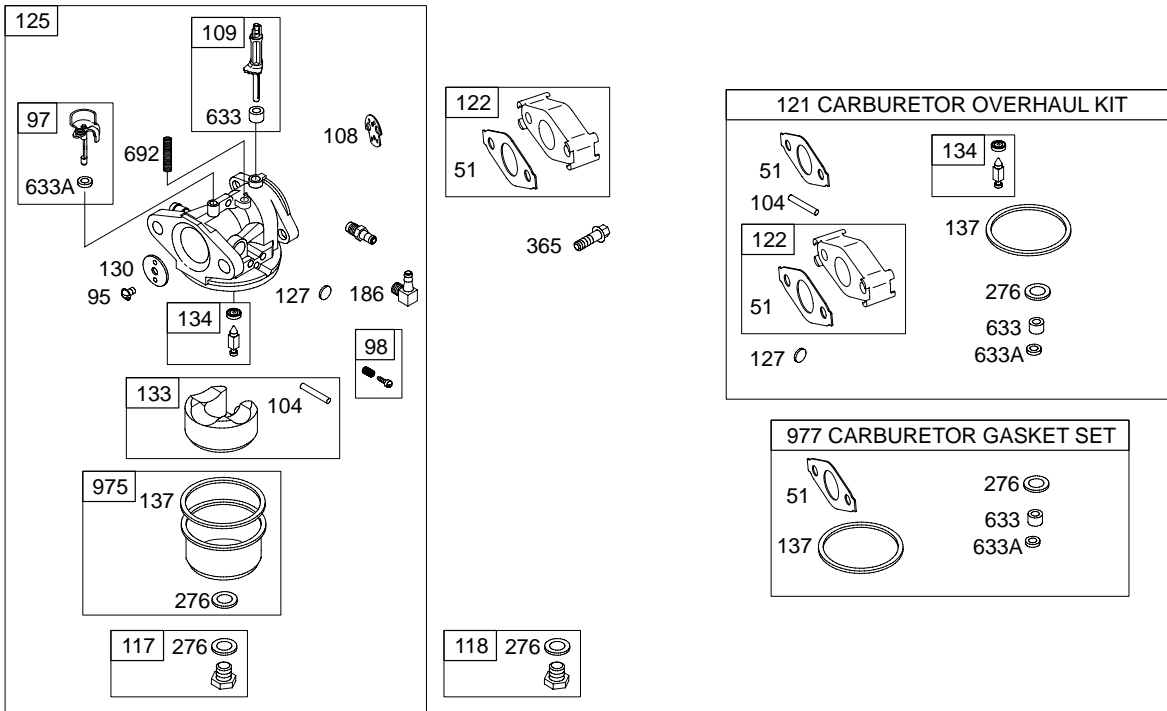


Illustrations cover a range of engines. Parts shown without corresponding text may not be used on your specific engine.
 6500-3 Assemblies include all parts shown in frames. 11/19/2003

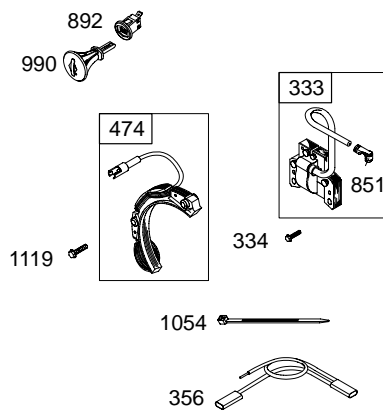
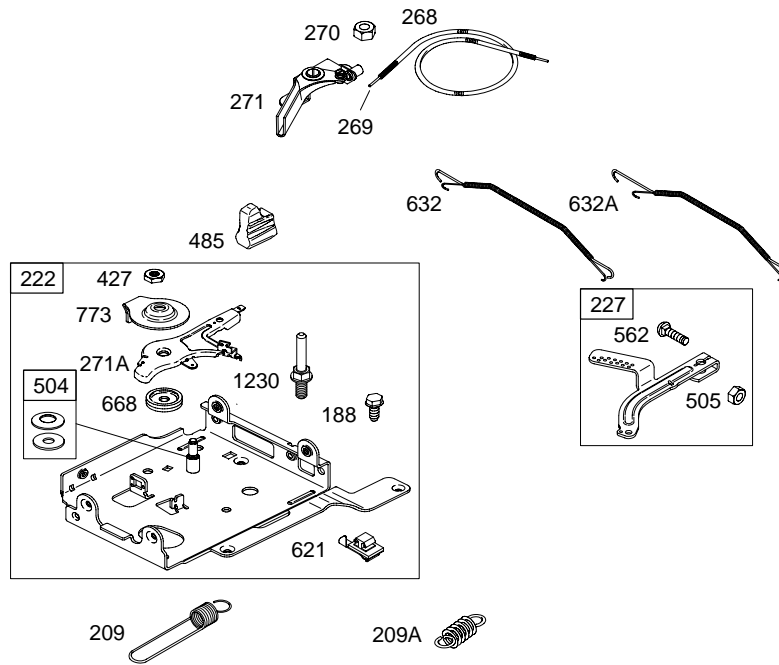
12A400



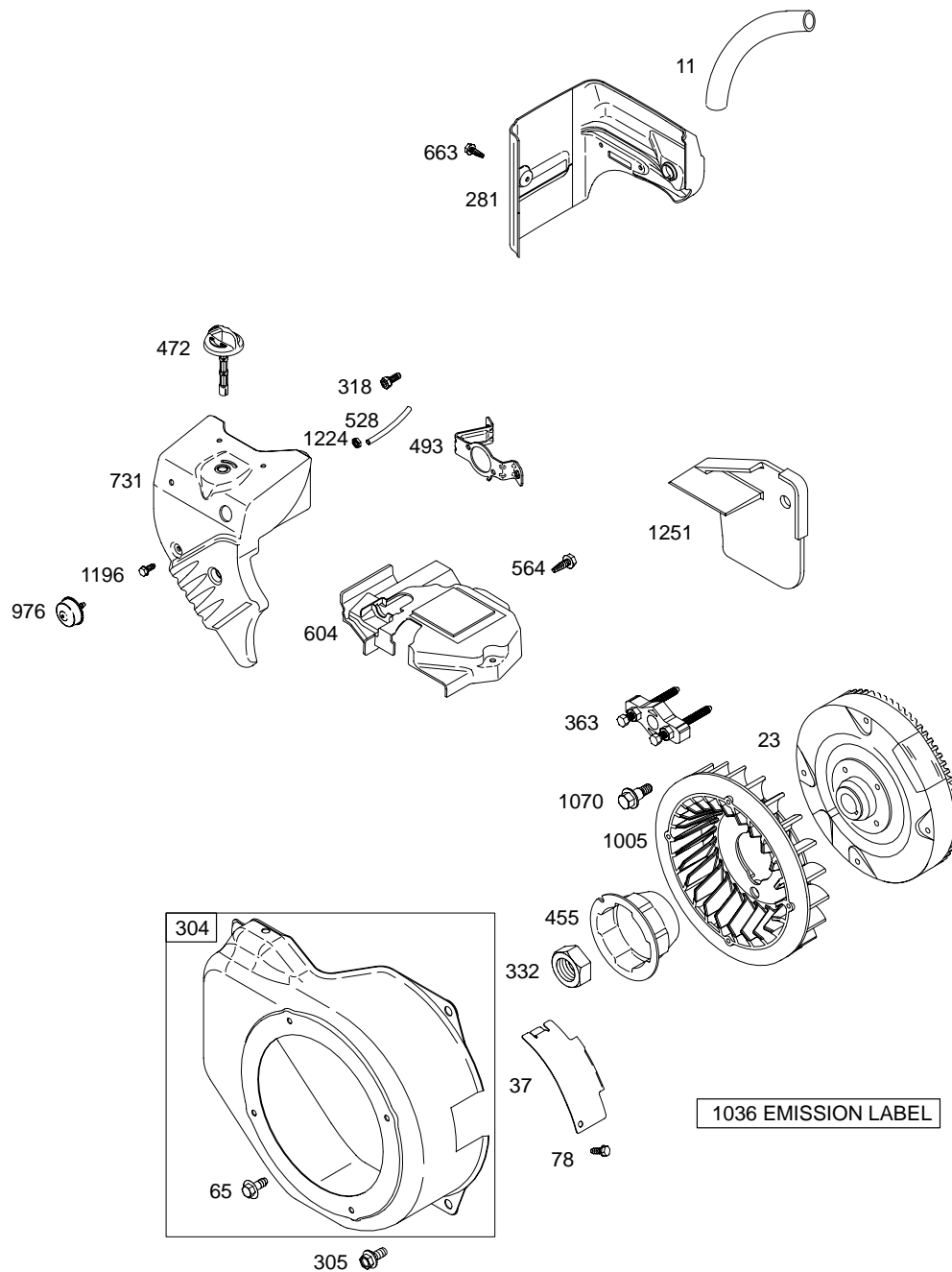
Illustrations cover a range of engines. Parts shown without corresponding text may not be used on your specific engine.
6500-4 Assemblies include all parts shown in frames. 11/19/2003



12A400

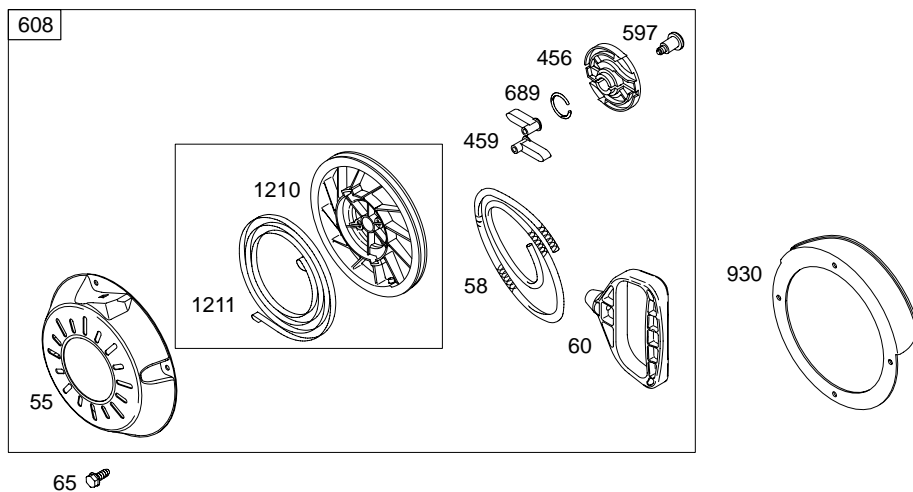
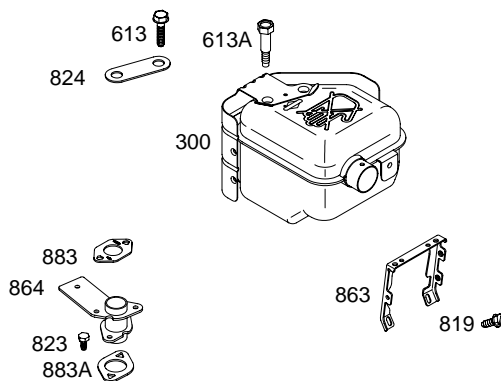


6500-6 *Illustrations cover a range of engines. Parts shown without corresponding text may not be used on your specific engine.* Assemblies include all parts shown in frames. **11/19/2003**



Illustrations cover a range of engines. Parts shown without corresponding text may not be used on your specific engine.
6500-7 Assemblies include all parts shown in frames. 11/19/2003

12A400



Illustrations cover a range of engines. Parts shown without corresponding text may not be used on your specific engine.
6500-8 Assemblies include all parts shown in frames. 11/19/2003

REF. NO.	PART NO.	DESCRIPTION	REF. NO.	PART NO.	DESCRIPTION	REF. NO.	PART NO.	DESCRIPTION
1	695713	Cylinder Assembly	25	690021	Piston Assembly (Standard)	55	695739	(2 Required) Housing-Rewind Starter
2	399269	Kit-Bushing/Seal (Magneto Side)			Note	58	693389	Rope-Starter (Cut To Required Length)
3	★299819	Seal-Oil (Magneto Side)			694167 Piston Assembly (.010" Oversize)	60	699334	Grip-Starter Rope (Used After Code Date 03051100).
5	699486	Head-Cylinder			694168 Piston Assembly (.020" Oversize)			Note
7	★∅698210	Gasket-Cylinder Head			694169 Piston Assembly (.030" Oversize)			695740 Grip-Starter Rope (Used Before Code Date 03051200).
11	695745	Tube-Breather	26	499631	Ring Set (Standard)	65	697725	Screw (Rewind Starter) (Used After Code Date 02050700).
12	★692549	Gasket-Crankcase			Note			Note
13	691137	Screw (Cylinder Head)			692785 Ring Set (.010" Oversize)			695453 Screw (Rewind Starter) (Used Before Code Date 0205080000 and After Code Date 0106100000).
15	691686	Plug-Oil Drain			692786 Ring Set (.020" Oversize)			692608 Screw (Rewind Starter) (Used Before Code Date 01061100).
15A	695757	Plug-Oil Drain			692787 Ring Set (.030" Oversize)			
16	699445	Crankshaft (Used After Code Date 03061200).	27	691866	Lock-Piston Pin	78	695724	Screw (Flywheel Guard)
		Note	28	499423	Pin-Piston	95	691636	Screw (Throttle Valve)
		693887 Crankshaft (Used Before Code Date 03061300).	29	690124	Rod-Connecting	97	690024	Shaft-Throttle
18	699360	Cover-Crankcase (Used After Code Date 02041700).	30	692562	Dipper-Connecting Rod	98	398185	Kit-Idle Speed
		Note	32	691664	Screw (Connecting Rod)	104	●691242	Pin-Float Hinge
		699596 Cover-Crankcase (Used Before Code Date 02041800).	32A	695759	Screw (Connecting Rod)	108	695807	Valve-Choke
18A	790000	Cover-Crankcase (Used After Code Date 02041700). Used on Type No(s). 0110.	33	499642	Valve-Exhaust	109	695729	Shaft-Choke
		Note	34	499641	Valve-Intake	117	690048	Jet-Main (Standard)
		694833 Cover-Crankcase (Used Before Code Date 02041800). Used on Type No(s). 0110.	35	691304	Spring-Valve (Intake)	118	498977	Jet-Main (High Altitude)
20	★692550	Seal-Oil (PTO Side)	36	691304	Spring-Valve (Exhaust)	121	695157	Kit-Carburetor Overhaul
20A	★691952	Seal-Oil (PTO Side) (Auxiliary Drive) Used on Type No(s). 0110.	37	699661	Guard-Flywheel (Used After Code Date 01061000).	122	●693749	Spacer-Carburetor
					Note	125	695727	Carburetor
21	281658	Cap-Oil Fill	40	692194	Retainer-Valve	127	●694468	Plug-Welch
22	692551	Screw (Crankcase Cover/Sump)	45	690977	Tappet-Valve	130	691181	Valve-Throttle
23	695741	Flywheel	46	693404	Camshaft (Used on Type No(s). 0100.	133	398187	Float-Carburetor
24	222698	Key-Flywheel	46A	694831	Camshaft (Used on Type No(s). 0110.	134	●398188	Kit-Needle/Seat
					Note	137	●◆693981	Gasket-Float Bowl
			51	◆∅692555	Gasket-Intake	146	690979	Key-Timing

★ Included in Engine Gasket Set-Ref. No. 358.

△ Included in Carburetor Overhaul Kit-Ref. No. 121.

■ Included in Carburetor Gasket Set-Ref. No. 977.

◆ Included in Valve Gasket Set-Ref. No. 1095.

Illustrations cover a range of engines. Parts shown without corresponding text may not be used on your specific engine.

12A400

REF. NO.	PART NO.	DESCRIPTION	REF. NO.	PART NO.	DESCRIPTION	REF. NO.	PART NO.	DESCRIPTION
155	698214	Plate—Cylinder Head			(Used Before Code Date 02041500).	472	696691	Knob—Choke Shaft (Used After Code Date 01060700).
186	692317	Connector—Hose						Note ———
187	691050	Line—Fuel (Cut to Required Length)	276	♦271716	Washer—Sealing			695752 Knob—Choke Shaft (Used Before Code Date 01060800).
187A	692601	Line—Fuel (Molded)	281	697550	Panel—Control (Used After Code Date 01061000).			
188	690877	Screw (Control Bracket)			Note ———			
190	692127	Screw (Fuel Tank)			695732 Panel—Control (Used Before Code Date 01061100).	485	695755	Knob—Control
192	694543	Adjuster—Rocker Arm	300	698002	Muffler	493	695744	Bracket—Mounting
209	692571	Spring—Governor	304	696653	Housing—Blower	504	694254	Washer Set—Friction
209A	691278	Spring—Governor	305	691108	Screw (Blower Housing)	505	691251	Nut (Governor Control Lever)
219	693578	Gear—Governor	306	695710	Shield—Cylinder			523 693618 Dipstick
220	691724	Washer (Governor Gear)	307	690345	Screw (Cylinder Shield)			524 281370 Seal—Dipstick Tube
222	698326	Bracket—Control (Used After Code Date 03051200).	307A	691003	Screw (Cylinder Shield)			528 695746 Hose—Primer
		Note ———	318	690370	Screw (Mounting Bracket)			552 692346 Bushing—Governor Crank
		698033 Bracket—Control (Used Before Code Date 03051300 and After Code Date 02041400).	332	699359	Nut (Flywheel)			562 691119 Bolt (Governor Control Lever)
		695742 Bracket—Control (Used Before Code Date 02041500).			(Used After Code Date 03060800).			564 696685 Screw (Control Cover)
227	692573	Lever—Governor Control	333	695711	Armature—Magneto			597 691696 Screw (Pawl Friction Plate)
238	691300	Cap—Valve	334	691061	Screw (Magneto Armature)			598 220624 Shim—Endplay
268	691072	Control Wire Casing (Cut to Required Length)	337	491055	Plug—Spark			601 95162 Clamp—Hose
269	691589	Control Wire (Cut to Required Length)	356	695731	Wire—Stop			604 695749 Cover—Control
270	691027	Nut (Control Wire Casing)	358	698216	Gasket Set—Engine			608 699335 Starter—Rewind (Used After Code Date 03051100).
271	691028	Control Lever	363	19069	Puller—Flywheel			Note ———
271A	698038	Lever—Control (Used After Code Date 02041400).	365	692568	Screw (Carburetor)	613	691108	Screw (Muffler)
		Note ———	383	19374	Wrench—Spark Plug	613A	697812	Screw (Muffler) (Used After Code Date 03030200).
		695743 Lever—Control	427	694255	Nut (Control Bracket)			Note ———
			441	694262	Bracket—Oil Fill			694460 Screw (Muffler) (Used Before Code Date 03030300).
			449	691693	Screw (Oil Fill Bracket)			
			455	692591	Cup—Flywheel			
			456	692299	Plate—Pawl Friction			
			459	281505	Pawl—Ratchet			

★ Included in Engine Gasket Set—Ref. No. 358.

△ Included in Carburetor Overhaul Kit—Ref. No. 121.

■ Included in Carburetor Gasket Set—Ref. No. 977.

◆ Included in Valve Gasket Set—Ref. No. 1095.

Illustrations cover a range of engines. Parts shown without corresponding text may not be used on your specific engine.

REF. NO.	PART NO.	DESCRIPTION	REF. NO.	PART NO.	DESCRIPTION	REF. NO.	PART NO.	DESCRIPTION
615	692576	Retainer-Governor Shaft	830	694544	Stud (Rocker Arm)	977	695156	Gasket Set-Carburetor
616	692547	Crank-Governor	842	691031	Seal-O Ring (Dipstick Tube)	990	695756	Key Set
619	691108	Screw (Cylinder Head Plate)	847	693617	Dipstick/Tube Assembly	993	★∅694088	Gasket-Cylinder Head Plate
621	692310	Switch-Stop	851	493880	Terminal-Spark Plug	998	695758	Pipe-Oil
632A	692653	Spring/Link-Mechanical Governor	863	697280	Bracket-Muffler (Used After Code Date 01061000). ———— Note ——— 695734 Bracket-Muffler (Used Before Code Date 01061100).	1005	692592	Fan-Flywheel
633	◆693867	Seal-Choke/Throttle Shaft (Choke)	864	697814	Adapter-Muffler (Used After Code Date 03030200). ———— Note ——— 694430 Adapter-Muffler (Used Before Code Date 03030300).	1019	695751	Kit-Label
633A	◆691321	Seal-Choke/Throttle Shaft (Throttle)	868	★∅692044	Seal-Valve	1022	★∅691890	Gasket-Rocker Cover
635	692927	Boot-Spark Plug	883	★691893	Gasket-Exhaust	1023	499924	Cover-Rocker Arm
663	696685	Screw (Control Panel) (Used After Code Date 01061000). ———— Note ——— 695733 Screw (Control Panel) (Used Before Code Date 01061100).	883A	★69237	Gasket-Exhaust	1026	693517	Rod-Push
668	694257	Spacer	892	695747	Switch-Key	1029	691230	Arm-Rocker
689	691855	Spring-Friction	914	697551	Screw (Rocker Cover) (Used After Code Date 02031900). ———— Note ——— 692198 Screw (Rocker Cover) (Used Before Code Date 02032000).	1034	691343	Guide-Push Rod
692	690572	Spring-Detent (Choke)	930	696709	Guard-Rewind	1036	697004	Label-Emissions (Used After Code Date 01100700). ———— Note ——— 696766 Label-Emissions (Used Before Code Date 01100800 and After Code Date 01072900). 695041 Label-Emissions (Used Before Code Date 01073000).
718	690959	Pin-Locating	957	695737	Cap-Fuel Tank	1058	275697	Owner's Manual
731	696690	Hood-Snow (Used After Code Date 01060700). ———— Note ——— 695748 Hood-Snow (Used Before Code Date 01060800).	958	692586	Valve-Fuel Shut Off	1070	692590	Screw (Flywheel Fan)
741	695087	Gear-Timing	972	695736	Tank-Fuel	1095	695289	Gasket Set-Valve
742	692564	Retainer-E Ring	975	493640	Bowl-Float	1196	695733	Screw (Snow Hood)
746	692566	Gear-Idler	976	695750	Primer-Carburetor	1210	498144	Pulley/Spring Assembly (Pulley)
773	694258	Retainer	914A	692557	Screw (Rocker Cover)	1211	498144	Pulley/Spring Assembly (Spring)
819	691685	Screw (Muffler Bracket)	990	696709	Guard-Rewind	1224	696824	Nut (Carburetor Primer)
823	691665	Screw (Muffler Adapter)	995	695737	Cap-Fuel Tank	1230	695709	Stud (Control Bracket)
824	696017	Gasket-Heat Shield	998	695736	Tank-Fuel	1251	696699	Shield-Snow
						1330	272147	Repair Manual

★ Included in Engine Gasket Set-Ref. No. 358.

△ Included in Carburetor Overhaul Kit-Ref. No. 121.

■ Included in Carburetor Gasket Set-Ref. No. 977.

◆ Included in Valve Gasket Set-Ref. No. 1095.

Illustrations cover a range of engines. Parts shown without corresponding text may not be used on your specific engine.