



129800

Illustrated Parts List

Model Series

129800

TYPE NUMBERS
0100 through 4401.

TABLE OF CONTENTS

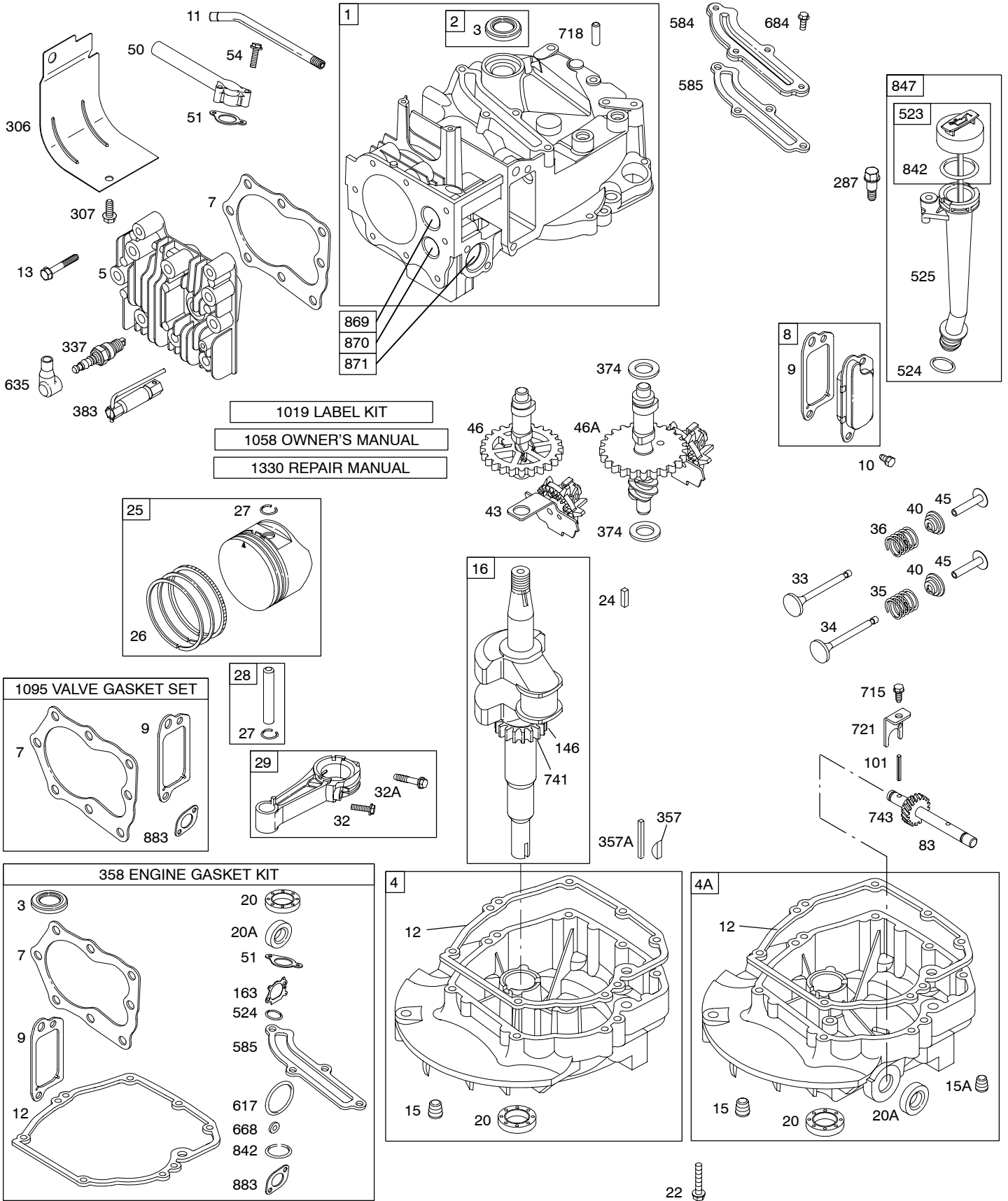
Alternator	8
Air Cleaner	4
Blower Housing/Shrouds	6
Camshaft	2
Carburetor	3
Controls	5
Crankshaft	2
Cylinder	2
Electric Starter	8
Electrical	8
Engine Sump	2
Exhaust System	4
Flywheel	7
Flywheel Brake	8
Fuel Supply	5
Governor Spring	5
Ignition	8
Kits/Gaskets	2 & 3
Lubrication	2
Piston Group	2
Rewind Starter	7
Valves	2



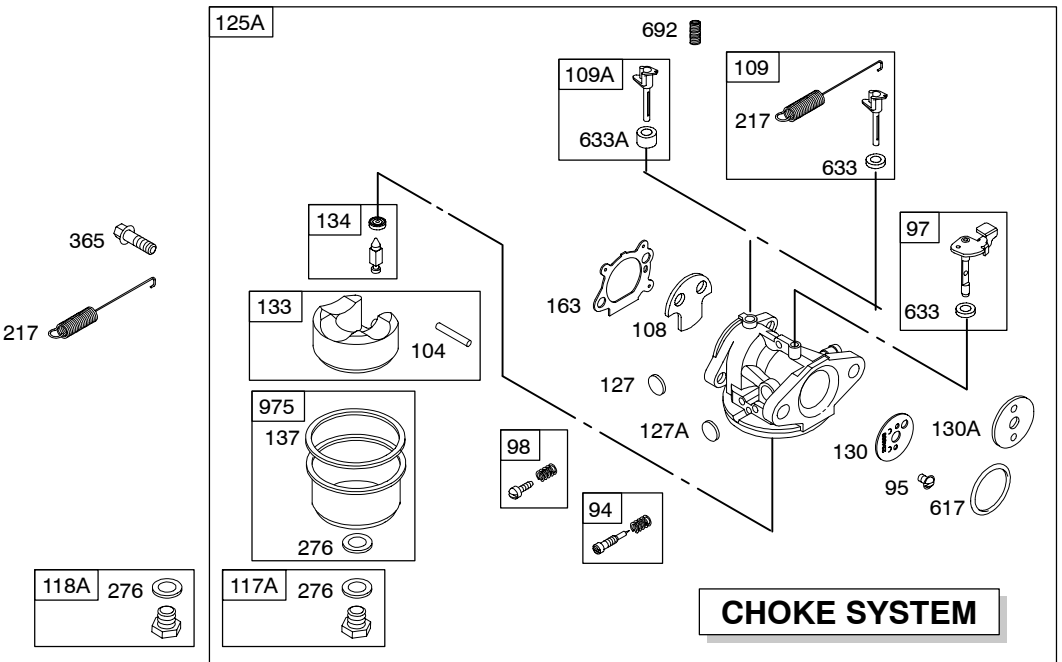
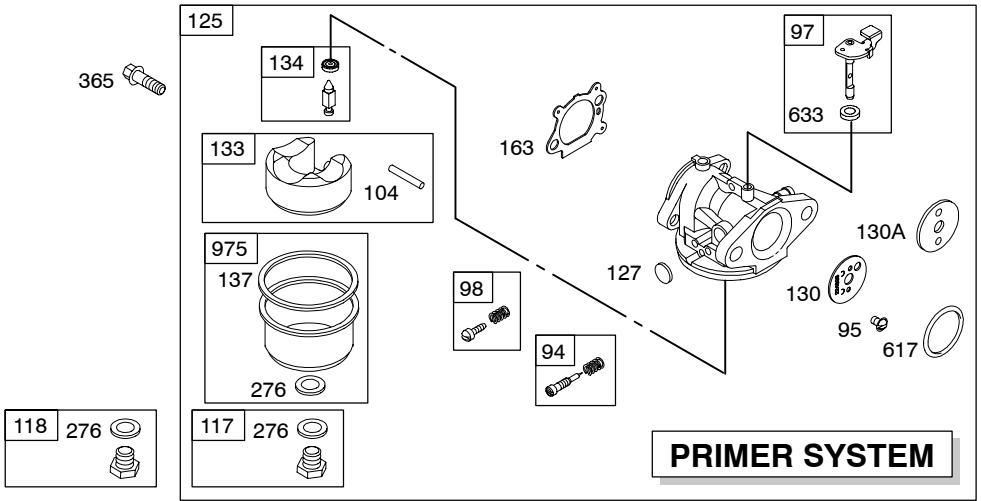
PRINTED IN U.S.A.

COPYRIGHT by BRIGGS & STRATTON CORPORATION
All rights reserved. No part of this material may be reproduced or transmitted, in any form or by any means, electronic or mechanical, including photocopying, recording or by any information storage and retrieval system, without permission in writing from Briggs & Stratton Corporation.

129800



Illustrations cover a range of engines. Parts shown without corresponding text may not be used on your specific engine.
 0558-2 Assemblies include all parts shown in frames. 09/21/2005

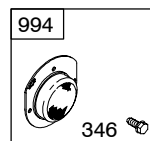
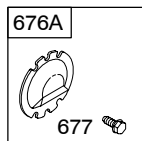
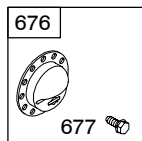
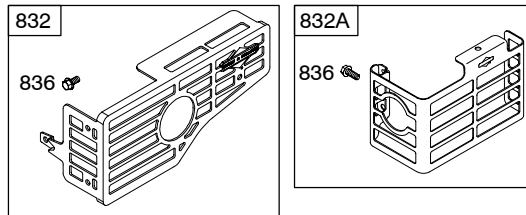
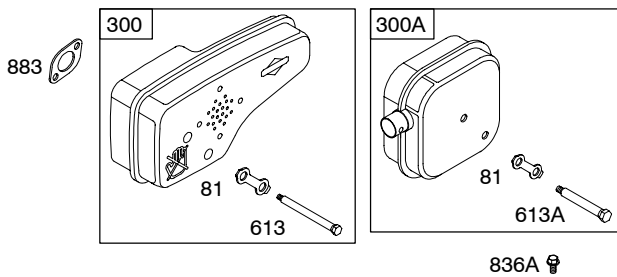
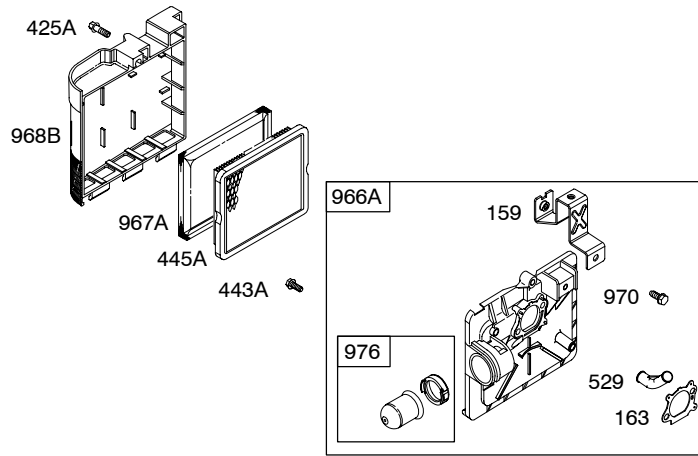


121 CARBURETOR OVERHAUL KIT		
94	134	276
104	137	617
127		633
127A	163	

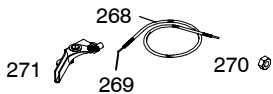
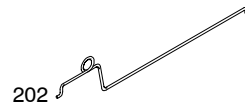
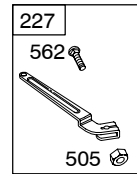
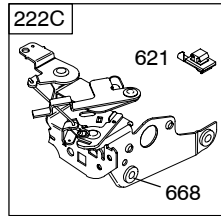
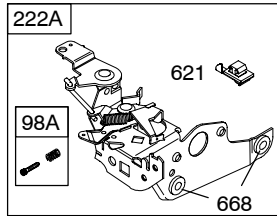
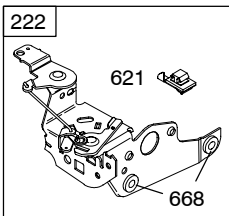
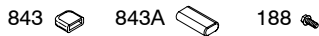
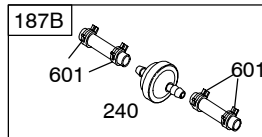
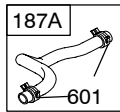
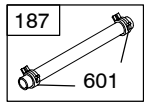
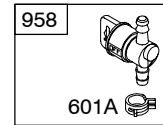
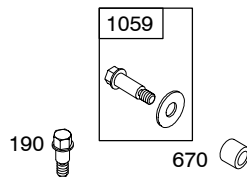
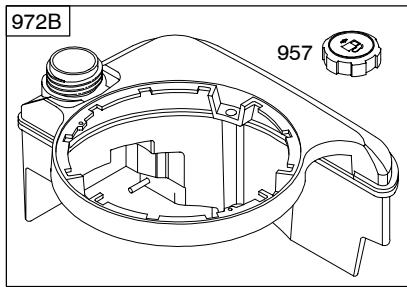
977 CARBURETOR GASKET SET		
137	276	633
163	617	

Illustrations cover a range of engines. Parts shown without corresponding text may not be used on your specific engine.
 0558-3 Assemblies include all parts shown in frames. 09/21/2005

129800

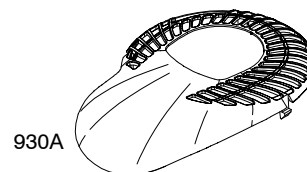
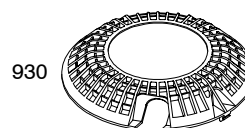
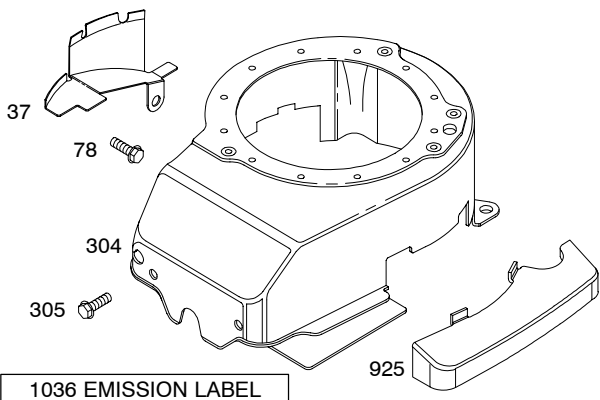
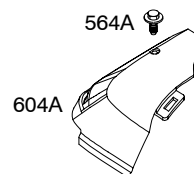
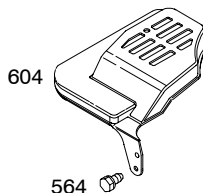
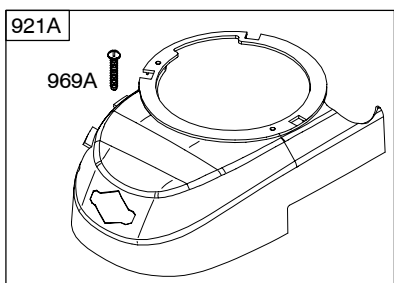
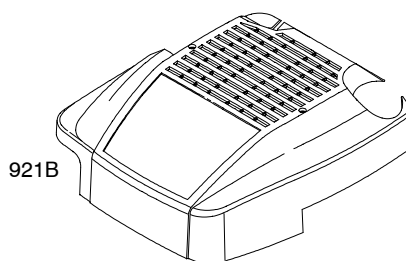
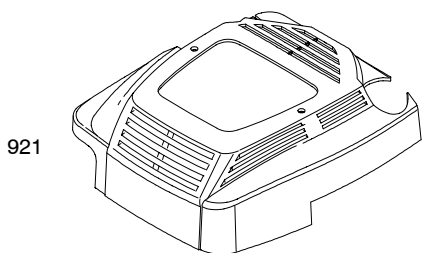


Illustrations cover a range of engines. Parts shown without corresponding text may not be used on your specific engine.
0558-4 Assemblies include all parts shown in frames. 09/21/2005



0558-5 *Illustrations cover a range of engines. Parts shown without corresponding text may not be used on your specific engine.* Assemblies include all parts shown in frames. 09/21/2005

129800

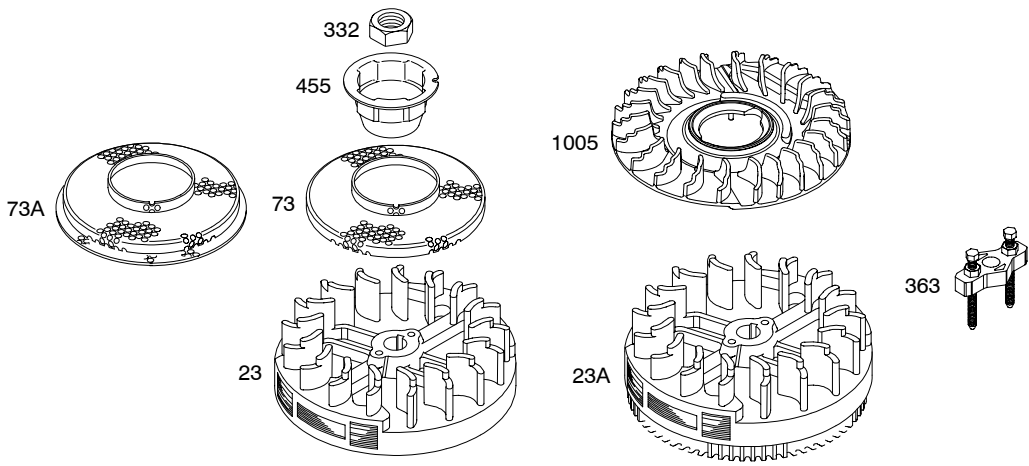
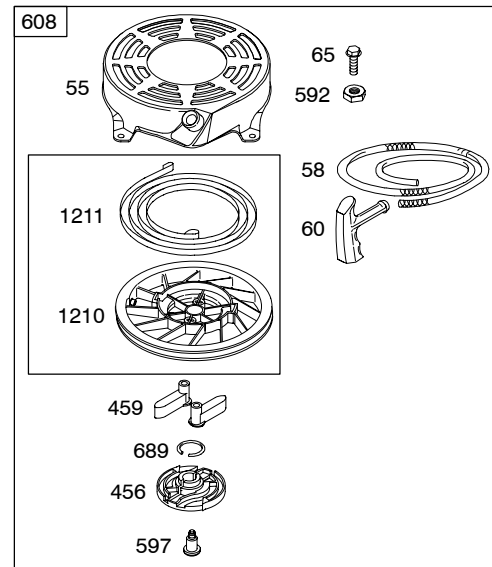
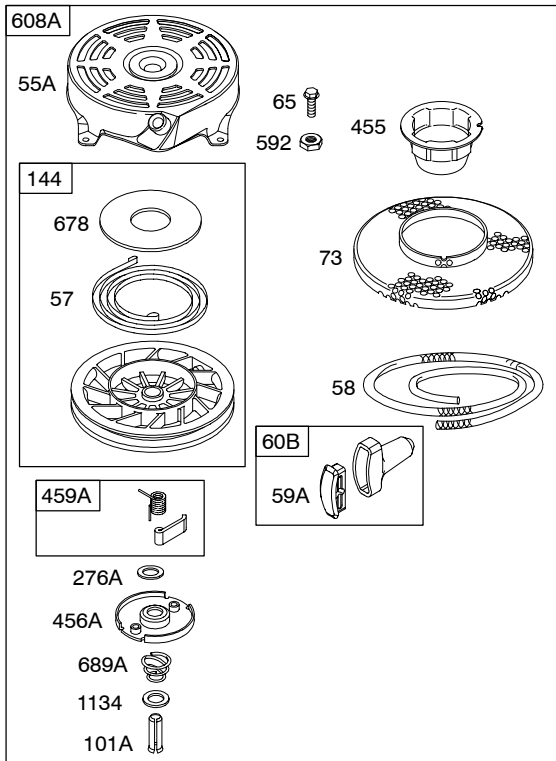


Illustrations cover a range of engines. Parts shown without corresponding text may not be used on your specific engine.

0558-6

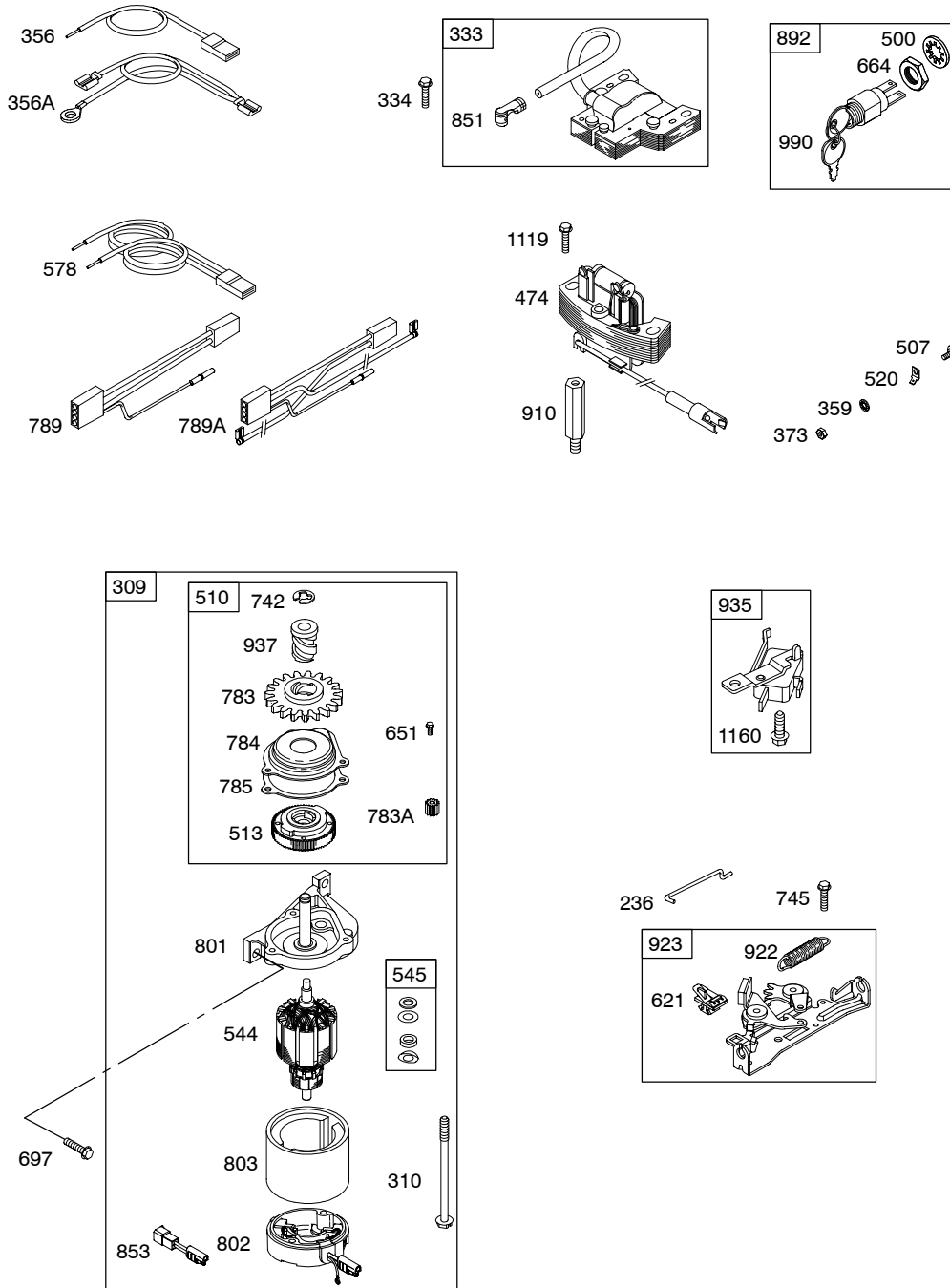
Assemblies include all parts shown in frames.

09/21/2005



Illustrations cover a range of engines. Parts shown without corresponding text may not be used on your specific engine.
 0558-7 Assemblies include all parts shown in frames. 09/21/2005

129800



0558-8 *Illustrations cover a range of engines. Parts shown without corresponding text may not be used on your specific engine.* Assemblies include all parts shown in frames. 09/21/2005

REF. NO.	PART NO.	DESCRIPTION	REF. NO.	PART NO.	DESCRIPTION	REF. NO.	PART NO.	DESCRIPTION
1	697324	Cylinder Assembly	16	691451	Crankshaft (Used After Code Date 97011200).		691452	Crankshaft (Used After Code Date 97011200).
2	399269	Kit-Bushing/Seal (Magneto Side)			----- Note -----			Used on Type No(s). 0822, 0828, 0835, 0845, 0848, 0855, 0865, 0881, 0889, 0893, 0899, 0917, 0918, 0919, 0920, 1143, 1520, 1962, 2319, 2343.
3	*299819	Seal-Oil (Magneto Side)			694442 Crankshaft (Used Before Code Date 9701130).			694059 Crankshaft (Used Before Code Date 97011300). Used on Type No(s). 0822, 0828, 0835, 0845, 0848, 0855, 0865, 0881, 0889, 0893, 0899, 0917, 0918, 0919, 1143, 1520, 2343.
4	493279	Sump-Engine			691450 Crankshaft (Used After Code Date 97011200).			691455 Crankshaft (Used After Code Date 97011200). Used on Type No(s). 0832, 0834, 0853, 0912, 1912, 2012, 2356, 2818, 2918.
4A	493365	Sump-Engine (Auxiliary PTO)			Used on Type No(s). 0600, 0808, 0838, 0846, 0847, 0859, 0863, 0864, 0874, 0875, 0878, 0879, 0880, 0883, 0913, 1108, 1114, 1115, 1116, 1117, 1134, 1139, 1141, 1154, 1350, 1351, 1508, 1512, 1518, 1519, 1700, 1908, 1910, 1929, 1933, 1975, 2040, 2042, 2308, 2317, 2608, 2825, 2925, 3149, 3150, 3151.		691375 Crankshaft (Used Before Code Date 97011300). Used on Type No(s). 0832, 0834, 0853, 0912, 2818.	
5	691160	Head-Cylinder			694440 Crankshaft (Used Before Code Date 97011300). Used on Type No(s). 0600, 0808, 0838, 0846, 0847, 0859, 0863, 0864, 0874, 0875, 0878, 0879, 0880, 0883, 0913, 1108, 1114, 1115, 1116, 1117, 1134, 1139, 1508, 1512, 1518, 1519, 2825.		692980 Crankshaft Used on Type No(s). 4305.	
7	*Ø692249	Gasket-Cylinder Head			693017 Crankshaft (Used After Code Date 97011200). Used on Type No(s). 2824.			692000 Crankshaft Used on Type No(s). 1426.
8	495786	Breather Assembly			694441 Crankshaft (Used Before Code Date 97011300). Used on Type No(s). 2824.			
9	*Ø272481	Gasket-Breather						
10	94650	Screw (Breather Assembly)						
11	691781	Tube-Breather						
12	*692232	Gasket-Crankcase						
13	690912	Screw (Cylinder Head)						
15	691680	Plug-Oil Drain (Square Socket)						
15A	691093	Plug-Oil Drain (Hex Socket)						

★ Included in Engine Gasket Set-Ref. No.358.

● Included in Carburetor Overhaul Kit-Ref. No. 121.

◆ Included in Carburetor Gasket Set-Ref. No. 977.

Ø Included in Valve Gasket Set-Ref. No 1095.

Illustrations cover a range of engines. Parts shown without corresponding text may not be used on your specific engine.

129800

REF. NO.	PART NO.	DESCRIPTION	REF. NO.	PART NO.	DESCRIPTION	REF. NO.	PART NO.	DESCRIPTION
20	★399781	Seal-Oil (PTO Side)	25	790358	Piston Assembly (Standard) (Used After Code Date 04031400).	26	790360	Ring Set (Standard) (Used After Code Date 04031400).
20A	★691952	Seal-Oil (PTO Side) (Auxiliary PTO)			----- Note -----			----- Note -----
22	691092	Screw (Crankcase Cover/ Sump)		499433	Piston Assembly (Standard) (Used After Code Date 97011200 and Before Code Date 04031500).		499425	Ring Set (Standard) (Used After Code Date 97011200 and Before Code Date 04031500).
23	692315	Flywheel (Rewind Start Only)		494058	Piston Assembly (Standard) (Used Before Code Date 97011300).		493261	Ring Set (Standard) (Used Before Code Date 97011300).
23A	691987	Flywheel (Electric Start) ----- Note ----- 691992 Flywheel (Electric Start) Used on Type No(s). 0837, 0843, 0845, 0848, 0860, 0865, 0876, 0881, 0887, 1112, 1520, 1905, 1912, 1931, 1962, 2319, 2356.		499434	Piston Assembly (.010" Oversize) (Used After Code Date 97011200).		499426	Ring Set (.010" Oversize) (Used After Code Date 97011200).
24	222698	Key-Flywheel		494059	Piston Assembly (.010" Oversize) (Used Before Code Date 97011300).		791324	Ring Set (.020" Oversize) (Used After Code Date 04102100).
				791325	Piston Assembly (.020" Oversize) (Used After Code Date 04102100).		499427	Ring Set (.020" Oversize) (Used After Code Date 97011200 and Before Code Date 04102200).
				499435	Piston Assembly (.020" Oversize) (Used After Code Date 97011200 and Before Code Date 04102200).		493389	Ring Set (.020" Oversize) (Used Before Code Date 97011300).
				494060	Piston Assembly (.020" Oversize) (Used Before Code Date 97011300).		499428	Ring Set (.030" Oversize) (Used After Code Date 97011200).
				499436	Piston Assembly (.030" Oversize) (Used After Code Date 97011200).		493390	Ring Set (.030" Oversize) (Used Before Code Date 97011300).
				494061	Piston Assembly (.030" Oversize)			

★ Included in Engine Gasket Set-Ref. No.358.

● Included in Carburetor Overhaul Kit-Ref. No. 121.

◆ Included in Carburetor Gasket Set-Ref. No. 977.

⊗ Included in Valve Gasket Set-Ref. No 1095.

Illustrations cover a range of engines. Parts shown without corresponding text may not be used on your specific engine.

REF. NO.	PART NO.	DESCRIPTION	REF. NO.	PART NO.	DESCRIPTION	REF. NO.	PART NO.	DESCRIPTION
27	691866	Lock-Piston Pin (Used After Code Date 97011200). ----- Note ----- 691588 Lock-Piston Pin (Used Before Code Date 97011300).	36	691270	Spring-Valve (Exhaust)	51	★272199	Gasket-Intake
28	499423	Pin-Piston (Standard) (Used After Code Date 97011200). ----- Note ----- 298909 Pin-Piston (Standard) (Used Before Code Date 97011300). 298908 Pin-Piston (.005" Oversize) (Used Before Code Date 97011300).	37	694086	Guard-Flywheel	54	691650	Screw (Intake Manifold)
29	499424	Rod-Connecting (Standard) (Used After Code Date 97011200). ----- Note ----- 490566 Rod-Connecting (Standard) (Used Before Code Date 97011300). 490743 Rod-Connecting (.020" Undersize) (Used Before Code Date 97011300).	38	692194	Retainer-Valve	55	691421	Housing-Rewind Starter
32	691664	Screw (Connecting Rod)	39	691997	Slinger-Governor/Oil	55A	492831	Housing-Rewind Starter
32A	695759	Screw (Connecting Rod) (Used After Code Date 00042200).	40	690548	Tappet-Valve	57	491889	Spring-Rewind Starter
33	262651	Valve-Exhaust	41	691449	Camshaft (Used After Code Date 96060200). ----- Note ----- 492830 Camshaft (Used Before Code Date 96060300).	58	280399	Rope-Starter (Cut To Required Length)
34	262652	Valve-Intake	42	691460	Camshaft (Clockwise) (Used After Code Date 96060200). ----- Note ----- 493740 Camshaft (Clockwise) (Used Before Code Date 96060300).	59A	396892	Insert-Grip
35	691270	Spring-Valve (Intake)	43		691459 Camshaft (Counterclockwise) (Used After Code Date 96060200). Used on Type No(s). 0689, 0832, 0841, 0850, 0860, 0867, 0873, 0877, 0878, 0883, 0905, 0906, 0915, 1111, 1138, 1930, 1932, 2034, 2039, 2355, 2851, 2026, 2043. 493738 Camshaft (Counterclockwise) (Used Before Code Date 96060300). Used on Type No(s). 0689, 0832, 0841, 0850, 0860, 0867, 0873, 0877, 0878, 0883, 0905, 0906, 0915, 1111, 1138, 2851.	60	281434	Grip-Starter Rope (Pistol Grip)
			44		497465 Manifold-Intake	60B	393152	Grip-Starter Rope (2 Piece)
						65	690837	Screw (Rewind Starter)
						73	691221	Screen-Rotating
						73A	691222	Screen-Rotating
						78	691108	Screw (Flywheel Guard)
						81	691740	Lock-Muffler Screw
						83	691778	Shaft-Auxiliary Drive ----- Note ----- 690522 Shaft-Auxiliary Drive Used on Type No(s). 0841, 0910, 0914, 1111, 1930, 1932, 2039, 2355, 2851, 2950, 2951. 690523 Shaft-Auxiliary Drive Used on Type No(s). 0836, 1350, 1936. 690524 Shaft-Auxiliary Drive Used on Type No(s). 0689, 0832, 0860, 0867, 0873, 0877, 0878, 0883, 0905, 0906, 1138, 2026, 2029, 2043.
						94	●493765	Kit-Idle Mixture
						95	691636	Screw (Throttle Valve)

★ Included in Engine Gasket Set-Ref. No.358.
● Included in Carburetor Overhaul Kit-Ref. No. 121.

◆ Included in Carburetor Gasket Set-Ref. No. 977.
⊘ Included in Valve Gasket Set-Ref. No 1095.

Illustrations cover a range of engines. Parts shown without corresponding text may not be used on your specific engine.

129800

REF. NO.	PART NO.	DESCRIPTION	REF. NO.	PART NO.	DESCRIPTION	REF. NO.	PART NO.	DESCRIPTION
97	493267	Shaft-Throttle (Metal) ----- Note ----- 696565 Shaft-Throttle (Plastic)	118	497315	Jet-Main (High Altitude) (Used After Code Date 02092900). ----- Note ----- 497348 Jet-Main (High Altitude) (Used After Code Date 96060200 and Before Code Date 02093000).	125	698444	Carburetor (Primer System) (Used After Code Date 96060200). ----- Note ----- 498170 Carburetor (Primer System) (Used Before Code Date 96060300).
98	398185	Kit-Idle Speed				125A	498964	Carburetor (Choke System) (Used After Code Date 96060200). ----- Note ----- 497353 Carburetor (Choke System) (Used Before Code Date 96060300). 790978 Carburetor (Choke System) Used on Type No(s). 1910. 690000 Carburetor (Choke System) Used on Type No(s). 2319.
98A	493280	Kit-Idle Speed				127	694468	Plug-Welch (3/8" Diameter)
101	691623	Pin-Shaft				127A	691739	Plug-Welch (5/16" Diameter)
101A	262626	Pin-Shaft				130	691203	Valve-Throttle ----- Note ----- 696564 Valve-Throttle (Used With Plastic Throttle Shaft)
104	691242	Pin-Float Hinge				130A	691181	Valve-Throttle
108	691182	Valve-Choke				133	398187	Float-Carburetor
109	494218	Shaft-Choke				134	398188	Kit-Needle/Seat
109A	498593	Shaft-Choke				137	693981	Gasket-Float Bowl
117	494870	Jet-Main (Standard) (Used After Code Date 02092900). ----- Note ----- 498975 Jet-Main (Standard) (Used After Code Date 96060200 and Before Code Date 02093000). 494870 Jet-Main (Standard) (Used After Code Date 95102900 and Before Code Date 96060300). 497466 Jet-Main (Standard) (Used After Code Date 94070300 and Before Code Date 95103000). 493637 Jet-Main (Standard) (Used Before Code Date 94070400). 497315 Jet-Main (High Altitude) (Used Before Code Date 96060300). 494870 Jet-Main (High Altitude) Used on Type No(s). 1910. 497315 Jet-Main (High Altitude) Used on Type No(s). 2319.	118A	498977	Jet-Main (High Altitude) (Used After Code Date 96060200). ----- Note ----- 497315 Jet-Main (High Altitude) (Used Before Code Date 96060300). 494870 Jet-Main (High Altitude) Used on Type No(s). 1910. 497315 Jet-Main (High Altitude) Used on Type No(s). 2319.	144	493824	Pulley/Spring Assembly
117A	498976	Jet-Main (Standard) (Used After Code Date 96060200). ----- Note ----- 496063 Jet-Main (Standard) (Used Before Code Date 96060300). 498981 Jet-Main (Standard) Used on Type No(s). 1910. 494870 Jet-Main (Standard) Used on Type No(s). 2319.	121	498260	Kit-Carburetor Overhaul	146	690979	Key-Timing
						159	691753	Bracket-Air Cleaner Primer

★ Included in Engine Gasket Set-Ref. No.358.

● Included in Carburetor Overhaul Kit-Ref. No. 121.

◆ Included in Carburetor Gasket Set-Ref. No. 977.

⊘ Included in Valve Gasket Set-Ref. No 1095.

Illustrations cover a range of engines. Parts shown without corresponding text may not be used on your specific engine.

REF. NO.	PART NO.	DESCRIPTION	REF. NO.	PART NO.	DESCRIPTION	REF. NO.	PART NO.	DESCRIPTION
188	690877	Screw	209	699056	Spring-Governor	209A	691835	Spring-Governor
187	791766	Line-Fuel (Cut to Required Length) (Used After Code Date 05063000).			----- Note -----			----- Note -----
		----- Note -----			691851 Spring-Governor Used on Type No(s). 0832, 0834, 0838, 0855, 0874, 0875, 0877, 0906, 0908, 0913, 0928, 1113, 1116, 1117, 1350, 1351, 1367, 1368, 1512, 1516, 1519, 1937, 1974, 1975, 2006, 2008, 2028, 2030, 2035, 2040, 2313, 2317, 2318, 3149, 3150, 3151.		691834 Spring-Governor Used on Type No(s). 0426,0437,0441,1134, 1139,1415,1416,1418, 1424,1425,1426,1460, 2860.	
187A	791873	Line-Fuel (Molded) (Used After Code Date 05063000).			691292 Spring-Governor Used on Type No(s). 0819, 0822, 0828, 0846, 0847, 0848, 0853, 0856, 0857, 0859, 0860, 0861, 0862, 0863, 0867, 0873, 0876, 0881, 0887, 0888, 0889, 0915, 0917, 0918, 0919, 0920, 1108, 1111, 1154, 1508, 1517, 1912, 1915, 1932, 1961, 1962, 2308, 2319, 2608, 2617.		691833 Spring-Governor Used on Type No(s). 0410,0411,0412,0413, 0429,0435,0474,0475, 0813,0835,0927,1518, 1520.	
		----- Note -----			691291 Spring-Governor Used on Type No(s). 0864, 0878, 0883, 1905, 2034, 2356, 4305.		691832 Spring-Governor Used on Type No(s). 0425,0470.	
187B	791891	Line-Fuel (Includes Filter) (Used After Code Date 05063000).			691290 Spring-Governor Used on Type No(s). 0836, 1936.		691276 Spring-Governor Used on Type No(s). 0415,0416,0905,0907, 0909.	
		----- Note -----			690568 Spring-Governor Used on Type No(s). 0865.		691275 Spring-Governor Used on Type No(s). 0514,0515.	
190	690940	Screw (Fuel Tank)					690569 Spring-Governor Used on Type No(s). 0472,0872,0879,0880, 1114,1115,1141.	
202	691829	Link-Mechanical Governor					690567 Spring-Governor Used on Type No(s). 0436.	
							262661 Spring-Governor Used on Type No(s). 0208,0508.	
							262659 Spring-Governor Used on Type No(s). 0100,0120,0126,0180, 0408,0513,1451.	
							262658 Spring-Governor Used on Type No(s). 0432,0434.	
							791157 Spring-Governor Used on Type No(s). 1910.	

★ Included in Engine Gasket Set-Ref. No.358.

● Included in Carburetor Overhaul Kit-Ref. No. 121.

◆ Included in Carburetor Gasket Set-Ref. No. 977.

⊘ Included in Valve Gasket Set-Ref. No 1095.

Illustrations cover a range of engines. Parts shown without corresponding text may not be used on your specific engine.

129800

REF. NO.	PART NO.	DESCRIPTION	REF. NO.	PART NO.	DESCRIPTION	REF. NO.	PART NO.	DESCRIPTION
217	690354	Spring-choke Return	300	496106	Muffler (Super Lo Tone Tuned)	358	497316	Gasket Set-Engine (Used After Code Date 94063000).
222	790143	Bracket-Control (Remote/Manual Friction)(Primer)	300A	494343	Muffler (Square Lo Tone)			----- Note -----
222A	692021	Bracket-Control (Remote Choke A Matic, Non Compliance) ----- Note ----- 690839 Bracket- Control (Manual Friction) (Choke A Matic) Used on Type No(s). 2860.	304	493294	Housing-Blower (Non Compliance) ----- Note ----- 493293 Housing- Blower (Compliance) 695892 Housing- Blower Used on Type No(s). 1141, 1910, 2025.			496117 Gasket Set-Engine (Used Before Code Date 94070100).
		790982 Bracket- Control Used on Type No(s). 1910.	305	691108	Screw (Blower Housing)	359	691077	Washer (Ground Terminal)
222C	692150	Bracket-Control Used on Type No(s). 2319.	306	690450	Shield-Cylinder	363	19069	Flywheel Puller
227	690783	Lever-Governor Control	307	690345	Screw (Cylinder Shield)	365	691688	Screw (Carburetor)
236	691826	Link-Lockout	309	695550	Motor-Starter	373	691612	Nut (Ground Terminal)
240	298090	Filter-Fuel	310	692327	Bolt (Starter Motor)	374	691074	Washer (Camshaft)
265	690798	Clamp-Casing	332	690662	Nut (Flywheel)	383	89838	Wrench-Spark Plug
265A	691024	Clamp-Casing	333	802574	Armature-Magneto	404	690272	Washer (Governor Crank)
265B	692179	Clamp-Casing	334	691061	Screw (Magneto Armature)	425A	690670	Screw (Air Cleaner Cover)
267	691044	Screw (Casing Clamp)	337	802592	Plug-Spark (Resistor) ----- Note ----- 697451 Plug-Spark (EMS)	443A	692523	Screw (Air Cleaner Primer Base)
268	691025	Casing-Control Wire (Cut To Required Length)	346	690661	Screw (Spark Arrestor)	445A	491588	Filter-Air Cleaner Cartridge
269	691026	Wire-Control (Cut To Required Length)	356	692390	Wire-Stop	455	695161	Cup-Flywheel (Tapered Side Cup)
270	691027	Nut (Control Wire Casing)	356A	690650	Wire-Stop	455A	224250	Cup-Flywheel (Straight Side Cup)
271	691028	Lever-Control	357	695867	Key-Drive Pulley (3/16" Square)	456	692299	Plate-Pawl Friction
276	◆271716	Washer-Sealing	357A	692191	Key-Drive Pulley (1/4" Square) ----- Note ----- 691483 Key-Drive Pulley (1/4" Square)	456A	224321	Plate-Pawl Friction
276A	280973	Washer-Sealing				459	281505	Pawl-Ratchet
287	690940	Screw (Dipstick Tube)				459A	492833	Pawl-Ratchet
						474	691991	Alternator
						500	691086	Washer (Key Switch)
						505	691251	Nut (Governor Control Lever)
						507	691972	Insulator
						510	494147	Drive-Starter
						513	692358	Clutch-Drive

★ Included in Engine Gasket Set-Ref. No.358.

● Included in Carburetor Overhaul Kit-Ref. No. 121.

◆ Included in Carburetor Gasket Set-Ref. No. 977.

⊘ Included in Valve Gasket Set-Ref. No 1095.

Illustrations cover a range of engines. Parts shown without corresponding text may not be used on your specific engine.

REF. NO.	PART NO.	DESCRIPTION	REF. NO.	PART NO.	DESCRIPTION	REF. NO.	PART NO.	DESCRIPTION
520	691084	Terminal-Ground	651	691660	Screw (Starter Gear Cover)	745	691648	Screw (Brake)
523	495264	Dipstick	664	691087	Nut (Key Switch)	776	396526	Guide-Rope
524	★692296	Seal-Dipstick Tube	668	★493823	Spacer (Includes 2)	783	691918	Gear-Pinion (Starter Drive) (19 Teeth)
525	495265	Tube-Dipstick	670	692294	Spacer-Fuel Tank	783A	691269	Gear-Pinion (12 Teeth)
529	691923	Grommet	676	396548	Deflector-Muffler (Single Louver)	784	692341	Cover-Starter Gear
544	690786	Armature-Starter	676A	393756	Deflector-Muffler (Direct Out) (3/4" Diameter)	785	692352	Gasket-Starter Cover
545	492919	Washer Set (Starter Motor)	677	690661	Screw (Muffler Deflector)	789	696546	Harness-Wiring (Used After Code Date 00040600).
562	92613	Bolt (Governor Control Lever)	678	224278	Spacer-Rewind			----- Note -----
564	690664	Screw (Control Cover)	684	690345	Screw (Breather Passage Cover)	690790		Harness-Wiring (Used Before Code Date 00040700).
564A	691142	Screw (Control Cover)	689	691855	Spring-Friction	789A	696547	Harness-Wiring (Used After Code Date 00040600).
578	398153	Wire Assembly	689A	262625	Spring-Friction			----- Note -----
584	697734	Cover-Breather Passage	692	690572	Spring-Detent			691372 Harness-Wiring (Used Before Code Date 00040700).
585	★691879	Gasket-Breather Passage	697	692127	Screw (Drive Cap)			494544 Harness-Wiring Used on Type No(s). 0515.
592	690800	Nut (Rewind Starter)	715	691147	Screw (Shaft Stop)	801	690782	Cap-Drive
597	691696	Screw (Pawl Friction Plate)	718	690959	Pin-Locating	802	695267	Cap-End (Used After Code Date 00040600).
601	95162	Clamp-Hose (Green)	721	690449	Stop-Shaft			----- Note -----
601A	691038	Clamp-Hose (Black)	741	790345	Gear-Timing (Use Without Woodruff Key)			695975 Cap-End (Used Before Code Date 00040700).
604	691757	Cover-Control			----- Note -----			695975 Housing-Starter (Used After Code Date 00040600).
604A	691344	Cover-Control			691830 Gear-Timing (Uses Woodruff Key)			----- Note -----
608	497680	Starter-Rewind	742	93941	Retainer-E Ring	803	695266	Housing-Starter (Used After Code Date 00040600).
608A	497598	Starter-Rewind	743	690516	Gear-Drive ----- Note -----			695975 Housing-Starter (Used Before Code Date 00040700).
613	691340	Screw (Muffler)			691772 Gear-Drive (Counterclockwise) Used on Type No(s). 0689, 0832, 0841, 0850, 0860, 0867, 0873, 0877, 0878, 0883, 0905, 0906, 0915, 1111, 1138, 1930, 1932, 2026, 2029, 2039, 2043, 2355, 2851, 2951.			
613A	691653	Screw (Muffler)						
615	690340	Retainer-Governor Shaft						
616	698801	Crank-Governor						
617★◆	270344	Seal-O Ring (Intake Manifold)						
621	692310	Switch-Stop						
633◆	691321	Seal-Choke/Throttle Shaft						
633A◆	693867	Seal-Choke/Throttle Shaft						
635	66538	Boot-Spark Plug						

★ Included in Engine Gasket Set-Ref. No.358.

● Included in Carburetor Overhaul Kit-Ref. No. 121.

◆ Included in Carburetor Gasket Set-Ref. No. 977.

⊘ Included in Valve Gasket Set-Ref. No 1095.

Illustrations cover a range of engines. Parts shown without corresponding text may not be used on your specific engine.

129800

REF. NO.	PART NO.	DESCRIPTION	REF. NO.	PART NO.	DESCRIPTION	REF. NO.	PART NO.	DESCRIPTION
832	499034	Guard-Muffler (Used With Super Lo Tone Tuned Muffler)	910	691094	Stud (Alternator)	970	691669	Screw (Air Cleaner Primer Bracket)
832A	691424	Guard-Muffler	921	497233	Cover-Blower Housing	972B	699374	Tank-Fuel (Plastic)
836	690664	Screw (Muffler Guard)	921A	695886	Cover-Blower Housing	975	493640	Bowl-Float
836A	690661	Screw (Muffler Guard)	921B	692931	Cover-Blower Housing	976	694395	Primer-Carburetor
842	★691031	Seal-O Ring (Dipstick Tube)	922	691831	Spring-Brake ----- Note ----- 692135 Spring-Brake Used on Type No(s). 1141, 1910, 2025.	977	498261	Gasket Set-Carburetor
843	691884	Sleeve-Lever (Speed Control)	923	691994	Brake ----- Note ----- 695891 Brake Used on Type No(s). 1141, 1910, 2025.	990	691959	Key Set
843A	691895	Sleeve-Lever (Choke)	925	690595	Cover-Linkage	994	398067	Arrestor-Spark
847	692017	Dipstick/Tube Assembly	930	691919	Guard-Rewind	1005	691346	Fan-Flywheel
851	493880	Terminal-Spark Plug	930A	691345	Guard-Rewind	1019	494256	Kit-Label
853	695268	Adapter-Wire ----- Note ----- 698471 Adapter-Wire Used on Type No(s). 2045.	935	499421	Switch-Interlock	1036		Label-Emission (Available From An Authorized Briggs & Statton Sevice Dealer)
869	691155	Seat-Valve (Intake)	937	691325	Spline-Starter	1058	276171	Manual-Owner's
870	690380	Seat-Valve (Exhaust)	946	691738	Stop-Rope	1059	692311	Kit-Screw/Washer
871	262001	Bushing-Valve Guide (Exhaust) ----- Note ----- 63709 Bushing-Valve Guide (Intake)	957	397974	Cap-Fuel Tank (Plastic)	1095	498528	Gasket Set-Valve
883	★Ø691881	Gasket-Exhaust	958	698183	Valve-Fuel Shut Off (Plastic)	1119	691648	Screw (Alternator)
892	690646	Switch-Key	966A	496116	Base-Air Cleaner Primer	1134	224322	Washer (Pawl Friction Plate)
			967A	493537	Filter-Pre Cleaner	1160	691627	Screw (Interlock Switch)
			968B	692298	Cover-Air Cleaner	1210	498144	Pulley/Spring Assembly (Pulley)
			969	690700	Screw (Blower Housing Cover)	1211	498144	Pulley/Spring Assembly (Spring)
			969A	691138	Screw (Blower Housing Cover)	1330	270962	Manual-Repair

★ Included in Engine Gasket Set-Ref. No.358.

● Included in Carburetor Overhaul Kit-Ref. No. 121.

◆ Included in Carburetor Gasket Set-Ref. No. 977.

Ø Included in Valve Gasket Set-Ref. No 1095.

Illustrations cover a range of engines. Parts shown without corresponding text may not be used on your specific engine.