



129700

Illustrated Parts List

Model Series

129700

TYPE NUMBERS
0108 through 1773.

TABLE OF CONTENTS

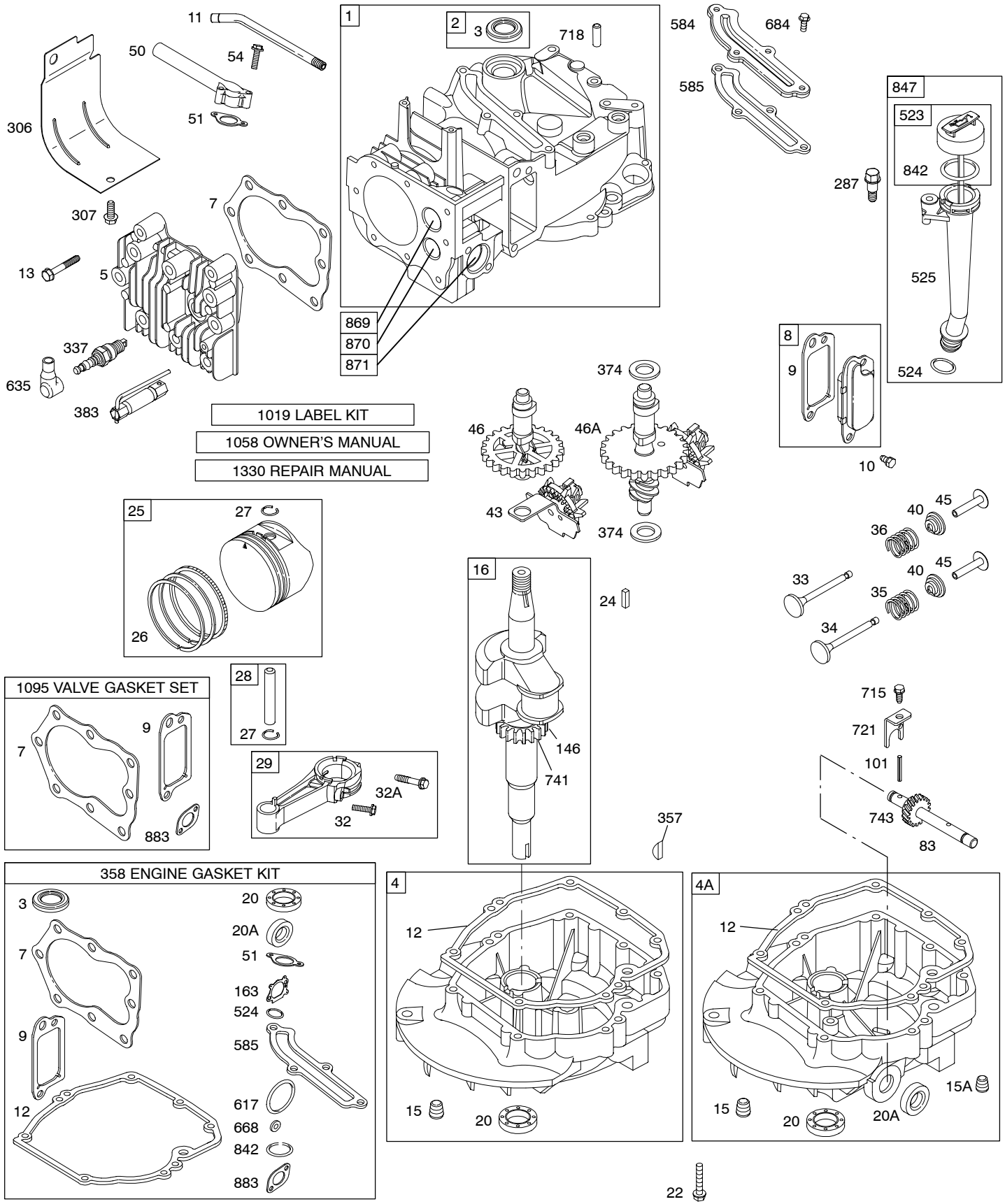
Alternator	7
Air Cleaner	4
Blower Housing/Shrouds	6
Camshaft	2
Carburetor	3
Controls	5
Crankshaft	2
Cylinder	2
Electric Starter	7
Electrical	7
Engine Sump	2
Exhaust System	4
Flywheel	6
Flywheel Brake	7
Fuel Supply	5
Governor Spring	5
Ignition	7
Kits/Gaskets	2 & 3
Lubrication	2
Piston Group	2
Rewind Starter	6
Valves	2



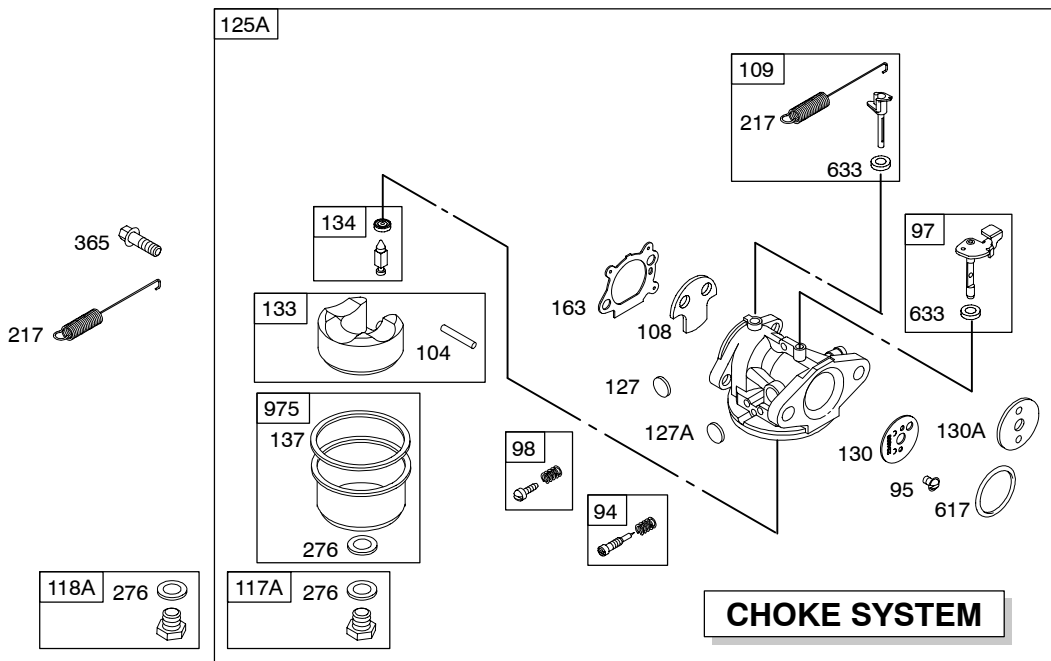
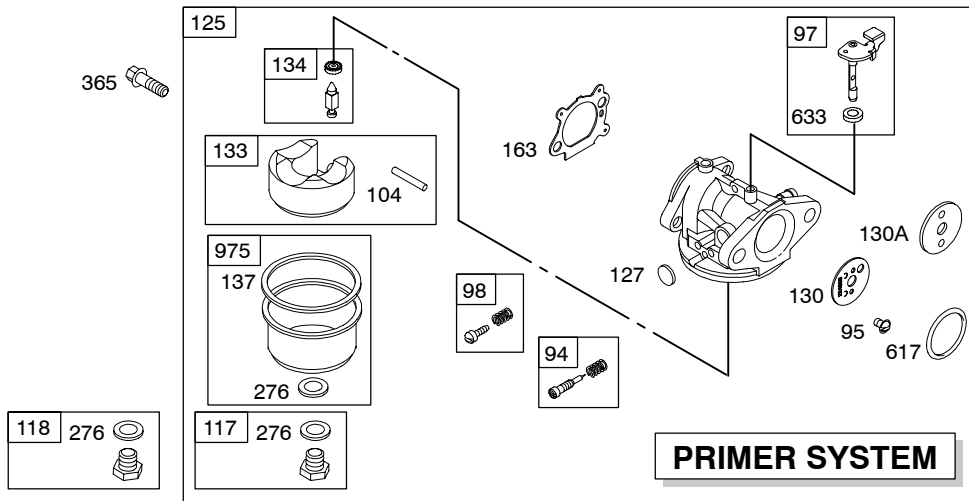
PRINTED IN U.S.A.

COPYRIGHT by BRIGGS & STRATTON CORPORATION
All rights reserved. No part of this material may be reproduced or transmitted, in any form or by any means, electronic or mechanical, including photocopying, recording or by any information storage and retrieval system, without permission in writing from Briggs & Stratton Corporation.

129700



Illustrations cover a range of engines. Parts shown without corresponding text may not be used on your specific engine.
 0485-2 Assemblies include all parts shown in frames. 09/20/2005

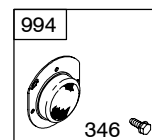
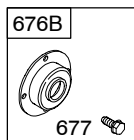
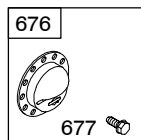
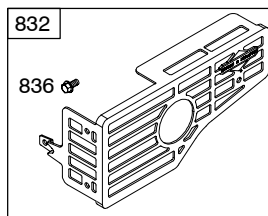
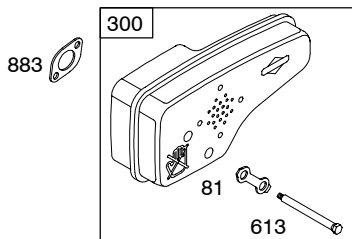
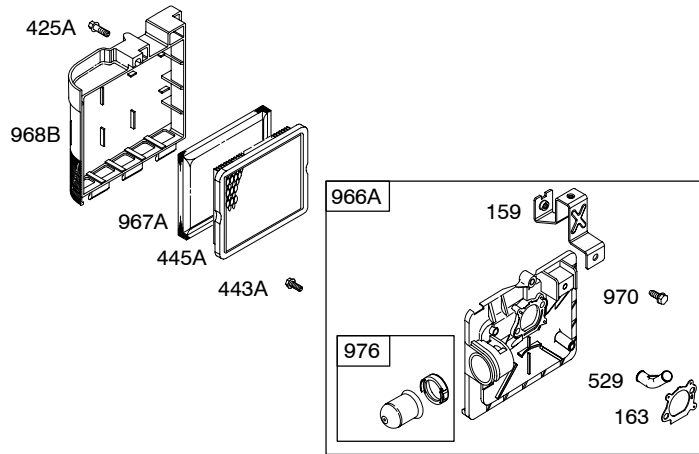


121 CARBURETOR OVERHAUL KIT		
94	134	276
104	137	617
127		633
127A	163	

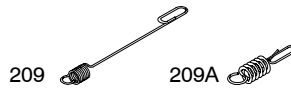
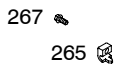
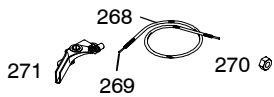
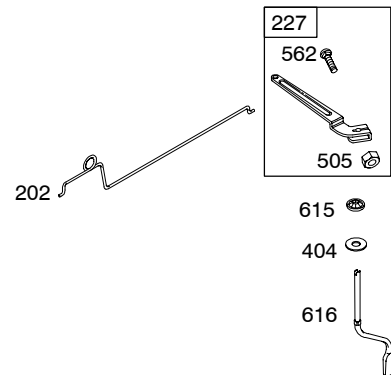
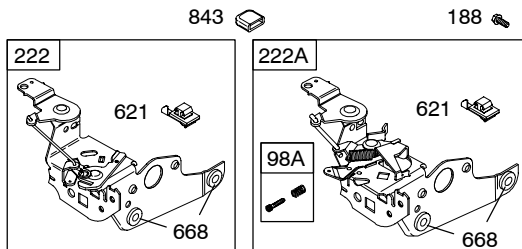
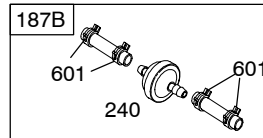
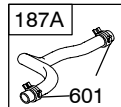
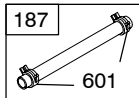
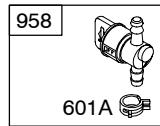
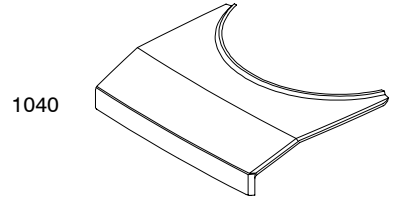
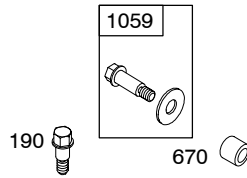
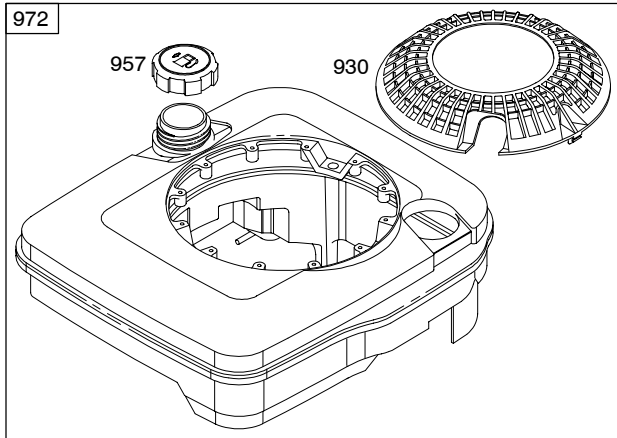
977 CARBURETOR GASKET SET		
137	276	633
163	617	

Illustrations cover a range of engines. Parts shown without corresponding text may not be used on your specific engine.
 0485-3 Assemblies include all parts shown in frames. 09/20/2005

129700

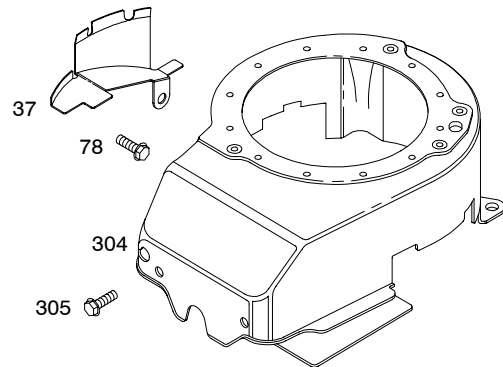
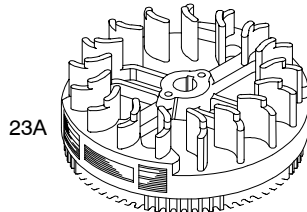
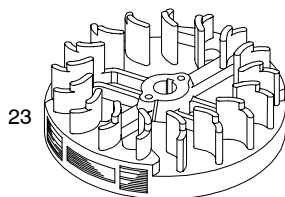
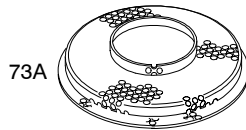
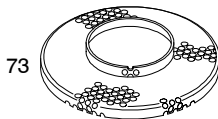
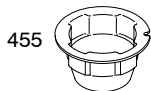
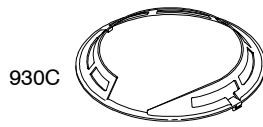
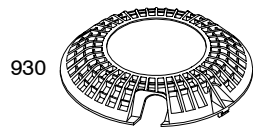
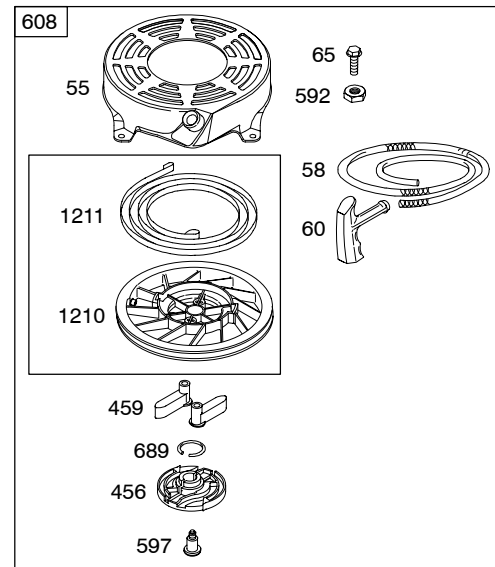
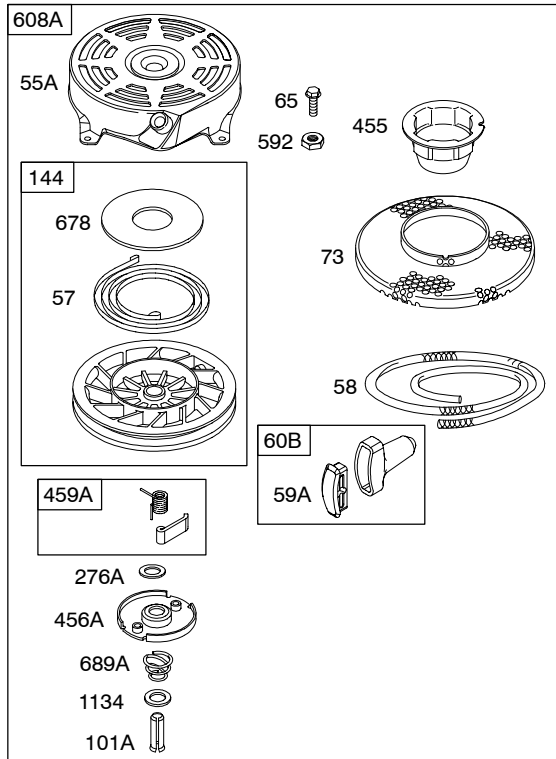


Illustrations cover a range of engines. Parts shown without corresponding text may not be used on your specific engine.
0485-4 Assemblies include all parts shown in frames. 09/20/2005

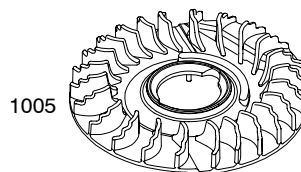


0485-5 *Illustrations cover a range of engines. Parts shown without corresponding text may not be used on your specific engine.* Assemblies include all parts shown in frames. 09/20/2005

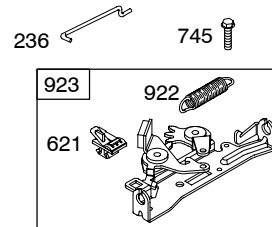
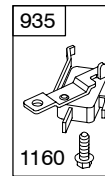
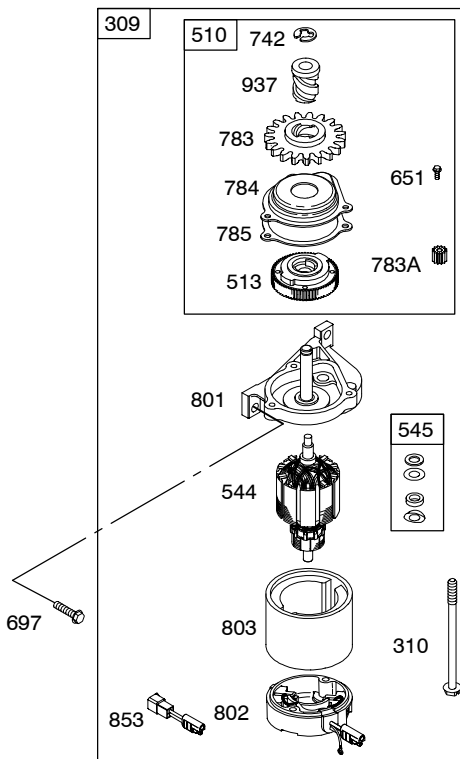
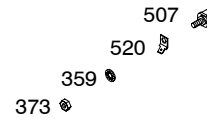
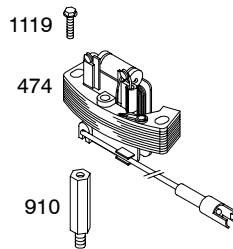
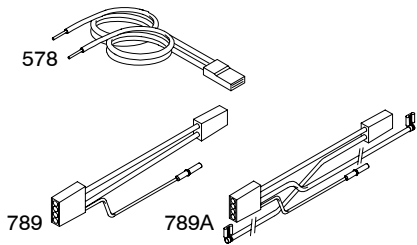
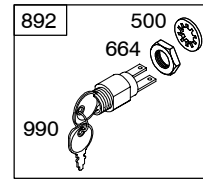
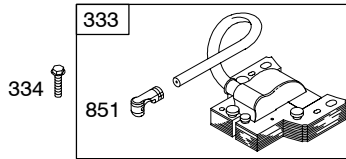
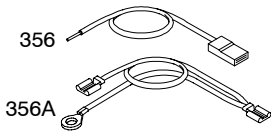
129700



1036 EMISSION LABEL



0485-6 *Illustrations cover a range of engines. Parts shown without corresponding text may not be used on your specific engine.* Assemblies include all parts shown in frames. 09/20/2005



0485-7 *Illustrations cover a range of engines. Parts shown without corresponding text may not be used on your specific engine.* Assemblies include all parts shown in frames. 09/20/2005

129700

REF. NO.	PART NO.	DESCRIPTION	REF. NO.	PART NO.	DESCRIPTION	REF. NO.	PART NO.	DESCRIPTION
1	697324	Cylinder Assembly	16	691451	Crankshaft (Used After Code Date 97011200).	20	★399781	Seal-Oil (PTO Side)
2	399269	Kit-Bushing/Seal (Magneto Side)			----- Note -----	20A	★691952	Seal-Oil (PTO Side) (Auxiliary PTO)
3	★299819	Seal-Oil (Magneto Side)			----- Note -----	22	691092	Screw (Crankcase Cover/ Sump)
4	493279	Sump-Engine			694442 Crankshaft (Used Before Code Date 97011300).	23	692315	Flywheel (Rewind Start)
4A	493365	Sump-Engine (Auxiliary PTO)			----- Note -----	23A	691987	Flywheel (Electric Start)
5	691160	Head-Cylinder (Used After Code Date 94063000).			691450 Crankshaft (Used After Code Date 97011200). Used on Type No(s). 0608, 0611, 0621, 0627, 0633, 0642, 0644, 0671, 0672, 1708, 1721, 1744, 1771, 1776.			----- Note -----
		----- Note -----			694440 Crankshaft (Used Before Code Date 97011300). Used on Type No(s). 0108, 0109, 0111, 0120, 0121, 0124, 0133, 0134, 0136, 0137, 0608, 0611, 0621, 0627, 0633, 0642, 0644, 0671, 0672.			691992 Flywheel (Electric Start) Used on Type No(s). 0123, 0128, 0150, 0623, 0628, 0643, 0645, 0650, 0651, 0673, 0674, 0675, 1773.
7	★∅692249	Gasket-Cylinder Head (Used After Code Date 94063000).			691452 Crankshaft (Used After Code Date 97011200). Used on Type No(s). 0628, 0643, 0650, 0651, 0666, 0673, 0674, 0675, 1773.	24	222698	Key-Flywheel
		----- Note -----			694059 Crankshaft (Used Before Code Date 97011300). Used on Type No(s). 0128, 0150, 0628, 0643, 0650, 0651, 0666, 0673, 0674, 0675.			
		★∅272200 Gasket-Cylinder Head (Used Before Code Date 94070100).						
8	495786	Breather Assembly						
9	★∅272481	Gasket-Breather						
10	94650	Screw (Breather Assembly)						
11	691781	Tube-Breather						
12	★692232	Gasket-Crankcase						
13	690912	Screw (Cylinder Head)						
15	691680	Plug-Oil Drain (Square Socket)						
15A	691093	Plug-Oil Drain (Hex Socket)						

★ Included in Engine Gasket Set-Ref. No.358.

● Included in Carburetor Overhaul Kit-Ref. No. 121.

◆ Included in Carburetor Gasket Set-Ref. No. 977.

∅ Included in Valve Gasket Set-Ref. No 1095.

Illustrations cover a range of engines. Parts shown without corresponding text may not be used on your specific engine.

REF. NO.	PART NO.	DESCRIPTION	REF. NO.	PART NO.	DESCRIPTION	REF. NO.	PART NO.	DESCRIPTION				
25	790358	Piston Assembly (Standard) (Used After Code Date 04031400). ----- Note ----- 499433 Piston Assembly (Standard) (Used After Code Date 97011200 and Before Code Date 04031500). 494058 Piston Assembly (Standard) (Used Before Code Date 97011300). 499434 Piston Assembly (.010" Oversize) (Used After Code Date 97011200). 494059 Piston Assembly (.010" Oversize) (Used Before Code Date 97011300). 791325 Piston Assembly (.020" Oversize) (Used After Code Date 04102100). 499435 Piston Assembly (.020" Oversize) (Used After Code Date 97011200 and Before Code Date 04102200). 494060 Piston Assembly (.020" Oversize) (Used Before Code Date 97011300). 499436 Piston Assembly (.030" Oversize) (Used After Code Date 97011200). 494061 Piston Assembly (.030" Oversize) (Used Before Code Date 97011300).	26	790360	Ring Set (Standard) (Used After Code Date 04031400). ----- Note ----- 499425 Ring Set (Standard) (Used After Code Date 97011200 and Before Code Date 04031500). 493261 Ring Set (Standard) (Used Before Code Date 97011300). 499426 Ring Set (.010" Oversize) (Used After Code Date 97011200). 493388 Ring Set (.010" Oversize) (Used Before Code Date 97011300). 791324 Ring Set (.020" Oversize) (Used After Code Date 04102100). 499427 Ring Set (.020" Oversize) (Used After Code Date 97011200 and Before Code Date 04102200). 493389 Ring Set (.020" Oversize) (Used Before Code Date 97011300). 499428 Ring Set (.030" Oversize) (Used After Code Date 97011200). 493390 Ring Set (.030" Oversize) (Used Before Code Date 97011300).	27	691866	Lock-Piston Pin (Used After Code Date 97011200). ----- Note ----- 691588 Lock-Piston Pin (Used Before Code Date 97011300). 28	499423	Pin-Piston (Standard) (Used After Code Date 97011200). ----- Note ----- 298909 Pin-Piston (Standard) (Used Before Code Date 97011300). 298908 Pin-Piston (.005" Oversize) (Used Before Code Date 97011300). 29	499424	Rod-Connecting (Standard) (Used After Code Date 97011200). ----- Note ----- 490566 Rod-Connecting (Standard) (Used Before Code Date 97011300). 490743 Rod-Connecting (.020" Undersize) (Used Before Code Date 97011300).

★ Included in Engine Gasket Set-Ref. No.358.

● Included in Carburetor Overhaul Kit-Ref. No. 121.

◆ Included in Carburetor Gasket Set-Ref. No. 977.

⊗ Included in Valve Gasket Set-Ref. No 1095.

Illustrations cover a range of engines. Parts shown without corresponding text may not be used on your specific engine.

129700

REF. NO.	PART NO.	DESCRIPTION	REF. NO.	PART NO.	DESCRIPTION	REF. NO.	PART NO.	DESCRIPTION
32	691664	Screw (Connecting Rod)	55	691421	Housing-Rewind Starter	98	398185	Kit-Idle Speed
32A	695759	Screw (Connecting Rod) (Used After Code Date 00042200).	55A	492831	Housing-Rewind Starter	98A	493280	Kit-Idle Speed
33	262651	Valve-Exhaust	57	491889	Spring-Rewind Starter	101	691623	Pin-Shaft
34	262652	Valve-Intake	58	280399	Rope-Starter (Cut To Required Length)	101A	262626	Pin-Shaft
35	691270	Spring-Valve (Intake)	59A	396892	Insert-Grip	104	●691242	Pin-Float Hinge
36	691270	Spring-Valve (Exhaust)	60	281434	Grip-Starter Rope (Pistol Grip)	108	691182	Valve-Choke
37	694086	Guard-Flywheel	60B	393152	Grip-Starter Rope (2 Piece)	109	494218	Shaft-Choke
40	692194	Retainer-Valve	65	690837	Screw (Rewind Starter)	117	494870	Jet-Main (Standard) (Used After Code Date 02092900).
43	691997	Slinger-Governor/Oil	73	691221	Screen-Rotating	----- Note -----		
45	690548	Tappet-Valve	73A	691222	Screen-Rotating	494870	Jet-Main (Standard) (Used After Code Date 95102900 and Before Code Date 96060300).	
46	691449	Camshaft (Used After Code Date 96062900).	78	691108	Screw (Flywheel Guard)	497466	Jet-Main (Standard) (Used After Code Date 94070300 and Before Code Date 95103000).	
		----- Note -----	81	691740	Lock-Muffler Screw	493637	Jet-Main (Standard) (Used Before Code Date 94070400).	
46A	691459	Camshaft (Counterclockwise) (Used After Code Date 96062900).	83	690524	Shaft-Auxiliary Drive ----- Note -----	117A	498976	Jet-Main (Standard) (Used After Code Date 96060200).
		----- Note -----			690522 Shaft-Auxiliary Drive Used on Type No(s). 0626, 0638, 0640, 1738.	----- Note -----		
		493738 Camshaft (Counterclockwise) (Used Before Code Date 96060300).	94	●493765	Kit-Idle Mixture	496063	Jet-Main (Standard) (Used Before Code Date 96060300).	
50	497465	Manifold-Intake	95	691636	Screw (Throttle Valve)			
51	★272199	Gasket-Intake	97	493267	Shaft-Throttle (Metal)			
54	691650	Screw (Intake Manifold)			696565 Shaft-Throttle (Plastic)			

★ Included in Engine Gasket Set-Ref. No.358.

● Included in Carburetor Overhaul Kit-Ref. No. 121.

◆ Included in Carburetor Gasket Set-Ref. No. 977.

⊘ Included in Valve Gasket Set-Ref. No 1095.

Illustrations cover a range of engines. Parts shown without corresponding text may not be used on your specific engine.

REF. NO.	PART NO.	DESCRIPTION	REF. NO.	PART NO.	DESCRIPTION	REF. NO.	PART NO.	DESCRIPTION
118	497315	Jet–Main (High Altitude) (Used After Code Date 02092900). ----- Note ----- 497348 Jet–Main (High Altitude) (Used After Code Date 96060200 and Before Code Date 02093000). 497315 Jet–Main (High Altitude) (Used After Code Date 95102900 and Before Code Date 96060300). 496495 Jet–Main (High Altitude) (Used After Code Date 94070300 and Before Code Date 95103000). 496063 Jet–Main (High Altitude) (Used Before Code Date 94070400).	125	698444	Carburetor (Primer System) (Used After Code Date 96060200). ----- Note ----- 498170 Carburetor (Primer System) (Used After Code Date 94070300 and Before Code Date 96060300). 496114 Carburetor (Primer System) (Used Before Code Date 94070400).	137	◆693981	Gasket–Float Bowl
			125A	498964	Carburetor (Choke System) (Used After Code Date 96060200). ----- Note ----- 497353 Carburetor (Choke System) (Used Before Code Date 96060300). 497501 Carburetor (Choke System) Used on Type No(s). 0110, 0111, 0113, 0114, 0115, 0119, 0120, 0123, 0124, 0128, 0133, 0134, 0137.	144	493824	Pulley/Spring Assembly
						146	690979	Key–Timing
						159	691753	Bracket–Air Cleaner Primer
						163★◆	272653	Gasket–Air Cleaner
						187	791766	Line–Fuel (Cut to Required Length) (Used After Code Date 05063000). ----- Note ----- 691050 Line–Fuel (Cut to Required Length) (Used Before Code Date 05070100).
118A	498977	Jet–Main (High Altitude) (Used After Code Date 96060200). ----- Note ----- 497315 Jet–Main (High Altitude) (Used Before Code Date 96060300).				187A	791873	Line–Fuel (Molded) (Used After Code Date 05063000). ----- Note ----- 691371 Line–Fuel (Molded) (Used Before Code Date 05070100).
						187B	791891	Line–Fuel (Includes Filter) (Used After Code Date 05063000). ----- Note ----- 692042 Line–Fuel (Includes Filter) (Used Before Code Date 05070100).
121	498260	Kit–Carburetor Overhaul	127	◆694468	Plug–Welch (3/8" Diameter)	188	690877	Screw (Control Bracket)
			127A	◆691739	Plug–Welch (5/16" Diameter)	190	690940	Screw (Fuel Tank)
			130	691203	Valve–Throttle ----- Note ----- 696564 Valve–Throttle (Used With Plastic Throttle Shaft)	202	691829	Link–Mechanical Governor
			130A	691181	Valve–Throttle			
			133	398187	Float–Carburetor			
			134	◆398188	Kit–Needle/Seat			

★ Included in Engine Gasket Set–Ref. No.358.

● Included in Carburetor Overhaul Kit–Ref. No. 121.

◆ Included in Carburetor Gasket Set–Ref. No. 977.

⊘ Included in Valve Gasket Set–Ref. No 1095.

Illustrations cover a range of engines. Parts shown without corresponding text may not be used on your specific engine.

129700

REF. NO.	PART NO.	DESCRIPTION	REF. NO.	PART NO.	DESCRIPTION	REF. NO.	PART NO.	DESCRIPTION
209	691851	Spring-Governor ----- Note ----- 691292 Spring-Governor Used on Type No(s). 0608, 0621, 0643, 0644, 0650, 0651, 0666, 0671, 0673, 0675, 1708, 1721, 1744, 1771, 1773, 1776. 690319 Spring-Governor Used on Type No(s). 0626, 0638, 0640, 1738.	217	690354	Spring-Choke Return	304	493294	Housing-Blower (Non Compliance) ----- Note ----- 493293 Housing-Blower (Compliance) Used on Type No(s). 0108, 0133, 0137, 0608, 0627, 0630, 0631, 0632, 0633, 0638, 0639, 0640, 0644, 0666, 1708, 1738, 1744.
209A	691276	Spring-Governor ----- Note ----- 691835 Spring-Governor Used on Type No(s). 0109, 0119, 0120, 0121, 0124, 0133, 0137, 0150, 0633, 0639. 691834 Spring-Governor Used on Type No(s). 0118, 0128, 0628, 0645. 691833 Spring-Governor. Used on Type No(s). 0110, 0111, 0113, 0114, 0115, 0130, 0611, 0641, 0674. 691275 Spring-Governor Used on Type No(s). 0134, 0136. 262661 Spring-Governor Used on Type No(s). 0108.	222	790143	Bracket-Control (Remote/Manual Friction)(Primer)	305	691108	Screw (Blower Housing)
			222A	692021	Bracket-Control (Remote Choke A Matic, Non Compliance) ----- Note ----- 690839 Bracket-Control (Manual Friction) (Choke A Matic) Used on Type No(s). 0123, 0623.	306	690450	Shield-Cylinder
			227	690783	Lever-Governor Control	307	690345	Screw (Cylinder Shield)
			236	691826	Link-Lockout	309	695550	Motor-Starter
			240	298090	Filter-Fuel	310	692327	Bolt (Starter Motor)
			265	690798	Clamp-Casing	332	690662	Nut (Flywheel)
			267	691044	Screw (Casing Clamp)	333	802574	Armature-Magneto
			268	691072	Casing-Control Wire (Cut To Required Length)	334	691061	Screw (Magneto Armature)
			269	691026	Wire-Control (Cut To Required Length)	337	802592	Plug-Spark (Resistor) ----- Note ----- 697451 Plug-Spark (EMS)
			270	691027	Nut (Control Wire Casing)	346	690661	Screw (Spark Arrestor)
			271	691028	Lever-Control	356	692390	Wire-Stop
			276 ♦ 271716		Washer-Sealing	356A	690650	Wire-Stop
			276A	280973	Washer-Sealing	357	692193	Key-Woodruff Used on Type No(s). 0623. ----- Note ----- 695867 Key-Woodruff Used on Type No(s). 0642, 0672.
			287	690940	Screw (Dipstick Tube)			
			300	496106	Muffler (Super Lo Tone Tuned)			

★ Included in Engine Gasket Set-Ref. No.358.

● Included in Carburetor Overhaul Kit-Ref. No. 121.

♦ Included in Carburetor Gasket Set-Ref. No. 977.

⊘ Included in Valve Gasket Set-Ref. No 1095.

Illustrations cover a range of engines. Parts shown without corresponding text may not be used on your specific engine.

REF. NO.	PART NO.	DESCRIPTION	REF. NO.	PART NO.	DESCRIPTION	REF. NO.	PART NO.	DESCRIPTION
358	497316	Gasket Set-Engine (Used After Code Date 94063000). ----- Note ----- 496117 Gasket Set-Engine (Used Before Code Date 94070100).	513	692358	Clutch-Drive	668	★493823	Spacer (Includes 2)
			520	691084	Terminal-Ground	670	692294	Spacer-Fuel Tank
			523	495264	Dipstick	676	396548	Deflector-Muffler (Single Louver)
			524	★692296	Seal-Dipstick Tube	676B	397931	Deflector-Muffler (Direct Out) (3/4" Diameter)
			525	495265	Tube-Dipstick	677	690661	Screw (Muffler Deflector)
			529	691923	Grommet	678	224278	Spacer-Rewind
			544	690786	Armature-Starter	684	690345	Screw (Breather Passage Cover)
			545	492919	Washer Set (Starter Motor)	689	691855	Spring-Friction
359	691077	Washer (Ground Terminal)	562	92613	Bolt (Governor Control Lever)	689A	262625	Spring-Friction
363	19069	Flywheel Puller	578	398153	Wire Assembly	697	692127	Screw (Drive Cap)
365	691688	Screw (Carburetor)	584	697734	Cover-Breather Passage	715	691147	Screw (Shaft Stop)
373	691612	Nut (Ground Terminal)	585	★691879	Gasket-Breather Passage	718	690959	Pin-Locating
374	691074	Washer (Camshaft)	592	690800	Nut (Rewind Starter)	721	690449	Stop-Shaft
383	89838	Wrench-Spark Plug	597	691696	Screw (Pawl Friction Plate)	741	790345	Gear-Timing (Use Without Woodruff Key)
404	690272	Washer (Governor Crank)	601	95162	Clamp-Hose (Green)			----- Note ----- 691830 Gear-Timing (Uses Woodruff Key)
425A	690670	Screw (Air Cleaner Cover)	601A	691038	Clamp-Hose (Black)	742	93941	Retainer-E Ring
443A	692523	Screw (Air Cleaner Primer Base)	608	497680	Starter-Rewind	743	691772	Gear-Drive
445A	491588	Filter-Air Cleaner Cartridge	608A	497598	Starter-Rewind	745	691648	Screw (Brake)
455	695161	Cup-Flywheel (Tapered Side Cup)	613	691340	Screw (Muffler)	783	691918	Gear-Pinion (Starter Drive) (19 Teeth)
455A	224250	Cup-Flywheel (Straight Side Cup)	615	690340	Retainer-Governor Shaft	783A	691269	Gear-Pinion (12 Teeth)
456	692299	Plate-Pawl Friction	616	698801	Crank-Governor	784	692341	Cover-Starter Gear
456A	224321	Plate-Pawl Friction	617	◆270344	Seal-O Ring (Intake Manifold)	785	692352	Gasket-Starter Cover
459	281505	Pawl-Ratchet	621	692310	Switch-Stop	789	690790	Harness-Wiring
459A	492833	Pawl-Ratchet	633	★◆691321	Seal-Choke/Throttle Shaft	789A	691372	Harness-Wiring
474	691991	Alternator	635	66538	Boot-Spark Plug	801	690782	Cap-Drive
500	691086	Washer (Key Switch)	651	691660	Screw (Starter Gear Cover)			
505	691251	Nut (Governor Control Lever)	664	691087	Nut (Key Switch)			
507	691972	Insulator						
510	494147	Drive-Starter						

★ Included in Engine Gasket Set-Ref. No.358.

● Included in Carburetor Overhaul Kit-Ref. No. 121.

◆ Included in Carburetor Gasket Set-Ref. No. 977.

⊘ Included in Valve Gasket Set-Ref. No 1095.

Illustrations cover a range of engines. Parts shown without corresponding text may not be used on your specific engine.

129700

REF. NO.	PART NO.	DESCRIPTION	REF. NO.	PART NO.	DESCRIPTION	REF. NO.	PART NO.	DESCRIPTION
802	695267	Cap-End (Used After Code Date 00040600). ----- Note ----- 695975 Cap-End (Used Before Code Date 00040700).	883	★∅691881	Gasket-Exhaust	1036		Label-Emission (Available From An Authorized Briggs & Stratton Sevice Dealer)
803	695266	Housing-Starter (Used After Code Date 00040600). ----- Note ----- 695975 Housing-Starter (Used Before Code Date 00040700).	892	690646	Switch-Key	1040	281252	Plate-Trim ----- Note ----- 281172 Plate-Trim Used on Type No(s). 0113, 0114, 0115, 0119, 0120, 0124, 0130, 0133, 0134, 0136, 0137, 0613, 0614, 0615, 0627, 0630, 0631, 0632, 0633, 0639, 0640, 0641, 0644, 0645, 0671, 0672.
832	499034	Guard-Muffler (Super Lo Tone Tuned)	910	691094	Stud (Alternator)			
836	690664	Screw (Muffler Guard)	922	691831	Spring-Brake			
842	★691031	Seal-O Ring (Dipstick Tube)	923	691994	Brake			
843	691884	Sleeve-Lever (Speed Control)	930	691919	Guard-Rewind (Round) (Black)			
847	692017	Dipstick/Tube Assembly	930C	690598	Guard-Rewind (Trim Ring) (Black)			
851	493880	Terminal-Spark Plug	935	499421	Switch-Interlock			
853	695268	Adapter-Wire	937	691325	Spline-Starter			
869	691155	Seat-Valve (Intake)	957	397974	Cap-Fuel Tank (Plastic)			
870	690380	Seat-Valve (Exhaust)	958	698183	Valve-Fuel Shut Off (Plastic)	1058	276171	Manual-Owner's
871	262001	Bushing-Valve Guide (Exhaust) ----- Note ----- 63709 Bushing-Valve Guide (Intake)	966A	496116	Base-Air Cleaner Primer	1059	692311	Kit-Screw/Washer
			967A	493537	Filter-Pre Cleaner	1095	498528	Gasket Set-Valve
			968B	692298	Cover-Air Cleaner	1119	691648	Screw (Alternator)
			970	691669	Screw (Air Cleaner Primer Bracket)	1134	224322	Washer (Pawl Friction Plate)
			972	699392	Tank-Fuel (Plastic)	1160	691627	Screw (Interlock Switch)
			975	493640	Bowl-Float	1210	498144	Pulley/Spring Assembly (Pulley)
			976	694395	Primer-Carburetor	1211	498144	Pulley/Spring Assembly (Spring)
			977	498261	Gasket Set-Carburetor	1330	270962	Manual-Repair
			990	691959	Key Set			
			994	398067	Arrestor-Spark			
			1005	691346	Fan-Label			
			1019	494256	Kit-Flywheel			

★ Included in Engine Gasket Set-Ref. No.358.

● Included in Carburetor Overhaul Kit-Ref. No. 121.

◆ Included in Carburetor Gasket Set-Ref. No. 977.

∅ Included in Valve Gasket Set-Ref. No 1095.

Illustrations cover a range of engines. Parts shown without corresponding text may not be used on your specific engine.