

# Illustrated Parts List

## Model Series

# 128400

TYPE NUMBERS  
0035 through 0132.

For Use On Engines Built Before Date Code – 01091100

### TABLE OF CONTENTS

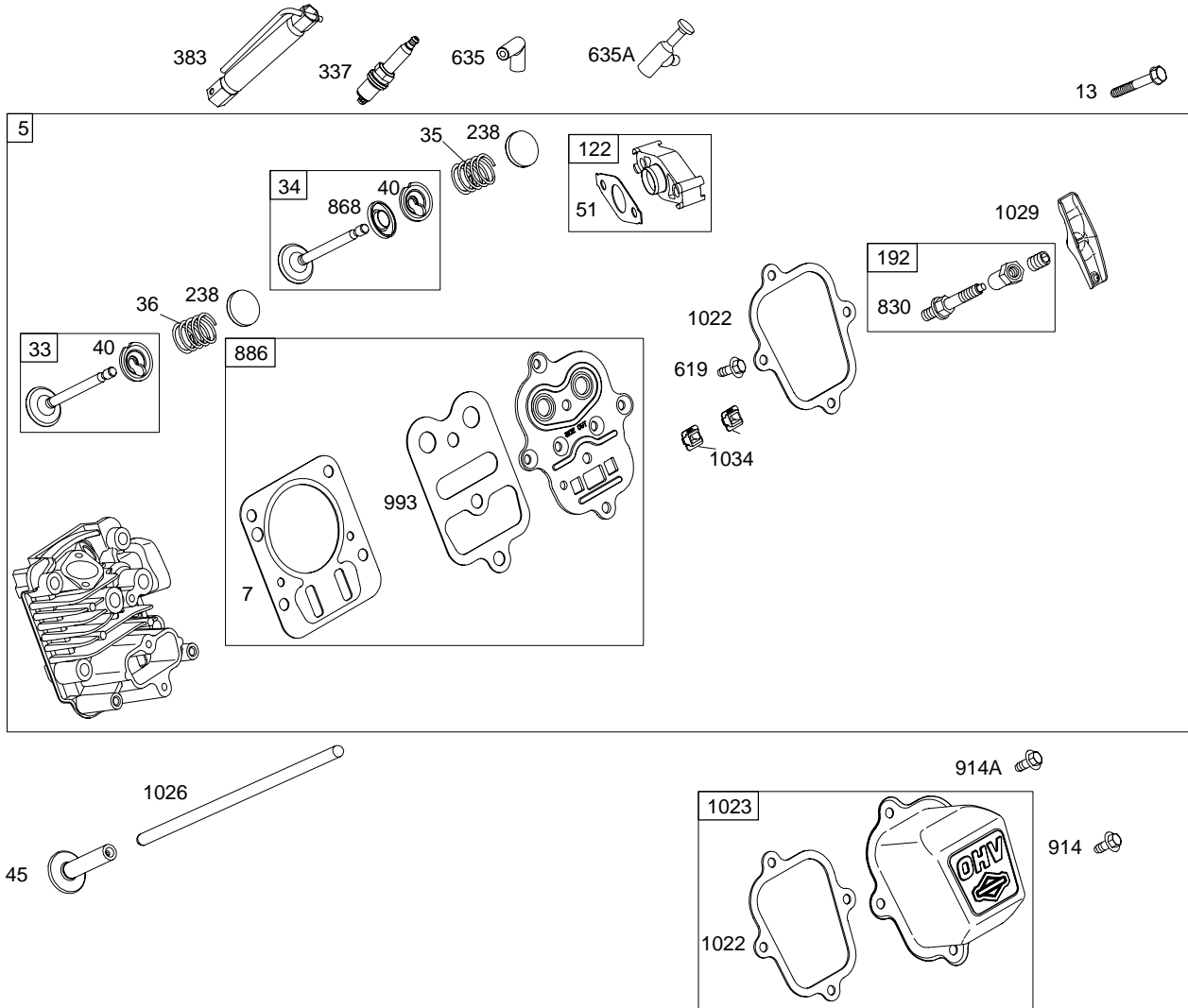
Air Cleaner .....	6
Blower Housing/Shrouds .....	7
Cams .....	2
Carburetor .....	4
Controls .....	5
Crankcase Cover/Sump .....	2
Crankshaft .....	2
Cylinder .....	2
Electric Starter .....	8
Flywheel .....	7
Fuel Tank .....	4
Gear Reducer .....	8
Governor Spring .....	5
Head .....	3
Ignition .....	5
Kits/Gaskets – Carburetor .....	9
Kits/Gaskets – Engine .....	9
Muffler .....	6
Oil .....	8
Piston Group .....	2
Rewind .....	7
Valves .....	3

PRINTED IN U.S.A.



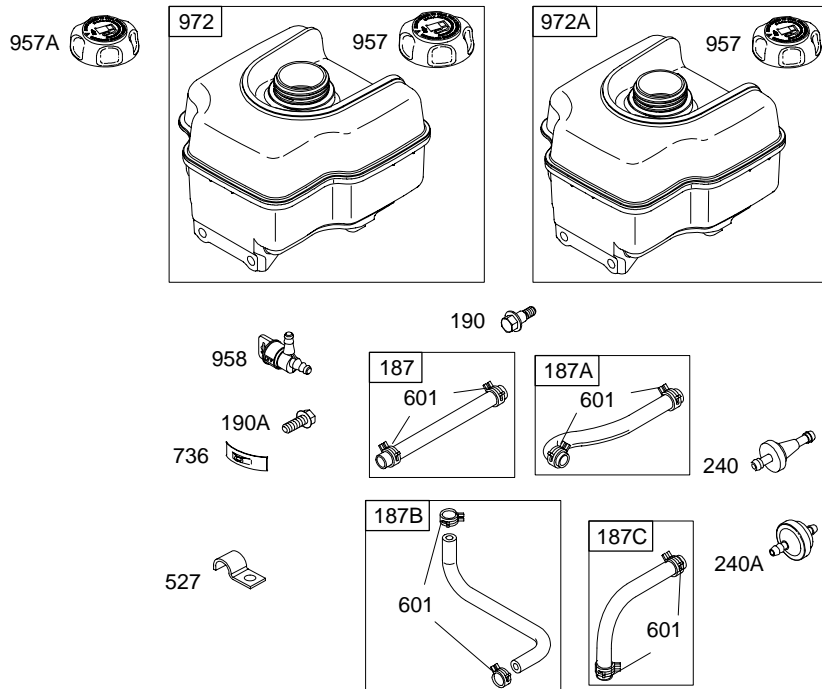
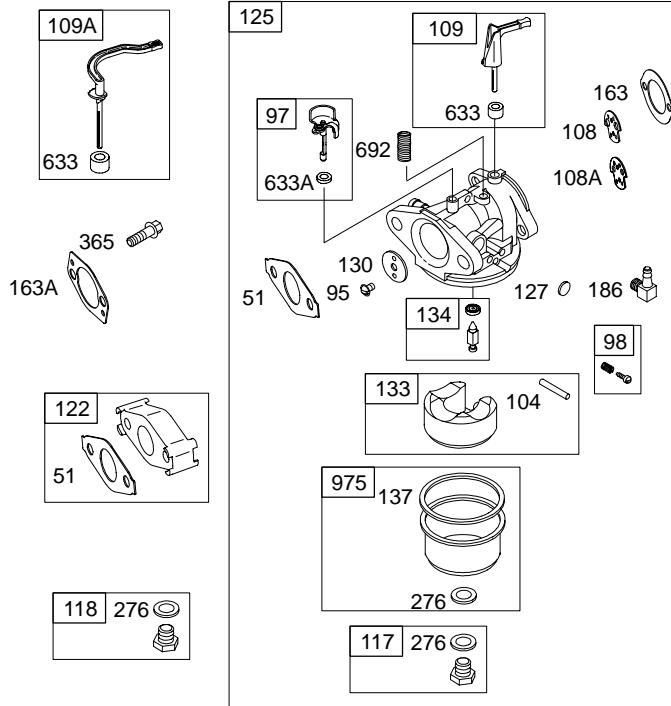
COPYRIGHT by BRIGGS & STRATTON CORPORATION  
 All rights reserved. No part of this material may be reproduced or transmitted,  
 in any form or by any means, electronic or mechanical, including photocopying,  
 recording or by any information storage and retrieval system, without permission  
 in writing from Briggs & Stratton Corporation.



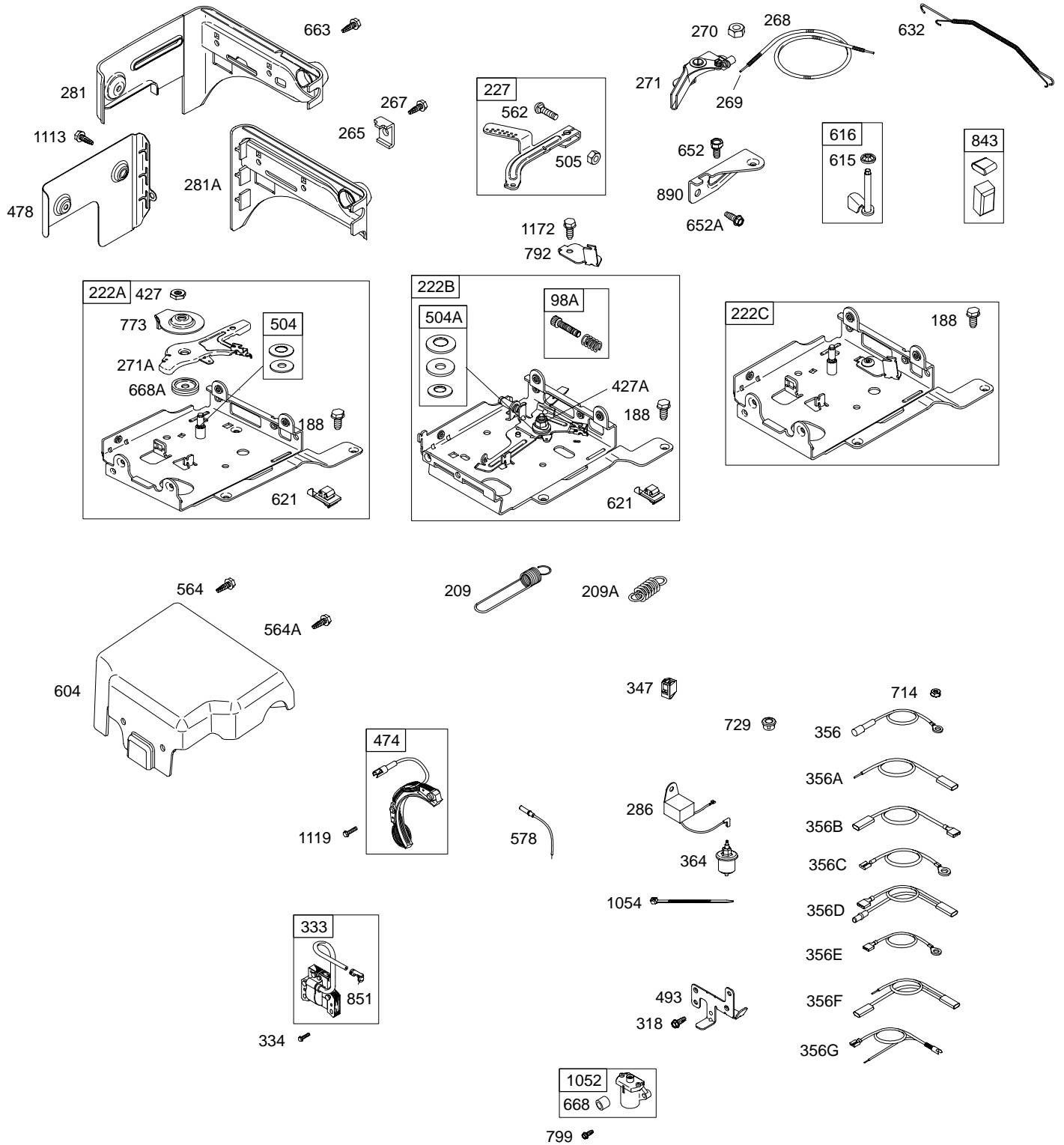


Illustrations cover a range of engines. Parts shown without corresponding text may not be used on your specific engine.  
 5041-3 Assemblies include all parts shown in frames. 4C-10/2001

# 128400

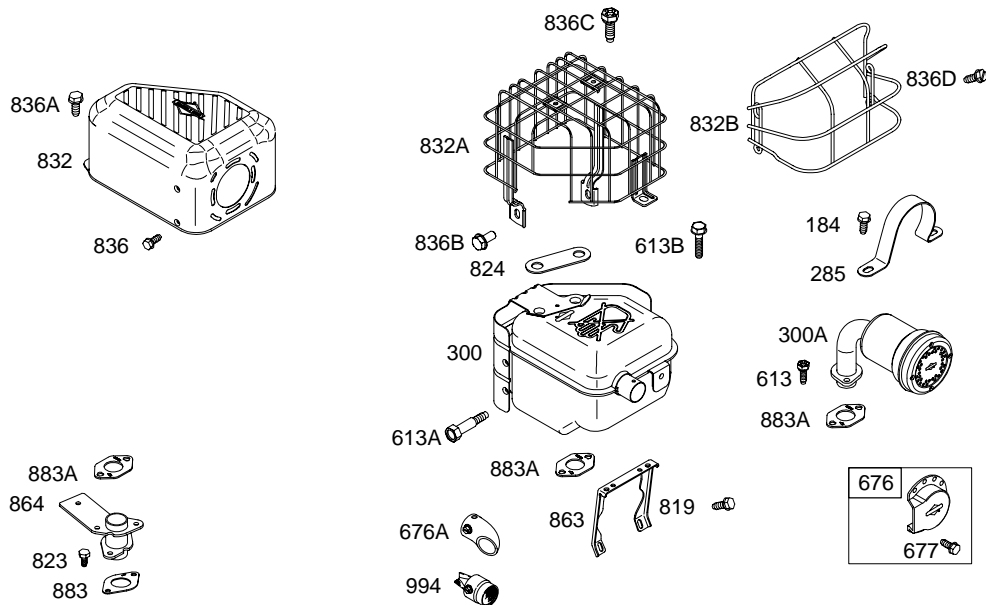
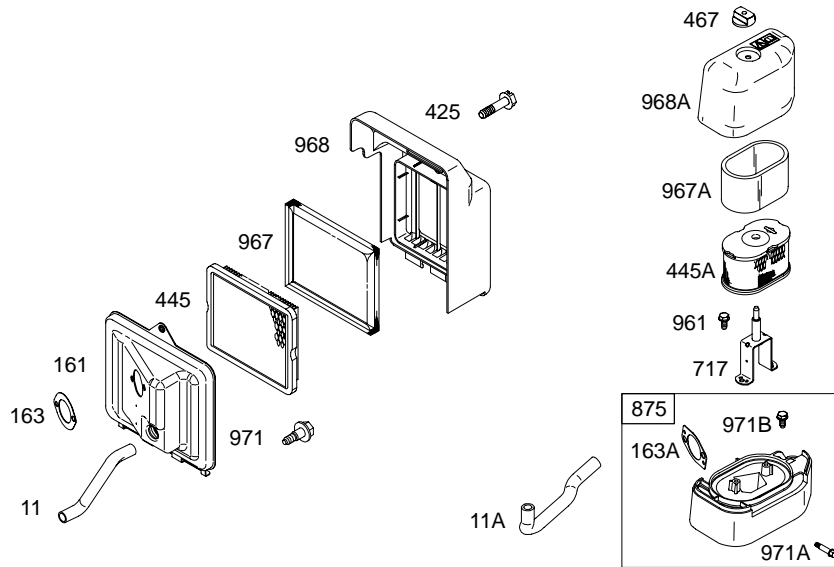


Illustrations cover a range of engines. Parts shown without corresponding text may not be used on your specific engine.  
 5041-4 Assemblies include all parts shown in frames. 4C-10/2001

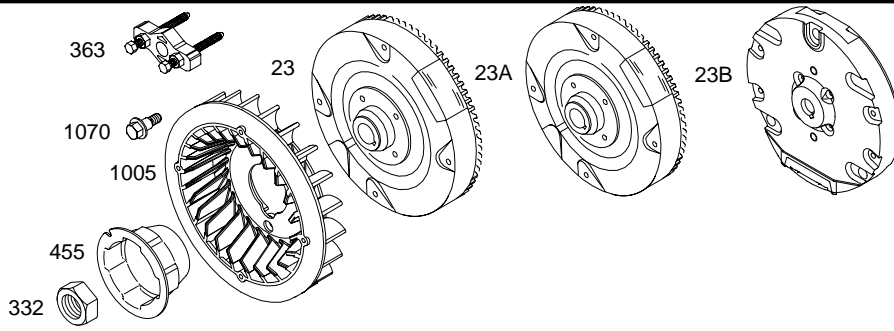


Illustrations cover a range of engines. Parts shown without corresponding text may not be used on your specific engine.  
 5041-5 Assemblies include all parts shown in frames. 4C-10/2001

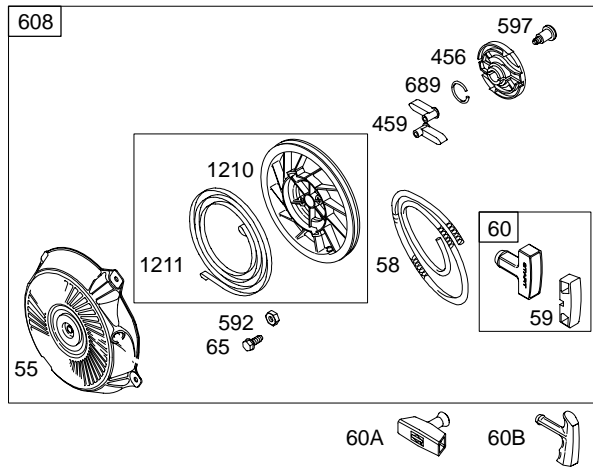
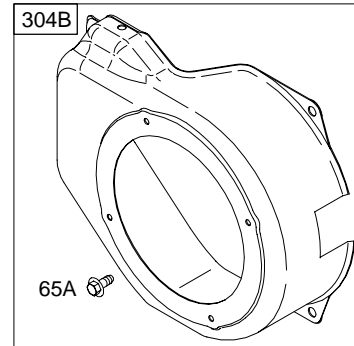
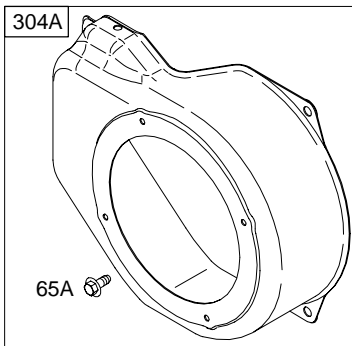
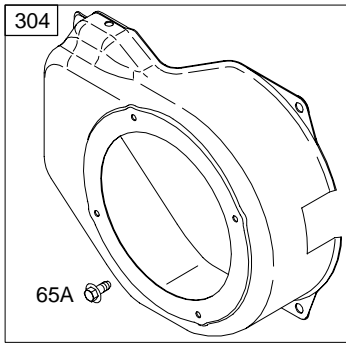
# 128400



Illustrations cover a range of engines. Parts shown without corresponding text may not be used on your specific engine.  
 5041-6 Assemblies include all parts shown in frames. 4C-10/2001

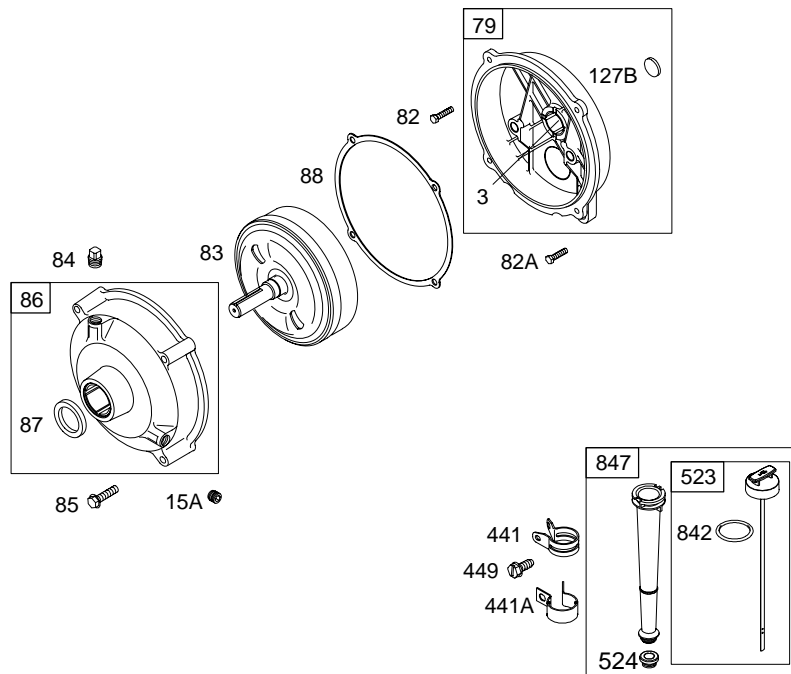
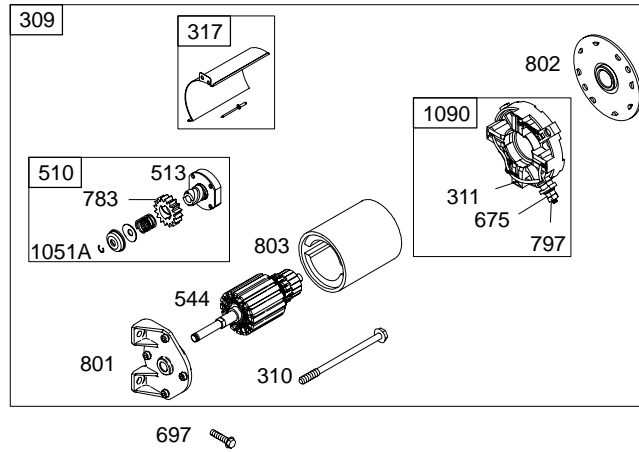


1036 EMISSION LABEL



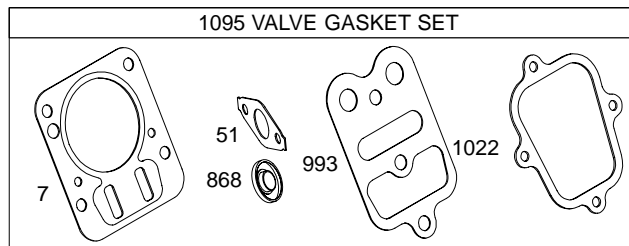
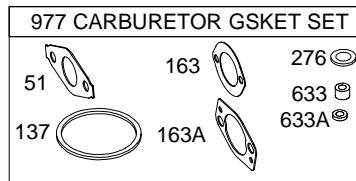
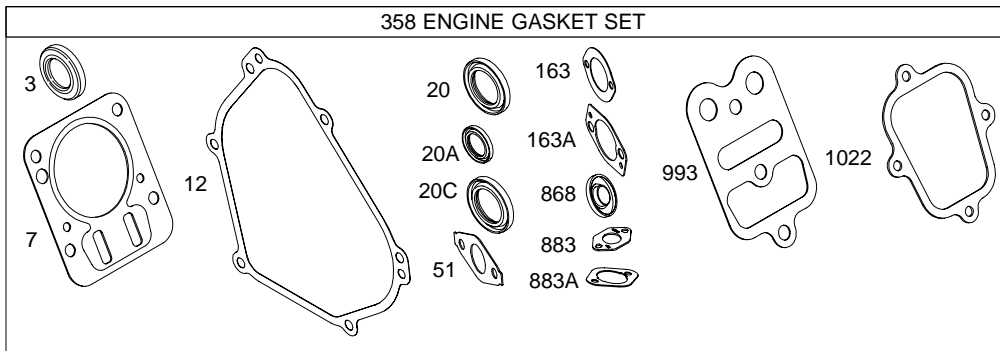
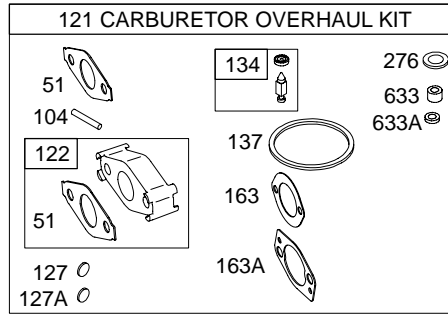
Illustrations cover a range of engines. Parts shown without corresponding text may not be used on your specific engine.  
 5041-7 Assemblies include all parts shown in frames. 4C-10/2001

# 128400



Illustrations cover a range of engines. Parts shown without corresponding text may not be used on your specific engine.  
 5041-8 Assemblies include all parts shown in frames. 4C-10/2001





*Illustrations cover a range of engines. Parts shown without corresponding text may not be used on your specific engine.*

# 128400

REF. NO.	PART NO.	DESCRIPTION	REF. NO.	PART NO.	DESCRIPTION	REF. NO.	PART NO.	DESCRIPTION
1	690045	Cylinder Assembly	25	499627	Piston Assembly (Standard)	58	693389	Rope-Starter (Cut To Required Length)
2	399269	Kit-Bushing/Seal			<b>Note</b>	59	805957	Insert-Grip
3	★299819	Seal-Oil (Magneto Side)			692788	692788	692788	Piston Assembly (.010" Oversize)
5	693643	Head-Cylinder			692789	692789	692789	Piston Assembly (.020" Oversize)
7	★∅695166	Gasket-Cylinder Head			692790	692790	692790	Piston Assembly (.030" Oversize)
11A	693647	Tube-Breather (High Mount Air Cleaner)	26	499631	Ring Set (Standard)	65	690837	Screw (Rewind Starter)
12	★692549	Gasket-Crankcase			<b>Note</b>	65A	692608	Screw (Rewind Starter)
13	691137	Screw (Cylinder Head)			692785	692785	692785	Ring Set (.010" Oversize)
15	691686	Plug-Oil Drain (Square Head)			692786	692786	692786	Ring Set (.020" Oversize)
15A	691682	Plug-Oil Drain (Flush)			692787	692787	692787	Ring Set (.030" Oversize)
16	693403	Crankshaft	27	691866	Lock-Piston Pin	67A	691122	Screw (Gear Reduction Case) (1 1/2" Long)
		<b>Note</b>	28	499423	Pin-Piston	83	690374	Shaft-Auxillary Drive
		693594	29	690124	Rod-Connecting	84	691121	Plug-Breather (Gear Reduction)
		Used on Type No(s). 0035.	30	692562	Dipper-Connecting Rod	85	692551	Screw (Gear Cover To Gear Reduction Case)
		694439	32	691664	Screw (Connecting Rod)	86	690608	Cover-Gear
		Used on Type No(s). 0049.	32A	695759	Screw (Connecting Rod)	87	691582	Seal-Gear Reduction
17	692517	Bearing-Ball	33	499642	Valve-Exhaust	88	691600	Gasket-Gear Reduction Cover
18	693605	Cover-Crankcase Used on Type No(s). 0035, 0036, 0116, 0132.	34	499641	Valve-Intake	95	691636	Screw (Throttle Valve)
18A	693204	Cover-Crankcase Used on Type No(s). 0049.	35	691304	Spring-Valve (Intake)	97	690024	Shaft-Throttle
20	★692550	Seal-Oil (PTO Side)	36	691304	Spring-Valve (Exhaust)	98	398185	Kit-Idle Speed (Carburetor)
21	281658	Cap-Oil Fill	40	692194	Retainer-Valve	104	●691242	Pin-Float Hinge
22	692551	Screw (Crankcase Cover/Sump)	45	690977	Tappet-Valve	108	692567	Valve-Choke
23B	692987	Flywheel (Used With Rewind Starter Only)	46	693404	Camshaft	109A	693628	Shaft-Choke
24	222698	Key-Flywheel	51	★♦∅692555	Gasket-Intake (2 Required)	117	498978	Jet-Main (Standard)
			55	691422	Housing-Rewind Starter	118	497466	Jet-Main (High Altitude)
						121	695157	Kit-Carburetor Overhaul
						122	●693749	Spacer-Carburetor
						125	697028	Carburetor
						127	●691739	Plug-Welch (5/16" Diameter)
						127B	691585	Plug-Welch (7/8" Diameter)

★ Included in Engine Gasket Set-Ref. No.358.

● Included in Carburetor Overhaul Kit-Ref. No. 121.

♦ Included in Carburetor Gasket Set-Ref. No. 977.

∅ Included in Valve Gasket Set-Ref. No 1095.

*Illustrations cover a range of engines. Parts shown without corresponding text may not be used on your specific engine.*

REF. NO.	PART NO.	DESCRIPTION	REF. NO.	PART NO.	DESCRIPTION	REF. NO.	PART NO.	DESCRIPTION
130	691181	Valve-Throttle	269	691026	Wire-Control (Cut To Required Length)	356C	695630	Wire-Stop (1 Wire, 6-1/2" Long)(Push-On Female Blade Terminal, And Ring Terminal)
133	398187	Float-Carburetor	270	691027	Nut (Control Wire Casing)	358	695155	Gasket Set-Engine
134	●398188	Kit-Needle/Seat	271	691028	Lever-Control	363	19069	Flywheel Puller
137	●◆693981	Gasket-Float Bowl	271A	694256	Lever-Control (Control Bracket)	364	695693	Terminal-Oil Plug
146	690979	Key-Timing	276	◆271716	Washer-Sealing	365	692568	Screw (Carburetor)
163A	★◆696979	Gasket-Air Cleaner (High Mount Air Cleaner)	281	694252	Panel-Control	383	19374	Wrench-Sparkplug
186	692317	Connector-Hose	286	696784	Module-Oil Sensor	415	693463	Plug (Crankcase Cover)
187	691050	Line-Fuel (Cut To Required Length)	300	694429	Muffler (Super Lo Tone)	427	694255	Nut (Control Bracket)
187A	694489	Line-Fuel (Molded)	304A	693621	Housing-Blower (Rewind In 1:30 Position)	441	694262	Bracket-Oil Fill
188	690877	Screw (Control Bracket)	305	690960	Screw (Blower Housing)	445A	697029	Filter-Air Cleaner Cartridge (High Mount)
190	692127	Screw (Fuel Tank)	306	693610	Shield-Cylinder	449	691693	Screw (Oil Fill Bracket)
192	694543	Adjustor-Rocker Arm	307	690345	Screw (Cylinder Shield)	455	692591	Cup-Flywheel
209	692571	Spring-Governor (Silver)	318	693609	Screw (Mounting Bracket)	456	692299	Plate-Pawl Friction
		<b>Note</b>	332	690662	Nut (Flywheel)	459	281505	Pawl-Ratchet
		693206 Spring-Governor (Yellow) Used on Type No(s). 0035.	333	695711	Armature-Magneto	467	691668	Knob-Air Cleaner
		693710 Spring-Governor (Black) Used on Type No(s). 0132.	334	691061	Screw (Magneto Armature)	493	693599	Bracket-Mounting (Oil Sensor)
209A	691278	Spring-Governor	337	491055	Plug-Spark	504	694254	Washer Set-Friction
219	693578	Gear-Governor	347	696213	Switch-Rocker (Without Light)	505	691251	Nut (Governor Control Lever)
220	691724	Washer (Governor Gear)	356	693650	Wire-Stop (1 Wire, 17" Long) (Snap Connect Insulated Female Blade Terminal, And Ring Terminal)	523	693618	Dipstick
222A	694253	Bracket-Control	356B	692602	Wire-Stop (1 Wire, 14" Long) (Snap Connect Insulated Female Blade Terminal, Insulated Push-On Female Blade Terminal)	524	281370	Seal-Dipstick Tube
227	692573	Lever-Governor Control				552	692346	Bushing-Governor Crank
238	691300	Cap-Valve				562	691112	Bolt (Governor Control Lever)
265	691024	Clamp-Casing				592	690800	Nut (Rewind Starter)
267	692577	Screw (Casing Clamp)				597	691696	Screw (Pawl Friction Plate)
268	691025	Casing-Control Wire (Cut To Required Length)				598	220624	Shim-End Play
						601	95162	Clamp-Hose
						608	693394	Starter-Rewind

★ Included in Engine Gasket Set-Ref. No.358.

● Included in Carburetor Overhaul Kit-Ref. No. 121.

◆ Included in Carburetor Gasket Set-Ref. No. 977.

⊘ Included in Valve Gasket Set-Ref. No 1095.

*Illustrations cover a range of engines. Parts shown without corresponding text may not be used on your specific engine.*

# 128400

REF. NO.	PART NO.	DESCRIPTION	REF. NO.	PART NO.	DESCRIPTION	REF. NO.	PART NO.	DESCRIPTION
613A	694460	Screw (Muffler) (Shoulder Screw)	819	691685	Screw (Muffler Bracket)	968A	693460	Cover–Air Cleaner (High Mount Air Cleaner)
613B	691108	Screw (Muffler)	823	691665	Screw (Muffler Adapter)	971A	690349	Screw (Air Cleaner Base To Carburetor)
615	692576	Retainer–Governor Shaft	824	696017	Gasket–Heat shield			(High Mount Air Cleaner)
616	692547	Crank–Governor	830	694544	Stud (Rocker Arm)	971B	691693	Screw (Air Cleaner Base To Carburetor)
619	691108	Screw (Cylinder Head Plate)	832A	694459	Guard–Muffler			(High Mount Air Cleaner)
621	692310	Switch–Stop	836B	691665	Screw (Muffler Guard)			
632	693408	Spring/Link– Mechanical Governor	836C	691003	Screw (Muffler Guard)			
633	◆693867	Seal–Choke/Throttle Shaft	842	691031	Seal–O Ring (Dipstick Tube)	972	694260	Tank–Fuel
633A	◆691321	Seal–Choke/Throttle Shaft	847	693617	Dipstick/Tube Assembly	975	493640	Bowl–Float
635A	692927	Boot–Sparkplug	851	493880	Terminal–Sparkplug	977	695156	Gasket Set–Carburetor
663	694593	Screw (Control Panel)	863	692596	Bracket–Muffler	993	★∅694088	Gasket–Cylinder Head Plate
668	693604	Spacer (Oil Sensor)	864	694430	Adapter–Muffler	1005	692592	Fan–Flywheel
668A	694257	Spacer (Control Bracket)	868	★∅692044	Seal–Valve	1019	694852	Kit–Label
689	691855	Spring–Friction (Rewind Starter)	875	697030	Base–Air Cleaner	1022	★∅691890	Gasket–Rocker Cover
692	690572	Spring–Detent (Carburetor)	883	692237	Gasket–Exhaust (Adapter To Muffler)	1023	499924	Cover–Rocker Arm
717	693462	Bracket–Air Cleaner	883A	691893	Gasket–Exhaust (Adapter To Cylinder)	1026	693517	Rod–Push
718	690959	Pin–Locating	886	696268	Gasket Kit–Cylinder Head/Plate	1029	691230	Arm–Rocker
741	695087	Gear–Timing	914	692198	Screw (Rocker Cover) (7/16" Long)	1034	691343	Guide–Push Rod
742	692564	Retainer–E Ring (Idle Gear)	914A	692557	Screw (Rocker Cover) (3/8" Long)	1036	697004	Label–Emission
746	692566	Gear–Idle	957	694261	Cap–Fuel Tank	1052	696954	Sensor–Oil
773	694258	Retainer (Control Bracket)	958	692586	Valve–Fuel Shut Off	1058	275092	Owner's Manual (Emission Engines)
799	693609	Screw (Oil Sensor)	961	693598	Screw (Air Cleaner Bracket)	1070	692590	Screw (Flywheel Fan)
			967A	273356	Filter–Pre Cleaner (High Mount Air Cleaner)	1095	695289	Gasket Set–Valve
						1210	498144	Pulley/Spring Assembly (Pulley)
						1211	498144	Pulley/Spring Assembly (Spring)

★ Included in Engine Gasket Set–Ref. No.358.

● Included in Carburetor Overhaul Kit–Ref. No. 121.

◆ Included in Carburetor Gasket Set–Ref. No. 977.

∅ Included in Valve Gasket Set–Ref. No 1095.

*Illustrations cover a range of engines. Parts shown without corresponding text may not be used on your specific engine.*