

# Illustrated Parts List

## Model Series

# 127400

TYPE NUMBERS  
0036 through 0156.

For Use On Engines Built Before Date Code – 01091200

### TABLE OF CONTENTS

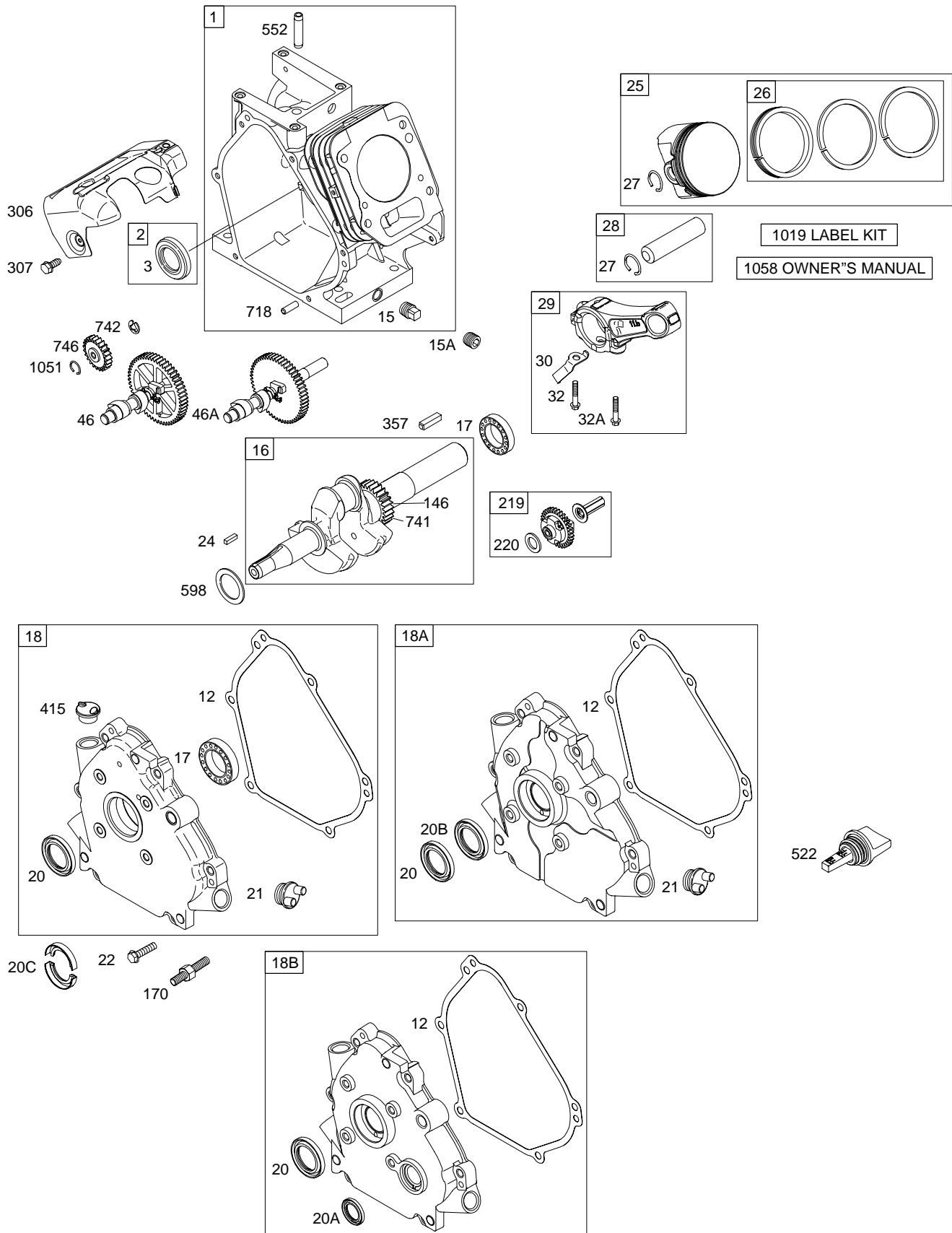
Air Cleaner .....	6
Blower Housing/Shrouds .....	7
Cams .....	2
Carburetor .....	4
Controls .....	5
Crankcase Cover/Sump .....	2
Crankshaft .....	2
Cylinder .....	2
Electric Starter .....	8
Flywheel .....	7
Fuel Tank .....	4
Gear Reducer .....	8
Governor Spring .....	5
Head .....	3
Ignition .....	5
Kits/Gaskets – Carburetor .....	9
Kits/Gaskets – Engine .....	9
Muffler .....	6
Oil .....	8
Piston Group .....	2
Rewind .....	7
Valves .....	3

PRINTED IN U.S.A.

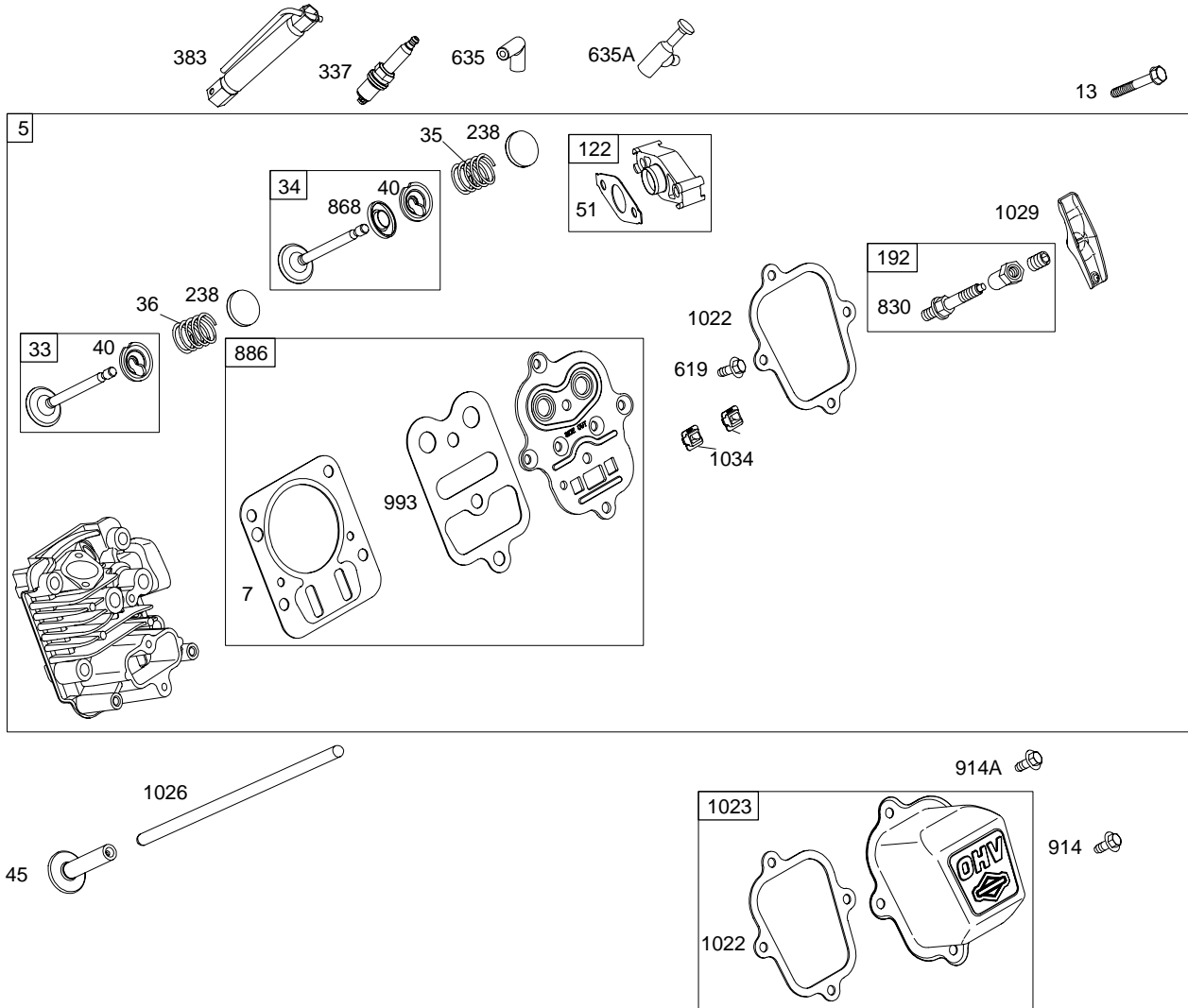


COPYRIGHT by BRIGGS & STRATTON CORPORATION  
 All rights reserved. No part of this material may be reproduced or transmitted, in any form or by any means, electronic or mechanical, including photocopying, recording or by any information storage and retrieval system, without permission in writing from Briggs & Stratton Corporation.

# 127400

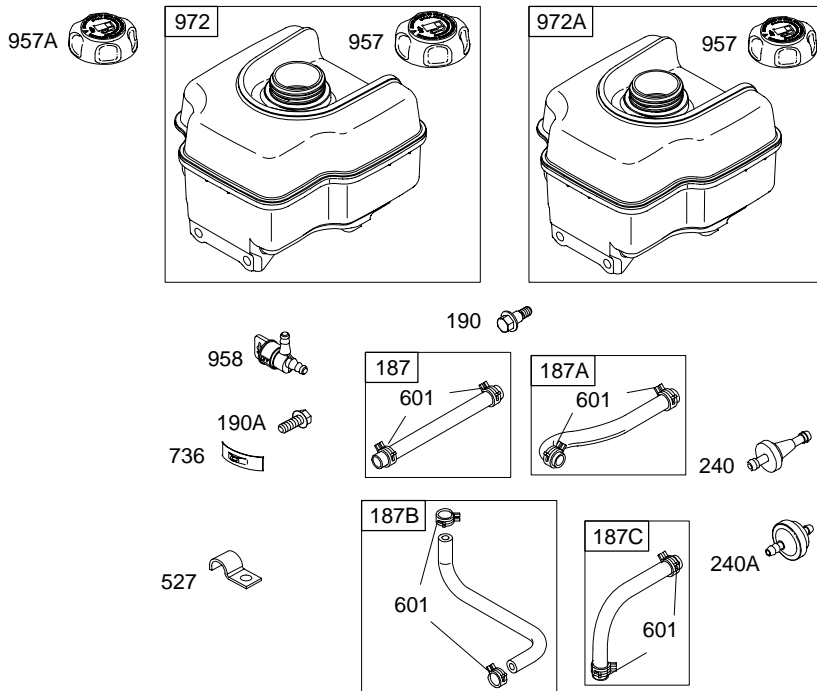
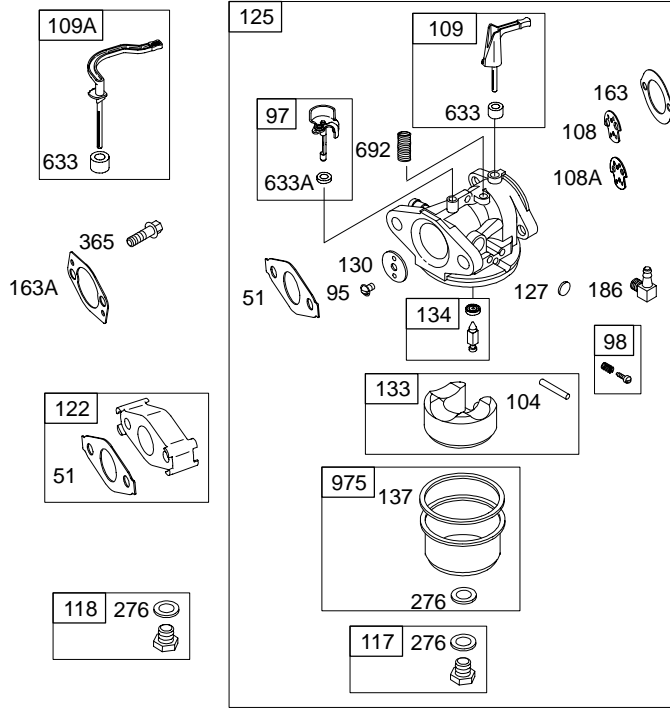


Illustrations cover a range of engines. Parts shown without corresponding text may not be used on your specific engine.  
6818-2 Assemblies include all parts shown in frames. 4C-10/2001

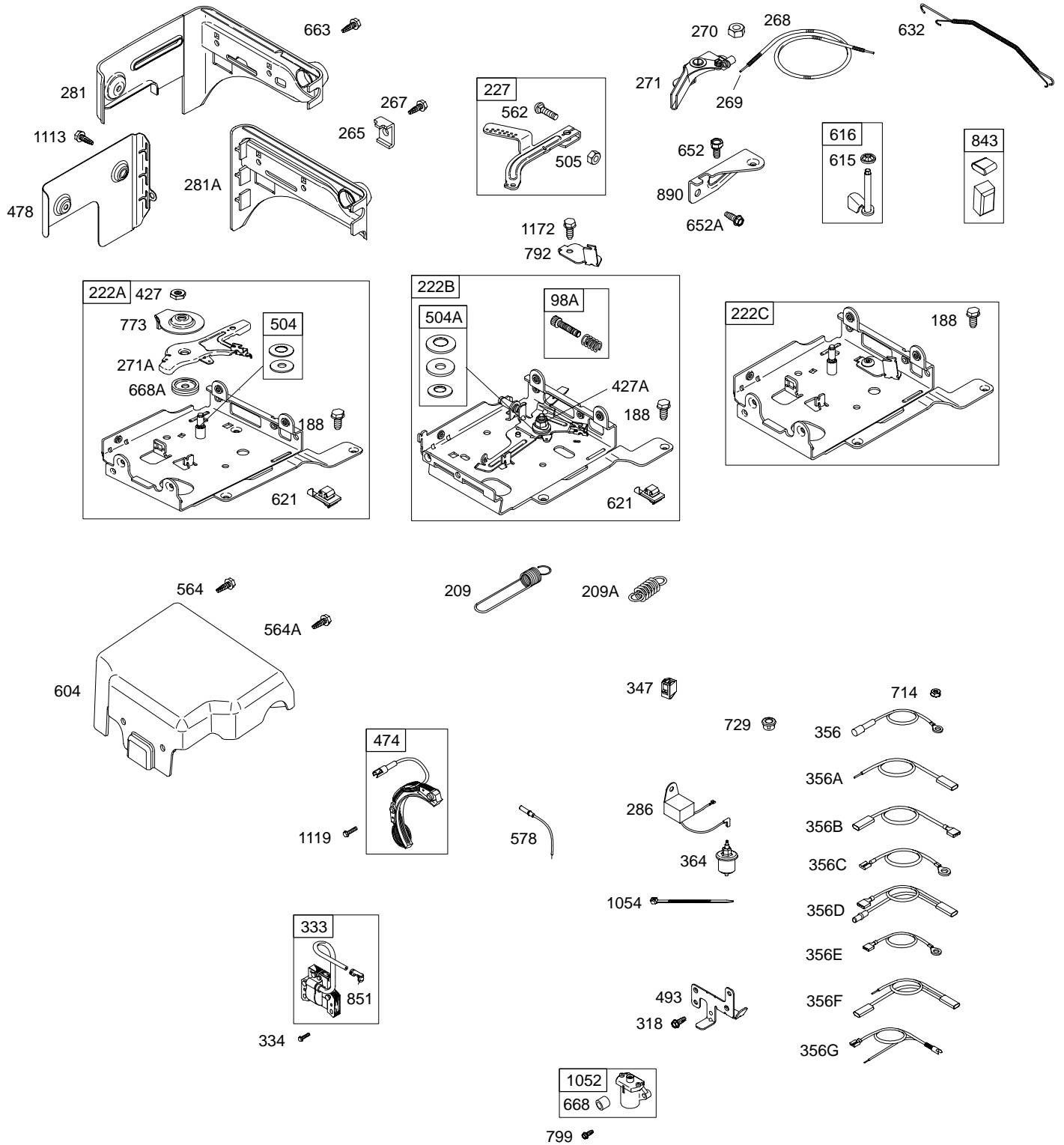


Illustrations cover a range of engines. Parts shown without corresponding text may not be used on your specific engine.  
6818-3 Assemblies include all parts shown in frames. 4C-10/2001

# 127400

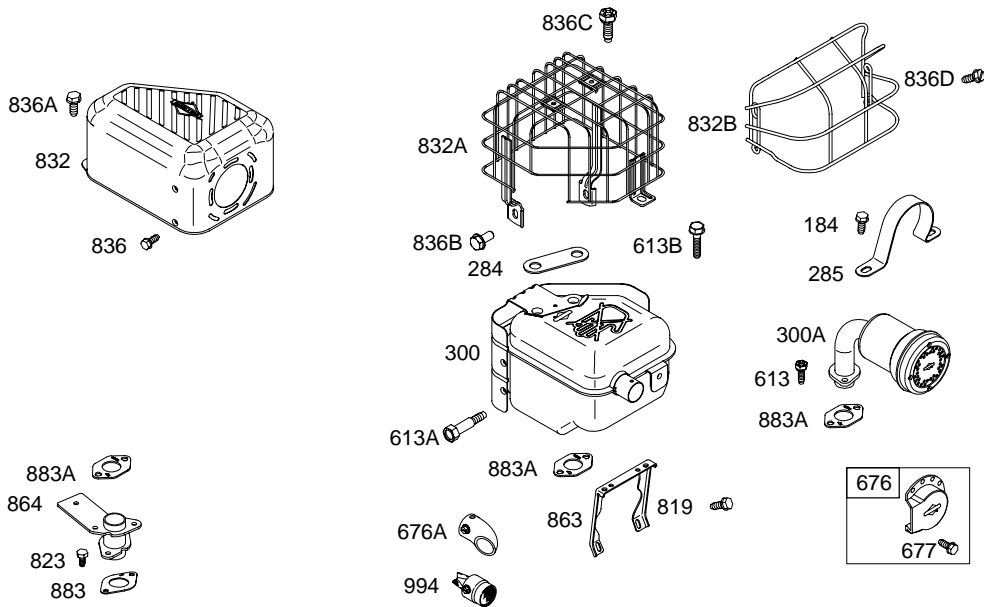
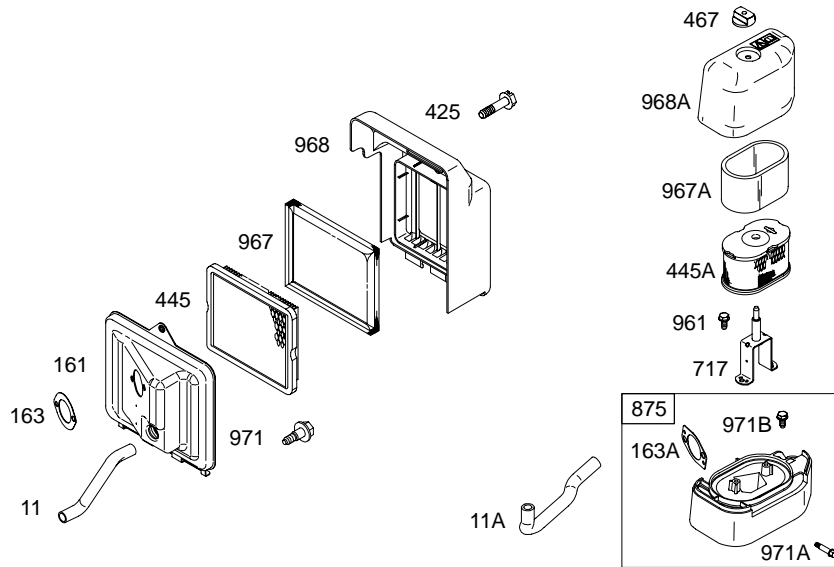


Illustrations cover a range of engines. Parts shown without corresponding text may not be used on your specific engine.  
 6818-4 Assemblies include all parts shown in frames. 4C-10/2001

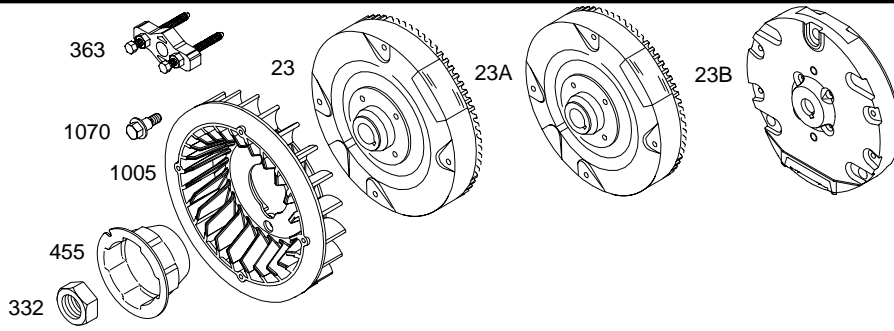


Illustrations cover a range of engines. Parts shown without corresponding text may not be used on your specific engine. 6818-5 Assemblies include all parts shown in frames. 4C-10/2001

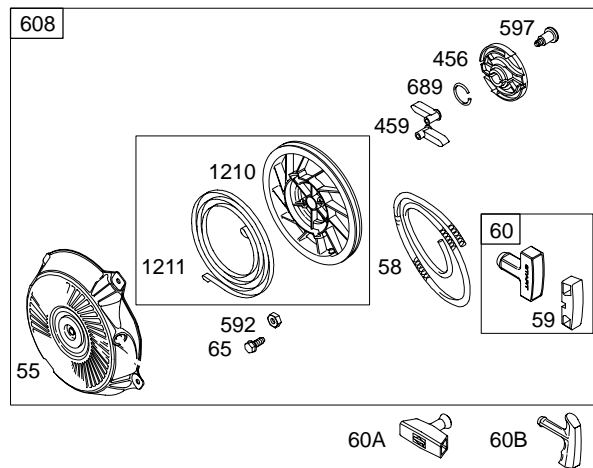
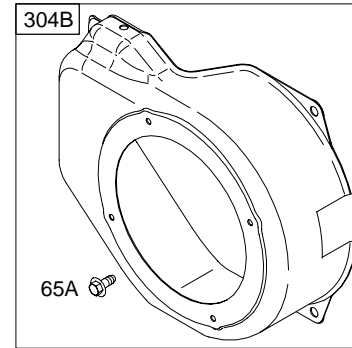
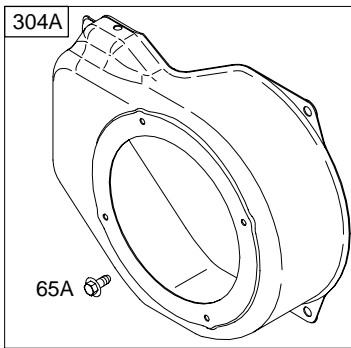
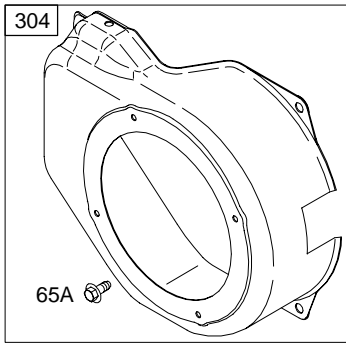
# 127400



Illustrations cover a range of engines. Parts shown without corresponding text may not be used on your specific engine.  
 6818-6 Assemblies include all parts shown in frames. 4C-10/2001

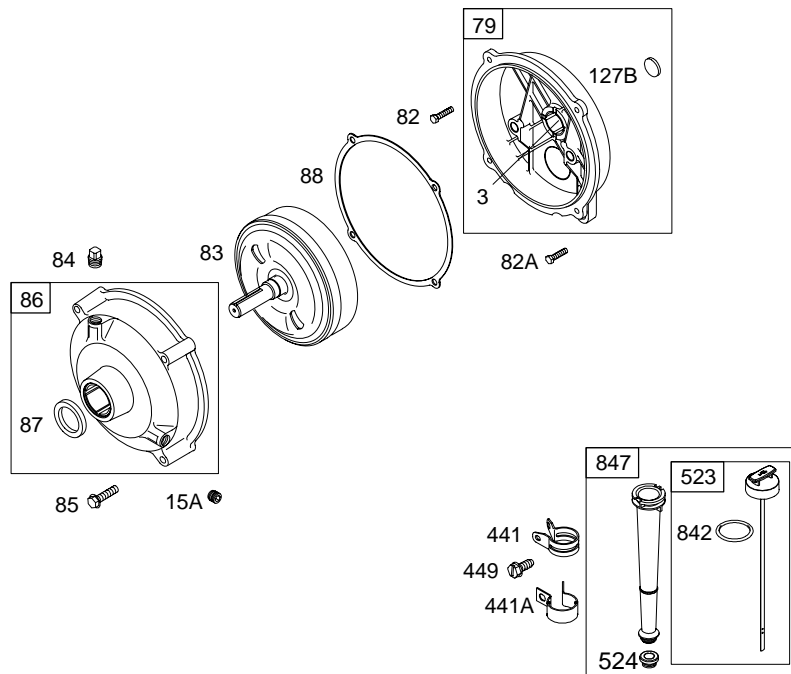
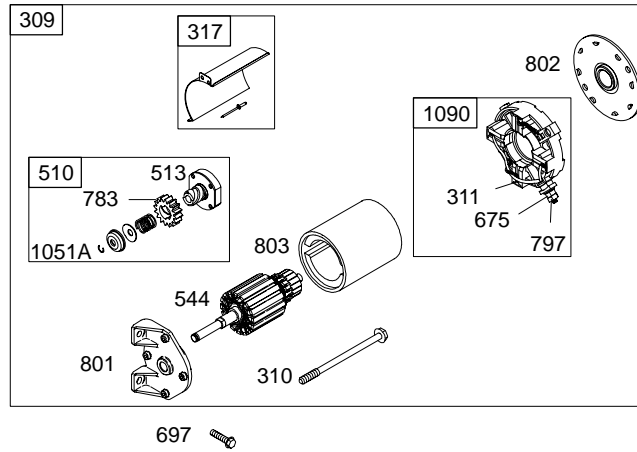


1036 EMISSION LABEL



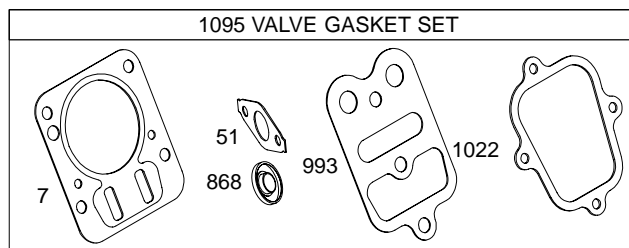
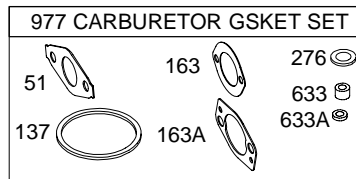
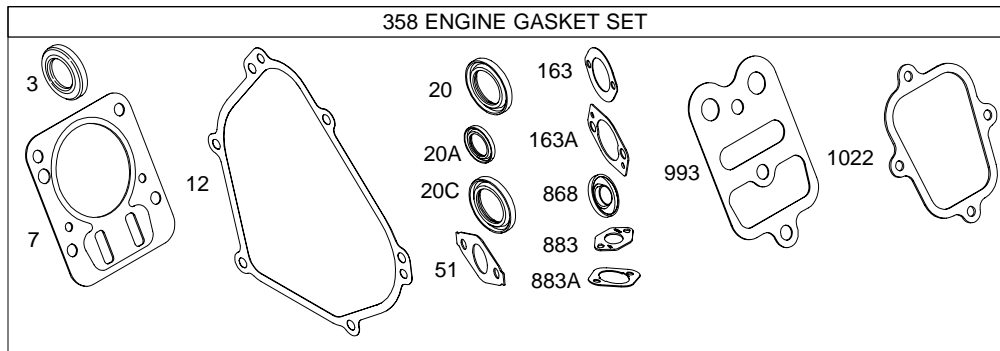
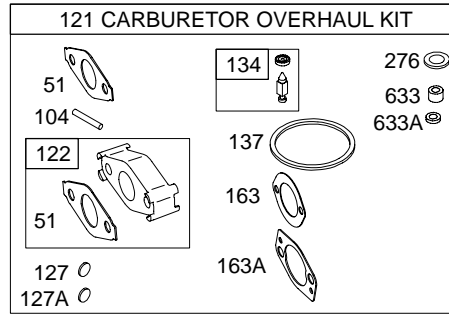
6818-7 *Illustrations cover a range of engines. Parts shown without corresponding text may not be used on your specific engine.* Assemblies include all parts shown in frames. 4C-10/2001

# 127400



Illustrations cover a range of engines. Parts shown without corresponding text may not be used on your specific engine.  
6818-8 Assemblies include all parts shown in frames. 4C-10/2001





Illustrations cover a range of engines. Parts shown without corresponding text may not be used on your specific engine. Assemblies include all parts shown in frames.

# 127400

REF. NO.	PART NO.	DESCRIPTION	REF. NO.	PART NO.	DESCRIPTION	REF. NO.	PART NO.	DESCRIPTION
1	690045	Cylinder Assembly <b>Note</b> 696253 Cylinder Assembly Used on Type No(s). 0236.	17	692517	Bearing-Ball	26	499631	Ring Set (Standard)
2	399269	Kit-Bushing/Seal	18	693605	Cover-Crankcase Used on Type No(s). 0036, 0105, 0110, 0125, 0131, 0135, 0136, 0138, 0141, 0143, 0149, 0151, 0154, 0156.			<b>Note</b> 692785 Ring Set (.010" Oversize) 692786 Ring Set (.020" Oversize) 692787 Ring Set (.030" Oversize)
3	*299819	Seal-Oil (Magneto Side)	18A	695290	Cover-Crankcase Used on Type No(s). 0150, 0152.	27	691866	Lock-Piston Pin
5	693643	Head-Cylinder	20	*692550	Seal-Oil (PTO Side)	28	499423	Pin-Piston
7	*Ø695166	Gasket-Cylinder Head	21	281658	Cap-Oil Fill	29	690124	Rod-Connecting
11	692600	Tube-Breather (Flat Panel Air Cleaner)	22	692551	Screw (Crankcase Cover/Sump)	30	692562	Dipper-Connecting Rod
12	*692549	Gasket-Crankcase	23	694902	Flywheel (Electric Start)	32	691664	Screw (Connecting Rod)
13	691137	Screw (Cylinder Head)	23B	692987	Flywheel (Used With Rewind Starter Only)	32A	695759	Screw (Connecting Rod)
15	691686	Plug-Oil Drain (Square Head)	24	222698	Key-Flywheel	33	499642	Valve-Exhaust
15A	691682	Plug-Oil Drain (Flush)	25	499627	Piston Assembly (Standard) <b>Note</b> 692788 Piston Assembly (.010" Oversize) 692789 Piston Assembly (.020" Oversize) 692790 Piston Assembly (.030" Oversize)	34	499641	Valve-Intake
16	693403	Crankshaft <b>Note</b> 693594 Crankshaft Used on Type No(s). 0141, 0151. 694439 Crankshaft Used on Type No(s). 0150, 0152. 694450 Crankshaft Used on Type No(s). 0138. 695763 Crankshaft Used on Type No(s). 0131, 0154.				35	691304	Spring-Valve (Intake)
						36	691304	Spring-Valve (Exhaust)
						40	692194	Retainer-Valve
						45	690977	Tappet-Valve
						46	693404	Camshaft
						51	*♦♦Ø692555	Gasket-Intake (2 Required)
						55	691422	Housing-Rewind Starter
						58	693389	Rope-Starter (Cut to Required Length)
						59	805957	Insert-Grip
						60	715257	Grip-Starter Rope (Two Piece Handle)
						65	690837	Screw (Rewind Starter)
						65A	692608	Screw (Rewind Starter)

\* Included in Engine Gasket Set-Ref. No.358.

● Included in Carburetor Overhaul Kit-Ref. No. 121.

♦ Included in Carburetor Gasket Set-Ref. No. 977.

Ø Included in Valve Gasket Set-Ref. No 1095.

*Illustrations cover a range of engines. Parts shown without corresponding text may not be used on your specific engine.*

REF. NO.	PART NO.	DESCRIPTION	REF. NO.	PART NO.	DESCRIPTION	REF. NO.	PART NO.	DESCRIPTION
79	694511	Case-Gear Reduction	127B	691585	Plug-Welch (7/8" Diameter)	265	691024	Clamp-Casing
82	690369	Screw (Gear Reduction Case) (7/8" Long)	130	691181	Valve-Throttle	267	692577	Screw (Casing Clamp)
82A	691122	Screw (Gear Reduction Case) (1 1/2" Long)			<b>Note</b>	268	691025	Casing-Control Wire (Cut to Required Length)
83	690374	Shaft-Auxillary Drive	133	398187	Floater-Carburetor	269	691026	Wire-Control (Cut to Required Length)
84	691121	Plug-Breather (Gear Reduction)	134	●398188	Kit-Needle/Seat	270	691027	Nut (Control Wire Casing)
85	692551	Screw (Gear Cover to Gear Reduction Case)	137	●693981	Gasket-Floater Bowl	271	691028	Lever-Control
86	690608	Cover-Gear	146	690979	Key-Timing	271A	694256	Lever-Control (Control Bracket)
87	691582	Seal-Gear Reduction	161	692579	Base-Air Cleaner (Flat Panel Air Cleaner)	276	●271716	Washer-Sealing
88	691600	Gasket-Gear Reduction Cover	163	★●272948	Gasket-Air Cleaner (Flat Panel Air Cleaner)	281	694252	Panel-Control
95	691636	Screw (Throttle Valve)	186	692317	Connector-Hose	286	696784	Module-Oil Sensor
97	690024	Shaft-Throttle	187	691050	Line-Fuel (Cut To Required Length)	300	694429	Muffler (Super Lo Tone)
98	398185	Kit-Idle Speed (Carburetor)	187A	692601	Line-Fuel (Molded) (Use With Fuel Shut Off Valve)	300A	693593	Muffler (Lo Tone)
104	●691242	Pin-Floater Hinge				304A	693621	Housing-Blower (Rewind In 1:30 Position)
108	692567	Valve-Choke	188	690877	Screw (Control Bracket)	304B	694378	Housing-Blower (Electric Start)
109	690023	Shaft-Choke	190	692127	Screw (Fuel Tank)	305	690960	Screw (Blower Housing)
117	697355	Jet-Main (Standard)	192	694543	Adjustor-Rocker Arm	306	693610	Shield-Cylinder
		<b>Note</b>	209	692571	Spring-Governor (Silver)	307	690345	Screw (Cylinder Shield)
		498976 Jet-Main (Standard) Used on Type No(s). 0138.			<b>Note</b>	309	694504	Motor-Starter
118	694975	Jet-Main (High Altitude) Used on Type No(s). 0138.			693206 Spring-Governor (Yellow) Used on Type No(s). 0125, 0141.	310	690323	Bolt (Starter Motor)
121	695157	Kit-Carburetor Overhaul	209A	691278	Spring-Governor	318	693609	Screw (Mounting Bracket)
122	●693749	Spacer-Carburetor	219	693578	Gear-Governor	332	690662	Nut (Flywheel)
125	697354	Carburetor	220	691724	Washer (Governor Gear)	333	692605	Armature-Magneto
		<b>Note</b>	222A	694253	Bracket-Control	334	691061	Screw (Magneto Armature)
		694508 Carburetor Used on Type No(s). 0138.	227	692573	Lever-Governor Control	337	491055	Plug-Spark
127	●694468	Plug-Welch (3/8" Diameter)	238	691300	Cap-Valve			<b>Note</b>
		<b>Note</b>				347	696213	Plug-Spark Switch-Rocker (Without Light)
		●691739 Plug-Welch (5/16" Diameter)						

★ Included in Engine Gasket Set-Ref. No.358.

● Included in Carburetor Overhaul Kit-Ref. No. 121.

◆ Included in Carburetor Gasket Set-Ref. No. 977.

⊘ Included in Valve Gasket Set-Ref. No 1095.

Illustrations cover a range of engines. Parts shown without corresponding text may not be used on your specific engine.

# 127400

REF. NO.	PART NO.	DESCRIPTION	REF. NO.	PART NO.	DESCRIPTION	REF. NO.	PART NO.	DESCRIPTION
356	693650	Wire-Stop (1 Wire, 17" Long) (Snap Connect Insulated Female Blade Terminal, And Ring Terminal)	441	694262	Beacket-Oil Fill	633A	◆◆691321	Seal-Choke/Throttle Shaft
356A	692390	Wire-Stop (1 Wire, 17" Long) (Snap Connect Insulated Female Blade Terminal, And Bare Wire)	445	491588	Filter-Air Cleaner Cartridge	635	692076	Boot-Sparkplug
356B	692602	Wire-Stop (1 Wire, 14" Long) (Snap Connect Insulated Female Blade Terminal, Insulated Push-On Female Blade Terminal)	449	691693	Screw (Oil Fill Bracket)	635A	692927	Boot-Sparkplug
356C	695630	Wire-Stop (1 Wire, 6-1/2" Long)(Push-On Female Blade Terminal, And Ring Terminal)	455	692591	Cup-Flywheel	652	691108	Screw (Support Bracket)
356D	693651	Wire-Stop (2 Wires, 14" And 10" Long)(Snap Connect Insulated Female Blade Terminal, Insulated Push-On Female Blade Terminal, And Snap Connect Insulated Female Blade Terminal))	456	692299	Plate-Pawl Friction	652A	695629	Screw (Support Bracket)
358	695155	Gasket Set-Engine	459	281505	Pawl-Ratchet	663	694593	Screw (Control Panel)
363	19069	Flywheel Puller	474	694457	Alternator	668	693604	Spacer (Oil Sensor)
364	695693	Terminal-Oil Plug	493	693599	Bracket-Mounting (Low Oil Sensor)	668A	694257	Spacer (Control Bracket)
365	692568	Screw (Carburetor)	504	694254	Washer Set-Friction	676	393757	Deflector-Muffler (Side Out)
383	19374	Wrench-Sparkplug	505	691251	Nut (Governor Control Lever)	676A	696029	Deflector-Muffler (Side Out)
415	693463	Plug (Crankcase Cover/ Sump)	510	499308	Drive-Starter	677	690661	Screw (Muffler Deflector)
425	692583	Screw (Air Cleaner Cover)	513	692024	Clutch-Drive	689	691855	Spring-Friction (Rewind Starter)
427	694255	Nut (Control Bracket)	523	693618	Dipstick	692	690572	Spring-Detent (Carburetor)
			524	281370	Seal-Dipstick Tube	697	690372	Screw (Drive Cap)
			544	692966	Armature-Starter	718	690959	Pin-Locating
			552	692346	Bushing-Governor Crank	727	694467	Cover-Starter Drive
			562	691112	Bolt (Governor Control Lever)	729	694371	Clip-Wire
			592	690800	Nut (Rewind Starter)	741	695087	Gear-Timing
			597	691696	Screw (Pawl Friction Plate)	742	692564	Retainer-E Ring (Idler Gear)
			598	220624	Shim-End Play	746	692566	Gear-Idler
			601	95162	Clamp-Hose	773	694258	Retainer (Control Bracket)
			608	693394	Starter-Rewind	783	692353	Gear-Pinion
			613	691665	Screw (Muffler)	799	693609	Screw (Oil Sensor)
			613A	694460	Screw (Muffler) (Shoulder Screw)	801	694482	Cap-Drive
			613B	691108	Screw (Muffler)	802	691286	Cap-End
			615	692576	Retainer-Governor Shaft	803	693757	Housing-Starter
			616	692547	Crank-Governor	819	691685	Screw (Muffler Bracket)
			619	691108	Screw (Cylinder Head Plate)	823	691665	Screw (Muffler Adapter)
			621	692310	Switch-Stop	824	696017	Gasket-Heat shield
			632	693408	Spring/Link- Mechanical Governor	830	694544	Stud (Rocker Arm)
			633	◆◆693867	Seal-Choke/Throttle Shaft			

★ Included in Engine Gasket Set-Ref. No.358.

● Included in Carburetor Overhaul Kit-Ref. No. 121.

◆ Included in Carburetor Gasket Set-Ref. No. 977.

⊘ Included in Valve Gasket Set-Ref. No 1095.

*Illustrations cover a range of engines. Parts shown without corresponding text may not be used on your specific engine.*

6818-12

Assemblies include all parts shown in frames.

4C-10/2001

REF. NO.	PART NO.	DESCRIPTION	REF. NO.	PART NO.	DESCRIPTION	REF. NO.	PART NO.	DESCRIPTION
832	693583	Guard-Muffler	886	696268	Gasket Kit-Cylinder Head/Plate	1005	692592	Fan-Flywheel
832A	694459	Guard-Muffler				1019	694852	Kit-Label
832B	696516	Guard-Muffler	890	694933	Bracket-Support	1022	★∅691890	Gasket-Rocker Cover
836	690661	Screw (Muffler Guard)	914	692198	Screw (Rocker Cover)	1023	499924	Cover-Rocker Arm
836A	693624	Screw (Muffler Guard)				1026	693517	Rod-Push
836B	691665	Screw (Muffler Guard)	914A	692557	Screw (Rocker Cover)	1029	691230	Arm-Rocker
836C	691003	Screw (Muffler Guard)				1034	691343	Guide-Push Rod
836D	696519	Screw (Muffler Guard)	957	694261	Cap-Fuel Tank	1036	697004	Label-Emission
842	691031	Seal-O Ring (Dipstick Tube)	958	692586	Valve-Fuel Shut Off (Plastic)	1051A	691265	Ring-Retaining (Starter Drive)
847	693617	Dipstick/Tube Assembly	967	493537	Filter-Pre Cleaner (Flat Panel Air Cleaner)	1052	693805	Sensor-Oil
851	493880	Terminal-Sparkplug	968	692584	Cover-Air Cleaner (Flat Panel Air Cleaner)	1054	280275	Tie-Cable
863	692596	Bracket-Muffler	971	690370	Screw (Air Cleaner Base To Carburetor)	1058	275092	Owner's Manual (Emission Engines)
864	694430	Adapter-Muffler				1070	692590	Screw (Flywheel Fan)
868	★∅692044	Seal-Valve	972	694260	Tank-Fuel	1090	691293	Retainer-Brush
883	692237	Gasket-Exhaust (Adapter to Muffler)	975	493640	Bowl-Float	1095	695289	Gasket Set-Valve
883A	691893	Gasket-Exhaust (Adapter to Cylinder)	977	695156	Gasket Set-Carburetor	1119	691183	Screw (Alternator)
			993	★∅694088	Gasket-Cylinder Head Plate	1210	498144	Pulley/Spring Assembly (Pulley)
						1211	498144	Pulley/Spring Assembly (Spring)

★ Included in Engine Gasket Set-Ref. No.358.

● Included in Carburetor Overhaul Kit-Ref. No. 121.

◆ Included in Carburetor Gasket Set-Ref. No. 977.

∅ Included in Valve Gasket Set-Ref. No 1095.

*Illustrations cover a range of engines. Parts shown without corresponding text may not be used on your specific engine.*