



# 124K00

## Illustrated Parts List

### Model Series

# 124K00

TYPE NUMBERS  
0110 through 0155.

### TABLE OF CONTENTS

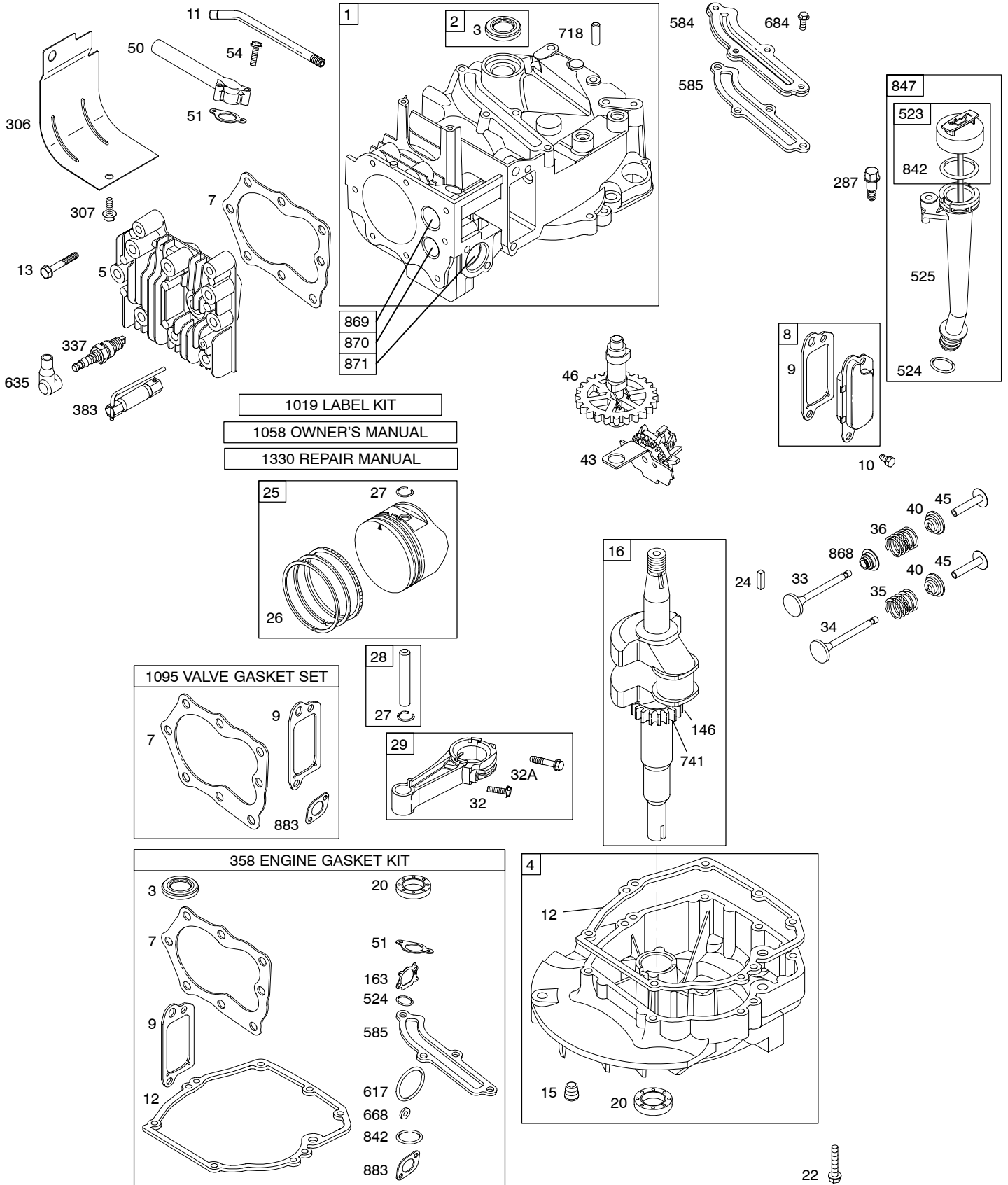
- Air Cleaner** ..... 4
- Blower Housing/Shrouds** ..... 5
- Camshaft** ..... 2
- Carburetor** ..... 3
- Controls** ..... 4
- Crankshaft** ..... 2
- Cylinder** ..... 2
- Electrical** ..... 4
- Engine Sump** ..... 2
- Exhaust System** ..... 4
- Flywheel** ..... 5
- Flywheel Brake** ..... 4
- Fuel Supply** ..... 3
- Governor Spring** ..... 4
- Ignition** ..... 4
- Kits/Gaskets** ..... 2 & 3
- Lubrication** ..... 2
- Piston Group** ..... 2
- Rewind Starter** ..... 5
- Valves** ..... 2



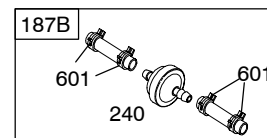
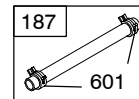
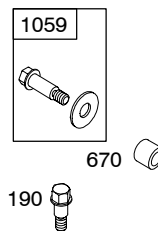
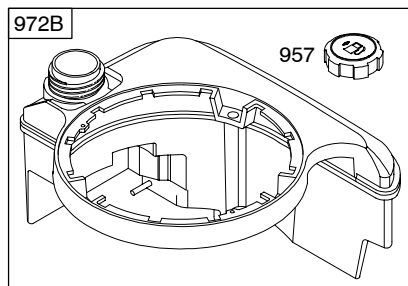
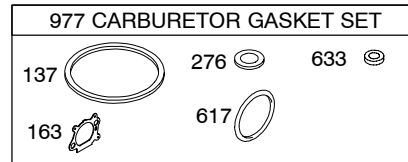
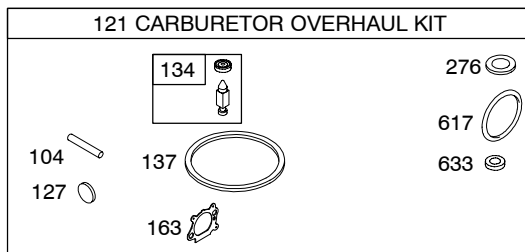
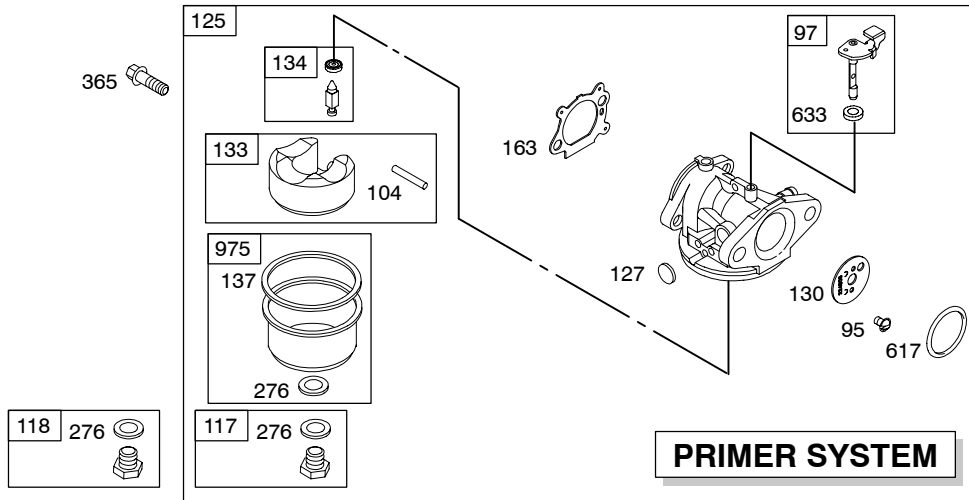
PRINTED IN U.S.A.

COPYRIGHT by BRIGGS & STRATTON CORPORATION  
All rights reserved. No part of this material may be reproduced or transmitted, in any form or by any means, electronic or mechanical, including photocopying, recording or by any information storage and retrieval system, without permission in writing from Briggs & Stratton Corporation.

# 124K00

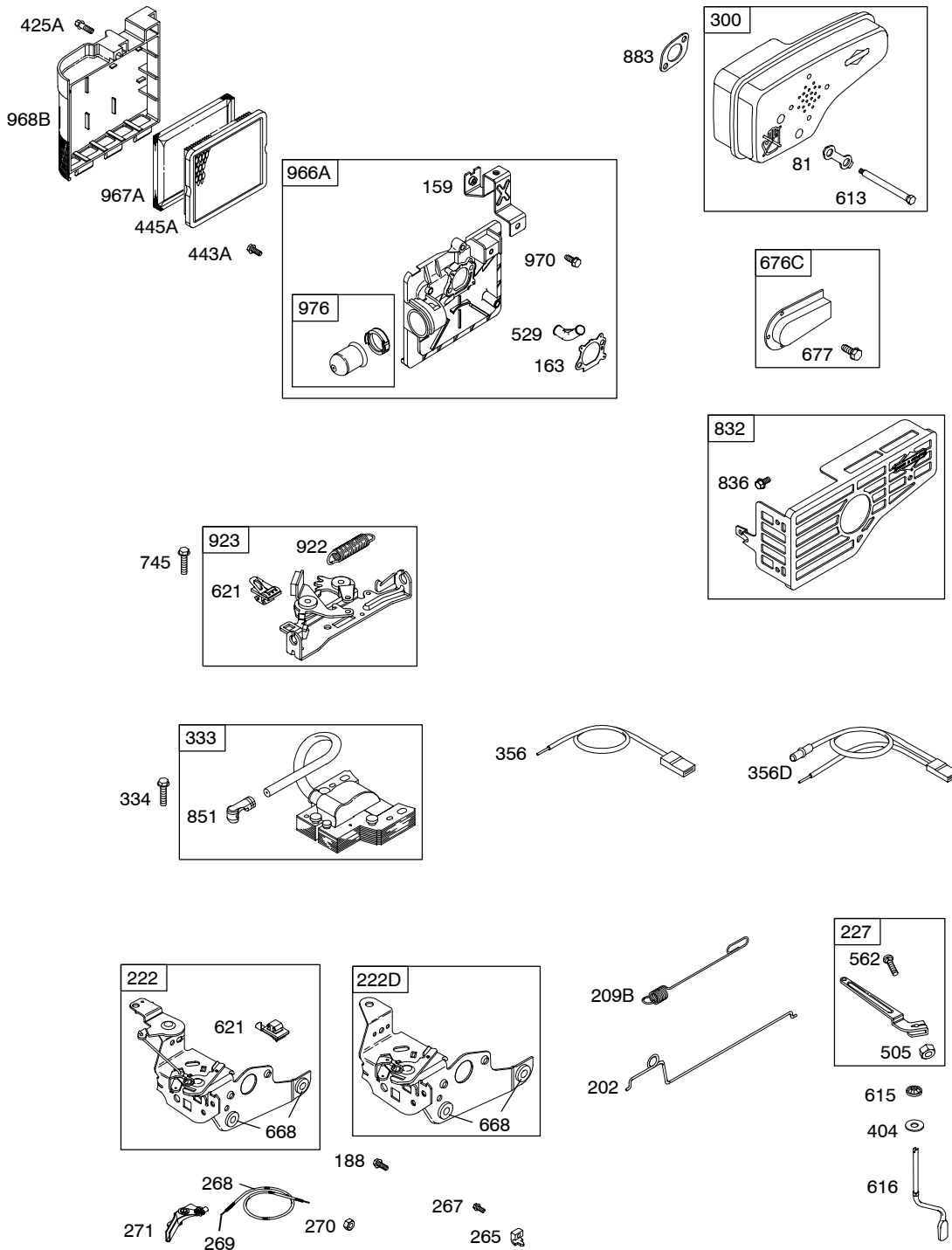


Illustrations cover a range of engines. Parts shown without corresponding text may not be used on your specific engine.  
 5055-2 Assemblies include all parts shown in frames. 10/07/2005

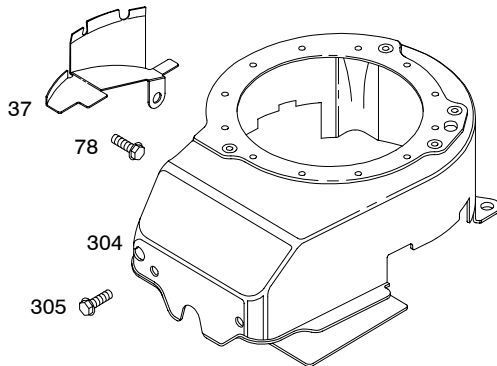
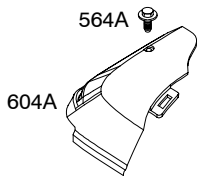
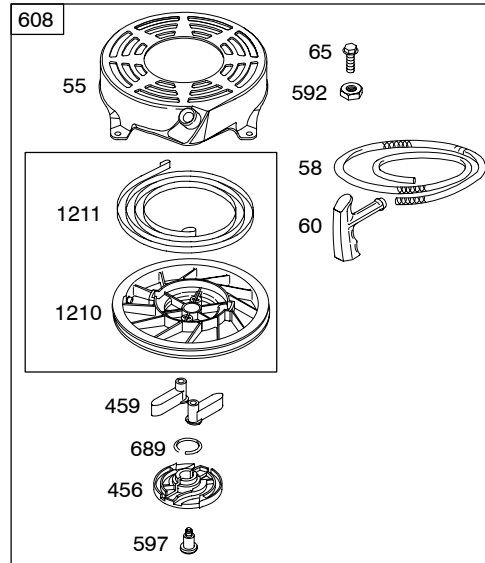
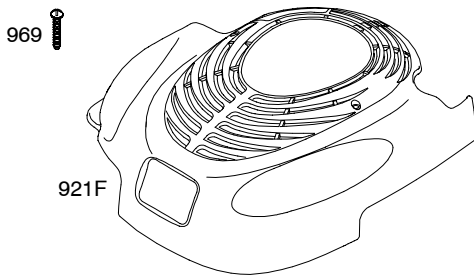
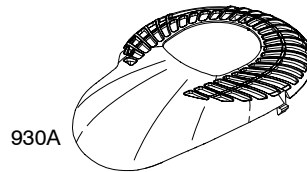
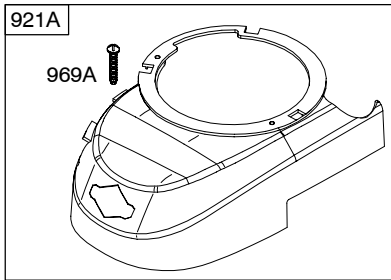


Illustrations cover a range of engines. Parts shown without corresponding text may not be used on your specific engine.  
 5055-3 Assemblies include all parts shown in frames. 10/07/2005

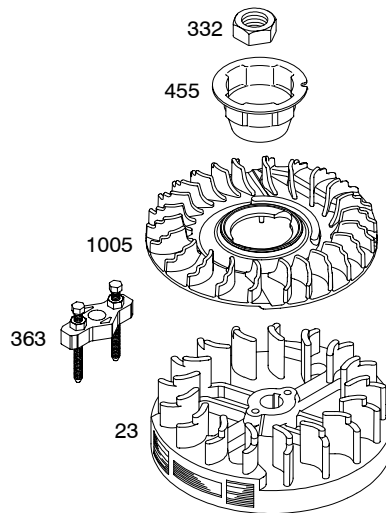
# 124K00



Illustrations cover a range of engines. Parts shown without corresponding text may not be used on your specific engine.  
 5055-4 Assemblies include all parts shown in frames. 10/07/2005



1036 EMISSION LABEL



Illustrations cover a range of engines. Parts shown without corresponding text may not be used on your specific engine.  
 5055-5 Assemblies include all parts shown in frames. 10/07/2005

# 124K00

REF. NO.	PART NO.	DESCRIPTION	REF. NO.	PART NO.	DESCRIPTION	REF. NO.	PART NO.	DESCRIPTION
1	697322	Cylinder Assembly	25	790359	Piston Assembly (Standard) (Used After Code Date 04031400).	27	691866	(.030" Oversize) Lock-Piston Pin
2	399269	Kit-Bushing/Seal (Magneto Side)				28	499423	Pin-Piston (Standard)
3	*299819	Seal-Oil (Magneto Side)			----- <b>Note</b> -----	29	499424	Rod-Connecting (Standard)
4	493279	Sump-Engine			697339 Piston Assembly (Standard) (Used Before Code Date 04031500).	32	691664	Screw (Connecting Rod)
5	691160	Head-Cylinder			697340 Piston Assembly (.010" Oversize)	32A	695759	Screw (Connecting Rod)
7	*Ø692249	Gasket-Cylinder Head			791326 Piston Assembly (.020" Oversize) (Used After Code Date 04102100).	33	262651	Valve-Exhaust
8	695250	Breather Assembly			697341 Piston Assembly (.020" Oversize) (Used Before Code Date 04102200).	34	262652	Valve-Intake
9	*Ø696125	Gasket-Breather			697342 Piston Assembly (.030" Oversize)	35	691270	Spring-Valve (Intake)
10	691125	Screw (Breather Assembly)			26 790360 Ring Set (Standard) (Used After Code Date 04031400).	36	691270	Spring-Valve (Exhaust)
11	691781	Tube-Breather			----- <b>Note</b> -----	37	694086	Guard-Flywheel
12	*692232	Gasket-Crankcase			696009 Crankshaft Used on Type No(s). 0110.	40	692194	Retainer-Valve
13	690912	Screw (Cylinder Head)			691450 Crankshaft Used on Type No(s). 0140.	43	691997	Slinger-Governor/Oil
15	691680	Plug-Oil Drain (Square Socket)				45	690548	Tappet-Valve
16	691451	Crankshaft Used on Type No(s). 0155.				46	691449	Camshaft
		----- <b>Note</b> -----				50	497465	Manifold-Intake
		696009 Crankshaft				51	*272199	Gasket-Intake
		Used on Type No(s). 0110.				54	691650	Screw (Intake Manifold)
		691450 Crankshaft				55	691421	Housing-Rewind Starter
		Used on Type No(s). 0140.				58	697316	Rope-Starter (Cut To Required Length)
20	*399781	Seal-Oil (PTO Side)			----- <b>Note</b> -----	60	281434	Grip-Starter Rope
22	691092	Screw (Crankcase Cover/ Sump)			499425 Ring Set (Standard) (Used Before Code Date 04031500).	65	690837	Screw (Rewind Starter)
23	692315	Flywheel (Rewind Start)			499426 Ring Set (.010" Oversize)	78	691108	Screw (Flywheel Guard)
24	222698	Key-Flywheel			791324 Ring Set (.020" Oversize) (Used After Code Date 04102100).	81	691740	Lock-Muffler Screw
					499427 Ring Set (.020" Oversize) (Used Before Code Date 04102200).	95	691636	Screw (Throttle Valve)
					499428 Ring Set	97	696565	Shaft-Throttle
						104	●691242	Pin-Float Hinge
						117	498978	Jet-Main (Standard)
						118	497466	Jet-Main (High Altitude)

\* Included in Engine Gasket Set-Ref. No.358.

● Included in Carburetor Overhaul Kit-Ref. No. 121.

◆ Included in Carburetor Gasket Set-Ref. No. 977.

Ø Included in Valve Gasket Set-Ref. No 1095.

*Illustrations cover a range of engines. Parts shown without corresponding text may not be used on your specific engine.*

REF. NO.	PART NO.	DESCRIPTION	REF. NO.	PART NO.	DESCRIPTION	REF. NO.	PART NO.	DESCRIPTION
121	498260	Kit-Carburetor Overhaul	222	790143	Bracket-Control (Remote/Manual Friction)(Primer)	334	691061	Screw (Magneto Armature)
125	498170	Carburetor (Primer System)	222D	692467	Bracket-Control (Fixed Speed)	337	802592	Plug-Spark
127	●694468	Plug-Welch	227	690783	Lever-Governor Control	356	692390	Wire-Stop
130	696564	Valve-Throttle	240	298090	Filter-Fuel	356D	496381	Wire-Stop
133	398187	Float-Carburetor	265	690798	Clamp-Casing	358	497316	Gasket Set-Engine
134	●398188	Kit-Needle/Seat	267	691044	Screw (Casing Clamp)	363	19069	Flywheel Puller
137	◆693981	Gasket-Float Bowl	268	691072	Casing-Control Wire (Cut to Required Length)	365	691688	Screw (Carburetor)
146	690979	Key-Timing	269	691026	Wire-Control (Cut to Required Length)	383	89838	Wrench-Spark Plug
159	691753	Bracket-Air Cleaner Primer	270	691027	Nut (Control Wire Casing)	404	690272	Washer (Governor Crank)
163	◆◆272653	Gasket-Air Cleaner	271	691028	Lever-Control	425A	690670	Screw (Air Cleaner Cover)
187	791766	Line-Fuel (Cut to Required Length) (Used After Code Date 05063000).	276	◆◆271716	Washer-Sealing	443A	692523	Screw (Air Cleaner Primer Base)
		----- <b>Note</b> -----	287	690940	Screw (Dipstick Tube)	445A	491588	Filter-Air Cleaner Cartridge
		691050 Line-Fuel (Cut to Required Length) (Used Before Code Date 05070100).	300	692038	Muffler (Super Lo Tone)	455	695161	Cup-Flywheel
187B	791891	Line-Fuel (Includes Filter)	304	493293	Housing-Blower Used on Type No(s). 0110.	456	692299	Plate-Pawl Friction
188	690877	Screw (Control Bracket)			----- <b>Note</b> -----	459	281505	Plate-Ratchet
190	690940	Screw (Fuel Tank)			695892 Housing-Blower	505	691251	Nut (Governor Control Lever)
202	691829	Link-Mechanical Governor			Used on Type No(s). 0155.	523	495264	Dipstick
209B	699056	Spring-Governor Used on Type No(s). 0155.			493294 Housing-Blower Used on Type No(s). 0140.	524	★692296	Seal-Dipstick Tube
		----- <b>Note</b> -----	305	691108	Screw (Blower Housing)	525	495265	Tube-Dipstick
		691292 Spring-Governor Used on Type No(s). 0140.	306	690450	Shield-Cylinder	529	691923	Grommet
		691291 Spring-Governor Used on Type No(s). 0110.	307	690345	Screw (Cylinder Shield)	562	92613	Bolt (Governor Control Lever)
			332	690662	Nut (Flywheel)	564A	691142	Screw (Control Cover)
			333	802574	Armature-Magneto	584	697734	Cover-Breather Passage
						585	★691879	Gasket-Breather Passage
						592	690800	Nut (Rewind Starter)
						597	691696	Screw (Pawl Friction Plate)
						601	95162	Clamp-Hose
						604A	691344	Cover-Control

★ Included in Engine Gasket Set-Ref. No.358.

● Included in Carburetor Overhaul Kit-Ref. No. 121.

◆ Included in Carburetor Gasket Set-Ref. No. 977.

⊘ Included in Valve Gasket Set-Ref. No 1095.

**Illustrations cover a range of engines. Parts shown without corresponding text may not be used on your specific engine.**

# 124K00

REF. NO.	PART NO.	DESCRIPTION	REF. NO.	PART NO.	DESCRIPTION	REF. NO.	PART NO.	DESCRIPTION
608	497680	Starter-Rewind	842	★691031	Seal-O Ring (Dipstick Tube)	966A	496116	Base-Air Cleaner Primer
613	691340	Screw (Muffler)	847	692017	Dipstick/Tube Assembly	967A	493537	Filter-Pre Cleaner
615	690340	Retainer-Governor Shaft	851	493880	Terminal-Spark Plug	968B	692298	Cover-Air Cleaner
616	698801	Crank-Governor	868	697338	Seal-Valve	969	690700	Screw (Blower Housing Cover)
617★◆	270344	Seal-O Ring (Intake Manifold)	869	691155	Seat-Valve (Intake)	969A	691138	Screw (Blower Housing Cover)
621	692310	Switch-Stop	870	690380	Seat-Valve (Exhaust)	970	691669	Screw (Air Cleaner Primer Bracket)
633	◆691321	Seal-Choke/Throttle Shaft	871	262001	Bushing-Valve Guide (Exhaust)	972B	699374	Tank-Fuel (Plastic)
635	66538	Boot-Spark Plug			----- <b>Note</b> -----	975	493640	Bowl-Float
668	★493823	Spacer (Includes 2)			63709 Bushing-Valve Guide	976	694395	Primer-Carburetor
670	692294	Spacer-Fuel Tank	883	★∅691881	Gasket-Exhaust	977	498261	Gasket Set-Carburetor
676C	493871	Deflector-Muffler (Side Out) (Extended)	921A	695886	Cover-Blower Housing	1005	691346	Fan-Flywheel
677	690661	Screw (Muffler Deflector)	921F	697343	Cover-Blower Housing	1019	494256	Kit-Label
684	690345	Screw (Breather Passage Cover)	922	691831	Spring-Brake ----- <b>Note</b> -----	1036		Label-Emission (Available From An Authorized Briggs & Statton Sevice Dealer)
689	691855	Spring-Friction			692135 Spring-Brake Used on Type No(s). 0155.	1058	276171	Manual-Owner's
718	690959	Pin-Locating	923	691994	Brake ----- <b>Note</b> -----	1059	692311	Kit-Screw/Washer
741	790345	Gear-Timing (Use Without Woodruff Key) ----- <b>Note</b> -----			695891 Brake Used on Type No(s). 0155.	1095	498528	Gasket Set-Valve
		691830 Gear-Timing (Uses Woodruff Key)	930A	691345	Guard-Rewind (Tear Drop)	1210	498144	Pulley/Spring Assembly (Pulley)
745	691648	Screw (Brake)	957	397974	Cap-Fuel Tank (Plastic) (Black)	1211	498144	Pulley/Spring Assembly (Spring)
832	499034	Guard-Muffler				1330	270962	Manual-Repair
836	690664	Screw (Muffler Guard)						

★ Included in Engine Gasket Set-Ref. No.358.

● Included in Carburetor Overhaul Kit-Ref. No. 121.

◆ Included in Carburetor Gasket Set-Ref. No. 977.

∅ Included in Valve Gasket Set-Ref. No 1095.

*Illustrations cover a range of engines. Parts shown without corresponding text may not be used on your specific engine.*