



124H00

Illustrated Parts List

Model Series

124H00

TYPE NUMBERS
0100 through 0120.

TABLE OF CONTENTS

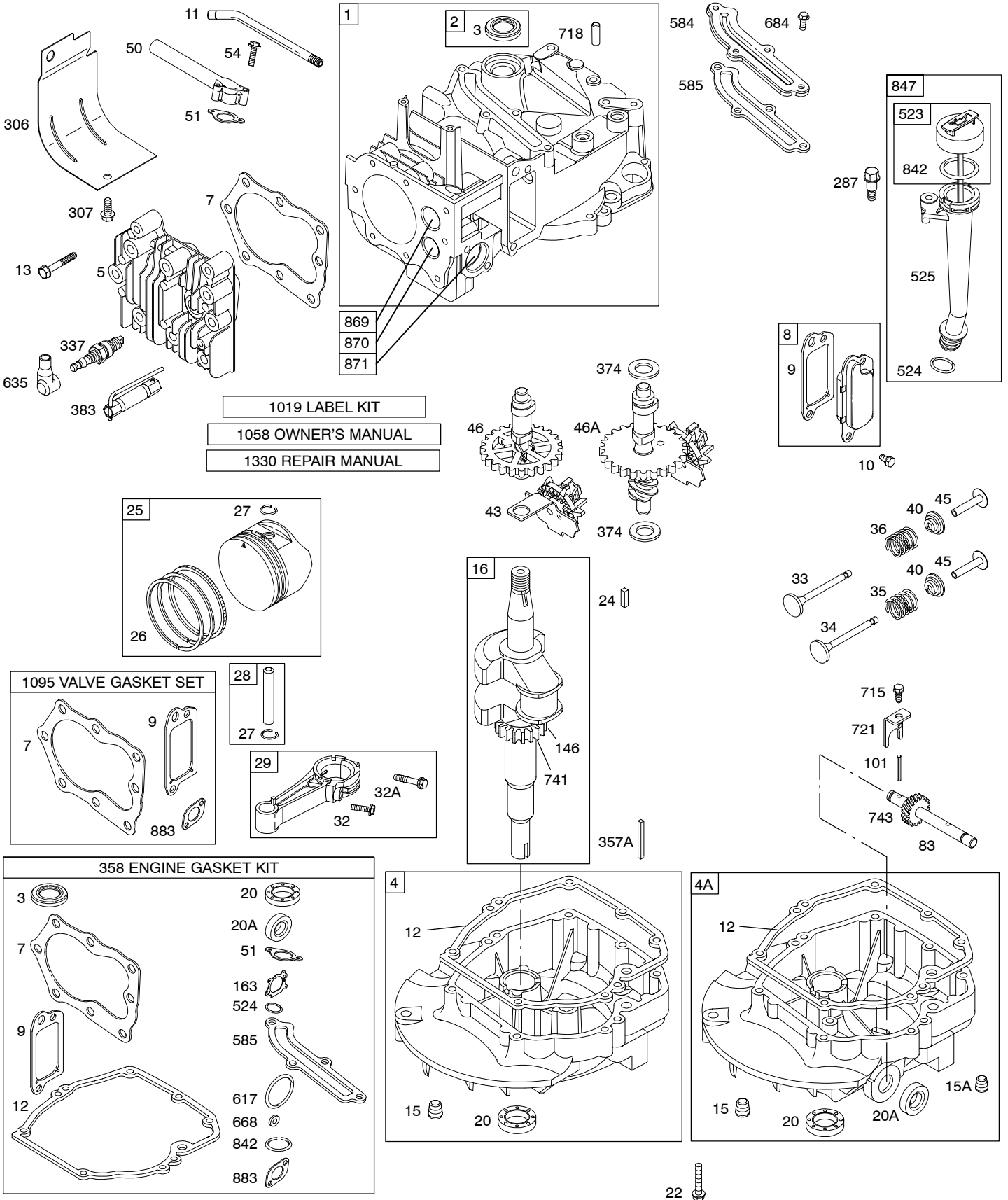
- Air Cleaner 4
- Blower Housing/Shrouds 5
- Camshaft 2
- Carburetor 3
- Controls 4
- Crankshaft 2
- Cylinder 2
- Electrical 4
- Engine Sump 2
- Exhaust System 4
- Flywheel 5
- Flywheel Brake 4
- Fuel Supply 3
- Governor Spring 4
- Ignition 4
- Kits/Gaskets 2 & 3
- Lubrication 2
- Piston Group 2
- Rewind Starter 7
- Valves 2



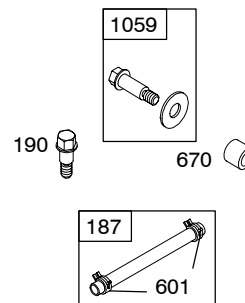
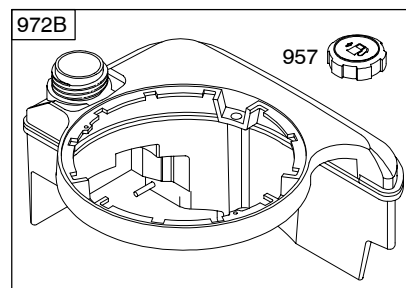
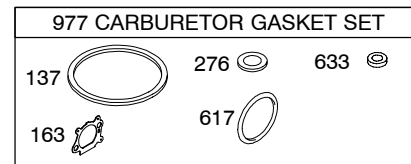
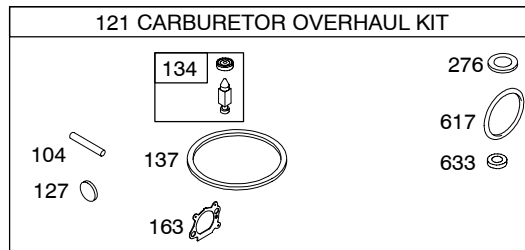
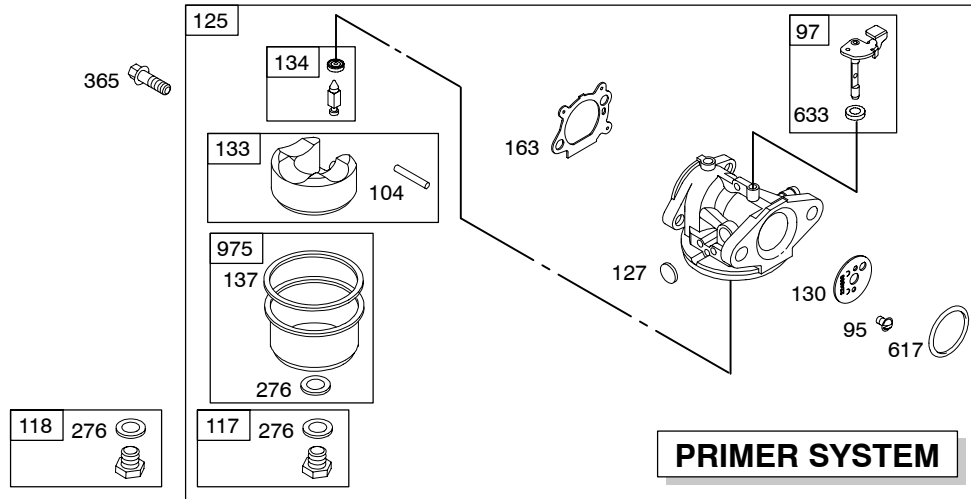
PRINTED IN U.S.A.

COPYRIGHT by BRIGGS & STRATTON CORPORATION
All rights reserved. No part of this material may be reproduced or transmitted, in any form or by any means, electronic or mechanical, including photocopying, recording or by any information storage and retrieval system, without permission in writing from Briggs & Stratton Corporation.

124H00

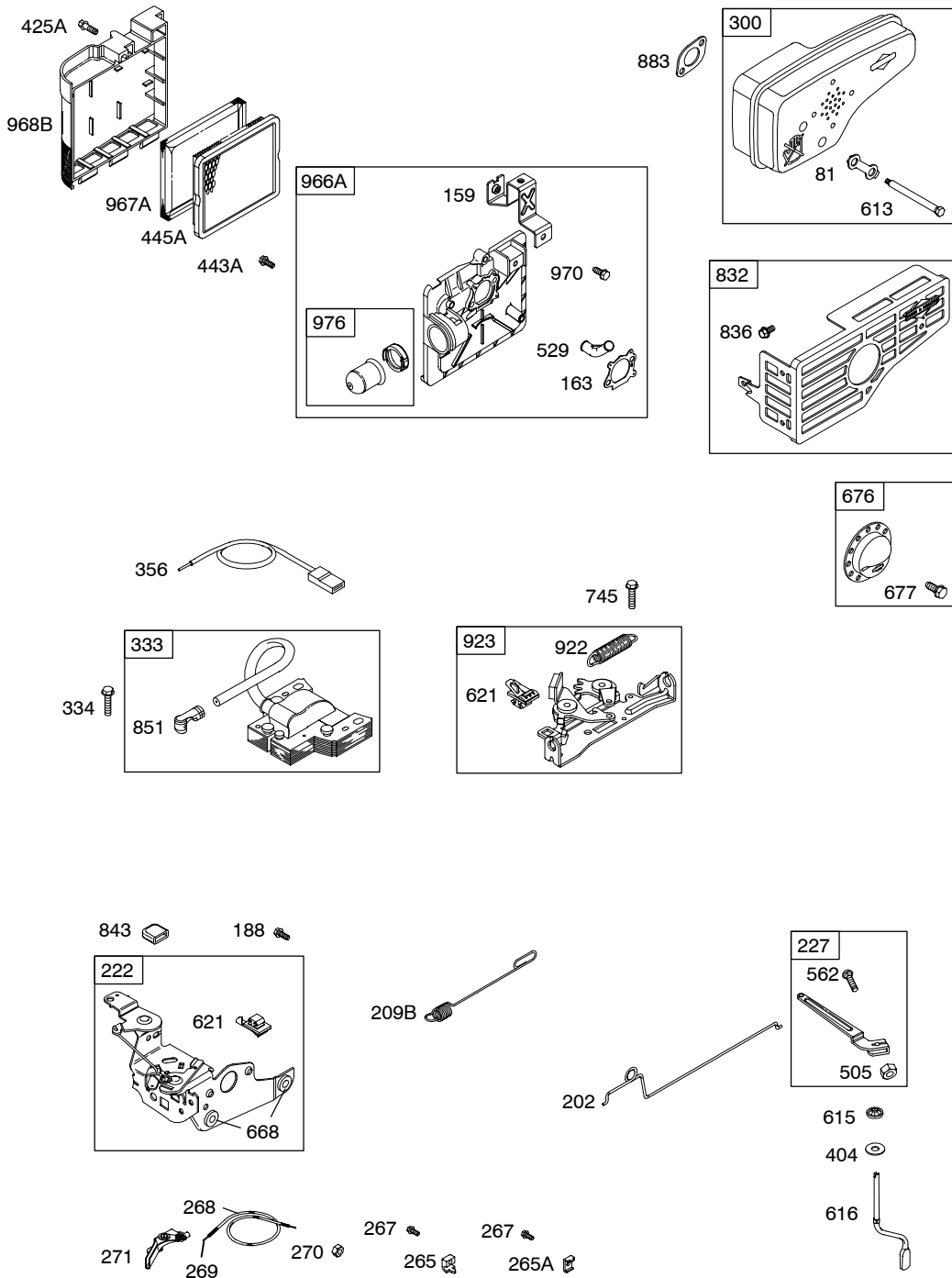


Illustrations cover a range of engines. Parts shown without corresponding text may not be used on your specific engine.
 6735-2 Assemblies include all parts shown in frames. 10/05/2005

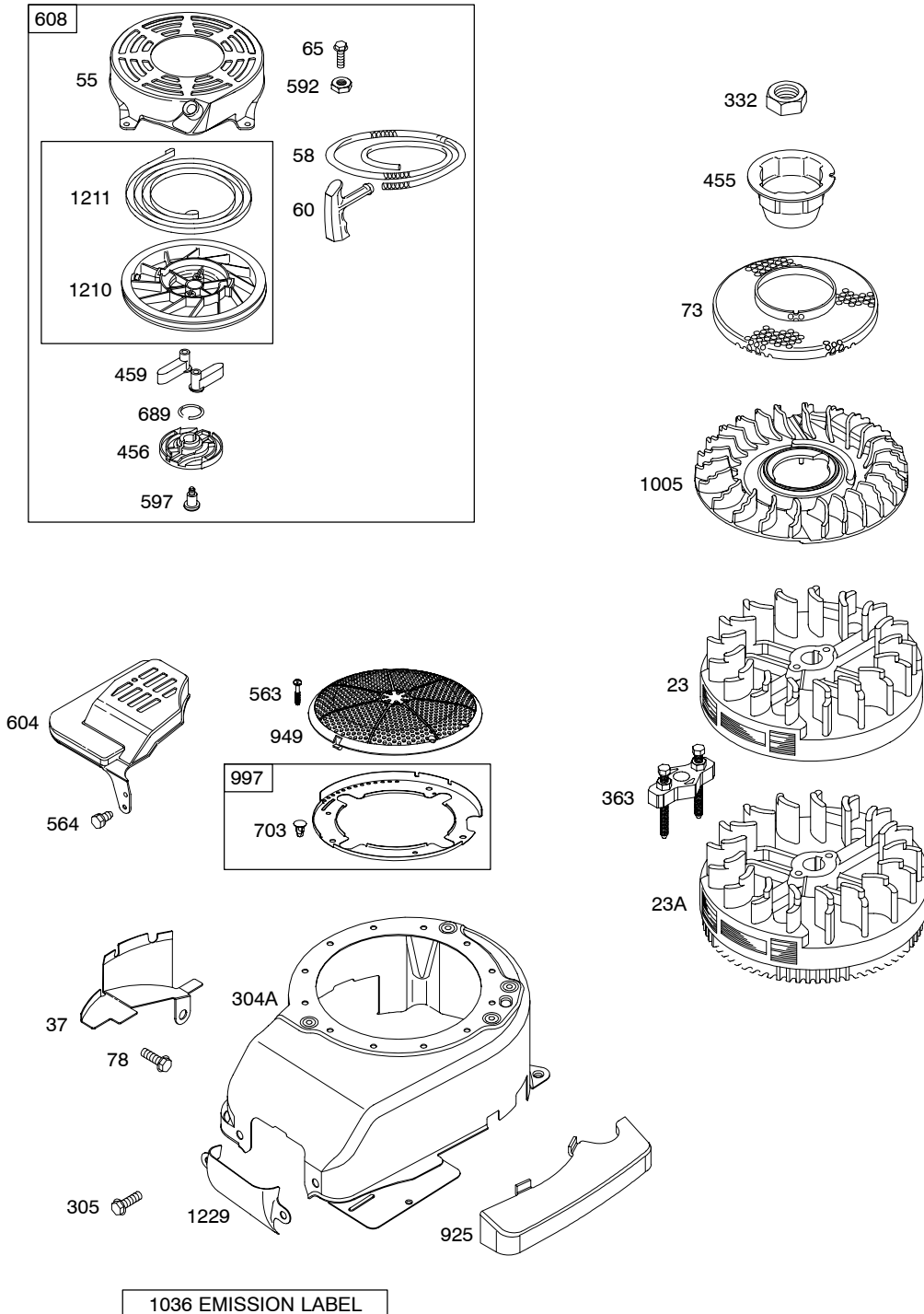


Illustrations cover a range of engines. Parts shown without corresponding text may not be used on your specific engine.
 6735-3 Assemblies include all parts shown in frames. 10/05/2005

124H00



Illustrations cover a range of engines. Parts shown without corresponding text may not be used on your specific engine.
 6735-4 Assemblies include all parts shown in frames. 10/05/2005



6735-5 Illustrations cover a range of engines. Parts shown without corresponding text may not be used on your specific engine. Assemblies include all parts shown in frames. 10/05/2005

124H00

REF. NO.	PART NO.	DESCRIPTION	REF. NO.	PART NO.	DESCRIPTION	REF. NO.	PART NO.	DESCRIPTION
1	697324	Cylinder Assembly	25	790358	Piston Assembly (Standard) (Used After Code Date 04031400).	27	691866	Lock-Piston Pin
2	399269	Kit-Bushing/Seal (Magneto Side)				28	499423	Pin-Piston (Standard)
3	★299819	Seal-Oil (Magneto Side)				29	499424	Rod-Connecting (Standard)
4	493279	Sump-Engine				32	691664	Screw (Connecting Rod)
4A	493365	Sump-Engine (Auxiliary PTO)				32A	695759	Screw (Connecting Rod)
5	691160	Head-Cylinder				33	262651	Valve-Exhaust
7	★∅692249	Gasket-Cylinder Head				34	262652	Valve-Intake
8	695250	Breather Assembly				35	691270	Spring-Valve (Intake)
9	★∅272481	Gasket-Breather				36	691270	Spring-Valve (Exhaust)
10	691125	Screw (Breather Assembly)				37	694086	Guard-Flywheel
11	691781	Tube-Breather				40	692194	Retainer-Valve
12	★692232	Gasket-Crankcase				43	691997	Slinger-Governor/Oil
13	690912	Screw (Cylinder Head)				45	690548	Tappet-Valve
15	691680	Plug-Oil Drain (Square Socket)				46	691449	Camshaft
15A	691093	Plug-Oil Drain (Hex Socket)				46A	691459	Camshaft (Counterclockwise)
16	691451	Crankshaft				50	497465	Manifold-Intake
		----- Note -----				51	★272199	Gasket-Intake
		691450 Crankshaft Used on Type No(s). 0110.				54	691650	Screw (Intake Manifold)
20	★399781	Seal-Oil (PTO Side)	26	790360	Ring Set (Standard) (Used After Code Date 04031400).	55	691421	Housing-Rewind Starter
20A	★691952	Seal-Oil (PTO Side) (Auxiliary PTO)				58	697316	Rope-Starter (Cut To Required Length)
22	691092	Screw (Crankcase Cover/Sump)				60	281434	Grip-Starter Rope
23	692315	Flywheel (Rewind Start)				65	690837	Screw (Rewind Starter)
23A	691992	Flywheel (Electric Start)				73	691222	Screen-Rotating
24	222698	Key-Flywheel				78	691108	Screw (Flywheel Guard)
						81	691740	Lock-Muffler Screw
						83	691778	Shaft-Auxiliary Drive
								----- Note -----
								690522 Shaft-Auxiliary Drive Used on Type No(s). 0111.

★ Included in Engine Gasket Set-Ref. No.358.

● Included in Carburetor Overhaul Kit-Ref. No. 121.

◆ Included in Carburetor Gasket Set-Ref. No. 977.

∅ Included in Valve Gasket Set-Ref. No 1095.

Illustrations cover a range of engines. Parts shown without corresponding text may not be used on your specific engine.

124H00

REF. NO.	PART NO.	DESCRIPTION	REF. NO.	PART NO.	DESCRIPTION	REF. NO.	PART NO.	DESCRIPTION
95	691636	Screw (Throttle Valve)	187	791766	Line-Fuel (Cut to Required Length)	300	496106	Muffler (Tuned)
97	493267	Shaft-Throttle (Metal)			(Used After Code Date 05063000).	304A	493294	Housing-Blower ----- Note -----
		----- Note ----- 696565 Shaft-Throttle (Plastic)			----- Note ----- 691050 Line-Fuel (Cut to Required Length)			696420 Housing-Blower Used on Type No(s). 0110, 0111, 0120.
101	691623	Pin-Shaft			(Used Before Code Date 05070100).	305	691108	Screw (Blower Housing)
104	691242	Pin-Float Hinge	188	690877	Screw (Control Bracket)	306	690450	Shield-Cylinder
117	494870	Jet-Main (Standard) (Used After Code Date 02092900).	190	690940	Screw (Fuel Tank)	307	690345	Screw (Cylinder Shield)
		----- Note ----- 498975 Jet-Main (Standard) (Used Before Code Date 02093000).	202	691829	Link-Mechanical Governor	332	690662	Nut (Flywheel)
118	497315	Jet-Main (High Altitude) (Used After Code Date 02092900).	209B	691291	Spring-Governor ----- Note -----	333	802574	Armature-Magneto
		----- Note ----- 496495 Jet-Main (High Altitude) (Used Before Code Date 02093000).			691292 Spring-Governor Used on Type No(s). 0105, 0110, 0120.	334	691061	Screw (Magneto Armature)
			222	790143	Bracket-Control (Remote/Manual Friction)(Primer)	337	802592	Plug-Spark (Resistor) ----- Note -----
			227	690783	Lever-Governor Control			697451 Plug-Spark (EMS)
121	498260	Kit-Carburetor Overhaul	265	690798	Clamp-Casing	356	692390	Wire-Stop
125	698444	Carburetor	265A	691024	Clamp-Casing	357A	691483	Key-Drive Pulley
127	694468	Plug-Welch	267	691044	Screw (Casing Clamp)	358	497316	Gasket Set-Engine
130	691203	Valve-Throttle ----- Note -----	268	691025	Casing-Control Wire (Cut to Required Length)	363	19069	Puller-Flywheel
		696564 Valve-Throttle (Used With Plastic Throttle Shaft)	269	691026	Wire-Control (Cut to Required Length)	365	691688	Screw (Carburetor)
133	398187	Float-Carburetor	270	691027	Nut (Control Wire Casing)	374	691074	Washer (Camshaft)
134	398188	Kit-Needle/Seat	271	691028	Lever-Control	383	89838	Wrench-Spark Plug
137	693981	Gasket-Float Bowl	276	271716	Washer-Sealing	404	690272	Washer (Governor Crank)
146	690979	Key-Timing	287	690940	Screw (Dipstick Tube)	425A	690670	Screw (Air Cleaner Cover)
159	691753	Bracket-Air Cleaner Primer				443A	692523	Screw (Air Cleaner Primer Base)
163	272653	Gasket-Air Cleaner				445A	491588	Filter-Air Cleaner Cartridge
						455	695161	Cup-Flywheel
						456	692299	Plate-Pawl Friction
						459	281505	Plate-Ratchet

★ Included in Engine Gasket Set-Ref. No.358.

● Included in Carburetor Overhaul Kit-Ref. No. 121.

◆ Included in Carburetor Gasket Set-Ref. No. 977.

⊘ Included in Valve Gasket Set-Ref. No 1095.

Illustrations cover a range of engines. Parts shown without corresponding text may not be used on your specific engine.

124H00

REF. NO.	PART NO.	DESCRIPTION	REF. NO.	PART NO.	DESCRIPTION	REF. NO.	PART NO.	DESCRIPTION
505	691251	Nut (Governor Control Lever)	677	690661	Screw (Muffler Deflector)	883	★ 691881	Gasket-Exhaust
523	495264	Dipstick	684	690345	Screw (Breather Passage Cover)	922	692135	Spring-Brake
524	★692296	Seal-Dipstick Tube	689	691855	Spring-Friction	923	695891	Brake
525	495265	Tube-Dipstick	703	696309	Clip	925	690595	Cover-Linkage
529	691923	Grommet	715	691147	Screw (Stop Shaft)	949	696306	Guard-Debris Screen
562	92613	Bolt (Governor Control Lever)	718	690959	Pin-Locating	957	397974	Cap-Fuel Tank (Plastic)
563	691138	Screw (Debris Guard Screen)	721	690449	Stop-Shaft	966A	496116	Base-Air Cleaner Primer
564	690664	Screw (Control Cover)	741	790345	Gear-Timing (Use Without Woodruff Key)	967A	493537	Filter-Pre Cleaner
584	697734	Cover-Breather Passage			----- Note -----	968B	692298	Cover-Air Cleaner
585	★691879	Gasket-Breather Passage			691830 Gear-Timing (Uses Woodruff Key)	970	691681	Screw (Air Cleaner Primer Bracket)
592	690800	Nut (Rewind Starter)	743	691772	Gear-Drive	972B	699374	Tank-Fuel (Plastic)
597	691696	Screw (Pawl Friction Plate)	745	691648	Screw (Brake)	975	493640	Bowl-Float
601	95162	Clamp-Hose (Green)	832	499034	Guard-Muffler	976	694395	Primer-Carburetor
604	691757	Cover-Control	836	690664	Screw (Muffler Guard)	977	498261	Gasket Set-Carburetor
608	497680	Starter-Rewind	842	★691031	Seal-O Ring (Dipstick Tube)	997	696310	Shield-Debris
613	691340	Screw (Muffler)	843	691884	Sleeve-Lever (Control Bracket)	1005	691346	Fan-Flywheel
615	690340	Retainer-Governor Shaft	847	692017	Dipstick/Tube Assembly	1019	696438	Kit-Label
616	698801	Crank-Governor	851	493880	Terminal-Spark Plug	1036		Label-Emission (Available From An Authorized Briggs & Statton Sevice Dealer)
617	★◆270344	Seal-O Ring (Intake Manifold)	869	691155	Seat-Valve (Intake)	1058	276171	Manual-Owner's
621	692310	Switch-Stop	870	690380	Seat-Valve (Exhaust)	1059	692311	Kit-Screw/Washer
633	◆691321	Seal-Choke/Throttle Shaft	871	262001	Bushing-Valve Guide (Exhaust)	1095	498528	Gasket Set-Valve
635	66538	Boot-Spark Plug			----- Note -----	1210	498144	Pulley/Spring Assembly (Pulley)
668	★493823	Spacer			63709 Bushing- Valve Guide (Intake)	1211	498144	Pulley/Spring Assembly (Spring)
670	692294	Spacer-Fuel Tank				1229	696308	Extension-Blower Housing
676	396548	Deflector-Muffler (Single Louver)				1330	270962	Manual-Repair

★ Included in Engine Gasket Set-Ref. No.358.

● Included in Carburetor Overhaul Kit-Ref. No. 121.

◆ Included in Carburetor Gasket Set-Ref. No. 977.

∅ Included in Valve Gasket Set-Ref. No 1095.

Illustrations cover a range of engines. Parts shown without corresponding text may not be used on your specific engine.

6735-8

Assemblies include all parts shown in frames.

10/05/2005