

124400

Illustrated Parts List

Model Series

124400

TYPE NUMBERS
0110 through 0150.

For Use On Engines Built Before Date Code – 03010100

TABLE OF CONTENTS

Air Cleaner	8
Blower Housing/Shrouds	9
Cams	3
Carburetor	5
Controls	6
Controls	7
Crankcase Cover/Sump	2
Crankshaft	3
Cylinder	2
Electric Starter	10
Flywheel	9
Fuel Tank	6
Gear Reducer	10
Governor Spring	7
Head	4
Ignition	7
Kits/Gaskets – Carburetor	5
Kits/Gaskets – Engine	2
Kits/Gaskets – Valve	4
Muffler	8
Oil	10
Piston Group	3
Rewind	9
Valves	4

PRINTED IN U.S.A.



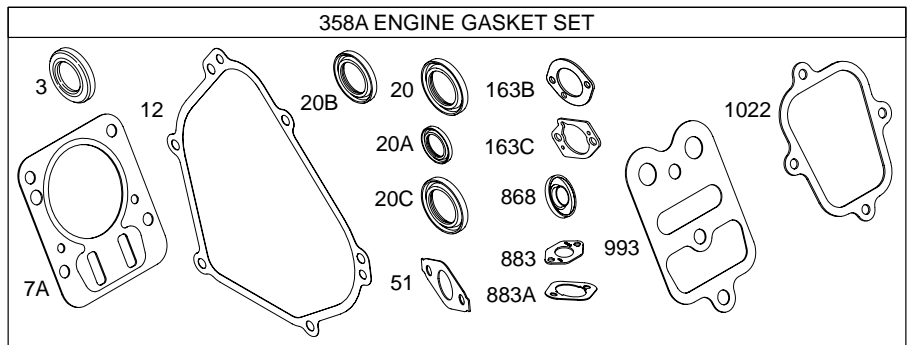
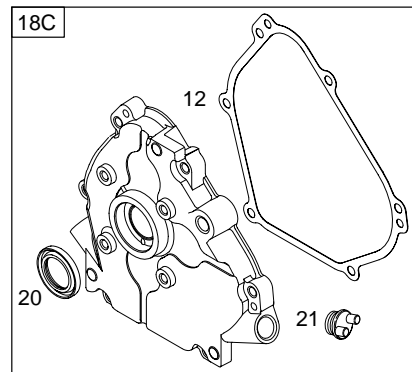
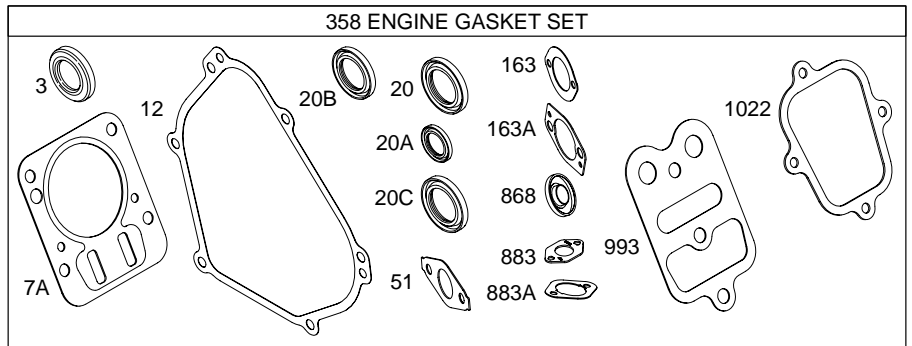
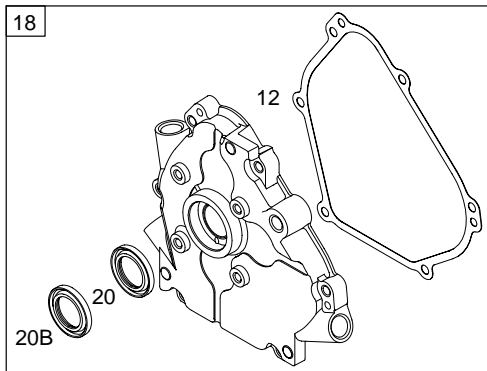
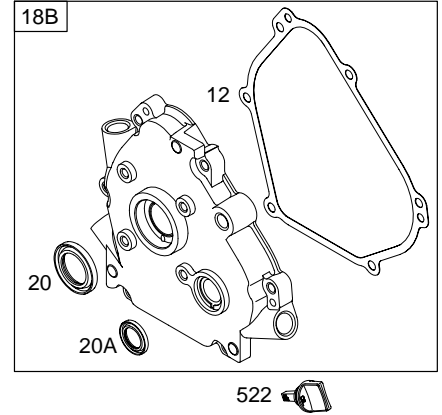
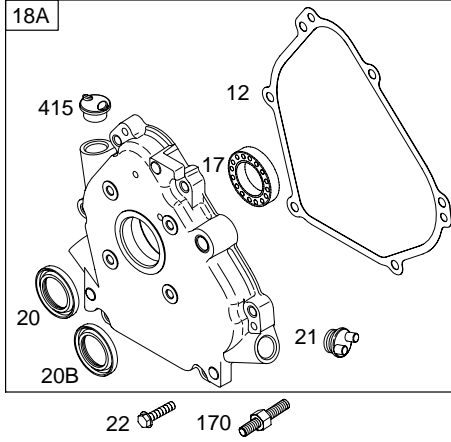
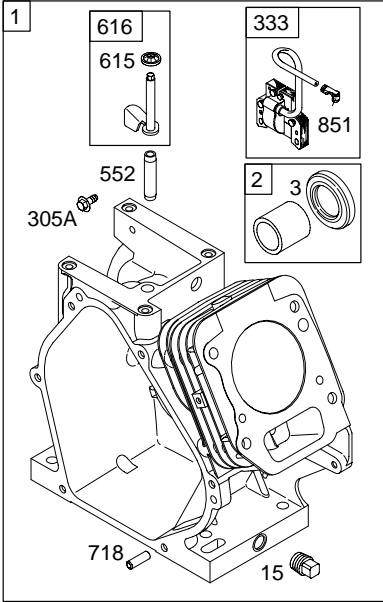
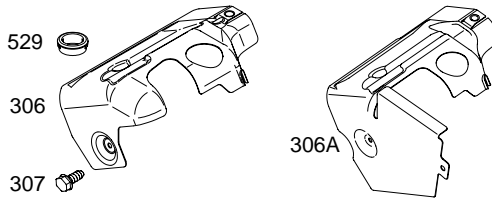
COPYRIGHT by BRIGGS & STRATTON CORPORATION
 All rights reserved. No part of this material may be reproduced or transmitted, in any form or by any means, electronic or mechanical, including photocopying, recording or by any information storage and retrieval system, without permission in writing from Briggs & Stratton Corporation.

124400

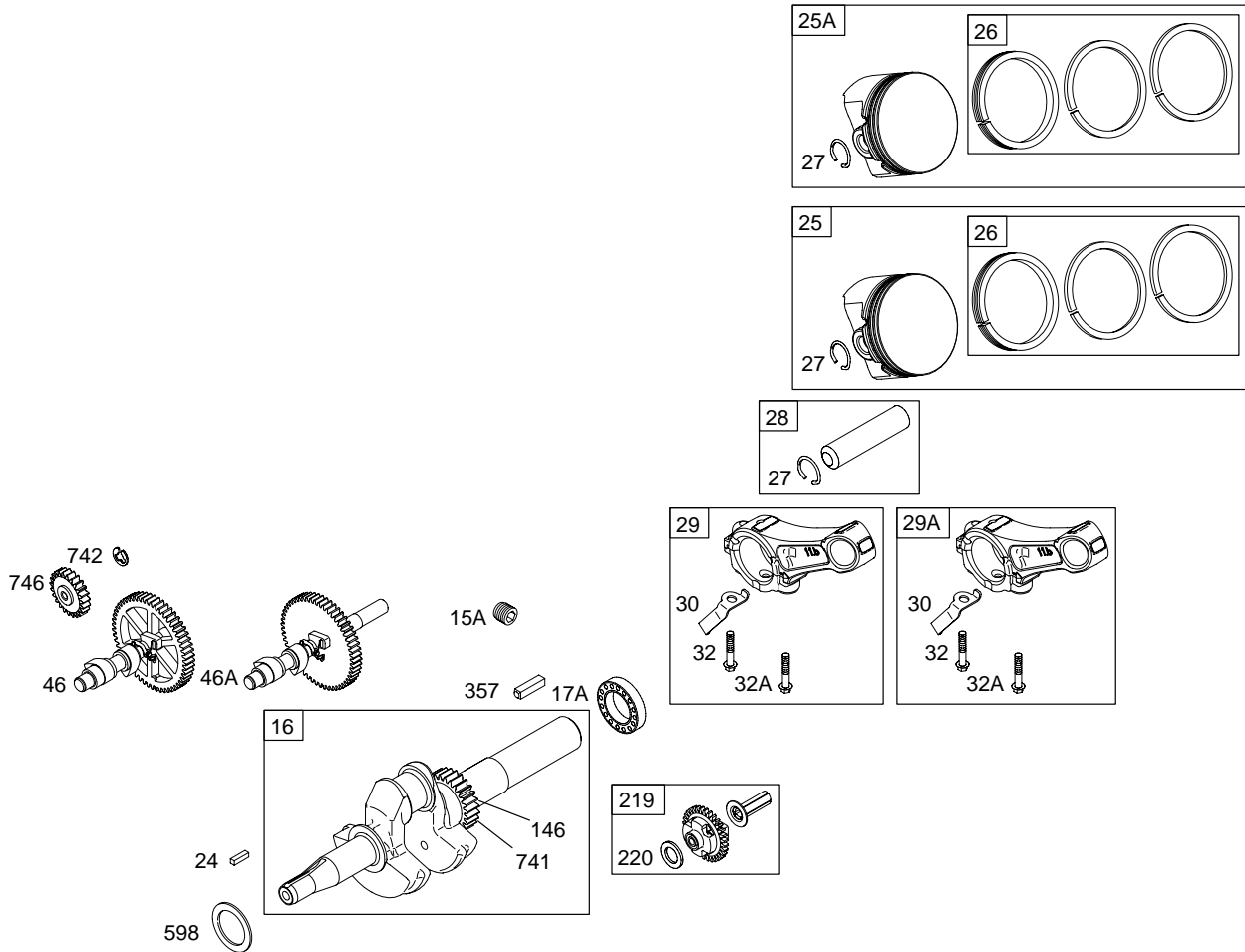
1019 LABEL KIT

1019A LABEL KIT

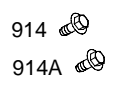
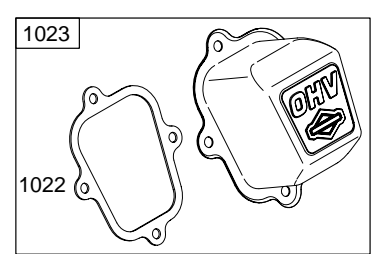
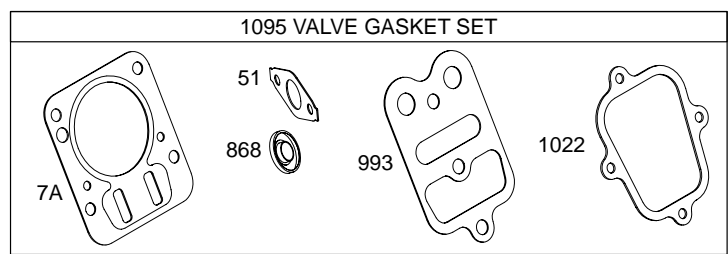
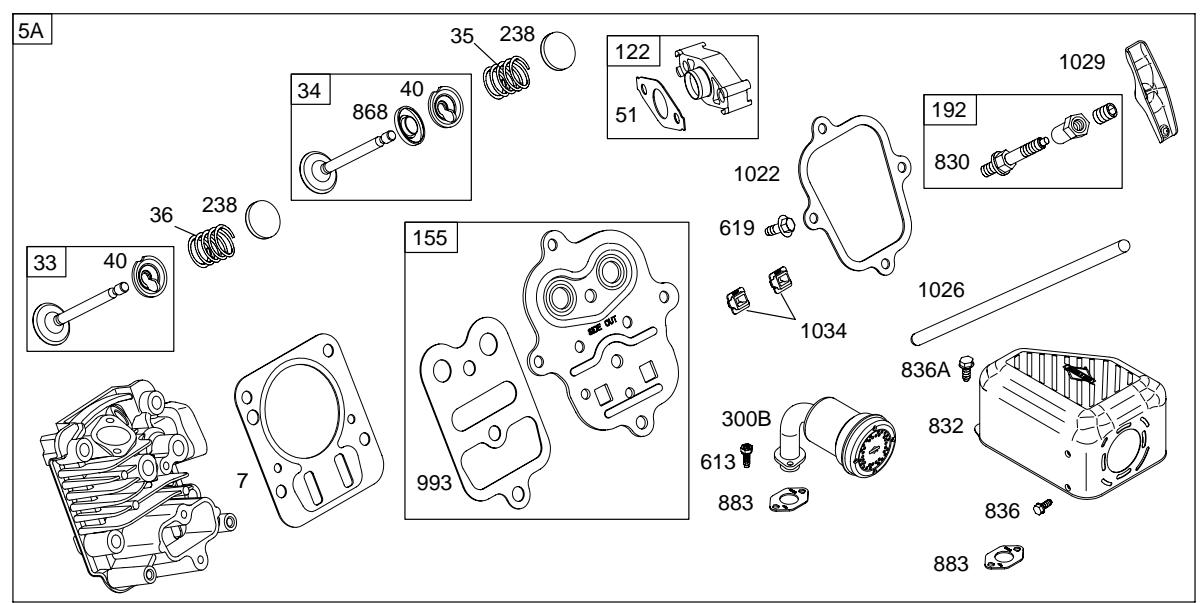
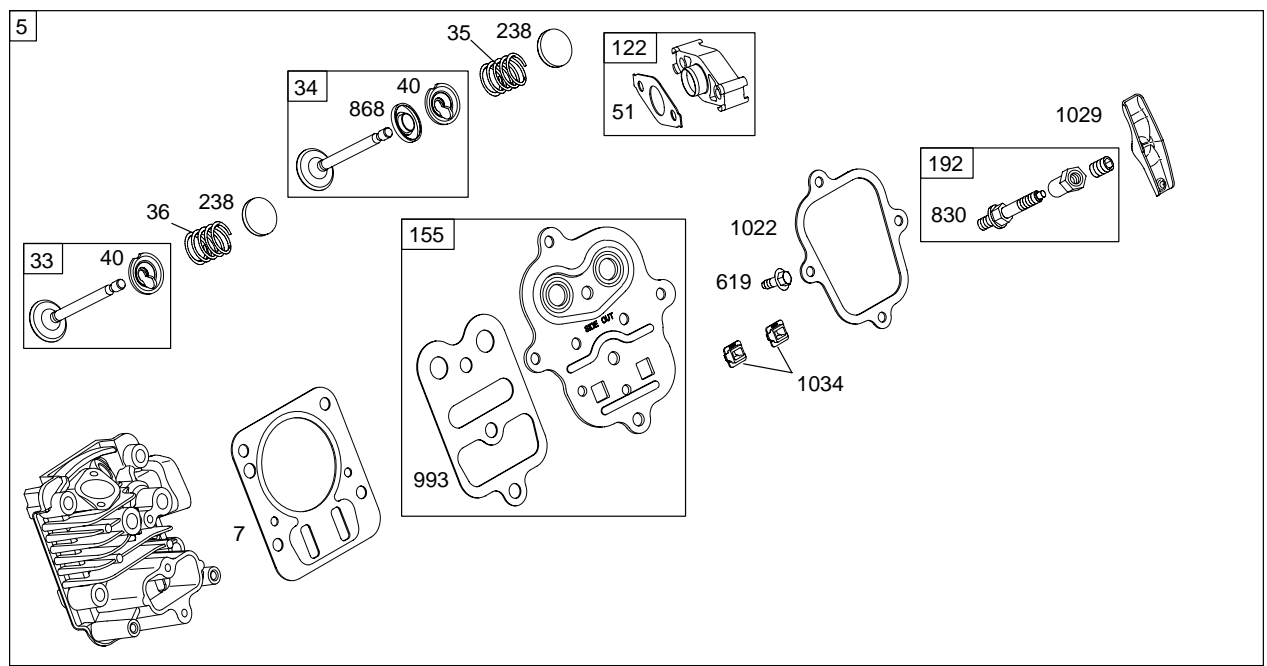
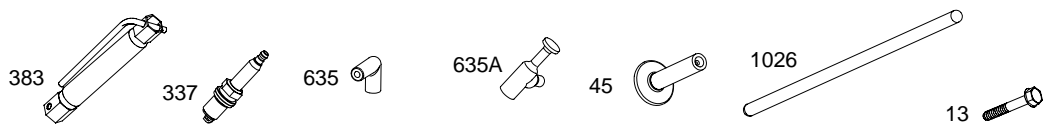
1058 OWNER'S MANUAL



Illustrations cover a range of engines. Parts shown without corresponding text may not be used on your specific engine.
 6654-2 Assemblies include all parts shown in frames. 2/14/2003

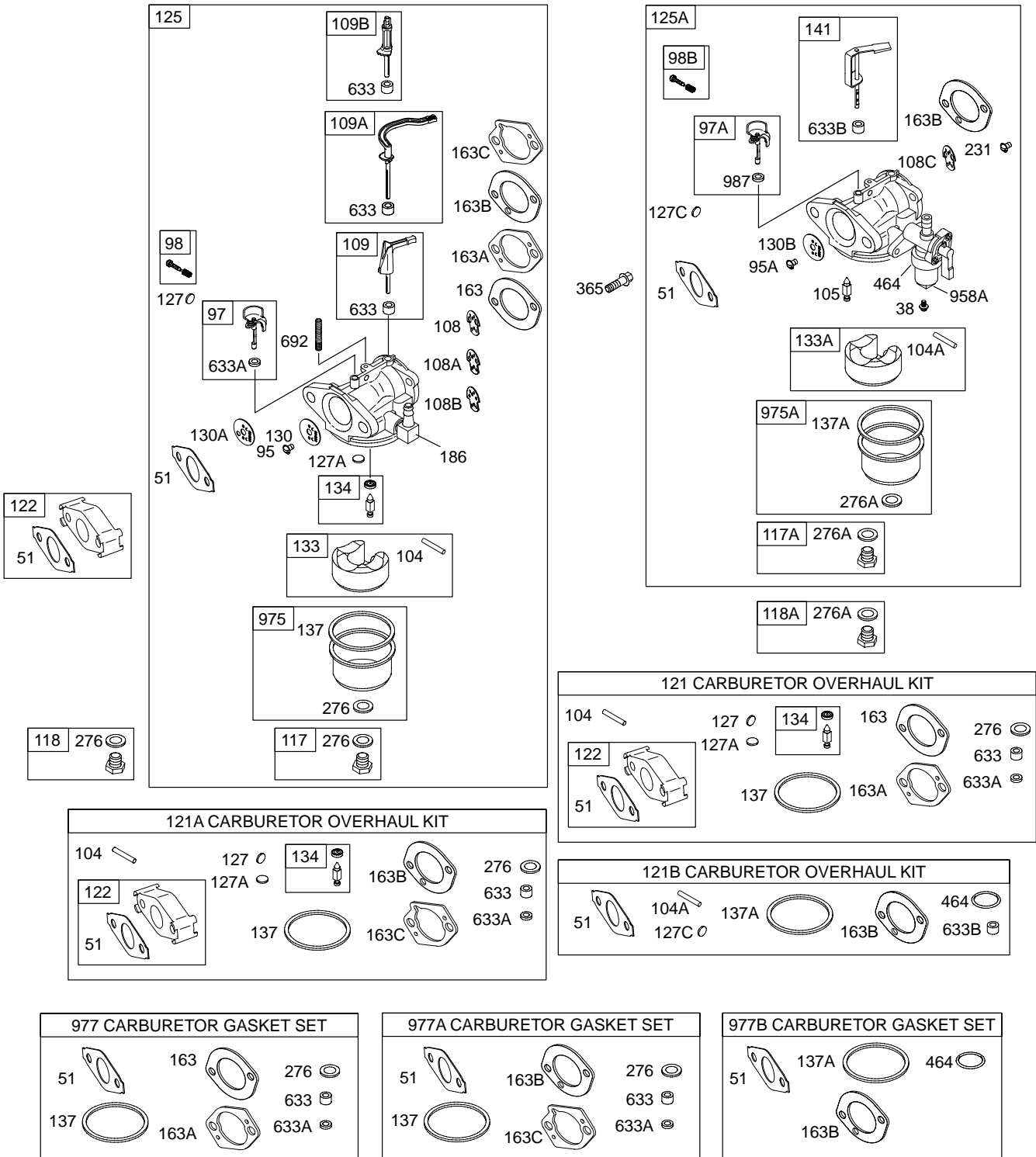


124400



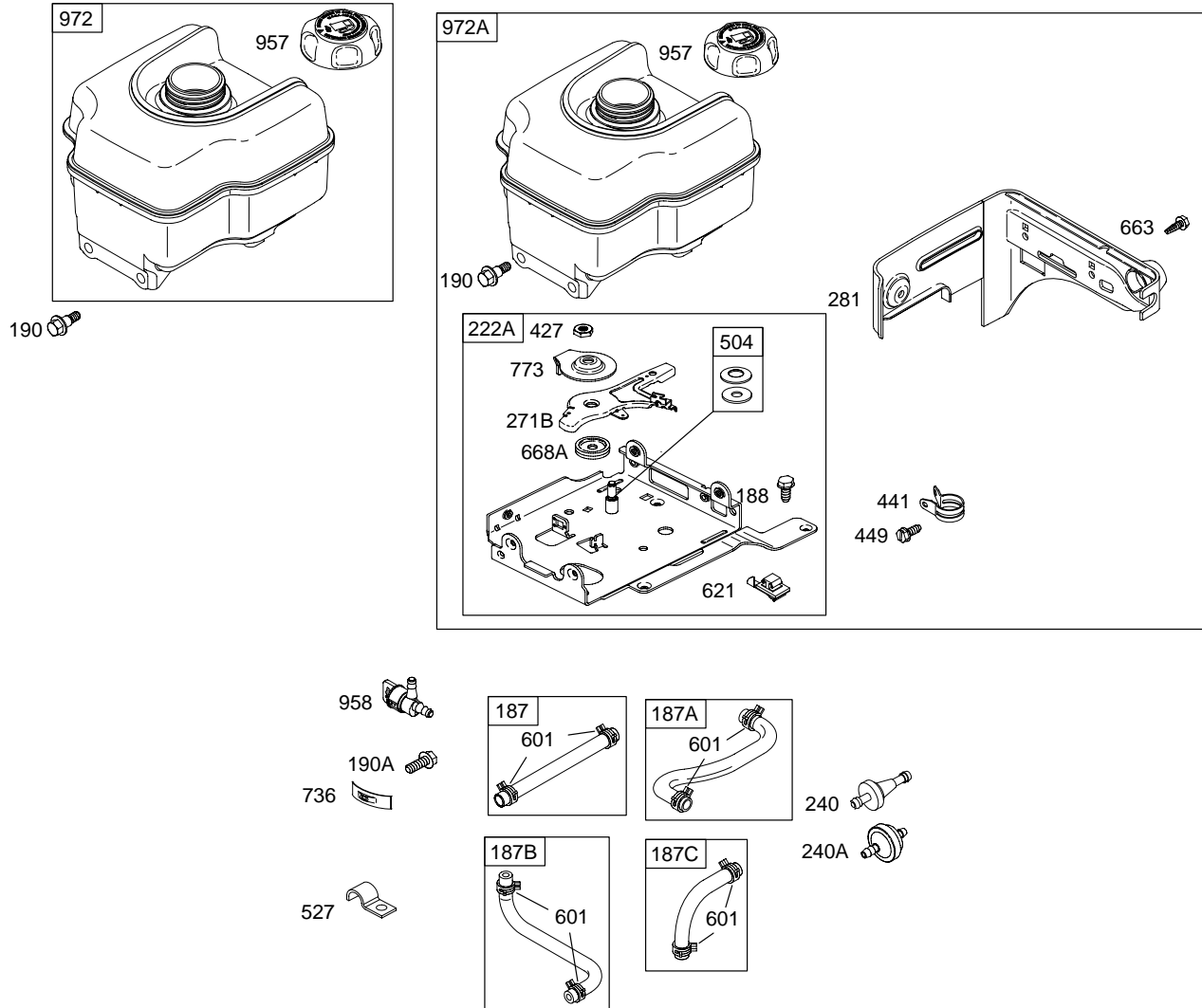
Illustrations cover a range of engines. Parts shown without corresponding text may not be used on your specific engine.
 6654-4 Assemblies include all parts shown in frames. 2/14/2003

NOTE: This Illustration Represents A Number Of Different Carburetors. Parts Shown May Not Be Included In All Kits

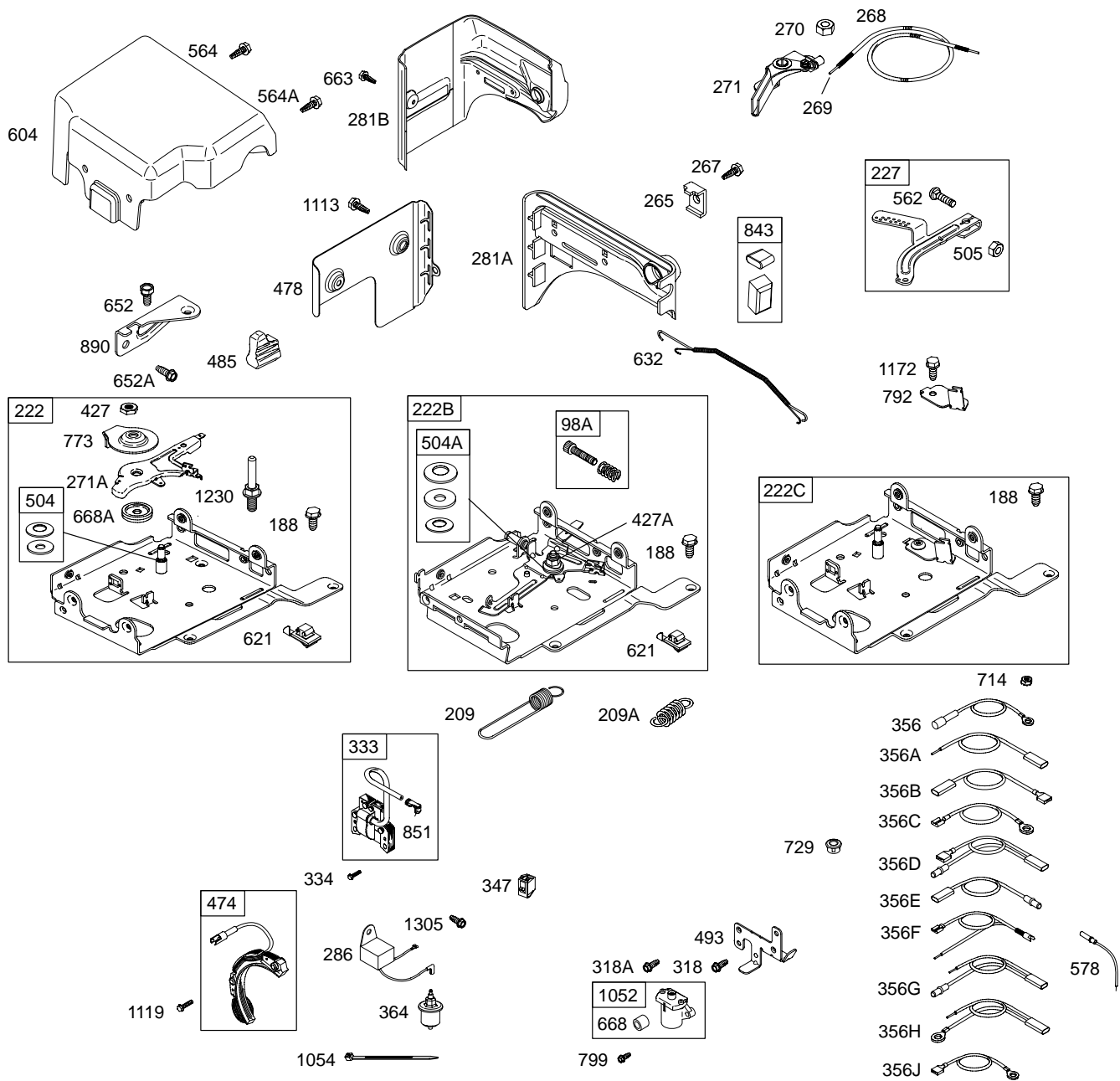


Illustrations cover a range of engines. Parts shown without corresponding text may not be used on your specific engine. 6654-5 Assemblies include all parts shown in frames. 2/14/2003

124400

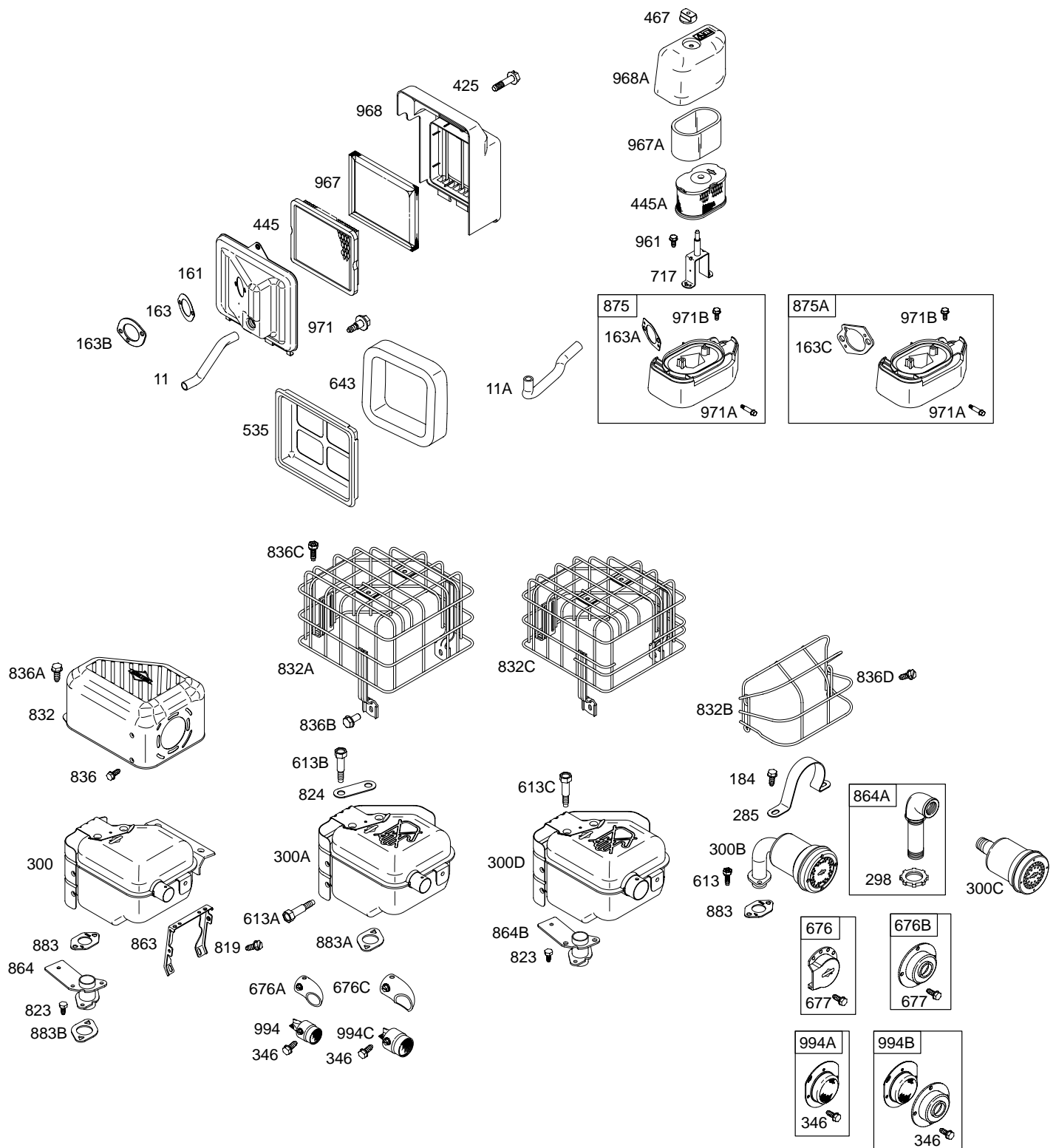


Illustrations cover a range of engines. Parts shown without corresponding text may not be used on your specific engine.
6654-6 Assemblies include all parts shown in frames. 2/14/2003

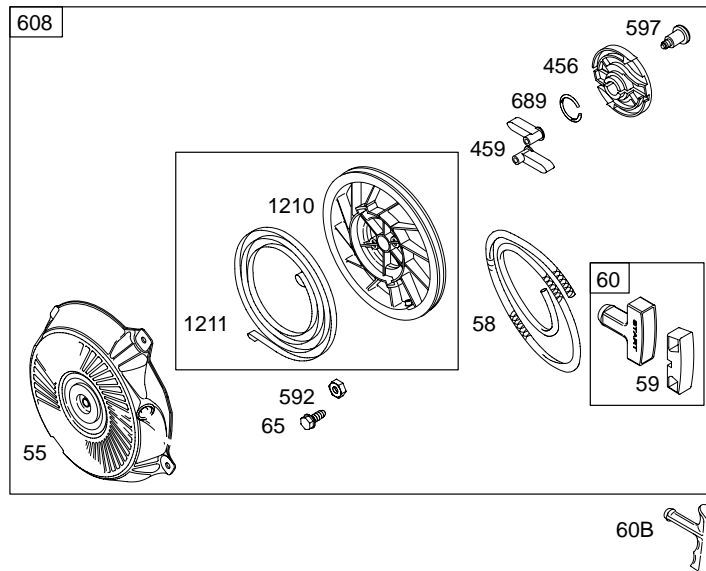
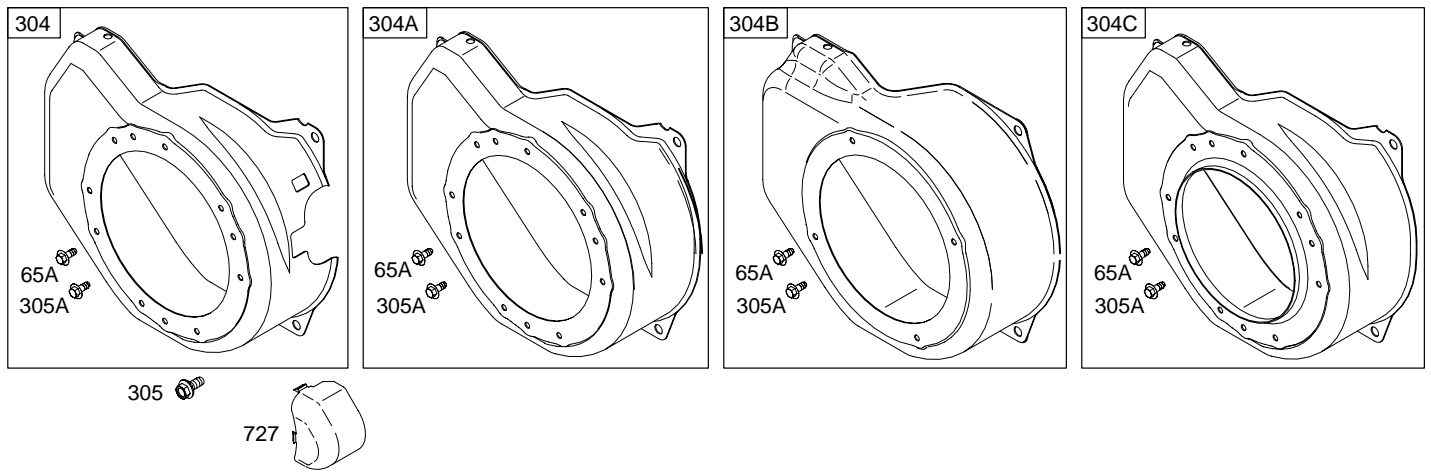
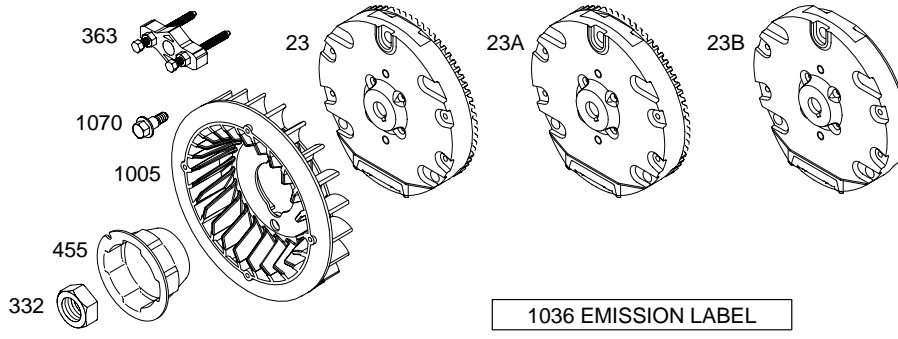


Illustrations cover a range of engines. Parts shown without corresponding text may not be used on your specific engine.
 6654-7 Assemblies include all parts shown in frames. 2/14/2003

124400

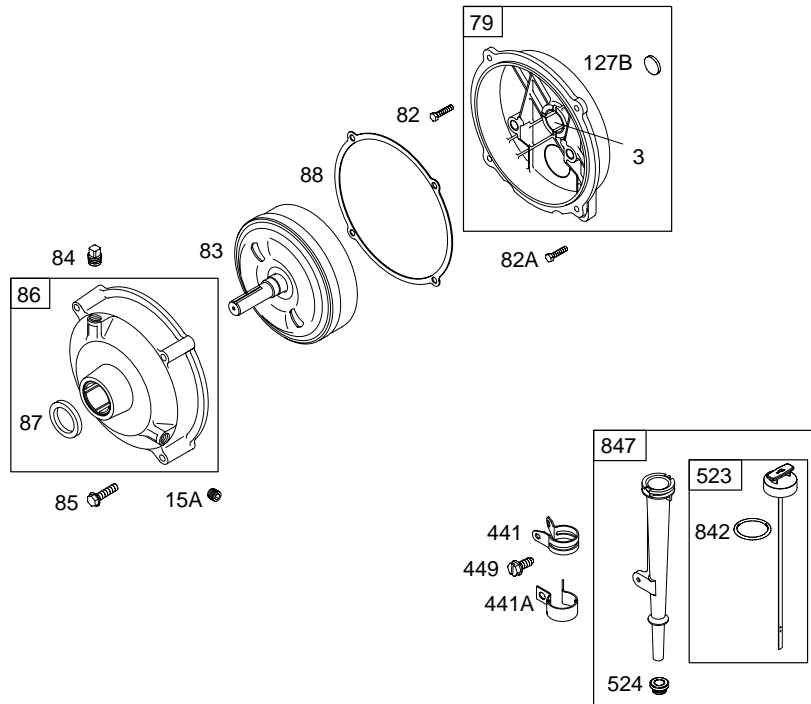
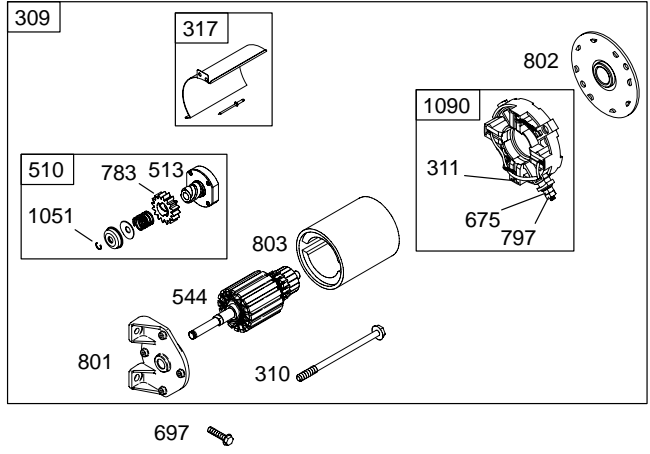


Illustrations cover a range of engines. Parts shown without corresponding text may not be used on your specific engine.
 6654-8 Assemblies include all parts shown in frames. 2/14/2003



Illustrations cover a range of engines. Parts shown without corresponding text may not be used on your specific engine.
 6654-9 Assemblies include all parts shown in frames. 2/14/2003

124400



Illustrations cover a range of engines. Parts shown without corresponding text may not be used on your specific engine.
 6654-10 Assemblies include all parts shown in frames. 2/14/2003

REF. NO.	PART NO.	DESCRIPTION	REF. NO.	PART NO.	DESCRIPTION	REF. NO.	PART NO.	DESCRIPTION
1	698813	Cylinder Assembly (Used After Code Date 02101600). Note ——— 696258 Cylinder Assembly (Used Before Code Date 02101700).	20B	*694171	Seal—Oil (PTO Side) Used on Type No(s). 0117.	45	690977	Tappet—Valve
2	399269	Kit—Bushing/Seal (Magneto Side)	21	281658	Cap—Oil Fill	46	693404	Camshaft
3	*299819	Seal—Oil (Magneto Side)	22	692551	Screw (Crankcase Cover/Sump)	51*	692555	Gasket—Intake (2 Required)
5	693643	Head—Cylinder	23B	692987	Flywheel (Rewind Start)	55	691422	Housing—Rewind Starter
7	*Ø698210	Gasket—Cylinder Head	24	222698	Key—Flywheel	58	693389	Rope—Starter (Cut to Required Length)
11	692600	Tube—Breather Note ——— 812208 Tube—Breather Used on Type No(s). 0120, 0150.	25	499627	Piston Assembly (Standard) Note ——— 692788 Piston Assembly (.010" Oversize) 692789 Piston Assembly (.020" Oversize) 692790 Piston Assembly (.030" Oversize)	59	805957	Insert—Grip
12	*692549	Gasket—Crankcase	26	499631	Ring Set (Standard) Note ——— 692785 Ring Set (.010" Oversize) 692786 Ring Set (.020" Oversize) 692787 Ring Set (.030" Oversize)	60	715257	Grip—Starter Rope (2 Piece)
13	691137	Screw (Cylinder Head)				65	690837	Screw (Rewind Starter)
15	691686	Plug—Oil Drain (Square Head)				65A	692608	Screw (Rewind Starter)
15A	691682	Plug—Oil Drain (Flush)				95	691636	Screw (Throttle Valve)
16	693403	Crankshaft Note ——— 693594 Crankshaft Used on Type No(s). 0119. 695764 Crankshaft Used on Type No(s). 0121. 698879 Crankshaft Used on Type No(s). 0117.	27	691866	Lock—Piston Pin	95A	698544	Screw (Throttle Valve) Used on Type No(s). 0120, 0150.
17	692517	Bearing—Ball	28	499423	Pin—Piston	97	690024	Shaft—Throttle
17A	690824	Bearing—Ball	29	690124	Rod—Connecting	97A	698542	Shaft—Throttle Used on Type No(s). 0120, 0150.
18A	693605	Cover—Crankcase Note ——— 698996 Cover—Crankcase Used on Type No(s). 0117.	30	692562	Dipper—Connecting Rod	98	398185	Kit—Idle Speed
20	*692550	Seal—Oil (PTO Side)	32	691664	Screw (Connecting Rod)	98B	698551	Kit—Idle Speed Used on Type No(s). 0120, 0150.
			33	499642	Valve—Exhaust	104	691242	Pin—Float Hinge
			34	499641	Valve—Intake	104A	698536	Pin—Float Hinge Used on Type No(s). 0120, 0150.
			35	691304	Spring—Valve (Intake)	105	698537	Valve—Float Needle Used on Type No(s). 0120, 0150.
			36	691304	Spring—Valve (Exhaust)	108A	691182	Valve—Choke (.223" Diameter Holes, Stamped 223471)
			38	698557	Screw (Fuel Shut Off Valve)	108B	692567	Valve—Choke (.0156" Diameter Holes, Stamped 224449)
			40	692194	Retainer—Valve	108C	698546	Valve—Choke Used on Type No(s). 0120, 0150.
						109	690023	Shaft—Choke (Straight Handle)

* Included in Engine Gasket Set—Ref. No.358.

● Included in Carburetor Overhaul Kit—Ref. No. 121 & 121A.

◆ Included in Carburetor Gasket Set—Ref. No. 977 & 977A.

Ø Included in Valve Gasket Set—Ref. No 1095.

Illustrations cover a range of engines. Parts shown without corresponding text may not be used on your specific engine.

124400

REF. NO.	PART NO.	DESCRIPTION	REF. NO.	PART NO.	DESCRIPTION	REF. NO.	PART NO.	DESCRIPTION
117	690048	Jet–Main (Standard) (Used After Code Date 02092900). Note 691428 Jet–Main (Standard) (Used Before Code Date 02093000). 691428 Jet–Main (Standard) (Used After Code Date 03012700). Used on Type No(s). 0117. 498976 Jet–Main (Standard) (Used Before Code Date 03012800). Used on Type No(s). 0117.	118A	698593	694975 Jet–Main (High Altitude) (Used Before Code Date 03012800). Jet–Main (High Altitude) Used on Type No(s). 0120. Note 698552 Jet–Main (High Altitude) Used on Type No(s). 0150.			698558 Carburetor Used on Type No(s). 0150.
117A	698670	Jet–Main (Standard) Used on Type No(s). 0120. Note 698666 Jet–Main (Standard) Used on Type No(s). 0150.	121	695157	Kit–Carburetor Overhaul	127	691739	Plug–Welch (5/16" Diameter)
118	498976	Jet–Main (High Altitude) (Used After Code Date 02092900). Note 493869 Jet–Main (High Altitude) (Used Before Code Date 02093000). 695042 Jet–Main (High Altitude) (Used After Code Date 03012700). Used on Type No(s). 0117.	121A	696998	Kit–Carburetor Overhaul (High Vent)	127A	694468	Plug–Welch (3/8" Diameter)
			121B	698567	Kit–Carburetor Overhaul Used on Type No(s). 0120, 0150.	127C	690727	Plug–Welch Used on Type No(s). 0120, 0150.
			122	693749	Spacer–Carburetor	130	691181	Valve–Throttle
			125	698474	Carburetor (Used After Code Date 02092900). Note 690046 Carburetor (Used Before Code Date 02093000). 698810 Carburetor (Used After Code Date 03012600). Used on Type No(s). 0117. 694508 Carburetor (Used Before Code Date 03012700). Used on Type No(s). 0117.	130A	691203	Valve–Throttle Used on Type No(s). 0117.
			125A	698535	Carburetor Used on Type No(s). 0120. Note	130B	698546	Valve–Throttle Used on Type No(s). 0120, 0150.
						133	398187	Float–Carburetor
						133A	698539	Float–Carburetor Used on Type No(s). 0120, 0150.
						134	398188	Kit–Needle/Seat
						137	693981	Gasket–Float Bowl
						137A	698538	Gasket–Float Bowl Used on Type No(s). 0120, 0150.
						141	698545	Kit–Choke Shaft Used on Type No(s). 0120, 0150.
						146	690979	Key–Timing
						155	698214	Plate–Cylinder Head
						161	692579	Base–Air Cleaner (Flat Panel Air Cleaner) Note 696063 Gasket–Air Cleaner (Flat Panel Air Cleaner)
						163	272948	Gasket–Air Cleaner (Flat Panel Air Cleaner)
						163B	696024	Gasket–Air Cleaner (Flat Panel Air Cleaner)

★ Included in Engine Gasket Set–Ref. No.358.

● Included in Carburetor Overhaul Kit–Ref. No. 121 & 121A.

◆ Included in Carburetor Gasket Set–Ref. No. 977 & 977A.

∅ Included in Valve Gasket Set–Ref. No 1095.

Illustrations cover a range of engines. Parts shown without corresponding text may not be used on your specific engine.

REF. NO.	PART NO.	DESCRIPTION	REF. NO.	PART NO.	DESCRIPTION	REF. NO.	PART NO.	DESCRIPTION		
186	692317	Connector-Hose	270	691027	Nut (Control Wire Casing)	305	690960	Screw (Blower Housing)		
187	691050	Line-Fuel (Straight) (Cut to Required Length)	271	691028	Lever-Control	305A	691140	Screw (Blower Housing)		
187B	693401	Line-Fuel (Molded)	271B	694256	Lever-Control (Control Bracket)	306	693610	Shield-Cylinder		
187C	694486	Line-Fuel (Molded)	276	◆271716	Washer-Sealing	307	690345	Screw (Cylinder Shield)		
188	690877	Screw (Control Bracket)	276A	698540	Washer-Sealing Used on Type No(s). 0120, 0150.	332	690662	Nut (Flywheel)		
190	692127	Screw (Fuel Tank)	281	694252	Panel-Control	333	695711	Armature-Magneto		
192	694543	Adjustor-Rocker Arm	300A	694429	Muffler (Super Lo Tone) (Used Before Code Date 02031800).	334	691061	Screw (Magneto Armature)		
209	692571	Spring-Governor (Silver)			337	491055	Plug-Spark ----- Note -----			
		----- Note -----					691043	Plug-Spark Used on Type No(s). 0115, 0117.		
		693206 Spring-Governor (Yellow) Used on Type No(s). 0117, 0119.	300B	693593	Muffler (Lo Tone)	346	690661	Screw (Spark Arrester)		
			300D	697813	Muffler (Used After Code Date 02031700). Used on Type No(s). 0110, 0117, 0121, 0150.	347	692599	Switch-Rocker (2 Times, ON/OFF Marking, 2 Position, Non-Lighted)		
209A	691278	Spring-Governor				356A	692390	Stop Wire (1 Wire, 17" Long) (Snap Connect Insulated Female Blade Terminal, And Bare Wire End)		
219	693578	Gear-Governor	304A	697909	Housing-Blower (Black) (Used After Code Date 02021400). Used on Type No(s). 0116, 0117, 0119.			356B	692602	Stop Wire (1 Wire, 14" Long) (Snap Connect Insulated Female Blade Terminal, And Insulated Push-On Female Blade Terminal)
220	691724	Washer (Governor Gear)			----- Note -----			356C	695630	Stop Wire (1 Wire, 6-1/2" Long) (Push-On Female Blade Terminal, And Ring Terminal)
222A	694253	Bracket-Control			697911					
222C	696288	Bracket-Control			697911	Housing- Blower (Black) (Used After Code Date 02021400). Used on Type No(s). 0110, 0111, 0115, 0118, 0120, 0121, 0150.				
227	692573	Lever-Governor Control			693621	Housing- Blower (Black) (Used Before Code Date 02021500).				
231	690718	Screw (Choke Valve) Used on Type No(s). 0120, 0150.								
238	691300	Cap-Valve								
240	694485	Filter-Fuel								
265	691024	Clamp-Casing								
267	692577	Screw (Casing Clamp)								
268	691025	Casing-Control Wire (72" Long) (Cut to Required Length)								
269	691026	Wire-Control (78" Long) (Cut to Required Length)								

★ Included in Engine Gasket Set-Ref. No.358.

● Included in Carburetor Overhaul Kit-Ref. No. 121 & 121A.

◆ Included in Carburetor Gasket Set-Ref. No. 977 & 977A.

∅ Included in Valve Gasket Set-Ref. No 1095.

Illustrations cover a range of engines. Parts shown without corresponding text may not be used on your specific engine.

124400

REF. NO.	PART NO.	DESCRIPTION	REF. NO.	PART NO.	DESCRIPTION	REF. NO.	PART NO.	DESCRIPTION
358	695155	Gasket Set—Engine	592	690800	Nut (Rewind Starter)	635	692076	Boot—Spark Plug
358A	697000	Gasket Set—Engine (High Vent)	597	691696	Screw (Pawl Friction Plate)	635A	692927	Boot—Spark Plug
363	19069	Flywheel Puller	598	220624	Shim—End Play	643	696264	Retainer—Air Filter
365	692568	Screw (Carburetor)	601	95162	Clamp—Hose	652	691108	Screw (Support Bracket)
383	19374	Wrench—Spark Plug	608	693394	Starter—Rewind	652A	695629	Screw (Support Bracket)
415	693463	Plug (Crankcase Cover/ Sump)	613	691665	Screw (Muffler)	663	694593	Screw (Control Panel)
425	692583	Screw (Air Cleaner Cover)	613A	694460	Screw (Muffler)	668A	694257	Spacer (Control Bracket)
427	694255	Nut (Control Bracket)	613B	691108	Screw (Muffler)	676B	395700	Deflector—Muffler
445	491588	Filter—Air Cleaner Cartridge (Flat Panel)	613C	697812	Screw (Muffler)	677	690661	Screw (Muffler Deflector)
455	692591	Cup—Flywheel			(Used After Code Date 02031700). Used on Type No(s). 0110, 0117, 0121, 0150.	689	691855	Spring—Friction (Rewind Starter)
456	692299	Plate—Pawl Friction	615	692576	Retainer—Governor Shaft	692	690572	Spring—Detent (Carburetor)
459	281505	Pawl—Ratchet	616	692547	Crank—Governor	718	690959	Pin—Locating
464	◆698550	Seal—O Ring (Fuel Shut Off Valve)	619	691108	Screw (Cylinder Head Plate)	741	695087	Gear—Timing
504	694254	Washer Set—Friction	621	692310	Switch—Stop	742	692564	Retainer—E Ring (Idler Gear)
505	691251	Nut (Governor Control Lever)	632	693408	Spring/Link— Mechanical Governor	746	692566	Gear—Idler
535	696263	Filter—Air Cleaner Foam	633	◆693867	Seal—Choke/Throttle Shaft	773	694258	Retainer (Control Bracket)
552	692346	Bushing—Governor Crank	633A	◆691321	Seal—Choke/Throttle Shaft	819	691685	Screw (Muffler Bracket)
562	94852	Bolt (Governor Control Lever)	633B	◆690998	Seal—Choke/Throttle Shaft	823	691665	Screw (Muffler Adapter)
						824	696017	Gasket—Heat Shield (Used Before Code Date 02031800).
						830	694544	Stud (Rocker Arm)

★ Included in Engine Gasket Set—Ref. No.358.

● Included in Carburetor Overhaul Kit—Ref. No. 121 & 121A.

◆ Included in Carburetor Gasket Set—Ref. No. 977 & 977A.

∅ Included in Valve Gasket Set—Ref. No 1095.

Illustrations cover a range of engines. Parts shown without corresponding text may not be used on your specific engine.

6654—14

Assemblies include all parts shown in frames.

2/14/2003

124400

REF. NO.	PART NO.	DESCRIPTION	REF. NO.	PART NO.	DESCRIPTION	REF. NO.	PART NO.	DESCRIPTION
832	693583	Guard-Muffler	914	697551	Screw (Rocker Cover) (Used After Code Date 02031000).	977A	697001	Gasket Set-Carburetor (High Vent)
832A	694459	Guard-Muffler				977B	698568	Gasket Set-Carburetor Used on Type No(s). 0120, 0150.
832C	697818	Guard-Muffler						
836	690661	Screw (Muffler Guard)			Note	987	698556	Seal-Throttle Shaft Used on Type No(s). 0120, 0150.
836A	693624	Screw (Muffler Guard)			692198	Screw (Rocker Cover) (Used Before Code Date 02031100).		
836B	691003	Screw (Muffler Guard)	914A	692557	Screw (Rocker Cover)	993	★Ø694088	Gasket-Cylinder Head Plate
836C	691665	Screw (Muffler Guard)	957	694261	Cap-Fuel Tank (Plastic)	994A	399541	Arrestor-Spark
851	493880	Terminal-Spark Plug	958	692586	Valve-Fuel Shut Off (Plastic)	1005	692592	Fan-Flywheel
863	692596	Bracket-Muffler	958A	698549	Valve-Fuel Shut Off Used on Type No(s). 0120, 0150.	1019A	694852	Kit-Label
864	694430	Adapter-Muffler	967	493537	Filter-Pre Cleaner (Flat Panel)	1022	★Ø691890	Gasket-Rocker Cover
864B	697814	Adapter-Muffler (Used After Code Date 02031700). Used on Type No(s). 0110, 0117, 0121, 0150.	968	692584	Cover-Air Cleaner (Flat Panel Air Cleaner)	1023	499924	Cover-Rocker Arm
868	★Ø692044	Seal-Valve	971	690370	Screw (Air Cleaner Base)	1026	693517	Rod-Push
883	691893	Gasket-Exhaust (Adapter to Cylinder)	972	694260	Tank-Fuel	1029	691230	Arm-Rocker
883A	697815	Gasket-Exhaust (Used After Code Date 02031700). Used on Type No(s). 0110, 0117, 0121, 0150.	975	493640	Bowl-Float	1034	691343	Guide-Push Rod
890	694933	Bracket-Support	975A	698541	Bowl-Float Used on Type No(s). 0120, 0150.	1036	697004	Label-Emission
			977	695156	Gasket Set-Carburetor	1054	280275	Tie-Cable
						1058	275092	Owner's Manual (Emission Engines)
						1070	692590	Screw (Flywheel Fan)
						1095	695289	Gasket Set-Valve
						1210	498144	Pulley/Spring Assembly (Pulley)
						1211	498144	Pulley/Spring Assembly (Spring)

★ Included in Engine Gasket Set-Ref. No.358.

● Included in Carburetor Overhaul Kit-Ref. No. 121 & 121A.

◆ Included in Carburetor Gasket Set-Ref. No. 977 & 977A.

Ø Included in Valve Gasket Set-Ref. No 1095.

Illustrations cover a range of engines. Parts shown without corresponding text may not be used on your specific engine.

6654-15

Assemblies include all parts shown in frames.

2/14/2003